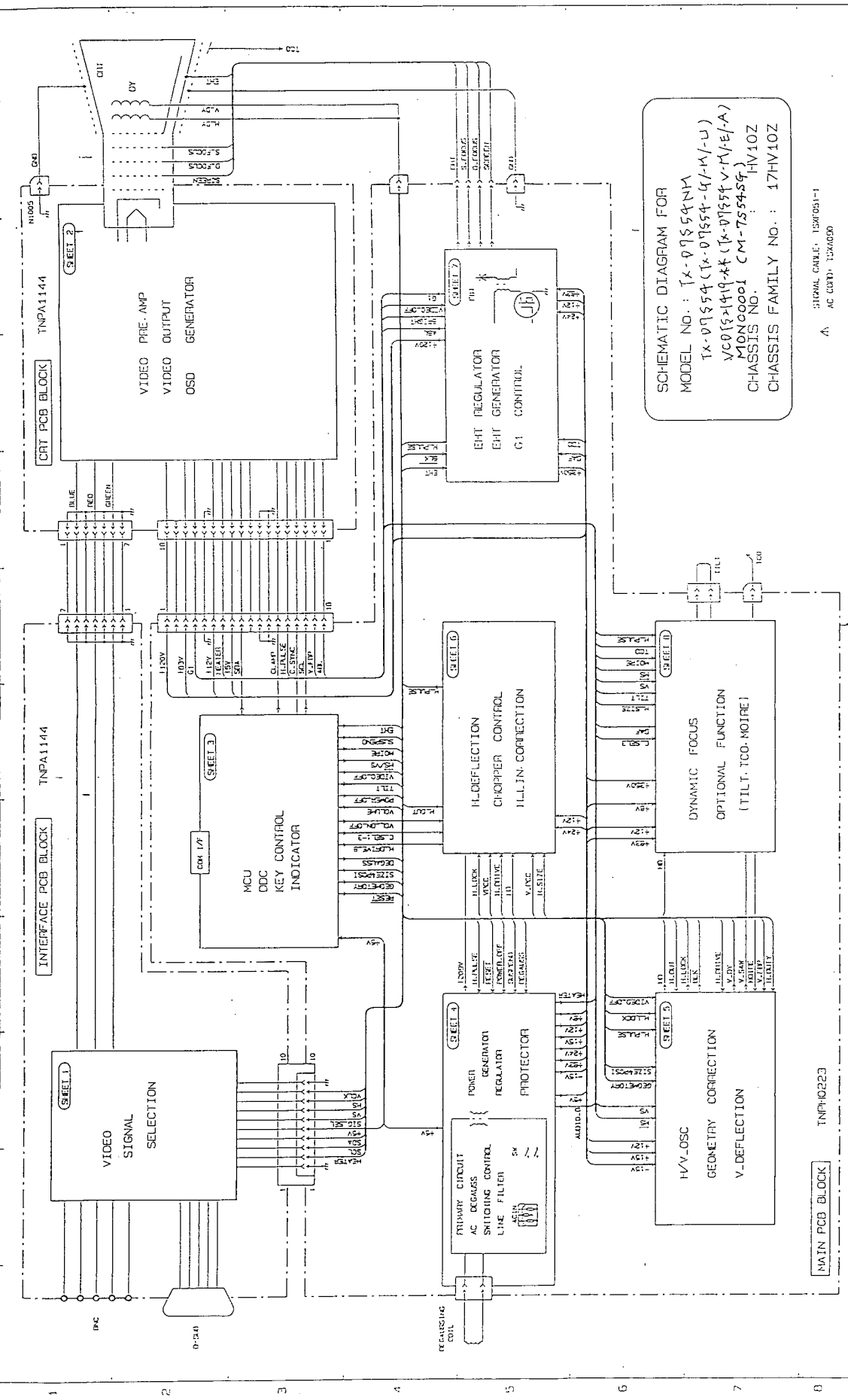


A B C D E F G H I J K L

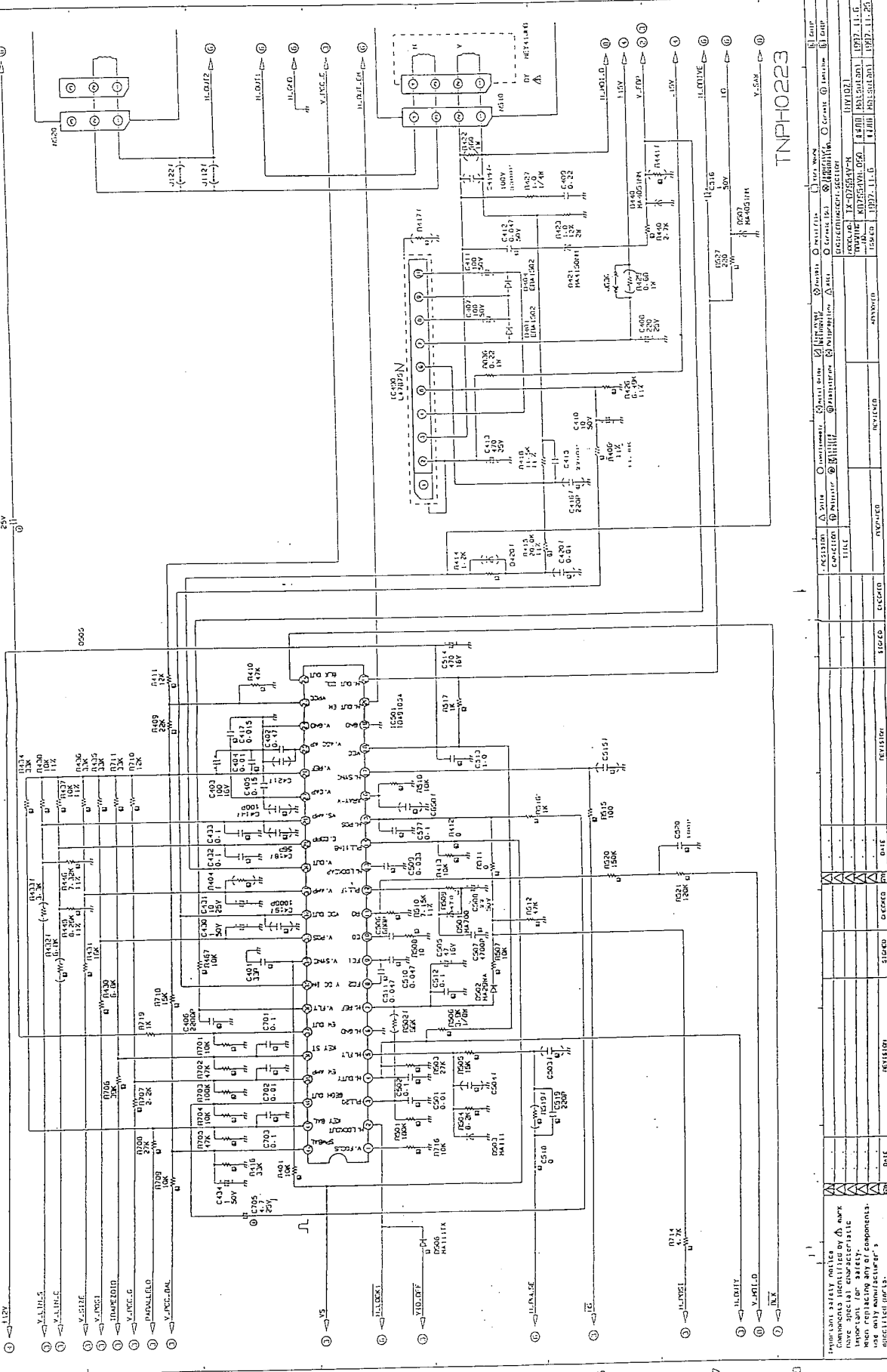


SCHEMATIC DIAGRAM FOR
 MODEL NO.: TX-07554NM
 TX-07554 (TX-07554-4/-M/-U)
 VC0151419-44 (TX-07554V-M/E/-A)
 MONO0001 CM-7554S9
 CHASSIS NO.: HV10Z
 CHASSIS FAMILY NO.: 17HV10Z

SIGNAL CABLE: 15W0031-1
 AC CORD: 15W0000

NO.	DATE	REVISION	BY	CHKD	APP'D
1					
2					
3					
4					
5					
6					
7					
8					

TITLE: MAIN PCB BLOCK
 DRAWN: H. Sasaki
 CHECKED: H. Sasaki
 APPROVED: H. Sasaki
 DATE: 1977-11-3
 PART NO.: 15W0000



TNPH0223

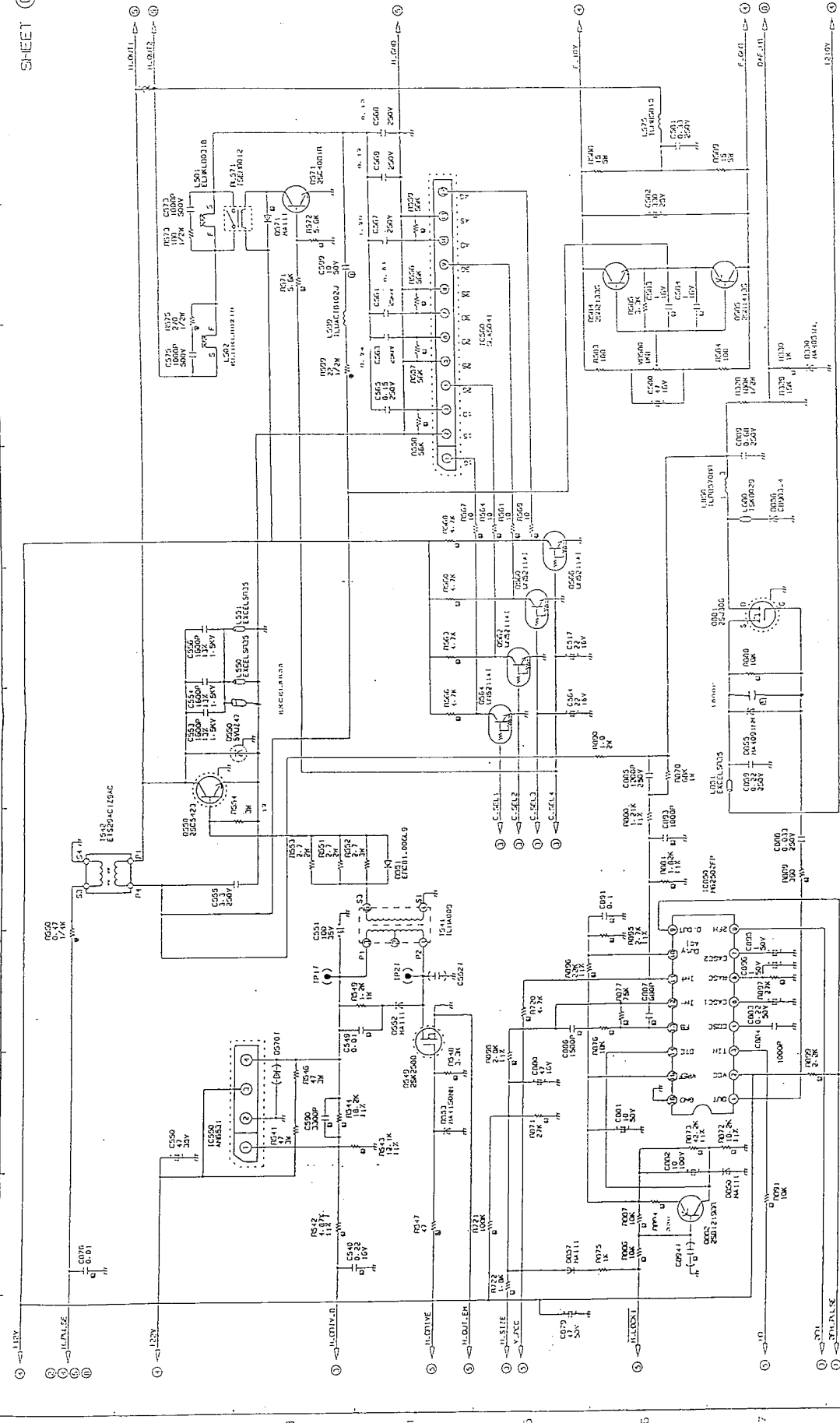
REVISION	DATE	BY	CHKD	APPR	DESCRIPTION
1					INITIAL DESIGN
2					REVISED
3					REVISED
4					REVISED
5					REVISED
6					REVISED
7					REVISED
8					REVISED

NO.	DATE	BY	CHKD	APPR	DESCRIPTION
1					INITIAL DESIGN
2					REVISED
3					REVISED
4					REVISED
5					REVISED
6					REVISED
7					REVISED
8					REVISED

NO.	DATE	BY	CHKD	APPR	DESCRIPTION
1					INITIAL DESIGN
2					REVISED
3					REVISED
4					REVISED
5					REVISED
6					REVISED
7					REVISED
8					REVISED

MATSUSHITA ELECTRIC INDUSTRIAL CO., LTD.

Important safety notices
 Components identified by Δ, mark
 components which are critical
 for safety. Particular care must be
 taken when replacing any of components.
 Use only manufacturer's
 specified parts.

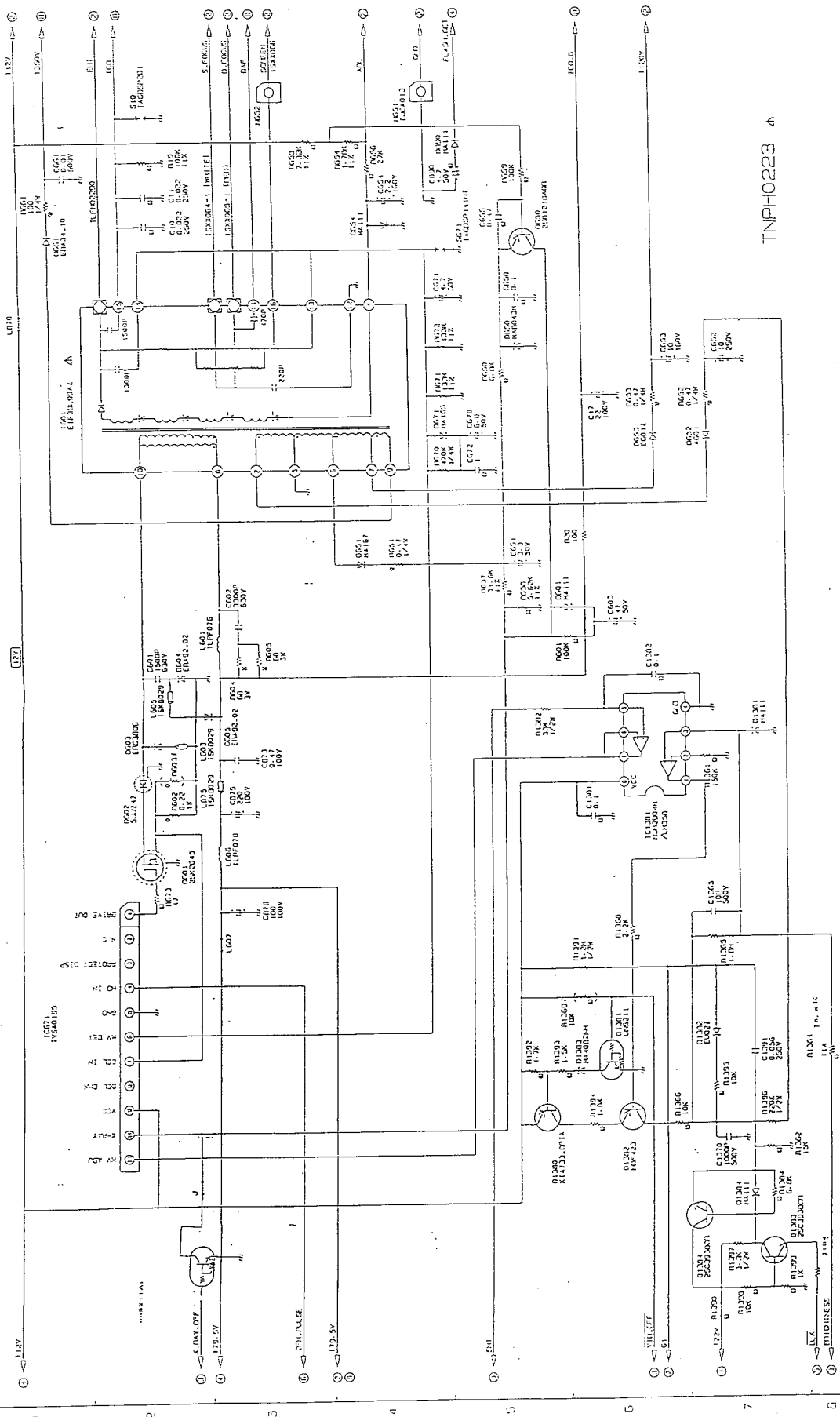


TNP-0223

NO.	DATE	REVISION	BY	CHKD.	APP'D.
1					
2					
3					
4					
5					
6					
7					
8					
9					
10					
11					
12					
13					
14					
15					
16					
17					
18					
19					
20					

MATSUSHITA ELECTRIC INDUSTRIAL CO., LTD.

IMPORTANT SAFETY NOTICE
 This schematic diagram is for reference only. It does not constitute a contract. The user is responsible for safety when replacing any of the components.
 MATSUSHITA ELECTRIC INDUSTRIAL CO., LTD.

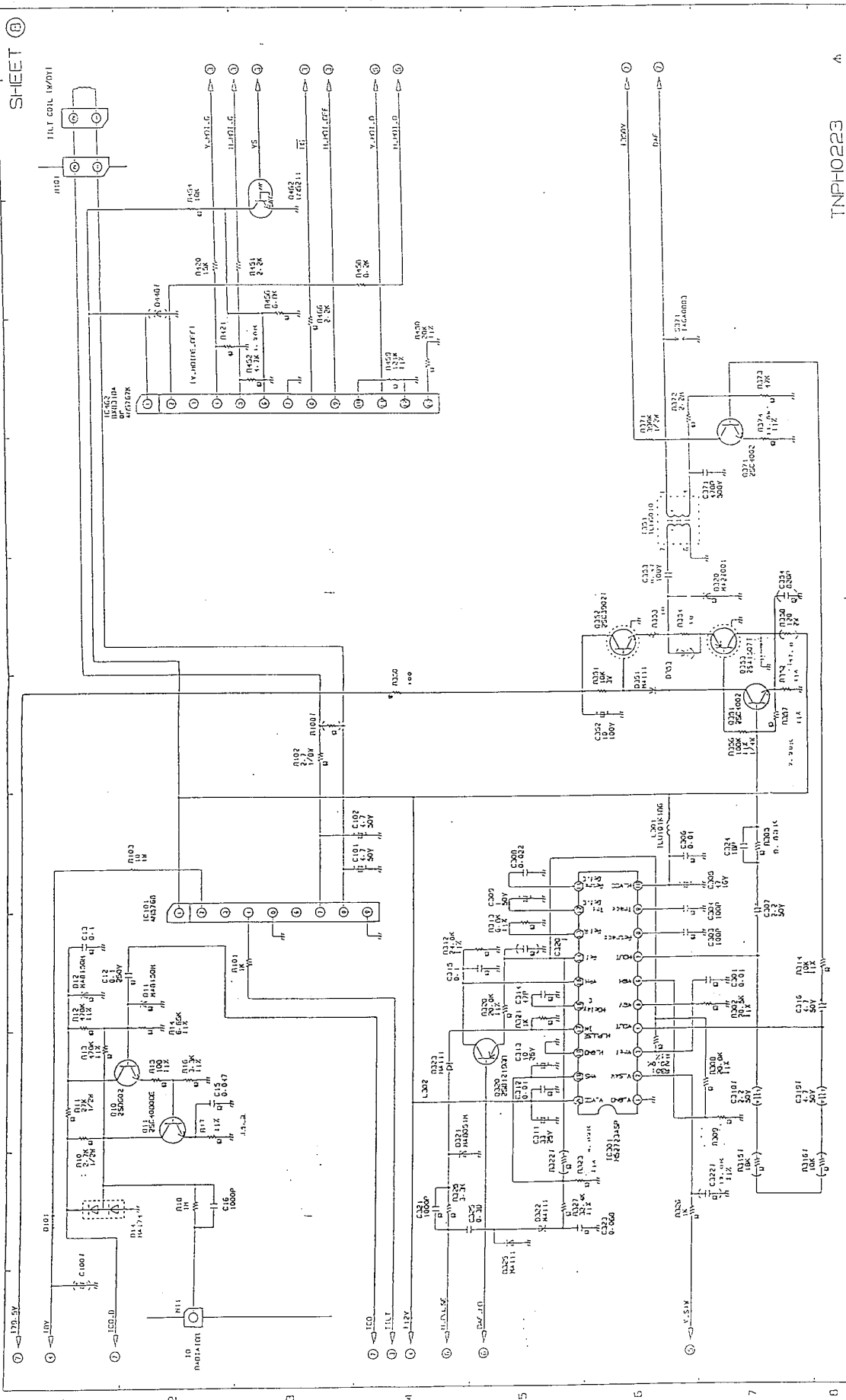


TNPH0223 A

REV.	DATE	REVISION	BY	CHKD.	APPROVED	DESCRIPTION
1	1977.11.5					
2	1977.11.5					
3	1977.11.5					
4	1977.11.5					
5	1977.11.5					
6	1977.11.5					
7	1977.11.5					
8	1977.11.5					
9	1977.11.5					
10	1977.11.5					
11	1977.11.5					
12	1977.11.5					
13	1977.11.5					
14	1977.11.5					
15	1977.11.5					
16	1977.11.5					
17	1977.11.5					
18	1977.11.5					
19	1977.11.5					
20	1977.11.5					
21	1977.11.5					
22	1977.11.5					
23	1977.11.5					
24	1977.11.5					
25	1977.11.5					
26	1977.11.5					
27	1977.11.5					
28	1977.11.5					
29	1977.11.5					
30	1977.11.5					
31	1977.11.5					
32	1977.11.5					
33	1977.11.5					
34	1977.11.5					
35	1977.11.5					
36	1977.11.5					
37	1977.11.5					
38	1977.11.5					
39	1977.11.5					
40	1977.11.5					
41	1977.11.5					
42	1977.11.5					
43	1977.11.5					
44	1977.11.5					
45	1977.11.5					
46	1977.11.5					
47	1977.11.5					
48	1977.11.5					
49	1977.11.5					
50	1977.11.5					
51	1977.11.5					
52	1977.11.5					
53	1977.11.5					
54	1977.11.5					
55	1977.11.5					
56	1977.11.5					
57	1977.11.5					
58	1977.11.5					
59	1977.11.5					
60	1977.11.5					
61	1977.11.5					
62	1977.11.5					
63	1977.11.5					
64	1977.11.5					
65	1977.11.5					
66	1977.11.5					
67	1977.11.5					
68	1977.11.5					
69	1977.11.5					
70	1977.11.5					
71	1977.11.5					
72	1977.11.5					
73	1977.11.5					
74	1977.11.5					
75	1977.11.5					
76	1977.11.5					
77	1977.11.5					
78	1977.11.5					
79	1977.11.5					
80	1977.11.5					
81	1977.11.5					
82	1977.11.5					
83	1977.11.5					
84	1977.11.5					
85	1977.11.5					
86	1977.11.5					
87	1977.11.5					
88	1977.11.5					
89	1977.11.5					
90	1977.11.5					
91	1977.11.5					
92	1977.11.5					
93	1977.11.5					
94	1977.11.5					
95	1977.11.5					
96	1977.11.5					
97	1977.11.5					
98	1977.11.5					
99	1977.11.5					
100	1977.11.5					

MATSUSHITA ELECTRIC INDUSTRIAL CO., LTD.

100% LOW VOLTAGE
ELECTRONICS IDENTIFIED BY THE NAME
HAVE SPECIAL CHARACTERISTIC
WHEN RELYING ON ANY COMPONENTS,
USE ONLY MANUFACTURER'S
FUNCTIONAL PARTS.



TNP-H0223

REVISION	NO.	DATE	BY	CHKD.	DESCRIPTION
REVISION	1				
REVISION	2				
REVISION	3				
REVISION	4				
REVISION	5				
REVISION	6				
REVISION	7				
REVISION	8				
REVISION	9				
REVISION	10				
REVISION	11				
REVISION	12				
REVISION	13				
REVISION	14				
REVISION	15				
REVISION	16				
REVISION	17				
REVISION	18				
REVISION	19				
REVISION	20				
REVISION	21				
REVISION	22				
REVISION	23				
REVISION	24				
REVISION	25				
REVISION	26				
REVISION	27				
REVISION	28				
REVISION	29				
REVISION	30				
REVISION	31				
REVISION	32				
REVISION	33				
REVISION	34				
REVISION	35				
REVISION	36				
REVISION	37				
REVISION	38				
REVISION	39				
REVISION	40				
REVISION	41				
REVISION	42				
REVISION	43				
REVISION	44				
REVISION	45				
REVISION	46				
REVISION	47				
REVISION	48				
REVISION	49				
REVISION	50				
REVISION	51				
REVISION	52				
REVISION	53				
REVISION	54				
REVISION	55				
REVISION	56				
REVISION	57				
REVISION	58				
REVISION	59				
REVISION	60				
REVISION	61				
REVISION	62				
REVISION	63				
REVISION	64				
REVISION	65				
REVISION	66				
REVISION	67				
REVISION	68				
REVISION	69				
REVISION	70				
REVISION	71				
REVISION	72				
REVISION	73				
REVISION	74				
REVISION	75				
REVISION	76				
REVISION	77				
REVISION	78				
REVISION	79				
REVISION	80				
REVISION	81				
REVISION	82				
REVISION	83				
REVISION	84				
REVISION	85				
REVISION	86				
REVISION	87				
REVISION	88				
REVISION	89				
REVISION	90				
REVISION	91				
REVISION	92				
REVISION	93				
REVISION	94				
REVISION	95				
REVISION	96				
REVISION	97				
REVISION	98				
REVISION	99				
REVISION	100				

MATSUSHITA ELECTRIC INDUSTRIAL CO., LTD.

Important safety notice:
 Components identified by a mark
 in this diagram are subject to strict
 inspection for safety.
 When replacing any of components,
 specified parts.