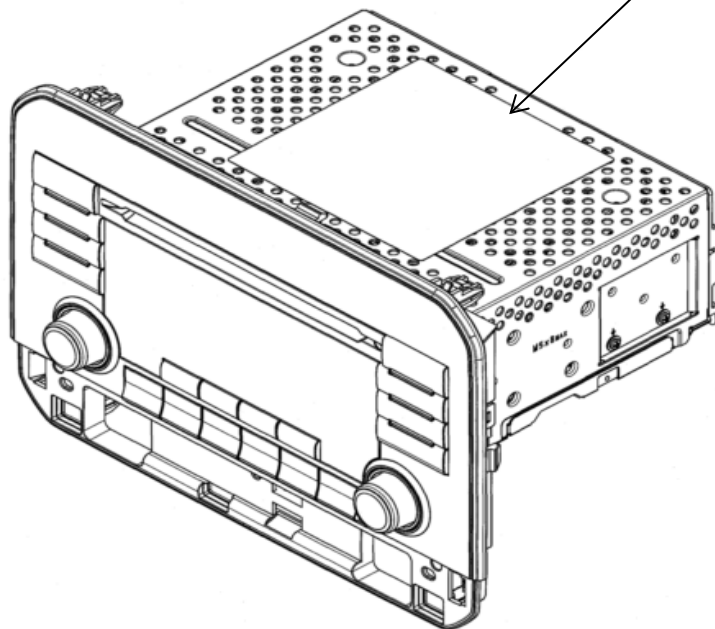


Label location

Label on the top of Audio device



AZ1601 Label

Model No. CQ-JZ06G0JT	DC 13.2V  Negative Ground
Ref.No. 39101-62R60	Speaker 4Ω 
Set.No. AZ1601	Complies with IDA Standards DA107248
ID.No. 62R0	
Panasonic Automotive Systems Asia Pacific Co.,Ltd. Made in Thailand	
Serial No. 	FREQUENCY RANGE 
	AM:531kHz to 1629kHz
	FM:87.5MHz to 108.0MHz
	OMAN-TRA
	R/3086/16
	0099924
	
	 10R-05_9252
 CCAB16LP0640T9	TRA REGISTERED No: ER45345/16 DEALER No: DA-0052708/10
FCC ID : ACJ932AZ1601 This device complies with part 15 of the FCC Rules. Operation is subject to the following two conditions: 1) This device may not cause harmful interference, and 2) this device must accept any interference received, including interference that may cause undesired operation.	
	