

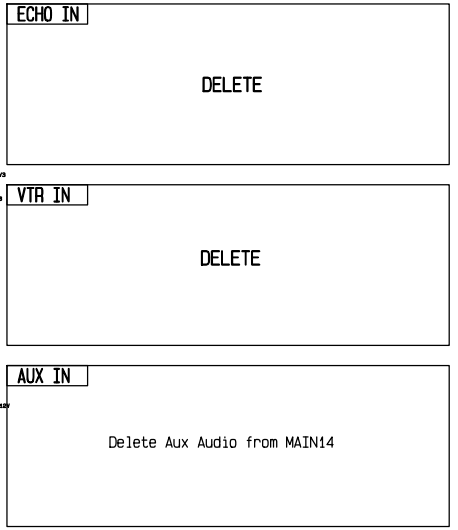
DSP(AMIG03.5)  
Refer from CYCLE2020

Pin154、155は配線差10mm以内、配線長150mm以内

Delete Aux Audio

Sym.	Item or Parts No.	Name	Qty	Material & Size	Treatment	Remark
------	-------------------	------	-----	-----------------	-----------	--------

CN6003端子→Amigo端子接続説明



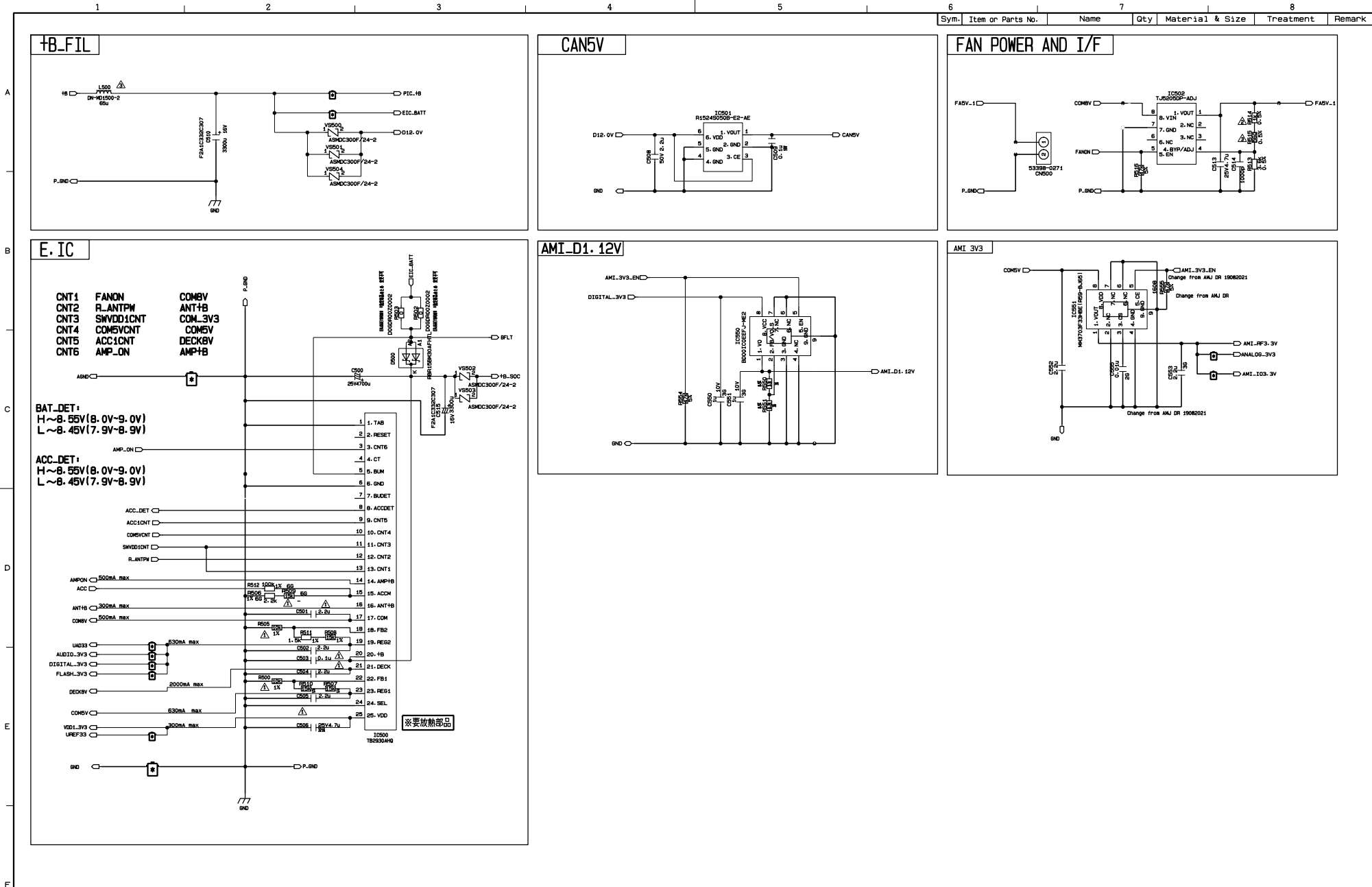
AMIG03.5

EEPROM

1PIN → 13PIN : Drive UART_TX	22PIN → 145PIN : Memory SDA1
3PIN → 132PIN : Drive UART_RX	47PIN → 146PIN : Memory SFLG1
5PIN → 154PIN : Drive SDA1A	67PIN → 147PIN : Memory SCLK1
7PIN : AMI_103.3V	87PIN : NC
9PIN : AMI_103.3V	107PIN : NC
14PIN : DSP_GND	127PIN : Amigo_RST
137PIN : DSP_GND	147PIN → 155PIN : TRACE_EXTN30
157PIN : DSP_GND	157PIN : TRACE_TRCLK
177PIN → 155PIN : Drive SCLK	187PIN → 156PIN : TRACE_TRCS1
157PIN → 162PIN : TRACE_TRQ3	207PIN → 161PIN : TRACE_TRQ2

Unit:mm	Sym.	Item or Parts No.	Name	Qty	Material & Size	Treatment	Remark
19T0EN	MP						CV-RT*AA**T
Material & Size	Process	Checked	Approved				AMIG03.5 DSP
Scale	Design	Drawn	Process	Asmt			DW of Part No. YE0924560/01

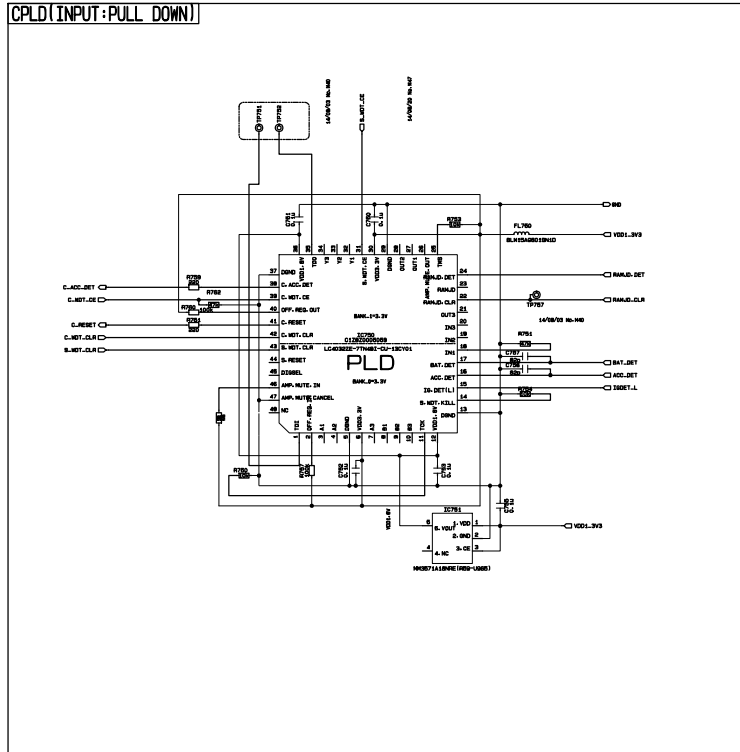
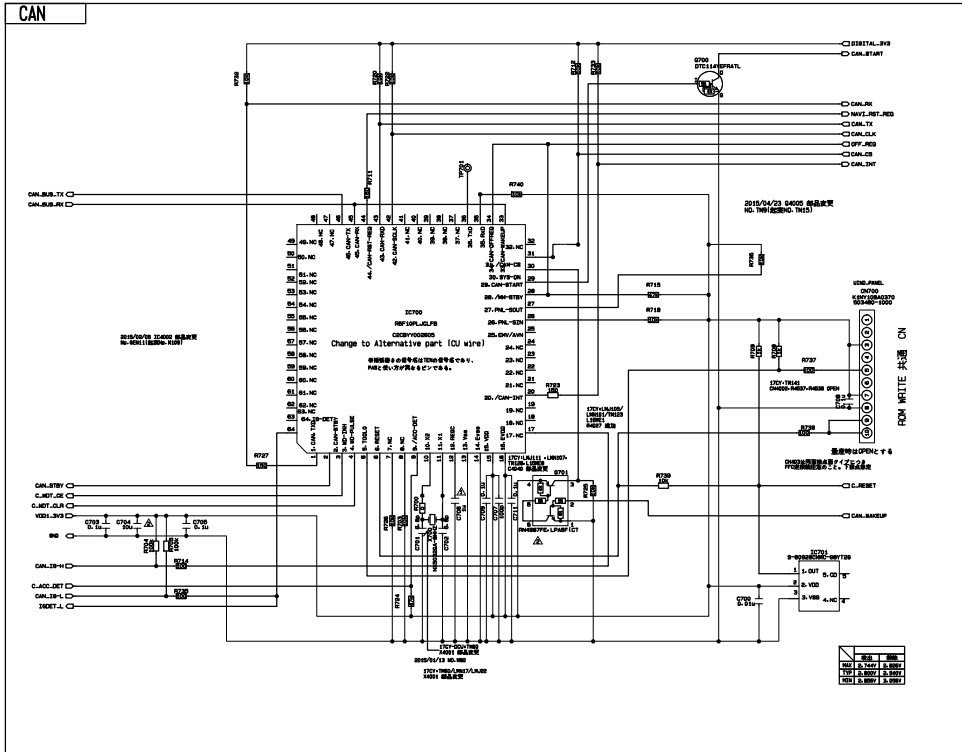
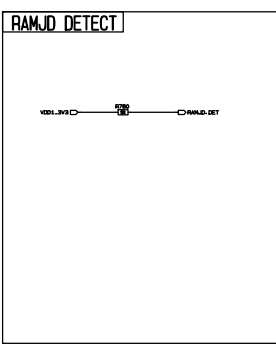
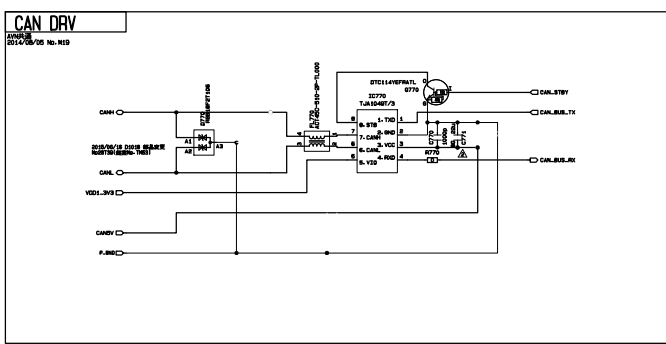




△				
△				
△				
Sym.	Date	Revision	Sign	checked

Sym.	Item or Parts No.	Name	Qty	Material & Size	Treatment	Remark
Unit:mm		19TDEM		MP	Type	CV-RT*AA**T
third angle system		Process		Remark	System Power	
Scale	Design	Drawn	Checked	Approved	DWG or Part No.	
	2019-12-08	2021-05-18	Dejima	Apiset	YE0924560/01	





Sym.	Date	Revision	Sign	Checked

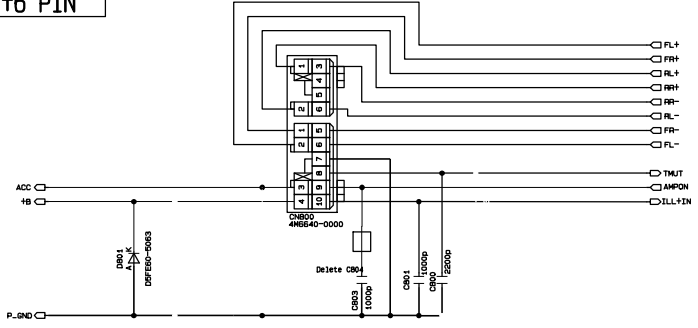
Unit:mm	Sym.	Item or Parts No.	Name	Qty	Material & Size	Treatment	Remark
			191DEM	MP	Type	CV-R1*AA**T	
			Material & Size	Process	Remark		
			Scale	Design	Checked	Approved	DWG Name
			2018.04.28	2018.05.02			CAN
							DWG Part No.
							YE0924560/01
							Ref. No.
							8/8

Sym.	Item or Parts No.	Name	Qty	Material & Size	Treatment	Remark
------	-------------------	------	-----	-----------------	-----------	--------

**AUX VIDEO**

Delete Aux Video from MAIN14

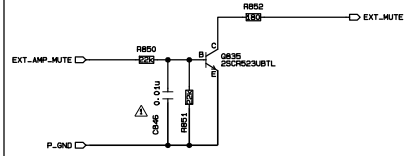
**10+6 PIN**



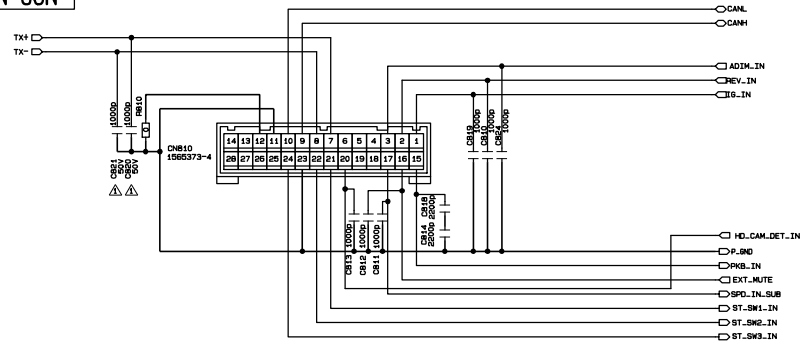
**ADPG**

Delete Aux Audio from MAIN14

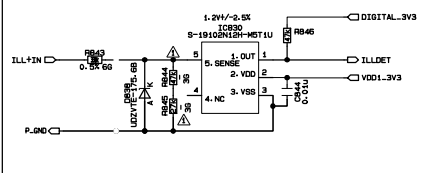
**EXT AMP MUTE**



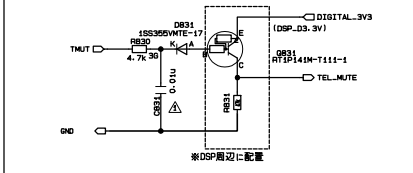
**28PIN CON**



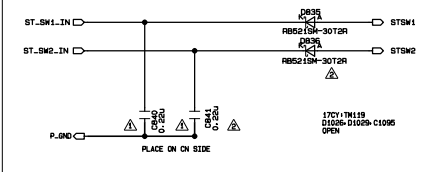
**ILL Detect voltage 6.55V**



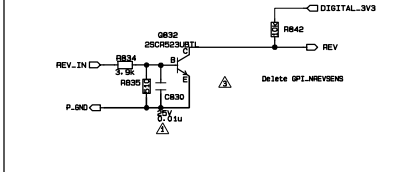
**TEL-MUTE**



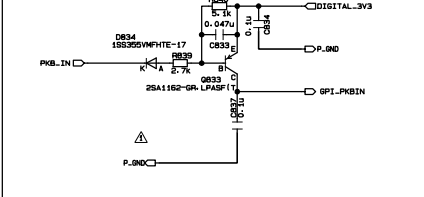
**ST-SW**



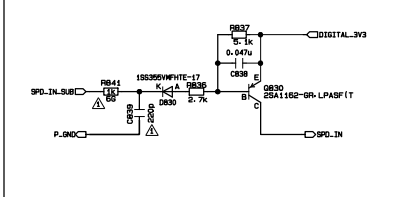
**REVERS I/F**



**PKB**

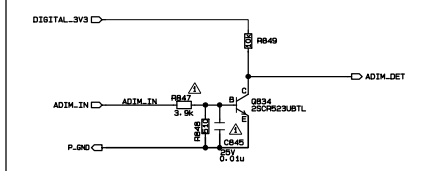


**SPEED**



Delete Aux Audio from MAIN14

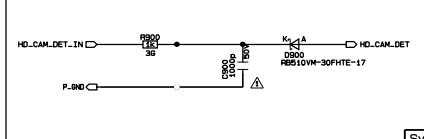
**ADIM I/F**



**ILL-**



**HD-CAM-DET**



△					
△					
△					
Sym.	Date	Revision	Sign	Checked	

Sym.	Item or Parts No.	Name	Qty	Material & Size	Treatment	Remark
Unit:mm		19TDEM		MP	Type	CV-RT*AA**T
third angle system	Material & Size	Process		Remark	DWG	External IF
Scale	Design	Drawn	Checked	Approved	DWG or Part NO.	YE0924560/01
	2019.12.09	01/01				
		2021.03.18	Design		Apimat	