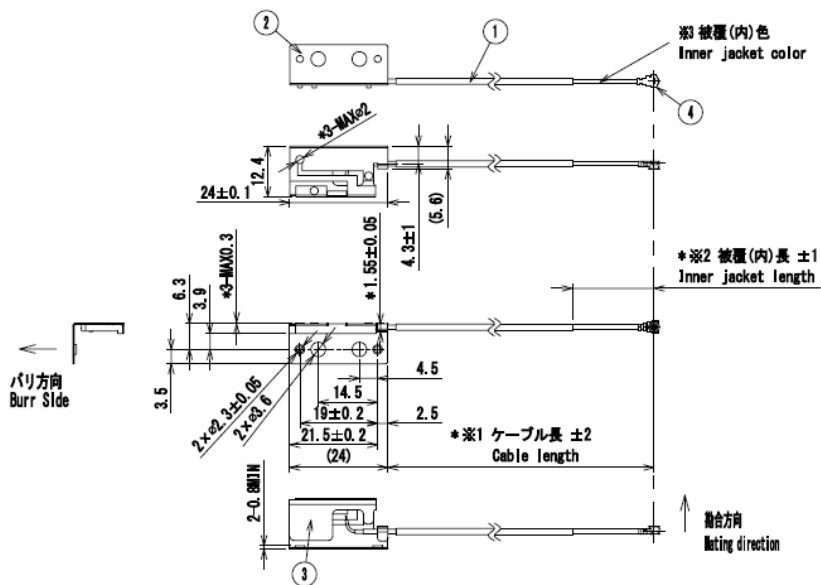


FCC Test Setup Photo_AUT

■ Antenna Appearance

The only difference between ANT0 and ANT1 is length.



4	コネクタ CONNECTOR	HF 20278-112R-13	1
-	半田棒 SOLDER BAR	ESC SOLDER BAR W705	-
-	半田 SOLDER	SPARKLE ESC F3 W705	-
3	樹脂 RESIN	ANT2325-ABS	1
2	板金 SHEET METAL	ANT2324-BT	1
1	ケーブル CABLE	F-WFE AN32 (RF-WF5016-※3)	
No.	品名 / PART NAME		数量/QTY

■ Test setup photo(reference)

This photo shows the measurement environment using our representative EUT not the one submitted for the certification; however, this measurement environment is exactly the same as that for the EUT requiring the certification this time: the antenna used here is from the same model series and the measurement method is identical.

