

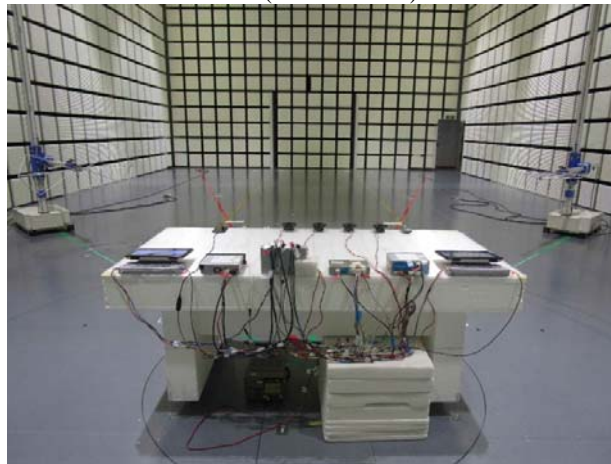
APPENDIX 3: Photographs of test setup

Radiated Spurious Emission

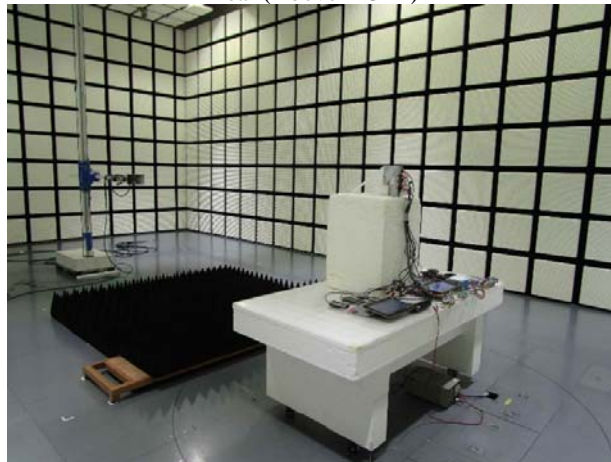
Front



Rear (Below 1 GHz)



Rear (Above 1 GHz)

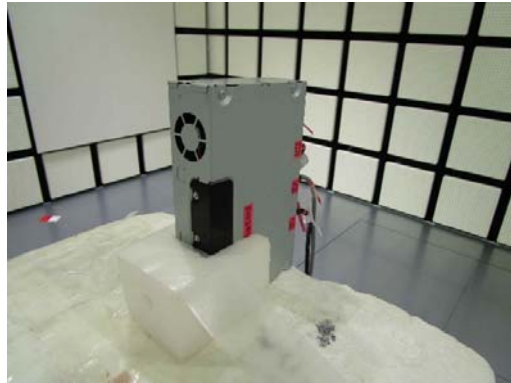


Worst Case Position

X-axis



Y-axis



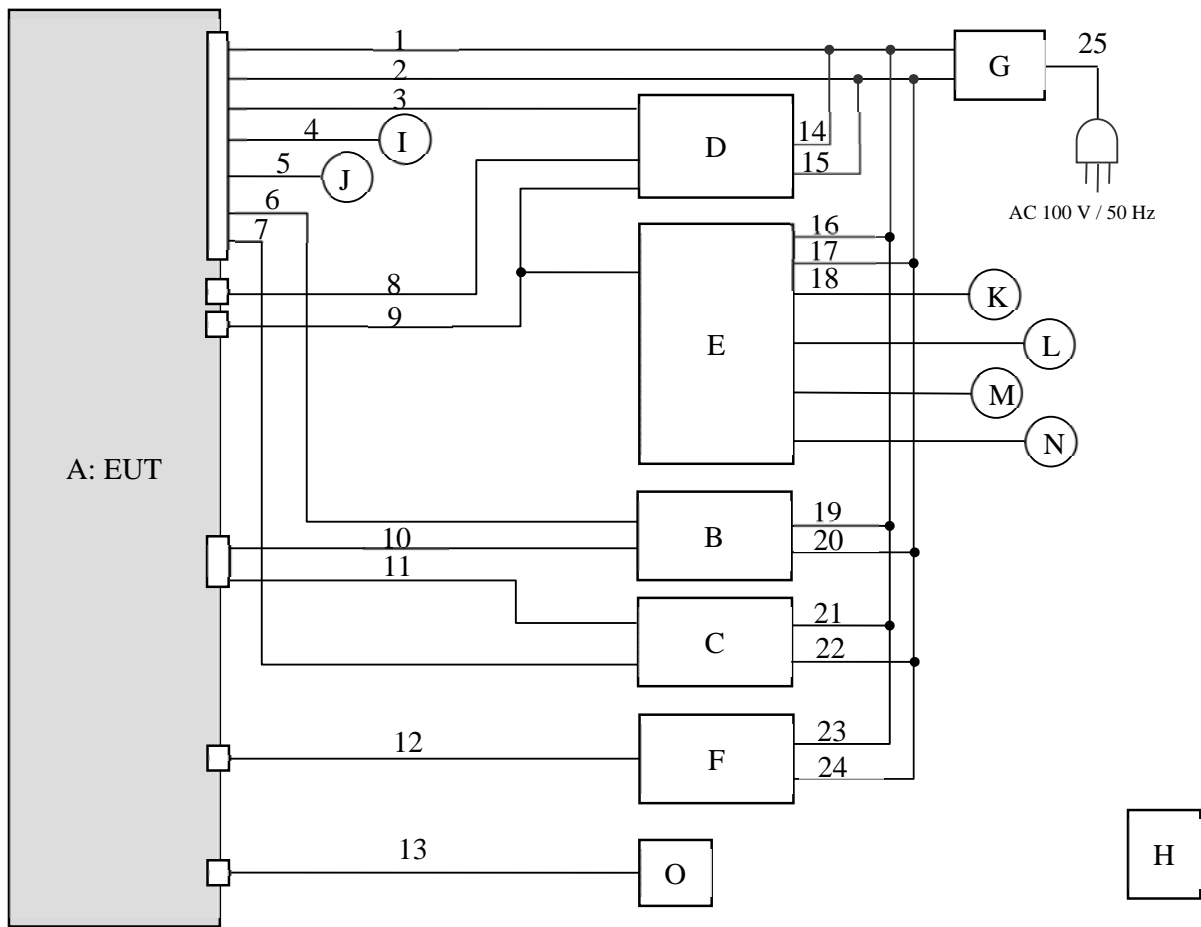
Z-axis



Antenna Terminal Conducted Tests



APPENDIX 4: Configuration and peripherals



* Cabling and setup(s) were taken into consideration and test data was taken under worse case conditions.

Description of EUT and Support equipment

No.	Item	Model number	Serial number	Manufacturer	Remarks
A	RSE-ECU	AT2106	2S-024 *1) 2S-041 *2)	Panasonic	EUT
B	RSE-DISP	CR-FL3BJ1AJ	022	Panasonic	-
C	RSE-DISP	CR-FL3BJ1AJ	025	Panasonic	-
D	Main Unit	21CY-PreCV EU-L2	026	Panasonic	-
E	Audio Amplifier	GM-4078ZT02	SGJA017998WL	PIONEER	-
F	BD Player	CR-BL17T0AJ	500158	Panasonic	-
G	DC Power Supply	PAN60-10A	NL0002383	KIKUSUI	-
H	Remote Controller	CA-RLM7N0AJ	500124	Panasonic	-
I	Earphone	-	-	-	-
J	Earphone	-	-	-	-
K	Speaker	KFC-RS160	-	KENWOOD	-
L	Speaker	KFC-RS160	-	KENWOOD	-
M	Speaker	KFC-RS160	-	KENWOOD	-
N	Speaker	KFC-RS160	-	KENWOOD	-
O	Mobile Phone	SC-01G Galaxy Note Edge	R38FC0CRAJT	SAMSUNG	-

*1) Used for Antenna Terminal conducted test

*2) Used for Radiated Emission test

List of cables used

No.	Name	Length (m)	Shield- Cable	Shield- Connector	Remarks
1	DC+	2.0+0.5+1.5	Unshielded	Unshielded	System Harness1
2	GND	2.0+0.5+1.5	Unshielded	Unshielded	System Harness1
3	Signal	2.0	Unshielded	Unshielded	System Harness1
4	Earphone	2.0+1.2	Shielded	Shielded	System Harness2
5	Earphone	2.0+1.3	Shielded	Shielded	System Harness2
6	Signal	2.0	Unshielded	Unshielded	System Harness2
7	Signal	2.0	Unshielded	Unshielded	System Harness3
8	GVIF 2	2.0	Shielded	Shielded	GVIF Harness2
9	Step3 Harness	2.0	Shielded	Shielded	-
10	GVIF 1	2.0	Shielded	Shielded	GVIF Harness1
11	GVIF 1	2.0	Shielded	Shielded	GVIF Harness1
12	HDMI 1	2.0	Shielded	Shielded	-
13	HDMI 2	2.0+1.0	Shielded	Shielded	-
14	DC+	2.0	Unshielded	Unshielded	-
15	GND	2.0	Unshielded	Unshielded	-
16	DC+	0.7	Unshielded	Unshielded	-
17	GND	0.7	Unshielded	Unshielded	-
18	Speaker	0.5+2.0	Unshielded	Unshielded	-
19	DC+	2.0	Unshielded	Unshielded	-
20	GND	2.0	Unshielded	Unshielded	-
21	DC+	2.0	Unshielded	Unshielded	-
22	GND	2.0	Unshielded	Unshielded	-
23	DC+	2.0	Unshielded	Unshielded	-
24	GND	2.0	Unshielded	Unshielded	-
25	AC	2.0	Unshielded	Unshielded	-

End of Report

UL Japan, Inc.

Shonan EMC Lab.

1-22-3 Megumigaoka, Hiratsuka-shi, Kanagawa-ken, 259-1220 JAPAN

Telephone : +81 463 50 6400

Facsimile : +81 463 50 6401