

Internal Photos AT1806

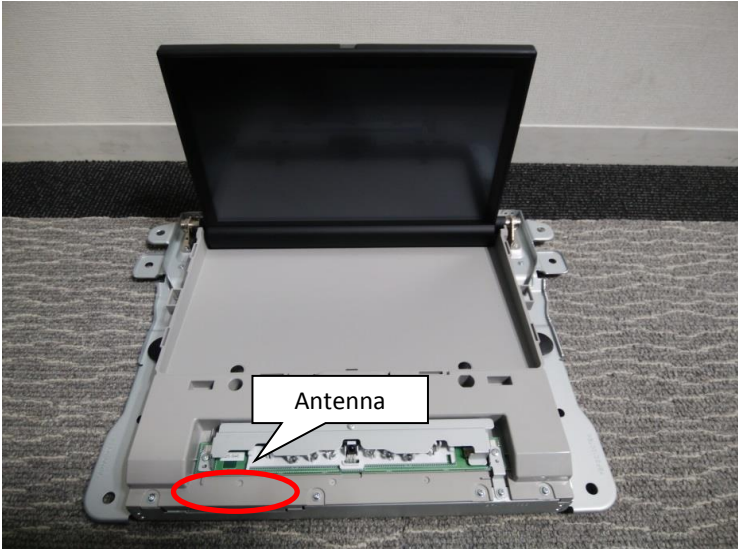


Fig.1 RSE appearance

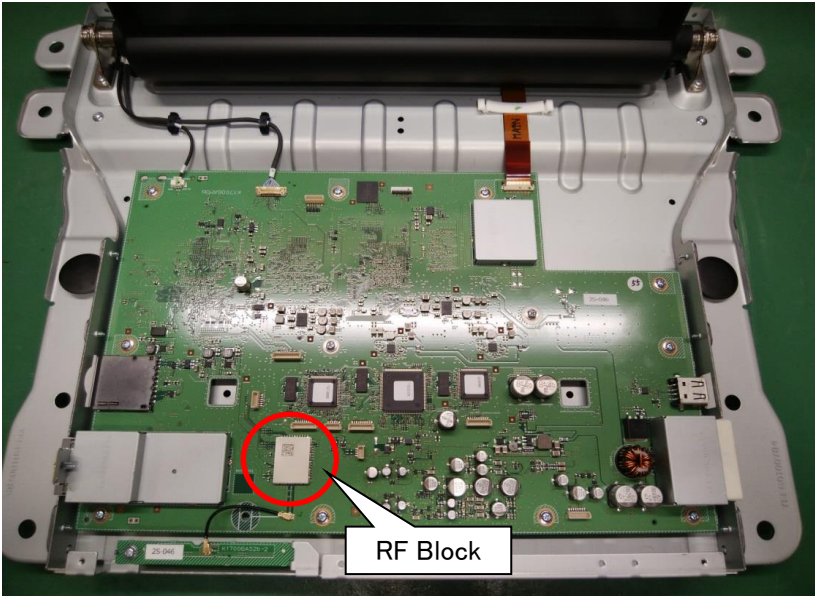


Fig.3 Without Base Cover

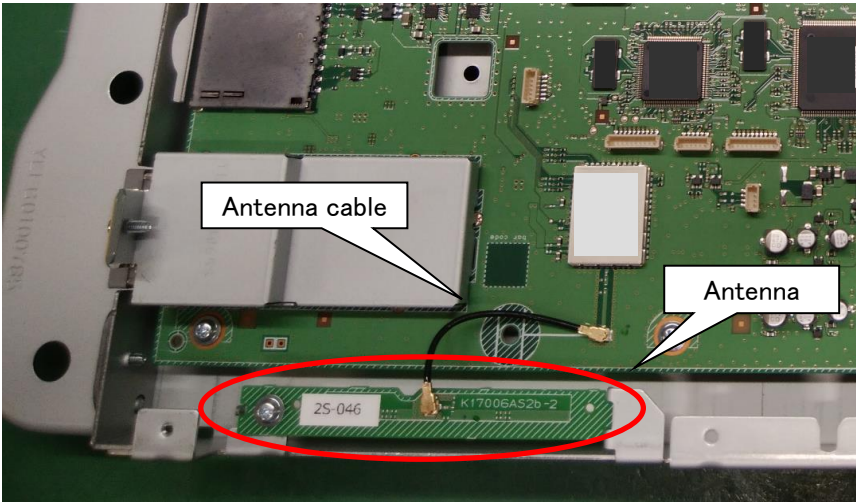


Fig.2 Without Base Cover

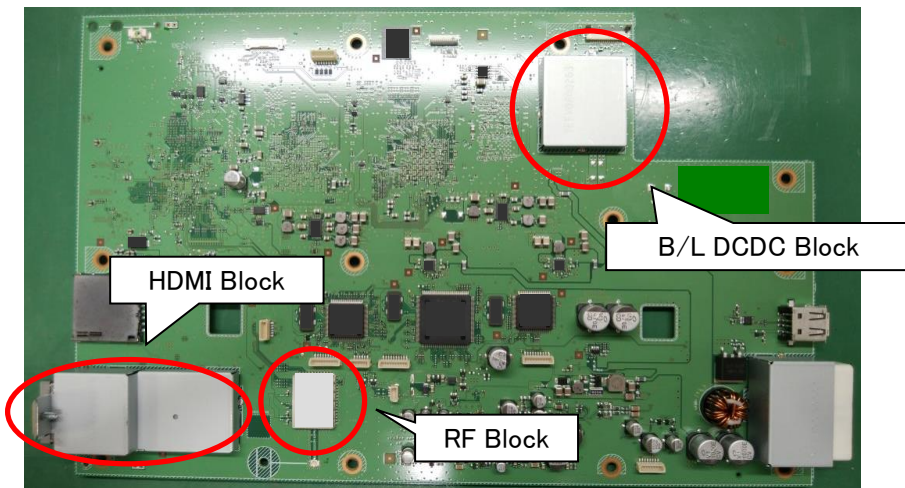


Fig.4 MAIN PCB (Surface side)

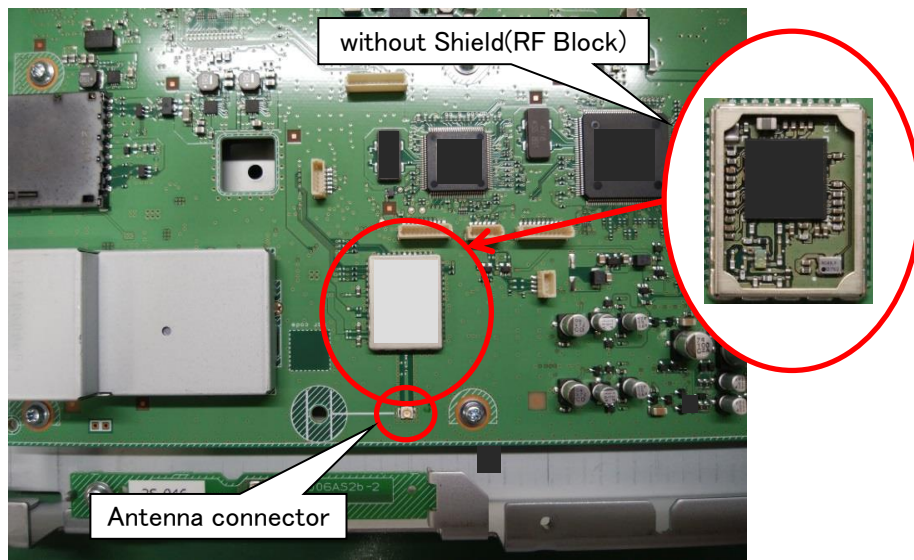


Fig.5 RF Block

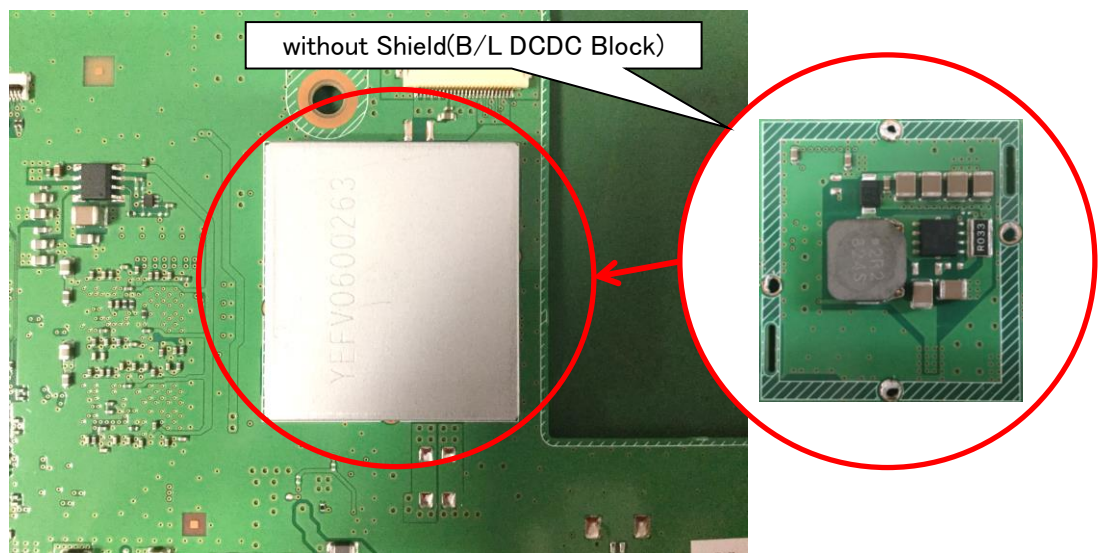


Fig.6 B/L DCDC Block

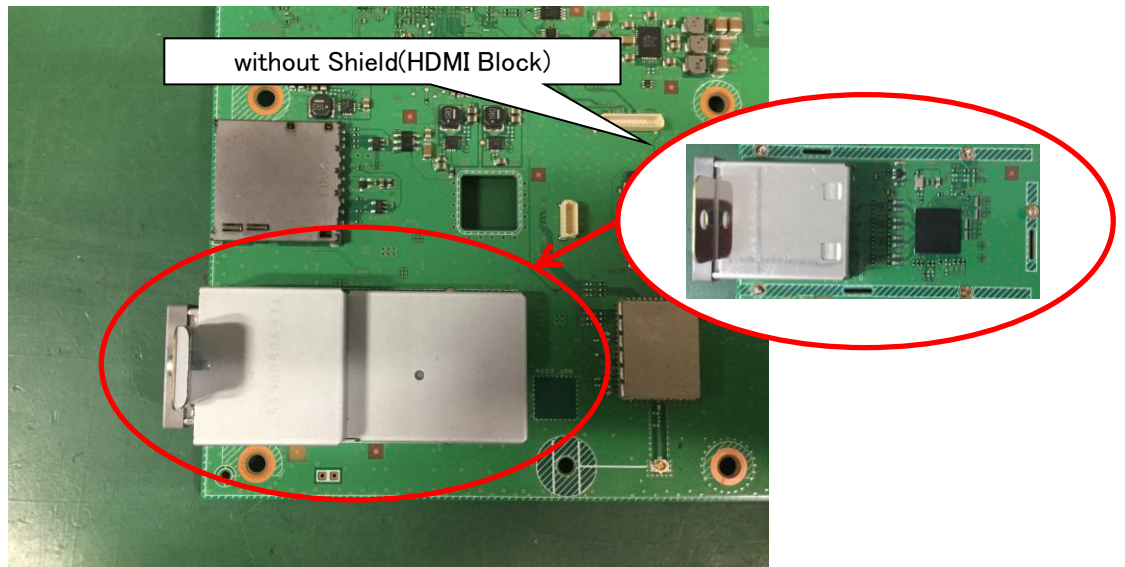


Fig.7 HDMI Block

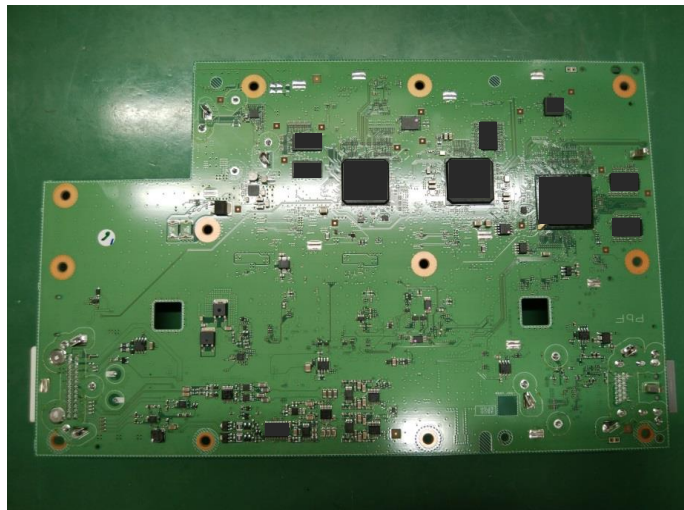


Fig.8 MAIN PCB (Back side)