

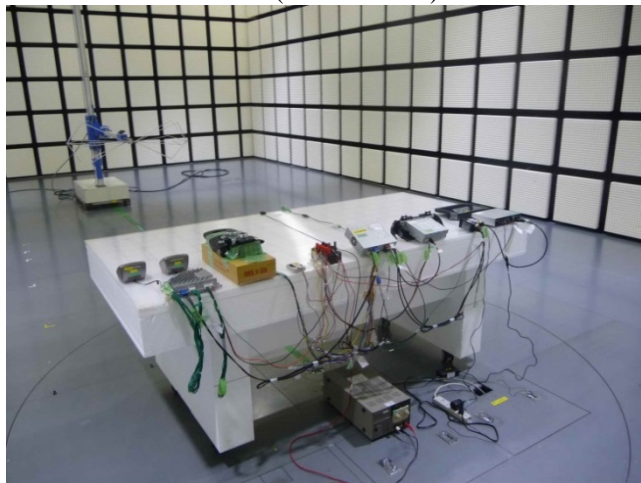
### APPENDIX 3: Photographs of test setup

#### Radiated Spurious Emission

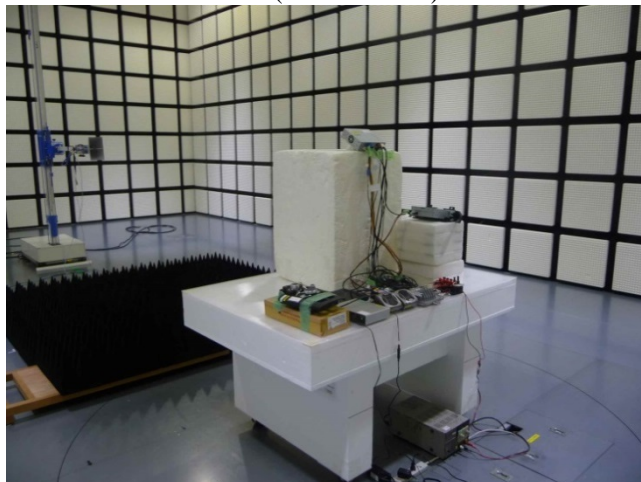
Front



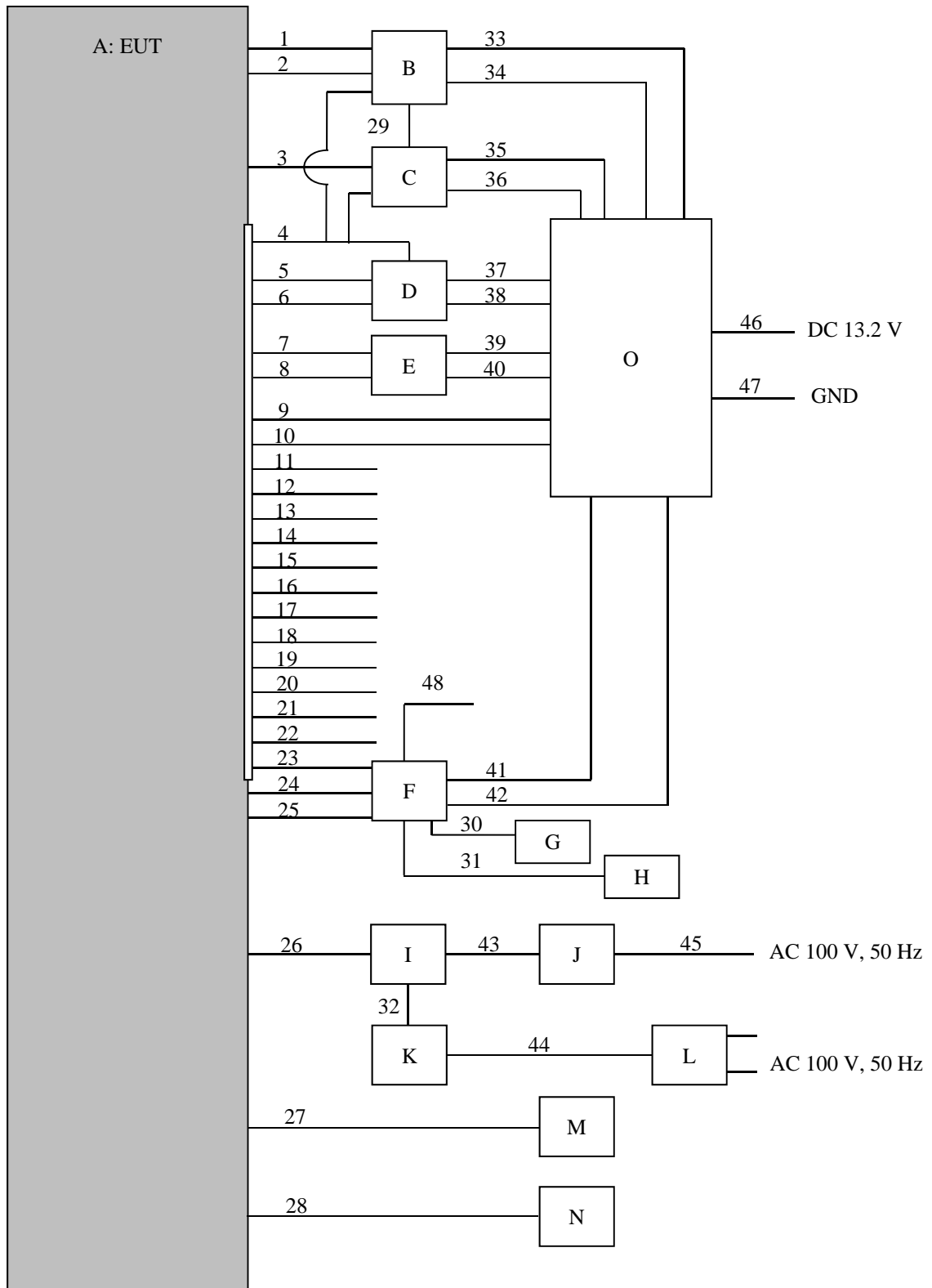
Rear (Below 1 GHz)



Rear (Above 1 GHz)



**APPENDIX 4: Configuration and peripherals**



\* Cabling and setup(s) were taken into consideration and test data was taken under worse case conditions.

**Description of EUT and Support equipment**

No.	Item	Model number	Serial number	Manufacturer	Remarks
A	AV Control Unit for In-Vehicle Infotainment	AM1701	M7G-2S-183 *1) M7G-DCVS-T2-004 *2)	Panasonic Corporation	EUT
B	Rear Hub	MD4128/46	CG001707122010088	Panasonic Corporation	-
C	CD Deck	MD4608/46	7GC1-669G0-001	Panasonic Corporation	-
D	Commander	-	7GB3-66CM0 91	Panasonic Corporation	-
E	CAN SIM BOX	TS17040-200	00034	Panasonic Corporation	-
F	Amp	BDGF66A20	7GA2 66A20 3	Mitsubishi Electronic Corporation	-
G	Speaker	PR-222	-	BM Audio Labs	-
H	Speaker	PR-222	-	BM Audio Labs	-
I	Display Box	GMSL-DVI-BOX2	00012	Panasonic Corporation	-
J	AC Adapter	UNI360-1250	G06-0261738	UNIFIVE	-
K	Display	LCD-10000VH5	1609U-01	Century	-
L	AC Adapter	GCF3125-0520	1608-0000178	UNIFIVE	-
M	Camera	-	-	Panasonic Corporation	-
N	GPS Antenna	-	-	Panasonic Corporation	-
O	Power Box	-	-	Panasonic Corporation	-

\*1) Used for Antenna Terminal conducted test

\*2) Used for Radiated Emission test

**UL Japan, Inc.**

**Shonan EMC Lab.**

1-22-3 Megumigaoka, Hiratsuka-shi, Kanagawa-ken, 259-1220 JAPAN

Telephone : +81 463 50 6400

Facsimile : +81 463 50 6401

**List of cables used**

No.	Name	Length (m)	Shield		Remarks
			Cable	Connector	
1	Signal	1.7	Shielded	Shielded	-
2	Signal	1.7	Shielded	Shielded	-
3	Signal	0.5	Shielded	Shielded	-
4	PWR-CTRL	1.0 + 1.0	Unshielded	Unshielded	-
5	RS485+	1.0 + 1.0	Unshielded	Unshielded	-
6	RS485-	1.0 + 1.0	Unshielded	Unshielded	-
7	CAN-H	1.0+0.15	Unshielded	Unshielded	-
8	CAN-L	1.0+0.15	Unshielded	Unshielded	-
9	B+	1.0+0.1	Unshielded	Unshielded	-
10	GND	1.0+0.1	Unshielded	Unshielded	-
11	N.C(ACC)	1.0	Unshielded	Unshielded	-
12	N.C	1.0	Unshielded	Unshielded	-
13	MIC MODE1	1.0	Unshielded	Unshielded	-
14	MIC MODE2	1.0	Unshielded	Unshielded	-
15	MIC MODE SENSE	1.0	Unshielded	Unshielded	-
16	MIC MODE GND	1.0	Unshielded	Unshielded	-
17	MIC MODE PWR	1.0	Unshielded	Unshielded	-
18	MIC OUT +	1.0	Unshielded	Unshielded	-
19	MIC OUT -	1.0	Unshielded	Unshielded	-
20	ST SW1	1.0	Unshielded	Unshielded	-
21	ST SW2	1.0	Unshielded	Unshielded	-
22	ST SW3	1.0	Unshielded	Unshielded	-
23	N.C	1.0 + 1.0	Unshielded	Unshielded	-
24	Signal	2.0	Shielded	Shielded	-
25	Signal	2.0	Shielded	Shielded	-
26	Signal	1.1	Shielded	Shielded	-
27	Signal	2.5	Shielded	Shielded	-
28	Signal	3.5 + 0.2	Shielded	Shielded	-
29	Signal	1.5	Shielded	Shielded	-
30	Signal	1.0 + 0.2	Unshielded	Unshielded	-
31	Signal	1.0 + 0.2	Unshielded	Unshielded	-
32	Signal	1.0	Unshielded	Unshielded	-
33	BATT	1.0 + 0.1	Unshielded	Unshielded	-
34	GND	1.0 + 0.1	Unshielded	Unshielded	-
35	BATT	1.0 + 0.1	Unshielded	Unshielded	-
36	GND	1.0 + 0.1	Unshielded	Unshielded	-
37	BATT	1.0 + 0.1	Unshielded	Unshielded	-
38	GND	1.0 + 0.1	Unshielded	Unshielded	-
39	BATT	0.5	Unshielded	Unshielded	-
40	GND	0.5	Unshielded	Unshielded	-
41	BATT	1.0 + 0.1	Unshielded	Unshielded	-
42	GND	1.0 + 0.1	Unshielded	Unshielded	-
43	DC	1.4	Unshielded	Unshielded	-
44	DC	1.5	Unshielded	Unshielded	-
45	AC	1.8	Unshielded	Unshielded	-
46	BATT	2.0 + 0.2	Unshielded	Unshielded	-
47	GND	2.0 + 0.2	Unshielded	Unshielded	-
48	Signal	1.0	Unshielded	Unshielded	-

**End of Report**

**UL Japan, Inc.**

**Shonan EMC Lab.**

1-22-3 Megumigaoka, Hiratsuka-shi, Kanagawa-ken, 259-1220 JAPAN

Telephone : +81 463 50 6400

Facsimile : +81 463 50 6401