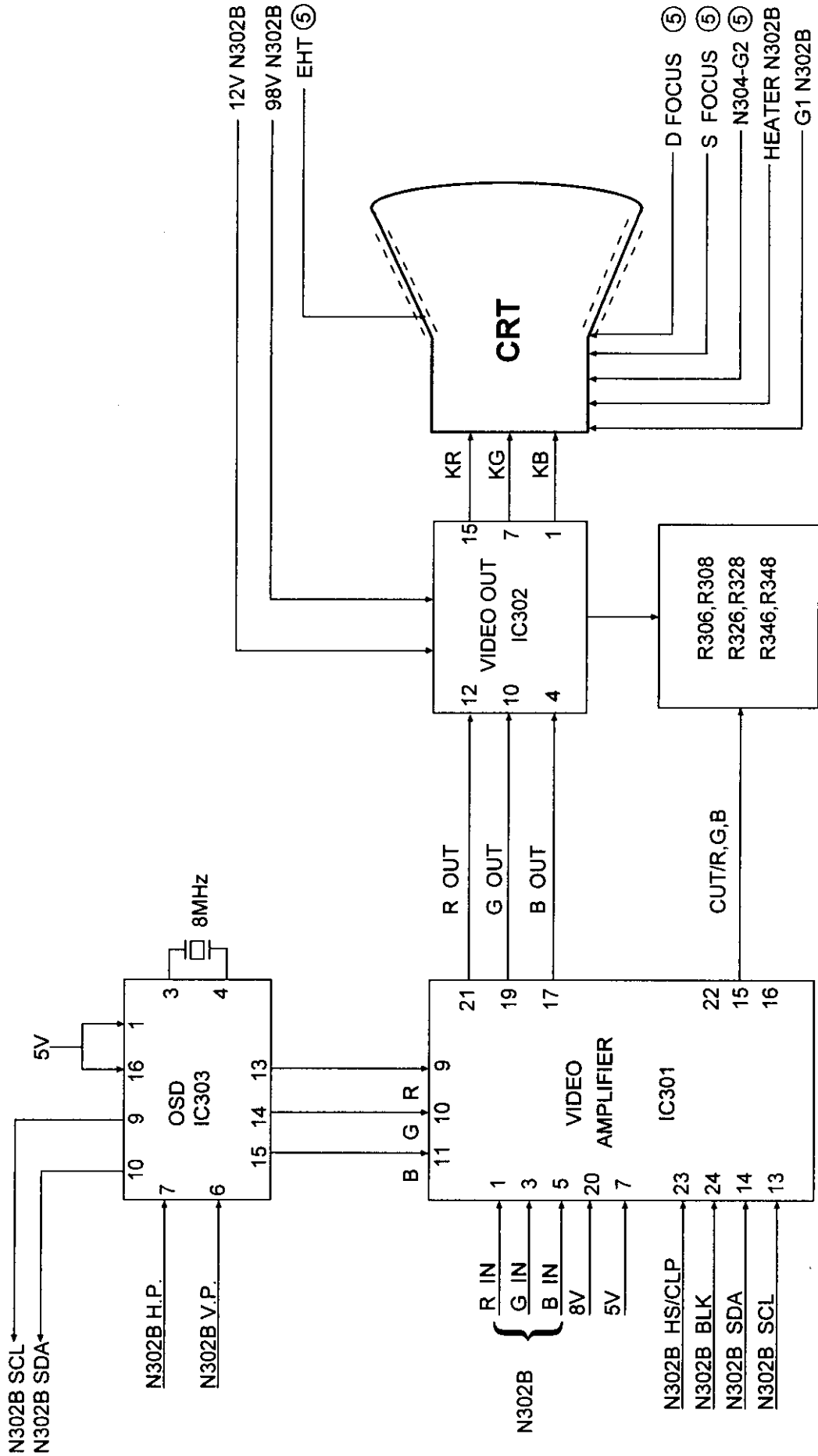


EXHIBIT 4

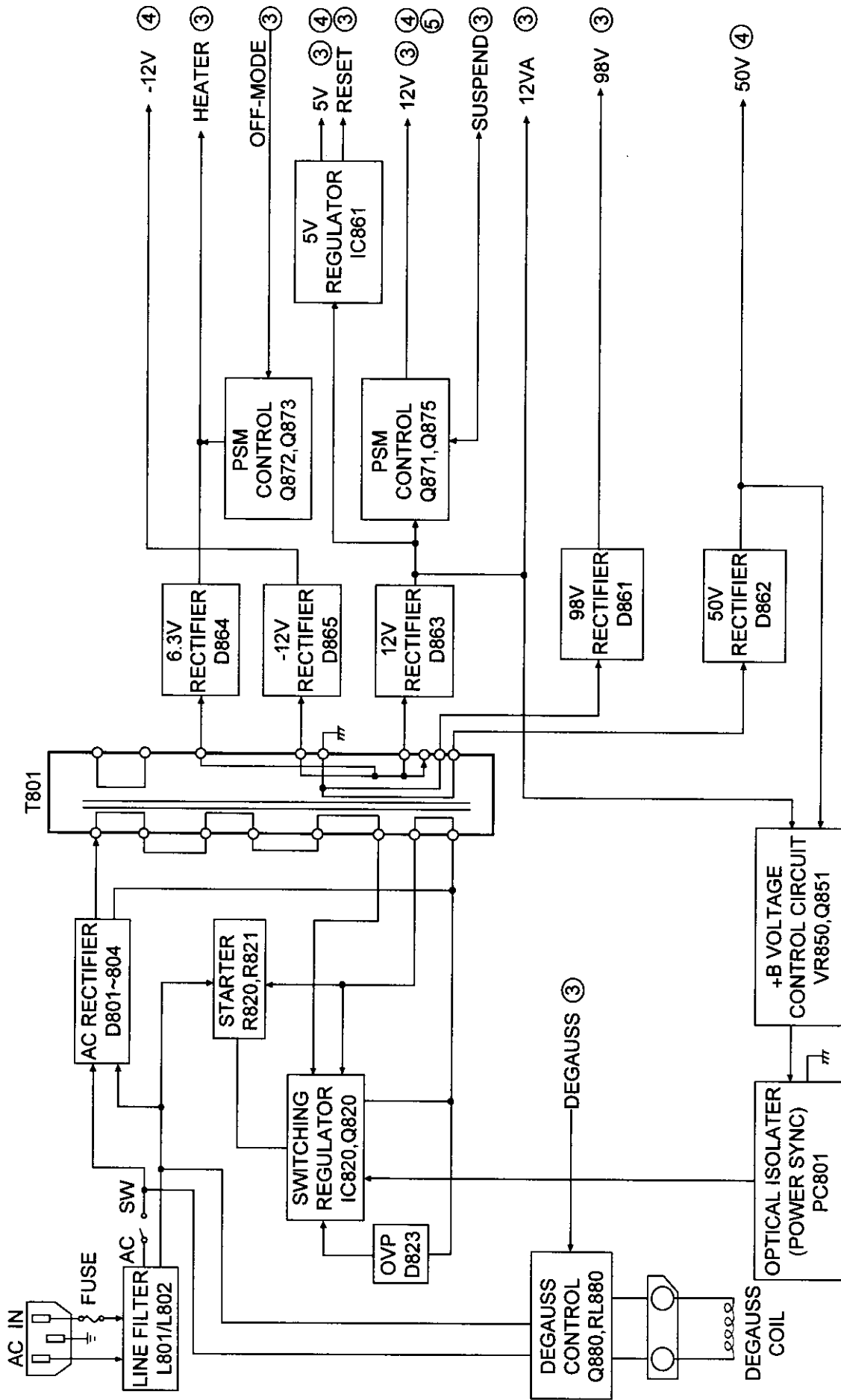
Block Diagram

BLOCK DIAGRAM **Model No : TX-T7F22/M-T7F22**

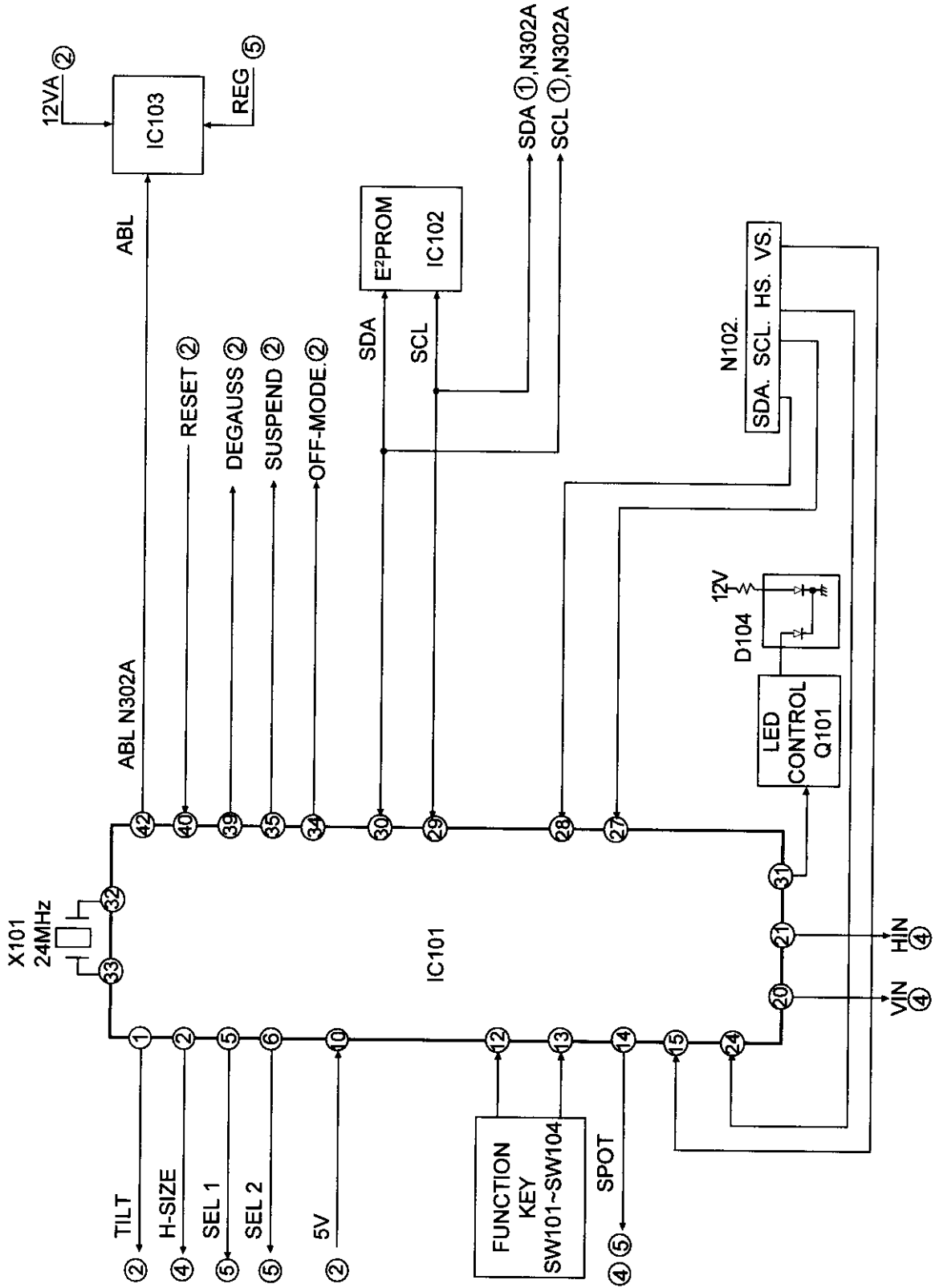
SHEET (1) VIDEO OUT



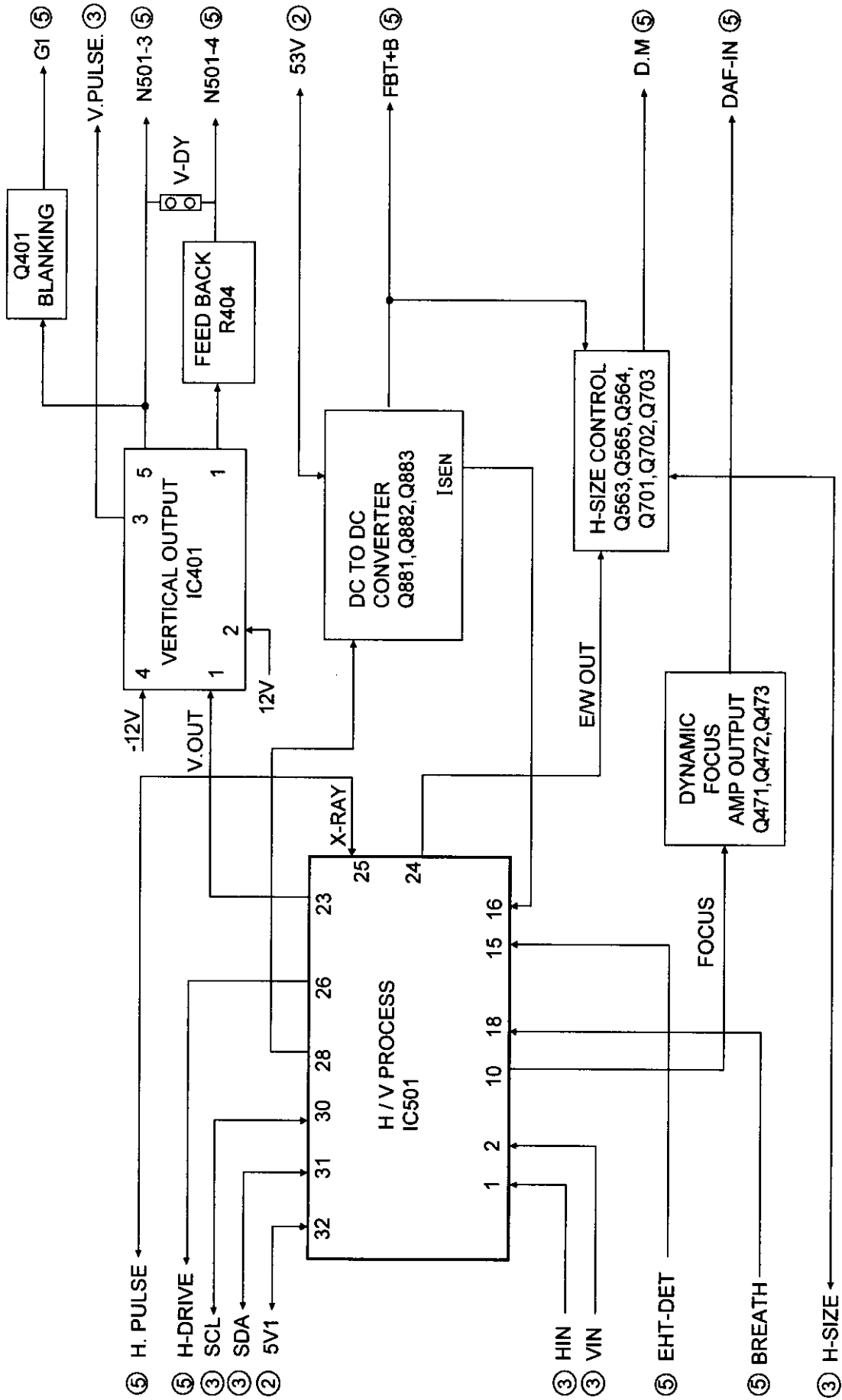
SHEET (2) POWER SUPPLY



SHEET (3) MCU / SIGNAL INPUT



SHEET (4). H / V PROCESS / V. OUTPUT



SHEET (5) H OUTPUT / GEOMETRY CONTROL

