

6

5

4

3

2

1

D

D

C

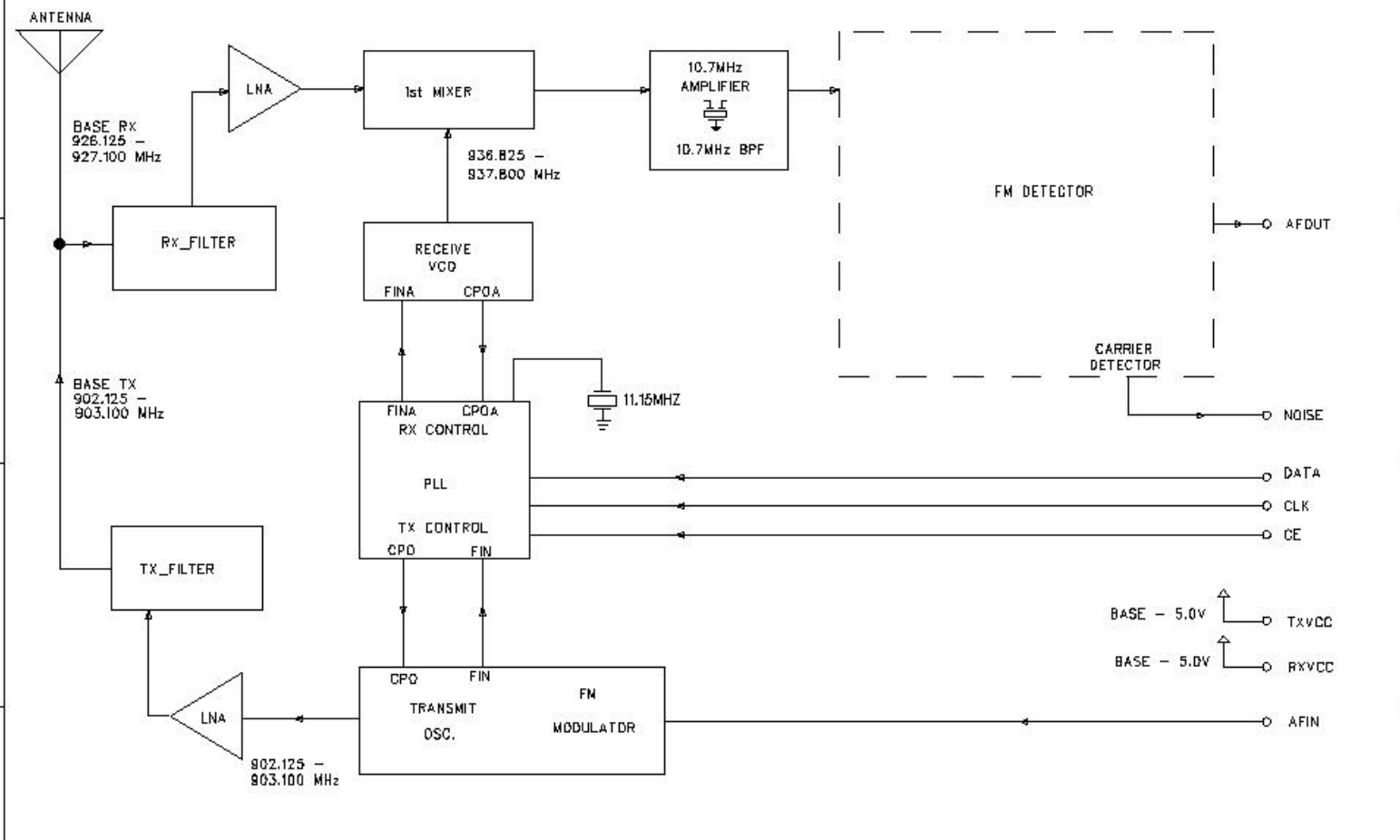
C

B

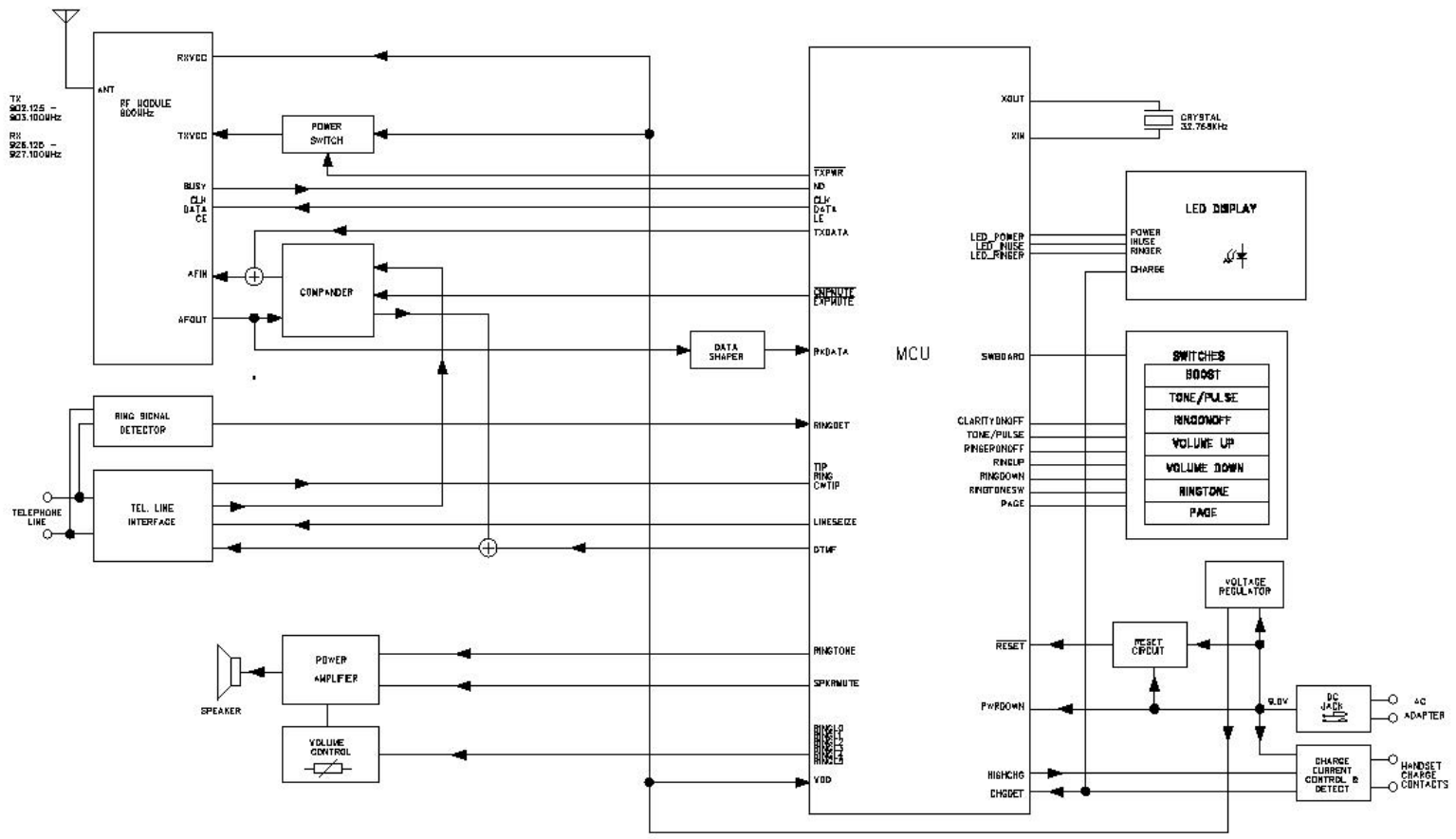
B

A

A



| | |
|-----------|-------------------------|
| MODEL: | 900MHZ RF MODULE (BASE) |
| DRAWN BY: | EFFIE SUNG |
| DATE: | 2004-12-14 |



COMPANY: ARTCOM LIMITED

TITLE: C420 BASE BLOCK DIAGRAM

| | | | | | | |
|-------------------------------|------------------|-----------------------------------|------------------|-----------------------------------|-------------------------------|---------------|
| DATE: 2004-12-14 | DESIGNED BY: L X | DATE: 2004-12-14 | DESIGNED BY: J B | QUALITY CONTROL: DATE: 2004-12-14 | DESIGNED BY: A3 | REV: 0 |
| RELEASED BY: DATE: 2004-12-14 | DESIGNED BY: J B | QUALITY CONTROL: DATE: 2004-12-14 | DESIGNED BY: A3 | REV: 0 | RELEASED BY: DATE: 2004-12-14 | SHEET: 1 OF 1 |

6

5

4

3

2

1

D

D

C

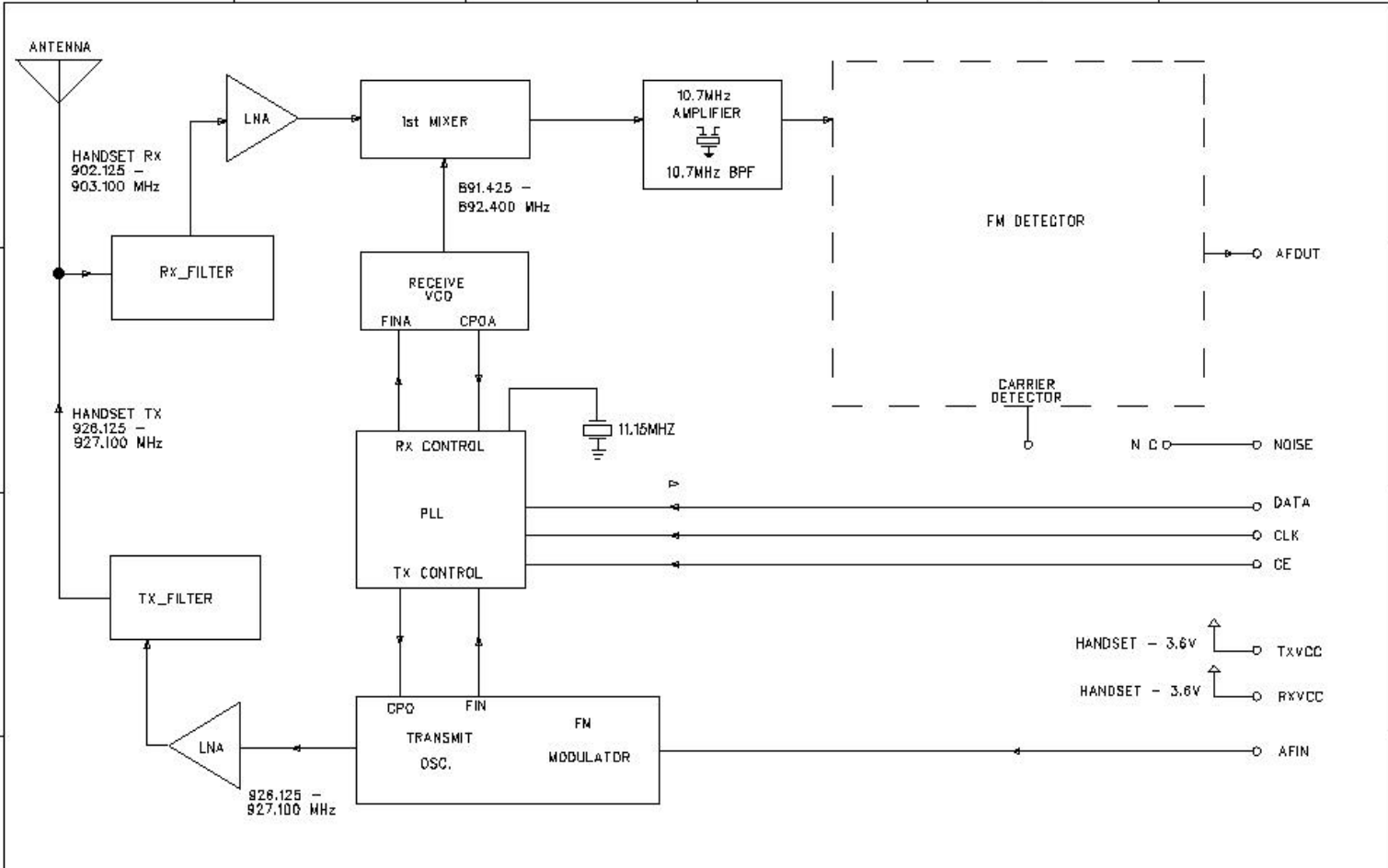
C

B

B

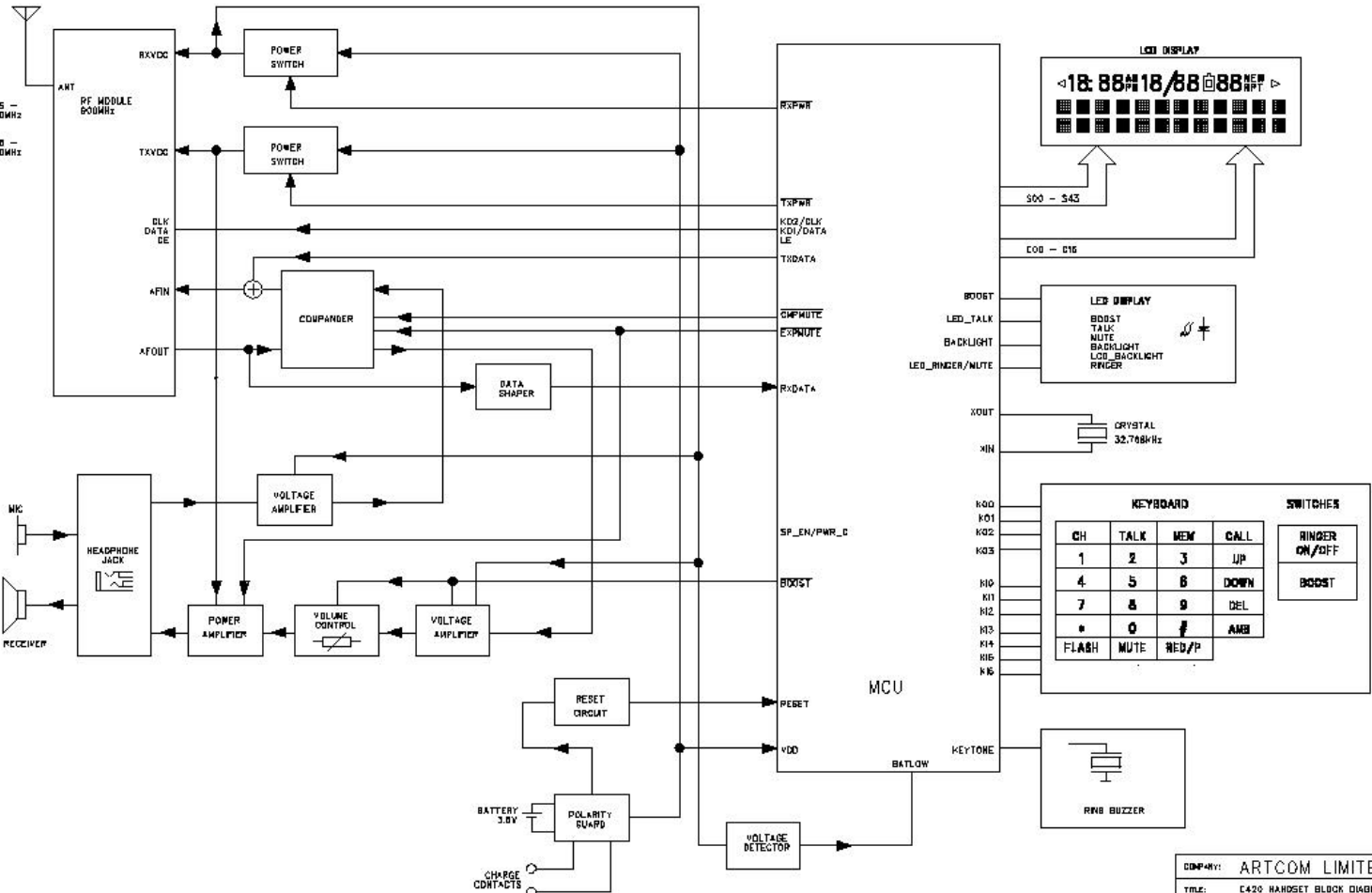
A

A



| | |
|-----------|----------------------------|
| MODEL: | 900MHZ RF MODULE (HANDSET) |
| DRAWN BY: | EFFIE SUNG |
| DATE: | 2004-12-14 |

TX 926.125 - 927.100MHz
 RX 902.028 - 903.000MHz



COMPANY: ARTCOM LIMITED
 TITLE: E420 HANDSET BLOCK DIAGRAM

| | | |
|------------------|------------|----------------|
| DP#: | D+TED: | FLAG: |
| | 2004-12-14 | L X 0 |
| CH#ED: | D+TED: | J B 0 |
| QUALITY CONTROL: | DATE: | SCALE: |
| RELEASED: | D+TED: | SIZE: A3 |
| | | REV: 0 |
| | | DP#REV: 0 |
| | | SHEETS: 1 OF 1 |