

EXHIBIT 9**Internal Photographs**

(Pursuant to FCC Part 2.1033(b)(7), 2.1033(c)(12) and RSP 100 Annex C)

The following photographs are attached.

Exhibit

1.	RF board <u>with</u> Shields (Top)	9A
2.	RF board <u>without</u> Shields (Top)	9B
3.	RF board <u>with</u> Shields (Bottom)	9C
4.	RF board <u>without</u> Shields (Bottom)	9D
5.	RF boards <u>with</u> chassis and control head (Top), Model 1	9E
6.	Chassis and control head (Bottom), Model 1	9F
7.	RF boards <u>with</u> chassis and control head (Top), Model 2	9G
8.	Chassis and control head (Bottom), Model 2	9H
9.	RF boards <u>with</u> chassis and control head (Top), Model 3	9I
10.	Chassis and control head (Bottom), Model 3	9J
11.	GOB Board (Top)	9K
12.	GOB Board <u>with</u> Shield (Bottom)	9L
13.	GOB Board <u>without</u> Shield (Bottom)	9M
14.	Exploded view of radio	9N
15.	Exploded view of alphanumeric display control head	9O
16.	Exploded view of numeric display control head	9P

Exhibit 9A- RF board with Shields (Top)

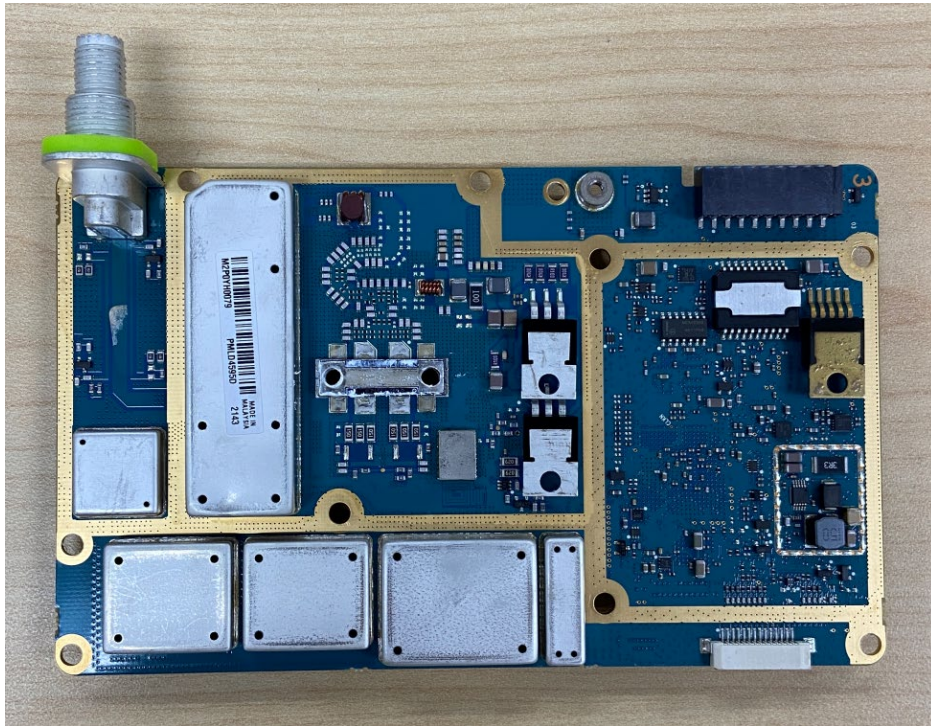


Exhibit 9B- RF board without Shields (Top)

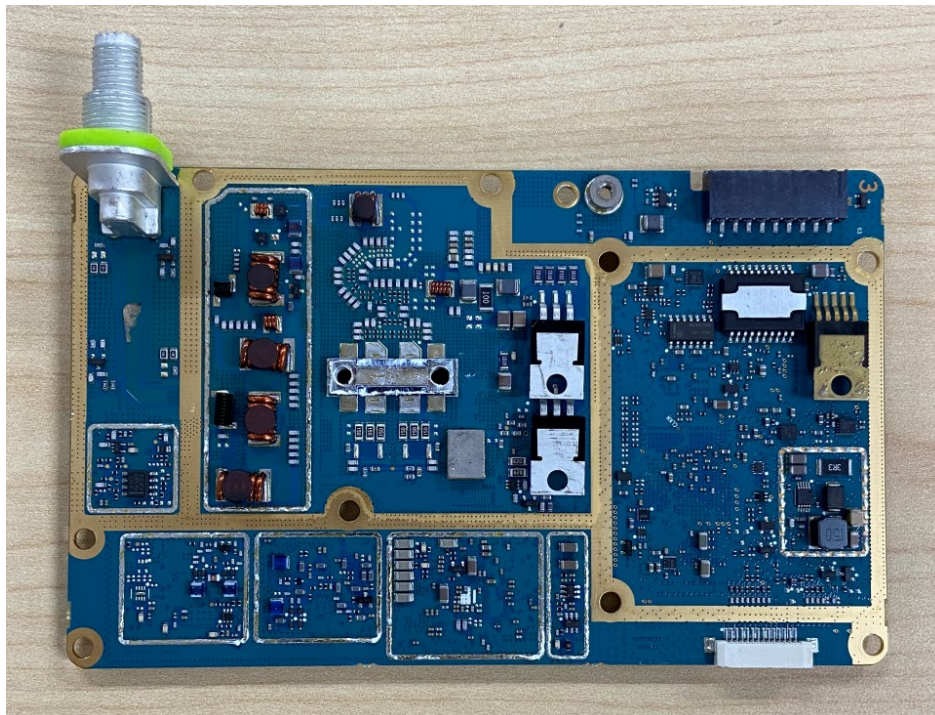


Exhibit 9C- RF board with Shields (Bottom)

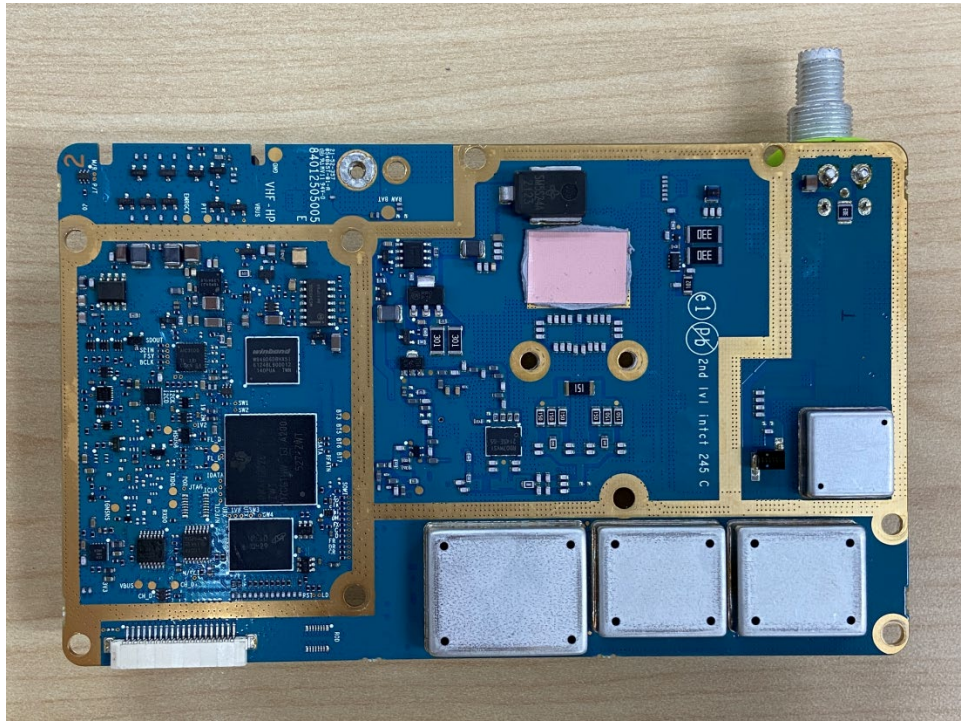


Exhibit 9D- RF board without Shields (Bottom)

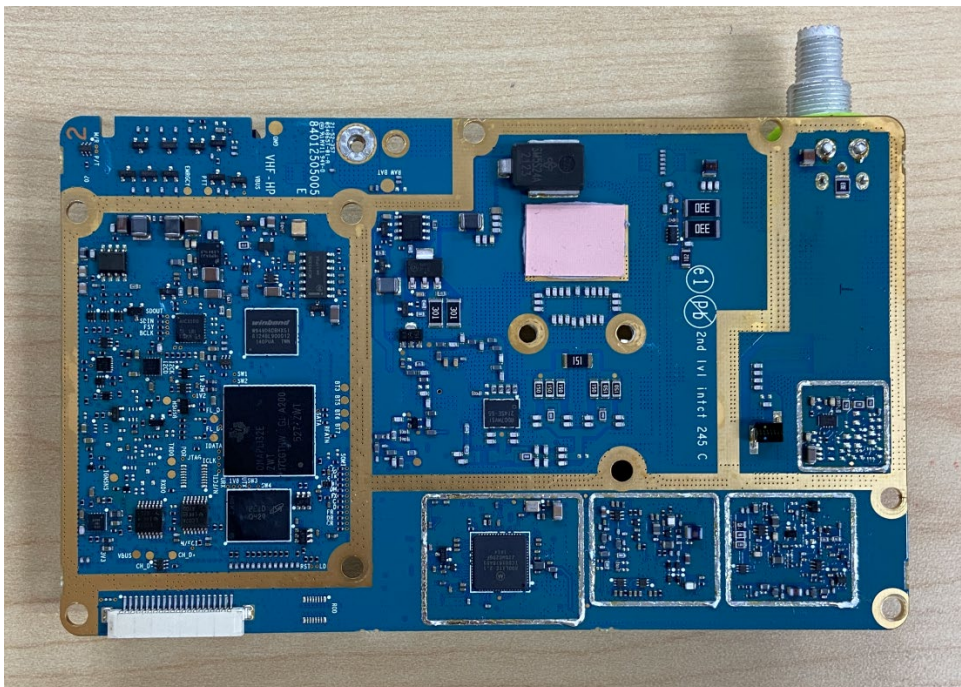


Exhibit 9E - RF boards with chassis and control head (Top), Model 1



(XPR2500)

Exhibit 9F - Chassis and control head (Bottom), Model 1



(XPR2500)

Exhibit 9G - RF boards with chassis and control head (Top), Model 2



(CM300d)

Exhibit 9H - Chassis and control head (Bottom). Model 2



(CM300d)

Exhibit 9I - RF boards with chassis and control head (Top), Model 3



(CM200d)

Exhibit 9J - Chassis and control head (Bottom), Model 3



(CM200d)

Exhibit 9K - GOB board (Top)

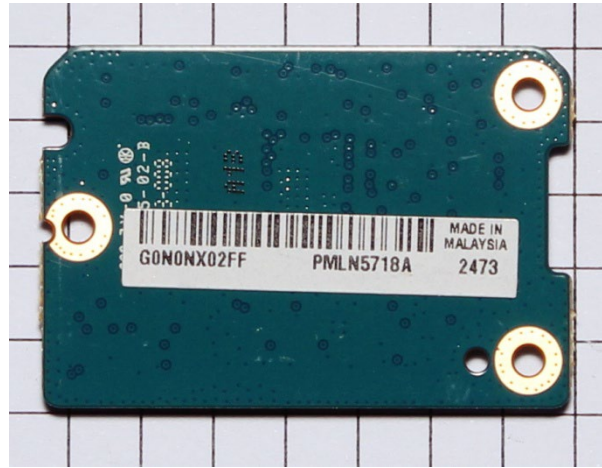


Exhibit 9L - GOB board with Shield (Bottom)

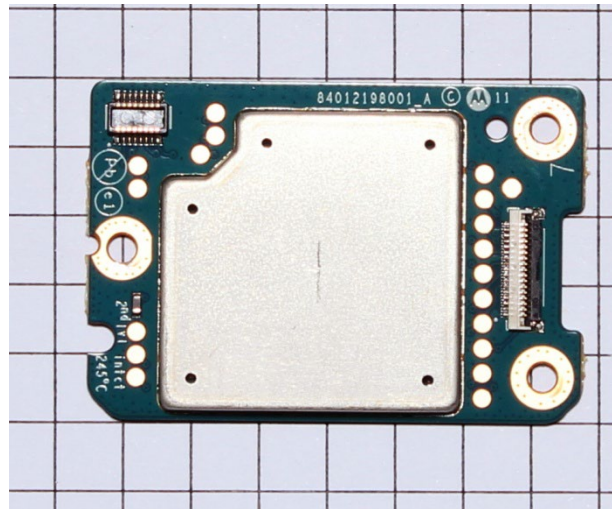


Exhibit 9M - GOB board without Shield (Bottom)

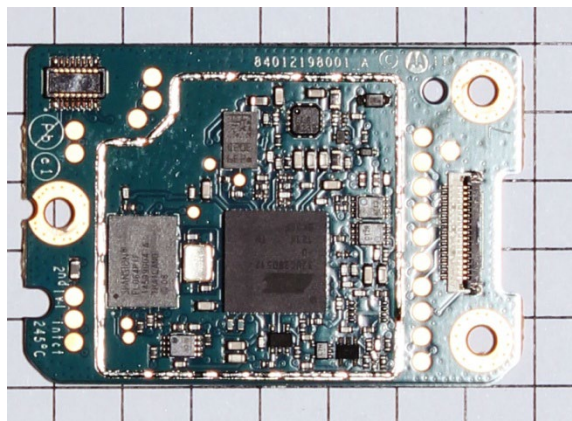


Exhibit 9N - Exploded view of Radio

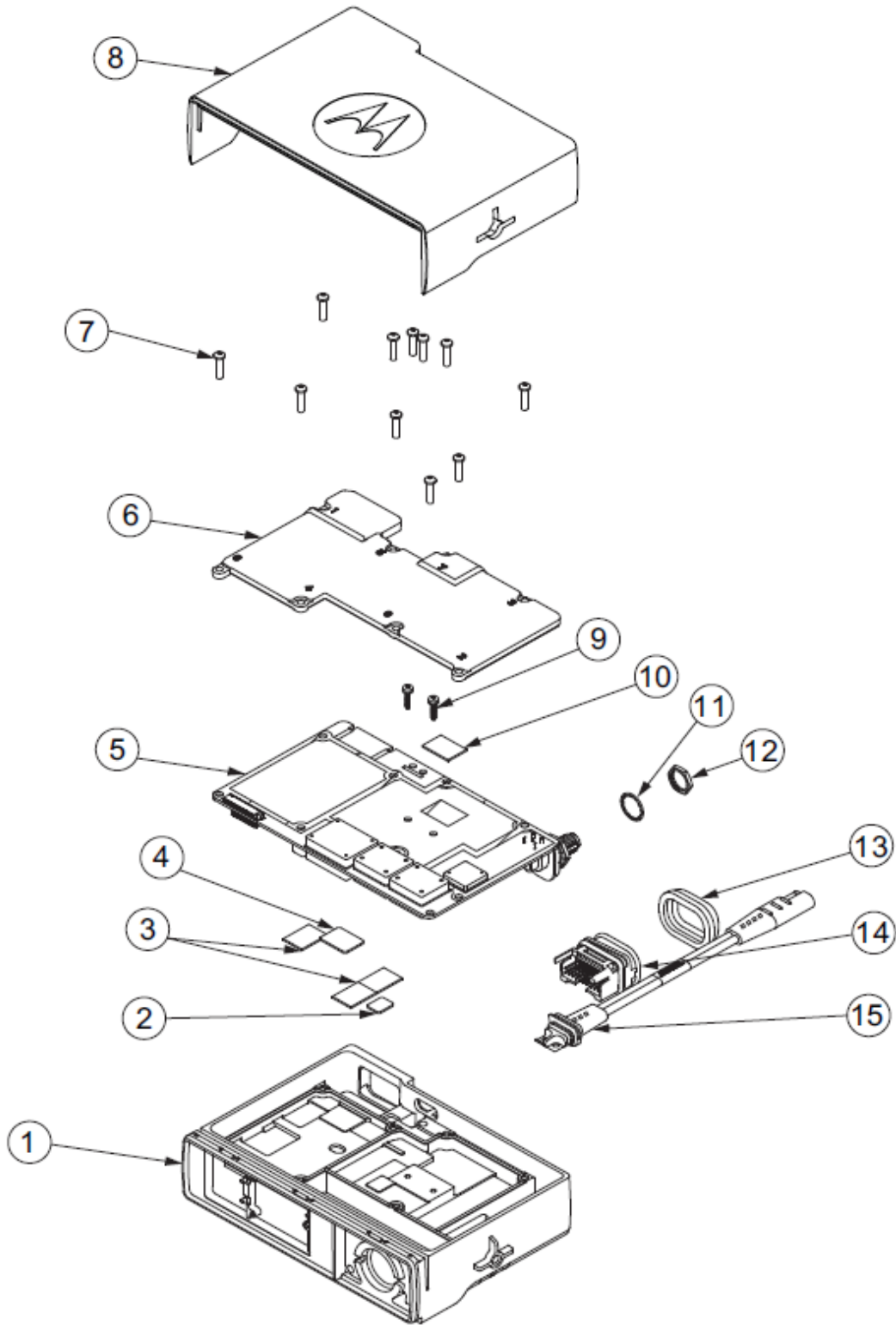


Exhibit 90 - Exploded view of Alphanumeric Display control head

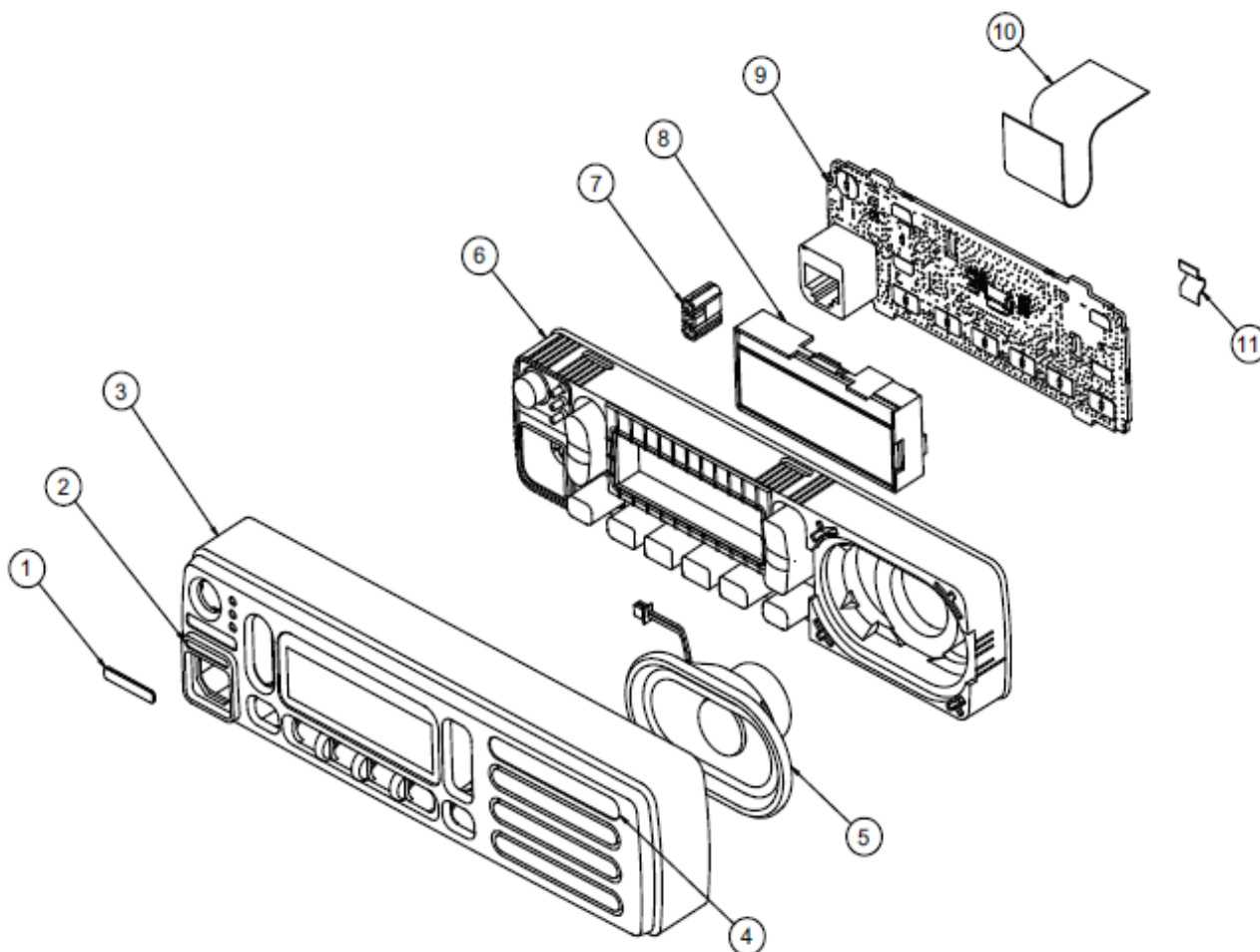
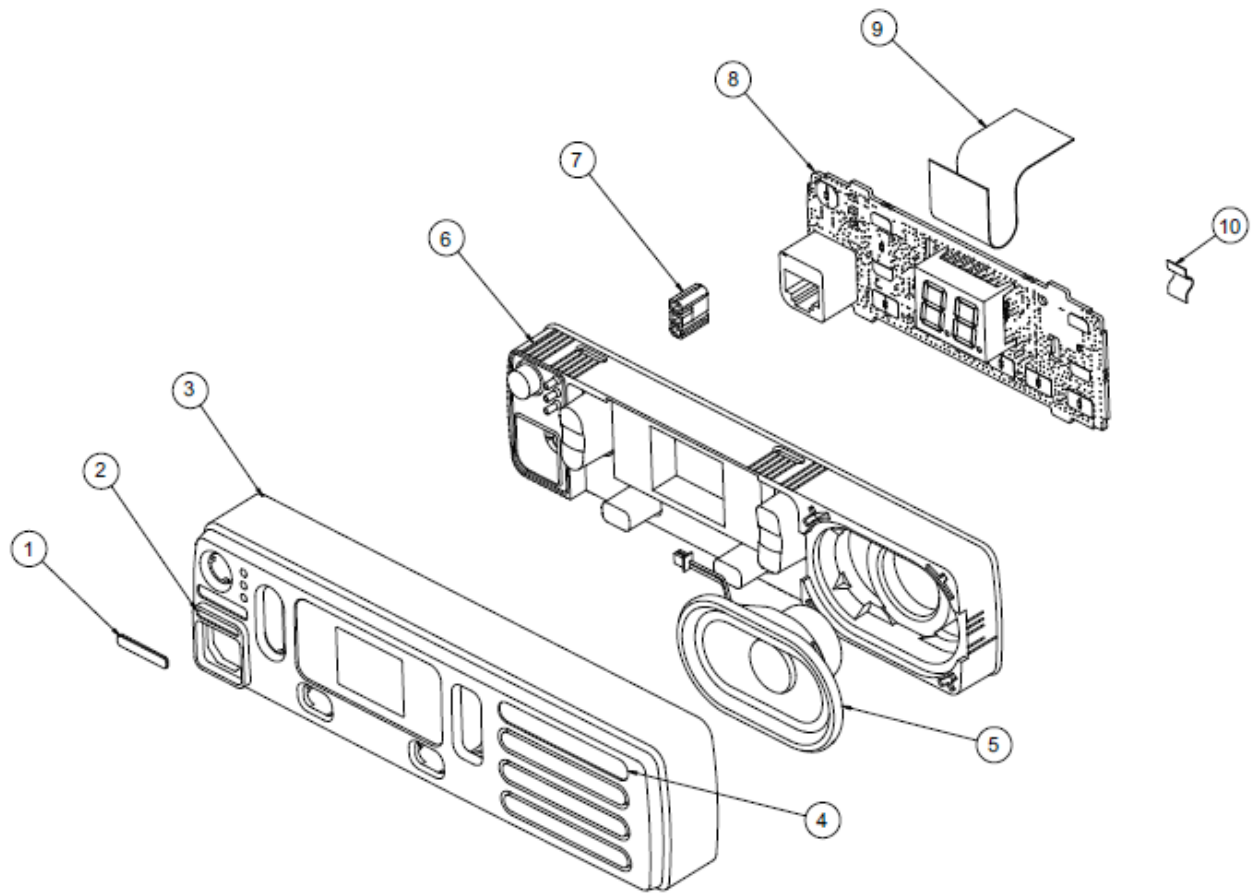


Exhibit 9P - Exploded view of Numeric Display control head



*** END ***