



EXHIBIT 4

Transmit Label Information

Applicant: Nortel Networks

For Original Equipment Filing on :

FCC: AB6NT800MFRM3

IC: 332D-800MFRM3

NORTEL

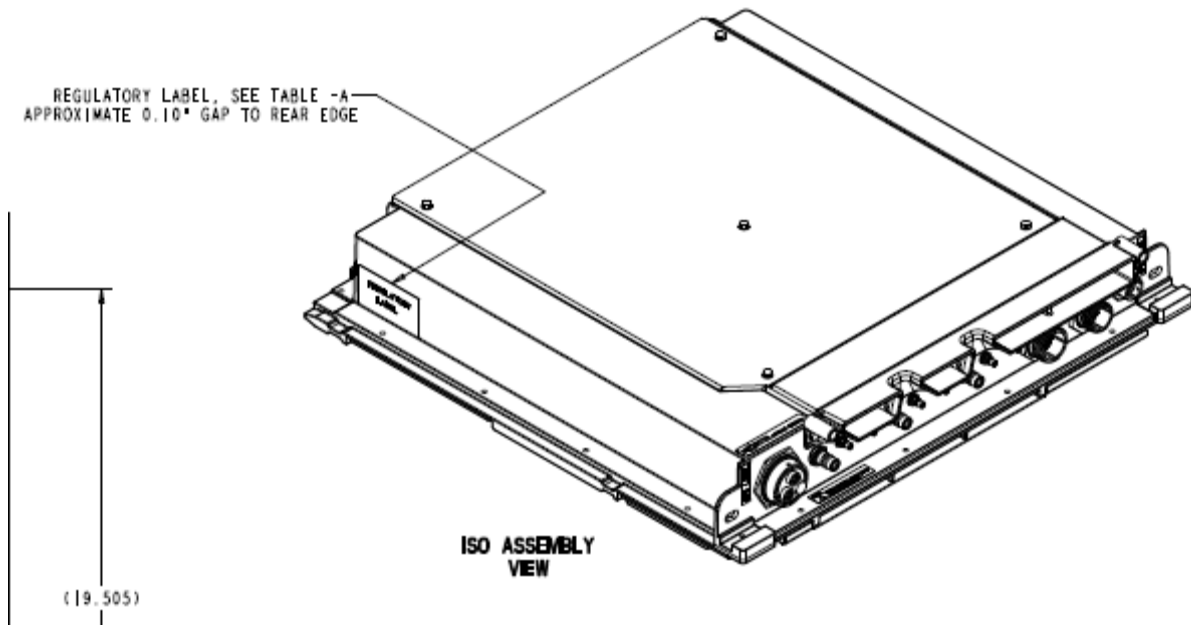


**CDMA MFRM-3 800MHz Radio Module
Model No. NTGZ70AA**

**FCC Tx ID: AB6NT800MFRM3
IC: 332D-800MFRM3**



**Nortel Networks
AB6NT800MFRM3
332D-800MFRM3
FCC Tx ID Label**



Nortel Networks
AB6NT800MFRM3
332D-800MFRM3
FCC Tx ID Label Location