



# **EXHIBIT 4**

## **Transmit Label Information**

**Applicant: Nortel Networks**

**For Original Equipment  
Application on:**

**FCC: AB6NT3011VBTS  
IC: 332D-3011VBTS**

**NORTEL**



**CDMA BTS 3011, BTS Unit**  
**Model No. NTDV70ABE5, NTDV70BBE5, NTDV70CBE5**

**FCC ID: AB6NT3011VBTS**  
**IC: 332D-3011VBTS**

**THIS DEVICE MEETS THE REQUIREMENTS IN 47CFR**  
**PART 68 AND IC CS-03**

**ACTA: AB6DENANVBTS3011**  
**IC: 332D-VBTS3011**

**Nortel Networks**  
**FCC ID: AB6NT3011VBTS**  
**IC: 332D-3011VBTS**  
**Sample Label**

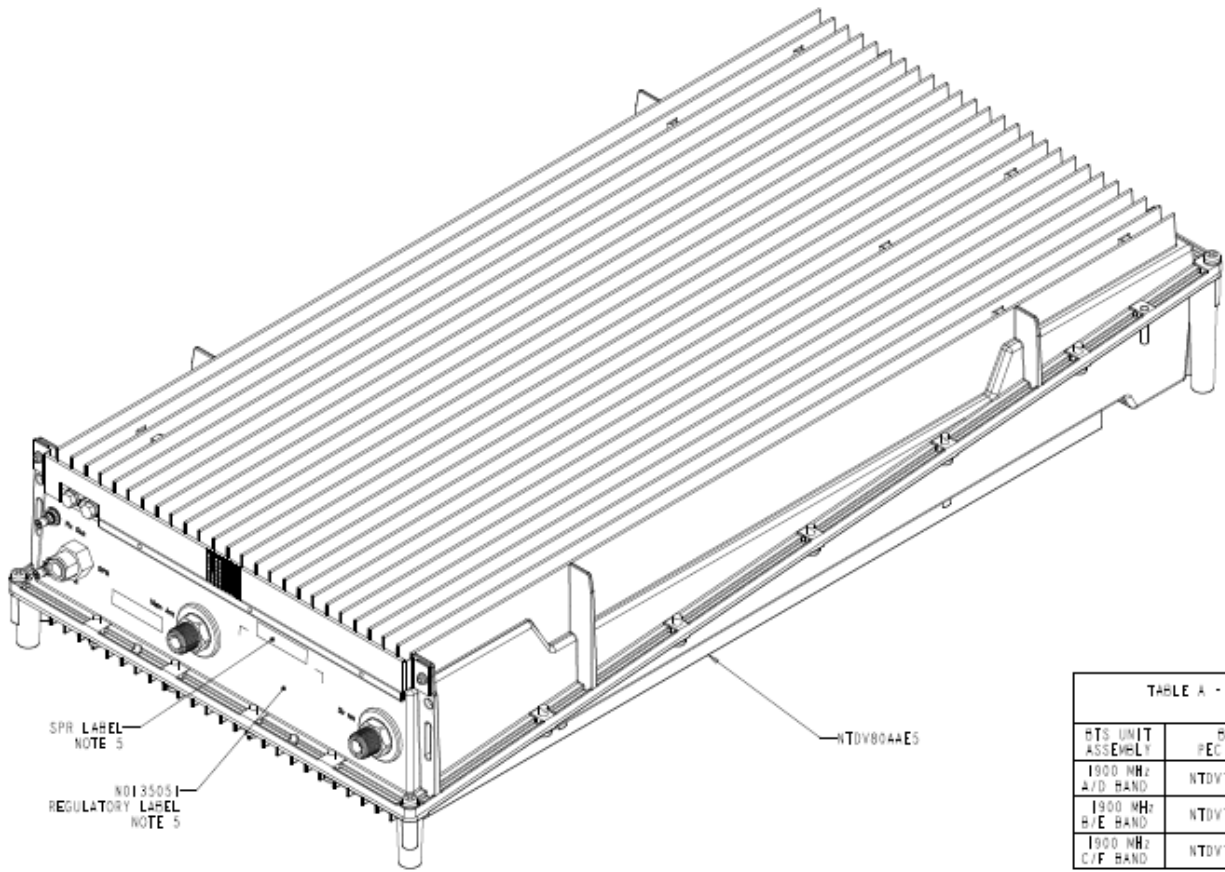


TABLE A -

BTS UNIT ASSEMBLY	REC
1900 MHz A/D BAND	NTDVT
1900 MHz B/E BAND	NTDVT
1900 MHz C/F BAND	NTDVT

**Nortel Networks**  
**FCC ID: AB6NT3011VBTS**  
**IC: 332D-3011VBTS**  
**Label Location**

This document contains Proprietary information of Nortel Networks. This information is considered to be confidential and should be treated appropriately.