



EXHIBIT 4

Transmit Label Information

Applicant: Nortel Networks

**For Original Equipment
Application on:**

FCC: AB6NT1900MFRM3

IC: 332D-1G9MFRM3

NORTEL

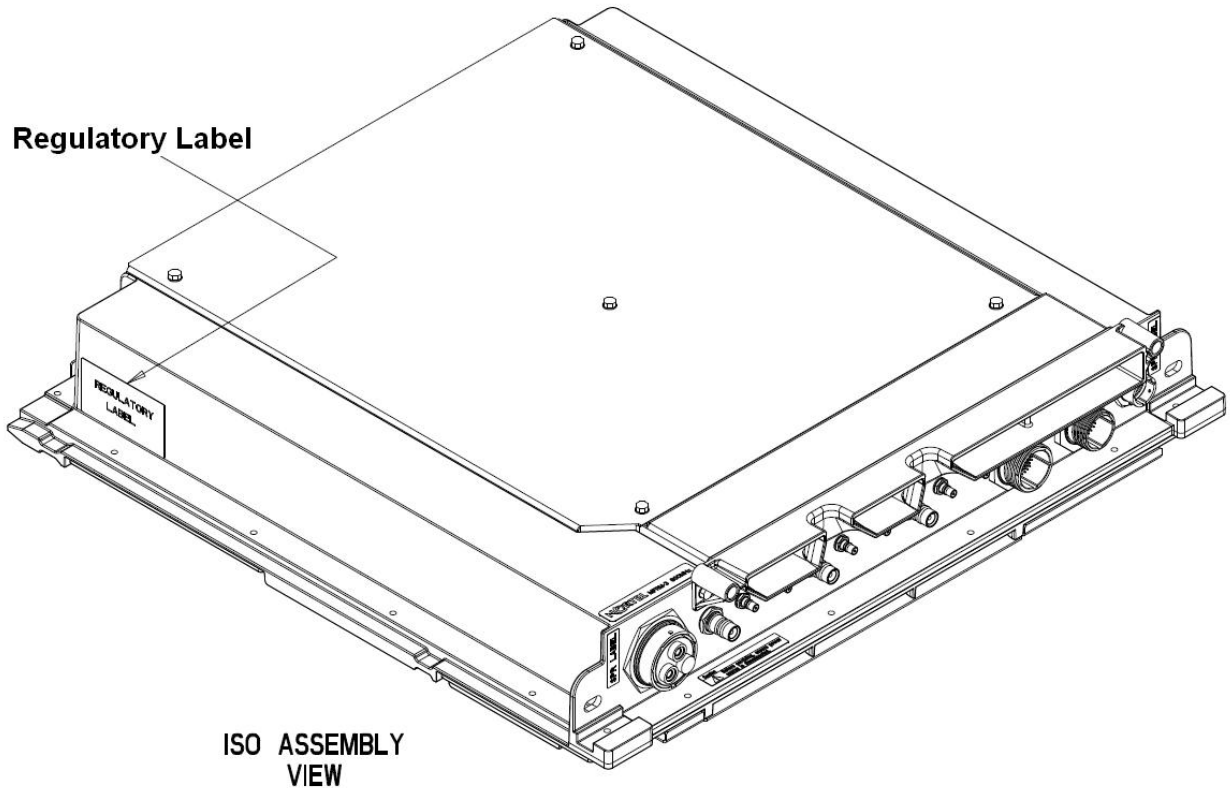


**CDMA MFRM-3 1900MHz Radio Module
Model No. NTGZ70BA**

**FCC ID: AB6NT1900MFRM3
IC: 332D-1G9MFRM3**



**Nortel Networks
FCC ID: AB6NT1900MFRM3
IC: 332D-1G9MFRM3
Sample Label**



Nortel Networks
FCC ID: AB6NT1900MFRM3
IC: 332D-1G9MFRM3
Label Location