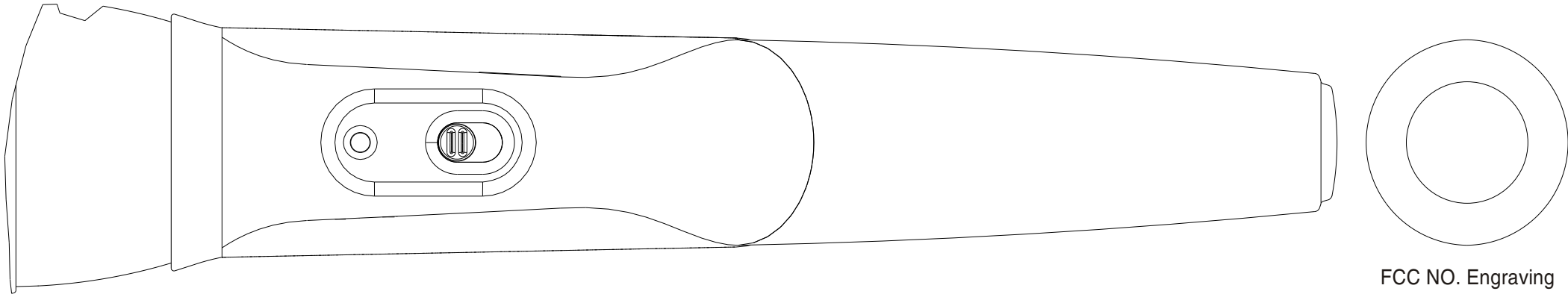
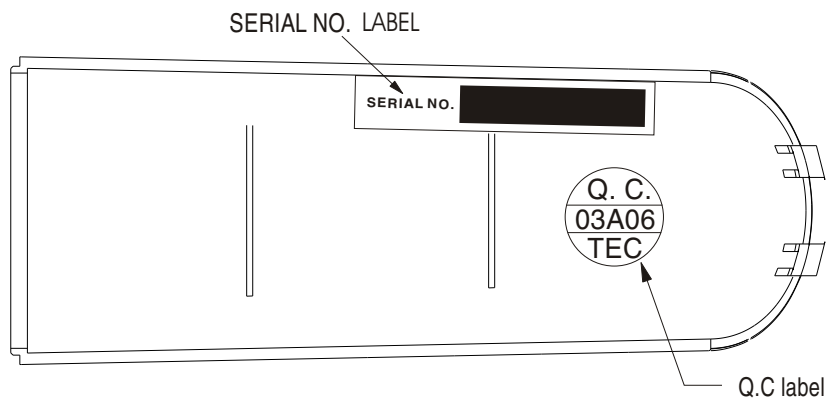
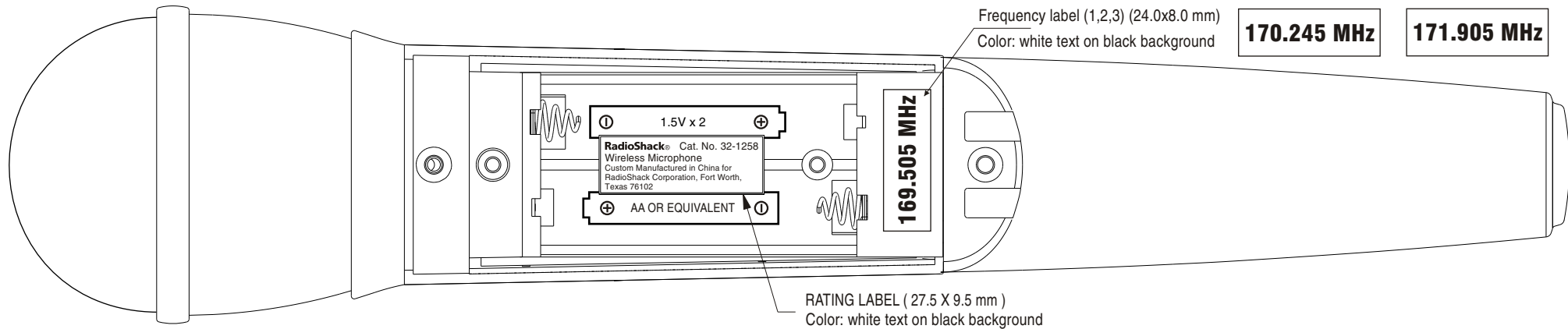
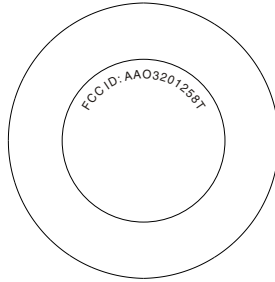



The other two different frequency label as below.



32-1258 TX label and location
SCALE 1:1

FCC No. Engraving



B			revise a/w to path	YCWu	4/24/06
A			Generated Label a/w	YCWu	2/8/06
REV	ECH NO.	ZONE	DESCRIPTION	DRAFT	DATE
MODEL		32-1258		DRAFT OR A/W	YCWu
DEST		USA		CHECKED	
PART NAME	TX bottom cabinet (Engraving)			APPROVED	
PART NO.				DATE	2/8/06
DWG. NO.				SCALE	1:1
ART NO.	E01258P04B				
PLS RETURN IMMEDIATELY AFT FILMED					
 TANDY RADIOSHACK LIMITED A Division of RadioShack Corporation					