

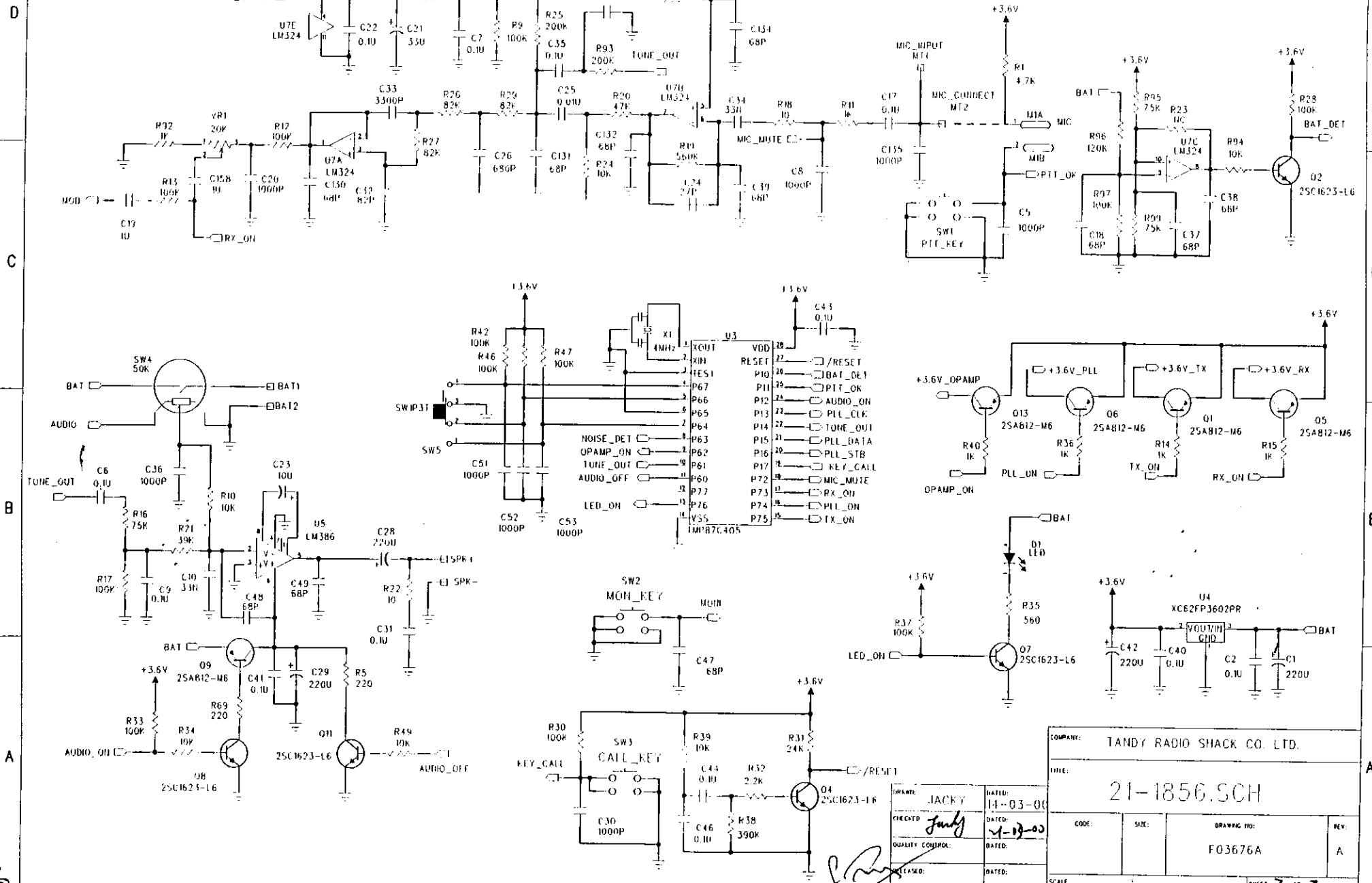
REVISION RECORD			
REV.	ECO. NO.	APPROVED.	DATE.

COMPANY: TANDY RADIO SHACK CO. LTD			
TITLE: 21-1856.SCH			
DATE: 14-03-00	CODE:	SIZE:	DRAWING NO: F03676A
DESIGNED BY: Jacky	DATE: 21-03-00	REV: A	
QUALITY CONTROL:			
RELEASED:			

Page 8

*[Handwritten signature]*

REVISION RECORD			
REV	ECO NO.	APPROVED	DATE



COMPANY: TANDY RADIO SHACK CO. LTD.			
TITLE: 21-1856.SCH			
CODE:	SIZE:	DRAWING NO: F03676A	REV: A
SCALE:	SHEET 2 OF 2		

page