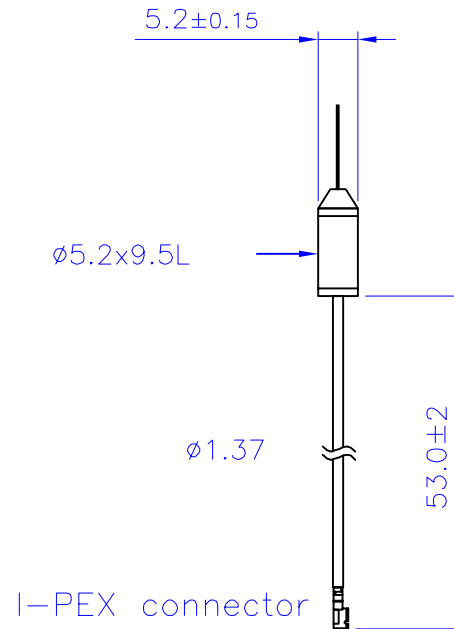


Electrical Properties:

Frequency Range: 5.725~5.850 GHz  
Impedance: 50Ω nominal  
VSWR: <2.0:1  
Gain: 2 dBi  
Radiation: Omni  
Polarization: Vertical

Mechanical Properties:

Connector: I-PEX Plug



TITLE	5.8GHz Antenna / No overmold	DATE	06/05/06	SHEET	1 OF 1
UNIT	mm	DWG. NO.	AA02_02159_v3	A4	
SCALE	<b>NEARSON</b>				
NONE					