



PRODUCT ASSURANCE ENGINEERING

A94926L Product Label



Product Label

Product Type: Wireless Earbud

Product Name/Number: Model Number(s): 926L (Bud) 438926 (Case/System)
FCC ID: A94926L
IC: 3232A-926L

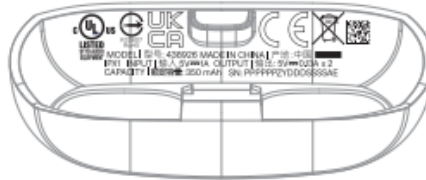
Prepared For: Product Assurance Engineering Department,
Bose Corporation

Postal Address of manufacturing Agency: The Mountain
Framingham, MA 01701
USA



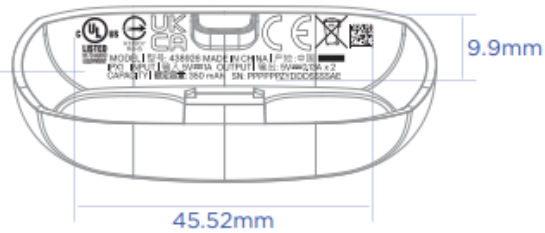
DRAFT ONLY
NOT PRODUCTION INTENT

UPPER TRAY GRAPHIC
(PROJECTED ON 3D SURFACE)



UPPER TRAY GRAPHIC FLAT
(NOT PROJECTED ON 3D SURFACE)

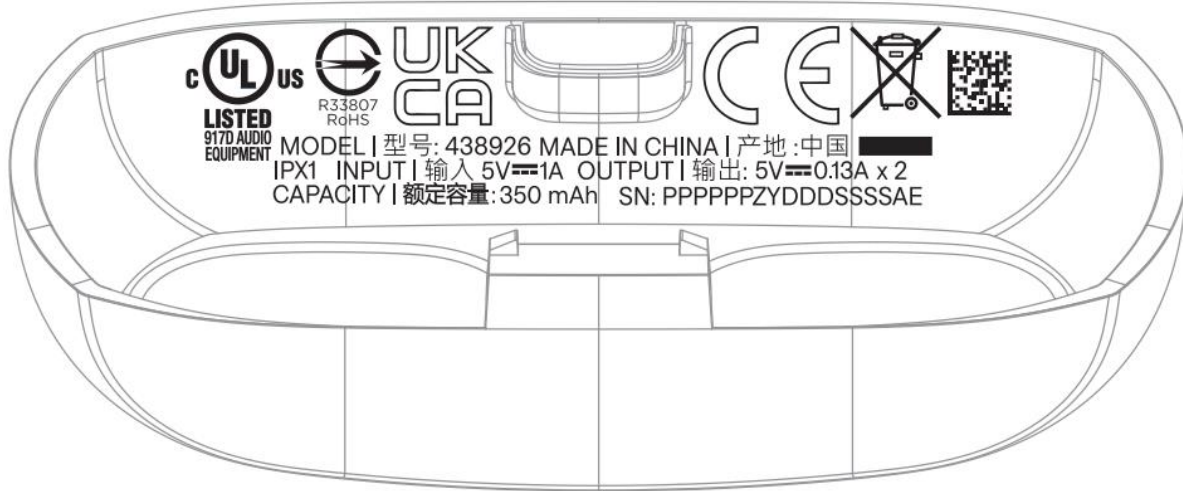
Font: Bose Text
Font Weight: Regular



NOTE: PART OUTLINE SHOWN IN GRAY & DIMENSIONS IN RED FOR REFERENCE ONLY

AM***** (PRELIMINARY ARTWORK ONLY)
SHEET 1

AUGUST 15, 2023
BOSE CORPORATION

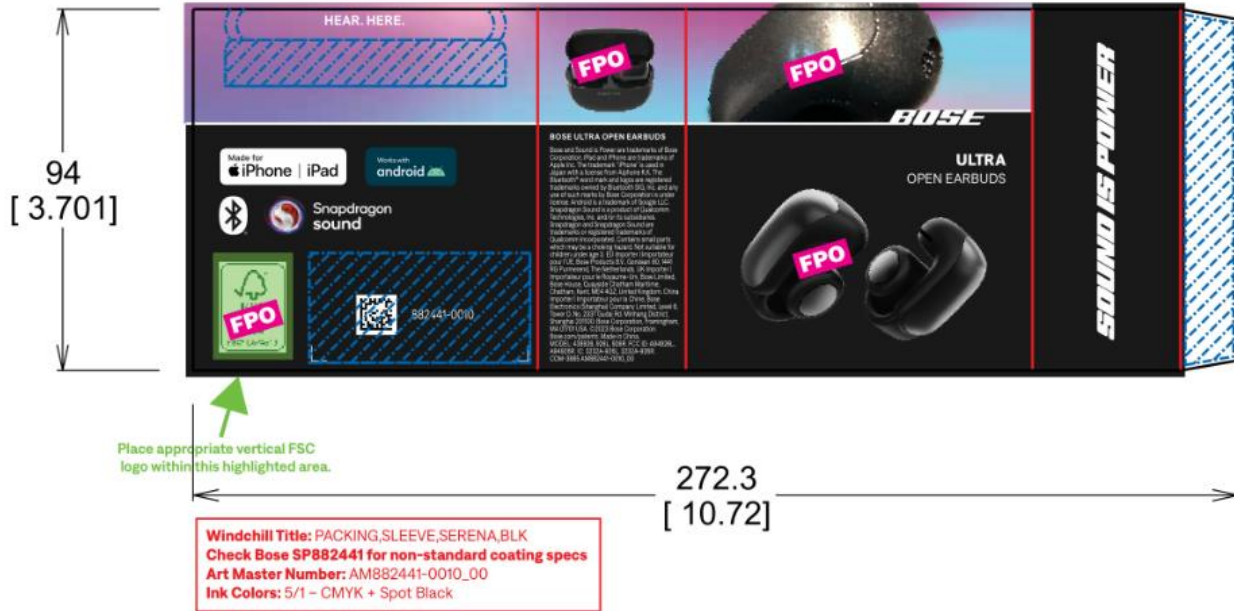


UPPER TRAY GRAPHIC FLAT (NOT PROJECTED ON 3D SURFACE)





OUTSIDE VIEW





BOSE ULTRA OPEN EARBUDS

Bose and Sound is Power are trademarks of Bose Corporation. iPad and iPhone are trademarks of Apple Inc. The trademark "iPhone" is used in Japan with a license from Alphone K.K. The Bluetooth® word mark and logos are registered trademarks owned by Bluetooth SIG, Inc. and any use of such marks by Bose Corporation is under license. Android is a trademark of Google LLC. Snapdragon Sound is a product of Qualcomm Technologies, Inc. and/or its subsidiaries. Snapdragon and Snapdragon Sound are trademarks or registered trademarks of Qualcomm Incorporated. Contains small parts which may be a choking hazard. Not suitable for children under age 3. EU Importer | Importateur pour l'UE, Bose Products B.V., Gorslaan 60, 1441 RG Purmerend, The Netherlands. UK Importer | Importateur pour le Royaume-Uni, Bose Limited, Bose House, Quayside Chatham Maritime, Chatham, Kent, ME4 4QZ, United Kingdom. China Importer | Importateur pour la Chine, Bose Electronics (Shanghai) Company Limited, Level 6, Tower D, No. 2337 Gudai Rd. Minhang District, Shanghai 201100. Bose Corporation, Framingham, MA 01701 USA. ©2023 Bose Corporation. Bose.com/patents. Made in China. MODEL: 438926, 926L, 926R. FCC ID: A94926L, A94926R. IC: 3232A-926L, 3232A-926R. COM-3885 AM882441-0010_00