

Antenna

Left side



LDS antenna

Touch pad

Right side



Touch pad

LDS antenna

Antenna Efficiency and Peak gain

		unit	Frequency (MHz)									
			2400	2410	2420	2430	2440	2450	2460	2470	2480	AVG
Left side	Efficiency	(dB)	-6.81	-6.83	-6.78	-6.73	-6.71	-6.68	-6.65	-6.59	-6.56	-6.70
		(%)	20.83	20.75	21.01	21.26	21.34	21.46	21.64	21.91	22.10	21.37
	Peak gain	(dBi)	0.96	0.89	0.95	1.01	0.98	0.93	0.86	0.72	0.53	0.87
Right side	Efficiency	(dB)	-6.23	-6.23	-6.15	-6.08	-6.06	-6.01	-5.95	-5.88	-5.82	-6.05
		(%)	23.83	23.81	24.26	24.67	24.77	25.06	25.41	25.83	26.17	24.87
	Peak gain	(dBi)	0.97	0.85	0.81	0.72	0.59	0.49	0.39	0.29	0.23	0.59

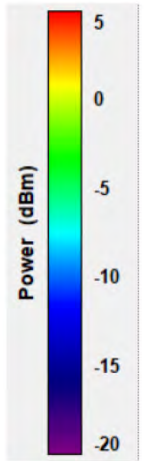
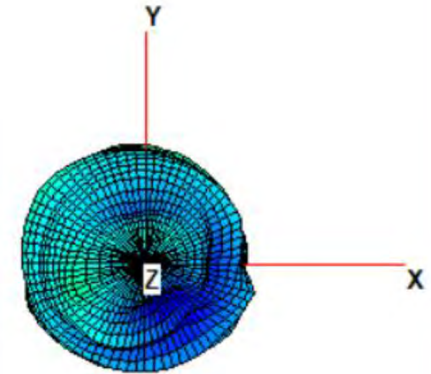
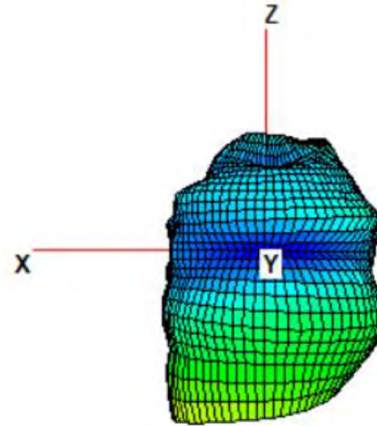
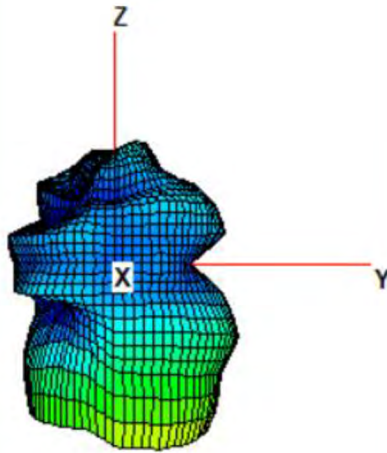
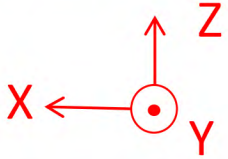
- Left earbud: the maximum gain is 1.01 dBi.
- Right earbud: the maximum gain is 0.97 dBi.

Radiation pattern

Stereo Frequency 2.44GHz

Scale

Left side



Right side

