

DRAFT ONLY
NOT PRODUCTION INTENT

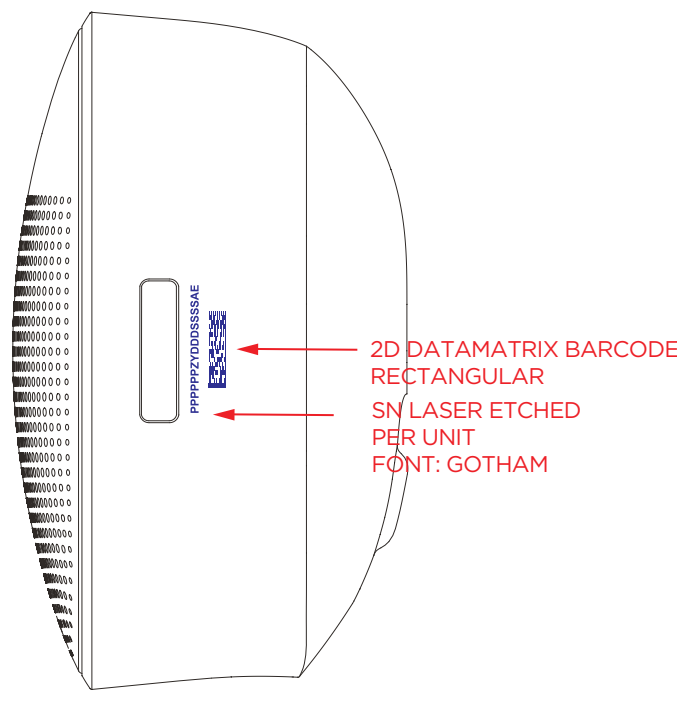


FIGURE 2.0
SERIAL NUMBER

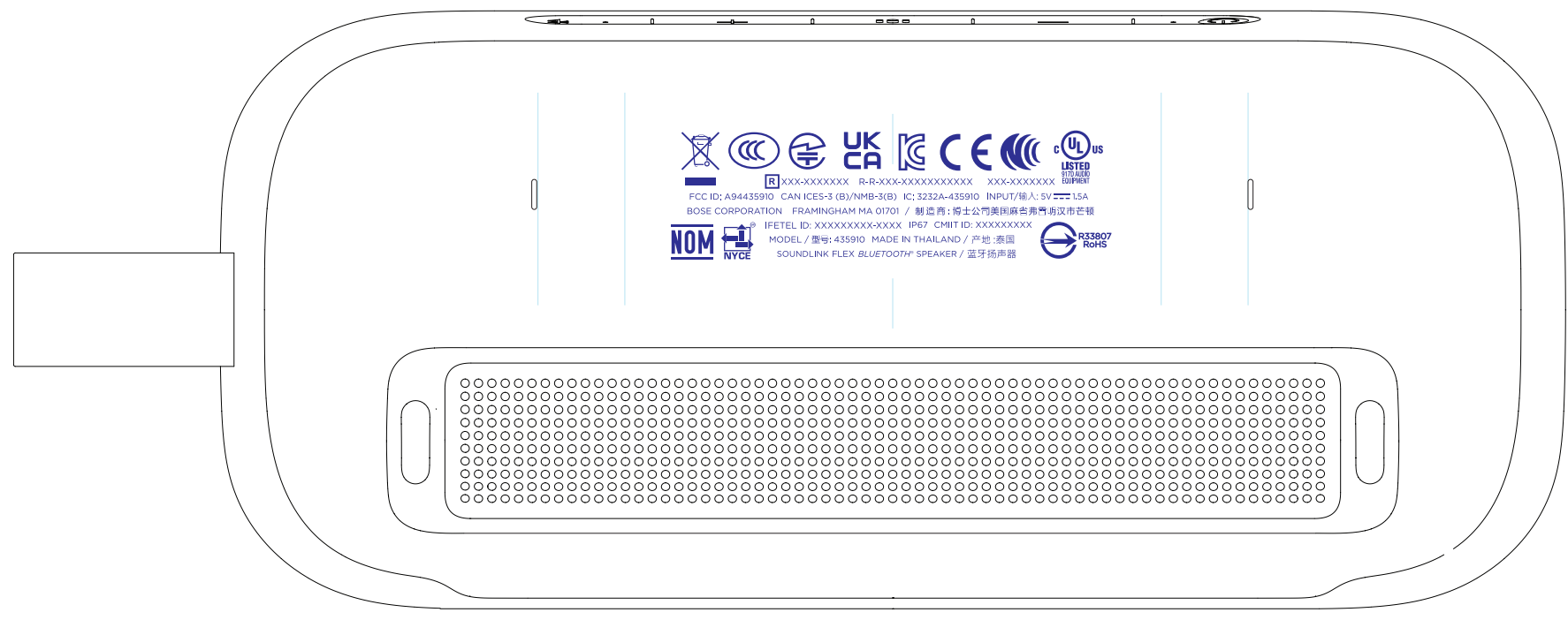
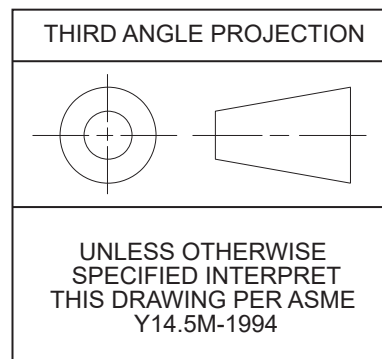


FIGURE 1.0
DEVICE MARKINGS
NOTE: SCALE 1:1

MATERIAL NUMBER	SKU DESCRIPTION	MATERIAL ID
865983-0900	SoundLink® Flex, BLUETOOTH SPEAKER, TERRA, WW	083204
865983-0700	SoundLink® Flex, BLUETOOTH SPEAKER, DARK FOREST, WW	083206
865983-0600	SoundLink® Flex, BLUETOOTH SPEAKER, DEEP EMERALD, WW	083203
865983-0500	SoundLink® Flex, BLUETOOTH SPEAKER, STONE BLUE, WW	083203
865983-0400	SoundLink® Flex, BLUETOOTH SPEAKER, CARMINE, WW	083207
865983-0200	SoundLink® Flex, BLUETOOTH SPEAKER, WHITE SMOKE, WW	083202
865983-0100	SoundLink® Flex, BLUETOOTH SPEAKER, BLACK, WW	083201

1D BARCODE 17 DIGIT FORMAT					
EXAMPLE (FINAL ASSY): P P P P P Z D D D D S S S S A E					
POSITION	SIZE	TYPE	EXAMPLE	DESCRIPTION	
1-6	6	N	PPPPPP	BOSE PRODUCT CODE / MATERIAL ID #	
7	1	AN	J	PLANT CODE (NON BOSE BUILT)	
8-11	4	N	<u>DDDD</u>	DATE OF MANUFACTURE (195th DAY OF YEAR 2000, VALUE IS UNDERLINED)	
12-15	4	N	SSSS	SEQUENCE NUMBER (5th PRODUCT BUILT ON THIS DATE)	
16	1	A	A	NUMBER OF ITEMS IN THE PRODUCT (A=001, RECEIVER) (B=002, TRANSMITTER)	
17	1	A	E	UNIT MEASURE (C=CARTON)	



THIRD ANGLE PROJECTION

APPROVALS

ALL SIGNATURES ARE ELECTRONICALLY STORED IN THE BOSE PLM SYSTEM

NOTICE

BOSE CORP PROPRIETARY RIGHTS ARE INCLUDED HEREIN. THIS INFORMATION MAY NOT BE COPIED, TRANSFERRED OR DISCLOSED EXCEPT AS AUTHORIZED BY BOSE CORP

UNLESS OTHERWISE SPECIFIED INTERPRET THIS DRAWING PER ASME Y14.5M-1994

SAFETY CONTROLLED			
 FRAMINGHAM, MA 01701-9168			
DESCRIPTION			
GRAPHICS, ENCLOSURE, REAR			
OWNER:	LOU CORREIA	DATE:	MAY 27, 2021
SIZE	CAGE CODE	DOCUMENT NO.	REVISION
C	32108	GR864192	
SCALE:	1 : 1	STATE	SHEET 1 OF 1