

## EMC 441408 Antenna Specifications:

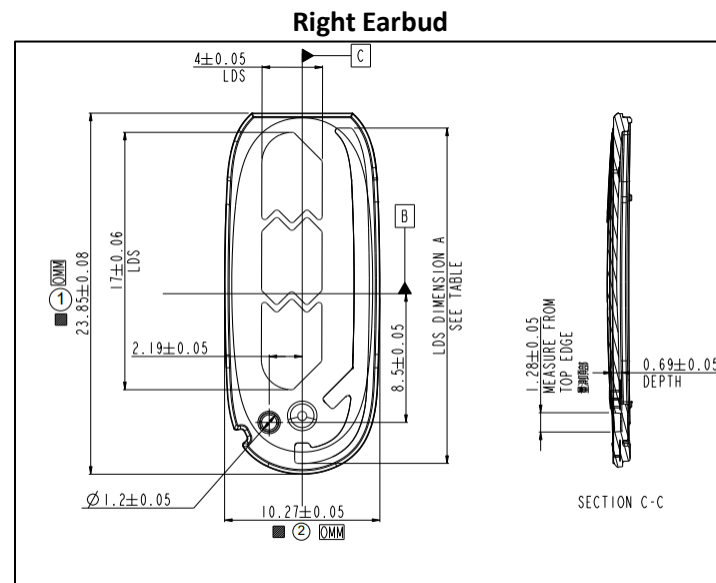
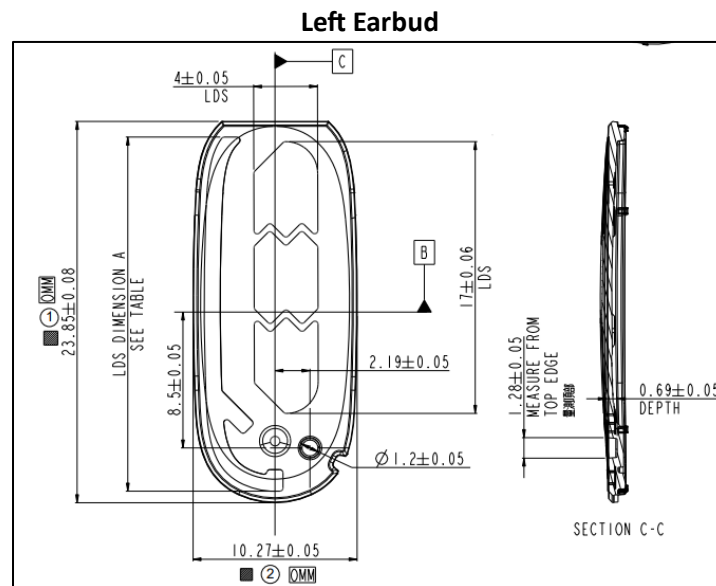
**Antenna manufacture:** Merry Electronics Co, LTD. Taiwan

**Antenna type:** Inverted F, LDS = Laser Direct Sequence

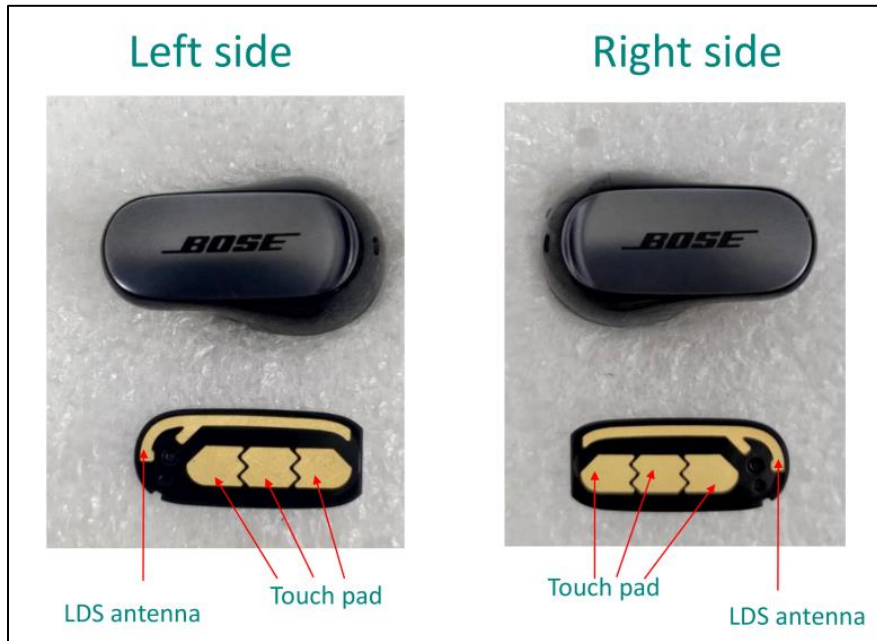
**Antenna measurement method:**

CTIA Test Plan for Wireless Device Over-the-Air Performance Method of Measurement for Radiated RF Power, version 3.8.2 April 2019, Appendix A1.2, B.3

**Antenna Dimensions:**



Antenna Photos:



Measured antenna gain

|            |            | unit  | Frequency (MHz) |       |       |       |       |       |       |       |       |       |
|------------|------------|-------|-----------------|-------|-------|-------|-------|-------|-------|-------|-------|-------|
|            |            |       | 2400            | 2410  | 2420  | 2430  | 2440  | 2450  | 2460  | 2470  | 2480  | AVG   |
| Left side  | Efficiency | (dB)  | -6.79           | -6.50 | -6.29 | -6.16 | -5.97 | -5.84 | -5.67 | -5.54 | -5.41 | -6.02 |
|            |            | (%)   | 20.94           | 22.37 | 23.47 | 24.23 | 25.29 | 26.07 | 27.12 | 27.95 | 28.77 | 25.14 |
|            | Peak gain  | (dBi) | 0.02            | 0.21  | 0.34  | 0.45  | 0.47  | 0.48  | 0.55  | 0.56  | 0.58  | 0.41  |
| Right side | Efficiency | (dB)  | -6.60           | -6.51 | -6.44 | -6.39 | -6.30 | -6.25 | -6.13 | -6.06 | -6.01 | -6.30 |
|            |            | (%)   | 21.86           | 22.32 | 22.69 | 22.95 | 23.47 | 23.74 | 24.37 | 24.78 | 25.06 | 23.47 |
|            | Peak gain  | (dBi) | 0.86            | 0.83  | 0.77  | 0.68  | 0.56  | 0.34  | 0.21  | 0.12  | -0.03 | 0.48  |

- Left earbud: the maximum gain is 0.58 dBi.
- Right earbud: the maximum gain is 0.86 dBi.

### Antenna radiation pattern

