

Circuit Operation:

Remote Control Block Diagram

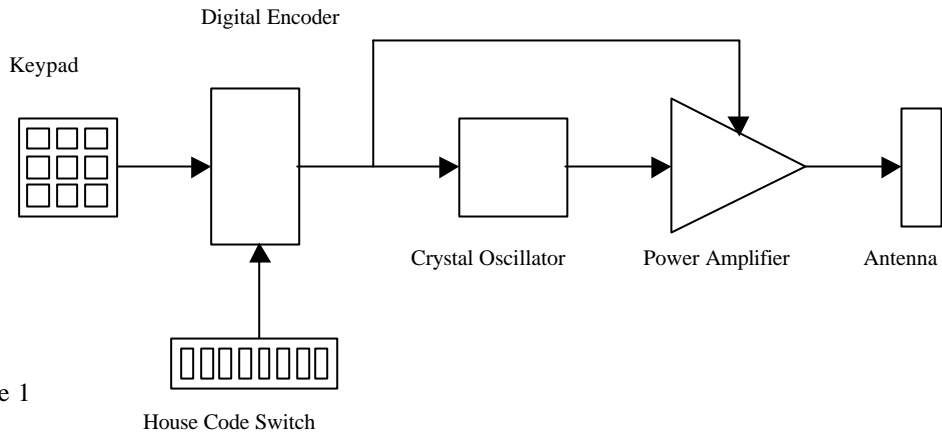


Figure 1

- Y1: Crystal oscillator 27.145 MHz (Transmitter)
- Y2: Clock generator 4.0 MHz (Micro processor)