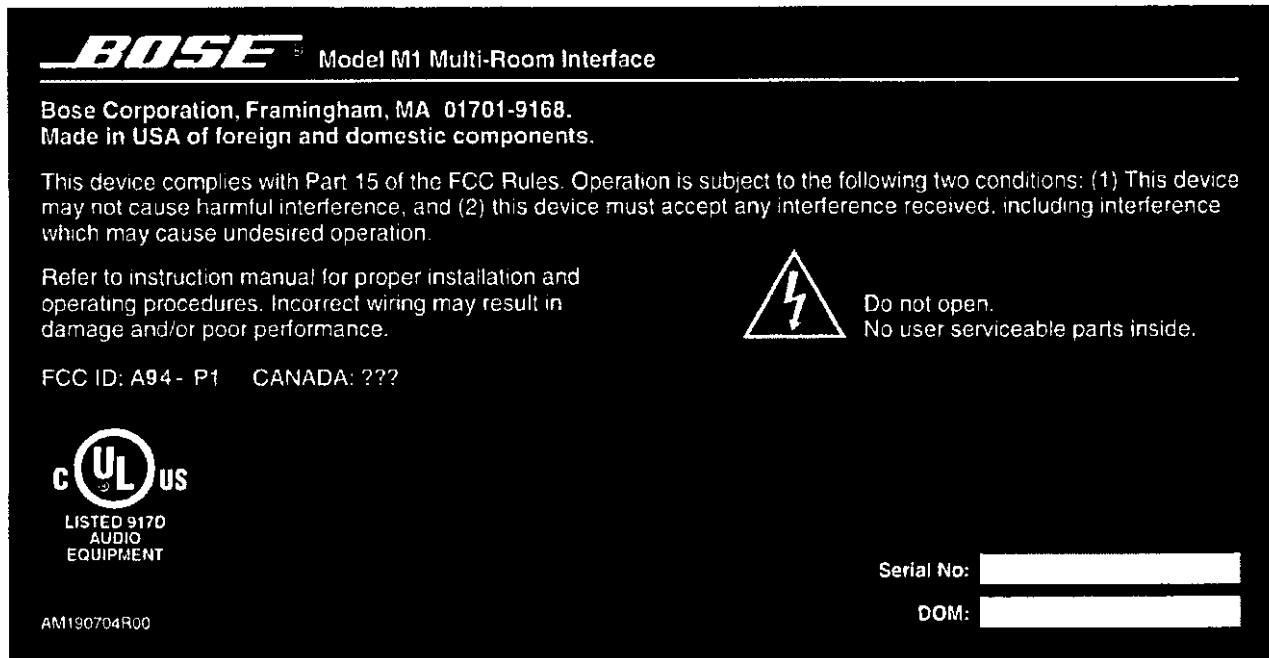


EXHIBIT 5

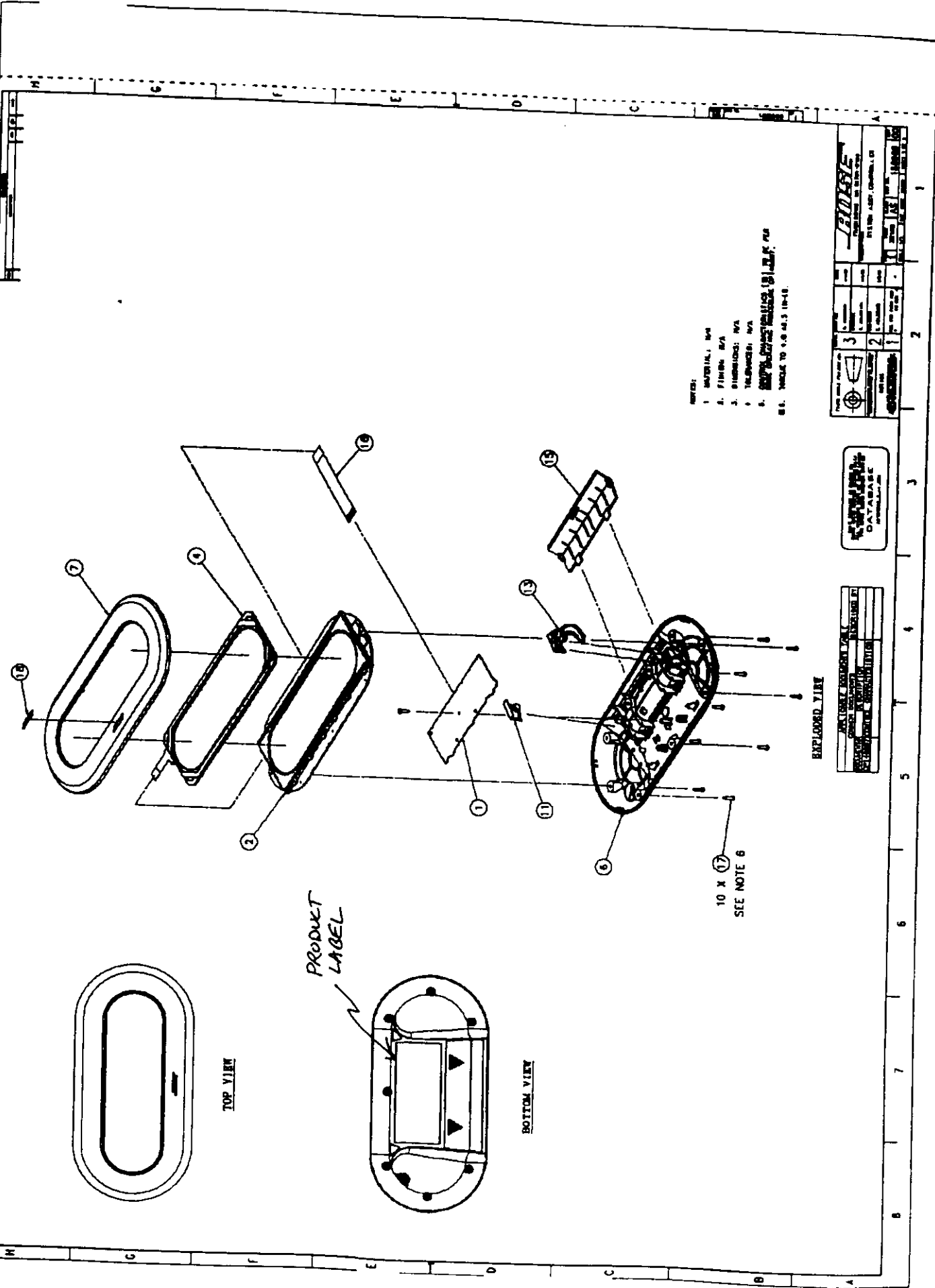
5.0 Product Labeling

5.1 Label Artwork

The label shown in the attached will be permanently affixed to the system at the location shown in Exhibit 5.2.



Label 1: Personal Music Center (remote)



- NOTES:
1. MATERIAL: S45
 2. FINISH: B/A
 3. DIMENSIONS: N/A
 4. TOLERANCES: N/A
 5. TOLERANCES: N/A
 6. **REWORKED PARTS TO BE REWORKED**
 - 6.1. MAKE TO 4.0 (4.3) (4-4)

REV	DATE	BY	CHKD	APP'D
3				
2				
1				

DRAWN BY: **BRADY**
 CHECKED BY: **BRADY**
 DESIGNED BY: **BRADY**
 DATE: **10/10/00**

DATABASE

EMPLOYEE ID	EMPLOYEE NAME	EMPLOYEE TITLE

EMPLOYED_YR

10 X 17
SEE NOTE 6

TOP VIEW

BOTTOM VIEW

PRODUCT LABEL