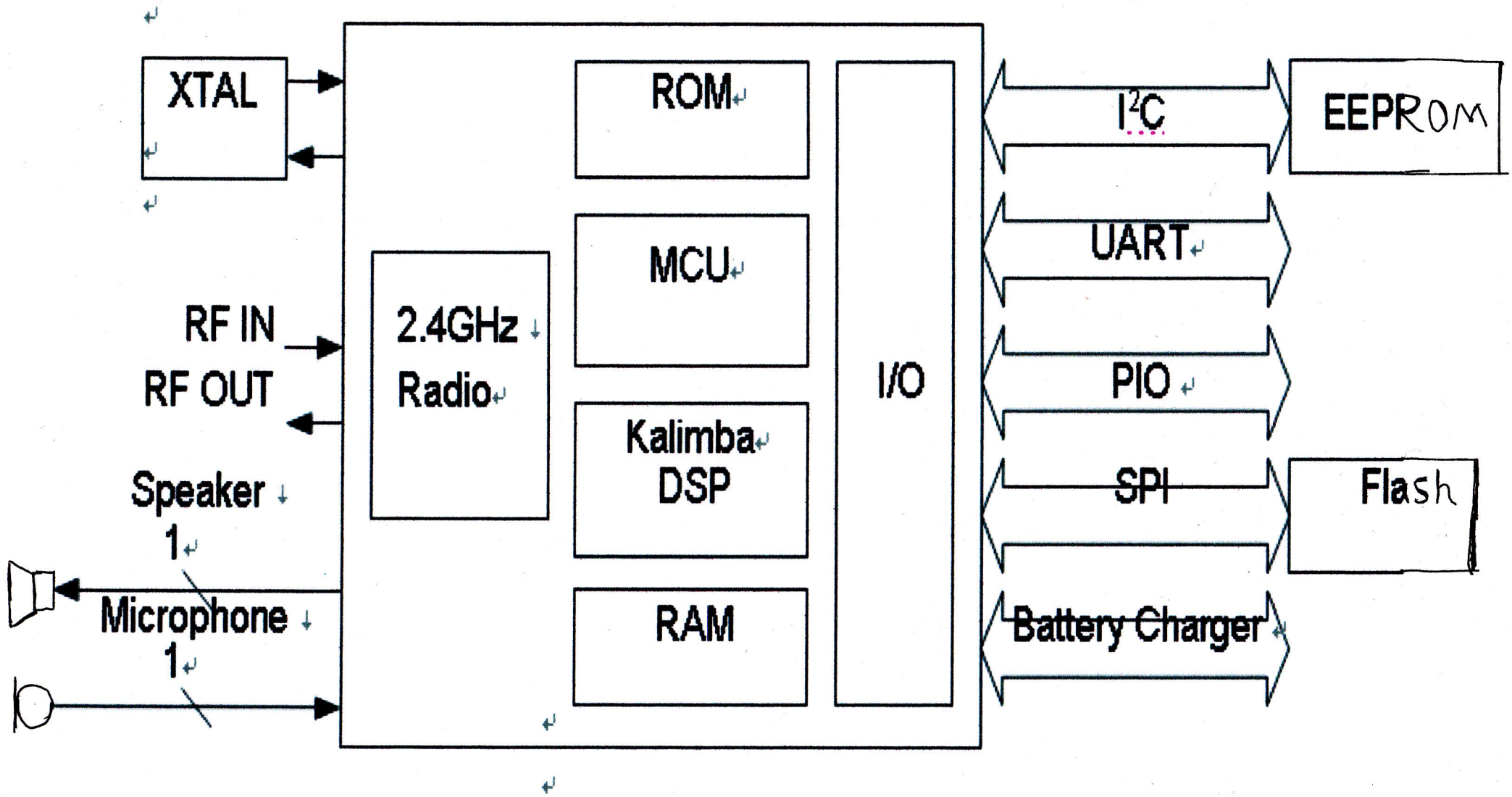


| | | | |
|-----|---------------|------------|---------|
| E | | | |
| D | | | |
| C | | | |
| B | | | |
| A | PROTOTYPE-A3 | 2012.08.10 | TYP |
| ISS | CHANG RECORDS | DATE | REVISER |

| | | | | |
|------------------------------------|-------------|-------|-----------|-----------------|
| Bluetune-pop TITLE:Schematic | REV | SHEET | MODEL: | DATE:2012.08.10 |
| | A | 1/1 | UNIT: N/A | SCALE: Free |
| MATERIAL:N/A | NO. | | APPROVAL | CHECKED |
| COATING:N/A | DRAWER: TYP | | | DESIGN |
| Shenzhen Divoom Telnology Co.,Ltd. | | | | TYP |
| | | | | 2012.08.10 |



Functional Block Diagram

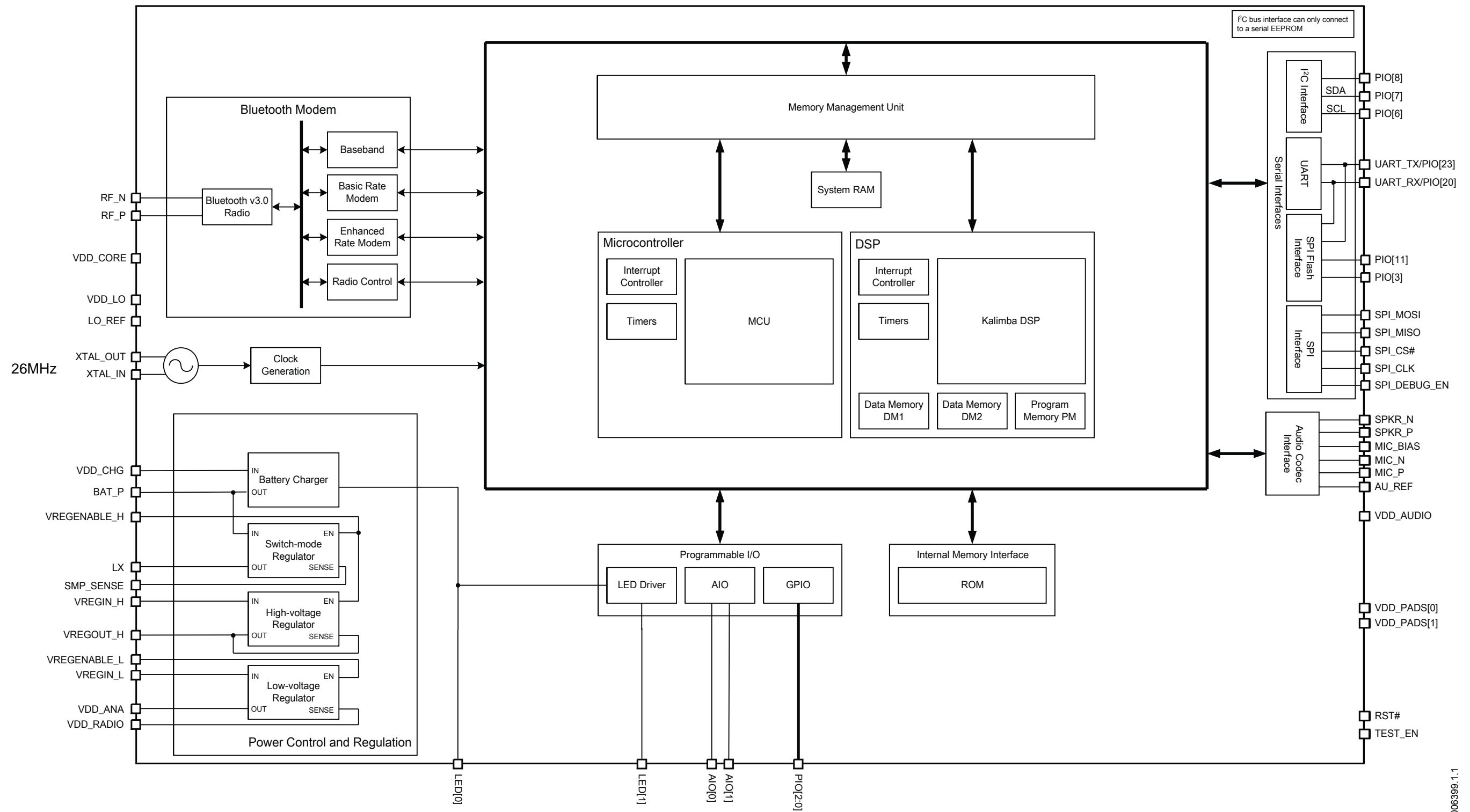


Figure : Functional Block Diagram