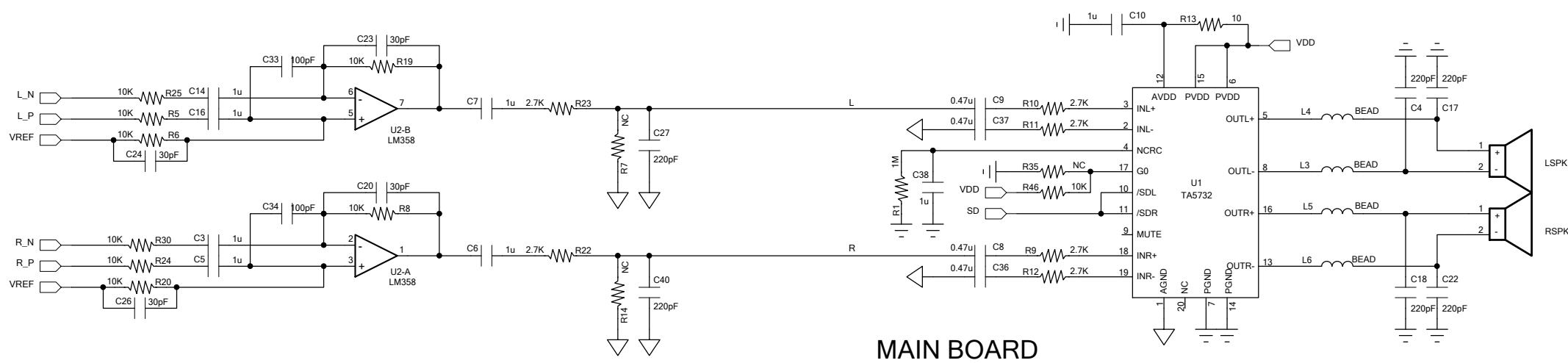
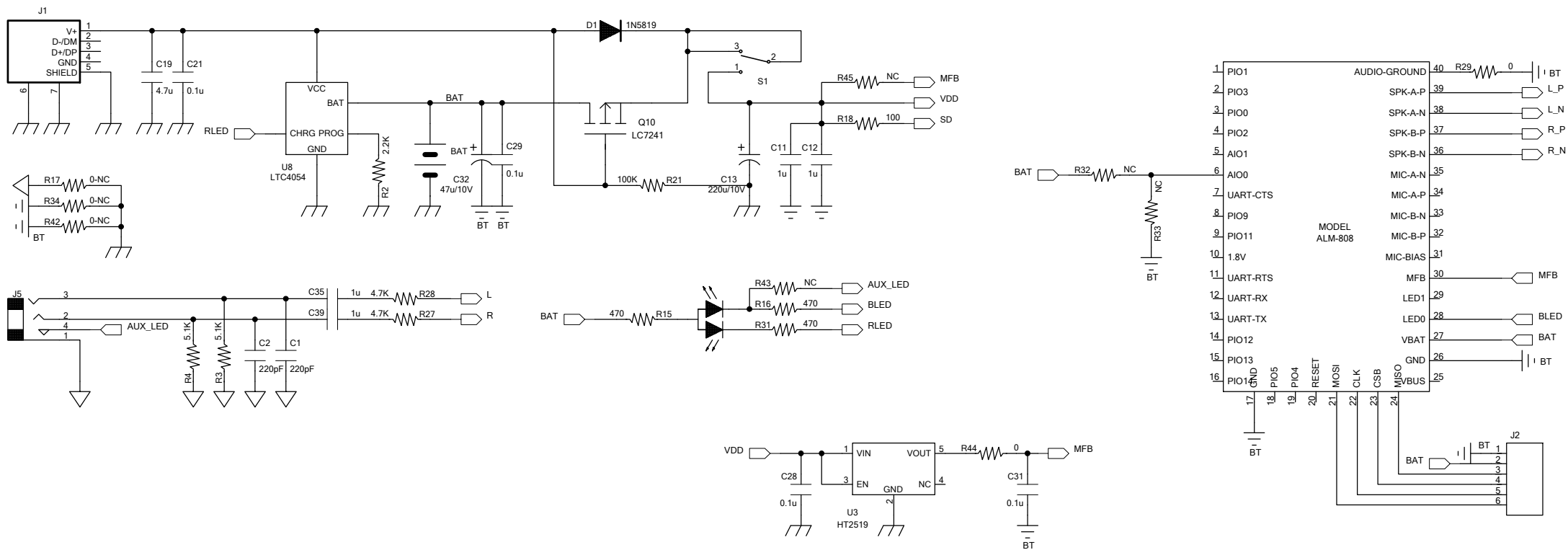
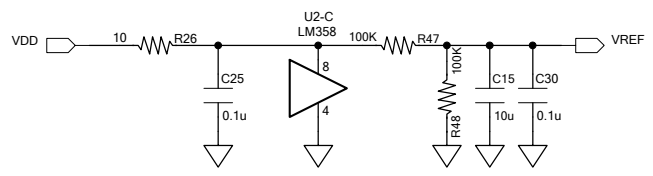


LTR	BDO NO.



**MAIN BOARD**



E			
D			
C			
B			
A	PROTOTYPE-A3	2012.08.25	TYP
ISS	CHANG RECORDS	DATE	REVISER

iFit-3 BT TITLE:Schematic	REV	SHEET	MODEL:	DATE:2012.08.25
	A	1/1	UNIT: N/A	SCALE: Free
MATERIAL:N/A	NO.		APPROVAL	CHECKED
COATING:N/A	DRAWER: TYP			DESIGN
Shenzhen Divoom Telnology Co.,Ltd.				TYP
				2012.08.25