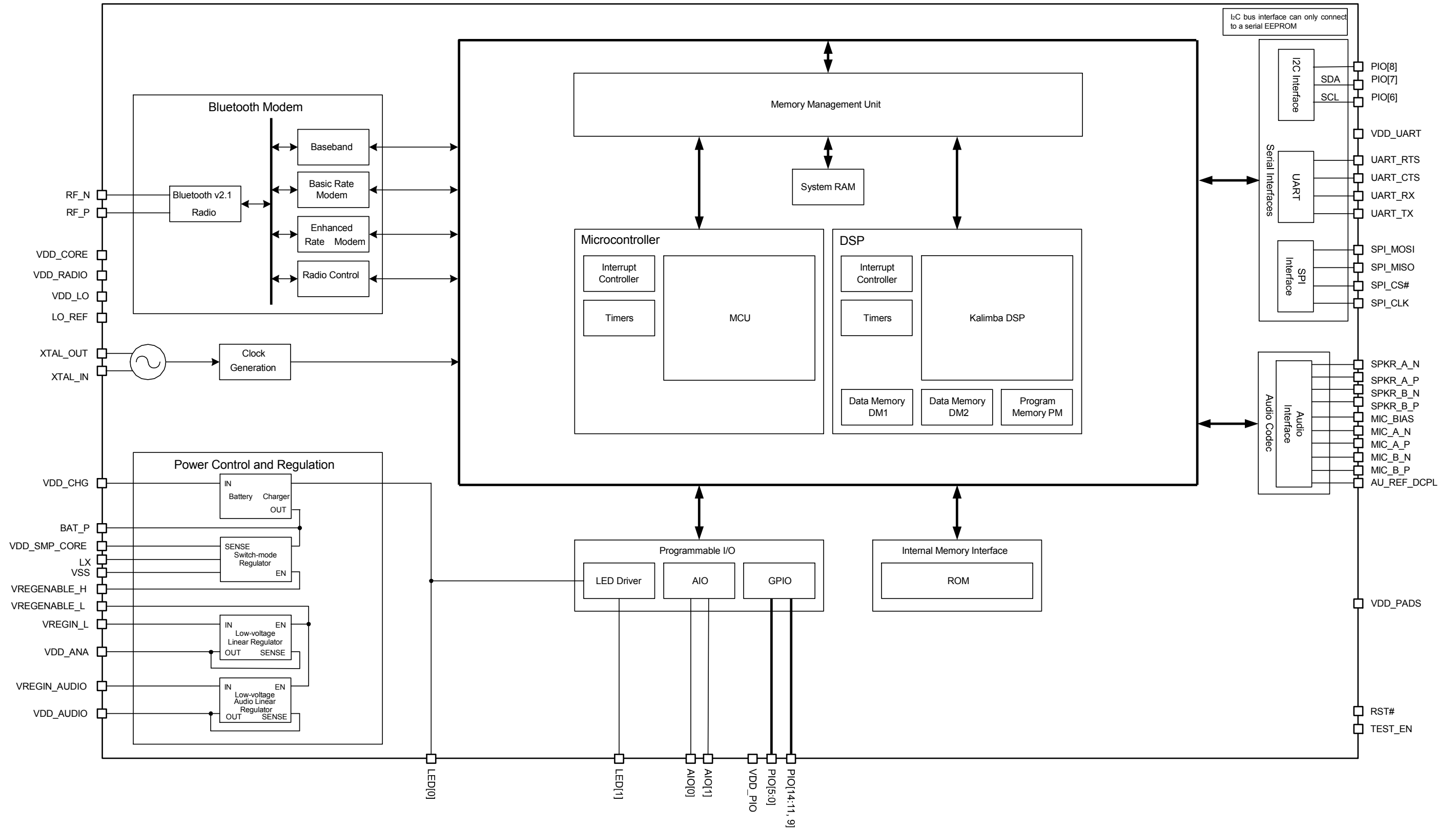
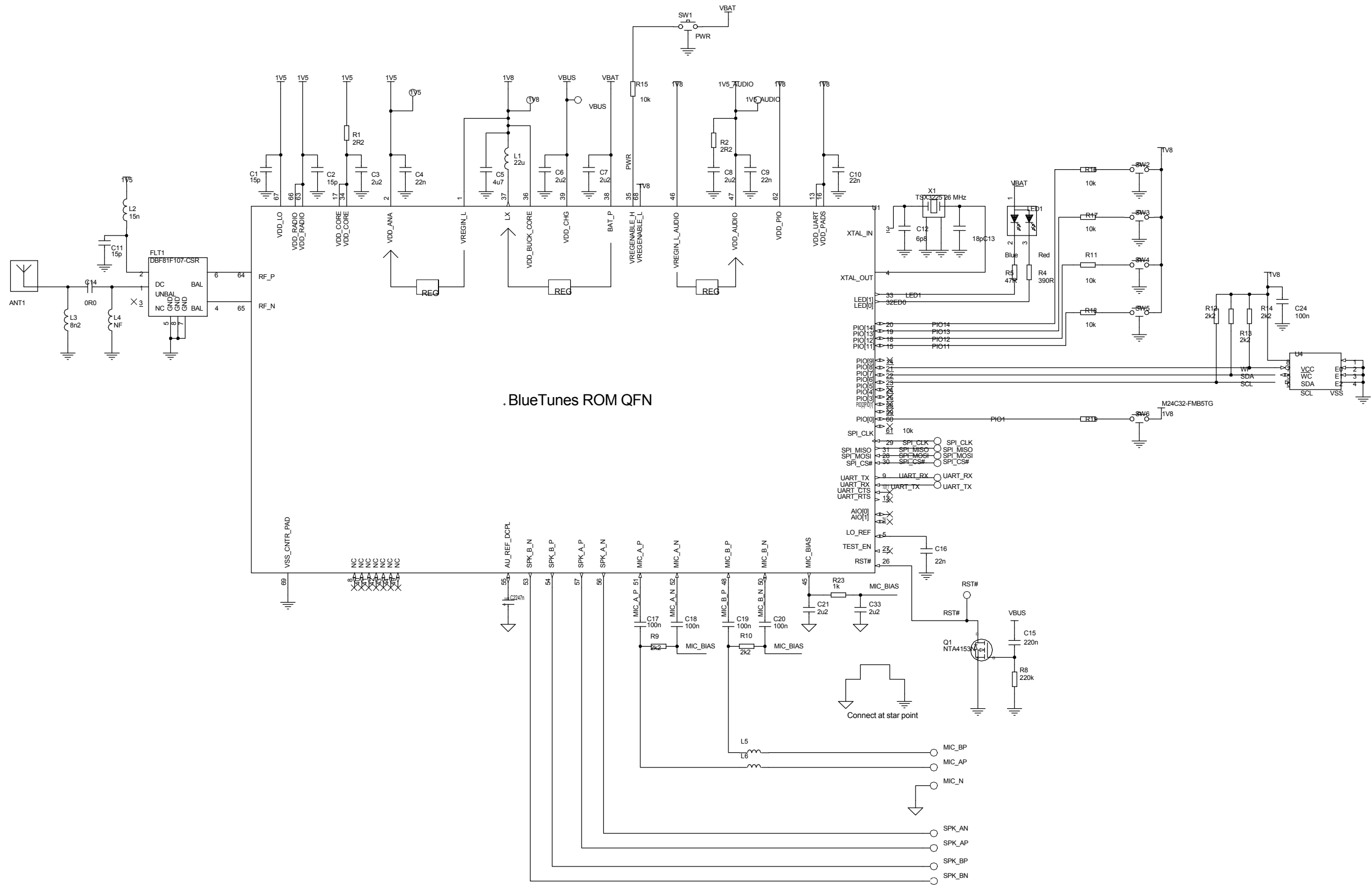
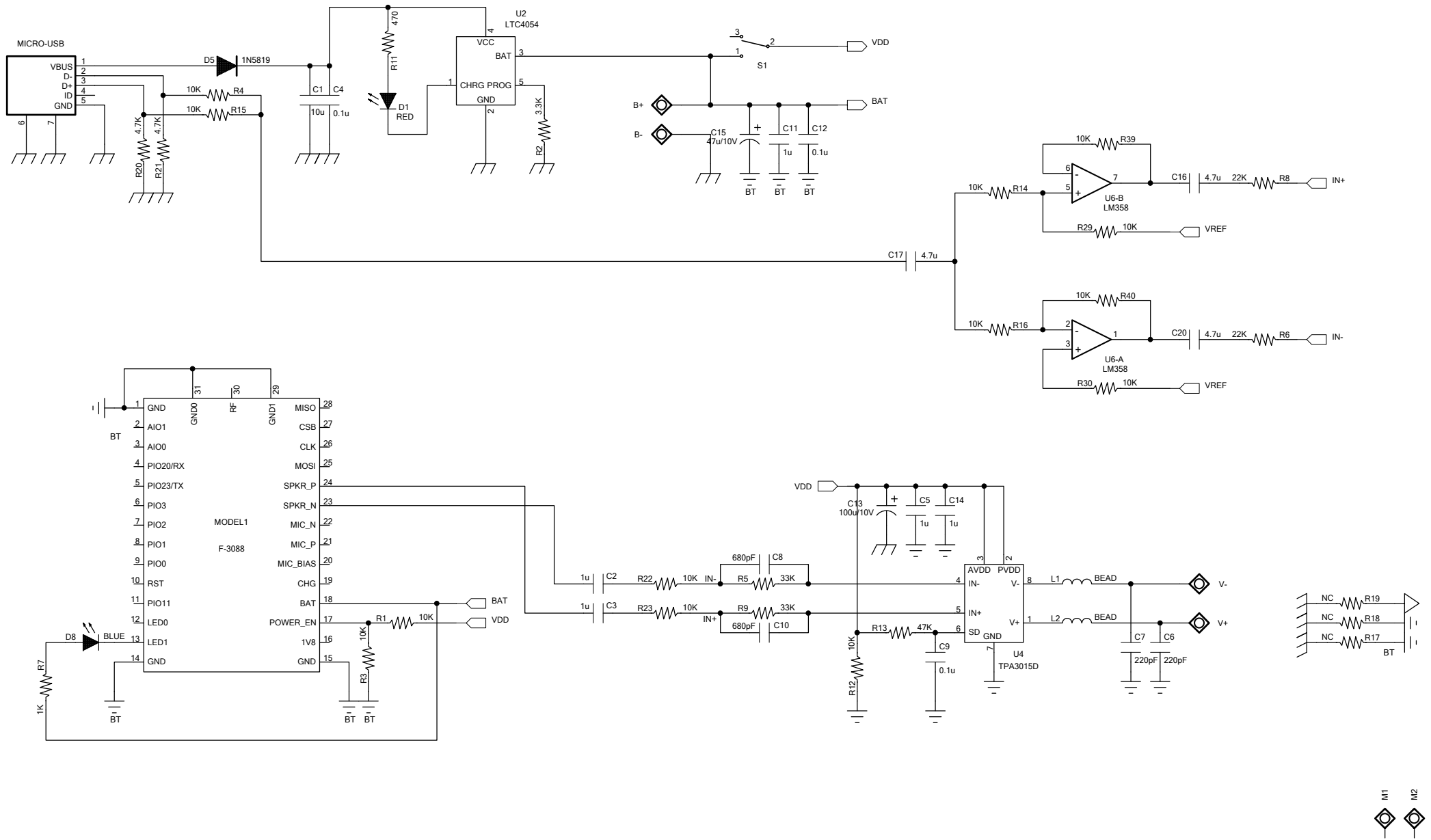


# 1、F-3088模块框架图

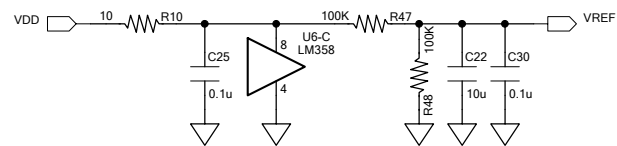


## 2、F-3088原理图





E			
D			
C			
B			
A	PROTOTYPE-A3	2012.08.10	TYP
ISS	CHANG RECORDS	DATE	REVISER



Bluetune-pop	REV	SHEET	MODEL:	DATE:2012.08.10
TITLE:Schematic	A	1/1	UNIT: N/A	SCALE: Free
MATERIAL:N/A	NO.		APPROVAL	CHECKED
COATING:N/A	DRAWER: TYP			DESIGN
Shenzhen Divoom Telnology Co.,Ltd.				TYP
				2012.08.10