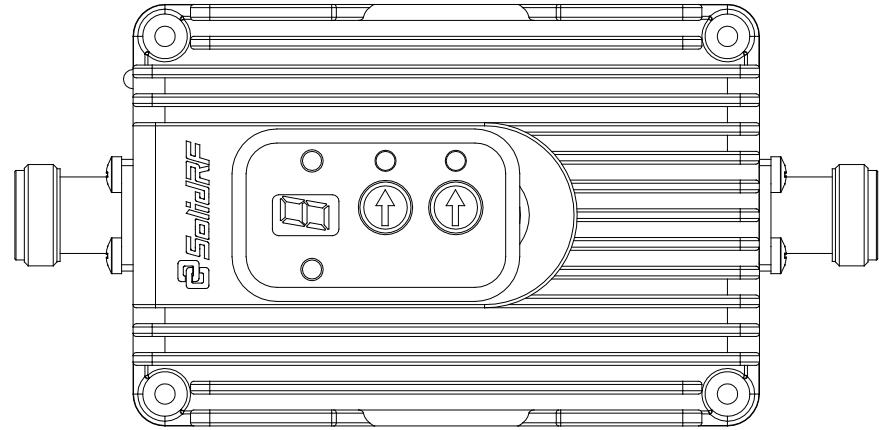
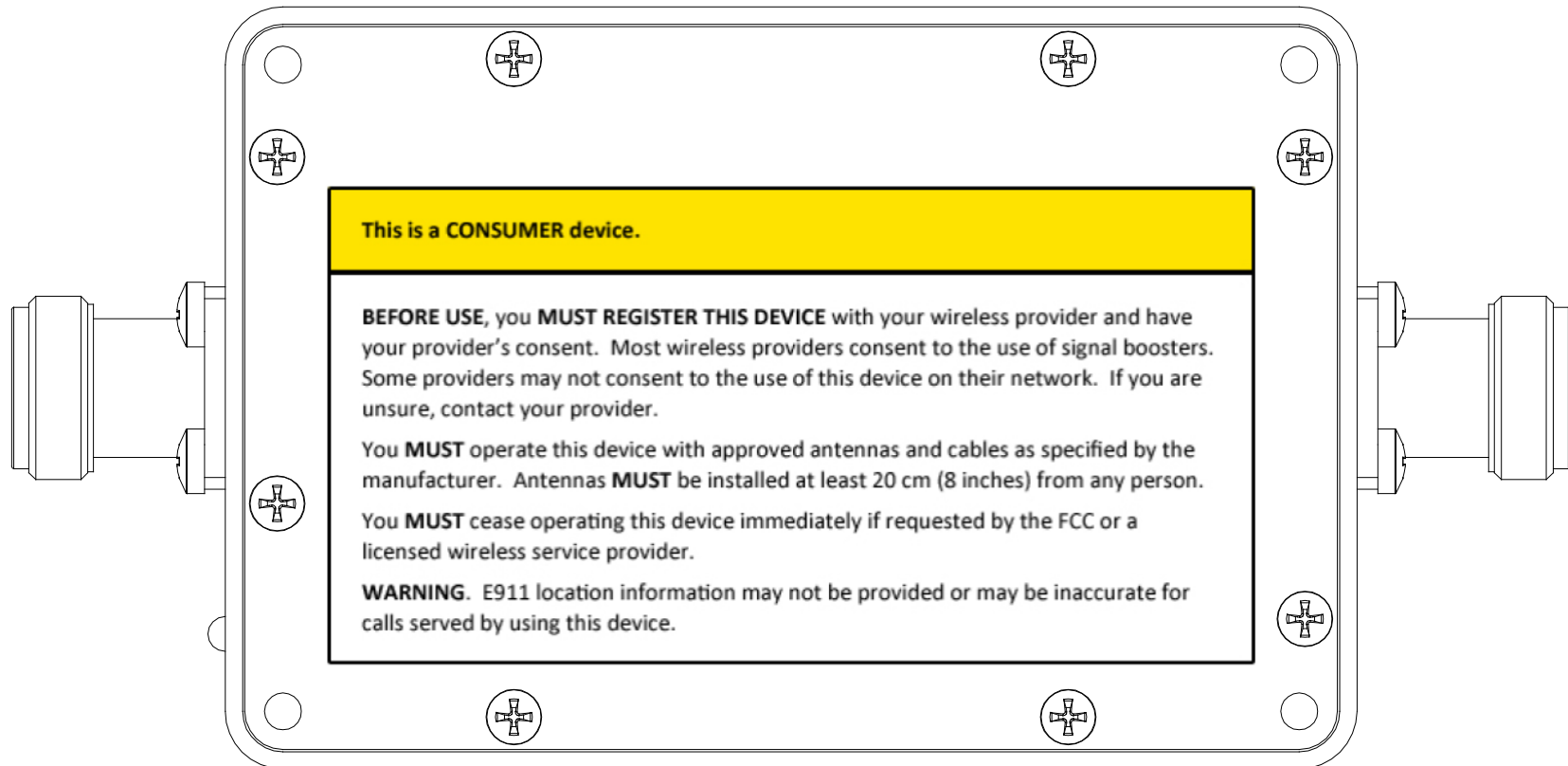


# M2M Model: SR42152001

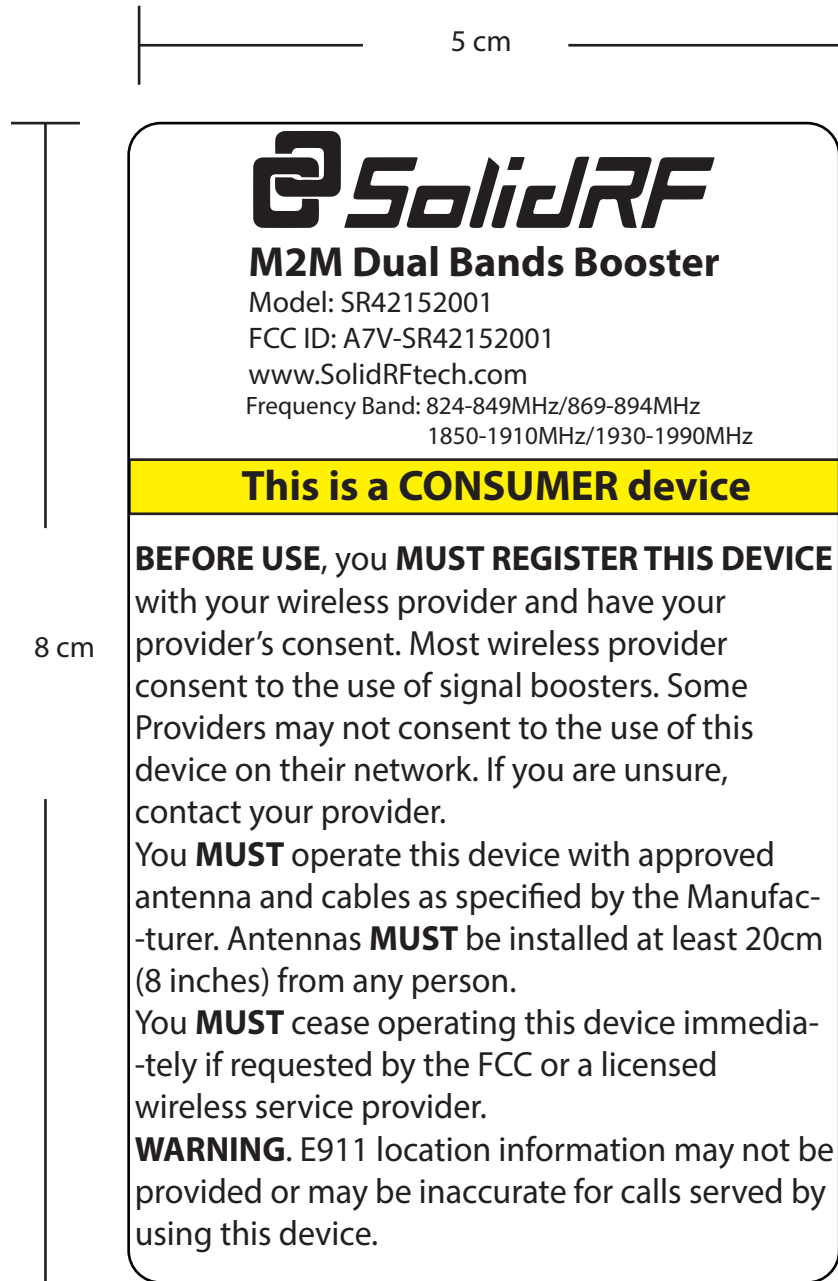
Front Side



Back Side

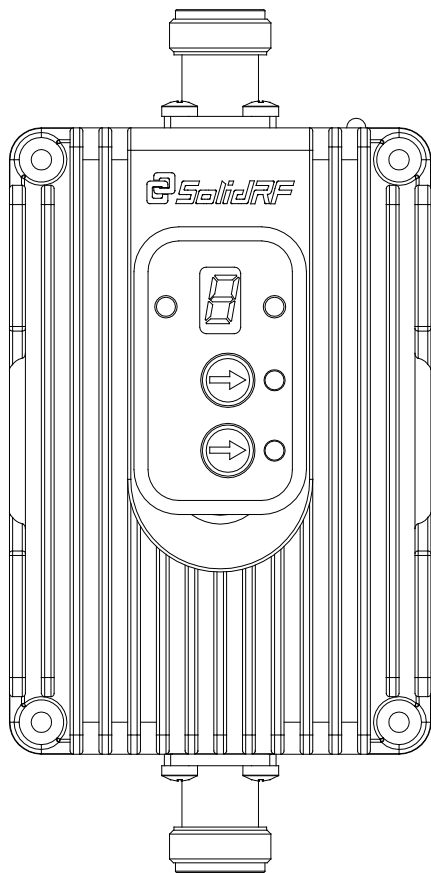


# Sticker Label

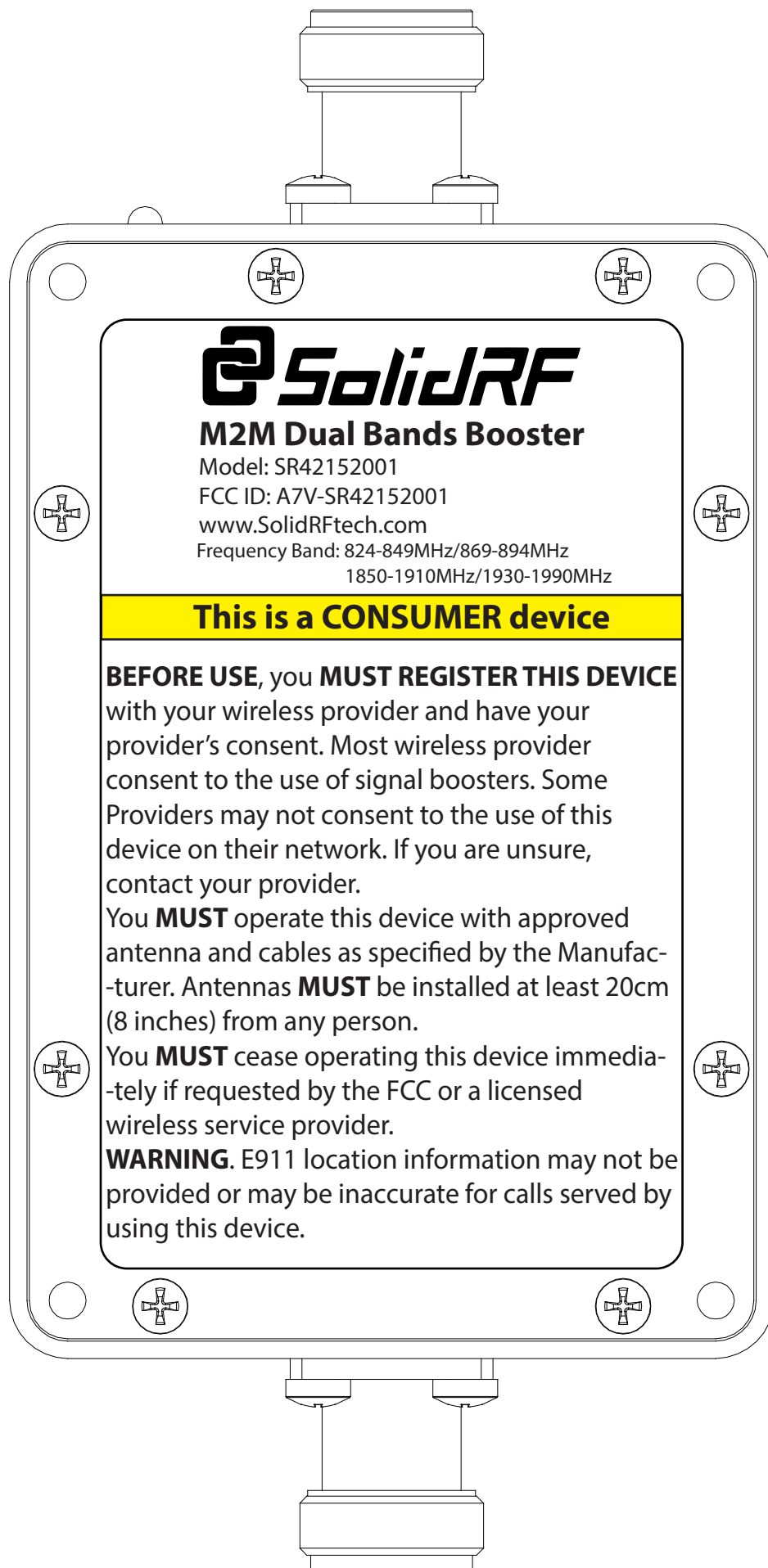


# M2M Model: SR42152001

## Front Side



## Back Side



**SolidRF**

**M2M Dual Bands Booster**

Model: SR42152001

FCC ID: A7V-SR42152001

[www.SolidRFtech.com](http://www.SolidRFtech.com)

Frequency Band: 824-849MHz/869-894MHz  
1850-1910MHz/1930-1990MHz

**This is a CONSUMER device**

**BEFORE USE**, you **MUST REGISTER THIS DEVICE** with your wireless provider and have your provider's consent. Most wireless provider consent to the use of signal boosters. Some Providers may not consent to the use of this device on their network. If you are unsure, contact your provider.

You **MUST** operate this device with approved antenna and cables as specified by the Manufacturer. Antennas **MUST** be installed at least 20cm (8 inches) from any person.

You **MUST** cease operating this device immediately if requested by the FCC or a licensed wireless service provider.

**WARNING.** E911 location information may not be provided or may be inaccurate for calls served by using this device.