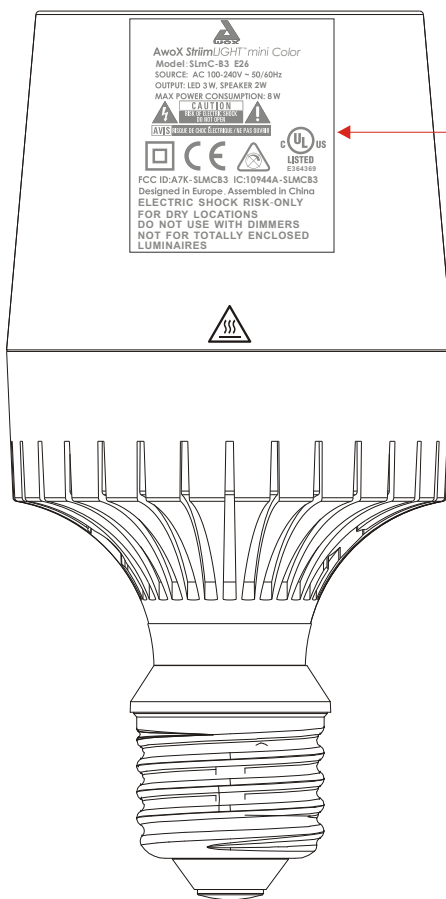


1:1



Label location

				Bom No.: ABAAL1121-GU02	
NO.	Part No.	Part Name	DESCRIPTION	Model No.: SLMC-B3	Approved: Johnson Hsu
1.	YLB124252-0008	Main label	Print pantone coolgray 8C	Customer: AwoX	PSM: Eilleen Ko
2.				Brand:	ME: Zhi Long
3.				Draw No.: Main label	EE: BJ Wei
4.				Date: 2014-06-20	OM: Xiayuanying
5.				Scale: 1:1	Unit: mm
REMARK: 以上所述物料必須符合東威環保要求。 材质:透明龙 高温70度后不能有背胶残留				Revision: A	Graphics: Xiayuanying
				EASTECH ELECTRONIC CO.LTD	