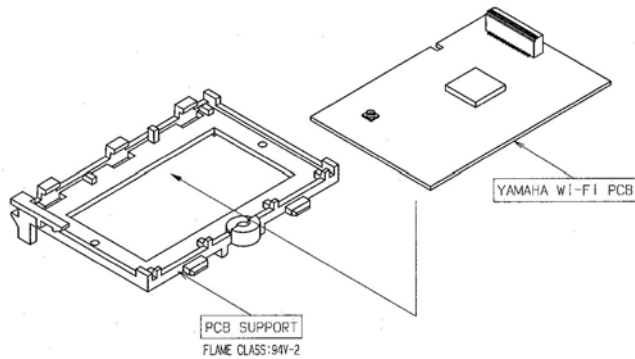
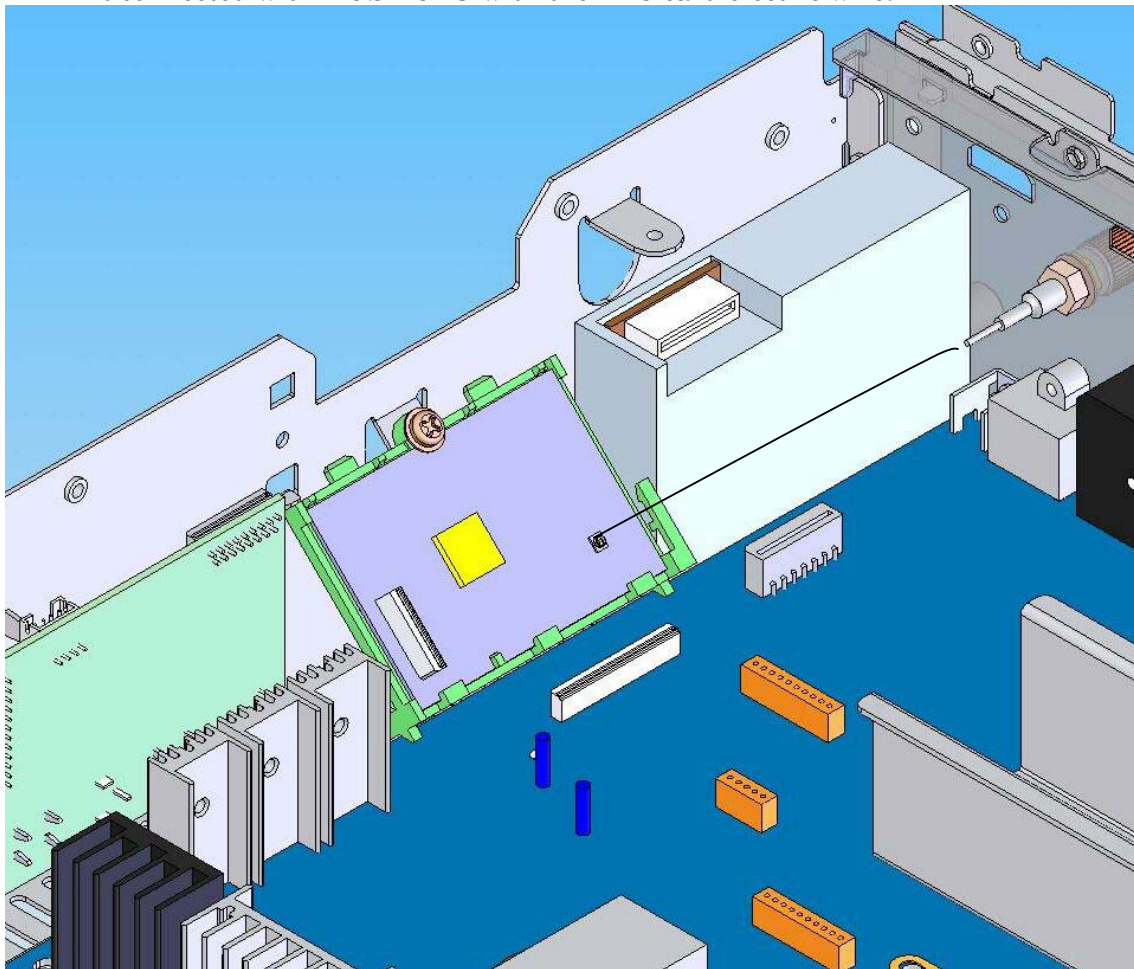


## 11. Installation Guide for Representative model

### 11.1 YAMAHA Wi-Fi PCB is installed in the support parts



- 11.2 YAMAHA Wi-Fi PCB is installed in the main body.  
Special Antenna is installed in AV-Receiver's rear Panel.  
It connected with HOST CPU with the FFC card electric wire.



**11.3** The following label print is added to the main body of AV-Receiver.

**11.3.1** FCC ID and IC Number

"Contains Transmitter Module FCC ID" or "Contains"

FCC ID : A6RYMC700A

IC : 740B-YMC700A

**11.3.2** FCC Par15 Subpart C manual demands

This device complies with Part 15 of the FCC Rules.

Operation is subject to the following two conditions:

(1) this device may not cause harmful interference, and

(2) this device must accept any interference received,

including interference that may cause undesired operation of this device.

**11.3.3** Industrial Canada manual demands for Province of Quebec



Cet appareil est conforme à la partie 15 des règlements de la FCC et de RSS-Gen des règlements de la IC.

Son fonctionnement est sujet aux deux conditions qui suivent:

(1) l'appareil ne doit causer aucune interférence et

(2) l'appareil doit supporter l' interférence , incluant l' interférence qui pourrait provoquer une fonctionnement non voulue du appareil.

Ex Model. YAMAHA Media Controller YMC-700

 <b>YAMAHA</b> MODEL NO. YMC-700 120 V ~ 60 Hz 60 W <b>YAMAHA CORPORATION</b> MADE IN CHINA	CONTAINS FCC ID: A6RYMC700A IC:740B-YMC700A THIS CLASS B DIGITAL APPARATUS COMPLIES WITH CANADIAN ICES-003. CET APPAREIL NUMERIQUE DE LA CLASSE B EST CONFORME A LA NORME NMB-003 DU CANADA.	 <b>ATTENTION</b> RISQUE DE CHOC ELECTRIQUE NE PAS OUVRIR <b>CAUTION</b> RISK OF ELECTRIC SHOCK DO NOT OPEN
THIS DEVICE COMPLIES WITH PART 15 OF THE FCC RULES AND RSS-GEN OF IC RULES. OPERATION IS SUBJECT TO THE FOLLOWING TWO CONDITIONS: (1) THIS DEVICE MAY NOT CAUSE INTERFERENCE, AND (2) THIS DEVICE MUST ACCEPT ANY INTERFERENCE, INCLUDING INTERFERENCE THAT MAY CAUSE UNDESIREED OPERATION OF THIS DEVICE.		CET APPAREIL EST CONFORME A LA PARTIE 15 DES REGLEMENTS DE LA FCC ET DE RSS-GEN DES REGLEMENTS DE LA IC. SON FONCTIONNEMENT EST SUJET AUX DEUX CONDITIONS QUI SUIVENT: (1) L' APPAREIL NE DOIT CAUSER AUCUNE INTERFERENCE ET (2) L' APPAREIL DOIT SUPPORTER L' INTERFERENCE, INCLUANT L' INTERFERENCE QUI POURRAIT PROVOQUER UNE FONCTIONNEMENT NON VOULUE DU APPAREIL.
MANUFACTURED UNDER LICENSE FROM DOLBY LABORATORIES. DOLBY, PRO LOGIC AND THE DOUBLE-D SYMBOL ARE TRADEMARKS OF DOLBY LABORATORIES.	MANUFACTURED UNDER LICENSE UNDER U. S. PATENT NO'S: 5,451,942; 5,956,674; 5,974,380; 5,978,762; 6,226,616; 6,487,535 AND OTHER U. S. AND WORLDWIDE PATENTS ISSUED AND PENDING. DTS IS A REGISTERED TRADEMARK AND THE DTS LOGOS, SYMBOL, DTS-HD AND DTS-HD MASTER AUDIO ARE TRADEMARKS OF DTS, INC. COPYRIGHT 1996-2007 DTS, INC. ALL RIGHTS RESERVED.	
FABRIQUE SOUS LICENCE DE DOLBY LABORATORIES. DOLBY, PRO LOGIC ET LE SYMBOLE DU DOUBLE D SONT DES MARQUES DE COMMERCE DE DOLBY LABORATORIES.	FABRIQUE SOUS LICENCE ET SOUS LES NUMEROS DE BREVETS SUIVANTS: 5,451,942; 5,956,674; 5,974,380; 5,978,762; 6226,616; 6,487,535 ET SOUS D'AUTRES BREVETS AMERICAINS ET INTERNATIONAUX, EMIS OU EN ATTENTE. DTS EST UNE MARQUE DEPOSEE ET LES DTS LOGOS, SYMBOLES ET MARQUES DTS-HD ET DTS-HD MASTER AUDIO SONT DES MARQUES COMMERCIALES DE DTS, INC. COPYRIGHT 1996-2007 DTS, INC. TOUS DROITS RESERVES.	
<b>WARNING:</b> TO REDUCE THE RISK OF FIRE OR ELECTRIC SHOCK. DO NOT EXPOSE THIS APPLIANCE TO RAIN OR MOISTURE.	<b>AVERTISSEMENT:</b> AFIN DE REDUIRE LE RISQUE D'INCENDIE OU DE DECHARGE ELECTRIQUE, VEUILLEZ NE PAS EXPOSER CET APPAREIL A L'EAU NI A L'HUMIDITE.	PART NO. WQ03000-1

**11.4** The following specification statement is needed for the owner's manual.

**11.4.1 「COMPLIANCE INFORMATION STATEMENT」**

This device complies with Part 15 of the FCC Rules and RSS-Gen of IC Rules.

Operation is subject to the following two conditions:

- 1) this device may not cause harmful interference, and
- 2) this device must accept any interference received including interference that may cause undesired operation of this device. See user manual instructions if interference to radio reception is suspected.

**11.4.2 Description requested for mobile device of 24mW or more**

This equipment complies with FCC/IC radiation exposure limits set forth for uncontrolled equipment and meets the FCC radio frequency (RF) Exposure Guidelines in Supplement C to OET65 and RSS-102 of the IC radio frequency (RF) Exposure rules. This equipment should be installed and operated with at least 20 cm and more between the radiator and person's body (excluding extremities: hands, wrists, feet and ankles).

**11.4.3 「NOTICE」**

This equipment has been tested and found to comply with the limits for a Class B digital device, pursuant to part 15 of the FCC Rules. These limits are designed to provide reasonable protection against harmful interference in a residential installation. This equipment generates, uses and can radiate radio frequency energy and, if not installed and used in accordance with the instructions, may cause harmful interference to radio communications. However, there is no guarantee that interference will not occur in a particular installation. If this equipment does cause harmful interference to radio or television reception, which can be determined by turning the equipment off and on, the user is encouraged to try to correct the interference by one or more of the following measures:

- Reorient or relocate the receiving antenna.
- Increase the separation between the equipment and receiver.
- Connect the equipment into an outlet on a circuit different from that to which the receiver is connected.
- Consult the dealer or an experienced radio/TV technician for help.

**11.4.4 「FCC WARNING」**

Change or modifications not expressly approved by the party responsible for compliance could void the user's authority to operate the equipment.

**11.4.5 Co-Location**

This transmitter must not be co-located or operated in conjunction with any other antenna or transmitter.

**11.4.6 At the use of the shielded cable and the ferrite core**

Properly shielded a grounded cables and connectors must be used for connection to host computer and / or peripherals in order to meet FCC emission limits. (AC adaptor) with ferrite core must be used for RF interference suppression.