

REV. CODE	COUNT	NO.	REVISION DESCRIPTION	DATE	DRAWN	L	TOLERANCE
0	—	—	New issue 新規(初版)発行	—	S. Fujino	UP TO 30	±0.3
						OVER 30 ~ 80	±0.4
						80 ~ 180	±0.6
						180 ~ 310	±0.8
						310 ~ 500	±1.0

- note) 1. Printing characters and layout are specified in the positive film supplied by YAMAHA. (printing method: offset printing or silk screening)
2. The number indicated by * shows the modification of printing and its number will be added in due order of the modification.
3. Comply with YAMAHA's "Standards for Chemical Content in Products".

TABLE-1

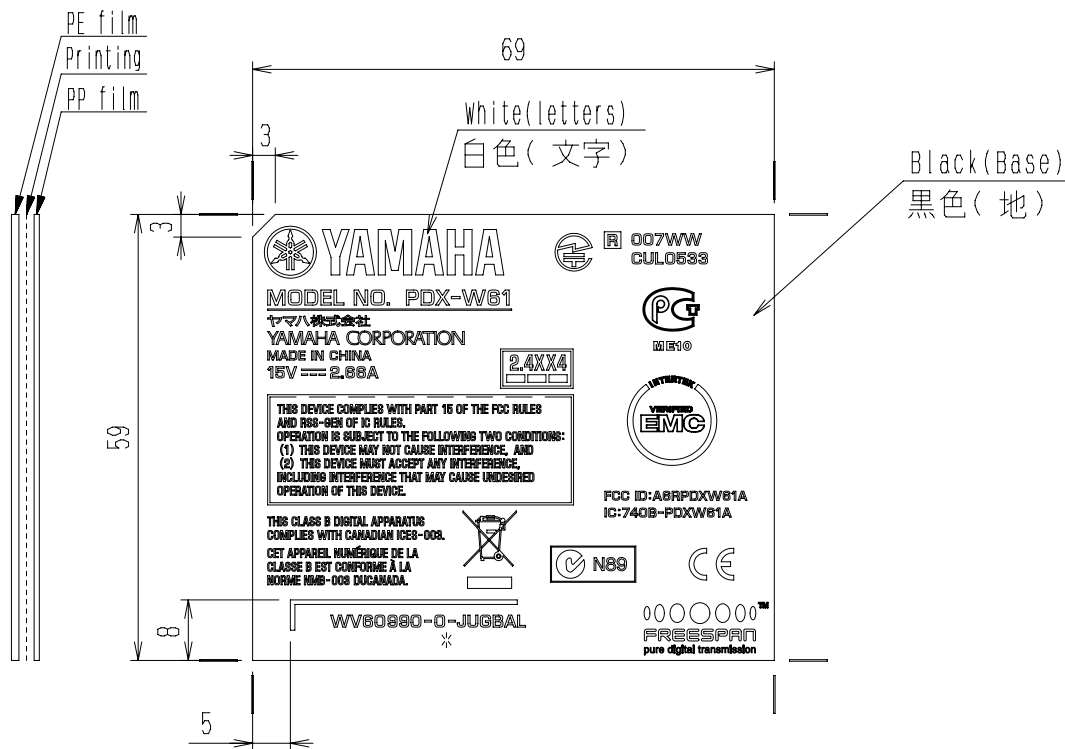
material 材 料	white polyester film(t=0.05mm) 白色ポリエステルフィルム(t=0.05)		
manufacturer メ-カ-名	KINGLABEL ADHESIVE PRODUCT CO., LTD		
material No. 材料No.	T-HTLW50J (WU30540)	file No. ファイルNo.	
adhesive 接着剤	back: PRESSURE SENSITIVE ADHESIVE (Mesh Printing)		
color 色 調	black/base 黒色/地	white/letter 白色/文字	
printing displacement 印刷ズレ	within 0.3mm 0.3以下		

TABLE-2

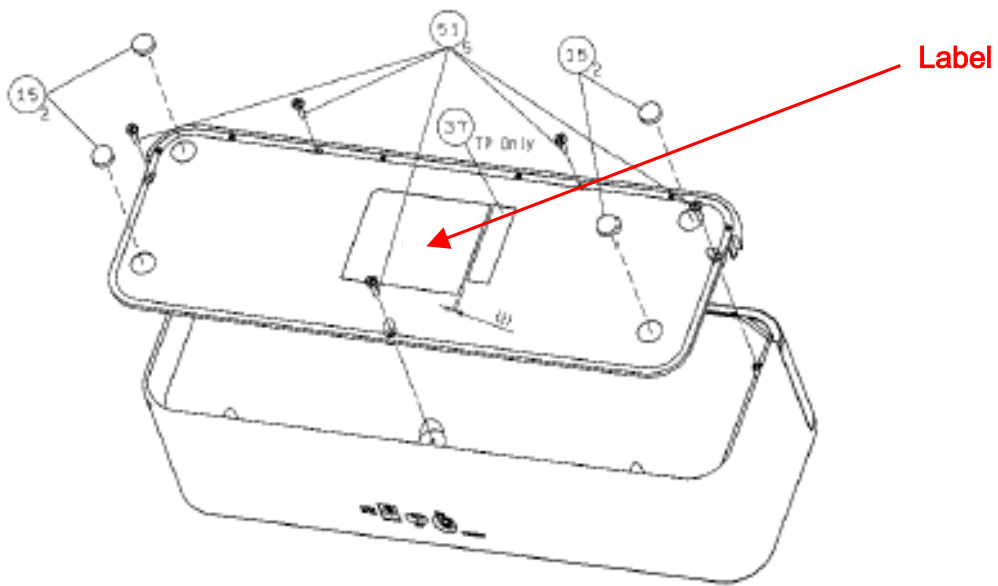
material 材 料	polypropylene film(t=0.035mm) ポリプロピレンフィルム(t=0.035)		
manufacturer メ-カ-名	FOUR PILLARS ENTERPRISE CO., LTD		
material No. 材料No.	PP2F (WK50500)	file No. ファイルNo.	
adhesive 接着剤	back: acrylic base		
color 色 調	clear 透明		

INK SPECIFICATION

Surveillance No.	Material No.	Manufacturer name
WE80100	EG-911	TEIKOKU PRINTING INKS MFG CO., LD
WE77020	UV161	T&K TOKA CO. LTD



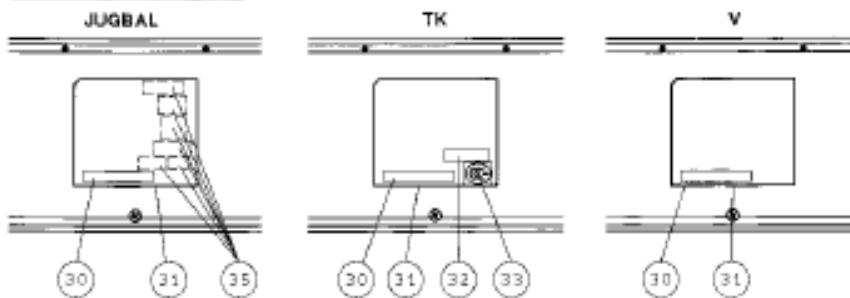
DOC SIZE	A4	APPROVED BY	DATE	ORIGINAL MODEL	PDX-W61SZ		
UNIT	mm	CHECKED BY	DATE	MATERIAL			
SCALE	1/1	DESIGNED BY	DATE	FINISH TREATMENT			
TRIGONOMETRY		S. Fujino	17. AUG. '10	DOCUMENT NAME (E)	LABEL_JUGBAL	DOC GROUP	
		S. Fujino	17. AUG. '10	DOCUMENT NAME (J)		DOC CLASS	62C,B0
DOC NO.	2,001,071,61,7	SORT NO.		ORIGINAL PART NO.	WV60990	PAGE CONTROL NO.	
						REV	0,00
						PAGE	



Photo



LABEL INTRODUCTION



N.O.	versi	marka	marka	marka	marka
33	T			✓	CCC mark must be stickered
35	J	✓			TE10C mark must be marked
35	U	✓			PCO & IC ID must be marked
35	G	✓			DOST mark must be marked
35	A	✓			E-TICK mark must be marked
35	B/G	✓			AME & CE mark must be marked
35	T	✓			SMIT ID must be marked
35	K	✓			CCC mark must be marked