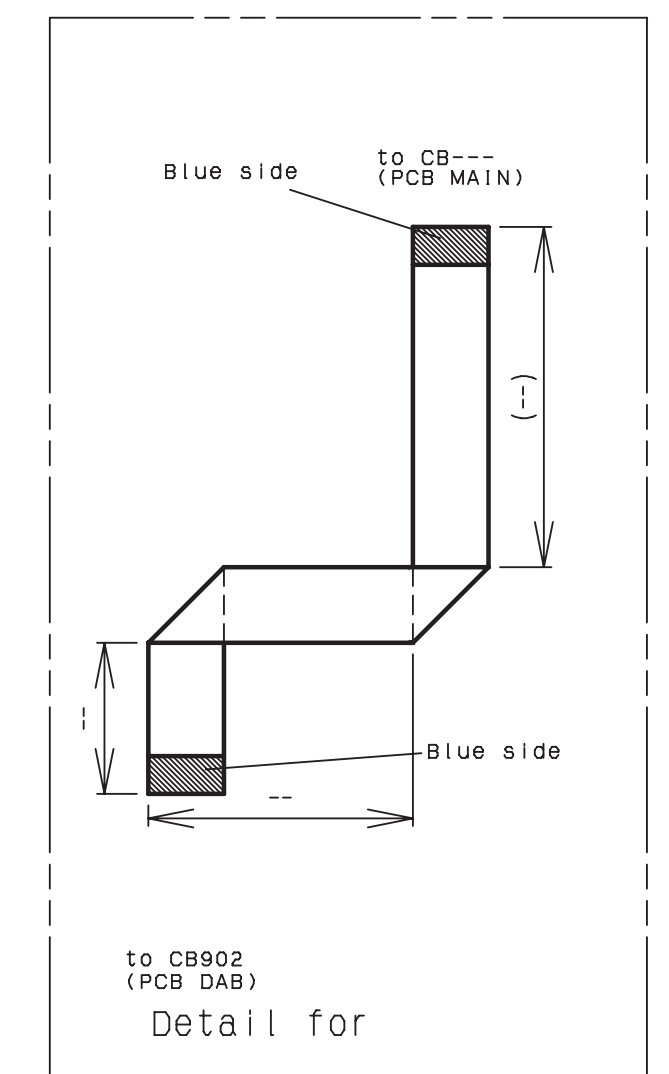
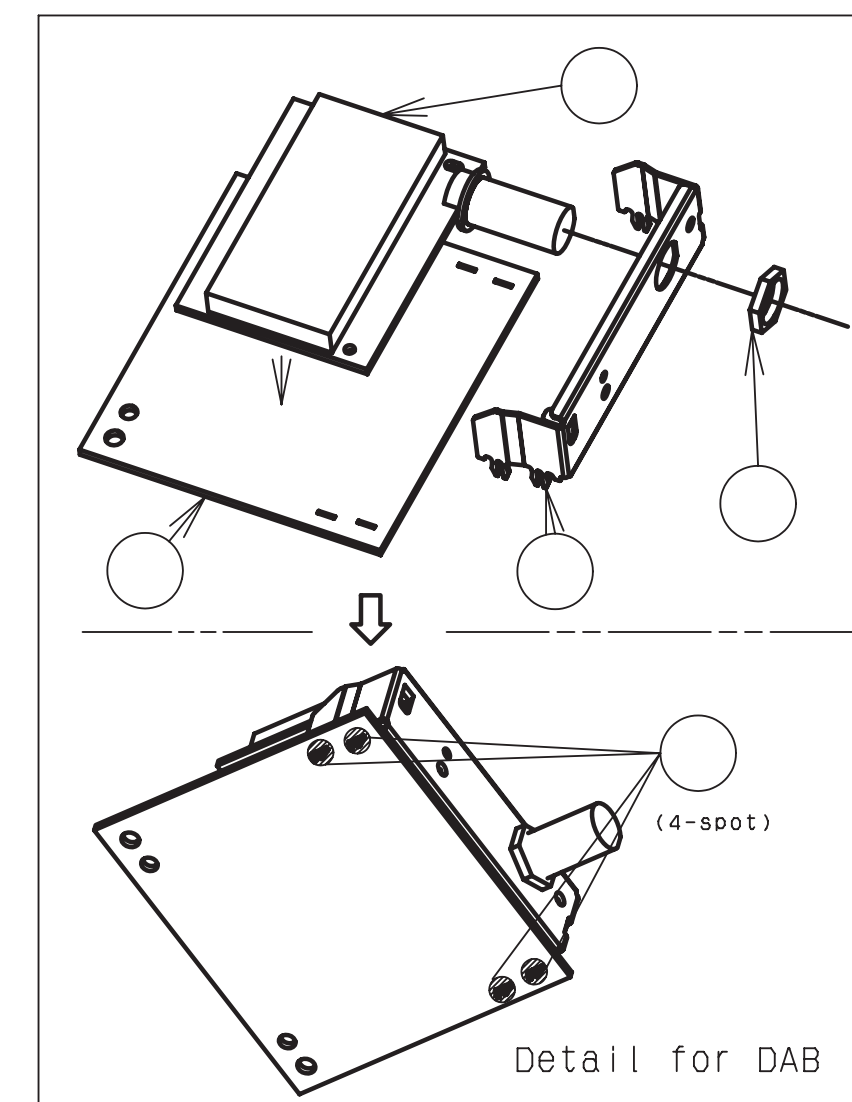
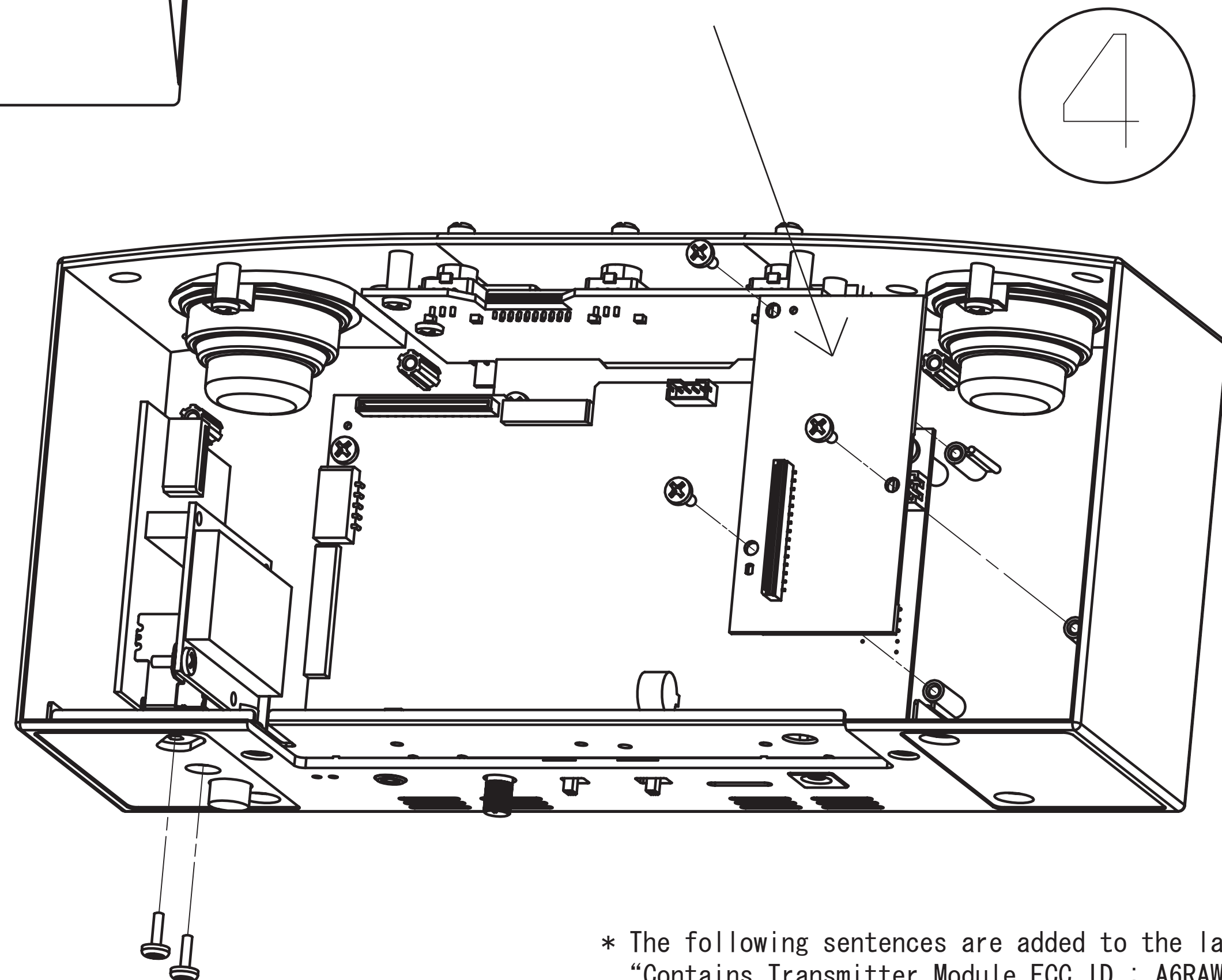


PCB AWCARD *



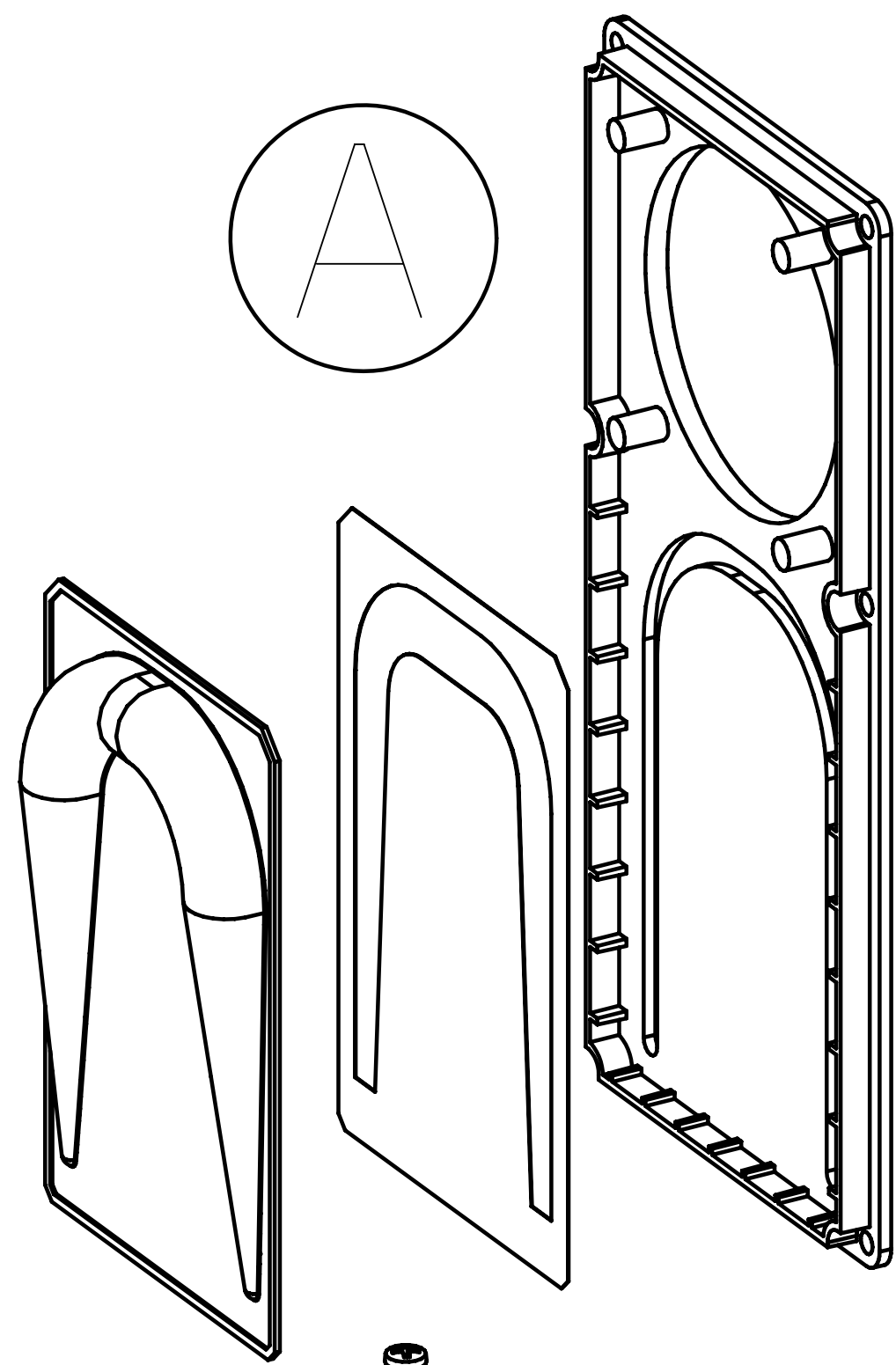
DESKTOP SP FINAL ASSY 2/2

* The following sentences are added to the label of end product.
 "Contains Transmitter Module FCC ID : A6RAWCARDA, IC : 740B-AWCARDA"
 or "Contains FCC ID : A6RAWCARDA, IC : 740B-AWCARDA"

REV. CODE	COUNT	NO.	REVISION DESCRIPTION	DATE	DRAWN
0	-	-	New issue 新規 (初版) 発行	-	

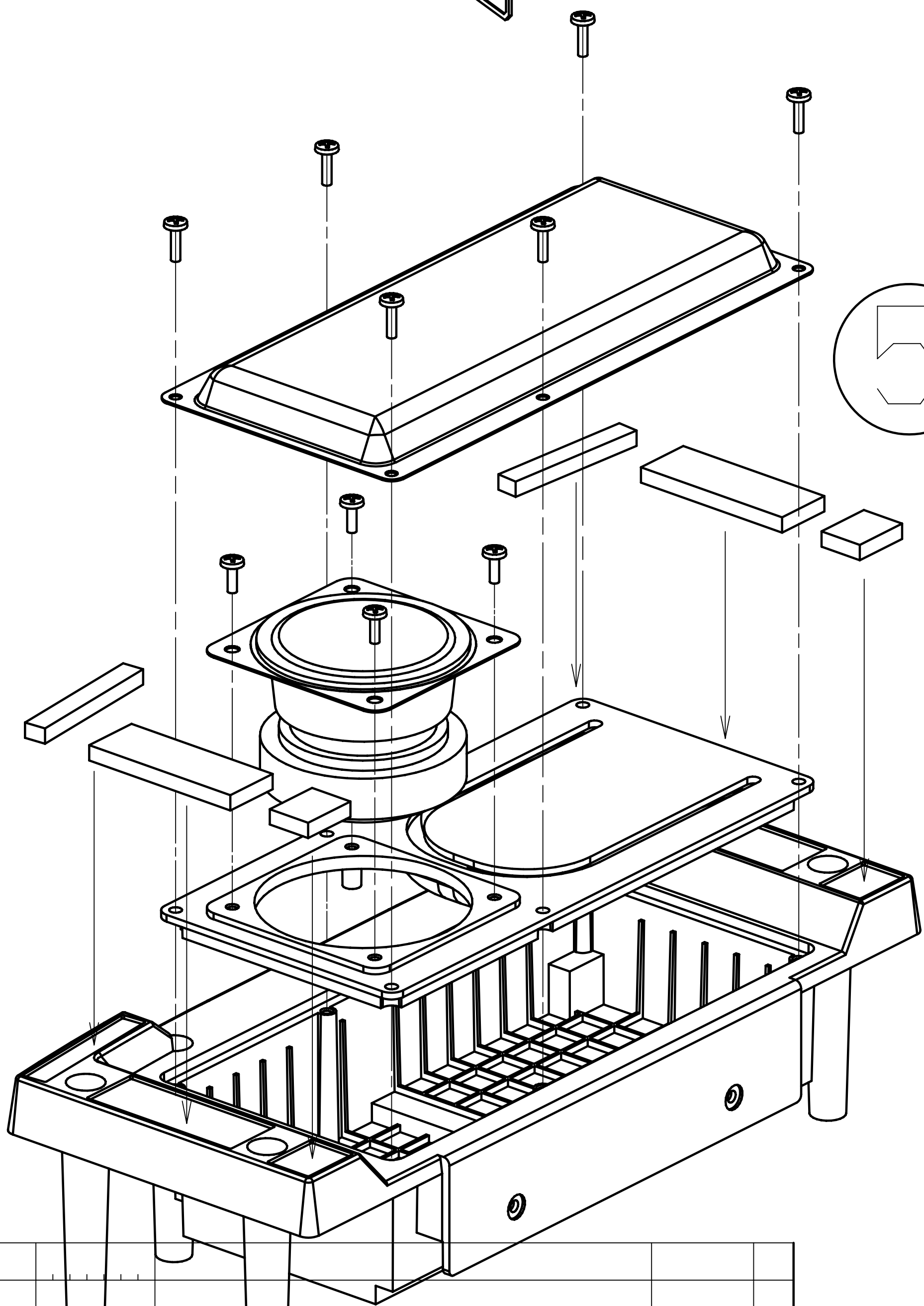
L	TOLERANCE	DOC SIZE	A1	APPROVED BY	DATE	ORIGINAL MODEL
UP TO 30	±0.3	UNIT	mm	CHECKED BY	DATE	MATERIAL
OVER 30 ~ 80	±0.4	SCALE	/	DESIGNED BY	DATE	FINISH. TREATMENT
80 ~ 180	±0.6	TRIGONOMETRY		DRAWN BY	DATE	DOCUMENT NAME (E)
180 ~ 310	±0.8					DOCUMENT NAME (J)
310 ~ 500	±1.0	DOC NO.				ORIGINAL PART NO.
500 ~	±1.3					PAGE CONTROL NO.

A



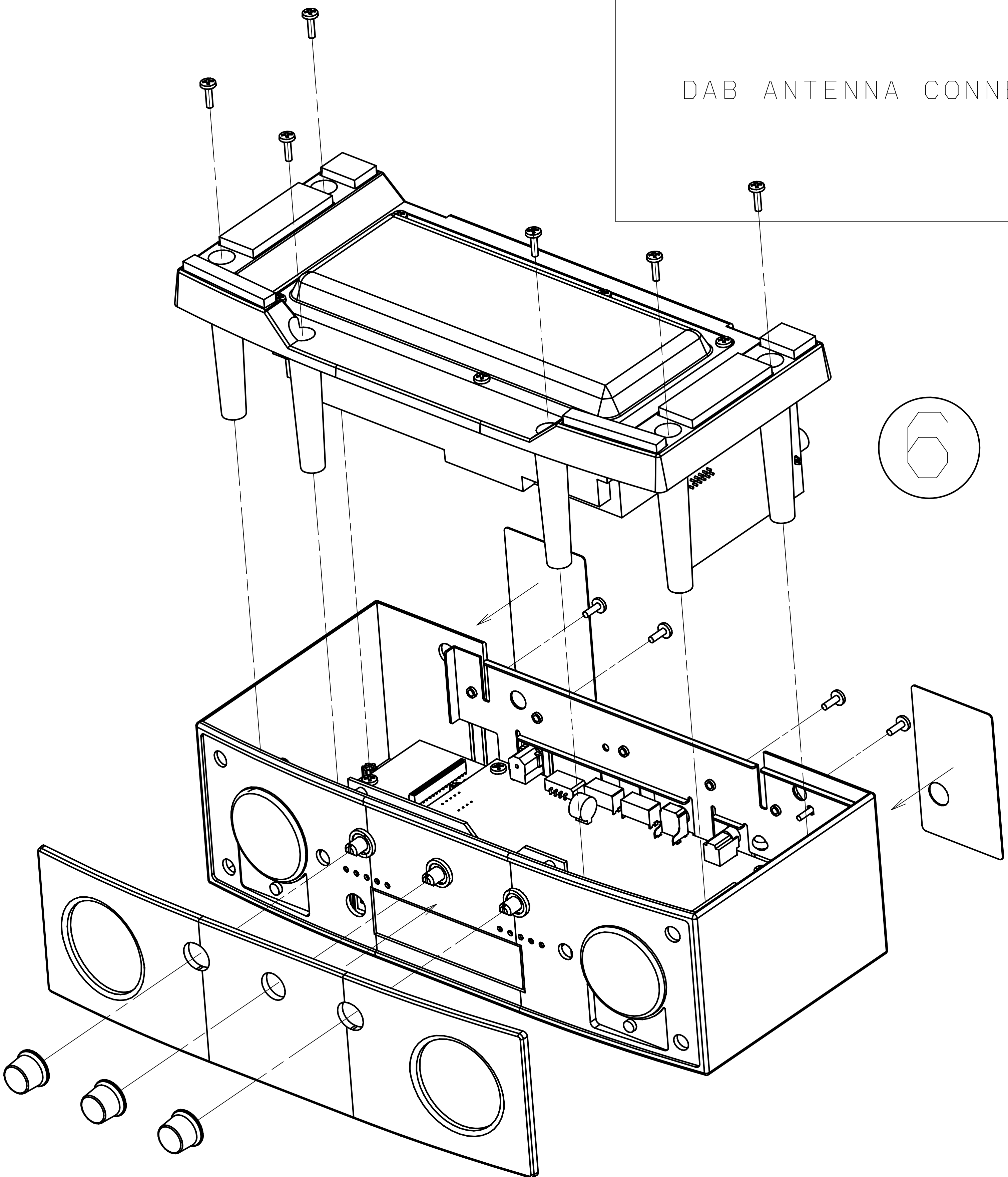
WASHER AND TAPE

5



DAB ANTENNA CONNECT METHOD

6



DESKTOP SP FINAL ASSY 2/2

REV. CODE	COUNT	NO.	REVISION DESCRIPTION	DATE	DRAWN
0	-		New Issue 新規(初版)発行	-	

L	TOLERANCE	DOC SIZE	A1	APPROVED BY	DATE	ORIGINAL MODEL
UP TO 30	±0.3	UNIT	mm	CHECKED BY	DATE	MATERIAL
OVER 30 ~ 80	±0.4	SCALE	/	DESIGNED BY	DATE	FINISH, TREATMENT
80 ~ 180	±0.6	TRIGONOMETRY		DRAWN BY	DATE	DOCUMENT NAME(E)
180 ~ 310	±0.8	DOC NO.				DOCUMENT NAME(J)
310 ~ 500	±1.0					
500 ~	±1.3					