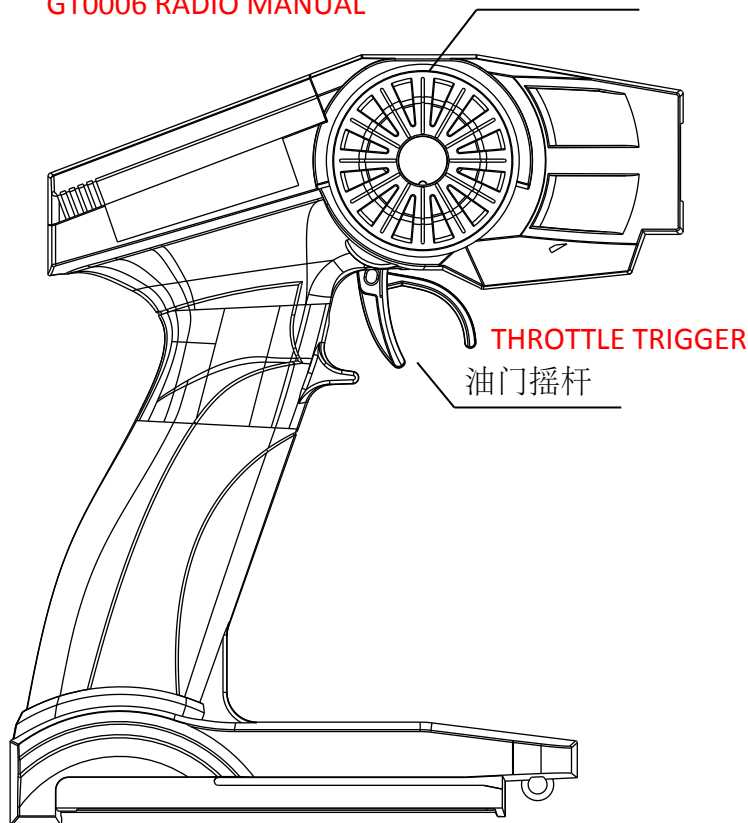


# GT0006遥控器功能示意图

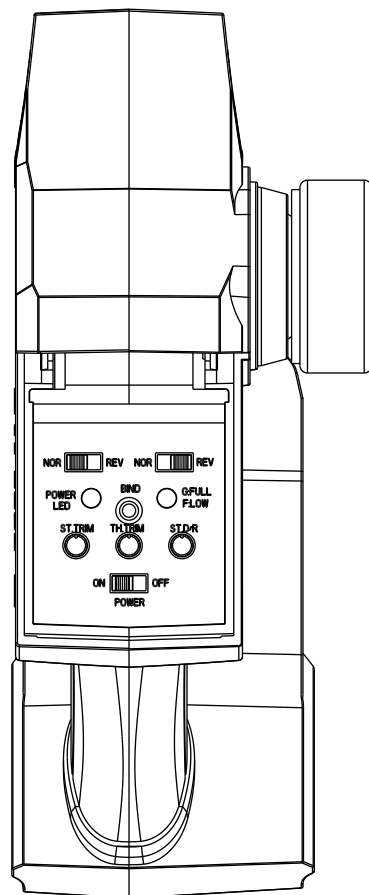
GT0006 RADIO MANUAL

转向手轮 STEERING WHEEL



THROTTLE TRIGGER

油门摇杆



遥控器外观

Radio

ST REV

转向正反向开关

POWER LED

电源指示灯

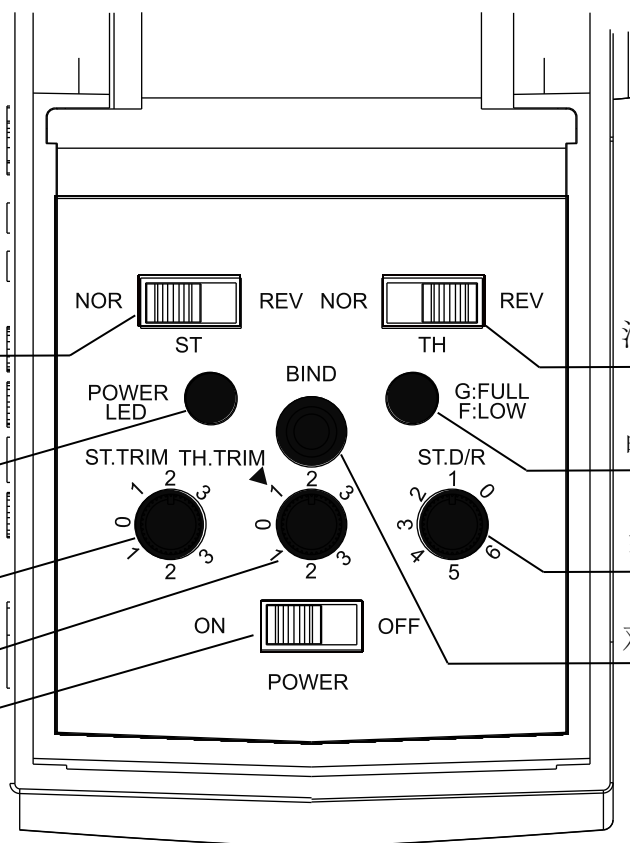
ST TRIM

转向微调旋钮

D/R  
油门微调旋钮

电源开关

POWER SW



TH REV

油门正反向开关

POWER CHECK

电量指示灯

TH TRIM

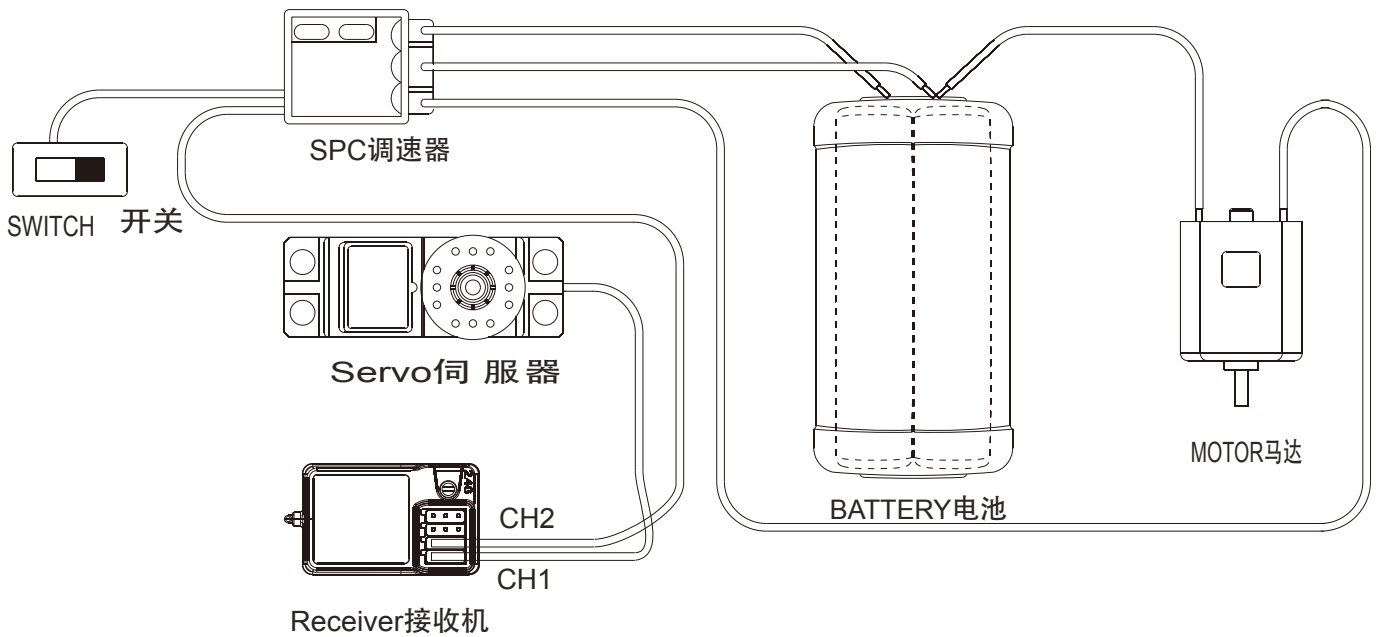
转向大小动作控制旋钮

BIND

对频按钮

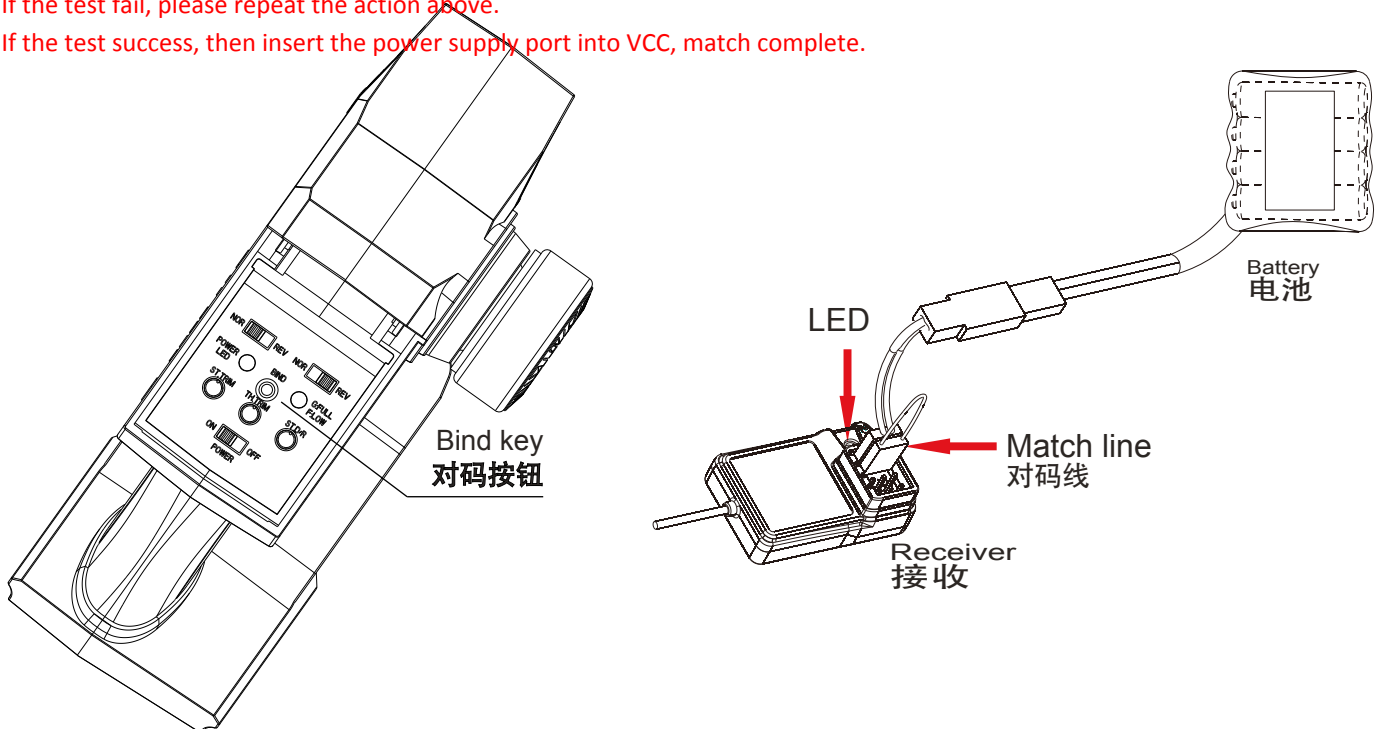
控制面板

## 带马达模型的安装连接 INSTALLATION FOR MOTOR MODELS



### BINDING

1. Install the battery to 2.4G transmitter and shut it down.
2. Insert the matching lines to the channel BIND/CH3 port of the receiver (Pic 1)
3. Connect the receiver battery to VCC port of the receiver, on the same time the 2 LED are flashing and this means the receiver are to the matching status.
4. Press and hold the button on the transmitter, and then switch on the power supply.
5. Observe the LED on the receiver, if find that the LED is not flash anymore and that means successful matched.  
(This process about 5S)
6. Release the match button on the transmitter, take out the match line.
7. Install the servo and then test.
8. If the test fail, please repeat the action above.
9. If the test success, then insert the power supply port into VCC, match complete.



## **FCC Statement**

This equipment has been tested and found to comply with the limits for a Class B digital device, pursuant to Part 15 of the FCC Rules. These limits are designed to provide reasonable protection against harmful interference in a residential installation. This equipment generates uses and can radiate radio frequency energy and, if not installed and used in accordance with the instructions, may cause harmful interference to radio communications. However, there is no guarantee that interference will not occur in a particular installation. If this equipment does cause harmful interference to radio or television reception, which can be determined by turning the equipment off and on, the user is encouraged to try to correct the interference by one or more of the following measures:

- Reorient or relocate the receiving antenna.
- Increase the separation between the equipment and receiver.
- Connect the equipment into an outlet on a circuit different from that to which the receiver is connected.
- Consult the dealer or an experienced radio/TV technician for help.

This device complies with part 15 of the FCC Rules. Operation is subject to the following two conditions:

(1) This device may not cause harmful interference, and (2) this device must accept any interference received, including interference that may cause undesired operation.

Changes or modifications not expressly approved by the party responsible for compliance could void the user's authority to operate the equipment.

The antenna(s) used for this transmitter must be installed to provide a separation distance of at least 20 cm from all persons and must not be co-located or operating in conjunction with any other antenna or transmitter.