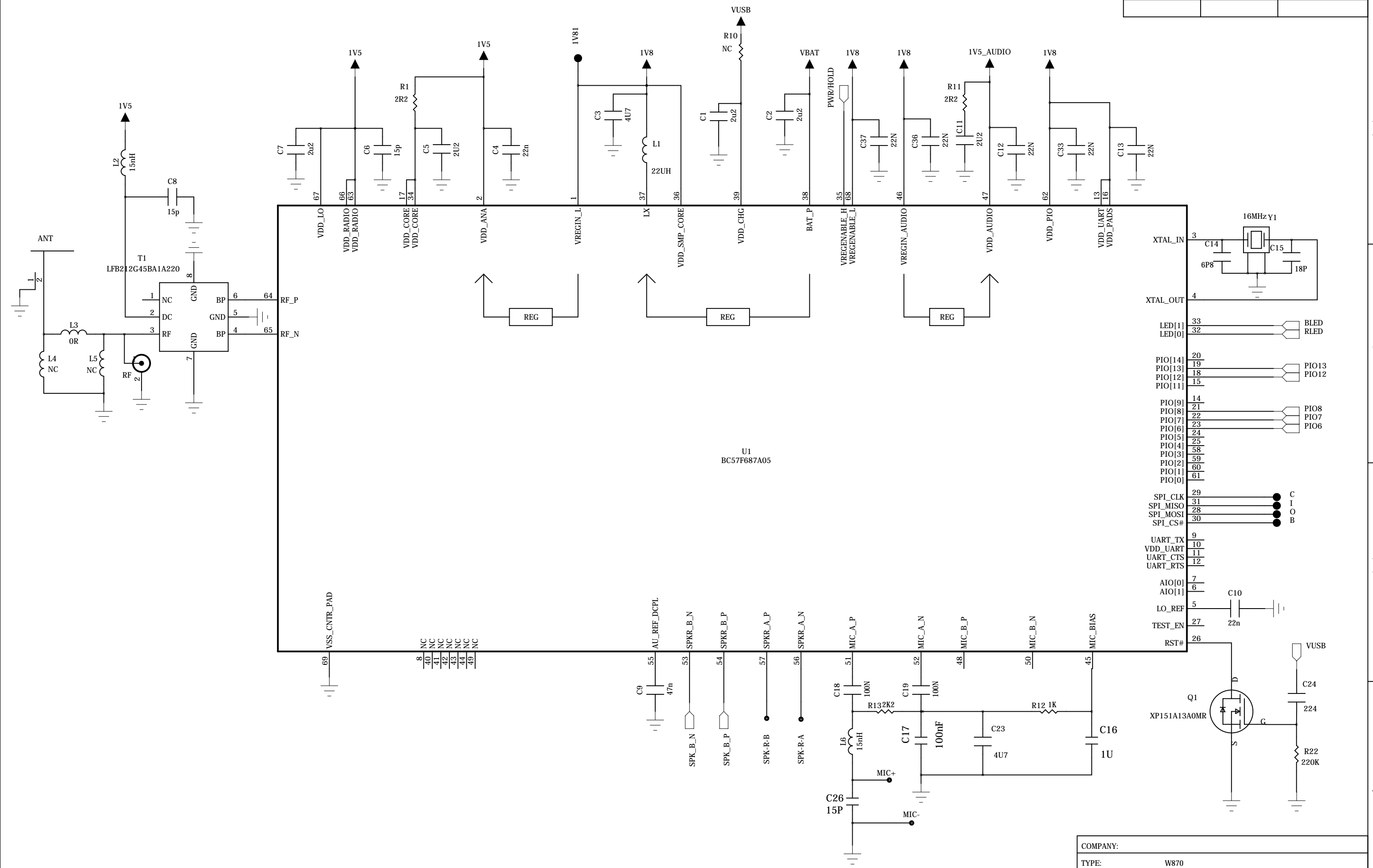


REVISION RECORD		
ECO NO:	APPROVED:	DATE:



COMPANY:		
TYPE: W870		
DRAWN: JACK SHEN	DATED:2012/06/02	
CHECKED: Liang zhu guang	DATED: 2012/08/04	SHEET:1, tole 2 pages
RELEASED:	DATED:	REV: 1.0

6

5

4

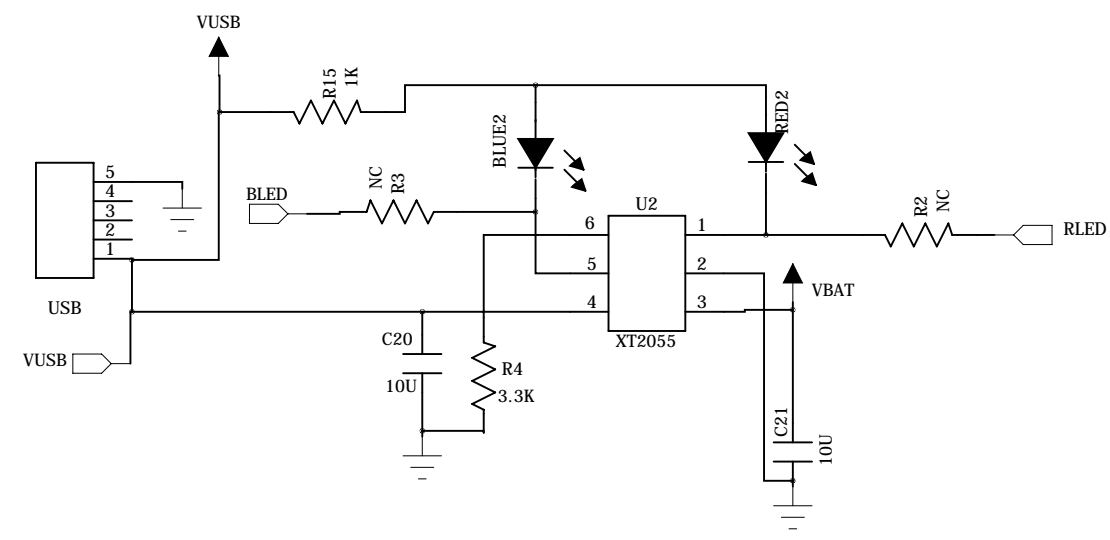
3

2

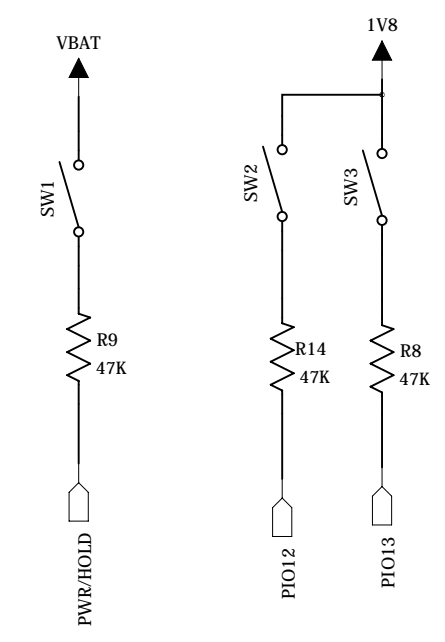
1

REVISION RECORD		
ECO NO:	APPROVED:	DATE:

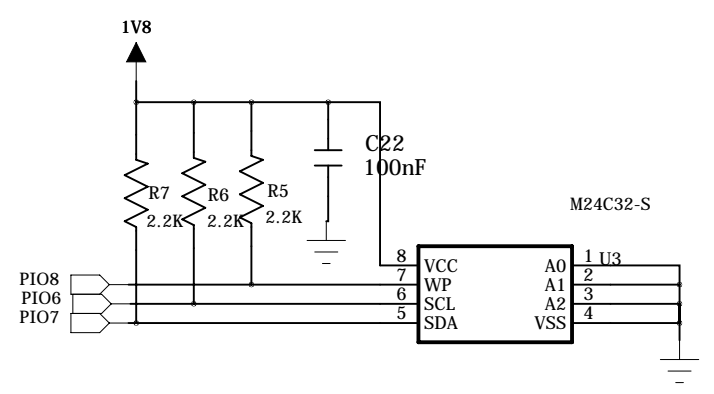
CHARGE



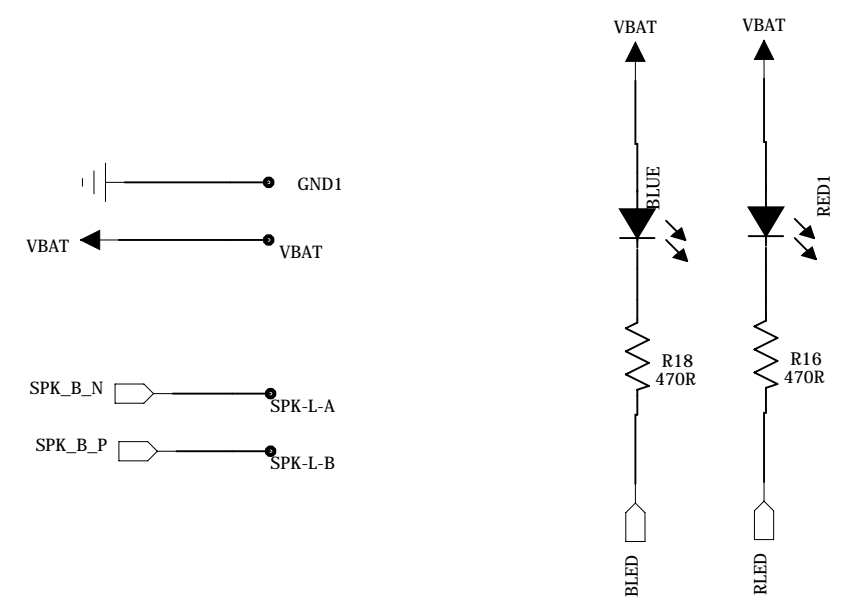
BUTTON



EEPROM



CONNECTION POINT



COMPANY:		
TYPE: W870		
DRAWN: JACK SHEN	DATED: 2012/06/02	
CHECKED: Liang zhu guang	DATED: 2012/06/04	SHEET: 2, totle 2 pages
RELEASED:	DATED:	REV: 1.0