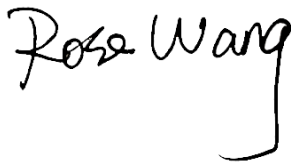


FCC SAR TEST REPORT


APPLICANT : LENOVO (BEIJING) LIMITED
EQUIPMENT : Gaming tablet computer
BRAND NAME : Lenovo
MODEL NAME : Lenovo L71051
FCC ID : A5MLP21B21
STANDARD : FCC 47 CFR Part 2 (2.1093)

The product was received on Feb. 07, 2021 and testing was started from Mar. 03, 2021 and completed on Apr. 14, 2021. We, Sporton International (Kunshan) Inc., would like to declare that the tested sample has been evaluated in accordance with the test procedures and has been in compliance with the applicable technical standards.

The test results in this report apply exclusively to the tested model / sample. Without written approval of Sporton International (Kunshan) Inc., the test report shall not be reproduced except in full.



Reviewed by: Rose Wang / Supervisor



Approved by: Kat Yin / Manager



Sporton International (Kunshan) Inc.

No. 1098, Pengxi North Road, Kunshan Economic Development Zone Jiangsu Province 215300
People's Republic of China



Table of Contents

1. Statement of Compliance 4

2. Administration Data 5

3. Guidance Applied..... 5

4. Equipment Under Test (EUT) Information 6

 4.1 General Information 6

5. RF Exposure Limits..... 7

 5.1 Uncontrolled Environment..... 7

 5.2 Controlled Environment..... 7

6. Specific Absorption Rate (SAR)..... 8

 6.1 Introduction 8

 6.2 SAR Definition..... 8

7. System Description and Setup 9

 7.1 E-Field Probe 10

 7.2 Data Acquisition Electronics (DAE) 10

 7.3 Phantom..... 11

 7.4 Device Holder..... 12

8. Measurement Procedures 13

 8.1 Spatial Peak SAR Evaluation 13

 8.2 Power Reference Measurement..... 14

 8.3 Area Scan 14

 8.4 Zoom Scan..... 15

 8.5 Volume Scan Procedures..... 15

 8.6 Power Drift Monitoring..... 15

9. Test Equipment List 16

10. System Verification 17

 10.1 Tissue Simulating Liquids..... 17

 10.2 Tissue Verification 18

 10.3 System Performance Check Results..... 19

11. RF Exposure Positions 20

 11.1 SAR Testing for Device..... 20

12. WiFi/Bluetooth Output Power (Unit: dBm) 21

13. Antenna Location 23

14. SAR Test Results 24

 14.1 Body SAR 25

 14.2 Extremity SAR..... 28

 14.3 Repeated SAR Measurement 31

15. Simultaneous Transmission Analysis 32

 15.1 Body Exposure Conditions 33

 15.2 Extremity Exposure Conditions 33

16. Uncertainty Assessment 34

17. References..... 35

Appendix A. Plots of System Performance Check

Appendix B. Plots of High SAR Measurement

Appendix C. DASy Calibration Certificate

Appendix D. Test Setup Photos

Appendix E. Conducted RF Output Power Table



History of this test report

Report No.	Version	Description	Issued Date
FA120211	01	Initial issue of report	May 11, 2021

1. Statement of Compliance

The maximum results of Specific Absorption Rate (SAR) found during testing for **LENOVO (BEIJING) LIMITED, Gaming tablet computer, Lenovo L71051**, are as follows.

Highest 1g SAR Summary				
Equipment Class	Frequency Band		Body (Separation 10mm)	Highest Simultaneous Transmission 1g SAR (W/kg)
			1g SAR (W/kg)	
DTS	WLAN	2.4GHz WLAN	0.40	-
NII		5GHz WLAN	1.19	1.30
DSS	2.4GHz Band	Bluetooth	0.11	1.30
Highest 10g SAR Summary				
Equipment Class	Frequency Band		Extremity (Separation 0mm)	Highest Simultaneous Transmission 10g SAR (W/kg)
			10g SAR (W/kg)	
DTS	WLAN	2.4GHz WLAN	1.14	-
NII		5GHz WLAN	1.98	2.26
DSS	2.4GHz Band	Bluetooth	0.28	2.26
Date of Testing:			2021/3/3 ~ 2021/4/14	

Declaration of Conformity:
The test results with all measurement uncertainty excluded are presented in accordance with the regulation limits or requirements declared by manufacturers.
Comments and Explanations:
The declared of product specification for EUT presented in the report are provided by the manufacturer, and the manufacturer takes all the responsibilities for the accuracy of product specification.

This device is in compliance with Specific Absorption Rate (SAR) for general population/uncontrolled exposure limits (1.6 W/kg for Partial-Body 1g SAR, 4.0 W/kg for Extremity 10g SAR) specified in FCC 47 CFR part 2 (2.1093) and ANSI/IEEE C95.1-1992, and had been tested in accordance with the measurement methods and procedures specified in IEEE 1528-2013 and FCC KDB publications.



2. Administration Data

Sporton International (Kunshan) Inc. is accredited to ISO/IEC 17025:2017 by American Association for Laboratory Accreditation with Certificate Number 5145.02.

Testing Laboratory		
Test Firm	Sporton International (Kunshan) Inc.	
Test Site Location	No. 1098, Pengxi North Road, Kunshan Economic Development Zone Jiangsu Province 215300 People's Republic of China TEL : +86-512-57900158 FAX : +86-512-57900958	
Test Site No.	FCC Designation No.	FCC Test Firm Registration No.
	CN1257	314309

Applicant	
Company Name	LENOVO (BEIJING) LIMITED
Address	201-H2-6, Floor 2, Building 2, No.6 Shangdi West Road, Haidian District, Beijing, China 100085

Manufacturer	
Company Name	Lenovo PC HK Limited
Address	23/F, Lincoln House, Taikoo Place 979 King's Road, Quarry Bay, Hong Kong, P.R. China

3. Guidance Applied

The Specific Absorption Rate (SAR) testing specification, method, and procedure for this device is in accordance with the following standards:

- FCC 47 CFR Part 2 (2.1093)
- ANSI/IEEE C95.1-1992
- IEEE 1528-2013
- FCC KDB 865664 D01 SAR Measurement 100 MHz to 6 GHz v01r04
- FCC KDB 865664 D02 SAR Reporting v01r02
- FCC KDB 447498 D01 General RF Exposure Guidance v06
- FCC KDB 248227 D01 802.11 Wi-Fi SAR v02r02
- FCC KDB 941225 D07 UMPC Mini Tablet v01r02

4. Equipment Under Test (EUT) Information

4.1 General Information

Product Feature & Specification	
Equipment Name	Gaming tablet computer
Brand Name	Lenovo
Model Name	Lenovo L71051
FCC ID	A5MLP21B21
S/N	895d16fa
Wireless Technology and Frequency Range	WLAN 2.4GHz Band: 2412 MHz ~ 2462 MHz WLAN 5.2GHz Band: 5180 MHz ~ 5240 MHz WLAN 5.3GHz Band: 5260 MHz ~ 5320 MHz WLAN 5.5GHz Band: 5500 MHz ~ 5720 MHz WLAN 5.8GHz Band: 5745 MHz ~ 5825 MHz Bluetooth: 2402 MHz ~ 2480 MHz
Mode	WLAN 2.4GHz 802.11b/g/n HT20 WLAN 5GHz 802.11a/n HT20/HT40 WLAN 5GHz 802.11ac VHT20/VHT40/VHT80 Bluetooth BR/EDR/LE
HW Version	DVT1
SW Version	L71051_ROW_SECURE_UD_Q00011.1_R_DRV_14.0_351_ST_210302
EUT Stage	Identical Prototype
Remark:	
<ol style="list-style-type: none"> This device has no voice function. 802.11n-HT40 is not supported in 2.4GHz WLAN. 	



5. RF Exposure Limits

5.1 Uncontrolled Environment

Uncontrolled Environments are defined as locations where there is the exposure of individuals who have no knowledge or control of their exposure. The general population/uncontrolled exposure limits are applicable to situations in which the general public may be exposed or in which persons who are exposed as a consequence of their employment may not be made fully aware of the potential for exposure or cannot exercise control over their exposure. Members of the general public would come under this category when exposure is not employment-related; for example, in the case of a wireless transmitter that exposes persons in its vicinity.

5.2 Controlled Environment

Controlled Environments are defined as locations where there is exposure that may be incurred by persons who are aware of the potential for exposure, (i.e. as a result of employment or occupation). In general, occupational/controlled exposure limits are applicable to situations in which persons are exposed as a consequence of their employment, who have been made fully aware of the potential for exposure and can exercise control over their exposure. The exposure category is also applicable when the exposure is of a transient nature due to incidental passage through a location where the exposure levels may be higher than the general population/uncontrolled limits, but the exposed person is fully aware of the potential for exposure and can exercise control over his or her exposure by leaving the area or by some other appropriate means.

Limits for Occupational/Controlled Exposure (W/kg)

Whole-Body	Partial-Body	Hands, Wrists, Feet and Ankles
0.4	8.0	20.0

Limits for General Population/Uncontrolled Exposure (W/kg)

Whole-Body	Partial-Body	Hands, Wrists, Feet and Ankles
0.08	1.6	4.0

Whole-Body SAR is averaged over the entire body, partial-body SAR is averaged over any 1gram of tissue defined as a tissue volume in the shape of a cube. SAR for hands, wrists, feet and ankles is averaged over any 10 grams of tissue defined as a tissue volume in the shape of a cube.

6. Specific Absorption Rate (SAR)

6.1 Introduction

SAR is related to the rate at which energy is absorbed per unit mass in an object exposed to a radio field. The SAR distribution in a biological body is complicated and is usually carried out by experimental techniques or numerical modeling. The standard recommends limits for two tiers of groups, occupational/controlled and general population/uncontrolled, based on a person's awareness and ability to exercise control over his or her exposure. In general, occupational/controlled exposure limits are higher than the limits for general population/uncontrolled.

6.2 SAR Definition

The SAR definition is the time derivative (rate) of the incremental energy (dW) absorbed by (dissipated in) an incremental mass (dm) contained in a volume element (dv) of a given density (ρ). The equation description is as below:

$$SAR = \frac{d}{dt} \left(\frac{dW}{dm} \right) = \frac{d}{dt} \left(\frac{dW}{\rho dv} \right)$$

SAR is expressed in units of Watts per kilogram (W/kg)

$$SAR = \frac{\sigma |E|^2}{\rho}$$

Where: σ is the conductivity of the tissue, ρ is the mass density of the tissue and E is the RMS electrical field strength.

7. System Description and Setup

The DASY system used for performing compliance tests consists of the following items:




- A standard high precision 6-axis robot with controller, teach pendant and software. An arm extension for accommodating the data acquisition electronics (DAE).
- An isotropic Field probe optimized and calibrated for the targeted measurement.
- A data acquisition electronics (DAE) which performs the signal amplification, signal multiplexing, AD-conversion, offset measurements, mechanical surface detection, collision detection, etc. The unit is battery powered with standard or rechargeable batteries. The signal is optically transmitted to the EOC.
- The Electro-optical converter (EOC) performs the conversion from optical to electrical signals for the digital communication to the DAE. To use optical surface detection, a special version of the EOC is required. The EOC signal is transmitted to the measurement server.
- The function of the measurement server is to perform the time critical tasks such as signal filtering, control of the robot operation and fast movement interrupts.
- The Light Beam used is for probe alignment. This improves the (absolute) accuracy of the probe positioning.
- A computer running WinXP or Win7 and the DASY5 software.
- Remote control and teach pendant as well as additional circuitry for robot safety such as warning lamps, etc.
- The phantom, the device holder and other accessories according to the targeted measurement.

7.1 E-Field Probe

The SAR measurement is conducted with the dosimetric probe (manufactured by SPEAG).The probe is specially designed and calibrated for use in liquid with high permittivity. The dosimetric probe has special calibration in liquid at different frequency. This probe has a built in optical surface detection system to prevent from collision with phantom.

<EX3DV4 Probe>

Construction	Symmetric design with triangular core Built-in shielding against static charges PEEK enclosure material (resistant to organic solvents, e.g., DGBE)	
Frequency	10 MHz – >6 GHz Linearity: ±0.2 dB (30 MHz – 6 GHz)	
Directivity	±0.3 dB in TSL (rotation around probe axis) ±0.5 dB in TSL (rotation normal to probe axis)	
Dynamic Range	10 µW/g – >100 mW/g Linearity: ±0.2 dB (noise: typically <1 µW/g)	
Dimensions	Overall length: 337 mm (tip: 20 mm) Tip diameter: 2.5 mm (body: 12 mm) Typical distance from probe tip to dipole centers: 1 mm	

7.2 Data Acquisition Electronics (DAE)

The data acquisition electronics (DAE) consists of a highly sensitive electrometer-grade preamplifier with auto-zeroing, a channel and gain-switching multiplexer, a fast 16 bit AD-converter and a command decoder and control logic unit. Transmission to the measurement server is accomplished through an optical downlink for data and status information as well as an optical uplink for commands and the clock.


The input impedance of the DAE is 200 MOhm; the inputs are symmetrical and floating. Common mode rejection is above 80 dB.



Photo of DAE


7.3 Phantom

<SAM Twin Phantom>

Shell Thickness	2 ± 0.2 mm; Center ear point: 6 ± 0.2 mm	
Filling Volume	Approx. 25 liters	
Dimensions	Length: 1000 mm; Width: 500 mm; Height: adjustable feet	
Measurement Areas	Left Hand, Right Hand, Flat Phantom	

The bottom plate contains three pair of bolts for locking the device holder. The device holder positions are adjusted to the standard measurement positions in the three sections. A white cover is provided to tap the phantom during off-periods to prevent water evaporation and changes in the liquid parameters. On the phantom top, three reference markers are provided to identify the phantom position with respect to the robot.

<ELI Phantom>

Shell Thickness	2 ± 0.2 mm (sagging: <1%)	
Filling Volume	Approx. 30 liters	
Dimensions	Major ellipse axis: 600 mm Minor axis: 400 mm	

The ELI phantom is intended for compliance testing of handheld and body-mounted wireless devices in the frequency range of 30 MHz to 6 GHz. ELI4 is fully compatible with standard and all known tissue simulating liquids.

7.4 Device Holder

<Mounting Device for Hand-Held Transmitter>

In combination with the Twin SAM V5.0/V5.0c or ELI phantoms, the Mounting Device for Hand-Held Transmitters enables rotation of the mounted transmitter device to specified spherical coordinates. At the heads, the rotation axis is at the ear opening. Transmitter devices can be easily and accurately positioned according to IEC 62209-1, IEEE 1528, FCC, or other specifications. The device holder can be locked for positioning at different phantom sections (left head, right head, flat). And upgrade kit to Mounting Device to enable easy mounting of wider devices like big smart-phones, e-books, small tablets, etc. It holds devices with width up to 140 mm.



Mounting Device for Hand-Held Transmitters



Mounting Device Adaptor for Wide-Phones

<Mounting Device for Laptops and other Body-Worn Transmitters>

The extension is lightweight and made of POM, acrylic glass and foam. It fits easily on the upper part of the mounting device in place of the phone positioned. The extension is fully compatible with the SAM Twin and ELI phantoms.



Mounting Device for Laptops

8. Measurement Procedures

The measurement procedures are as follows:

<Conducted power measurement>

- (a) For WLAN/BT power measurement, use engineering software to configure EUT WLAN/BT continuously transmission, at maximum RF power in each supported wireless interface and frequency band
- (b) Connect EUT RF port through RF cable to the power meter, and measure WLAN/BT output power

<SAR measurement>

- (a) Use engineering software to configure EUT WLAN/BT continuously transmission, at maximum RF power, in the highest power channel.
- (b) Place the EUT in the positions as Appendix D demonstrates.
- (c) Set scan area, grid size and other setting on the DASY software.
- (d) Measure SAR results for the highest power channel on each testing position.
- (e) Find out the largest SAR result on these testing positions of each band
- (f) Measure SAR results for other channels in worst SAR testing position if the reported SAR of highest power channel is larger than 0.8 W/kg

According to the test standard, the recommended procedure for assessing the peak spatial-average SAR value consists of the following steps:

- (a) Power reference measurement
- (b) Area scan
- (c) Zoom scan
- (d) Power drift measurement

8.1 Spatial Peak SAR Evaluation

The procedure for spatial peak SAR evaluation has been implemented according to the test standard. It can be conducted for 1g and 10g, as well as for user-specific masses. The DASY software includes all numerical procedures necessary to evaluate the spatial peak SAR value.

The base for the evaluation is a "cube" measurement. The measured volume must include the 1g and 10g cubes with the highest averaged SAR values. For that purpose, the center of the measured volume is aligned to the interpolated peak SAR value of a previously performed area scan.

The entire evaluation of the spatial peak values is performed within the post-processing engine (SEMCAD). The system always gives the maximum values for the 1g and 10g cubes. The algorithm to find the cube with highest averaged SAR is divided into the following stages:

- (a) Extraction of the measured data (grid and values) from the Zoom Scan
- (b) Calculation of the SAR value at every measurement point based on all stored data (A/D values and measurement parameters)
- (c) Generation of a high-resolution mesh within the measured volume
- (d) Interpolation of all measured values from the measurement grid to the high-resolution grid
- (e) Extrapolation of the entire 3-D field distribution to the phantom surface over the distance from sensor to surface
- (f) Calculation of the averaged SAR within masses of 1g and 10g

8.2 Power Reference Measurement

The Power Reference Measurement and Power Drift Measurements are for monitoring the power drift of the device under test in the batch process. The minimum distance of probe sensors to surface determines the closest measurement point to phantom surface. This distance cannot be smaller than the distance of sensor calibration points to probe tip as defined in the probe properties.

8.3 Area Scan

The area scan is used as a fast scan in two dimensions to find the area of high field values, before doing a fine measurement around the hot spot. The sophisticated interpolation routines implemented in DASY software can find the maximum found in the scanned area, within a range of the global maximum. The range (in dB0 is specified in the standards for compliance testing. For example, a 2 dB range is required in IEEE standard 1528 and IEC 62209 standards, whereby 3 dB is a requirement when compliance is assessed in accordance with the ARIB standard (Japan), if only one zoom scan follows the area scan, then only the absolute maximum will be taken as reference. For cases where multiple maximums are detected, the number of zoom scans has to be increased accordingly.

Area scan parameters extracted from FCC KDB 865664 D01v01r04 SAR measurement 100 MHz to 6 GHz.

	≤ 3 GHz	> 3 GHz
Maximum distance from closest measurement point (geometric center of probe sensors) to phantom surface	5 ± 1 mm	$\frac{1}{2} \cdot \delta \cdot \ln(2) \pm 0.5$ mm
Maximum probe angle from probe axis to phantom surface normal at the measurement location	30° ± 1°	20° ± 1°
Maximum area scan spatial resolution: $\Delta x_{Area}, \Delta y_{Area}$	≤ 2 GHz: ≤ 15 mm 2 – 3 GHz: ≤ 12 mm	3 – 4 GHz: ≤ 12 mm 4 – 6 GHz: ≤ 10 mm
	When the x or y dimension of the test device, in the measurement plane orientation, is smaller than the above, the measurement resolution must be ≤ the corresponding x or y dimension of the test device with at least one measurement point on the test device.	

8.4 Zoom Scan

Zoom scans are used assess the peak spatial SAR values within a cubic averaging volume containing 1 gram and 10 gram of simulated tissue. The zoom scan measures points (refer to table below) within a cube shoes base faces are centered on the maxima found in a preceding area scan job within the same procedure. When the measurement is done, the zoom scan evaluates the averaged SAR for 1 gram and 10 gram and displays these values next to the job's label.

Zoom scan parameters extracted from FCC KDB 865664 D01v01r04 SAR measurement 100 MHz to 6 GHz.

		≤ 3 GHz	> 3 GHz	
Maximum zoom scan spatial resolution: $\Delta x_{Zoom}, \Delta y_{Zoom}$		≤ 2 GHz: ≤ 8 mm 2 – 3 GHz: ≤ 5 mm*	3 – 4 GHz: ≤ 5 mm* 4 – 6 GHz: ≤ 4 mm*	
Maximum zoom scan spatial resolution, normal to phantom surface	uniform grid: $\Delta z_{Zoom}(n)$	≤ 5 mm	3 – 4 GHz: ≤ 4 mm 4 – 5 GHz: ≤ 3 mm 5 – 6 GHz: ≤ 2 mm	
	graded grid	$\Delta z_{Zoom}(1)$: between 1 st two points closest to phantom surface	≤ 4 mm	3 – 4 GHz: ≤ 3 mm 4 – 5 GHz: ≤ 2.5 mm 5 – 6 GHz: ≤ 2 mm
		$\Delta z_{Zoom}(n>1)$: between subsequent points	$\leq 1.5 \cdot \Delta z_{Zoom}(n-1)$	
Minimum zoom scan volume	x, y, z	≥ 30 mm	3 – 4 GHz: ≥ 28 mm 4 – 5 GHz: ≥ 25 mm 5 – 6 GHz: ≥ 22 mm	
Note: δ is the penetration depth of a plane-wave at normal incidence to the tissue medium; see draft standard IEEE P1528-2011 for details. * When zoom scan is required and the <i>reported</i> SAR from the <i>area scan based 1-g SAR estimation</i> procedures of KDB 447498 is ≤ 1.4 W/kg, ≤ 8 mm, ≤ 7 mm and ≤ 5 mm zoom scan resolution may be applied, respectively, for 2 GHz to 3 GHz, 3 GHz to 4 GHz and 4 GHz to 6 GHz.				

8.5 Volume Scan Procedures

The volume scan is used for assess overlapping SAR distributions for antennas transmitting in different frequency bands. It is equivalent to an oversized zoom scan used in standalone measurements. The measurement volume will be used to enclose all the simultaneous transmitting antennas. For antennas transmitting simultaneously in different frequency bands, the volume scan is measured separately in each frequency band. In order to sum correctly to compute the 1g aggregate SAR, the EUT remain in the same test position for all measurements and all volume scan use the same spatial resolution and grid spacing. When all volume scan were completed, the software, SEMCAD postprocessor can combine and subsequently superpose these measurement data to calculating the multiband SAR.

8.6 Power Drift Monitoring

All SAR testing is under the EUT install full charged battery and transmit maximum output power. In DASy measurement software, the power reference measurement and power drift measurement procedures are used for monitoring the power drift of EUT during SAR test. Both these procedures measure the field at a specified reference position before and after the SAR testing. The software will calculate the field difference in dB. If the power drifts more than 5%, the SAR will be retested.



9. Test Equipment List

Manufacturer	Name of Equipment	Type/Model	Serial Number	Calibration	
				Last Cal.	Due Date
SPEAG	2450MHz System Validation Kit	D2450V2	908	2019/3/25	2022/3/23
SPEAG	5000MHz System Validation Kit	D5GHzV2	1113	2019/9/24	2022/9/23
SPEAG	Data Acquisition Electronics	DAE4	1358	2020/4/28	2021/4/27
SPEAG	Dosimetric E-Field Probe	EX3DV4	7592	2020/5/22	2021/5/21
SPEAG	ELI4 Phantom	ELI4	TP-1079	NCR	NCR
SPEAG	Phone Positioner	N/A	N/A	NCR	NCR
Agilent	ENA Series Network Analyzer	E5071C	MY46106933	2020/8/1	2021/7/31
SPEAG	Dielectric Probe Kit	DAK-3.5	1138	2020/5/19	2021/5/18
Anritsu	Vector Signal Generator	MG3710A	6201682672	2021/1/7	2022/1/6
Rohde & Schwarz	Power Meter	NRVD	102081	2020/8/13	2021/8/12
Rohde & Schwarz	Power Sensor	NRV-Z5	100538	2020/8/13	2021/8/12
Rohde & Schwarz	Power Sensor	NRV-Z5	100539	2020/8/13	2021/8/12
R&S	CBT BLUETOOTH TESTER	CBT	101246	2020/4/14	2021/4/13
EXA	Spectrum Analyzer	FSV7	101631	2021/1/7	2022/1/6
Testo	Hygrometer	608-H1	1241332088	2021/1/7	2022/1/6
FLUKE	DIGITAC THERMOMETER	51II	97240029	2020/8/14	2021/8/13
ARRA	Power Divider	A3200-2	N/A	Note 1	
MCL	Attenuation1	BW-S10W5+	N/A	Note 1	
MCL	Attenuation2	BW-S10W5+	N/A	Note 1	
MCL	Attenuation3	BW-S10W5+	N/A	Note 1	
Agilent	Dual Directional Coupler	778D	20500	Note 1	
Agilent	Dual Directional Coupler	11691D	MY48151020	Note 1	
BONN	POWER AMPLIFIER	BLMA 0830-3	087193A	Note 1	
BONN	POWER AMPLIFIER	BLMA 2060-2	087193B	Note 1	

Note:

1. Prior to system verification and validation, the path loss from the signal generator to the system check source and the power meter, which includes the amplifier, cable, attenuator and directional coupler, was measured by the network analyzer. The reading of the power meter was offset by the path loss difference between the path to the power meter and the path to the system check source to monitor the actual power level fed to the system check source.
2. Referring to KDB 865664 D01v01r04, the dipole calibration interval can be extended to 3 years with justification. The dipoles are also not physically damaged, or repaired during the interval.
3. The justification data of dipole can be found in appendix C. The return loss is < -20dB, within 20% of prior calibration, the impedance is within 5 ohm of prior calibration.

10. System Verification

10.1 Tissue Simulating Liquids

For the measurement of the field distribution inside the SAM phantom with DASy, the phantom must be filled with around 25 liters of homogeneous body tissue simulating liquid. For body SAR testing, the liquid height from the center of the flat phantom to the liquid top surface is larger than 15 cm, which is shown in Fig. 10.1.

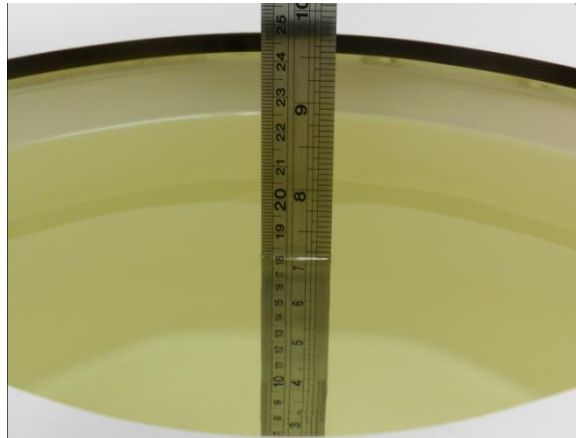


Fig 10.1 Photo of Liquid Height for Body SAR

10.2 Tissue Verification

The following tissue formulations are provided for reference only as some of the parameters have not been thoroughly verified. The composition of ingredients may be modified accordingly to achieve the desired target tissue parameters required for routine SAR evaluation.

Frequency (MHz)	Water (%)	Sugar (%)	Cellulose (%)	Salt (%)	Preventol (%)	DGBE (%)	Conductivity (σ)	Permittivity (ϵ_r)
For Head								
2450	55.0	0	0	0	0	45.0	1.80	39.2

Simulating Liquid for 5GHz, Manufactured by SPEAG

Ingredients	(% by weight)
Water	64~78%
Mineral oil	11~18%
Emulsifiers	9~15%
Additives and Salt	2~3%

<Tissue Dielectric Parameter Check Results>

Frequency (MHz)	Tissue Type	Liquid Temp. (°C)	Conductivity (σ)	Permittivity (ϵ_r)	Conductivity Target (σ)	Permittivity Target (ϵ_r)	Delta (σ) (%)	Delta (ϵ_r) (%)	Limit (%)	Date
2450	Head	22.8	1.714	38.213	1.80	39.20	-4.78	-2.52	±5	2021/4/10
5250	Head	22.7	4.639	36.202	4.71	35.95	-1.51	0.70	±5	2021/4/11
5600	Head	22.6	4.985	35.576	5.07	35.50	-1.68	0.21	±5	2021/4/12
5750	Head	22.6	5.219	35.281	5.22	35.35	-0.02	-0.20	±5	2021/4/13
2450	Head	22.9	1.781	40.614	1.80	39.20	-1.06	3.61	±5	2021/3/3
5250	Head	22.6	4.694	35.722	4.71	35.95	-0.34	-0.63	±5	2021/3/5
5600	Head	22.9	5.107	35.090	5.07	35.50	0.73	-1.15	±5	2021/4/14
5750	Head	22.8	5.278	34.805	5.22	35.35	1.11	-1.54	±5	2021/3/9

10.3 System Performance Check Results

Comparing to the original SAR value provided by SPEAG, the verification data should be within its specification of 10 %. Below table shows the target SAR and measured SAR after normalized to 1W input power. The table below indicates the system performance check can meet the variation criterion and the plots can be referred to Appendix A of this report.

<1g>

Date	Frequency (MHz)	Tissue Type	Input Power (mW)	Dipole S/N	Probe S/N	DAE S/N	Measured 1g SAR (W/kg)	Targeted 1g SAR (W/kg)	Normalized 1g SAR (W/kg)	Deviation (%)
2021/4/10	2450	Head	250	908	7592	1358	13.10	52.80	52.4	-0.76
2021/4/11	5250	Head	100	1113	7592	1358	8.07	80.50	80.7	0.25
2021/4/12	5600	Head	100	1113	7592	1358	7.86	83.40	78.6	-5.76
2021/4/13	5750	Head	100	1113	7592	1358	7.36	80.00	73.6	-8.00

<10g>

Date	Frequency (MHz)	Tissue Type	Input Power (mW)	Dipole S/N	Probe S/N	DAE S/N	Measured 10g SAR (W/kg)	Targeted 10g SAR (W/kg)	Normalized 10g SAR (W/kg)	Deviation (%)
2021/3/3	2450	Head	250	908	7592	1358	5.65	24.20	22.6	-6.61
2021/3/5	5250	Head	100	1113	7592	1358	2.26	23.10	22.6	-2.16
2021/4/14	5600	Head	100	1113	7592	1358	2.18	23.80	21.8	-8.40
2021/3/9	5750	Head	100	1113	7592	1358	2.19	22.80	21.9	-3.95

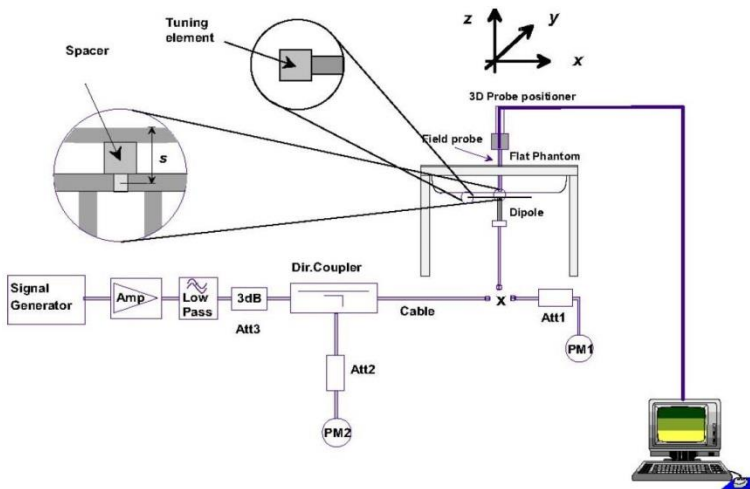


Fig 8.3.1 System Performance Check Setup



Fig 8.3.2 Setup Photo



11. RF Exposure Positions

11.1 SAR Testing for Device

Per KDB 941225 D07, the UMPC mini-tablet devices must be tested for 1-g SAR on all surfaces and side edges with a transmitting antenna located at ≤ 25 mm from that surface or edge, at 10 mm separation from a flat phantom for body SAR. And a test separation distance 0 mm for 10-g extremity SAR for all measured 1-g (10 mm) SAR configurations to address hand exposure.

<EUT Setup Photos>

Please refer to Appendix D for the test setup photos.

12. WiFi/Bluetooth Output Power (Unit: dBm)

<WLAN Conducted Power>

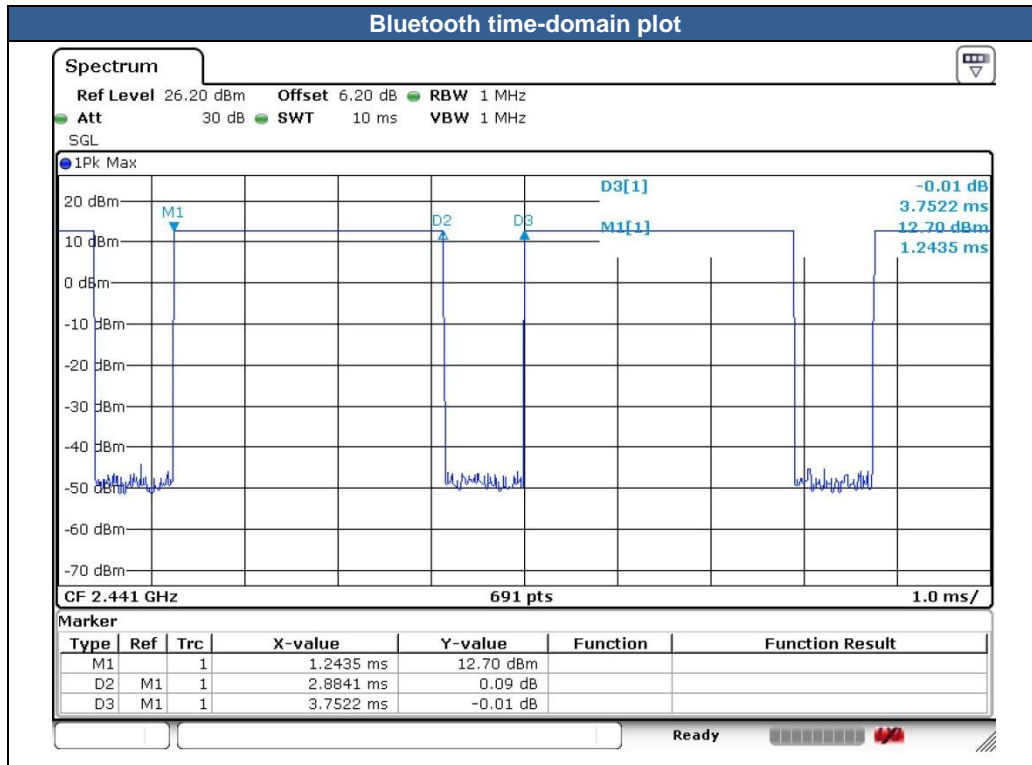
General Note:

1. Per KDB 248227 D01v02r02, SAR test reduction is determined according to 802.11 transmission mode configurations and certain exposure conditions with multiple test positions. In the 2.4 GHz band, separate SAR procedures are applied to DSSS and OFDM configurations to simplify DSSS test requirements. For OFDM, in both 2.4 and 5 GHz bands, an initial test configuration must be determined for each standalone and aggregated frequency band, according to the transmission mode configuration with the highest maximum output power specified for production units to perform SAR measurements. If the same highest maximum output power applies to different combinations of channel bandwidths, modulations and data rates, additional procedures are applied to determine which test configurations require SAR measurement. When applicable, an initial test position may be applied to reduce the number of SAR measurements required for next to the ear, UMPC mini-tablet or hotspot mode configurations with multiple test positions.
2. For 2.4 GHz 802.11b DSSS, either the initial test position procedure for multiple exposure test positions or the DSSS procedure for fixed exposure position is applied; these are mutually exclusive. For 2.4 GHz and 5 GHz OFDM configurations, the initial test configuration is applied to measure SAR using either the initial test position procedure for multiple exposure test position configurations or the initial test configuration procedures for fixed exposure test conditions. Based on the reported SAR of the measured configurations and maximum output power of the transmission mode configurations that are not included in the initial test configuration, the subsequent test configuration and initial test position procedures are applied to determine if SAR measurements are required for the remaining OFDM transmission configurations. In general, the number of test channels that require SAR measurement is minimized based on maximum output power measured for the test sample(s).
3. For OFDM transmission configurations in the 2.4 GHz and 5 GHz bands, When the same maximum power is specified for multiple transmission modes in a frequency band, the largest channel bandwidth, lowest order modulation, lowest data rate and lowest order 802.11a/g/n/ac mode is used for SAR measurement, on the highest measured output power channel for each frequency band.
4. DSSS and OFDM configurations are considered separately according to the required SAR procedures. SAR is measured in the initial test position using the 802.11 transmission mode configuration required by the DSSS procedure or initial test configuration and subsequent test configuration(s) according to the OFDM procedures.18 The initial test position procedure is described in the following:
 - a. When the reported SAR of the initial test position is ≤ 0.4 W/kg, further SAR measurement is not required for the other test positions in that exposure configuration and 802.11 transmission mode combinations within the frequency band or aggregated band.
 - b. When the reported SAR of the test position is > 0.4 W/kg, SAR is repeated for the 802.11 transmission mode configuration tested in the initial test position to measure the subsequent next closet/smallest test separation distance and maximum coupling test position on the highest maximum output power channel, until the report SAR is ≤ 0.8 W/kg or all required test position are tested.
 - c. For all positions/configurations, when the reported SAR is > 0.8 W/kg, SAR is measured for these test positions/configurations on the subsequent next highest measured output power channel(s) until the reported SAR is ≤ 1.2 W/kg or all required channels are tested.

<2.4GHz Bluetooth>

General Note:

1. For 2.4GHz Bluetooth SAR testing was selected 1Mbps, due to its highest average power.
2. The Bluetooth duty cycle is 76.86% as following figure, according to 2016 Oct. TCB workshop for Bluetooth SAR scaling need further consideration and the duty cycle is 100%, therefore the actual duty cycle will be scaled up to the value of Bluetooth reported SAR calculation





13. Antenna Location

The detailed antenna location information can refer to SAR Test Setup Photos.

14. SAR Test Results

General Note:

1. Per KDB 447498 D01v06, the reported SAR is the measured SAR value adjusted for maximum tune-up tolerance.
 - a. Tune-up scaling Factor = tune-up limit power (mW) / EUT RF power (mW), where tune-up limit is the maximum rated power among all production units.
 - b. For SAR testing of WLAN/BT signal with non-100% duty cycle, the measured SAR is scaled-up by the duty cycle scaling factor which is equal to "1/(duty cycle)"
 - c. For WLAN/Bluetooth: Reported SAR(W/kg)= Measured SAR(W/kg)* Duty Cycle scaling factor * Tune-up scaling factor
2. Per KDB 447498 D01v06, for each exposure position, testing of other required channels within the operating mode of a frequency band is not required when the *reported* 1-g or 10-g SAR for the mid-band or highest output power channel is:
 - ≤ 0.8 W/kg or 2.0 W/kg, for 1-g or 10-g respectively, when the transmission band is ≤ 100 MHz
 - ≤ 0.6 W/kg or 1.5 W/kg, for 1-g or 10-g respectively, when the transmission band is between 100 MHz and 200 MHz
 - ≤ 0.4 W/kg or 1.0 W/kg, for 1-g or 10-g respectively, when the transmission band is ≥ 200 MHz
3. Per KDB 865664 D01v01r04, for each frequency band, repeated SAR measurement is required when the measured SAR is ≥ 0.8 W/kg. Per KDB 865664 D01v01r04, if the extremity repeated SAR is necessary, the same procedures should be adapted for measurements according to extremity and occupational exposure limits by applying a factor of 2.5 for extremity exposure and a factor of 5 for occupational exposure to the corresponding SAR thresholds.
4. Pre KDB648474 D04v01r03, when the reported SAR for a body-worn accessory, measured without a headset connected to the handset, is > 1.2 W/kg, the highest reported SAR configuration for that wireless mode and frequency band should be repeated for that body-worn accessory with a headset attached to the handset. When headset SAR is less than or equal than without headset SAR, no need to verify the remaining channels for headset SAR.

WLAN Note:

1. Per KDB 248227 D01v02r02, for 2.4GHz 802.11g/n SAR testing is not required when the highest reported SAR for DSSS is adjusted by the ratio of OFDM to DSSS specified maximum output power and the adjusted SAR is ≤ 1.2 W/kg.
2. Per KDB 248227 D01v02r02, U-NII-1 SAR testing is not required when the U-NII-2A band with higher maximum tune up power, SAR testing is not required for U-NII-1 band.
3. When the reported SAR of the test position is > 0.4 W/kg, SAR is repeated for the 802.11 transmission mode configuration tested in the initial test position to measure the subsequent next closet/smallest test separation distance and maximum coupling test position on the highest maximum output power channel, until the report SAR is ≤ 0.8 W/kg or all required test position are tested.
4. For all positions / configurations, when the reported SAR is > 0.8 W/kg, SAR is measured for these test positions / configurations on the subsequent next highest measured output power channel(s) until the reported SAR is ≤ 1.2 W/kg or all required channels are tested.
5. During SAR testing the WLAN transmission was verified using a spectrum analyzer.

14.1 Body SAR

<WLAN2.4G SAR>

Plot No.	Band	Mode	Test Position	Gap (mm)	Antenna	Ch.	Freq. (MHz)	Average Power (dBm)	Tune-Up Limit (dBm)	Tune-up Scaling Factor	Duty Cycle %	Duty Cycle Scaling Factor	Power Drift (dB)	Measured 1g SAR (W/kg)	Reported 1g SAR (W/kg)
	WLAN2.4GHz	802.11b 1Mbps	Front	10mm	Ant 1	6	2437	15.23	16.50	1.340	100	1.000	0.04	0.153	0.205
	WLAN2.4GHz	802.11b 1Mbps	Back	10mm	Ant 1	6	2437	15.23	16.50	1.340	100	1.000	0.01	0.125	0.167
	WLAN2.4GHz	802.11b 1Mbps	Left Side	10mm	Ant 1	6	2437	15.23	16.50	1.340	100	1.000	0.05	0.001	0.001
	WLAN2.4GHz	802.11b 1Mbps	Right Side	10mm	Ant 1	6	2437	15.23	16.50	1.340	100	1.000	0.18	0.001	0.001
	WLAN2.4GHz	802.11b 1Mbps	Top Side	10mm	Ant 1	6	2437	15.23	16.50	1.340	100	1.000	-0.19	0.248	0.332
	WLAN2.4GHz	802.11b 1Mbps	Bottom Side	10mm	Ant 1	6	2437	15.23	16.50	1.340	100	1.000	0.09	0.001	0.001
	WLAN2.4GHz	802.11b 1Mbps	Top Side	10mm	Ant 1	1	2412	15.22	16.50	1.343	100	1.000	0.05	0.182	0.244
	WLAN2.4GHz	802.11b 1Mbps	Top Side	10mm	Ant 1	11	2462	15.14	16.50	1.368	100	1.000	0.05	0.234	0.320
	WLAN2.4GHz	802.11b 1Mbps	Front	10mm	Ant 2	6	2437	15.41	16.50	1.285	100	1.000	0.05	0.092	0.118
	WLAN2.4GHz	802.11b 1Mbps	Back	10mm	Ant 2	6	2437	15.41	16.50	1.285	100	1.000	-0.17	0.001	0.001
	WLAN2.4GHz	802.11b 1Mbps	Left Side	10mm	Ant 2	6	2437	15.41	16.50	1.285	100	1.000	0.06	0.001	0.001
	WLAN2.4GHz	802.11b 1Mbps	Right Side	10mm	Ant 2	6	2437	15.41	16.50	1.285	100	1.000	-0.14	0.001	0.001
	WLAN2.4GHz	802.11b 1Mbps	Top Side	10mm	Ant 2	6	2437	15.41	16.50	1.285	100	1.000	0.07	0.123	0.158
	WLAN2.4GHz	802.11b 1Mbps	Bottom Side	10mm	Ant 2	6	2437	15.41	16.50	1.285	100	1.000	0.01	0.001	0.001
	WLAN2.4GHz	802.11b 1Mbps	Top Side	10mm	Ant 2	1	2412	15.32	16.50	1.312	100	1.000	0.01	0.149	0.196
	WLAN2.4GHz	802.11b 1Mbps	Top Side	10mm	Ant 2	11	2462	15.29	16.50	1.321	100	1.000	0.12	0.120	0.159
	WLAN2.4GHz	802.11b 1Mbps	Front	10mm	Ant 1+2	6	2437	18.33	19.50	1.309	100	1.000	-0.04	0.105	0.137
	WLAN2.4GHz	802.11b 1Mbps	Back	10mm	Ant 1+2	6	2437	18.33	19.50	1.309	100	1.000	0.07	0.049	0.064
	WLAN2.4GHz	802.11b 1Mbps	Left Side	10mm	Ant 1+2	6	2437	18.33	19.50	1.309	100	1.000	0.05	0.001	0.001
	WLAN2.4GHz	802.11b 1Mbps	Right Side	10mm	Ant 1+2	6	2437	18.33	19.50	1.309	100	1.000	0.07	0.001	0.001
	WLAN2.4GHz	802.11b 1Mbps	Top Side	10mm	Ant 1+2	6	2437	18.33	19.50	1.309	100	1.000	-0.02	0.289	0.378
	WLAN2.4GHz	802.11b 1Mbps	Bottom Side	10mm	Ant 1+2	6	2437	18.33	19.50	1.309	100	1.000	0.02	0.001	0.001
01	WLAN2.4GHz	802.11b 1Mbps	Top Side	10mm	Ant 1+2	1	2412	18.28	19.50	1.324	100	1.000	-0.04	0.303	0.401
	WLAN2.4GHz	802.11b 1Mbps	Top Side	10mm	Ant 1+2	11	2462	18.23	19.50	1.340	100	1.000	0.07	0.254	0.340

<Bluetooth>

Plot No.	Band	Mode	Test Position	Gap (mm)	Antenna	Ch.	Freq. (MHz)	Average Power (dBm)	Tune-Up Limit (dBm)	Tune-up Scaling Factor	Duty Cycle %	Duty Cycle Scaling Factor	Power Drift (dB)	Measured 1g SAR (W/kg)	Reported 1g SAR (W/kg)
	Bluetooth	1Mbps	Front	10mm	Ant 1	78	2480	13.55	14.00	1.108	76.86	1.301	0.02	0.024	0.035
	Bluetooth	1Mbps	Back	10mm	Ant 1	78	2480	13.55	14.00	1.108	76.86	1.301	0.02	0.003	0.004
	Bluetooth	1Mbps	Left Side	10mm	Ant 1	78	2480	13.55	14.00	1.108	76.86	1.301	0.14	0.002	0.003
	Bluetooth	1Mbps	Right Side	10mm	Ant 1	78	2480	13.55	14.00	1.108	76.86	1.301	0.01	0.001	0.001
	Bluetooth	1Mbps	Top Side	10mm	Ant 1	78	2480	13.55	14.00	1.108	76.86	1.301	0.16	0.058	0.084
	Bluetooth	1Mbps	Bottom Side	10mm	Ant 1	78	2480	13.55	14.00	1.108	76.86	1.301	-0.08	0.001	0.001
02	Bluetooth	1Mbps	Top Side	10mm	Ant 1	0	2402	12.93	14.00	1.279	76.86	1.301	0.02	0.063	0.105
	Bluetooth	1Mbps	Top Side	10mm	Ant 1	39	2441	12.96	14.00	1.270	76.86	1.301	0.05	0.060	0.099



<WLAN5G SAR>

Plot No.	Band	Mode	Test Position	Gap (mm)	Antenna	Ch.	Freq. (MHz)	Average Power (dBm)	Tune-Up Limit (dBm)	Tune-up Scaling Factor	Duty Cycle %	Duty Cycle Scaling Factor	Power Drift (dB)	Measured 1g SAR (W/kg)	Reported 1g SAR (W/kg)
	WLAN5.3GHz	802.11n-HT40 MCS0	Front	10mm	Ant 1	54	5270	17.35	17.50	1.035	96.32	1.038	0.05	0.366	0.393
	WLAN5.3GHz	802.11n-HT40 MCS0	Back	10mm	Ant 1	54	5270	17.35	17.50	1.035	96.32	1.038	-0.02	0.328	0.352
	WLAN5.3GHz	802.11n-HT40 MCS0	Left Side	10mm	Ant 1	54	5270	17.35	17.50	1.035	96.32	1.038	-0.11	0.041	0.044
	WLAN5.3GHz	802.11n-HT40 MCS0	Right Side	10mm	Ant 1	54	5270	17.35	17.50	1.035	96.32	1.038	-0.1	0.038	0.041
	WLAN5.3GHz	802.11n-HT40 MCS0	Top Side	10mm	Ant 1	54	5270	17.35	17.50	1.035	96.32	1.038	0.09	1.030	1.106
	WLAN5.3GHz	802.11n-HT40 MCS0	Bottom Side	10mm	Ant 1	54	5270	17.35	17.50	1.035	96.32	1.038	0.18	0.060	0.064
	WLAN5.3GHz	802.11n-HT40 MCS0	Top Side	10mm	Ant 1	62	5310	16.67	17.50	1.210	96.32	1.038	0.04	0.870	1.093
	WLAN5.3GHz	802.11n-HT40 MCS0	Front	10mm	Ant 2	54	5270	17.21	17.50	1.068	96.32	1.038	0.02	0.199	0.221
	WLAN5.3GHz	802.11n-HT40 MCS0	Back	10mm	Ant 2	54	5270	17.21	17.50	1.068	96.32	1.038	-0.04	0.112	0.124
	WLAN5.3GHz	802.11n-HT40 MCS0	Left Side	10mm	Ant 2	54	5270	17.21	17.50	1.068	96.32	1.038	0.01	0.045	0.050
	WLAN5.3GHz	802.11n-HT40 MCS0	Right Side	10mm	Ant 2	54	5270	17.21	17.50	1.068	96.32	1.038	-0.17	0.023	0.026
	WLAN5.3GHz	802.11n-HT40 MCS0	Top Side	10mm	Ant 2	54	5270	17.21	17.50	1.068	96.32	1.038	0.08	0.649	0.720
	WLAN5.3GHz	802.11n-HT40 MCS0	Bottom Side	10mm	Ant 2	54	5270	17.21	17.50	1.068	96.32	1.038	0.07	0.034	0.038
	WLAN5.3GHz	802.11n-HT40 MCS0	Top Side	10mm	Ant 2	62	5310	16.31	17.50	1.314	96.32	1.038	-0.12	0.629	0.858
	WLAN5.3GHz	802.11n-HT40 MCS0	Front	10mm	Ant 1+2	54	5270	20.29	20.50	1.049	96.32	1.038	0.1	0.319	0.347
	WLAN5.3GHz	802.11n-HT40 MCS0	Back	10mm	Ant 1+2	54	5270	20.29	20.50	1.049	96.32	1.038	-0.01	0.321	0.349
	WLAN5.3GHz	802.11n-HT40 MCS0	Left Side	10mm	Ant 1+2	54	5270	20.29	20.50	1.049	96.32	1.038	0.06	0.044	0.048
	WLAN5.3GHz	802.11n-HT40 MCS0	Right Side	10mm	Ant 1+2	54	5270	20.29	20.50	1.049	96.32	1.038	0.02	0.049	0.053
03	WLAN5.3GHz	802.11n-HT40 MCS0	Top Side	10mm	Ant 1+2	54	5270	20.29	20.50	1.049	96.32	1.038	-0.01	1.050	1.143
	WLAN5.3GHz	802.11n-HT40 MCS0	Bottom Side	10mm	Ant 1+2	54	5270	20.29	20.50	1.049	96.32	1.038	0.04	0.072	0.078
	WLAN5.3GHz	802.11n-HT40 MCS0	Top Side	10mm	Ant 1+2	62	5310	19.51	20.50	1.257	96.32	1.038	0.19	0.830	1.083
	WLAN5.5GHz	802.11ac-VHT80 MCS0	Front	10mm	Ant 1	138	5690	14.50	15.00	1.122	92.49	1.081	0.07	0.109	0.132
	WLAN5.5GHz	802.11ac-VHT80 MCS0	Back	10mm	Ant 1	138	5690	14.50	15.00	1.122	92.49	1.081	0.01	0.138	0.167
	WLAN5.5GHz	802.11ac-VHT80 MCS0	Left Side	10mm	Ant 1	138	5690	14.50	15.00	1.122	92.49	1.081	0.16	0.074	0.090
	WLAN5.5GHz	802.11ac-VHT80 MCS0	Right Side	10mm	Ant 1	138	5690	14.50	15.00	1.122	92.49	1.081	0.03	0.040	0.049
	WLAN5.5GHz	802.11ac-VHT80 MCS0	Top Side	10mm	Ant 1	138	5690	14.50	15.00	1.122	92.49	1.081	0.15	0.353	0.428
	WLAN5.5GHz	802.11ac-VHT80 MCS0	Bottom Side	10mm	Ant 1	138	5690	14.50	15.00	1.122	92.49	1.081	-0.04	0.077	0.093
	WLAN5.5GHz	802.11ac-VHT80 MCS0	Top Side	10mm	Ant 1	106	5530	14.33	15.00	1.167	92.49	1.081	0.04	0.438	0.553
	WLAN5.5GHz	802.11ac-VHT80 MCS0	Top Side	10mm	Ant 1	122	5610	14.42	15.00	1.143	92.49	1.081	0.13	0.387	0.478
	WLAN5.5GHz	802.11ac-VHT80 MCS0	Front	10mm	Ant 2	138	5690	13.99	15.00	1.262	92.49	1.081	0.19	0.345	0.471
	WLAN5.5GHz	802.11ac-VHT80 MCS0	Back	10mm	Ant 2	138	5690	13.99	15.00	1.262	92.49	1.081	0.17	0.214	0.292
	WLAN5.5GHz	802.11ac-VHT80 MCS0	Left Side	10mm	Ant 2	138	5690	13.99	15.00	1.262	92.49	1.081	0.03	0.046	0.063
	WLAN5.5GHz	802.11ac-VHT80 MCS0	Right Side	10mm	Ant 2	138	5690	13.99	15.00	1.262	92.49	1.081	-0.14	0.047	0.064
	WLAN5.5GHz	802.11ac-VHT80 MCS0	Top Side	10mm	Ant 2	138	5690	13.99	15.00	1.262	92.49	1.081	0.16	0.802	1.094
	WLAN5.5GHz	802.11ac-VHT80 MCS0	Bottom Side	10mm	Ant 2	138	5690	13.99	15.00	1.262	92.49	1.081	0.08	0.107	0.146
	WLAN5.5GHz	802.11ac-VHT80 MCS0	Top Side	10mm	Ant 2	106	5530	13.87	15.00	1.297	92.49	1.081	0.02	0.836	1.172
	WLAN5.5GHz	802.11ac-VHT80 MCS0	Top Side	10mm	Ant 2	122	5610	13.93	15.00	1.280	92.49	1.081	0.1	0.824	1.140
	WLAN5.5GHz	802.11ac-VHT80 MCS0	Front	10mm	Ant 1+2	138	5690	17.26	18.00	1.185	92.49	1.081	0.14	0.342	0.438
	WLAN5.5GHz	802.11ac-VHT80 MCS0	Back	10mm	Ant 1+2	138	5690	17.26	18.00	1.185	92.49	1.081	0.15	0.218	0.279
	WLAN5.5GHz	802.11ac-VHT80 MCS0	Left Side	10mm	Ant 1+2	138	5690	17.26	18.00	1.185	92.49	1.081	0.05	0.068	0.087
	WLAN5.5GHz	802.11ac-VHT80 MCS0	Right Side	10mm	Ant 1+2	138	5690	17.26	18.00	1.185	92.49	1.081	-0.14	0.077	0.099
04	WLAN5.5GHz	802.11ac-VHT80 MCS0	Top Side	10mm	Ant 1+2	138	5690	17.26	18.00	1.185	92.49	1.081	-0.01	0.931	1.193
	WLAN5.5GHz	802.11ac-VHT80 MCS0	Bottom Side	10mm	Ant 1+2	138	5690	17.26	18.00	1.185	92.49	1.081	0.08	0.050	0.064
	WLAN5.5GHz	802.11ac-VHT80 MCS0	Top Side	10mm	Ant 1+2	106	5530	17.12	18.00	1.226	92.49	1.081	0.11	0.897	1.189
	WLAN5.5GHz	802.11ac-VHT80 MCS0	Top Side	10mm	Ant 1+2	122	5610	17.19	18.00	1.205	92.49	1.081	0.05	0.826	1.076
	WLAN5.8GHz	802.11a 6Mbps	Front	10mm	Ant 1	157	5785	12.67	13.50	1.212	98.28	1.018	0.03	0.079	0.097
	WLAN5.8GHz	802.11a 6Mbps	Back	10mm	Ant 1	157	5785	12.67	13.50	1.212	98.28	1.018	0.09	0.075	0.093
	WLAN5.8GHz	802.11a 6Mbps	Left Side	10mm	Ant 1	157	5785	12.67	13.50	1.212	98.28	1.018	0.13	0.053	0.065
	WLAN5.8GHz	802.11a 6Mbps	Right Side	10mm	Ant 1	157	5785	12.67	13.50	1.212	98.28	1.018	0.04	0.003	0.004
	WLAN5.8GHz	802.11a 6Mbps	Top Side	10mm	Ant 1	157	5785	12.67	13.50	1.212	98.28	1.018	0.06	0.195	0.241
	WLAN5.8GHz	802.11a 6Mbps	Bottom Side	10mm	Ant 1	157	5785	12.67	13.50	1.212	98.28	1.018	0.05	0.039	0.048



	WLAN5.8GHz	802.11a 6Mbps	Top Side	10mm	Ant 1	149	5745	12.59	13.50	1.234	98.28	1.018	0.07	0.243	0.305
	WLAN5.8GHz	802.11a 6Mbps	Top Side	10mm	Ant 1	165	5825	12.25	13.50	1.335	98.28	1.018	0.06	0.224	0.304
	WLAN5.8GHz	802.11a 6Mbps	Front	10mm	Ant 2	157	5785	12.74	13.50	1.192	98.28	1.018	0.01	0.352	0.427
	WLAN5.8GHz	802.11a 6Mbps	Back	10mm	Ant 2	157	5785	12.74	13.50	1.192	98.28	1.018	0.07	0.157	0.191
	WLAN5.8GHz	802.11a 6Mbps	Left Side	10mm	Ant 2	157	5785	12.74	13.50	1.192	98.28	1.018	-0.09	0.032	0.039
	WLAN5.8GHz	802.11a 6Mbps	Right Side	10mm	Ant 2	157	5785	12.74	13.50	1.192	98.28	1.018	-0.11	0.046	0.056
	WLAN5.8GHz	802.11a 6Mbps	Top Side	10mm	Ant 2	157	5785	12.74	13.50	1.192	98.28	1.018	-0.1	0.794	0.964
	WLAN5.8GHz	802.11a 6Mbps	Bottom Side	10mm	Ant 2	157	5785	12.74	13.50	1.192	98.28	1.018	0.06	0.044	0.053
05	WLAN5.8GHz	802.11a 6Mbps	Top Side	10mm	Ant 2	149	5745	12.50	13.50	1.260	98.28	1.018	-0.08	0.843	1.081
	WLAN5.8GHz	802.11a 6Mbps	Top Side	10mm	Ant 2	165	5825	12.40	13.50	1.290	98.28	1.018	0.04	0.815	1.070
	WLAN5.8GHz	802.11a 6Mbps	Front	10mm	Ant 1+2	157	5785	15.71	16.50	1.199	98.28	1.018	0.05	0.345	0.421
	WLAN5.8GHz	802.11a 6Mbps	Back	10mm	Ant 1+2	157	5785	15.71	16.50	1.199	98.28	1.018	0.18	0.136	0.166
	WLAN5.8GHz	802.11a 6Mbps	Left Side	10mm	Ant 1+2	157	5785	15.71	16.50	1.199	98.28	1.018	-0.19	0.069	0.084
	WLAN5.8GHz	802.11a 6Mbps	Right Side	10mm	Ant 1+2	157	5785	15.71	16.50	1.199	98.28	1.018	0.09	0.073	0.089
	WLAN5.8GHz	802.11a 6Mbps	Top Side	10mm	Ant 1+2	157	5785	15.71	16.50	1.199	98.28	1.018	0.14	0.767	0.936
	WLAN5.8GHz	802.11a 6Mbps	Bottom Side	10mm	Ant 1+2	157	5785	15.71	16.50	1.199	98.28	1.018	0.01	0.081	0.099
	WLAN5.8GHz	802.11a 6Mbps	Top Side	10mm	Ant 1+2	149	5745	15.55	16.50	1.244	98.28	1.018	0.03	0.784	0.993
	WLAN5.8GHz	802.11a 6Mbps	Top Side	10mm	Ant 1+2	165	5825	15.33	16.50	1.309	98.28	1.018	0.02	0.676	0.901

14.2 Extremity SAR

<WLAN2.4G SAR>

Plot No.	Band	Mode	Test Position	Gap (mm)	Antenna	Ch.	Freq. (MHz)	Average Power (dBm)	Tune-Up Limit (dBm)	Tune-up Scaling Factor	Duty Cycle %	Duty Cycle Scaling Factor	Power Drift (dB)	Measured 10g SAR (W/kg)	Reported 10g SAR (W/kg)
	WLAN2.4GHz	802.11b 1Mbps	Front	0mm	Ant 1	6	2437	15.23	16.50	1.340	100	1.000	0.03	0.338	0.453
	WLAN2.4GHz	802.11b 1Mbps	Back	0mm	Ant 1	6	2437	15.23	16.50	1.340	100	1.000	0.05	0.056	0.075
	WLAN2.4GHz	802.11b 1Mbps	Left Side	0mm	Ant 1	6	2437	15.23	16.50	1.340	100	1.000	0.01	0.008	0.011
	WLAN2.4GHz	802.11b 1Mbps	Right Side	0mm	Ant 1	6	2437	15.23	16.50	1.340	100	1.000	-0.02	0.008	0.011
	WLAN2.4GHz	802.11b 1Mbps	Top Side	0mm	Ant 1	6	2437	15.23	16.50	1.340	100	1.000	-0.05	0.507	0.679
	WLAN2.4GHz	802.11b 1Mbps	Bottom Side	0mm	Ant 1	6	2437	15.23	16.50	1.340	100	1.000	0.03	0.002	0.003
	WLAN2.4GHz	802.11b 1Mbps	Top Side	0mm	Ant 1	1	2412	15.22	16.50	1.343	100	1.000	0.08	0.377	0.506
	WLAN2.4GHz	802.11b 1Mbps	Top Side	0mm	Ant 1	11	2462	15.14	16.50	1.368	100	1.000	0.09	0.397	0.543
	WLAN2.4GHz	802.11b 1Mbps	Front	0mm	Ant 2	6	2437	15.41	16.50	1.285	100	1.000	0.03	0.246	0.316
	WLAN2.4GHz	802.11b 1Mbps	Back	0mm	Ant 2	6	2437	15.41	16.50	1.285	100	1.000	0.05	0.060	0.077
	WLAN2.4GHz	802.11b 1Mbps	Left Side	0mm	Ant 2	6	2437	15.41	16.50	1.285	100	1.000	-0.07	0.011	0.014
	WLAN2.4GHz	802.11b 1Mbps	Right Side	0mm	Ant 2	6	2437	15.41	16.50	1.285	100	1.000	0.03	0.006	0.008
	WLAN2.4GHz	802.11b 1Mbps	Top Side	0mm	Ant 2	6	2437	15.41	16.50	1.285	100	1.000	-0.01	0.517	0.664
	WLAN2.4GHz	802.11b 1Mbps	Bottom Side	0mm	Ant 2	6	2437	15.41	16.50	1.285	100	1.000	0.07	0.001	0.001
	WLAN2.4GHz	802.11b 1Mbps	Top Side	0mm	Ant 2	1	2412	15.32	16.50	1.312	100	1.000	0.09	0.428	0.562
	WLAN2.4GHz	802.11b 1Mbps	Top Side	0mm	Ant 2	11	2462	15.29	16.50	1.321	100	1.000	0.07	0.372	0.492
	WLAN2.4GHz	802.11b 1Mbps	Front	0mm	Ant 1+2	6	2437	18.33	19.50	1.309	100	1.000	0.03	0.491	0.643
	WLAN2.4GHz	802.11b 1Mbps	Back	0mm	Ant 1+2	6	2437	18.33	19.50	1.309	100	1.000	0.04	0.137	0.179
	WLAN2.4GHz	802.11b 1Mbps	Left Side	0mm	Ant 1+2	6	2437	18.33	19.50	1.309	100	1.000	0.08	0.001	0.001
	WLAN2.4GHz	802.11b 1Mbps	Right Side	0mm	Ant 1+2	6	2437	18.33	19.50	1.309	100	1.000	0.04	0.018	0.024
06	WLAN2.4GHz	802.11b 1Mbps	Top Side	0mm	Ant 1+2	6	2437	18.33	19.50	1.309	100	1.000	-0.04	0.867	1.135
	WLAN2.4GHz	802.11b 1Mbps	Bottom Side	0mm	Ant 1+2	6	2437	18.33	19.50	1.309	100	1.000	-0.02	0.001	0.001
	WLAN2.4GHz	802.11b 1Mbps	Top Side	0mm	Ant 1+2	1	2412	18.28	19.50	1.324	100	1.000	0.03	0.738	0.977
	WLAN2.4GHz	802.11b 1Mbps	Top Side	0mm	Ant 1+2	11	2462	18.23	19.50	1.341	100	1.000	0.01	0.688	0.923

<Bluetooth SAR>

Plot No.	Band	Mode	Test Position	Gap (mm)	Antenna	Ch.	Freq. (MHz)	Average Power (dBm)	Tune-Up Limit (dBm)	Tune-up Scaling Factor	Duty Cycle %	Duty Cycle Scaling Factor	Power Drift (dB)	Measured 10g SAR (W/kg)	Reported 10g SAR (W/kg)
	Bluetooth	1Mbps	Front	0mm	Ant 1	78	2480	13.55	14.00	1.109	76.86	1.301	0.02	0.139	0.201
	Bluetooth	1Mbps	Back	0mm	Ant 1	78	2480	13.55	14.00	1.109	76.86	1.301	0.03	0.016	0.023
	Bluetooth	1Mbps	Left Side	0mm	Ant 1	78	2480	13.55	14.00	1.109	76.86	1.301	0.05	0.003	0.004
	Bluetooth	1Mbps	Right Side	0mm	Ant 1	78	2480	13.55	14.00	1.109	76.86	1.301	-0.07	0.004	0.006
	Bluetooth	1Mbps	Top Side	0mm	Ant 1	78	2480	13.55	14.00	1.109	76.86	1.301	0.06	0.182	0.263
	Bluetooth	1Mbps	Bottom Side	0mm	Ant 1	78	2480	13.55	14.00	1.109	76.86	1.301	-0.01	0.001	0.001
	Bluetooth	1Mbps	Top Side	0mm	Ant 1	0	2402	12.93	14.00	1.279	76.86	1.301	0.07	0.152	0.253
07	Bluetooth	1Mbps	Top Side	0mm	Ant 1	39	2441	12.96	14.00	1.271	76.86	1.301	0.03	0.169	0.279



<WLAN5G SAR>

Plot No.	Band	Mode	Test Position	Gap (mm)	Antenna	Ch.	Freq. (MHz)	Average Power (dBm)	Tune-Up Limit (dBm)	Tune-up Scaling Factor	Duty Cycle %	Duty Cycle Scaling Factor	Power Drift (dB)	Measured 10g SAR (W/kg)	Reported 10g SAR (W/kg)
	WLAN5.3GHz	802.11n-HT40 MCS0	Front	0mm	Ant 1	54	5270	17.35	17.50	1.035	96.32	1.038	-0.05	0.299	0.321
	WLAN5.3GHz	802.11n-HT40 MCS0	Back	0mm	Ant 1	54	5270	17.35	17.50	1.035	96.32	1.038	0.06	0.132	0.142
	WLAN5.3GHz	802.11n-HT40 MCS0	Left Side	0mm	Ant 1	54	5270	17.35	17.50	1.035	96.32	1.038	0.01	0.009	0.010
	WLAN5.3GHz	802.11n-HT40 MCS0	Right Side	0mm	Ant 1	54	5270	17.35	17.50	1.035	96.32	1.038	-0.09	0.009	0.010
	WLAN5.3GHz	802.11n-HT40 MCS0	Top Side	0mm	Ant 1	54	5270	17.35	17.50	1.035	96.32	1.038	-0.03	1.670	1.793
	WLAN5.3GHz	802.11n-HT40 MCS0	Bottom Side	0mm	Ant 1	54	5270	17.35	17.50	1.035	96.32	1.038	0.02	0.009	0.010
	WLAN5.3GHz	802.11n-HT40 MCS0	Top Side	0mm	Ant 1	62	5310	16.67	17.50	1.210	96.32	1.038	0.01	1.160	1.457
	WLAN5.3GHz	802.11n-HT40 MCS0	Front	0mm	Ant 2	54	5270	17.21	17.50	1.068	96.32	1.038	0.03	0.189	0.210
	WLAN5.3GHz	802.11n-HT40 MCS0	Back	0mm	Ant 2	54	5270	17.21	17.50	1.068	96.32	1.038	0.02	0.045	0.050
	WLAN5.3GHz	802.11n-HT40 MCS0	Left Side	0mm	Ant 2	54	5270	17.21	17.50	1.068	96.32	1.038	-0.04	0.013	0.014
	WLAN5.3GHz	802.11n-HT40 MCS0	Right Side	0mm	Ant 2	54	5270	17.21	17.50	1.068	96.32	1.038	0.08	0.006	0.007
	WLAN5.3GHz	802.11n-HT40 MCS0	Top Side	0mm	Ant 2	54	5270	17.21	17.50	1.068	96.32	1.038	-0.09	0.837	0.928
	WLAN5.3GHz	802.11n-HT40 MCS0	Bottom Side	0mm	Ant 2	54	5270	17.21	17.50	1.068	96.32	1.038	-0.03	0.008	0.009
	WLAN5.3GHz	802.11n-HT40 MCS0	Top Side	0mm	Ant 2	62	5310	16.31	17.50	1.314	96.32	1.038	0.09	0.829	1.131
	WLAN5.3GHz	802.11n-HT40 MCS0	Front	0mm	Ant 1+2	54	5270	20.29	20.50	1.049	96.32	1.038	-0.03	0.349	0.380
	WLAN5.3GHz	802.11n-HT40 MCS0	Back	0mm	Ant 1+2	54	5270	20.29	20.50	1.049	96.32	1.038	0.01	0.150	0.163
	WLAN5.3GHz	802.11n-HT40 MCS0	Left Side	0mm	Ant 1+2	54	5270	20.29	20.50	1.049	96.32	1.038	0.09	0.023	0.025
	WLAN5.3GHz	802.11n-HT40 MCS0	Right Side	0mm	Ant 1+2	54	5270	20.29	20.50	1.049	96.32	1.038	0.05	0.026	0.028
	WLAN5.3GHz	802.11n-HT40 MCS0	Top Side	0mm	Ant 1+2	54	5270	20.29	20.50	1.049	96.32	1.038	-0.06	1.690	1.840
	WLAN5.3GHz	802.11n-HT40 MCS0	Bottom Side	0mm	Ant 1+2	54	5270	20.29	20.50	1.049	96.32	1.038	-0.02	0.007	0.008
08	WLAN5.3GHz	802.11n-HT40 MCS0	Top Side	0mm	Ant 1+2	62	5310	19.51	20.50	1.257	96.32	1.038	-0.06	1.470	1.918
	WLAN5.5GHz	802.11ac-VHT80 MCS0	Front	0mm	Ant 1	138	5690	14.50	15.00	1.122	92.49	1.081	0.02	0.160	0.194
	WLAN5.5GHz	802.11ac-VHT80 MCS0	Back	0mm	Ant 1	138	5690	14.50	15.00	1.122	92.49	1.081	0.03	0.064	0.078
	WLAN5.5GHz	802.11ac-VHT80 MCS0	Left Side	0mm	Ant 1	138	5690	14.50	15.00	1.122	92.49	1.081	-0.01	0.011	0.013
	WLAN5.5GHz	802.11ac-VHT80 MCS0	Right Side	0mm	Ant 1	138	5690	14.50	15.00	1.122	92.49	1.081	0.05	0.015	0.018
	WLAN5.5GHz	802.11ac-VHT80 MCS0	Top Side	0mm	Ant 1	138	5690	14.50	15.00	1.122	92.49	1.081	0.03	0.616	0.747
	WLAN5.5GHz	802.11ac-VHT80 MCS0	Bottom Side	0mm	Ant 1	138	5690	14.50	15.00	1.122	92.49	1.081	0.07	0.021	0.025
	WLAN5.5GHz	802.11ac-VHT80 MCS0	Top Side	0mm	Ant 1	122	5610	14.42	15.00	1.143	92.49	1.081	0.09	0.554	0.685
	WLAN5.5GHz	802.11ac-VHT80 MCS0	Top Side	0mm	Ant 1	106	5530	14.33	15.00	1.167	92.49	1.081	0.03	0.546	0.689
	WLAN5.5GHz	802.11ac-VHT80 MCS0	Front	0mm	Ant 2	138	5690	13.99	15.00	1.262	92.49	1.081	0.09	0.336	0.458
	WLAN5.5GHz	802.11ac-VHT80 MCS0	Back	0mm	Ant 2	138	5690	13.99	15.00	1.262	92.49	1.081	0.01	0.076	0.104
	WLAN5.5GHz	802.11ac-VHT80 MCS0	Left Side	0mm	Ant 2	138	5690	13.99	15.00	1.262	92.49	1.081	0.08	0.016	0.022
	WLAN5.5GHz	802.11ac-VHT80 MCS0	Right Side	0mm	Ant 2	138	5690	13.99	15.00	1.262	92.49	1.081	-0.05	0.019	0.026
09	WLAN5.5GHz	802.11ac-VHT80 MCS0	Top Side	0mm	Ant 2	138	5690	13.99	15.00	1.262	92.49	1.081	0.06	1.450	1.978
	WLAN5.5GHz	802.11ac-VHT80 MCS0	Bottom Side	0mm	Ant 2	138	5690	13.99	15.00	1.262	92.49	1.081	0.02	0.012	0.016
	WLAN5.5GHz	802.11ac-VHT80 MCS0	Top Side	0mm	Ant 2	106	5530	13.87	15.00	1.297	92.49	1.081	-0.05	1.110	1.557
	WLAN5.5GHz	802.11ac-VHT80 MCS0	Top Side	0mm	Ant 2	122	5610	13.93	15.00	1.280	92.49	1.081	-0.01	1.220	1.688
	WLAN5.5GHz	802.11ac-VHT80 MCS0	Front	0mm	Ant 1+2	138	5690	17.26	18.00	1.185	92.49	1.081	0.08	0.605	0.775
	WLAN5.5GHz	802.11ac-VHT80 MCS0	Back	0mm	Ant 1+2	138	5690	17.26	18.00	1.185	92.49	1.081	0.09	0.128	0.164
	WLAN5.5GHz	802.11ac-VHT80 MCS0	Left Side	0mm	Ant 1+2	138	5690	17.26	18.00	1.185	92.49	1.081	0.01	0.035	0.045
	WLAN5.5GHz	802.11ac-VHT80 MCS0	Right Side	0mm	Ant 1+2	138	5690	17.26	18.00	1.185	92.49	1.081	0.05	0.035	0.045
	WLAN5.5GHz	802.11ac-VHT80 MCS0	Top Side	0mm	Ant 1+2	138	5690	17.26	18.00	1.185	92.49	1.081	0.09	1.470	1.883
	WLAN5.5GHz	802.11ac-VHT80 MCS0	Bottom Side	0mm	Ant 1+2	138	5690	17.26	18.00	1.185	92.49	1.081	0.06	0.026	0.033
	WLAN5.5GHz	802.11ac-VHT80 MCS0	Top Side	0mm	Ant 1+2	106	5530	17.12	18.00	1.226	92.49	1.081	0.01	1.410	1.868
	WLAN5.5GHz	802.11ac-VHT80 MCS0	Top Side	0mm	Ant 1+2	122	5610	17.19	18.00	1.205	92.49	1.081	-0.08	1.380	1.797
	WLAN5.8GHz	802.11a 6Mbps	Front	0mm	Ant 1	157	5785	12.67	13.50	1.212	98.28	1.018	0.05	0.089	0.110
	WLAN5.8GHz	802.11a 6Mbps	Back	0mm	Ant 1	157	5785	12.67	13.50	1.212	98.28	1.018	0.05	0.052	0.064
	WLAN5.8GHz	802.11a 6Mbps	Left Side	0mm	Ant 1	157	5785	12.67	13.50	1.212	98.28	1.018	-0.09	0.002	0.002
	WLAN5.8GHz	802.11a 6Mbps	Right Side	0mm	Ant 1	157	5785	12.67	13.50	1.212	98.28	1.018	0.03	0.011	0.014
	WLAN5.8GHz	802.11a 6Mbps	Top Side	0mm	Ant 1	157	5785	12.67	13.50	1.212	98.28	1.018	0.01	0.585	0.722
	WLAN5.8GHz	802.11a 6Mbps	Bottom Side	0mm	Ant 1	157	5785	12.67	13.50	1.212	98.28	1.018	0.07	0.006	0.007



	WLAN5.8GHz	802.11a 6Mbps	Top Side	0mm	Ant 1	149	5745	12.59	13.50	1.234	98.28	1.018	-0.07	0.620	0.779
	WLAN5.8GHz	802.11a 6Mbps	Top Side	0mm	Ant 1	165	5825	12.25	13.50	1.335	98.28	1.018	0.01	0.509	0.692
	WLAN5.8GHz	802.11a 6Mbps	Front	0mm	Ant 2	157	5785	12.74	13.50	1.192	98.28	1.018	-0.07	0.095	0.115
	WLAN5.8GHz	802.11a 6Mbps	Back	0mm	Ant 2	157	5785	12.74	13.50	1.192	98.28	1.018	-0.04	0.024	0.029
	WLAN5.8GHz	802.11a 6Mbps	Left Side	0mm	Ant 2	157	5785	12.74	13.50	1.192	98.28	1.018	0.05	0.013	0.016
	WLAN5.8GHz	802.11a 6Mbps	Right Side	0mm	Ant 2	157	5785	12.74	13.50	1.192	98.28	1.018	-0.01	0.014	0.017
	WLAN5.8GHz	802.11a 6Mbps	Top Side	0mm	Ant 2	157	5785	12.74	13.50	1.192	98.28	1.018	-0.04	1.480	1.797
	WLAN5.8GHz	802.11a 6Mbps	Bottom Side	0mm	Ant 2	157	5785	12.74	13.50	1.192	98.28	1.018	-0.01	0.001	0.001
	WLAN5.8GHz	802.11a 6Mbps	Top Side	0mm	Ant 2	149	5745	12.50	13.50	1.260	98.28	1.018	0.01	1.210	1.552
	WLAN5.8GHz	802.11a 6Mbps	Top Side	0mm	Ant 2	165	5825	12.40	13.50	1.290	98.28	1.018	0.01	1.170	1.536
	WLAN5.8GHz	802.11a 6Mbps	Front	0mm	Ant 1+2	157	5785	15.71	16.50	1.199	98.28	1.018	-0.07	0.453	0.553
	WLAN5.8GHz	802.11a 6Mbps	Back	0mm	Ant 1+2	157	5785	15.71	16.50	1.199	98.28	1.018	-0.04	0.097	0.118
	WLAN5.8GHz	802.11a 6Mbps	Left Side	0mm	Ant 1+2	157	5785	15.71	16.50	1.199	98.28	1.018	0.05	0.013	0.016
	WLAN5.8GHz	802.11a 6Mbps	Right Side	0mm	Ant 1+2	157	5785	15.71	16.50	1.199	98.28	1.018	-0.01	0.022	0.027
10	WLAN5.8GHz	802.11a 6Mbps	Top Side	0mm	Ant 1+2	157	5785	15.71	16.50	1.199	98.28	1.018	0.01	1.530	1.868
	WLAN5.8GHz	802.11a 6Mbps	Bottom Side	0mm	Ant 1+2	157	5785	15.71	16.50	1.199	98.28	1.018	-0.01	0.009	0.011
	WLAN5.8GHz	802.11a 6Mbps	Top Side	0mm	Ant 1+2	149	5745	15.55	16.50	1.244	98.28	1.018	0.03	1.320	1.672
	WLAN5.8GHz	802.11a 6Mbps	Top Side	0mm	Ant 1+2	165	5825	15.33	16.50	1.309	98.28	1.018	0.01	1.260	1.679

14.3 Repeated SAR Measurement

<1g>

No.	Band	Mode	Test Position	Gap (mm)	Antenna	Ch.	Freq. (MHz)	Average Power (dBm)	Tune-Up Limit (dBm)	Tune-up Scaling Factor	Duty Cycle %	Duty Cycle Scaling Factor	Power Drift (dB)	Measured 1g SAR (W/kg)	Ratio	Reported 1g SAR (W/kg)
1st	WLAN5.3GHz	802.11n-HT40 MCS0	Top Side	10mm	Ant 1+2	54	5270	20.29	20.50	1.049	96.32	1.038	-0.01	1.050	1	1.143
2nd	WLAN5.3GHz	802.11n-HT40 MCS0	Top Side	10mm	Ant 1+2	54	5270	20.29	20.50	1.049	96.32	1.038	0.03	0.980	1.071	1.067
1st	WLAN5.5GHz	802.11ac-VHT80 MCS0	Top Side	10mm	Ant 1+2	138	5690	17.26	18.00	1.185	92.49	1.081	-0.01	0.931	1	1.193
2nd	WLAN5.5GHz	802.11ac-VHT80 MCS0	Top Side	10mm	Ant 1+2	138	5690	17.26	18.00	1.185	92.49	1.081	0.09	0.923	1.009	1.183
1st	WLAN5.8GHz	802.11a 6Mbps	Top Side	10mm	Ant 2	149	5745	12.50	13.50	1.260	98.28	1.018	-0.08	0.843	1	1.081
2nd	WLAN5.8GHz	802.11a 6Mbps	Top Side	10mm	Ant 2	149	5745	12.50	13.50	1.260	98.28	1.018	0.01	0.838	1.006	1.075

General Note:

1. Per KDB 865664 D01v01r04, for each frequency band, repeated SAR measurement is required only when the measured SAR is $\geq 0.8W/kg$.
2. Per KDB 865664 D01v01r04, if the ratio among the repeated measurement is ≤ 1.2 and the measured SAR $< 1.45W/kg$, only one repeated measurement is required.
3. The ratio is the difference in percentage between original and repeated *measured SAR*.
4. All measurement SAR result is scaled-up to account for tune-up tolerance and is compliant.

15. Simultaneous Transmission Analysis

NO.	Simultaneous Transmission Configurations	Gaming tablet computer	
		Body	Extremity
1.	WLAN5GHz + Bluetooth	Yes	Yes

General Note:

1. EUT will choose either 2.4GHz WLAN or 5GHz WLAN according to the network signal condition; therefore, 2.4GHz WLAN and 5GHz WLAN will not operate simultaneously at any moment.
2. According to the EUT character, WLAN 2.4GHz and Bluetooth can't transmit simultaneously.
3. According to the EUT character, WLAN 5GHz and Bluetooth can transmit simultaneously.
4. The worst case 5 GHz WLAN SAR for each configuration was used for SAR summation.
5. The reported SAR summation is calculated based on the same configuration and test position.
6. Per KDB 447498 D01v06, simultaneous transmission SAR is compliant if,
 - i) 1g Scalar SAR summation < 1.6W/kg and 10g Scalar SAR summation < 4.0W/kg.
 - ii) $SPLSR = (SAR1 + SAR2)^{1.5} / (\text{min. separation distance, mm})$, and the peak separation distance is determined from the square root of $[(x1-x2)^2 + (y1-y2)^2 + (z1-z2)^2]$, where (x1, y1, z1) and (x2, y2, z2) are the coordinates of the extrapolated peak SAR locations in the zoom scan.
 - iii) If $SPLSR \leq 0.04$ for 1g SAR and $SPLSR \leq 0.10$ for 10g SAR, simultaneously transmission SAR measurement is not necessary.
 - iv) Simultaneously transmission SAR measurement, and the reported multi-band 1g SAR < 1.6W/kg and 10g SAR < 4.0W/kg.

15.1 Body Exposure Conditions

Exposure Position	4	5	6	7	4+7 Summed 1g SAR (W/kg)	5+7 Summed 1g SAR (W/kg)	6+7 Summed 1g SAR (W/kg)
	5GHz WLAN Ant 1	5GHz WLAN Ant 2	5GHz WLAN Ant 1+2	Bluetooth			
	1g SAR (W/kg)	1g SAR (W/kg)	1g SAR (W/kg)	1g SAR (W/kg)			
Front at 10mm	0.393	0.471	0.438	0.035	0.43	0.51	0.47
Back at 10mm	0.352	0.292	0.349	0.004	0.36	0.30	0.35
Left Side at 10mm	0.090	0.063	0.087	0.003	0.09	0.07	0.09
Right Side at 10mm	0.049	0.064	0.099	0.001	0.05	0.07	0.10
Top Side at 10mm	1.106	1.172	1.193	0.105	1.21	1.28	1.30
Bottom Side at 10mm	0.093	0.146	0.099	0.001	0.09	0.15	0.10

15.2 Extremity Exposure Conditions

Exposure Position	4	5	6	7	4+7 Summed 10g SAR (W/kg)	5+7 Summed 10g SAR (W/kg)	6+7 Summed 10g SAR (W/kg)
	5GHz WLAN Ant 1	5GHz WLAN Ant 2	5GHz WLAN Ant 1+2	Bluetooth			
	10g SAR (W/kg)	10g SAR (W/kg)	10g SAR (W/kg)	10g SAR (W/kg)			
Front at 0mm	0.321	0.458	0.775	0.201	0.52	0.66	0.98
Back at 0mm	0.142	0.104	0.164	0.023	0.17	0.13	0.19
Left Side at 0mm	0.013	0.022	0.045	0.004	0.02	0.03	0.05
Right Side at 0mm	0.018	0.026	0.045	0.006	0.02	0.03	0.05
Top Side at 0mm	1.793	1.978	1.918	0.279	2.07	2.26	2.20
Bottom Side at 0mm	0.025	0.016	0.033	0.001	0.03	0.02	0.03

Test Engineer : Nick Hu, Hank Chang, Yuankai Kong



16. Uncertainty Assessment

Per KDB 865664 D01 SAR measurement 100MHz to 6GHz, when the highest measured 1-g SAR within a frequency band is < 1.5 W/kg and the measured 10-g SAR within a frequency band is < 3.75 W/kg. The expanded SAR measurement uncertainty must be $\leq 30\%$, for a confidence interval of $k = 2$. If these conditions are met, extensive SAR measurement uncertainty analysis described in IEEE Std 1528-2013 is not required in SAR reports submitted for equipment approval. For this device, the highest measured 1-g SAR is less 1.5W/kg. Therefore, the measurement uncertainty table is not required in this report.



17. References

- [1] FCC 47 CFR Part 2 “Frequency Allocations and Radio Treaty Matters; General Rules and Regulations”
- [2] ANSI/IEEE Std. C95.1-1992, “IEEE Standard for Safety Levels with Respect to Human Exposure to Radio Frequency Electromagnetic Fields, 3 kHz to 300 GHz”, September 1992
- [3] IEEE Std. 1528-2013, “IEEE Recommended Practice for Determining the Peak Spatial-Average Specific Absorption Rate (SAR) in the Human Head from Wireless Communications Devices: Measurement Techniques”, Sep 2013
- [4] SPEAG DASY System Handbook
- [5] FCC KDB 865664 D01 v01r04, "SAR Measurement Requirements for 100 MHz to 6 GHz", Aug 2015.
- [6] FCC KDB 865664 D02 v01r02, “RF Exposure Compliance Reporting and Documentation Considerations” Oct 2015.
- [7] FCC KDB 447498 D01 v06, “Mobile and Portable Device RF Exposure Procedures and Equipment Authorization Policies”, Oct 2015
- [8] FCC KDB 248227 D01 v02r02, “SAR Guidance for IEEE 802.11 (WiFi) Transmitters”, Oct 2015.
- [9] FCC KDB 941225 D07 v01r02, " SAR Evaluation Procedures for UMPC Mini-Tablet Devices", Oct 2015.

-----THE END-----



Appendix A. Plots of System Performance Check

The plots are shown as follows.

System Check_Head_2450MHz

DUT: D2450V2 - SN:908

Communication System: UID 0, CW (0); Frequency: 2450 MHz; Duty Cycle: 1:1

Medium: HSL_2450 Medium parameters used: $f = 2450$ MHz; $\sigma = 1.714$ S/m; $\epsilon_r = 38.213$; $\rho = 1000$ kg/m³

Ambient Temperature : 23.1 °C; Liquid Temperature : 22.8 °C

DASY5 Configuration:

- Probe: EX3DV4 - SN7592; ConvF(7.57, 7.57, 7.57); Calibrated: 2020.5.22
- Sensor-Surface: 1.4mm (Mechanical Surface Detection)
- Electronics: DAE4 Sn1358; Calibrated: 2020.4.28
- Phantom: SAM3; Type:ELI4 ; Serial: TP-1079
- Measurement SW: DASY52, Version 52.10 (4); SEMCAD X Version 14.6.14 (7483)

Pin=250mW/Area Scan (71x71x1): Interpolated grid: dx=1.200 mm, dy=1.200 mm

Maximum value of SAR (interpolated) = 18.1 W/kg

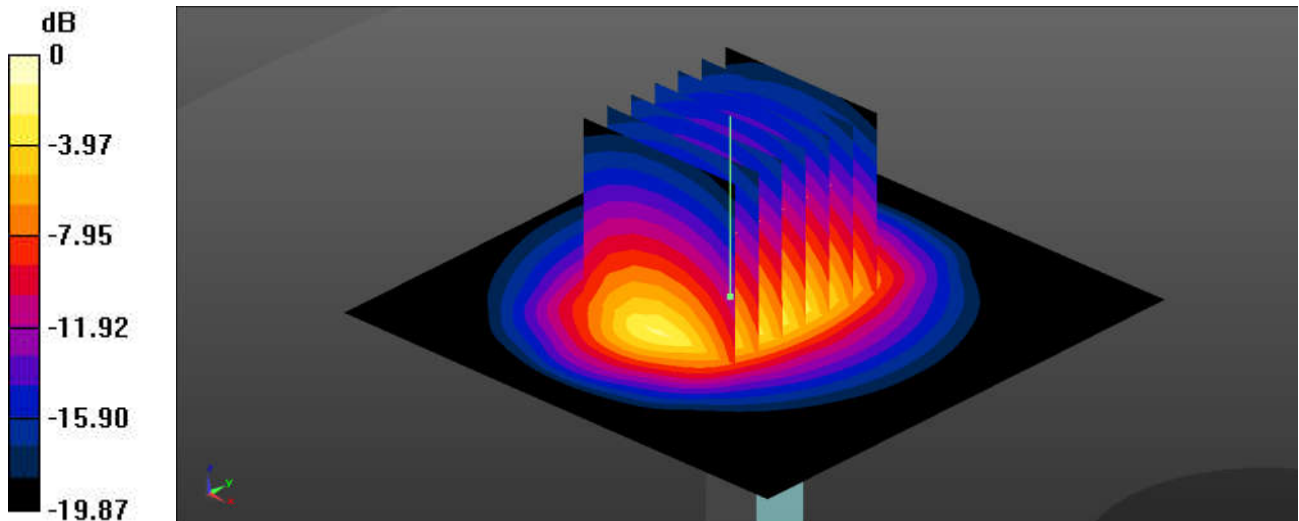
Pin=250mW/Zoom Scan (7x7x7)/Cube 0: Measurement grid: dx=5mm, dy=5mm, dz=5mm

Reference Value = 89.01 V/m; Power Drift = 0.01 dB

Peak SAR (extrapolated) = 25.7 W/kg

SAR(1 g) = 13.1 W/kg; SAR(10 g) = 6.33 W/kg

Maximum value of SAR (measured) = 17.1 W/kg



0 dB = 17.1 W/kg = 12.33 dBW/kg

System Check_Head_5250MHz

DUT: D5GHzV2 - SN:1113

Communication System: UID 0, CW (0); Frequency: 5250 MHz; Duty Cycle: 1:1

Medium: HSL_5000 Medium parameters used: $f = 5250$ MHz; $\sigma = 4.639$ S/m; $\epsilon_r = 36.202$; $\rho = 1000$ kg/m³

Ambient Temperature : 23.3 °C; Liquid Temperature : 22.7 °C

DASY5 Configuration:

- Probe: EX3DV4 - SN7592; ConvF(5.24, 5.24, 5.24); Calibrated: 2020.5.22
- Sensor-Surface: 1.4mm (Mechanical Surface Detection)
- Electronics: DAE4 Sn1358; Calibrated: 2020.4.28
- Phantom: SAM3; Type:ELI4 ; Serial: TP-1079
- Measurement SW: DASY52, Version 52.10 (4); SEMCAD X Version 14.6.14 (7483)

Pin=100mW/Area Scan (71x71x1): Interpolated grid: dx=1.000 mm, dy=1.000 mm

Maximum value of SAR (interpolated) = 19.4 W/kg

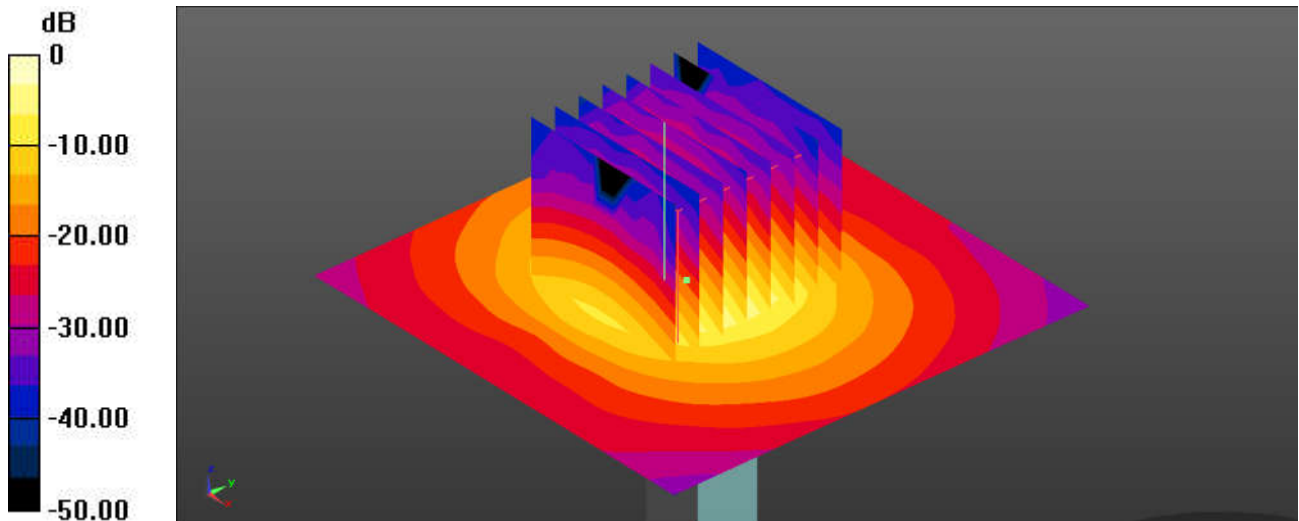
Pin=100mW/Zoom Scan (8x8x7)/Cube 0: Measurement grid: dx=4mm, dy=4mm, dz=1.4mm

Reference Value = 42.83 V/m; Power Drift = 0.02 dB

Peak SAR (extrapolated) = 32.4 W/kg

SAR(1 g) = 8.07 W/kg; SAR(10 g) = 2.3 W/kg

Maximum value of SAR (measured) = 19.0 W/kg



0 dB = 19.0 W/kg = 12.79 dBW/kg

System Check_Head_5600MHz

DUT: D5GHzV2 - SN:1113

Communication System: UID 0, CW (0); Frequency: 5600 MHz; Duty Cycle: 1:1

Medium: HSL_5000 Medium parameters used: $f = 5600$ MHz; $\sigma = 4.985$ S/m; $\epsilon_r = 35.576$; $\rho = 1000$ kg/m³

Ambient Temperature : 23.2 °C; Liquid Temperature : 22.6 °C

DASY5 Configuration:

- Probe: EX3DV4 - SN7592; ConvF(4.65, 4.65, 4.65); Calibrated: 2020.5.22
- Sensor-Surface: 1.4mm (Mechanical Surface Detection)
- Electronics: DAE4 Sn1358; Calibrated: 2020.4.28
- Phantom: SAM3; Type:ELI4 ; Serial: TP-1079
- Measurement SW: DASY52, Version 52.10 (4); SEMCAD X Version 14.6.14 (7483)

Pin=100mW/Area Scan (71x71x1): Interpolated grid: dx=1.000 mm, dy=1.000 mm

Maximum value of SAR (interpolated) = 19.3 W/kg

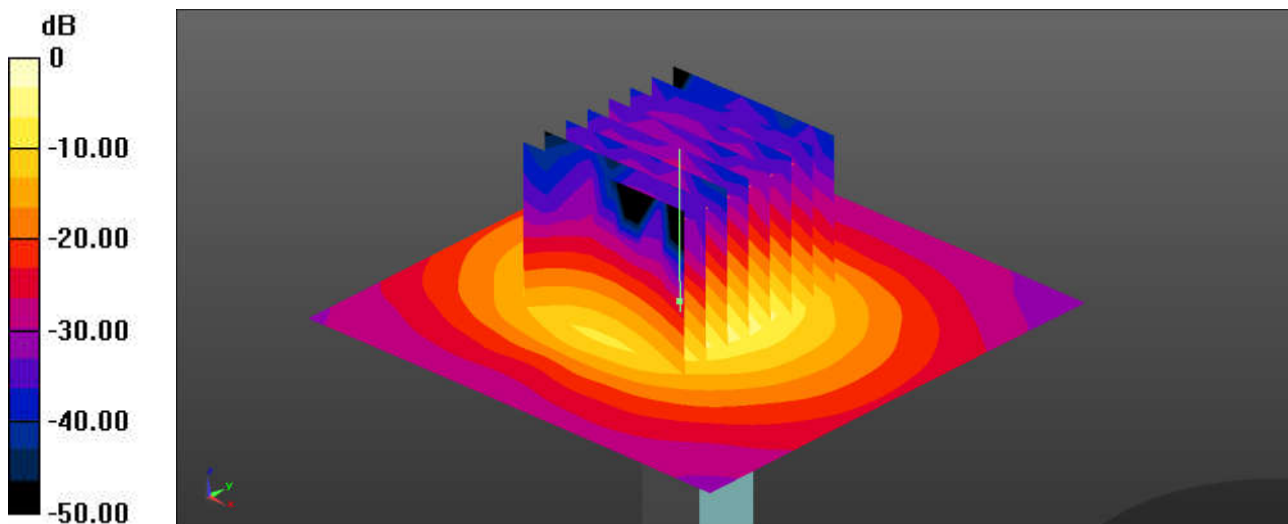
Pin=100mW/Zoom Scan (8x8x7)/Cube 0: Measurement grid: dx=4mm, dy=4mm, dz=1.4mm

Reference Value = 41.03 V/m; Power Drift = 0.07 dB

Peak SAR (extrapolated) = 32.0 W/kg

SAR(1 g) = 7.86 W/kg; SAR(10 g) = 2.25 W/kg

Maximum value of SAR (measured) = 18.3 W/kg



0 dB = 18.3 W/kg = 12.62 dBW/kg

System Check_Head_5750MHz

DUT: D5GHzV2 - SN:1113

Communication System: UID 0, CW (0); Frequency: 5750 MHz; Duty Cycle: 1:1

Medium: HSL_5000 Medium parameters used: $f = 5750$ MHz; $\sigma = 5.219$ S/m; $\epsilon_r = 35.281$; $\rho = 1000$ kg/m³

Ambient Temperature : 23.1 °C; Liquid Temperature : 22.6 °C

DASY5 Configuration:

- Probe: EX3DV4 - SN7592; ConvF(4.69, 4.69, 4.69); Calibrated: 2020.5.22
- Sensor-Surface: 1.4mm (Mechanical Surface Detection)
- Electronics: DAE4 Sn1358; Calibrated: 2020.4.28
- Phantom: SAM3; Type:ELI4 ; Serial: TP-1079
- Measurement SW: DASY52, Version 52.10 (4); SEMCAD X Version 14.6.14 (7483)

Pin=100mW/Area Scan (71x71x1): Interpolated grid: dx=1.000 mm, dy=1.000 mm

Maximum value of SAR (interpolated) = 18.0 W/kg

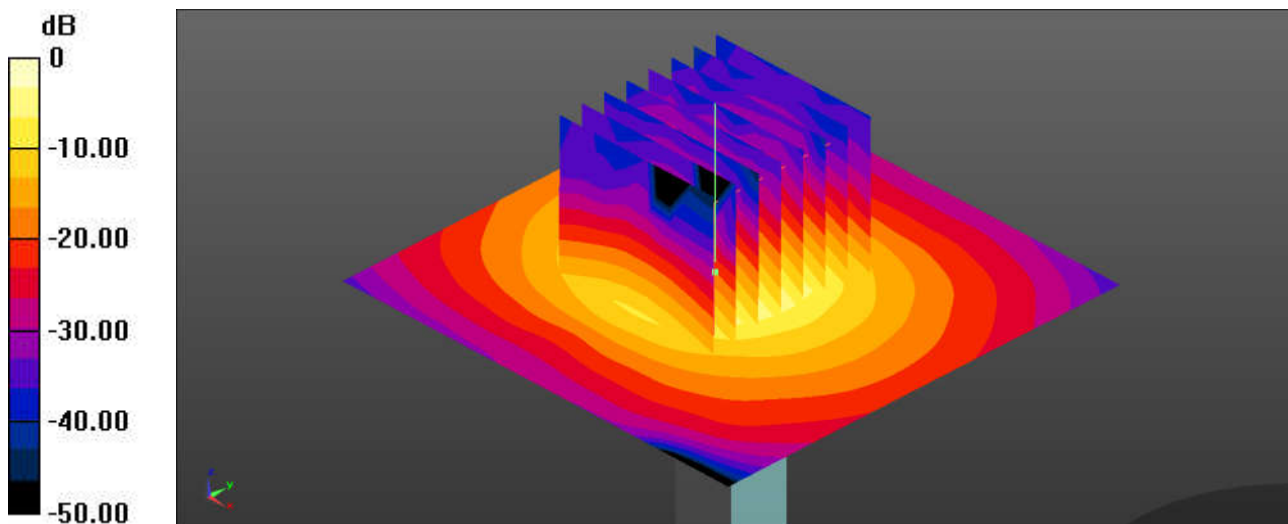
Pin=100mW/Zoom Scan (8x8x7)/Cube 0: Measurement grid: dx=4mm, dy=4mm, dz=1.4mm

Reference Value = 38.00 V/m; Power Drift = 0.08 dB

Peak SAR (extrapolated) = 31.2 W/kg

SAR(1 g) = 7.36 W/kg; SAR(10 g) = 2.1 W/kg

Maximum value of SAR (measured) = 17.3 W/kg



0 dB = 17.3 W/kg = 12.38 dBW/kg

System Check_Head_2450MHz

DUT: D2450V2 - SN:908

Communication System: UID 0, CW (0); Frequency: 2450 MHz; Duty Cycle: 1:1

Medium: HSL_2450 Medium parameters used: $f = 2450$ MHz; $\sigma = 1.781$ S/m; $\epsilon_r = 40.614$; $\rho = 1000$ kg/m³

Ambient Temperature : 23.3 °C; Liquid Temperature : 22.9 °C

DASY5 Configuration:

- Probe: EX3DV4 - SN7592; ConvF(7.57, 7.57, 7.57); Calibrated: 2020.5.22
- Sensor-Surface: 1.4mm (Mechanical Surface Detection)
- Electronics: DAE4 Sn1358; Calibrated: 2020.4.28
- Phantom: SAM3; Type:ELI4 ; Serial: TP-1079
- Measurement SW: DASY52, Version 52.10 (4); SEMCAD X Version 14.6.14 (7483)

Pin=250mW/Area Scan (71x71x1): Interpolated grid: dx=1.200 mm, dy=1.200 mm

Maximum value of SAR (interpolated) = 20.4 W/kg

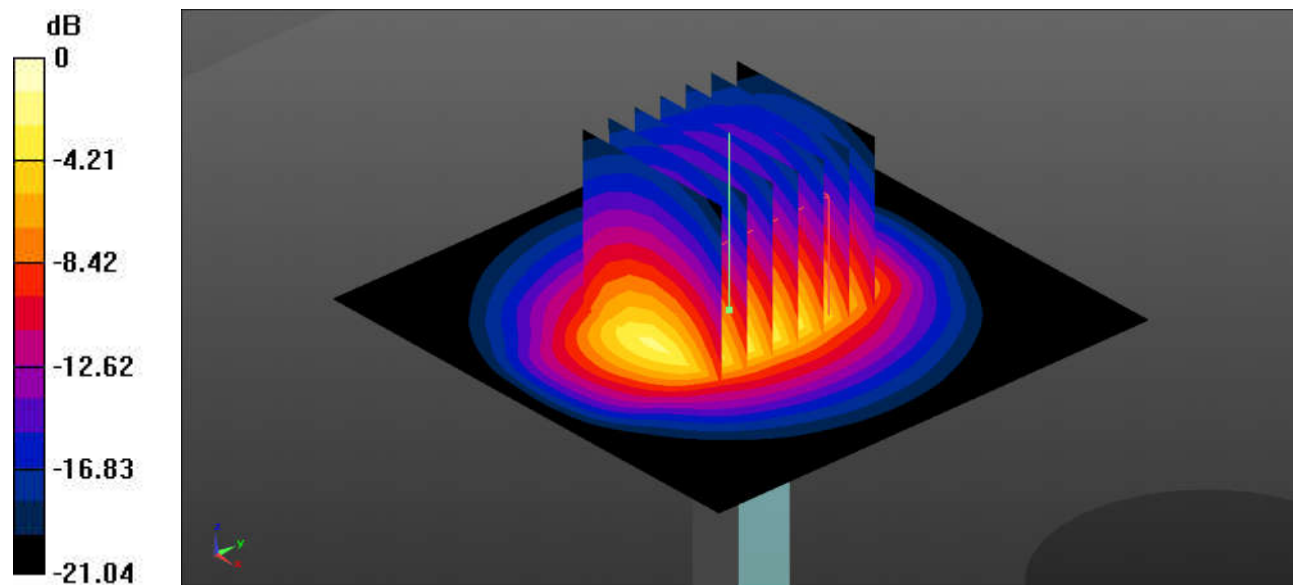
Pin=250mW/Zoom Scan (7x7x7)/Cube 0: Measurement grid: dx=5mm, dy=5mm,dz=5mm

Reference Value = 109.9 V/m; Power Drift = -0.07 dB

Peak SAR (extrapolated) = 24.5 W/kg

SAR(1 g) = 12 W/kg; SAR(10 g) = 5.65 W/kg

Maximum value of SAR (measured) = 19.7 W/kg



0 dB = 19.7 W/kg = 12.94 dBW/kg

System Check_Head_5250MHz

DUT: D5GHzV2 - SN:1113

Communication System: UID 0, CW (0); Frequency: 5250 MHz; Duty Cycle: 1:1

Medium: HSL_5000 Medium parameters used: $f = 5250$ MHz; $\sigma = 4.694$ S/m; $\epsilon_r = 35.722$; $\rho = 1000$ kg/m³

Ambient Temperature : 23.3 °C; Liquid Temperature : 22.6 °C

DASY5 Configuration:

- Probe: EX3DV4 - SN7592; ConvF(5.24, 5.24, 5.24); Calibrated: 2020.5.22
- Sensor-Surface: 1.4mm (Mechanical Surface Detection)
- Electronics: DAE4 Sn1358; Calibrated: 2020.4.28
- Phantom: SAM3; Type:ELI4; Serial: TP-1079
- Measurement SW: DASY52, Version 52.10 (4); SEMCAD X Version 14.6.14 (7483)

Pin=100mW/Area Scan (71x71x1): Interpolated grid: dx=1.000 mm, dy=1.000 mm

Maximum value of SAR (interpolated) = 17.7 W/kg

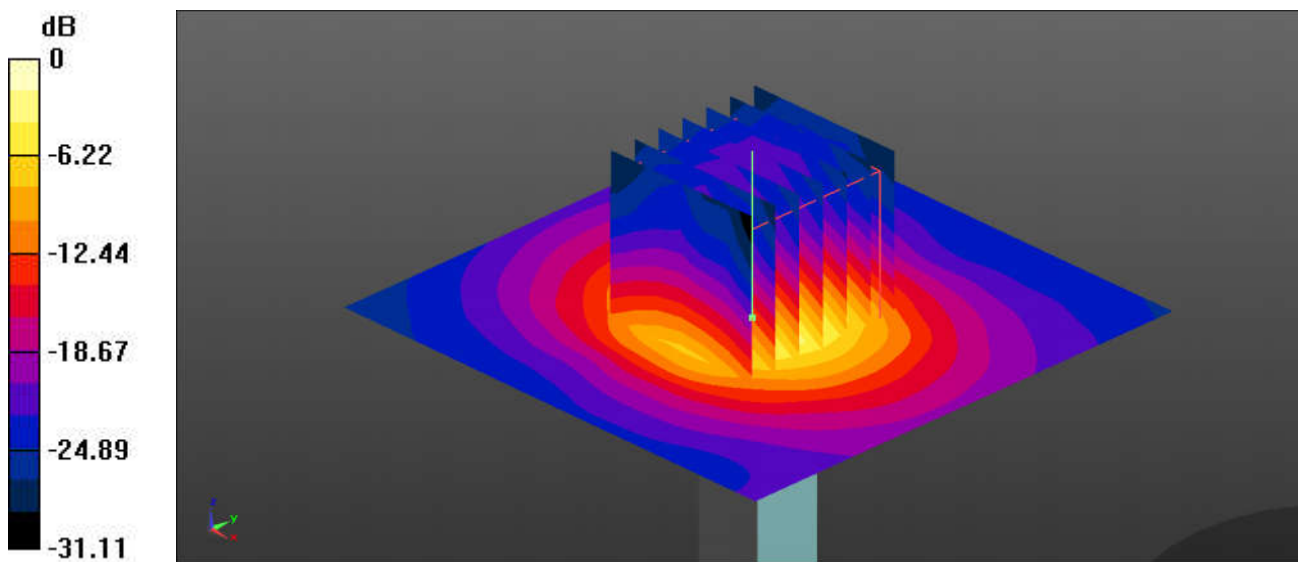
Pin=100mW/Zoom Scan (7x7x7)/Cube 0: Measurement grid: dx=4mm, dy=4mm, dz=1.4mm

Reference Value = 67.81 V/m; Power Drift = -0.03 dB

Peak SAR (extrapolated) = 29.1 W/kg

SAR(1 g) = 7.74 W/kg; SAR(10 g) = 2.26 W/kg

Maximum value of SAR (measured) = 19.0 W/kg



0 dB = 19.0 W/kg = 12.79 dBW/kg

System Check_Head_5600MHz

DUT: D5GHzV2 - SN:1113

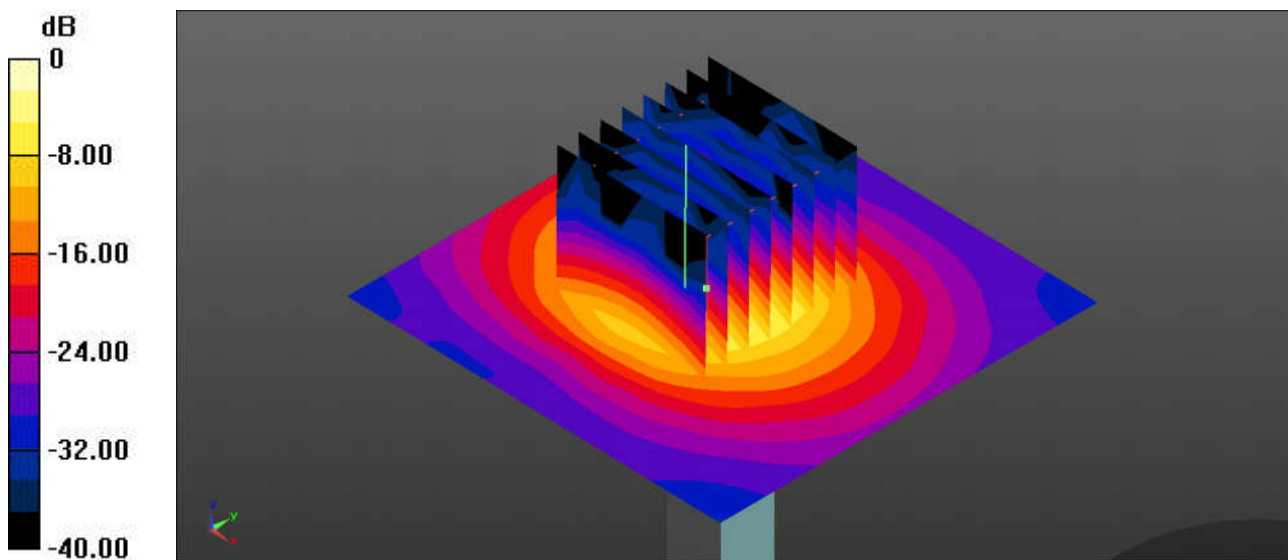
Communication System: UID 0, CW (0); Frequency: 5600 MHz; Duty Cycle: 1:1
Medium: HSL_5000 Medium parameters used: $f = 5600$ MHz; $\sigma = 5.107$ S/m; $\epsilon_r = 35.09$; $\rho = 1000$ kg/m³
Ambient Temperature : 23.3 °C; Liquid Temperature : 22.9 °C

DASY5 Configuration:

- Probe: EX3DV4 - SN7592; ConvF(4.65, 4.65, 4.65); Calibrated: 2020.5.22
- Sensor-Surface: 1.4mm (Mechanical Surface Detection)
- Electronics: DAE4 Sn1358; Calibrated: 2020.4.28
- Phantom: SAM3; Type:ELI4 ; Serial: TP-1079
- Measurement SW: DASY52, Version 52.10 (4); SEMCAD X Version 14.6.14 (7483)

Pin=100mW/Area Scan (71x71x1): Interpolated grid: dx=1.000 mm, dy=1.000 mm
Maximum value of SAR (interpolated) = 19.9 W/kg

Pin=100mW/Zoom Scan (8x8x7)/Cube 0: Measurement grid: dx=4mm, dy=4mm, dz=1.4mm
Reference Value = 39.10 V/m; Power Drift = 0.03 dB
Peak SAR (extrapolated) = 34.4 W/kg
SAR(1 g) = 7.77 W/kg; SAR(10 g) = 2.18 W/kg
Maximum value of SAR (measured) = 18.6 W/kg



0 dB = 18.6 W/kg = 12.70 dBW/kg

System Check_Head_5750MHz

DUT: D5GHzV2 - SN:1113

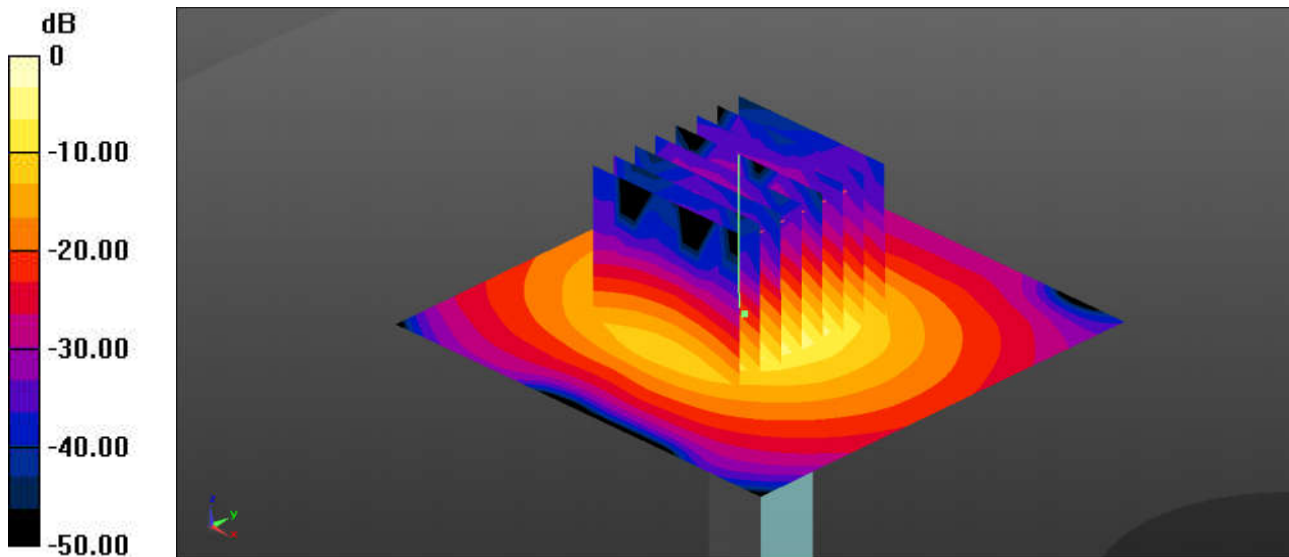
Communication System: UID 0, CW (0); Frequency: 5750 MHz; Duty Cycle: 1:1
Medium: HSL_5000 Medium parameters used: $f = 5750$ MHz; $\sigma = 5.278$ S/m; $\epsilon_r = 34.805$; $\rho = 1000$ kg/m³
Ambient Temperature : 23.4 °C; Liquid Temperature : 22.8 °C

DASY5 Configuration:

- Probe: EX3DV4 - SN7592; ConvF(4.69, 4.69, 4.69); Calibrated: 2020.5.22
- Sensor-Surface: 1.4mm (Mechanical Surface Detection)
- Electronics: DAE4 Sn1358; Calibrated: 2020.4.28
- Phantom: SAM3; Type:ELI4 ; Serial: TP-1079
- Measurement SW: DASY52, Version 52.10 (4); SEMCAD X Version 14.6.14 (7483)

Pin=100mW/Area Scan (71x71x1): Interpolated grid: dx=1.000 mm, dy=1.000 mm
Maximum value of SAR (interpolated) = 19.4 W/kg

Pin=100mW/Zoom Scan (8x8x7)/Cube 0: Measurement grid: dx=4mm, dy=4mm, dz=1.4mm
Reference Value = 38.15 V/m; Power Drift = 0.06 dB
Peak SAR (extrapolated) = 36.1 W/kg
SAR(1 g) = 7.82 W/kg; SAR(10 g) = 2.19 W/kg
Maximum value of SAR (measured) = 19.5 W/kg



0 dB = 19.5 W/kg = 12.90 dBW/kg



Appendix B. Plots of SAR Measurement

The plots are shown as follows.

01_WLAN2.4GHz_802.11b 1Mbps_Top Side_10mm_Ant1+2_Ch1

Communication System: UID 0, 802.11b (0); Frequency: 2412 MHz; Duty Cycle: 1:1
Medium: HSL_2450 Medium parameters used: $f = 2412$ MHz; $\sigma = 1.69$ S/m; $\epsilon_r = 38.249$; $\rho = 1000$ kg/m³

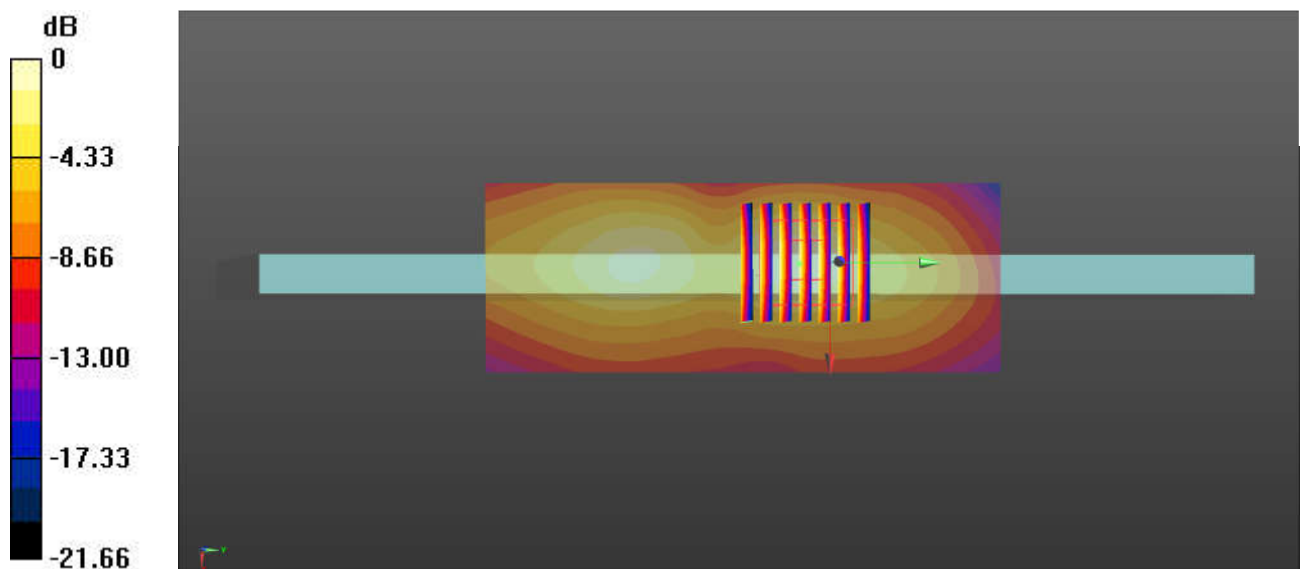
Ambient Temperature : 23.1 °C; Liquid Temperature : 22.8 °C

DASY5 Configuration:

- Probe: EX3DV4 - SN7592; ConvF(7.57, 7.57, 7.57); Calibrated: 2020.5.22
- Sensor-Surface: 1.4mm (Mechanical Surface Detection)
- Electronics: DAE4 Sn1358; Calibrated: 2020.4.28
- Phantom: SAM3; Type:ELI4 ; Serial: TP-1079
- Measurement SW: DASY52, Version 52.10 (4); SEMCAD X Version 14.6.14 (7483)

Area Scan (41x111x1): Interpolated grid: dx=1.200 mm, dy=1.200 mm
Maximum value of SAR (interpolated) = 0.487 W/kg

Zoom Scan (7x7x7)/Cube 0: Measurement grid: dx=5mm, dy=5mm, dz=5mm
Reference Value = 15.04 V/m; Power Drift = -0.04 dB
Peak SAR (extrapolated) = 0.609 W/kg
SAR(1 g) = 0.303 W/kg; SAR(10 g) = 0.145 W/kg
Maximum value of SAR (measured) = 0.486 W/kg



0 dB = 0.486 W/kg = -3.13 dBW/kg

02_Bluetooth_1Mbps_Top Side_10mm_Ant1_Ch0

Communication System: UID 0, Bluetooth (0); Frequency: 2402 MHz; Duty Cycle: 1:1.301
 Medium: HSL_2450 Medium parameters used: $f = 2402$ MHz; $\sigma = 1.683$ S/m; $\epsilon_r = 38.261$; $\rho = 1000$ kg/m³

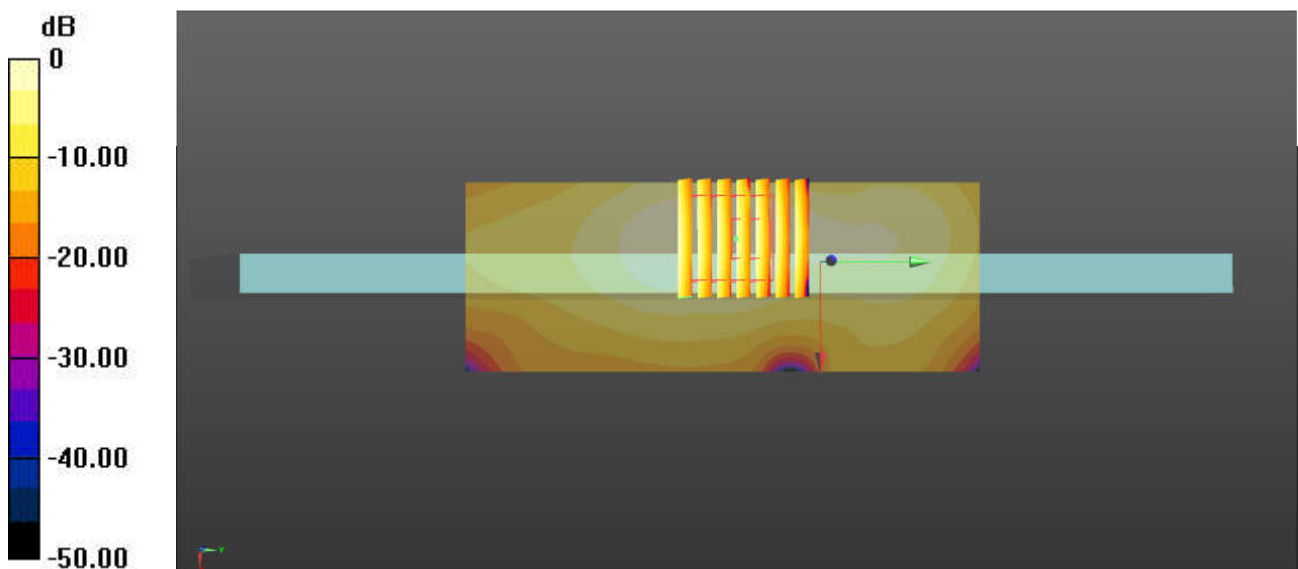
Ambient Temperature : 23.1 °C; Liquid Temperature : 22.8 °C

DASY5 Configuration:

- Probe: EX3DV4 - SN7592; ConvF(7.57, 7.57, 7.57); Calibrated: 2020.5.22
- Sensor-Surface: 1.4mm (Mechanical Surface Detection)
- Electronics: DAE4 Sn1358; Calibrated: 2020.4.28
- Phantom: SAM3; Type:ELI4 ; Serial: TP-1079
- Measurement SW: DASY52, Version 52.10 (4); SEMCAD X Version 14.6.14 (7483)

Area Scan (41x111x1): Interpolated grid: dx=1.200 mm, dy=1.200 mm
 Maximum value of SAR (interpolated) = 0.108 W/kg

Zoom Scan (7x7x7)/Cube 0: Measurement grid: dx=5mm, dy=5mm, dz=5mm
 Reference Value = 6.607 V/m; Power Drift = 0.02 dB
 Peak SAR (extrapolated) = 0.133 W/kg
SAR(1 g) = 0.063 W/kg; SAR(10 g) = 0.032 W/kg
 Maximum value of SAR (measured) = 0.102 W/kg



0 dB = 0.102 W/kg = -9.91 dBW/kg

03_WLAN5GHz_802.11n-HT40 MCS0_Top Side_10mm_Ant1+2_Ch54

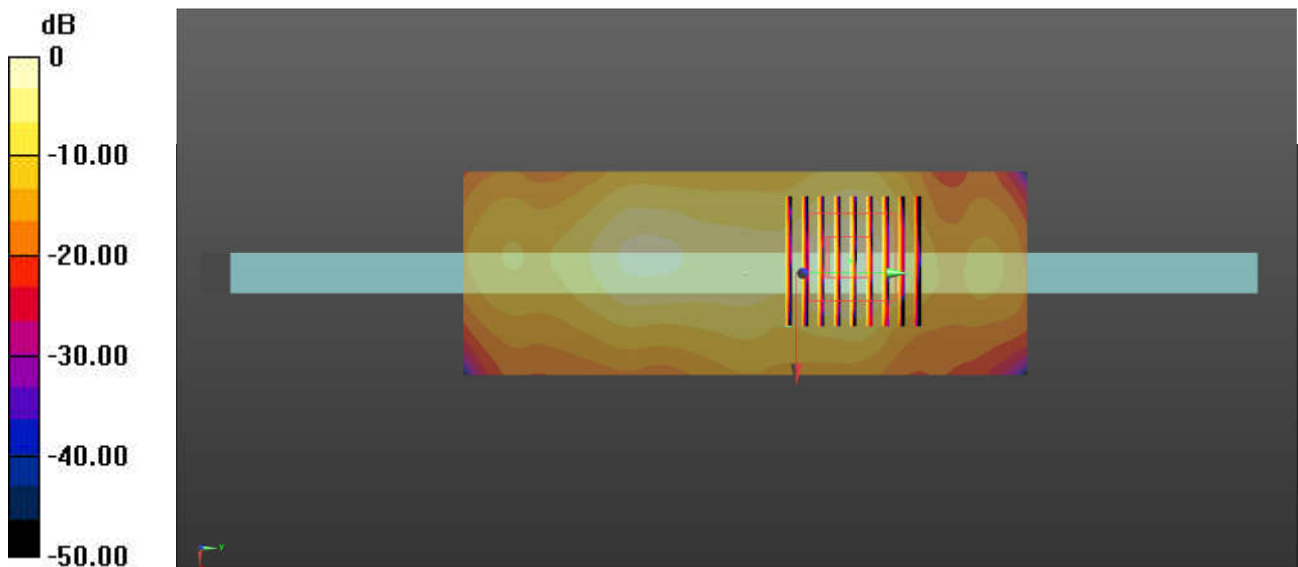
Communication System: UID 0, 802.11n (0); Frequency: 5270 MHz; Duty Cycle: 1:1.038
 Medium: HSL_5000 Medium parameters used: $f = 5270$ MHz; $\sigma = 4.661$ S/m; $\epsilon_r = 36.249$; $\rho = 1000$ kg/m³
 Ambient Temperature : 23.3 °C; Liquid Temperature : 22.7 °C

DASY5 Configuration:

- Probe: EX3DV4 - SN7592; ConvF(5.24, 5.24, 5.24); Calibrated: 2020.5.22
- Sensor-Surface: 1.4mm (Mechanical Surface Detection)
- Electronics: DAE4 Sn1358; Calibrated: 2020.4.28
- Phantom: SAM3; Type:ELI4 ; Serial: TP-1079
- Measurement SW: DASY52, Version 52.10 (4); SEMCAD X Version 14.6.14 (7483)

Area Scan (51x141x1): Interpolated grid: dx=1.000 mm, dy=1.000 mm
 Maximum value of SAR (interpolated) = 2.42 W/kg

Zoom Scan (9x9x7)/Cube 0: Measurement grid: dx=4mm, dy=4mm, dz=1.4mm
 Reference Value = 14.70 V/m; Power Drift = -0.01 dB
 Peak SAR (extrapolated) = 3.83 W/kg
SAR(1 g) = 1.05 W/kg; SAR(10 g) = 0.338 W/kg
 Maximum value of SAR (measured) = 2.37 W/kg



0 dB = 2.37 W/kg = 3.75 dBW/kg

04_WLAN5GHz_802.11ac-VHT80 MCS0_Top Side_10mm_Ant1+2_Ch138

Communication System: UID 0, 802.11ac (0); Frequency: 5690 MHz;Duty Cycle: 1:1.081
 Medium: HSL_5000 Medium parameters used: f = 5690 MHz; $\sigma = 5.102$ S/m; $\epsilon_r = 35.502$; $\rho = 1000$ kg/m³

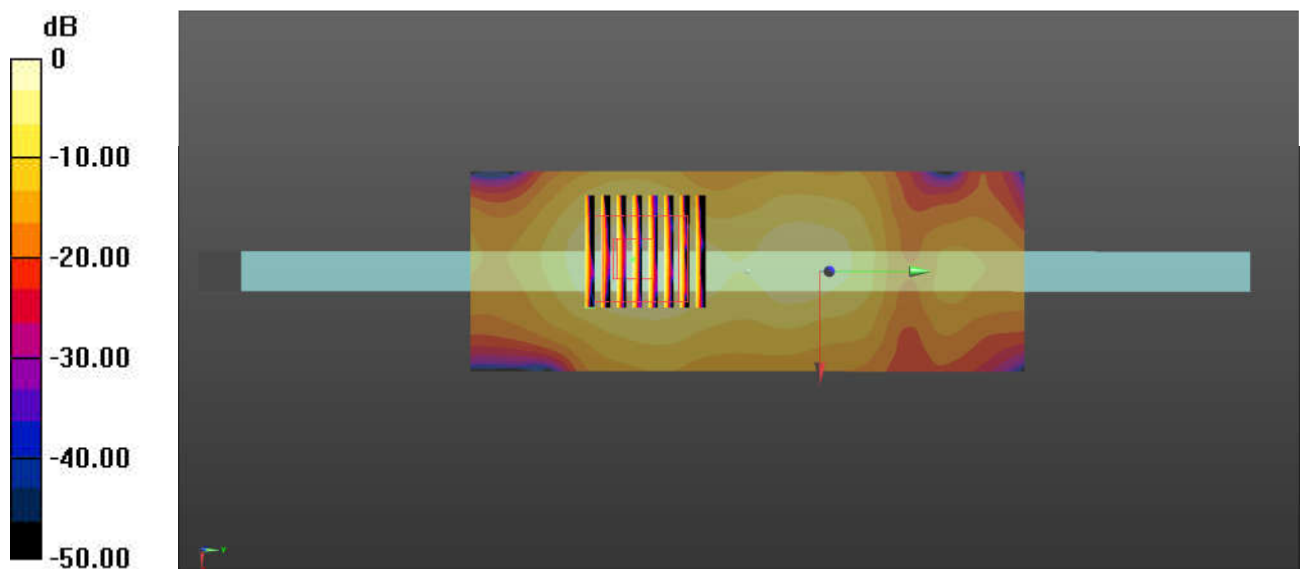
Ambient Temperature : 23.2 °C; Liquid Temperature : 22.6 °C

DASY5 Configuration:

- Probe: EX3DV4 - SN7592; ConvF(4.65, 4.65, 4.65); Calibrated: 2020.5.22
- Sensor-Surface: 1.4mm (Mechanical Surface Detection)
- Electronics: DAE4 Sn1358; Calibrated: 2020.4.28
- Phantom: SAM3; Type:ELI4 ; Serial: TP-1079
- Measurement SW: DASY52, Version 52.10 (4); SEMCAD X Version 14.6.14 (7483)

Area Scan (51x141x1): Interpolated grid: dx=1.000 mm, dy=1.000 mm
 Maximum value of SAR (interpolated) = 2.38 W/kg

Zoom Scan (8x8x7)/Cube 0: Measurement grid: dx=4mm, dy=4mm, dz=1.4mm
 Reference Value = 11.30 V/m; Power Drift = -0.01 dB
 Peak SAR (extrapolated) = 4.05 W/kg
SAR(1 g) = 0.931 W/kg; SAR(10 g) = 0.327 W/kg
 Maximum value of SAR (measured) = 2.37 W/kg



0 dB = 2.37 W/kg = 3.75 dBW/kg

05_WLAN5GHz_802.11a_6Mbps_Top Side_10mm_Ant2_Ch149

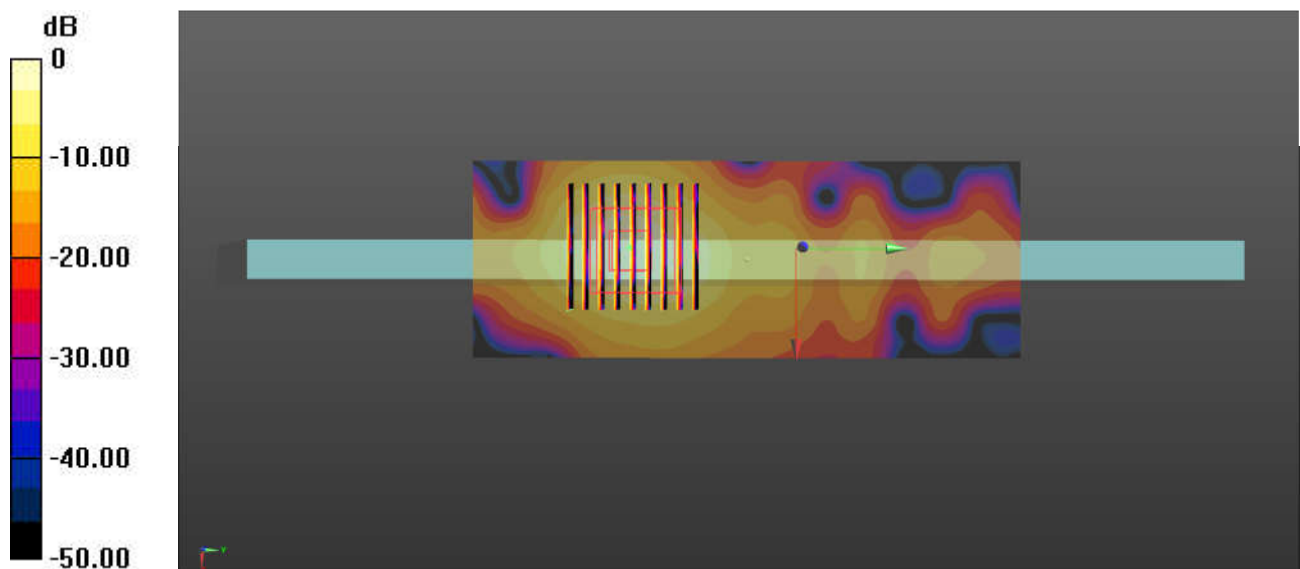
Communication System: UID 0, 802.11a (0); Frequency: 5745 MHz; Duty Cycle: 1:1.018
Medium: HSL_5000 Medium parameters used: $f = 5745$ MHz; $\sigma = 5.201$ S/m; $\epsilon_r = 35.259$; $\rho = 1000$ kg/m³
Ambient Temperature : 23.1 °C; Liquid Temperature : 22.6 °C

DASY5 Configuration:

- Probe: EX3DV4 - SN7592; ConvF(4.69, 4.69, 4.69); Calibrated: 2020.5.22
- Sensor-Surface: 1.4mm (Mechanical Surface Detection)
- Electronics: DAE4 Sn1358; Calibrated: 2020.4.28
- Phantom: SAM3; Type:ELI4 ; Serial: TP-1079
- Measurement SW: DASY52, Version 52.10 (4); SEMCAD X Version 14.6.14 (7483)

Area Scan (51x141x1): Interpolated grid: dx=1.000 mm, dy=1.000 mm
Maximum value of SAR (interpolated) = 2.03 W/kg

Zoom Scan (9x9x7)/Cube 0: Measurement grid: dx=4mm, dy=4mm, dz=1.4mm
Reference Value = 5.573 V/m; Power Drift = -0.08 dB
Peak SAR (extrapolated) = 3.60 W/kg
SAR(1 g) = 0.843 W/kg; SAR(10 g) = 0.269 W/kg
Maximum value of SAR (measured) = 2.06 W/kg



0 dB = 2.06 W/kg = 3.14 dBW/kg

06_WLAN2.4GHz_802.11b 1Mbps_Top Side_0mm_Ant 1+2_Ch6

Communication System: UID 0, 802.11b (0); Frequency: 2437 MHz;Duty Cycle: 1:1
 Medium: HSL_2450 Medium parameters used: $f = 2437$ MHz; $\sigma = 1.757$ S/m; $\epsilon_r = 39.387$; $\rho = 1000$ kg/m³
 Ambient Temperature : 23.3 °C; Liquid Temperature : 22.9 °C

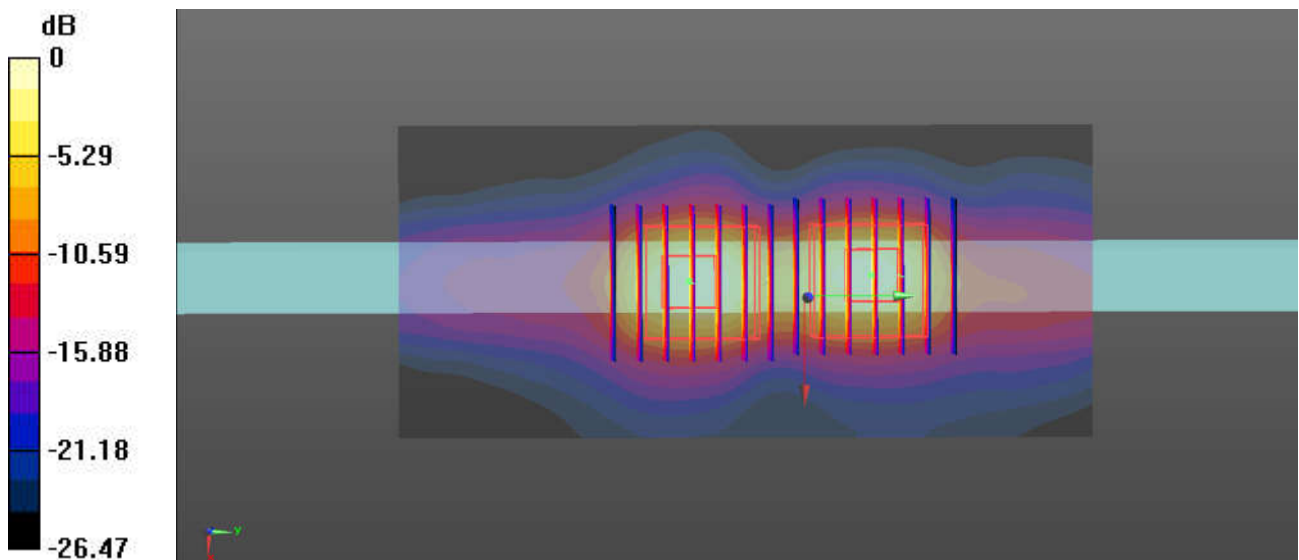
DASY5 Configuration:

- Probe: EX3DV4 - SN7592; ConvF(7.57, 7.57, 7.57); Calibrated: 2020.5.22
- Sensor-Surface: 1.4mm (Mechanical Surface Detection)
- Electronics: DAE4 Sn1358; Calibrated: 2020.4.28
- Phantom: SAM3; Type:ELI4 ; Serial: TP-1079
- Measurement SW: DASY52, Version 52.10 (4); SEMCAD X Version 14.6.14 (7483)

Area Scan (51x111x1): Interpolated grid: dx=1.200 mm, dy=1.200 mm
 Maximum value of SAR (interpolated) = 4.71 W/kg

Zoom Scan (7x7x7)/Cube 0: Measurement grid: dx=5mm, dy=5mm, dz=5mm
 Reference Value = 35.37 V/m; Power Drift = -0.04 dB
 Peak SAR (extrapolated) = 6.46 W/kg
SAR(1 g) = 2.36 W/kg; SAR(10 g) = 0.867 W/kg
 Maximum value of SAR (measured) = 4.61 W/kg

Zoom Scan (7x7x7)/Cube 1: Measurement grid: dx=5mm, dy=5mm, dz=5mm
 Reference Value = 35.37 V/m; Power Drift = -0.04 dB
 Peak SAR (extrapolated) = 6.33 W/kg
SAR(1 g) = 2.21 W/kg; SAR(10 g) = 0.805 W/kg
 Maximum value of SAR (measured) = 4.47 W/kg



0 dB = 4.47 W/kg = 6.50 dBW/kg

07_Bluetooth_1Mbps_Top Side_0mm_Ch39

Communication System: UID 0, Bluetooth (0); Frequency: 2441 MHz; Duty Cycle: 1:1.301
Medium: HSL_2450 Medium parameters used: $f = 2441$ MHz; $\sigma = 1.759$ S/m; $\epsilon_r = 39.392$; $\rho = 1000$ kg/m³

Ambient Temperature : 23.3 °C; Liquid Temperature : 22.9 °C

DASY5 Configuration:

- Probe: EX3DV4 - SN7592; ConvF(7.57, 7.57, 7.57); Calibrated: 2020.5.22
- Sensor-Surface: 1.4mm (Mechanical Surface Detection)
- Electronics: DAE4 Sn1358; Calibrated: 2020.4.28
- Phantom: SAM3; Type:ELI4 ; Serial: TP-1079
- Measurement SW: DASY52, Version 52.10 (4); SEMCAD X Version 14.6.14 (7483)

Area Scan (51x111x1): Interpolated grid: dx=1.200 mm, dy=1.200 mm

Maximum value of SAR (interpolated) = 1.09 W/kg

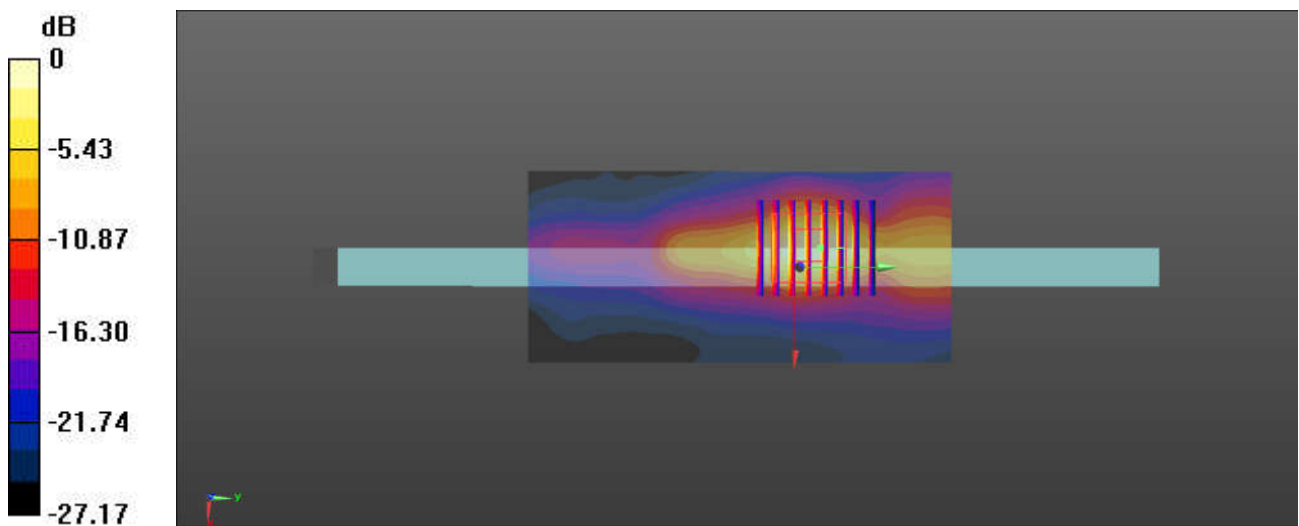
Zoom Scan (7x8x7)/Cube 0: Measurement grid: dx=5mm, dy=5mm, dz=5mm

Reference Value = 10.40 V/m; Power Drift = 0.03 dB

Peak SAR (extrapolated) = 1.49 W/kg

SAR(1 g) = 0.454 W/kg; SAR(10 g) = 0.169 W/kg

Maximum value of SAR (measured) = 0.940 W/kg



0 dB = 0.940 W/kg = -0.27 dBW/kg

08_WLAN5GHz_802.11n-HT40 MCS0_Top Side_0mm_Ant1+2_Ch62

Communication System: UID 0, 802.11n (0); Frequency: 5310 MHz;Duty Cycle: 1:1.038
Medium: HSL_5000 Medium parameters used: $f = 5310$ MHz; $\sigma = 4.769$ S/m; $\epsilon_r = 35.623$; $\rho = 1000$ kg/m³
Ambient Temperature : 23.3 °C; Liquid Temperature : 22.6 °C

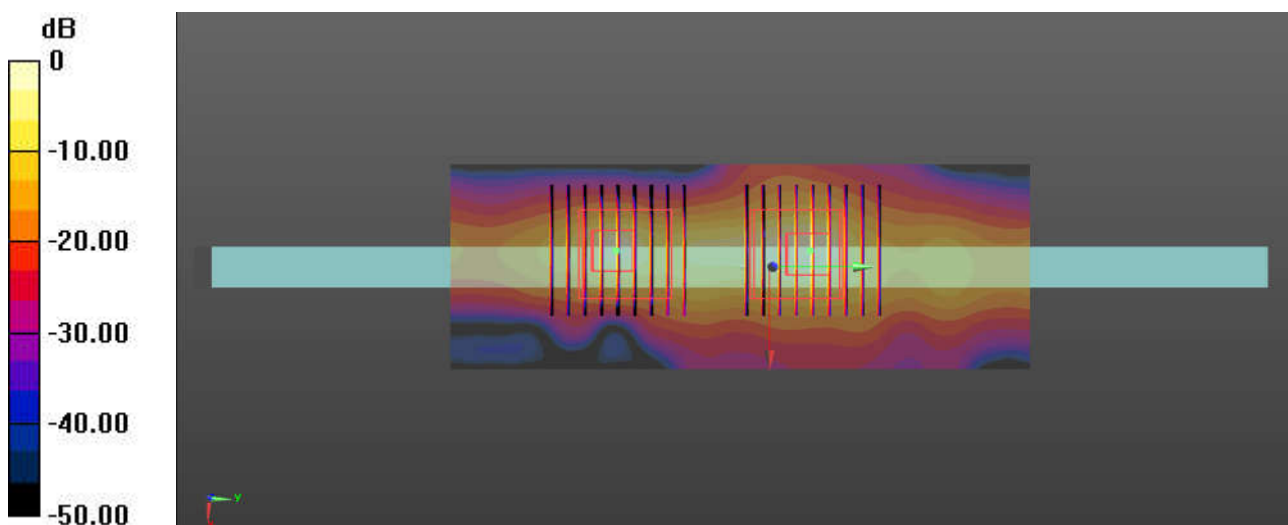
DASY5 Configuration:

- Probe: EX3DV4 - SN7592; ConvF(5.24, 5.24, 5.24); Calibrated: 2020.5.22
- Sensor-Surface: 1.4mm (Mechanical Surface Detection)
- Electronics: DAE4 Sn1358; Calibrated: 2020.4.28
- Phantom: SAM3; Type:ELI4 ; Serial: TP-1079
- Measurement SW: DASY52, Version 52.10 (4); SEMCAD X Version 14.6.14 (7483)

Area Scan (51x141x1): Interpolated grid: dx=1.000 mm, dy=1.000 mm
Maximum value of SAR (interpolated) = 18.8 W/kg

Zoom Scan (9x9x7)/Cube 0: Measurement grid: dx=4mm, dy=4mm, dz=1.4mm
Reference Value = 33.54 V/m; Power Drift = -0.06 dB
Peak SAR (extrapolated) = 48.6 W/kg
SAR(1 g) = 8.03 W/kg; SAR(10 g) = 1.47 W/kg
Maximum value of SAR (measured) = 25.1 W/kg

Zoom Scan (9x9x7)/Cube 1: Measurement grid: dx=4mm, dy=4mm, dz=1.4mm
Reference Value = 33.54 V/m; Power Drift = -0.06 dB
Peak SAR (extrapolated) = 32.0 W/kg
SAR(1 g) = 5.05 W/kg; SAR(10 g) = 0.936 W/kg
Maximum value of SAR (measured) = 17.0 W/kg



0 dB = 17.0 W/kg = 12.30 dBW/kg

09_WLAN5GHz_802.11ac-VHT80 MCS0_Top Side_0mm_Ant 2_Ch138

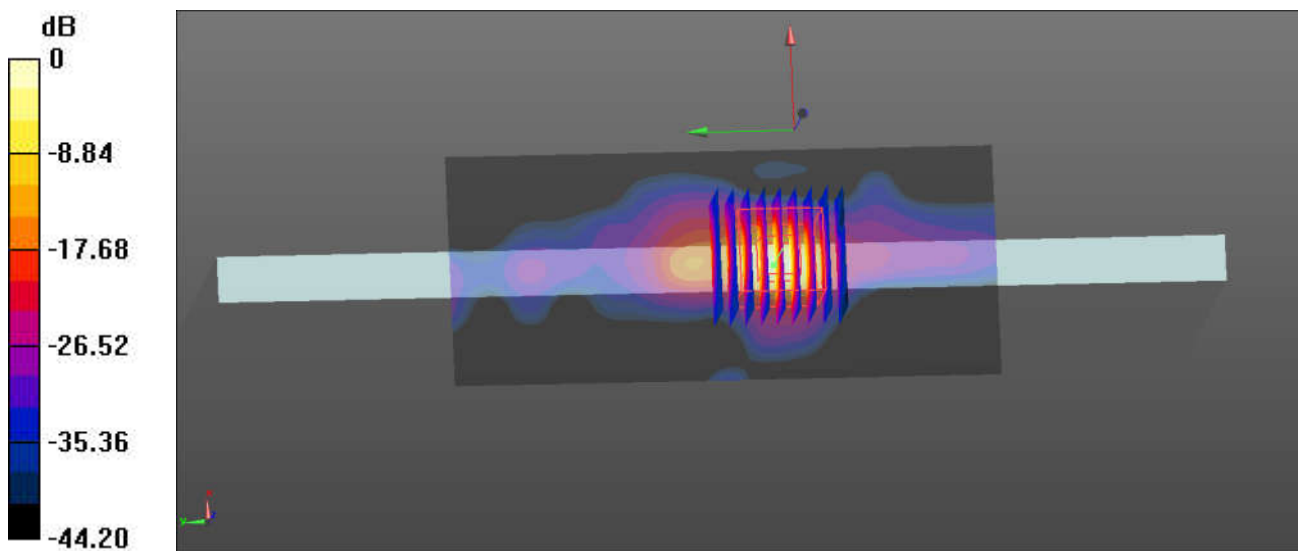
Communication System: UID 0, 802.11ac (0); Frequency: 5690 MHz; Duty Cycle: 1:1.081
Medium: HSL_5000 Medium parameters used: $f = 5690$ MHz; $\sigma = 5.215$ S/m; $\epsilon_r = 34.898$; $\rho = 1000$ kg/m³
Ambient Temperature : 23.3 °C; Liquid Temperature : 22.9 °C

DASY5 Configuration:

- Probe: EX3DV4 - SN7592; ConvF(4.65, 4.65, 4.65); Calibrated: 2020.5.22
- Sensor-Surface: 1.4mm (Mechanical Surface Detection)
- Electronics: DAE4 Sn1358; Calibrated: 2020.4.28
- Phantom: ELI Phantom; Type:ELI4 ; Serial: TP-1079
- Measurement SW: DASY52, Version 52.10 (4); SEMCAD X Version 14.6.14 (7483)

Area Scan (61x141x1): Interpolated grid: dx=1.000 mm, dy=1.000 mm
Maximum value of SAR (interpolated) = 22.5 W/kg

Zoom Scan (9x9x7)/Cube 0: Measurement grid: dx=4mm, dy=4mm, dz=1.4mm
Reference Value = 16.21 V/m; Power Drift = 0.06 dB
Peak SAR (extrapolated) = 58.9 W/kg
SAR(1 g) = 9.06 W/kg; SAR(10 g) = 1.45 W/kg
Maximum value of SAR (measured) = 29.4 W/kg



0 dB = 29.4 W/kg = 14.68 dBW/kg

10_WLAN5GHz_802.11a 6Mbps_Top Side_0mm_Ant 1+2_Ch157

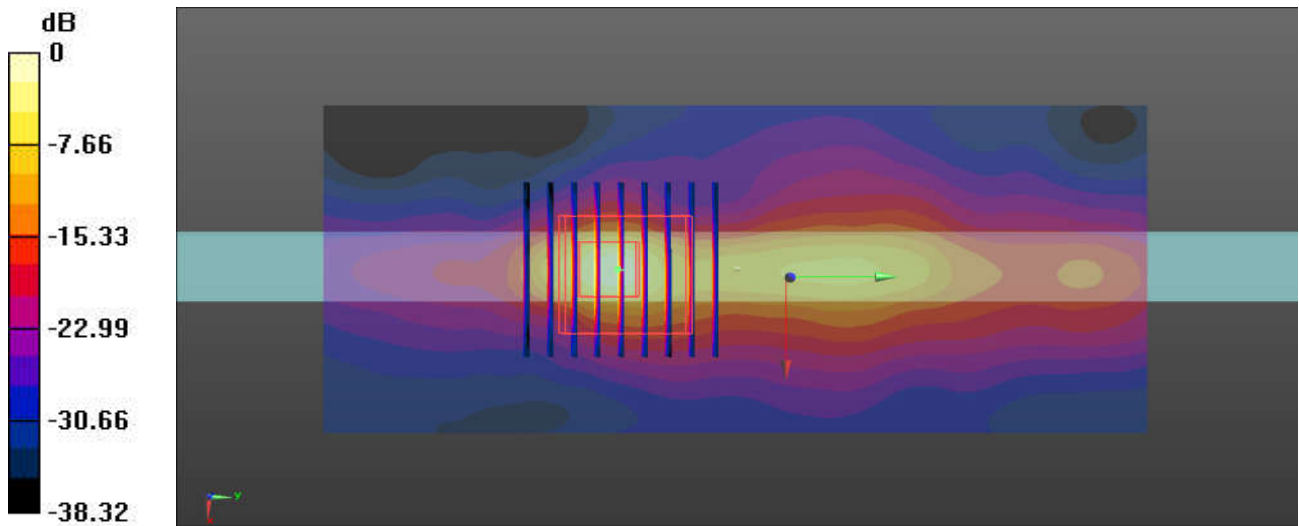
Communication System: UID 0, 802.11a (0); Frequency: 5785 MHz;Duty Cycle: 1:1.018
 Medium: HSL_5000 Medium parameters used: $f = 5785$ MHz; $\sigma = 5.319$ S/m; $\epsilon_r = 34.743$; $\rho = 1000$ kg/m³
 Ambient Temperature : 23.4 °C; Liquid Temperature : 22.8 °C

DASY5 Configuration:

- Probe: EX3DV4 - SN7592; ConvF(4.69, 4.69, 4.69); Calibrated: 2020.5.22
- Sensor-Surface: 1.4mm (Mechanical Surface Detection)
- Electronics: DAE4 Sn1358; Calibrated: 2020.4.28
- Phantom: SAM3; Type:ELI4 ; Serial: TP-1079
- Measurement SW: DASY52, Version 52.10 (4); SEMCAD X Version 14.6.14 (7483)

Area Scan (61x141x1): Interpolated grid: dx=1.000 mm, dy=1.000 mm
 Maximum value of SAR (interpolated) = 28.4 W/kg

Zoom Scan (9x9x7)/Cube 0: Measurement grid: dx=4mm, dy=4mm, dz=1.4mm
 Reference Value = 31.18 V/m; Power Drift = 0.01 dB
 Peak SAR (extrapolated) = 64.7 W/kg
SAR(1 g) = 8.72 W/kg; SAR(10 g) = 1.53 W/kg
 Maximum value of SAR (measured) = 29.1 W/kg



0 dB = 29.1 W/kg = 14.64 dBW/kg



Appendix C. DASYS Calibration Certificate

The DASYS calibration certificates are shown as follows.



In Collaboration with
s p e a g
CALIBRATION LABORATORY



中国认可
国际互认
校准
CALIBRATION
CNAS L0570

Add: No.51 Xueyuan Road, Haidian District, Beijing, 100191, China
Tel: +86-10-62304633-2079 Fax: +86-10-62304633-2504
E-mail: cttl@chinattl.com http://www.chinattl.cn

Client **Sporton**

Certificate No: **Z19-60087**

CALIBRATION CERTIFICATE

Object: **D2450V2 - SN: 908**

Calibration Procedure(s): **FF-Z11-003-01**
Calibration Procedures for dipole validation kits

Calibration date: **March 25, 2019**

This calibration Certificate documents the traceability to national standards, which realize the physical units of measurements(SI). The measurements and the uncertainties with confidence probability are given on the following pages and are part of the certificate.

All calibrations have been conducted in the closed laboratory facility: environment temperature(22±3)°C and humidity<70%.

Calibration Equipment used (M&TE critical for calibration)

Primary Standards	ID #	Cal Date(Calibrated by, Certificate No.)	Scheduled Calibration
Power Meter NRP2	106277	20-Aug-18 (CTTL, No.J18X06862)	Aug-19
Power sensor NRP8S	104291	20-Aug-18 (CTTL, No.J18X06862)	Aug-19
Reference Probe EX3DV4	SN 3617	31-Jan-19(SPEAG,No.EX3-3617_Jan19)	Jan-20
DAE4	SN 1331	06-Feb-19(SPEAG,No.DAE4-1331_Feb19)	Feb-20
Secondary Standards	ID #	Cal Date(Calibrated by, Certificate No.)	Scheduled Calibration
Signal Generator E4438C	MY49071430	23-Jan-19 (CTTL, No.J19X00336)	Jan-20
NetworkAnalyzer E5071C	MY46110673	24-Jan-19 (CTTL, No.J19X00547)	Jan-20

	Name	Function	Signature
Calibrated by:	Zhao Jing	SAR Test Engineer	
Reviewed by:	Lin Hao	SAR Test Engineer	
Approved by:	Qi Dianyuan	SAR Project Leader	

Issued: March 28, 2019

This calibration certificate shall not be reproduced except in full without written approval of the laboratory.



Glossary:

TSL	tissue simulating liquid
ConvF	sensitivity in TSL / NORM _{x,y,z}
N/A	not applicable or not measured

Calibration is Performed According to the Following Standards:

- IEEE Std 1528-2013, "IEEE Recommended Practice for Determining the Peak Spatial-Averaged Specific Absorption Rate (SAR) in the Human Head from Wireless Communications Devices: Measurement Techniques", June 2013
- IEC 62209-1, "Measurement procedure for assessment of specific absorption rate of human exposure to radio frequency fields from hand-held and body-mounted wireless communication devices- Part 1: Device used next to the ear (Frequency range of 300MHz to 6GHz)", July 2016
- IEC 62209-2, "Procedure to measure the Specific Absorption Rate (SAR) For wireless communication devices used in close proximity to the human body (frequency range of 30MHz to 6GHz)", March 2010
- KDB865664, SAR Measurement Requirements for 100 MHz to 6 GHz

Additional Documentation:

- DASY4/5 System Handbook

Methods Applied and Interpretation of Parameters:

- Measurement Conditions:** Further details are available from the Validation Report at the end of the certificate. All figures stated in the certificate are valid at the frequency indicated.
- Antenna Parameters with TSL:** The dipole is mounted with the spacer to position its feed point exactly below the center marking of the flat phantom section, with the arms oriented parallel to the body axis.
- Feed Point Impedance and Return Loss:** These parameters are measured with the dipole positioned under the liquid filled phantom. The impedance stated is transformed from the measurement at the SMA connector to the feed point. The Return Loss ensures low reflected power. No uncertainty required.
- Electrical Delay:** One-way delay between the SMA connector and the antenna feed point. No uncertainty required.
- SAR measured:** SAR measured at the stated antenna input power.
- SAR normalized:** SAR as measured, normalized to an input power of 1 W at the antenna connector.
- SAR for nominal TSL parameters:** The measured TSL parameters are used to calculate the nominal SAR result.

The reported uncertainty of measurement is stated as the standard uncertainty of Measurement multiplied by the coverage factor $k=2$, which for a normal distribution Corresponds to a coverage probability of approximately 95%.



Measurement Conditions

DASY system configuration, as far as not given on page 1.

DASY Version	DASY52	52.10.2.1495
Extrapolation	Advanced Extrapolation	
Phantom	Triple Flat Phantom 5.1C	
Distance Dipole Center - TSL	10 mm	with Spacer
Zoom Scan Resolution	dx, dy, dz = 5 mm	
Frequency	2450 MHz ± 1 MHz	

Head TSL parameters

The following parameters and calculations were applied.

	Temperature	Permittivity	Conductivity
Nominal Head TSL parameters	22.0 °C	39.2	1.80 mho/m
Measured Head TSL parameters	(22.0 ± 0.2) °C	39.6 ± 6 %	1.84 mho/m ± 6 %
Head TSL temperature change during test	<1.0 °C	---	---

SAR result with Head TSL

SAR averaged over 1 cm ³ (1 g) of Head TSL	Condition	
SAR measured	250 mW input power	13.3 W/kg
SAR for nominal Head TSL parameters	normalized to 1W	52.8 W/kg ± 18.6 % (k=2)
SAR averaged over 10 cm ³ (10 g) of Head TSL	Condition	
SAR measured	250 mW input power	6.07 W/kg
SAR for nominal Head TSL parameters	normalized to 1W	24.2 W/kg ± 18.7 % (k=2)

Body TSL parameters

The following parameters and calculations were applied.

	Temperature	Permittivity	Conductivity
Nominal Body TSL parameters	22.0 °C	52.7	1.95 mho/m
Measured Body TSL parameters	(22.0 ± 0.2) °C	53.8 ± 6 %	2.00 mho/m ± 6 %
Body TSL temperature change during test	<1.0 °C	---	---

SAR result with Body TSL

SAR averaged over 1 cm ³ (1 g) of Body TSL	Condition	
SAR measured	250 mW input power	12.8 W/kg
SAR for nominal Body TSL parameters	normalized to 1W	50.8 W/kg ± 18.8 % (k=2)
SAR averaged over 10 cm ³ (10 g) of Body TSL	Condition	
SAR measured	250 mW input power	5.91 W/kg
SAR for nominal Body TSL parameters	normalized to 1W	23.6 W/kg ± 18.7 % (k=2)



Appendix (Additional assessments outside the scope of CNAS L0570)

Antenna Parameters with Head TSL

Impedance, transformed to feed point	$57.3\Omega + 5.18 j\Omega$
Return Loss	- 21.6dB

Antenna Parameters with Body TSL

Impedance, transformed to feed point	$52.6\Omega + 5.81 j\Omega$
Return Loss	- 24.1dB

General Antenna Parameters and Design

Electrical Delay (one direction)	1.020 ns
----------------------------------	----------

After long term use with 100W radiated power, only a slight warming of the dipole near the feedpoint can be measured.

The dipole is made of standard semirigid coaxial cable. The center conductor of the feeding line is directly connected to the second arm of the dipole. The antenna is therefore short-circuited for DC-signals. On some of the dipoles, small end caps are added to the dipole arms in order to improve matching when loaded according to the position as explained in the "Measurement Conditions" paragraph. The SAR data are not affected by this change. The overall dipole length is still according to the Standard.

No excessive force must be applied to the dipole arms, because they might bend or the soldered connections near the feedpoint may be damaged.

Additional EUT Data

Manufactured by	SPEAG
-----------------	-------

DASY5 Validation Report for Head TSL

Date: 03.25.2019

Test Laboratory: CTTL, Beijing, China

DUT: Dipole 2450 MHz; Type: D2450V2; Serial: D2450V2 - SN: 908

Communication System: UID 0, CW; Frequency: 2450 MHz; Duty Cycle: 1:1

Medium parameters used: $f = 2450$ MHz; $\sigma = 1.841$ S/m; $\epsilon_r = 39.63$; $\rho = 1000$ kg/m³

Phantom section: Right Section

DASY5 Configuration:

- Probe: EX3DV4 - SN3617; ConvF(7.62, 7.62, 7.62) @ 2450 MHz; Calibrated: 1/31/2019
- Sensor-Surface: 1.4mm (Mechanical Surface Detection)
- Electronics: DAE4 Sn1331; Calibrated: 2/6/2019
- Phantom: MFP_V5.1C ; Type: QD 000 P51CA; Serial: 1062
- Measurement SW: DASY52, Version 52.10 (2); SEMCAD X Version 14.6.12 (7450)

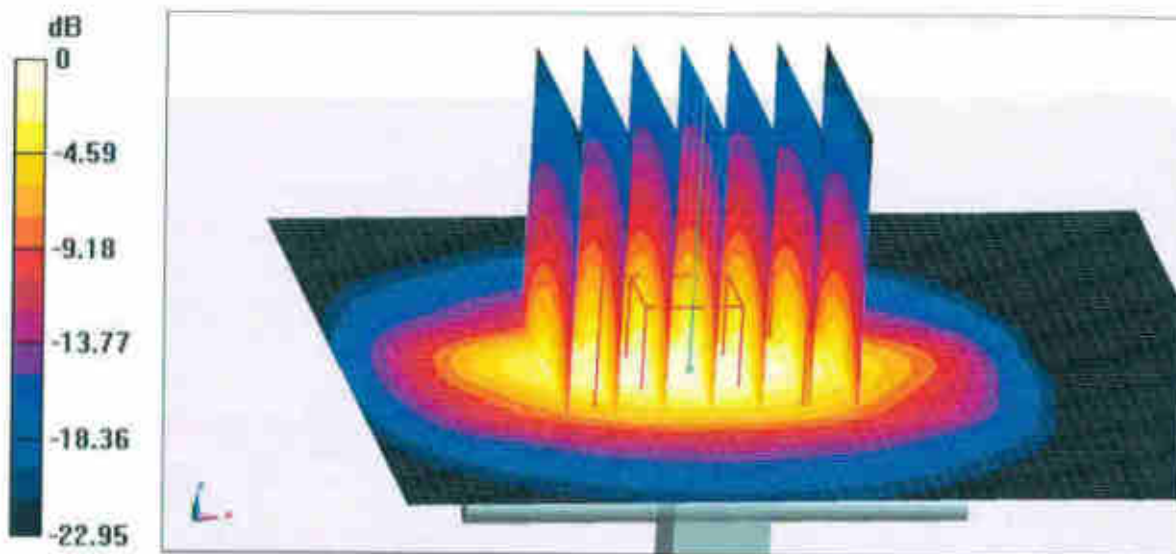
Dipole Calibration/Zoom Scan (7x7x7) (7x7x7)/Cube 0: Measurement grid: dx=5mm, dy=5mm, dz=5mm

Reference Value = 96.04 V/m; Power Drift = 0.04 dB

Peak SAR (extrapolated) = 28.3 W/kg

SAR(1 g) = 13.3 W/kg; SAR(10 g) = 6.07 W/kg

Maximum value of SAR (measured) = 22.4 W/kg

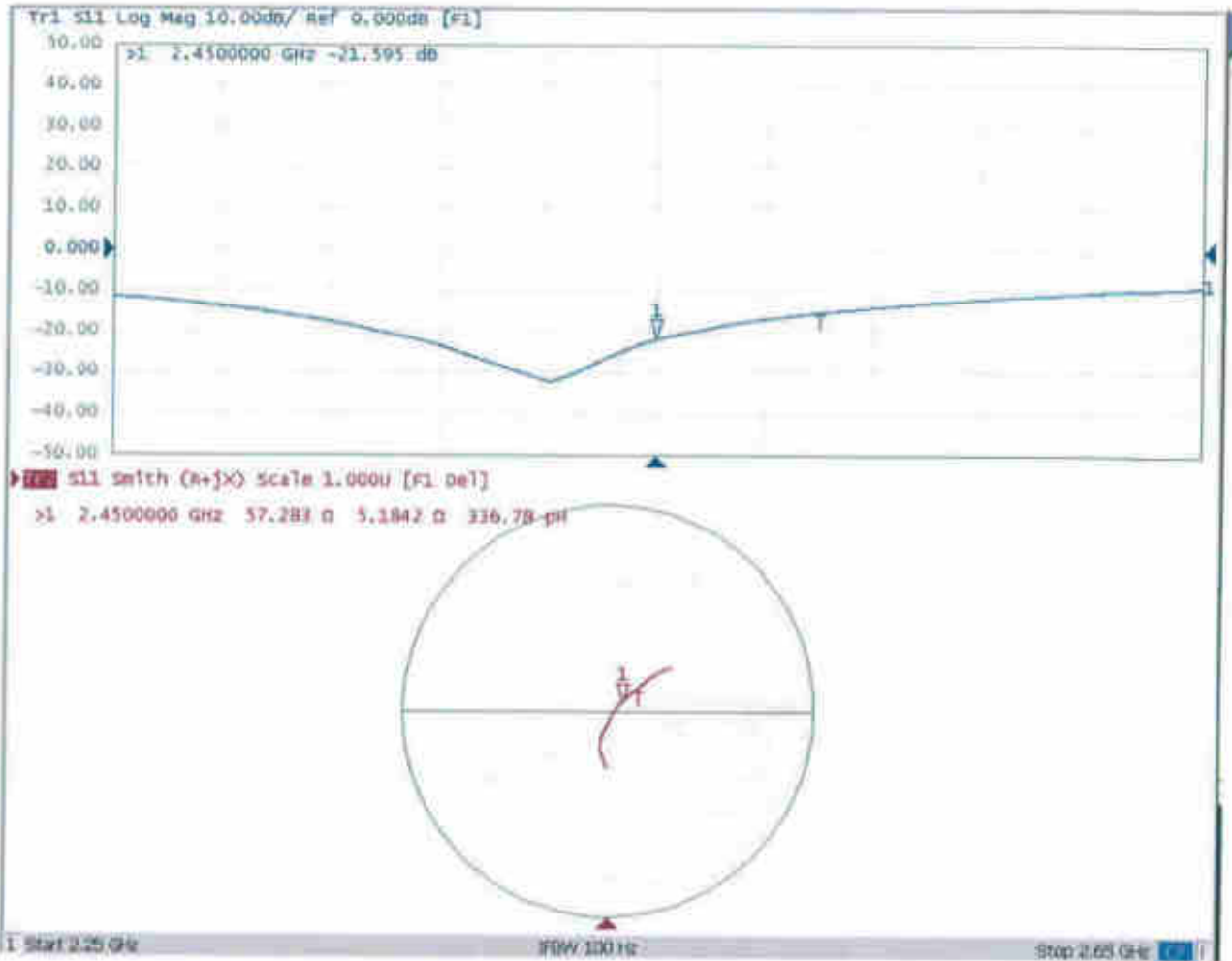


0 dB = 22.4 W/kg = 13.50 dBW/kg



Add: No.51 Xueyuan Road, Haidian District, Beijing, 100191, China
Tel: +86-10-62304633-2079 Fax: +86-10-62304633-2504
E-mail: ctf@chinattl.com http://www.chinattl.cn

Impedance Measurement Plot for Head TSL





Add: No.51 Xueyuan Road, Haidian District, Beijing, 100191, China
Tel: +86-10-62304633-2079 Fax: +86-10-62304633-2504
E-mail: cttl@chinattl.com http://www.chinattl.cn

DASY5 Validation Report for Body TSL

Date: 03.25.2019

Test Laboratory: CTTL, Beijing, China

DUT: Dipole 2450 MHz; Type: D2450V2; Serial: D2450V2 - SN: 908

Communication System: UID 0, CW; Frequency: 2450 MHz; Duty Cycle: 1:1

Medium parameters used: $f = 2450$ MHz; $\sigma = 2.003$ S/m; $\epsilon_r = 53.78$; $\rho = 1000$ kg/m³

Phantom section: Center Section

DASY5 Configuration:

- Probe: EX3DV4 - SN3617; ConvF(7.79, 7.79, 7.79) @ 2450 MHz; Calibrated: 1/31/2019
- Sensor-Surface: 1.4mm (Mechanical Surface Detection)
- Electronics: DAE4 Sn1331; Calibrated: 2/6/2019
- Phantom: MFP_V5.1C ; Type: QD 000 P51CA; Serial: 1062
- Measurement SW: DASY52, Version 52.10 (2); SEMCAD X Version 14.6.12 (7450)

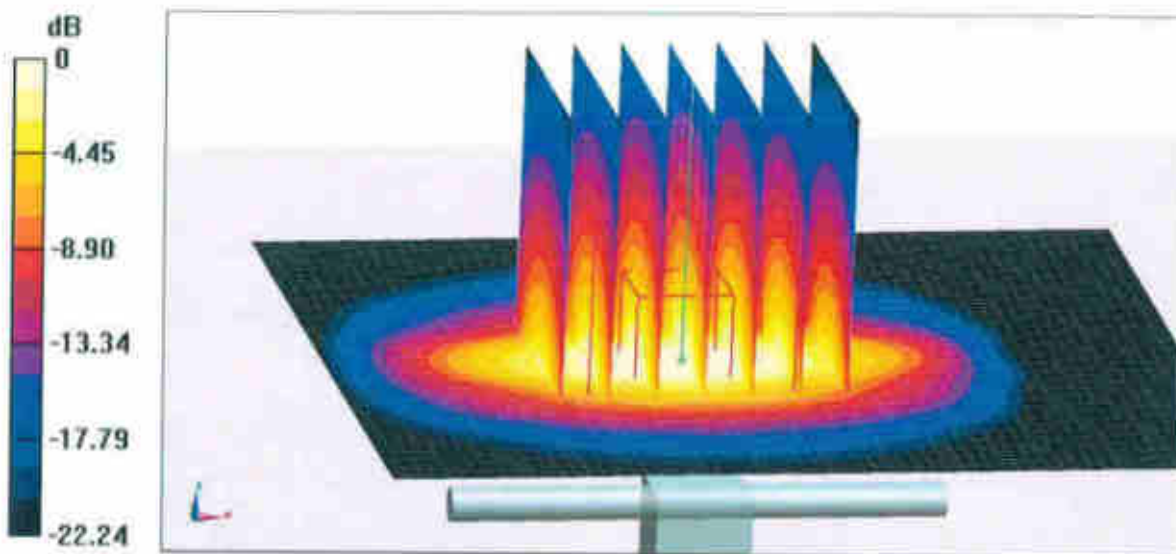
Dipole Calibration/Zoom Scan (7x7x7) (7x7x7)/Cube 0: Measurement grid: dx=5mm, dy=5mm, dz=5mm

Reference Value = 95.51 V/m; Power Drift = -0.02 dB

Peak SAR (extrapolated) = 27.1 W/kg

SAR(1 g) = 12.8 W/kg; SAR(10 g) = 5.91 W/kg

Maximum value of SAR (measured) = 21.4 W/kg

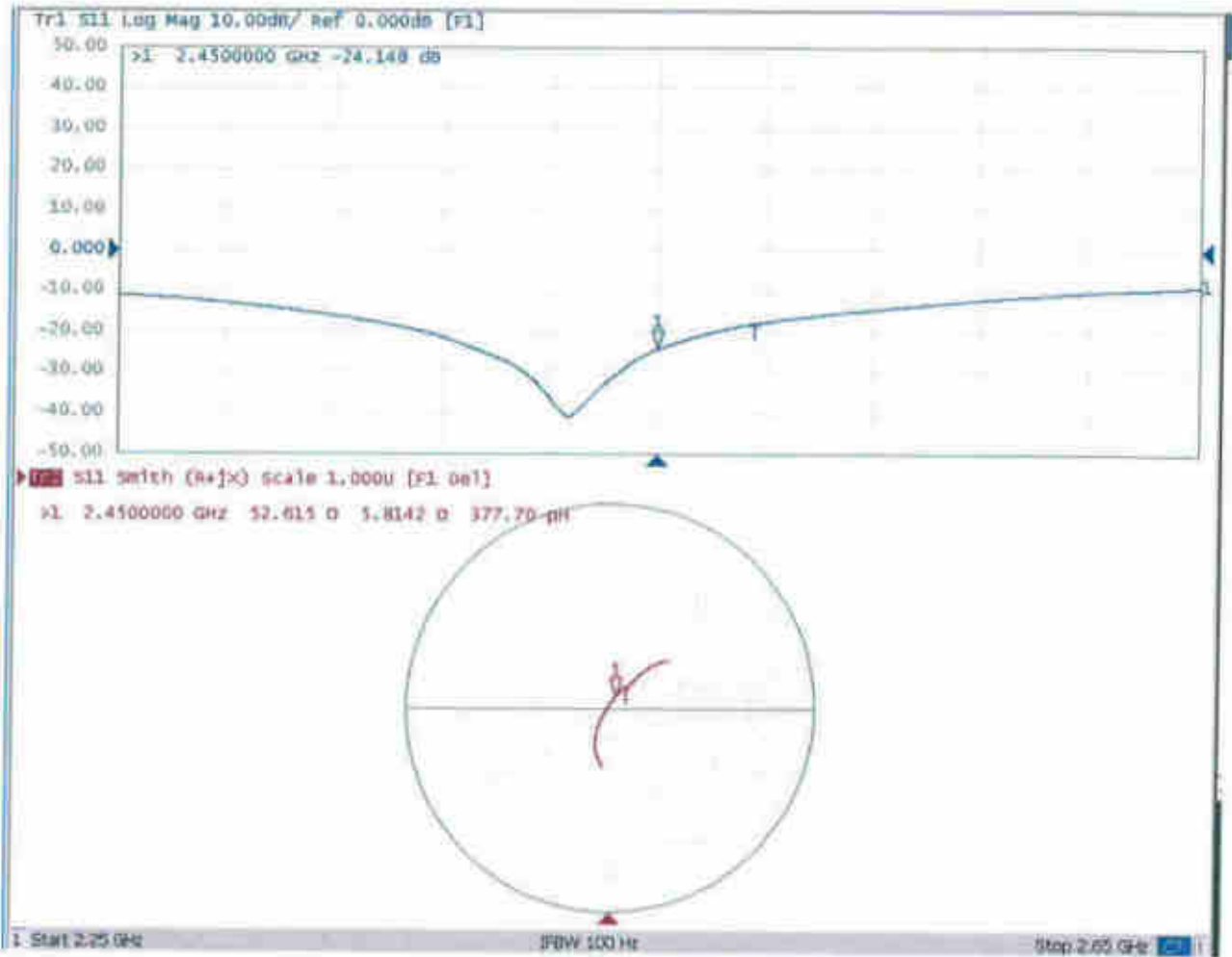


0 dB = 21.4 W/kg = 13.30 dBW/kg



Add: No.51 Xueyuan Road, Haidian District, Beijing, 100191, China
Tel: +86-10-62304633-2079 Fax: +86-10-62304633-2504
E-mail: cttl@chinattl.com http://www.chinattl.cn

Impedance Measurement Plot for Body TSL





D2450V2, Serial No. 908 Extended Dipole Calibrations

Referring to KDB 865664 D01 v01r02, if dipoles are verified in return loss ($<-20\text{dB}$, within 20% of prior calibration), and in impedance (within 5 ohm of prior calibration), the annual calibration is not necessary and the calibration interval can be extended.

D2450V2 – serial no. 908						
2450 Head						
Date of Measurement	Return-Loss (dB)	Delta (%)	Real Impedance (ohm)	Delta (ohm)	Imaginary Impedance (ohm)	Delta (ohm)
2019.3.25	-21.60		57.28		5.18	
2020.3.24	-22.7	-0.05	57.5	-0.18	2.4	2.81
2021.3.24	-21.30	0.01	55.80	1.49	5.67	-0.49

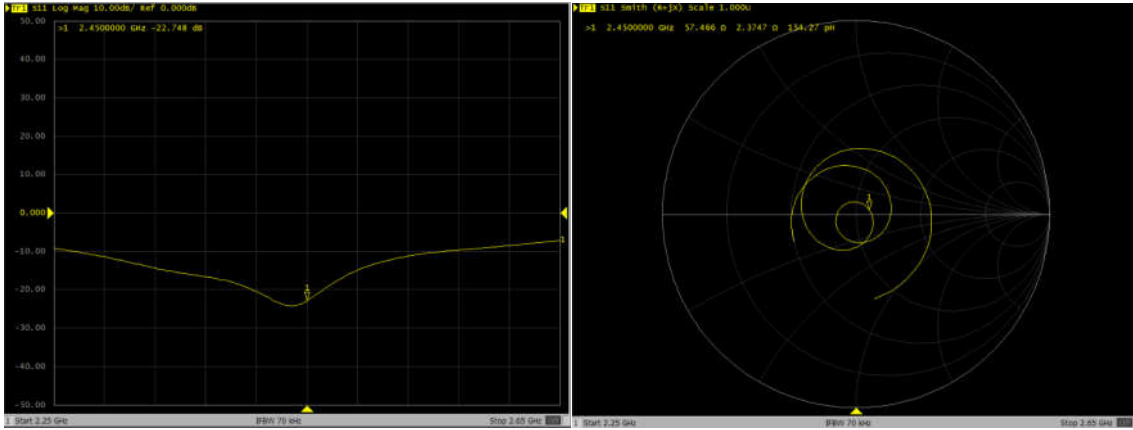
<Justification of the extended calibration>

The return loss is $<-20\text{dB}$, within 20% of prior calibration; the impedance is within 5 ohm of prior calibration. Therefore the verification result should support extended calibration.

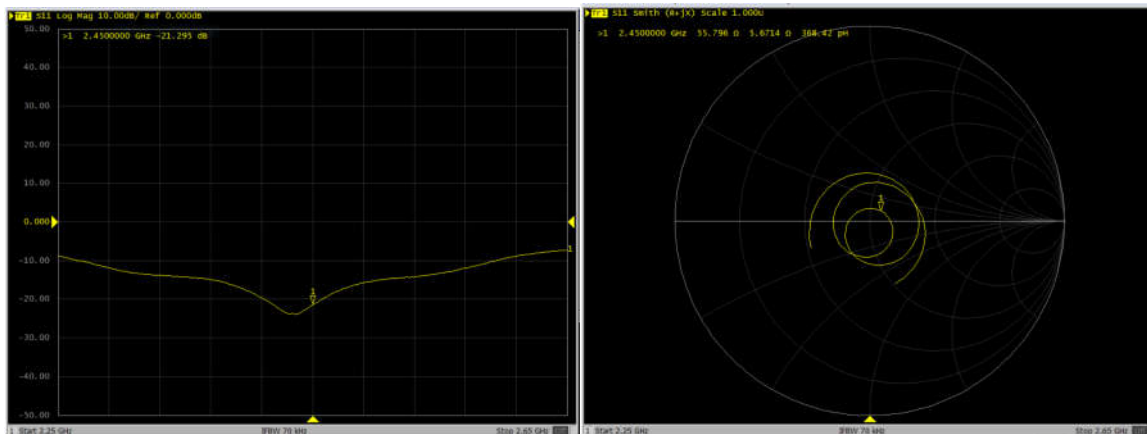


Dipole Verification Data> D2450V2, serial no. 908

2450MHz – Head----2020.3.24



2450MHz – Head----2021.3.24





Accredited by the Swiss Accreditation Service (SAS)
The Swiss Accreditation Service is one of the signatories to the EA
Multilateral Agreement for the recognition of calibration certificates

Accreditation No.: **SCS 0108**

Client **Sporton**

Certificate No: **D5GHzV2-1113_Sep19**

CALIBRATION CERTIFICATE

Object **D5GHzV2 - SN:1113**

Calibration procedure(s) **QA CAL-22.v4
Calibration Procedure for SAR Validation Sources between 3-6 GHz**

Calibration date: **September 24, 2019**

This calibration certificate documents the traceability to national standards, which realize the physical units of measurements (SI).
The measurements and the uncertainties with confidence probability are given on the following pages and are part of the certificate.

All calibrations have been conducted in the closed laboratory facility: environment temperature $(22 \pm 3)^{\circ}\text{C}$ and humidity $< 70\%$.

Calibration Equipment used (M&TE critical for calibration)

Primary Standards	ID #	Cal Date (Certificate No.)	Scheduled Calibration
Power meter NRP	SN: 104778	03-Apr-19 (No. 217-02892/02893)	Apr-20
Power sensor NRP-Z91	SN: 103244	03-Apr-19 (No. 217-02892)	Apr-20
Power sensor NRP-Z91	SN: 103245	03-Apr-19 (No. 217-02893)	Apr-20
Reference 20 dB Attenuator	SN: 5058 (20k)	04-Apr-19 (No. 217-02894)	Apr-20
Type-N mismatch combination	SN: 5047.2 / 06327	04-Apr-19 (No. 217-02895)	Apr-20
Reference Probe EX3DV4	SN: 3503	25-Mar-19 (No. EX3-3503_Mar19)	Mar-20
DAE4	SN: 601	30-Apr-19 (No. DAE4-601_Apr19)	Apr-20

Secondary Standards	ID #	Check Date (in house)	Scheduled Check
Power meter E4419B	SN: GB39512475	30-Oct-14 (in house check Feb-19)	In house check: Oct-20
Power sensor HP 8481A	SN: US37292783	07-Oct-15 (in house check Oct-18)	In house check: Oct-20
Power sensor HP 8481A	SN: MY41092317	07-Oct-15 (in house check Oct-18)	In house check: Oct-20
RF generator R&S SMT-06	SN: 100972	15-Jun-15 (in house check Oct-18)	In house check: Oct-20
Network Analyzer Agilent E8358A	SN: US41080477	31-Mar-14 (in house check Oct-18)	In house check: Oct-19

Calibrated by:	Name Jeton Kastrati	Function Laboratory Technician	Signature
Approved by:	Name Katja Pokovic	Function Technical Manager	Signature

Issued: September 25, 2019

This calibration certificate shall not be reproduced except in full without written approval of the laboratory.



Accredited by the Swiss Accreditation Service (SAS)

The Swiss Accreditation Service is one of the signatories to the EA
Multilateral Agreement for the recognition of calibration certificates

Accreditation No.: SCS 0108

Glossary:

TSL	tissue simulating liquid
ConvF	sensitivity in TSL / NORM x,y,z
N/A	not applicable or not measured

Calibration is Performed According to the Following Standards:

- IEEE Std 1528-2013, "IEEE Recommended Practice for Determining the Peak Spatial-Averaged Specific Absorption Rate (SAR) in the Human Head from Wireless Communications Devices: Measurement Techniques", June 2013
- IEC 62209-1, "Measurement procedure for the assessment of Specific Absorption Rate (SAR) from hand-held and body-mounted devices used next to the ear (frequency range of 300 MHz to 6 GHz)", July 2016
- IEC 62209-2, "Procedure to determine the Specific Absorption Rate (SAR) for wireless communication devices used in close proximity to the human body (frequency range of 30 MHz to 6 GHz)", March 2010
- KDB 865664, "SAR Measurement Requirements for 100 MHz to 6 GHz"

Additional Documentation:

- DASY4/5 System Handbook

Methods Applied and Interpretation of Parameters:

- Measurement Conditions:** Further details are available from the Validation Report at the end of the certificate. All figures stated in the certificate are valid at the frequency indicated.
- Antenna Parameters with TSL:** The dipole is mounted with the spacer to position its feed point exactly below the center marking of the flat phantom section, with the arms oriented parallel to the body axis.
- Feed Point Impedance and Return Loss:** These parameters are measured with the dipole positioned under the liquid filled phantom. The impedance stated is transformed from the measurement at the SMA connector to the feed point. The Return Loss ensures low reflected power. No uncertainty required.
- Electrical Delay:** One-way delay between the SMA connector and the antenna feed point. No uncertainty required.
- SAR measured:** SAR measured at the stated antenna input power.
- SAR normalized:** SAR as measured, normalized to an input power of 1 W at the antenna connector.
- SAR for nominal TSL parameters:** The measured TSL parameters are used to calculate the nominal SAR result.

The reported uncertainty of measurement is stated as the standard uncertainty of measurement multiplied by the coverage factor $k=2$, which for a normal distribution corresponds to a coverage probability of approximately 95%.

Measurement Conditions

DASY system configuration, as far as not given on page 1.

DASY Version	DASY5	V52.10.2
Extrapolation	Advanced Extrapolation	
Phantom	Modular Flat Phantom V5.0	
Distance Dipole Center - TSL	10 mm	with Spacer
Zoom Scan Resolution	dx, dy = 4.0 mm, dz = 1.4 mm	Graded Ratio = 1.4 (Z direction)
Frequency	5250 MHz ± 1 MHz 5600 MHz ± 1 MHz 5750 MHz ± 1 MHz	

Head TSL parameters at 5250 MHz

The following parameters and calculations were applied.

	Temperature	Permittivity	Conductivity
Nominal Head TSL parameters	22.0 °C	35.9	4.71 mho/m
Measured Head TSL parameters	(22.0 ± 0.2) °C	35.1 ± 6 %	4.53 mho/m ± 6 %
Head TSL temperature change during test	< 0.5 °C	---	---

SAR result with Head TSL at 5250 MHz

SAR averaged over 1 cm ³ (1 g) of Head TSL	Condition	
SAR measured	100 mW input power	8.09 W/kg
SAR for nominal Head TSL parameters	normalized to 1W	80.5 W/kg ± 19.9 % (k=2)

SAR averaged over 10 cm ³ (10 g) of Head TSL	condition	
SAR measured	100 mW input power	2.33 W/kg
SAR for nominal Head TSL parameters	normalized to 1W	23.1 W/kg ± 19.5 % (k=2)

Head TSL parameters at 5600 MHz

The following parameters and calculations were applied.

	Temperature	Permittivity	Conductivity
Nominal Head TSL parameters	22.0 °C	35.5	5.07 mho/m
Measured Head TSL parameters	(22.0 ± 0.2) °C	34.6 ± 6 %	4.88 mho/m ± 6 %
Head TSL temperature change during test	< 0.5 °C	---	---

SAR result with Head TSL at 5600 MHz

SAR averaged over 1 cm ³ (1 g) of Head TSL	Condition	
SAR measured	100 mW input power	8.40 W/kg
SAR for nominal Head TSL parameters	normalized to 1W	83.4 W/kg ± 19.9 % (k=2)

SAR averaged over 10 cm ³ (10 g) of Head TSL	condition	
SAR measured	100 mW input power	2.40 W/kg
SAR for nominal Head TSL parameters	normalized to 1W	23.8 W/kg ± 19.5 % (k=2)

Head TSL parameters at 5750 MHz

The following parameters and calculations were applied.

	Temperature	Permittivity	Conductivity
Nominal Head TSL parameters	22.0 °C	35.4	5.22 mho/m
Measured Head TSL parameters	(22.0 ± 0.2) °C	34.4 ± 6 %	5.03 mho/m ± 6 %
Head TSL temperature change during test	< 0.5 °C	----	----

SAR result with Head TSL at 5750 MHz

SAR averaged over 1 cm ³ (1 g) of Head TSL	Condition	
SAR measured	100 mW input power	8.06 W/kg
SAR for nominal Head TSL parameters	normalized to 1W	80.0 W/kg ± 19.9 % (k=2)

SAR averaged over 10 cm ³ (10 g) of Head TSL	condition	
SAR measured	100 mW input power	2.30 W/kg
SAR for nominal Head TSL parameters	normalized to 1W	22.8 W/kg ± 19.5 % (k=2)

Appendix (Additional assessments outside the scope of SCS 0108)

Antenna Parameters with Head TSL at 5250 MHz

Impedance, transformed to feed point	51.7 Ω - 6.2 $j\Omega$
Return Loss	- 24.0 dB

Antenna Parameters with Head TSL at 5600 MHz

Impedance, transformed to feed point	56.0 Ω - 2.7 $j\Omega$
Return Loss	- 24.1 dB

Antenna Parameters with Head TSL at 5750 MHz

Impedance, transformed to feed point	56.7 Ω - 1.0 $j\Omega$
Return Loss	- 23.9 dB

General Antenna Parameters and Design

Electrical Delay (one direction)	1.195 ns
----------------------------------	----------

After long term use with 100W radiated power, only a slight warming of the dipole near the feedpoint can be measured.

The dipole is made of standard semirigid coaxial cable. The center conductor of the feeding line is directly connected to the second arm of the dipole. The antenna is therefore short-circuited for DC-signals. On some of the dipoles, small end caps are added to the dipole arms in order to improve matching when loaded according to the position as explained in the "Measurement Conditions" paragraph. The SAR data are not affected by this change. The overall dipole length is still according to the Standard.

No excessive force must be applied to the dipole arms, because they might bend or the soldered connections near the feedpoint may be damaged.

Additional EUT Data

Manufactured by	SPEAG
-----------------	-------

Test Laboratory: SPEAG, Zurich, Switzerland

DUT: Dipole D5GHzV2; Type: D5GHzV2; Serial: D5GHzV2 - SN:1113

Communication System: UID 0 - CW; Frequency: 5250 MHz, Frequency: 5600 MHz,
Frequency: 5750 MHz

Medium parameters used: $f = 5250$ MHz; $\sigma = 4.53$ S/m; $\epsilon_r = 35.1$; $\rho = 1000$ kg/m³,

Medium parameters used: $f = 5600$ MHz; $\sigma = 4.88$ S/m; $\epsilon_r = 34.6$; $\rho = 1000$ kg/m³,

Medium parameters used: $f = 5750$ MHz; $\sigma = 5.03$ S/m; $\epsilon_r = 34.4$; $\rho = 1000$ kg/m³

Phantom section: Flat Section

Measurement Standard: DASY5 (IEEE/IEC/ANSI C63.19-2011)

DASY52 Configuration:

- Probe: EX3DV4 - SN3503; ConvF(5.4, 5.4, 5.4) @ 5250 MHz, ConvF(4.95, 4.95, 4.95) @ 5600 MHz, ConvF(4.98, 4.98, 4.98) @ 5750 MHz; Calibrated: 25.03.2019
- Sensor-Surface: 1.4mm (Mechanical Surface Detection)
- Electronics: DAE4 Sn601; Calibrated: 30.04.2019
- Phantom: Flat Phantom 5.0 (front); Type: QD 000 P50 AA; Serial: 1001
- DASY52 52.10.2(1504); SEMCAD X 14.6.12(7470)

Dipole Calibration for Head Tissue/Pin=100mW, dist=10mm, f=5250 MHz/Zoom Scan,

dist=1.4mm (8x8x7)/Cube 0: Measurement grid: dx=4mm, dy=4mm, dz=1.4mm

Reference Value = 78.54 V/m; Power Drift = 0.01 dB

Peak SAR (extrapolated) = 27.9 W/kg

SAR(1 g) = 8.09 W/kg; SAR(10 g) = 2.33 W/kg

Maximum value of SAR (measured) = 18.1 W/kg

Dipole Calibration for Head Tissue/Pin=100mW, dist=10mm, f=5600 MHz/Zoom Scan,

dist=1.4mm (8x8x7)/Cube 0: Measurement grid: dx=4mm, dy=4mm, dz=1.4mm

Reference Value = 78.00 V/m; Power Drift = 0.02 dB

Peak SAR (extrapolated) = 31.1 W/kg

SAR(1 g) = 8.40 W/kg; SAR(10 g) = 2.40 W/kg

Maximum value of SAR (measured) = 19.4 W/kg

Dipole Calibration for Head Tissue/Pin=100mW, dist=10mm, f=5750 MHz/Zoom Scan,

dist=1.4mm (8x8x7)/Cube 0: Measurement grid: dx=4mm, dy=4mm, dz=1.4mm

Reference Value = 75.13 V/m; Power Drift = 0.03 dB

Peak SAR (extrapolated) = 31.8 W/kg

SAR(1 g) = 8.06 W/kg; SAR(10 g) = 2.30 W/kg

Maximum value of SAR (measured) = 19.0 W/kg



0 dB = 18.1 W/kg = 12.58 dBW/kg

Impedance Measurement Plot for Head TSL





D5GHzV2, Serial No. 1113 Extended Dipole Calibrations

Referring to KDB 865664 D01 v01r02, if dipoles are verified in return loss ($<-20\text{dB}$, within 20% of prior calibration), and in impedance (within 5 ohm of prior calibration), the annual calibration is not necessary and the calibration interval can be extended.

D5GHzV2 – serial no. 1113						
5250 Head						
Date of Measurement	Return-Loss (dB)	Delta (%)	Real Impedance (ohm)	Delta (ohm)	Imaginary Impedance (ohm)	Delta (ohm)
2019.9.24	-24.05		51.71		-6.16	
2020.9.23	-24.80	-0.03	50.56	1.15	-5.94	-0.22

D5GHzV2 – serial no. 1113						
5600 Head						
Date of Measurement	Return-Loss (dB)	Delta (%)	Real Impedance (ohm)	Delta (ohm)	Imaginary Impedance (ohm)	Delta (ohm)
2019.9.24	-24.09		56.04		-2.71	
2020.9.23	-23.95	0.01	57.70	-1.66	-2.85	0.14

D5GHzV2 – serial no. 1113						
5750 Head						
Date of Measurement	Return-Loss (dB)	Delta (%)	Real Impedance (ohm)	Delta (ohm)	Imaginary Impedance (ohm)	Delta (ohm)
2019.9.24	-23.94		56.70		-1.04	
2020.9.23	-21.92	0.08	58.56	-1.86	-1.58	0.54

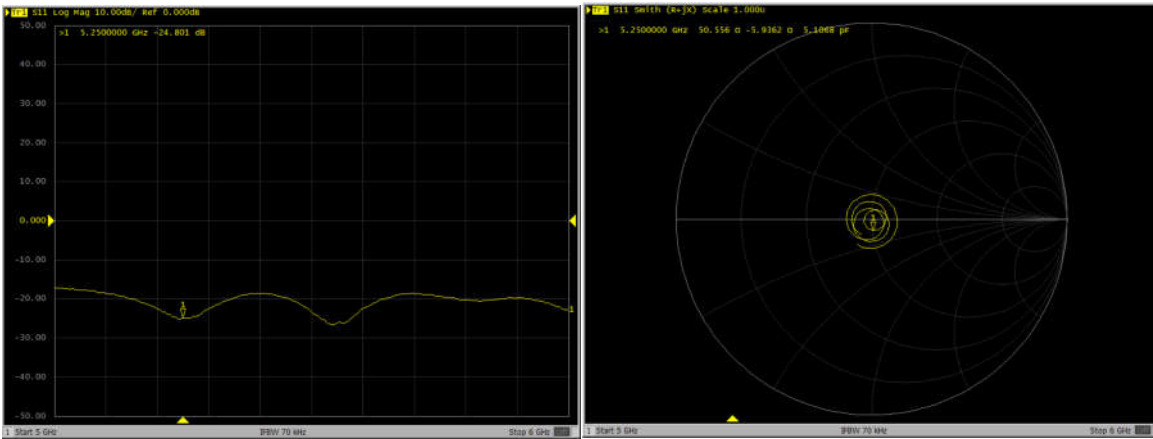
<Justification of the extended calibration>

The return loss is $<-20\text{dB}$, within 20% of prior calibration; the impedance is within 5 ohm of prior calibration. Therefore the verification result should support extended calibration.

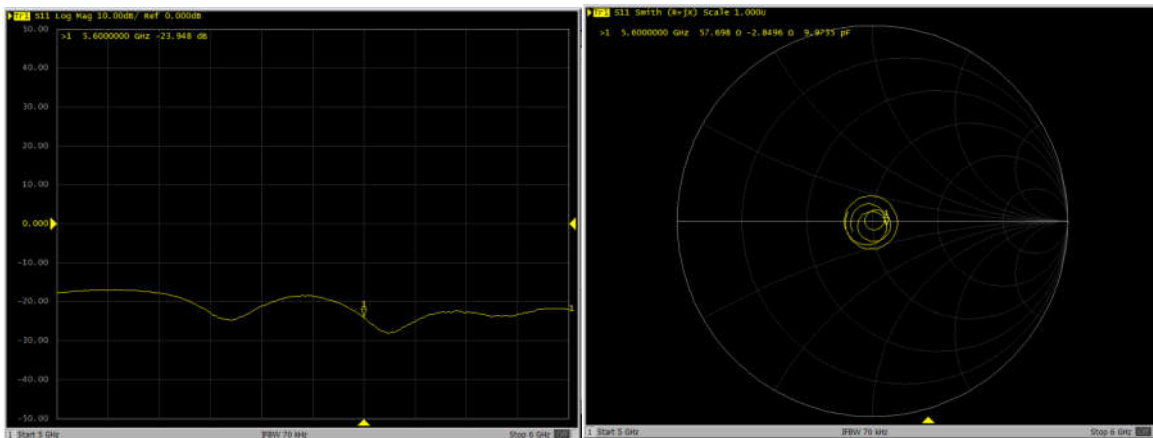


Dipole Verification Data> D3700V2, serial no. 1008

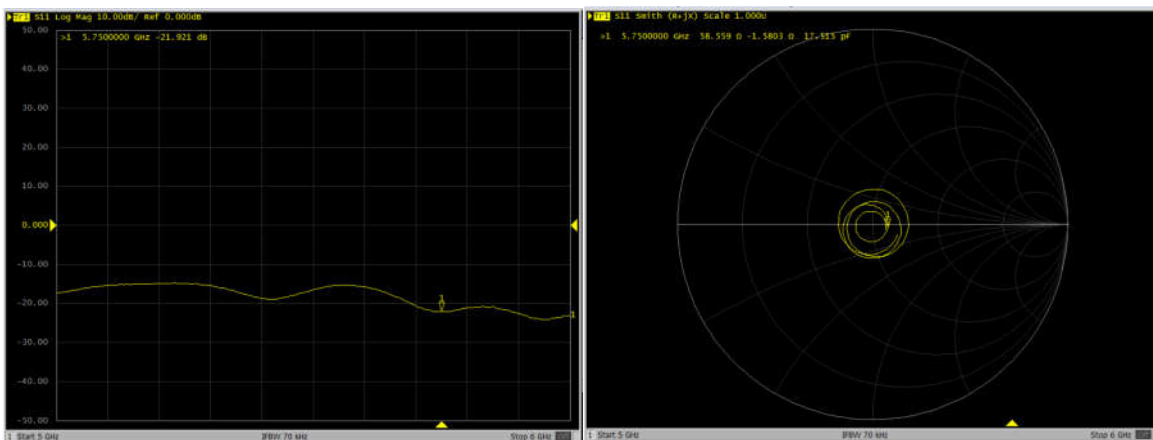
5250MHz – Head



5600MHz – Head



5750MHz – Head





Accredited by the Swiss Accreditation Service (SAS)
The Swiss Accreditation Service is one of the signatories to the EA
Multilateral Agreement for the recognition of calibration certificates

Accreditation No.: **SCS 0108**

Client **Sporton**

Certificate No: **DAE4-1358_Apr20**

CALIBRATION CERTIFICATE

Object **DAE4 - SD 000 D04 BN - SN: 1358**

Calibration procedure(s) **QA CAL-06.v30
Calibration procedure for the data acquisition electronics (DAE)**

Calibration date: **April 28, 2020**

This calibration certificate documents the traceability to national standards, which realize the physical units of measurements (SI).
The measurements and the uncertainties with confidence probability are given on the following pages and are part of the certificate.

All calibrations have been conducted in the closed laboratory facility: environment temperature (22 ± 3)°C and humidity < 70%.

Calibration Equipment used (M&TE critical for calibration)

Primary Standards	ID #	Cal Date (Certificate No.)	Scheduled Calibration
Keithley Multimeter Type 2001	SN: 0810278	03-Sep-19 (No:25949)	Sep-20
Secondary Standards	ID #	Check Date (in house)	Scheduled Check
Auto DAE Calibration Unit	SE UWS 053 AA 1001	09-Jan-20 (in house check)	In house check: Jan-21
Calibrator Box V2.1	SE UMS 006 AA 1002	09-Jan-20 (in house check)	In house check: Jan-21

Calibrated by:	Name Eric Hainfeld	Function Laboratory Technician	Signature
Approved by:	Sven Kühn	Deputy Manager	

Issued: April 29, 2020

This calibration certificate shall not be reproduced except in full without written approval of the laboratory.



Accredited by the Swiss Accreditation Service (SAS)

The Swiss Accreditation Service is one of the signatories to the EA
Multilateral Agreement for the recognition of calibration certificates

Accreditation No.: **SCS 0108**

Glossary

DAE	data acquisition electronics
Connector angle	information used in DASY system to align probe sensor X to the robot coordinate system.

Methods Applied and Interpretation of Parameters

- *DC Voltage Measurement*: Calibration Factor assessed for use in DASY system by comparison with a calibrated instrument traceable to national standards. The figure given corresponds to the full scale range of the voltmeter in the respective range.
- *Connector angle*: The angle of the connector is assessed measuring the angle mechanically by a tool inserted. Uncertainty is not required.
- The following parameters as documented in the Appendix contain technical information as a result from the performance test and require no uncertainty.
 - *DC Voltage Measurement Linearity*: Verification of the Linearity at +10% and -10% of the nominal calibration voltage. Influence of offset voltage is included in this measurement.
 - *Common mode sensitivity*: Influence of a positive or negative common mode voltage on the differential measurement.
 - *Channel separation*: Influence of a voltage on the neighbor channels not subject to an input voltage.
 - *AD Converter Values with inputs shorted*: Values on the internal AD converter corresponding to zero input voltage
 - *Input Offset Measurement*: Output voltage and statistical results over a large number of zero voltage measurements.
 - *Input Offset Current*: Typical value for information; Maximum channel input offset current, not considering the input resistance.
 - *Input resistance*: Typical value for information: DAE input resistance at the connector, during internal auto-zeroing and during measurement.
 - *Low Battery Alarm Voltage*: Typical value for information. Below this voltage, a battery alarm signal is generated.
 - *Power consumption*: Typical value for information. Supply currents in various operating modes.

DC Voltage Measurement

A/D - Converter Resolution nominal

High Range: 1LSB = 6.1 μ V , full range = -100...+300 mV

Low Range: 1LSB = 61nV , full range = -1.....+3mV

DASY measurement parameters: Auto Zero Time: 3 sec; Measuring time: 3 sec

Calibration Factors	X	Y	Z
High Range	403.411 \pm 0.02% (k=2)	403.452 \pm 0.02% (k=2)	403.463 \pm 0.02% (k=2)
Low Range	3.96158 \pm 1.50% (k=2)	3.98747 \pm 1.50% (k=2)	3.99174 \pm 1.50% (k=2)

Connector Angle

Connector Angle to be used in DASY system	113.5 $^{\circ}$ \pm 1 $^{\circ}$
---	-------------------------------------

Appendix (Additional assessments outside the scope of SCS0108)

1. DC Voltage Linearity

High Range	Reading (μV)	Difference (μV)	Error (%)
Channel X + Input	200024.85	-8.32	-0.00
Channel X + Input	20005.36	0.39	0.00
Channel X - Input	-20003.50	2.72	-0.01
Channel Y + Input	200030.06	-2.90	-0.00
Channel Y + Input	20004.14	-0.70	-0.00
Channel Y - Input	-20008.00	-1.63	0.01
Channel Z + Input	200034.52	1.89	0.00
Channel Z + Input	20005.02	0.16	0.00
Channel Z - Input	-20007.28	-0.87	0.00

Low Range	Reading (μV)	Difference (μV)	Error (%)
Channel X + Input	2000.94	0.03	0.00
Channel X + Input	200.94	0.01	0.01
Channel X - Input	-198.93	0.16	-0.08
Channel Y + Input	2000.58	-0.17	-0.01
Channel Y + Input	199.97	-0.81	-0.40
Channel Y - Input	-200.24	-0.99	0.50
Channel Z + Input	2000.83	0.21	0.01
Channel Z + Input	199.97	-0.67	-0.34
Channel Z - Input	-199.90	-0.63	0.32

2. Common mode sensitivity

DASY measurement parameters: Auto Zero Time: 3 sec; Measuring time: 3 sec

	Common mode Input Voltage (mV)	High Range Average Reading (μV)	Low Range Average Reading (μV)
Channel X	200	23.26	21.16
	- 200	-21.29	-22.70
Channel Y	200	-27.83	-28.04
	- 200	26.48	26.49
Channel Z	200	-11.47	-11.06
	- 200	9.80	9.70

3. Channel separation

DASY measurement parameters: Auto Zero Time: 3 sec; Measuring time: 3 sec

	Input Voltage (mV)	Channel X (μV)	Channel Y (μV)	Channel Z (μV)
Channel X	200	-	1.92	-3.40
Channel Y	200	8.27	-	3.32
Channel Z	200	9.47	5.42	-