

# Wireless charger

## User Manual



---

### Contents

1.0 INTRODUCTION.....	1
2.0 FEATURES .....	1
3.0 SPECIFICATIONS.....	2
4.0 PACKAGE CONTENTS .....	2
5.0 PRODUCT SHOW .....	3
6.0 OPERATION .....	3

# Wireless charger

## DEAR CUSTOMER

Thank you for purchasing this product. For optimum performance and safety, please read these instructions carefully before connecting, operating or using this product. Please keep this manual for future reference.

## 1.0 INTRODUCTION

The fashion design, the TYPE - C - PD charging input design, this product keep your digital devices. it supports the magnetic suction wireless charging output, specifically for your business travel, meetings, adventure, camping, or travel and so on.

## 2.0 FEATURES

- TYPE-C-PD Input: 9V/3A 12V/2.5A 15V/2A
- Outputs:
  - Output1: 5W/15W
  - Output2: 5W
  - Output3: 5V/1A
- Total output:25W
- Input under-voltage protection
- Output over-current protection

### 3.0 SPECIFICATIONS

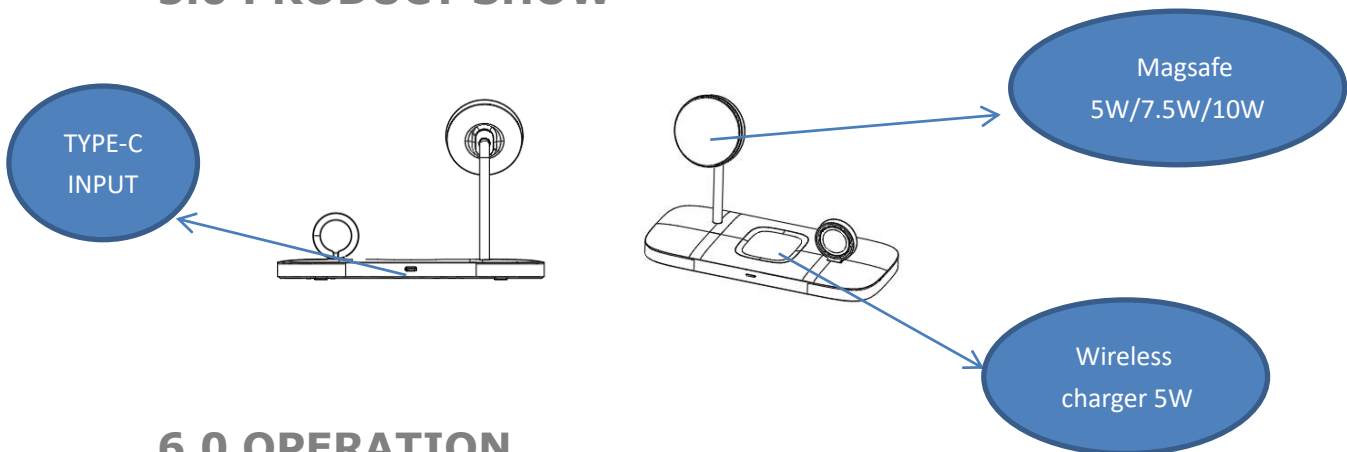
Input	TYPE-C-PD: 9V/3A,12V/2.5A/,15V2A
Output1	Wireless charger 5W/15W
Output2	Wireless charger 5W
Output3	5V/1A
Over Current Protection	Yes
Over Voltage Protection	Yes
Short circuit Protection	Yes
Over Temperature Protection	Yes
Ripple And Noise	≤200mVp-p@9V/12V/15V
Operating Temperature Range	0~ 40°C
Storage Temperature Range	-5~45°C
Operating Humidity	20~90%RH
Storage Humidity	45~85%RH
Color	White
Size(L*W*H)	207.3*92.8*139.7
Weight	305g± 10g
Efficiency	≥85%
User Manual	English Version

### 4.0 PACKAGE CONTENTS

Before attempting to use this unit, please check the packaging and make sure the following items are contained in the shipping carton:

- Main unit×1
- User Manual×1

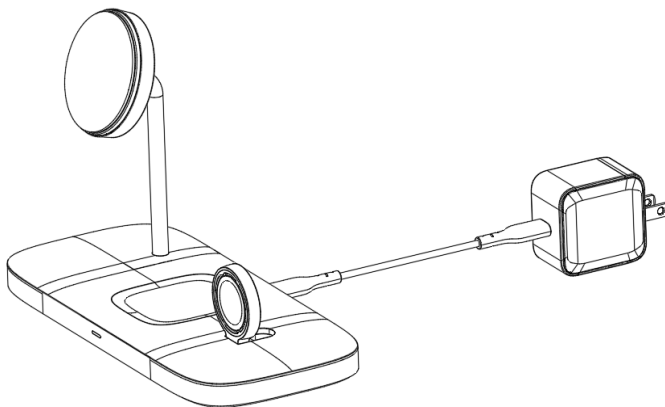
## 5.0 PRODUCT SHOW



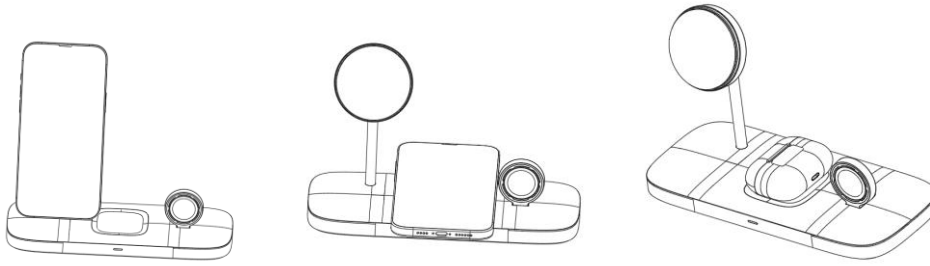
## 6.0 OPERATION

### Operation Procedures

- a) Charge the power bank
- Connected to the charger



- b) Charge the devices



**Note:**

**Operation Notes**

1. don't let the product close to the fire, like an oven, candles and other high temperature.
2. Don't let the noise of infiltrating liquid products, such as swimming pool, bathtub, etc.
3. Do not use corrosive detergent cleaning products.
4. Do not remove, modified products.

**FCC Warning**

This device complies with Part 18 of the FCC Rules.

NOTE: Any changes or modifications to this unit not expressly approved by the party responsible for compliance could void the user's authority to operate the equipment.

Refer to FCC Part 18.213(c) and KDB 784748 Anner A section A.5:

Max. Electric Field Emissions: 5.22V/m

Max. Magnetic Field Emissions: 0.35A/m

(b) The maintenance of the system is the responsibility of the manufacturer.

(c) To prevent interference, the product should be as far away from devices operating at the same frequency as possible.

**RF exposure considerations**

This equipment complies with the FCC RF radiation exposure limits set forth for an uncontrolled environment. This equipment should be installed and operated with a minimum distance of 20cm between the radiator and any part of your body.