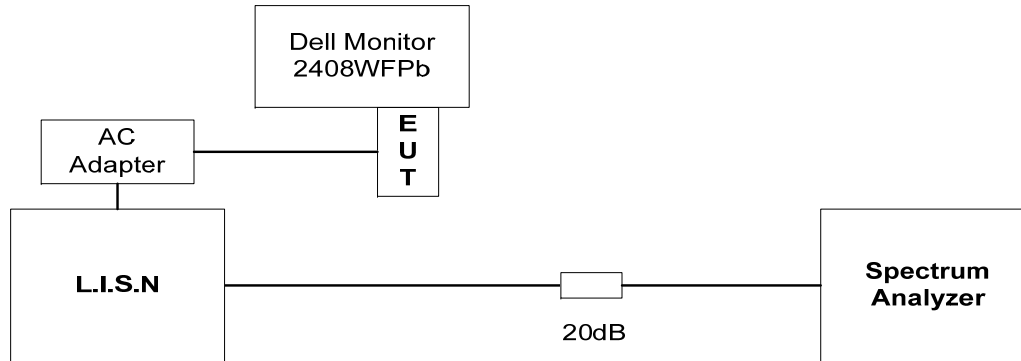


ANNEX 1 - TEST SETUP PHOTOS

Test Arrangement



ANNEX 1 - TEST SETUP PHOTOS

Power Line Conducted Emissions

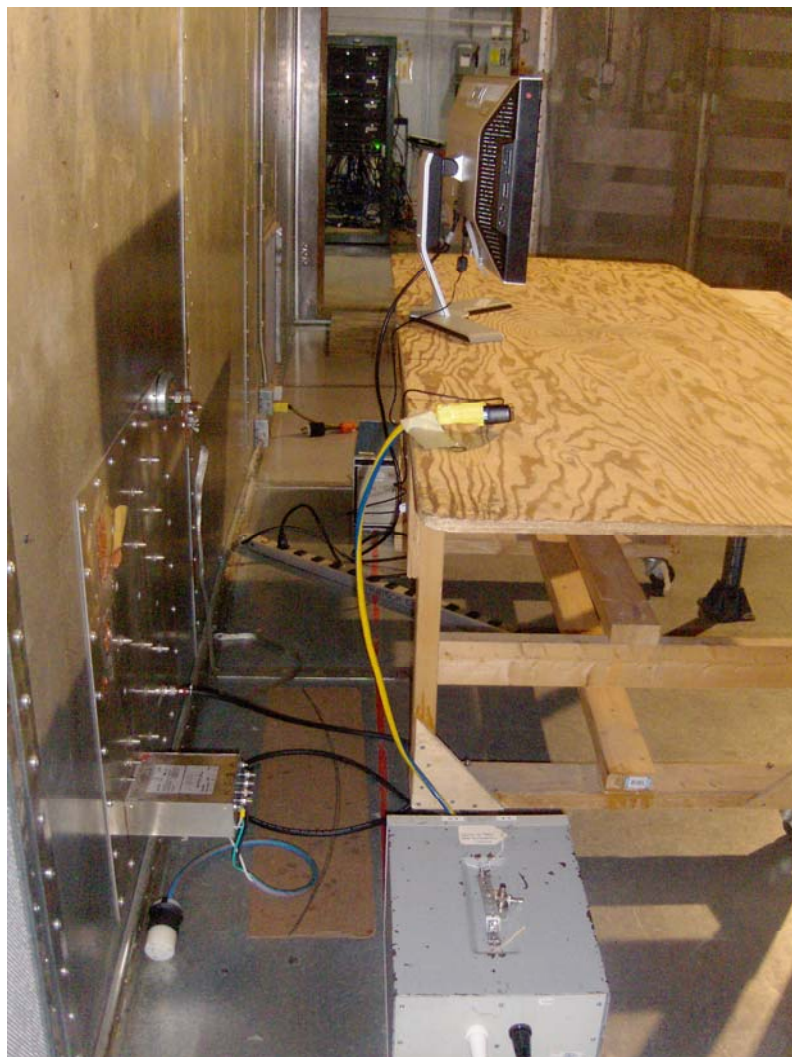


**Google Inc.
H840 DEVICE, Model H2G2-42
FCC ID: A4RH2G2-42
IC: 10395A-H2G242**

Plot #: A1 - 2

ANNEX 1 - TEST SETUP PHOTOS

Power Line Conducted Emissions

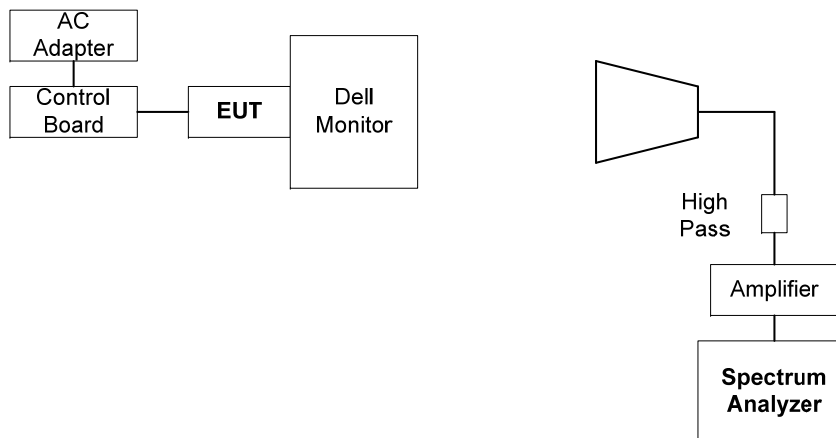


Google Inc.
H840 DEVICE, Model H2G2-42
FCC ID: A4RH2G2-42
IC: 10395A-H2G242

Plot #: A1 - 3

ANNEX 1 - TEST SETUP PHOTOS

Test Arrangement



ANNEX 1 - TEST SETUP PHOTOS

Radiated Emissions @ 3 m (For frequency below 1 GHz)

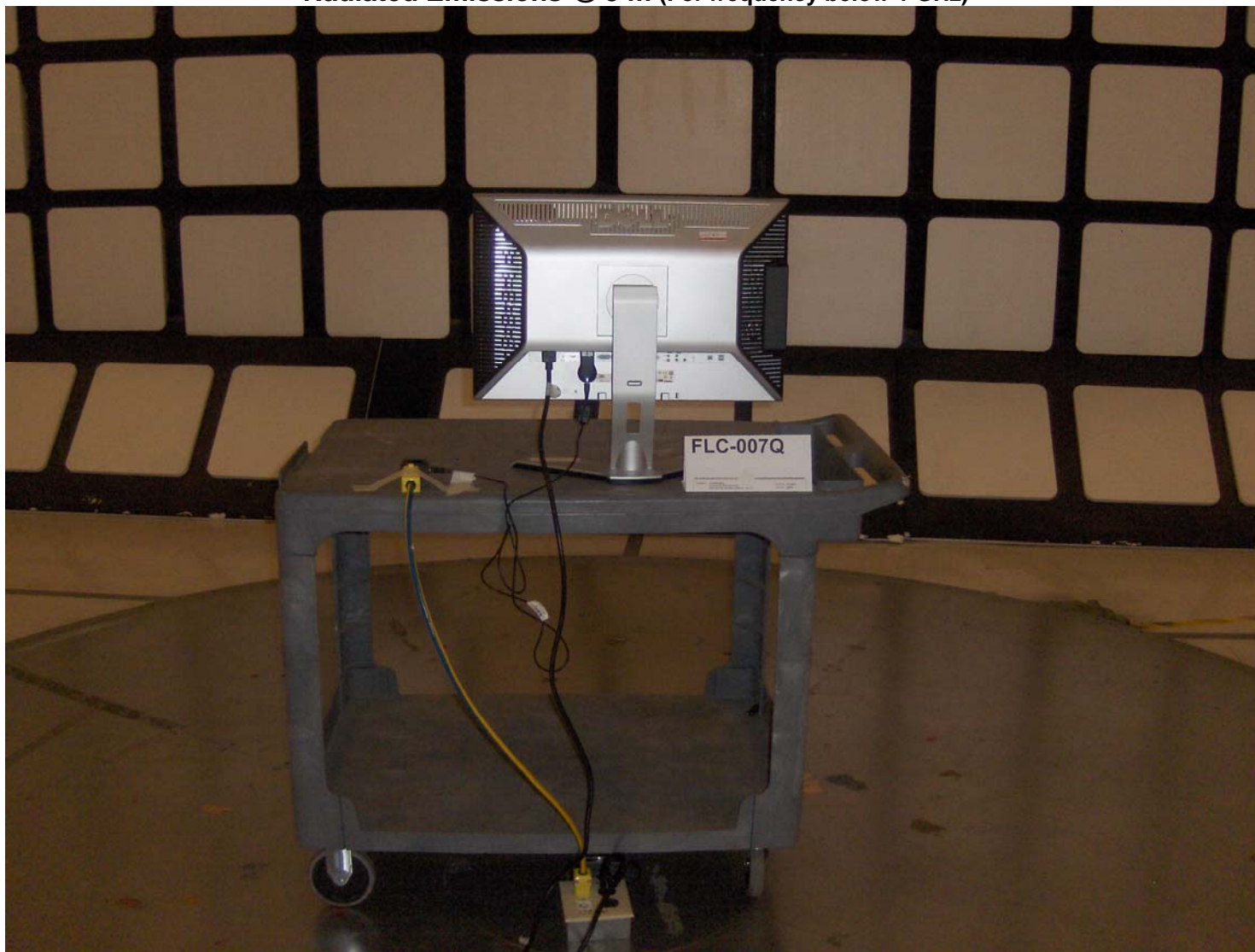


Google Inc.
H840 DEVICE, Model H2G2-42
FCC ID: A4RH2G2-42
IC: 10395A-H2G242

Plot #: A1 - 5

ANNEX 1 - TEST SETUP PHOTOS

Radiated Emissions @ 3 m (For frequency below 1 GHz)

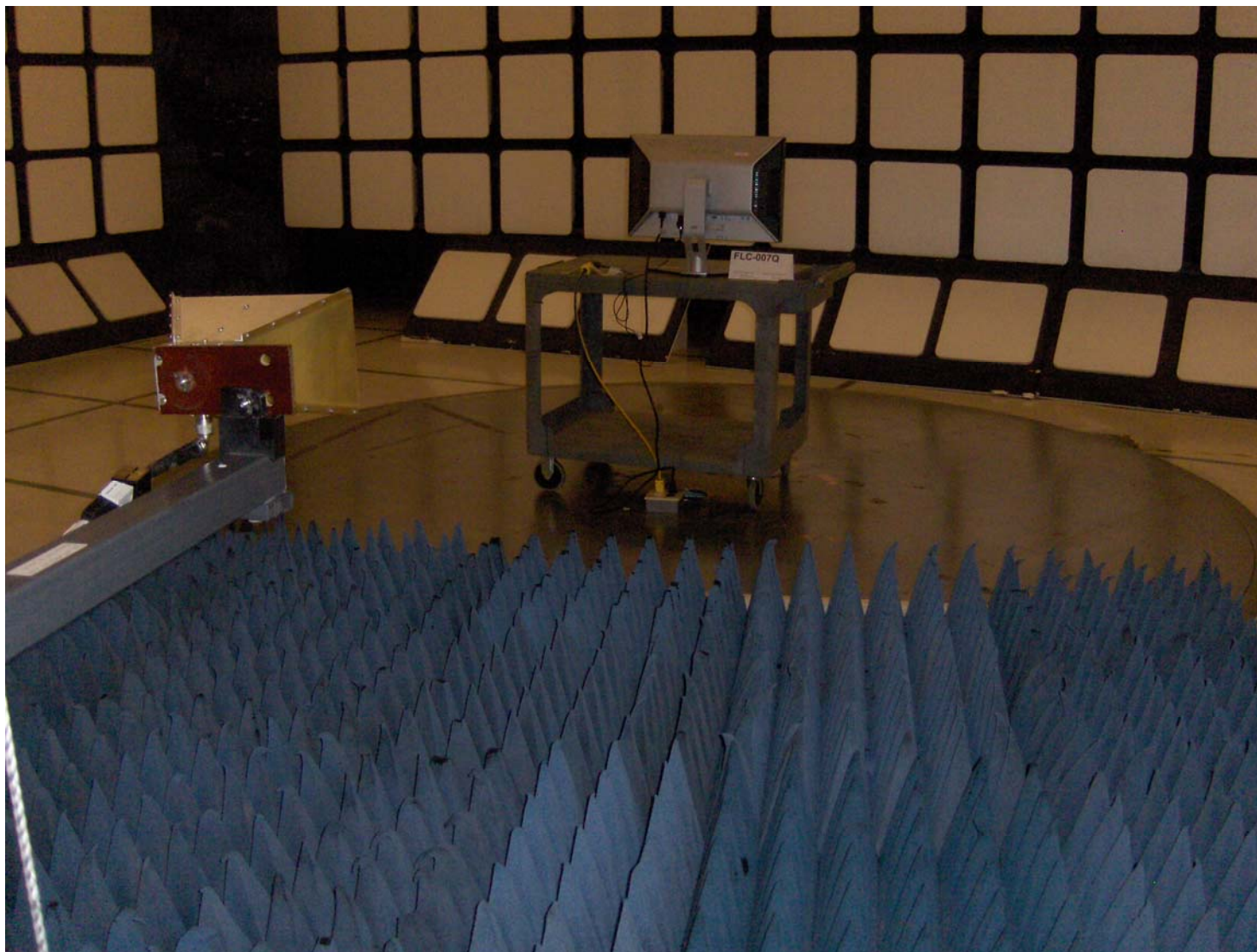


**Google Inc.
H840 DEVICE, Model H2G2-42
FCC ID: A4RH2G2-42
IC: 10395A-H2G242**

Plot #: A1 - 6

ANNEX 1 - TEST SETUP PHOTOS

Radiated Emissions @ 3 m (For frequency above 1 GHz)



Google Inc.
H840 DEVICE, Model H2G2-42
FCC ID: A4RH2G2-42
IC: 10395A-H2G242

Plot #: A1 - 7