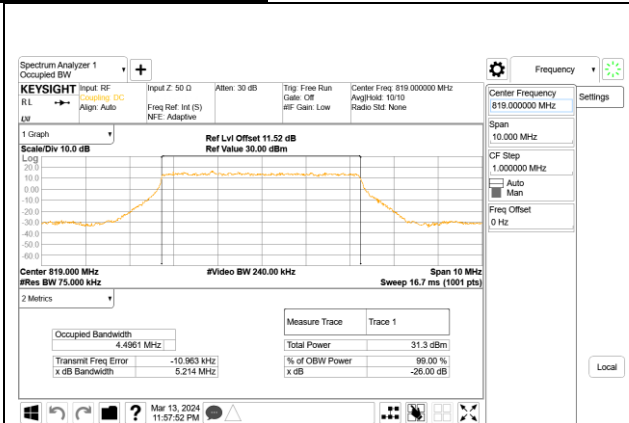
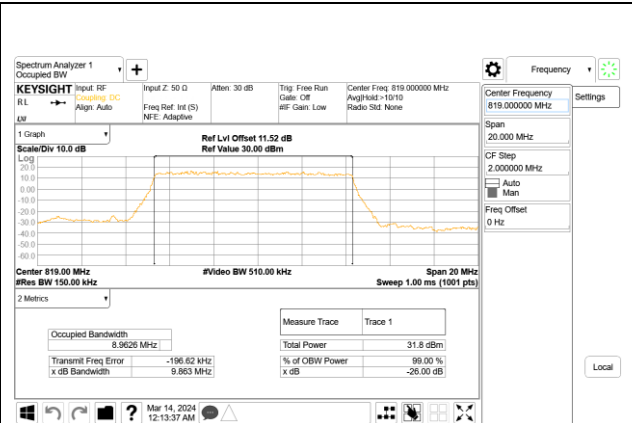


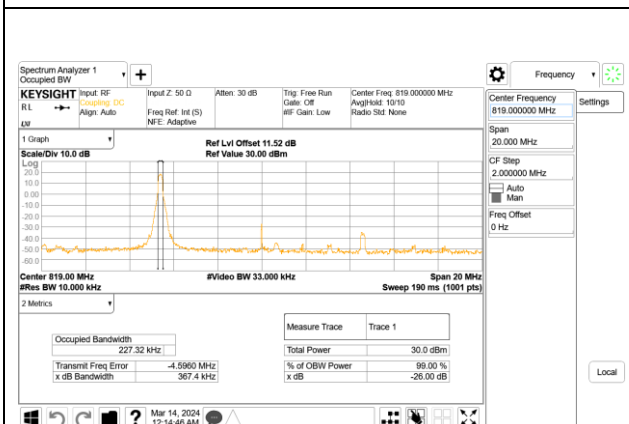
5G NR n26 (FCC PART 90S)



5G NR n26 5MHz BPSK Middle Channel RB25-0, ID:28498



5G NR n26 10MHz BPSK Middle Channel RB50-0, ID:28498

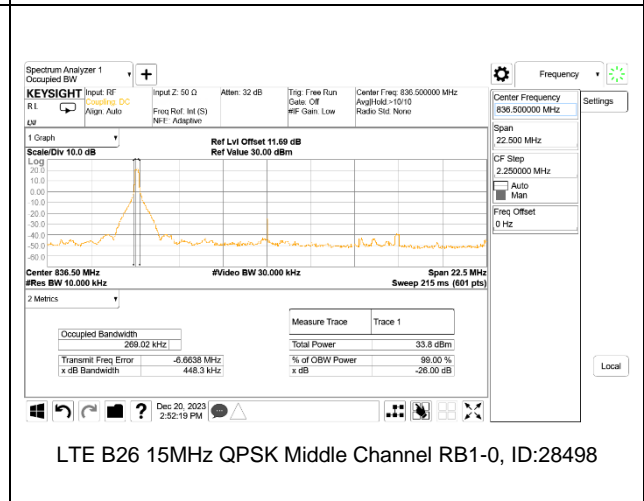
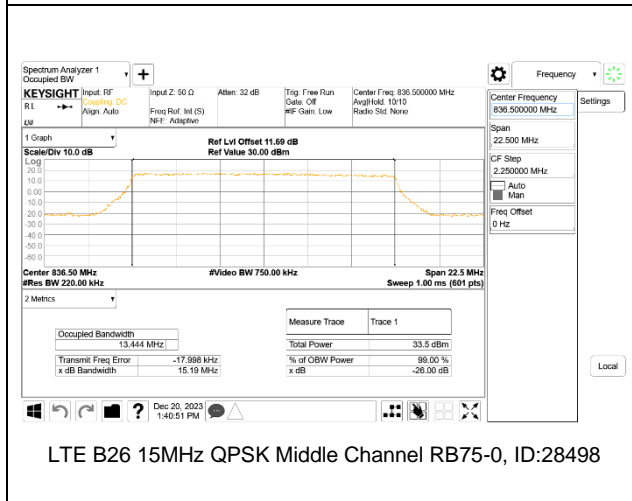
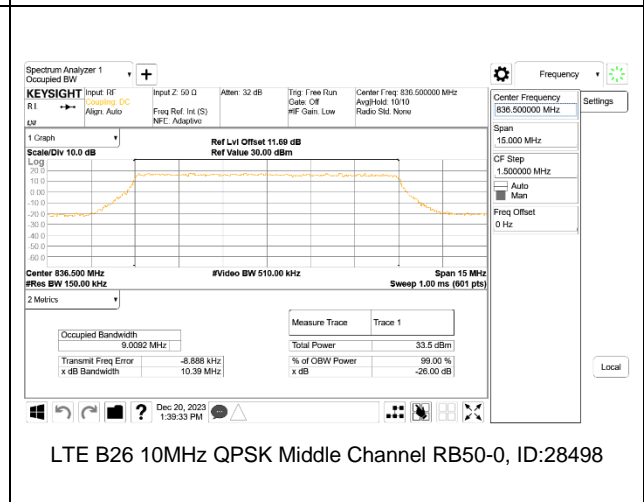
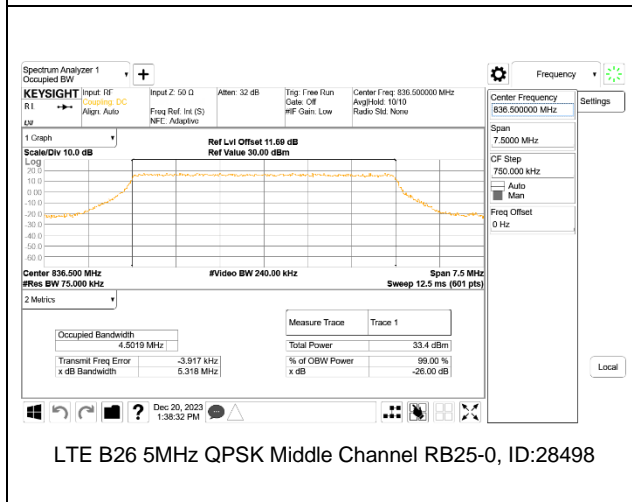
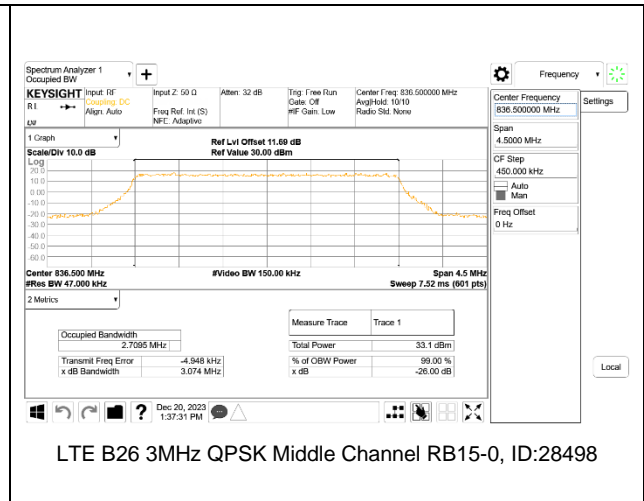
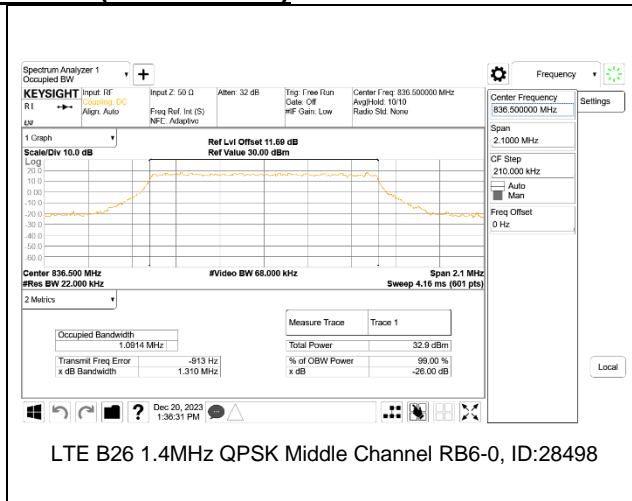


5G NR n26 10MHz BPSK Middle Channel RB1-0, ID:28498

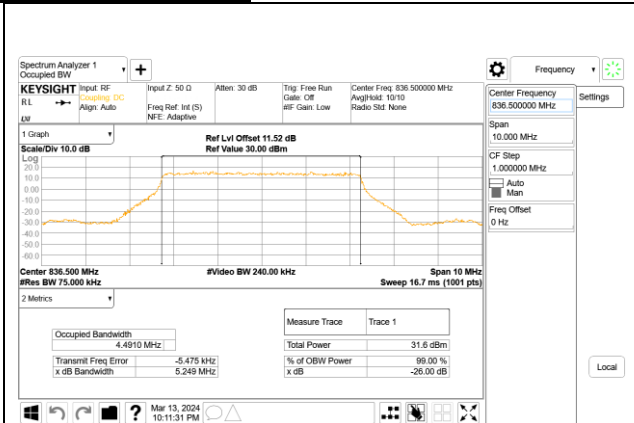
Intentionally Blank

9.1.9. LTE BAND 26 AND 5G NR n26 (FCC PART 22)

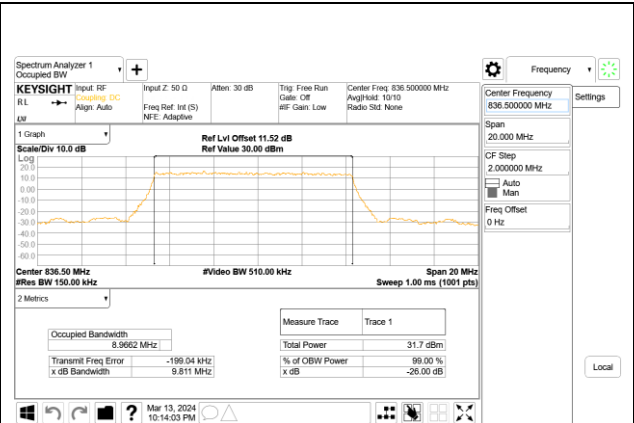
LTE BAND 26 (FCC PART 22)



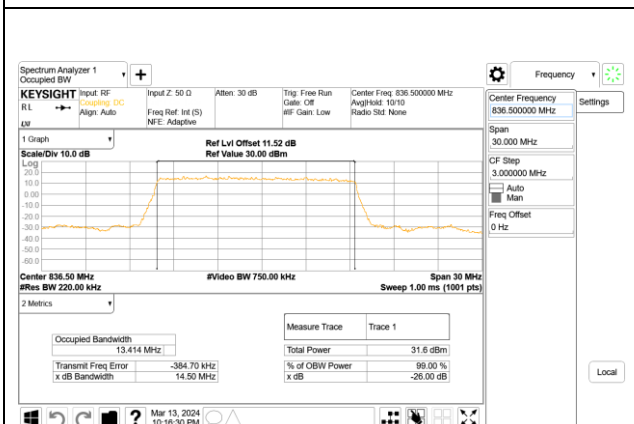
5G NR n26 (FCC PART 22)



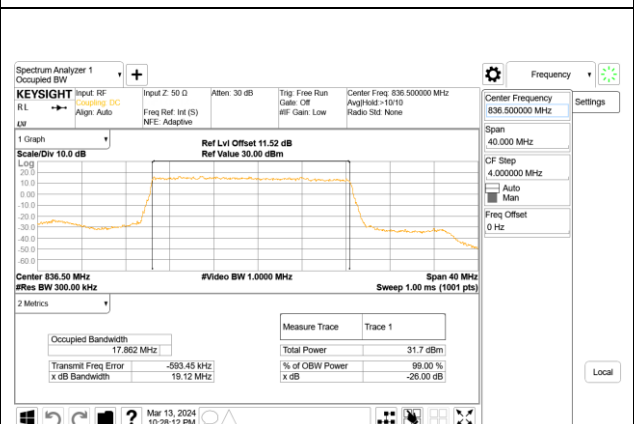
5G NR n26 5MHz BPSK Middle Channel RB25-0, ID:19210



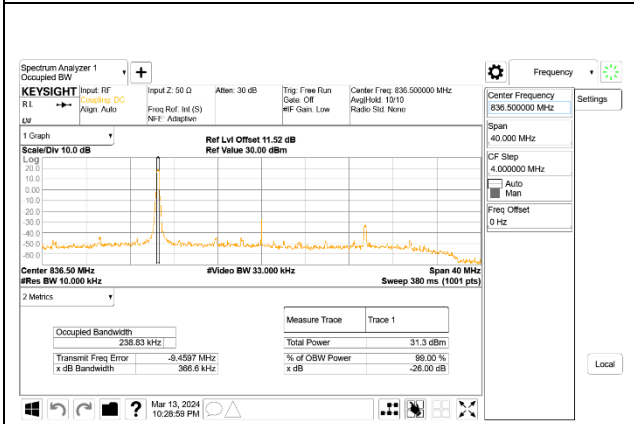
5G NR n26 10MHz BPSK Middle Channel RB50-0, ID:19210



5G NR n26 15MHz BPSK Middle Channel RB75-0, ID:19210



5G NR n26 20MHz BPSK Middle Channel RB100-0, ID:19210

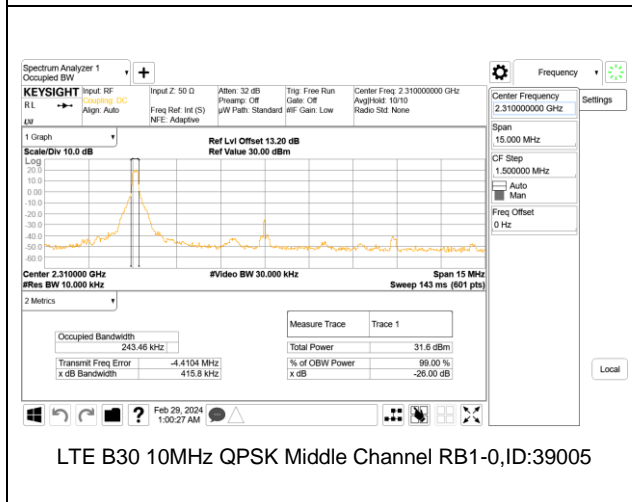
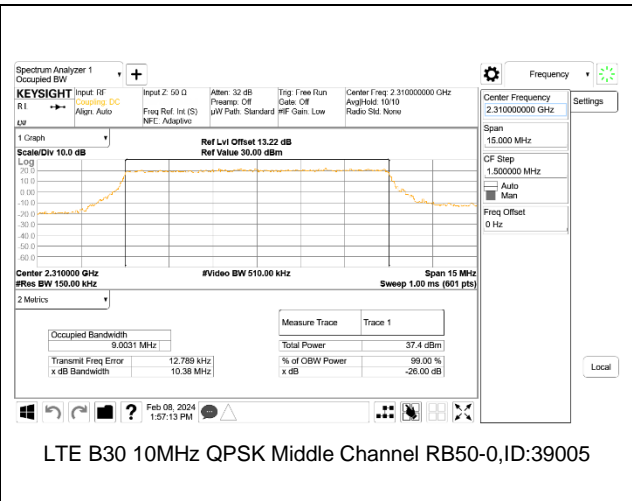
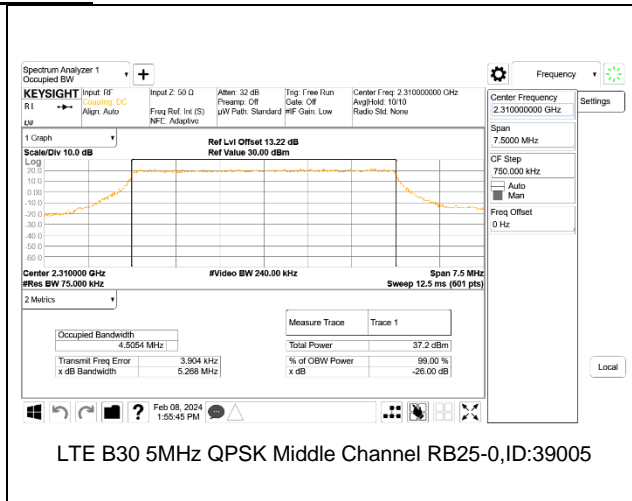


5G NR n26 20MHz Middle High Channel RB1-0, ID:19210

Intentionally Blank

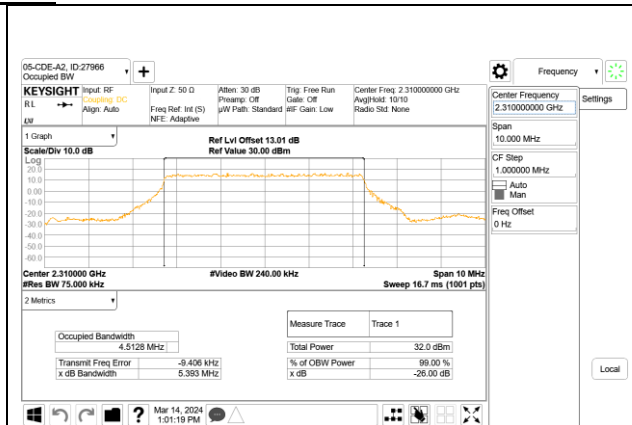
9.1.10. LTE BAND 30 AND 5G NR n30

LTE BAND 30

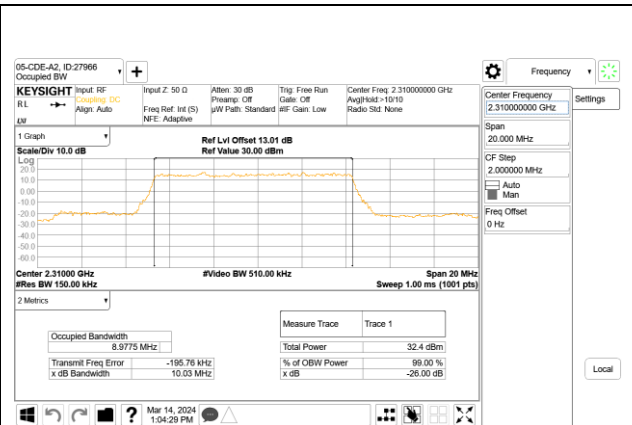


Intentionally Blank

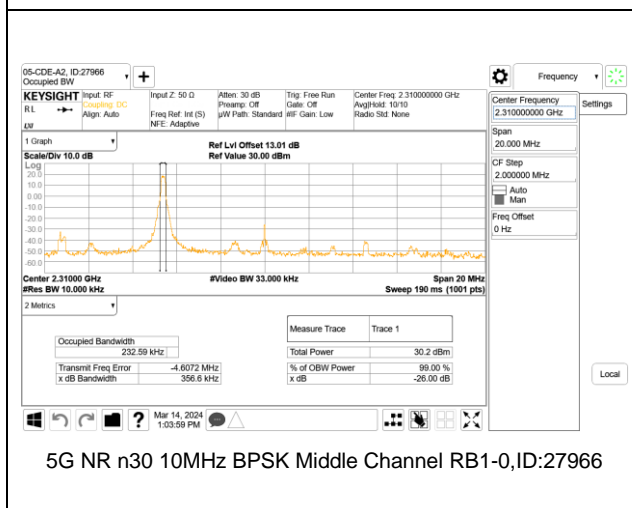
5G NR n30



5G NR n30 5MHz BPSK Middle Channel RB25-0, ID:27966



5G NR n30 10MHz BPSK Middle Channel RB50-0, ID:27966

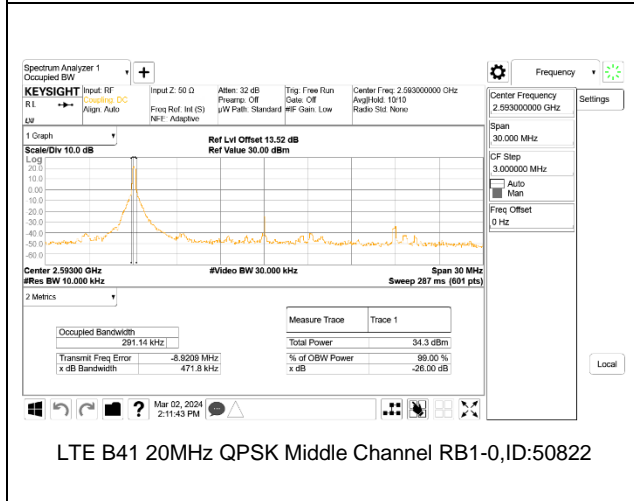
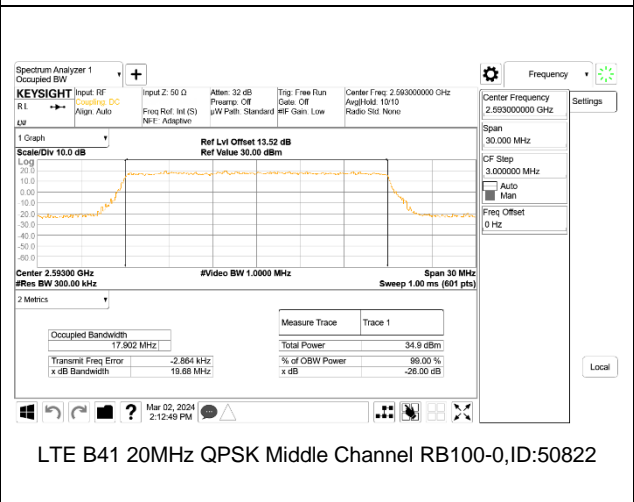
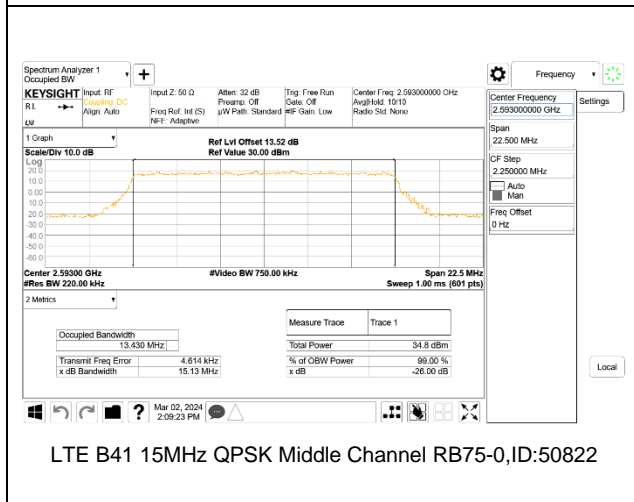
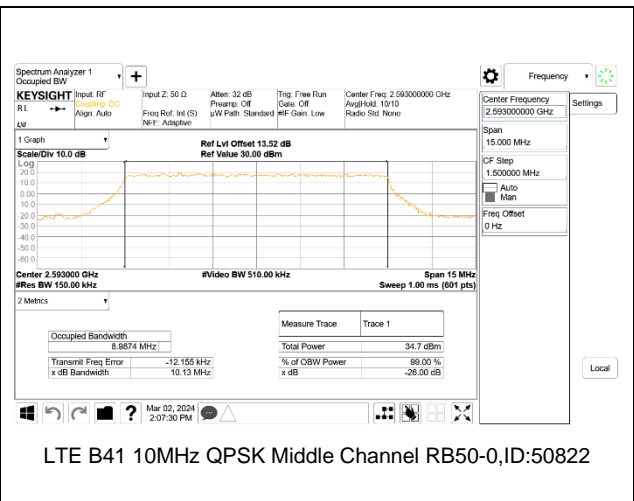
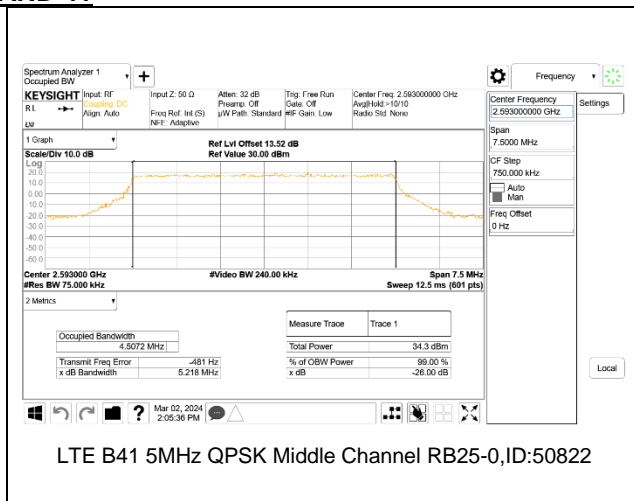


5G NR n30 10MHz BPSK Middle Channel RB1-0, ID:27966

Intentionally Blank

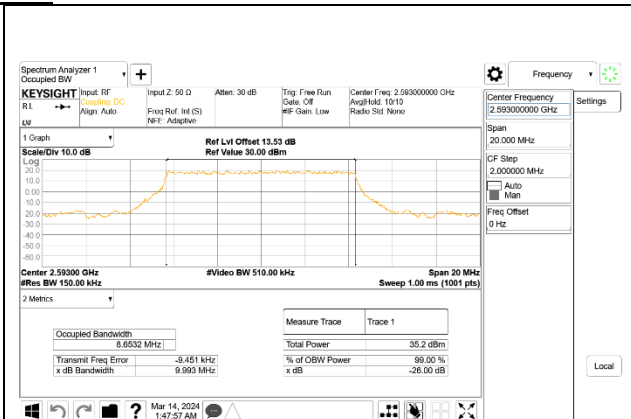
9.1.11. LTE BAND 41 AND 5G NR n41 HPUE

LTE BAND 41

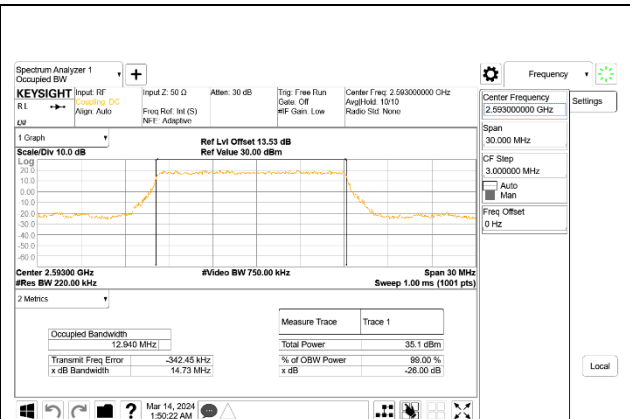


Intentionally Blank

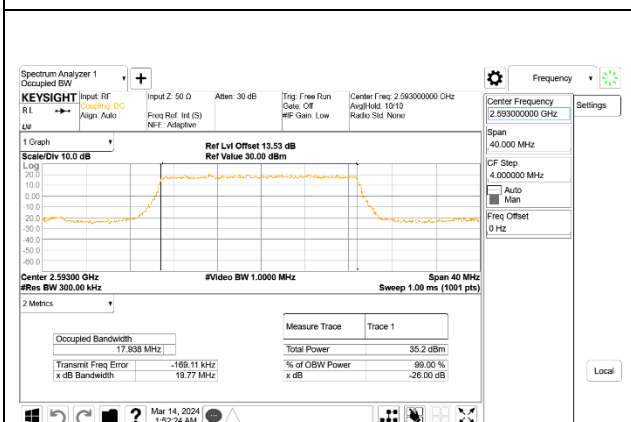
5G NR n41



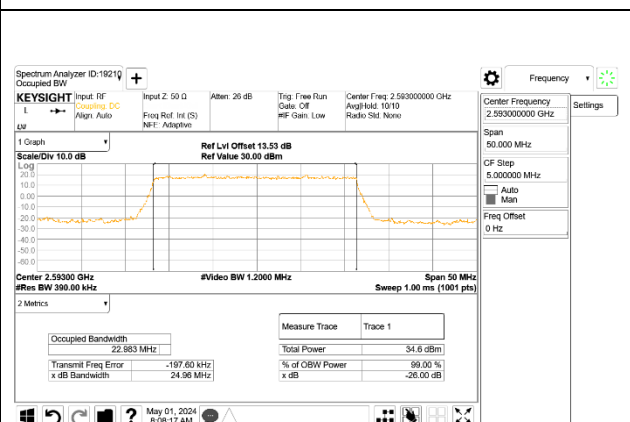
5G NR n41 10MHz BPSK Middle Channel RB24-0, ID:28498



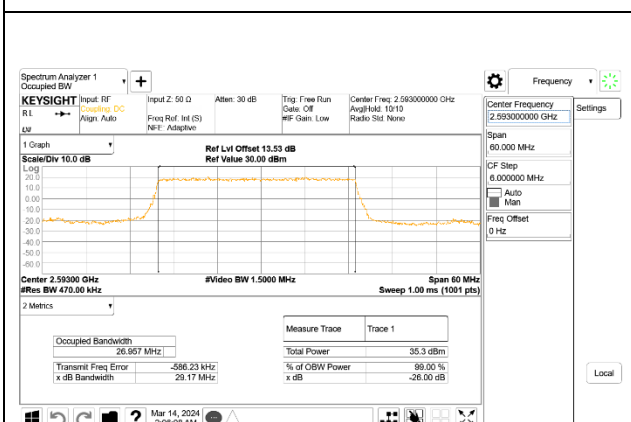
5G NR n41 15MHz BPSK Middle Channel RB36-0, ID:28498



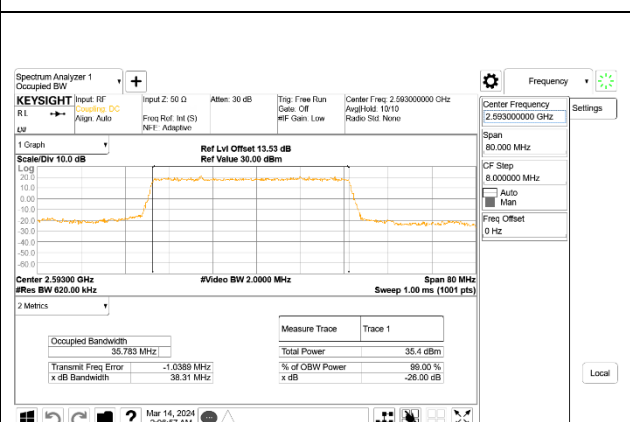
5G NR n41 20MHz BPSK Middle Channel RB50-0, ID:28498



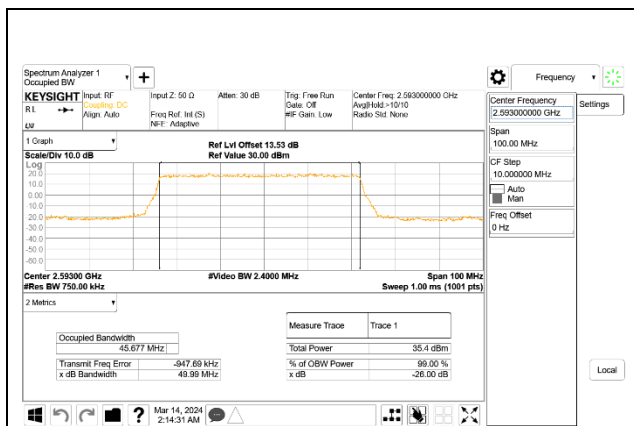
5G NR n41 25MHz BPSK Middle Channel RB50-0, ID:28498



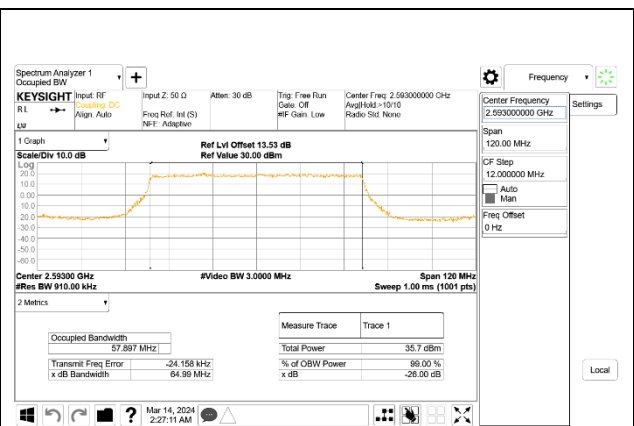
5G NR n41 30MHz BPSK Middle Channel RB75-0, ID:28498



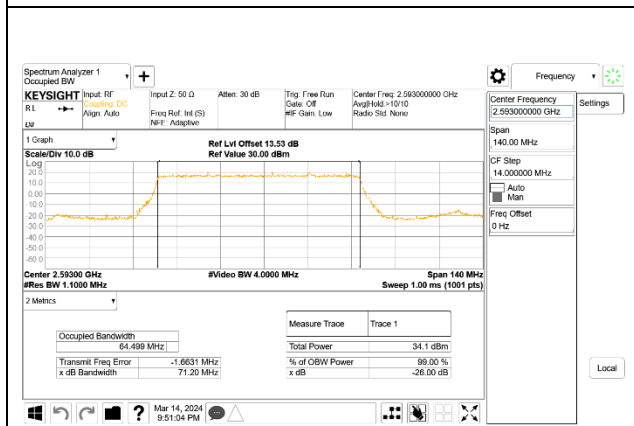
5G NR n41 40MHz BPSK Middle Channel RB100-0, ID:28498



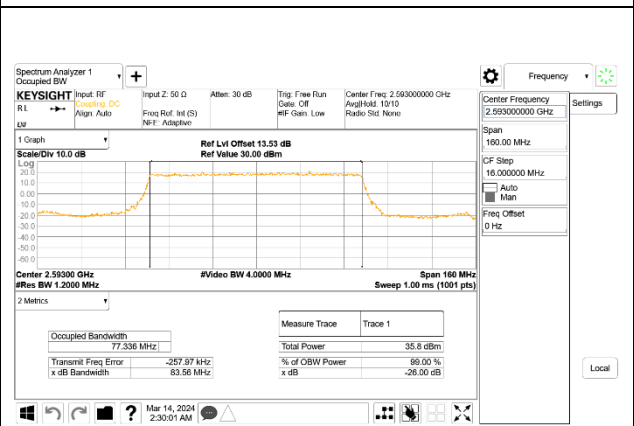
5G NR n41 50MHz BPSK Middle Channel RB128-0, ID:28498



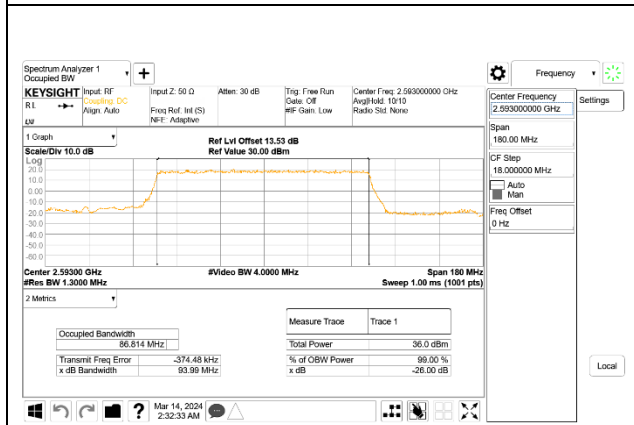
5G NR n41 60MHz BPSK Middle Channel RB162-0, ID:28498



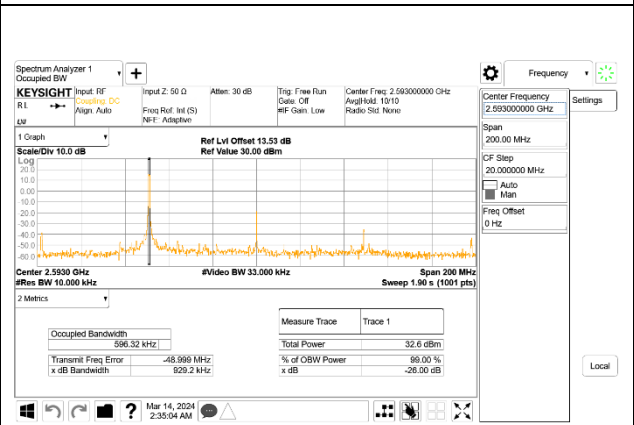
5G NR n41 70MHz BPSK Middle Channel RB180-0, ID:28498



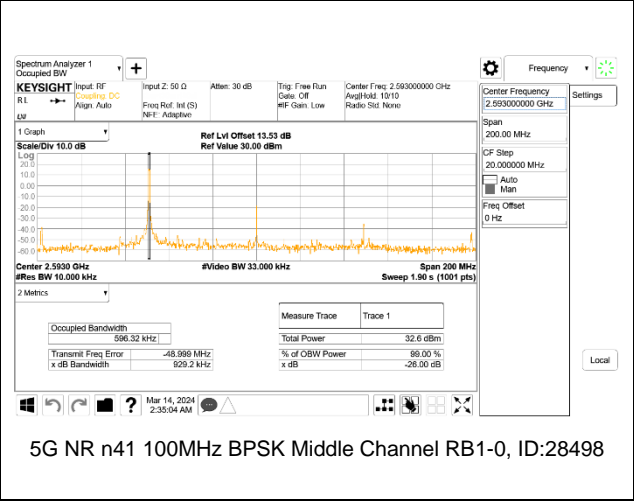
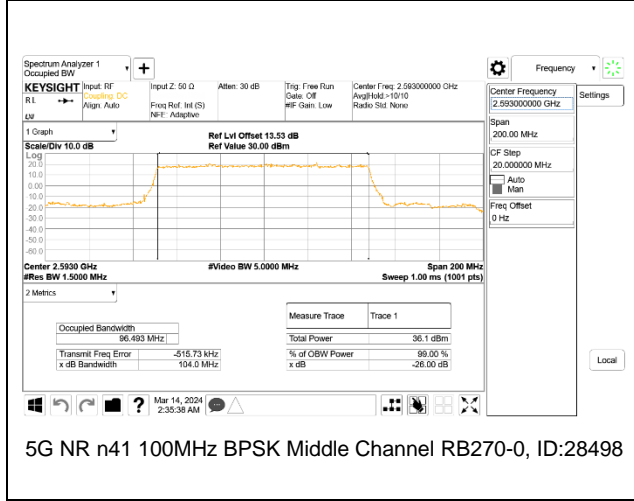
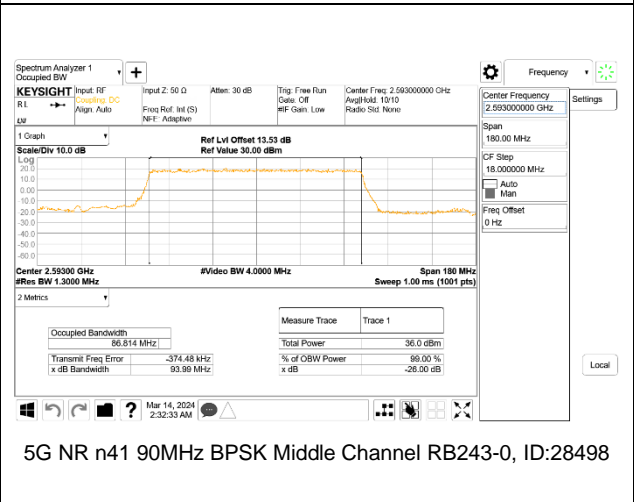
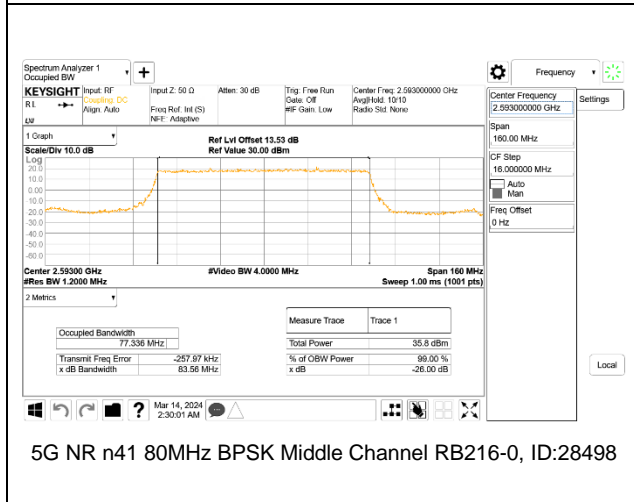
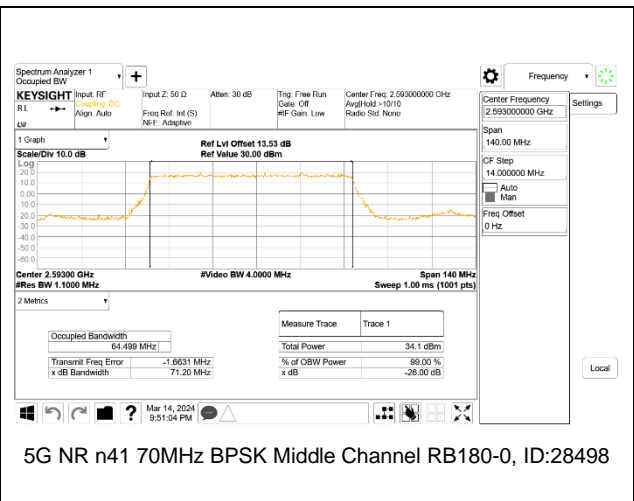
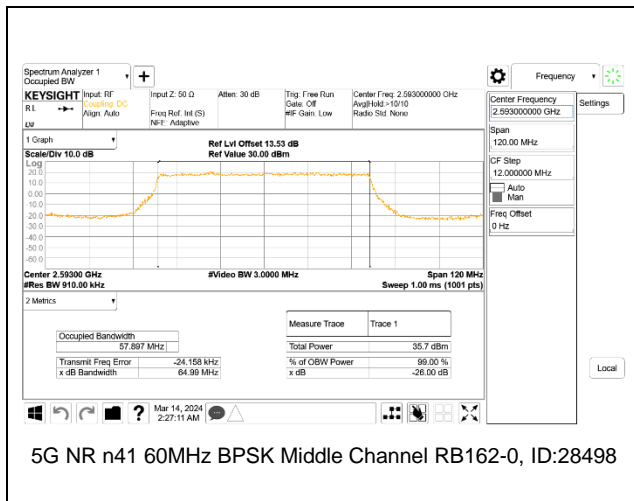
5G NR n41 80MHz BPSK Middle Channel RB216-0, ID:28498



5G NR n41 90MHz BPSK Middle Channel RB243-0, ID:28498

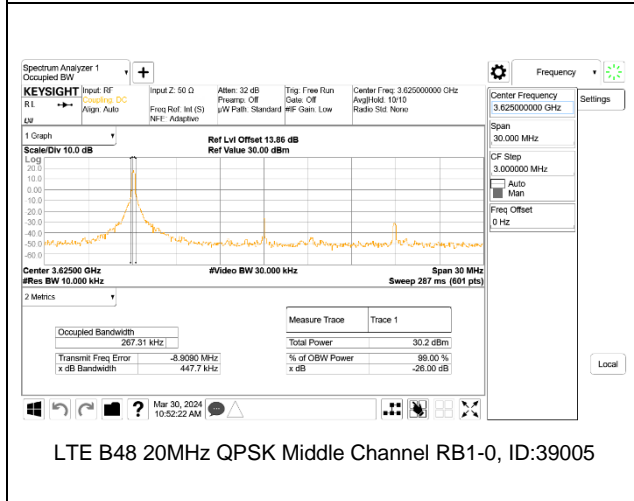
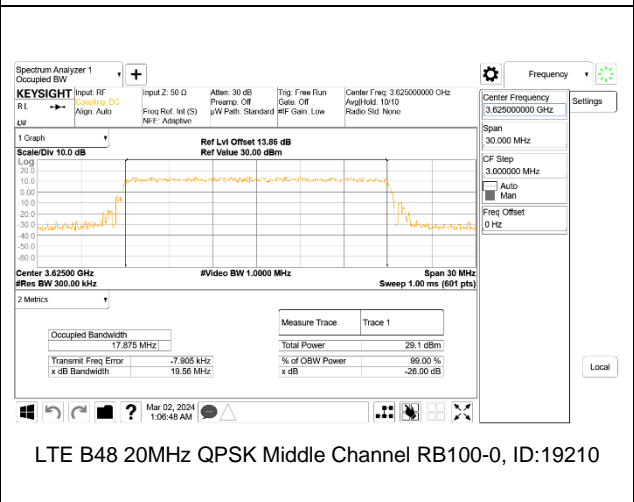
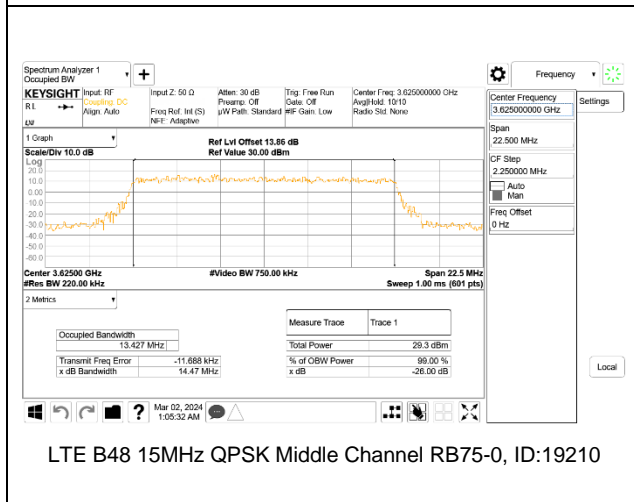
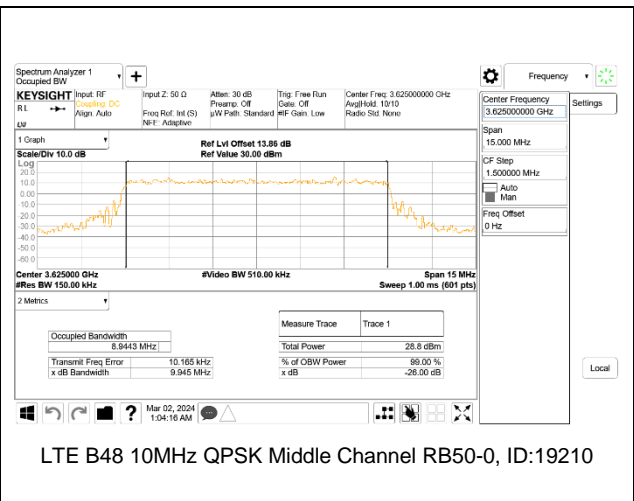
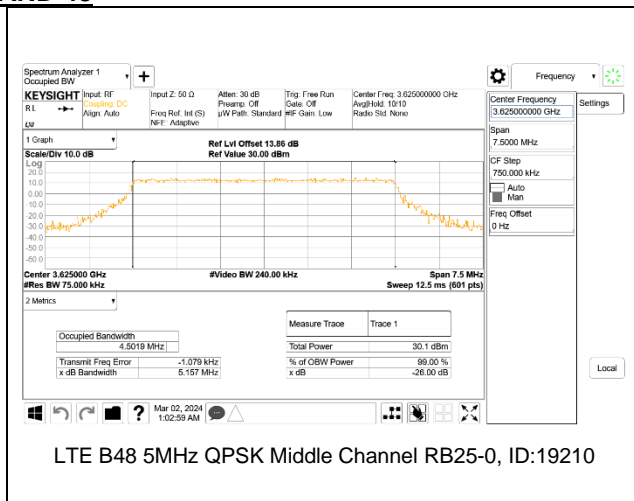


5G NR n41 100MHz BPSK Middle Channel RB1-0, ID:28498



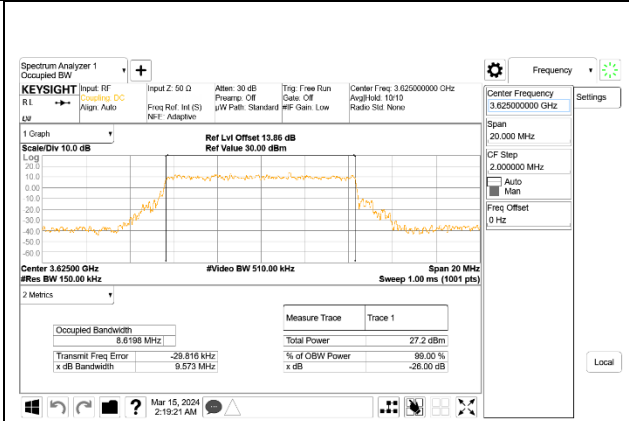
9.1.12. LTE BAND 48 AND 5G NR n48

LTE BAND 48

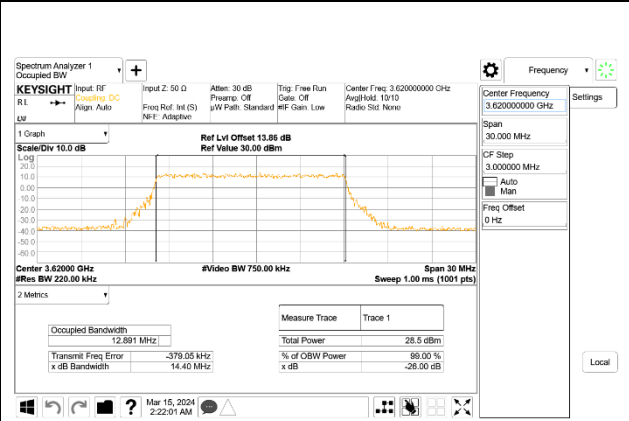


Intentionally Blank

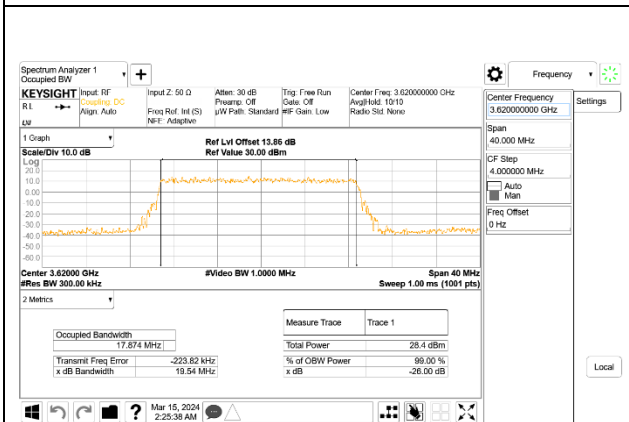
5G NR n48



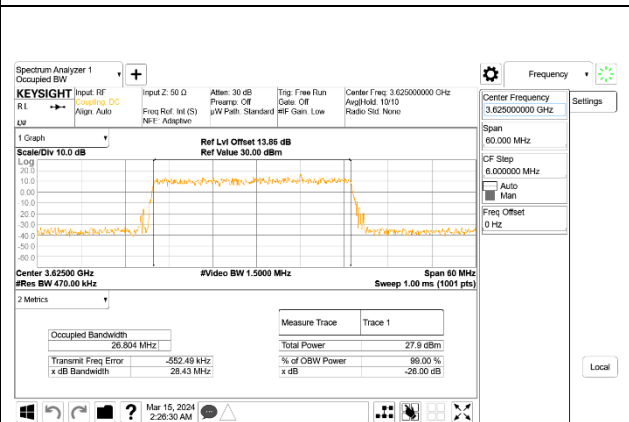
5G NR n48 10MHz BPSK Middle Channel RB24-0, ID:28498



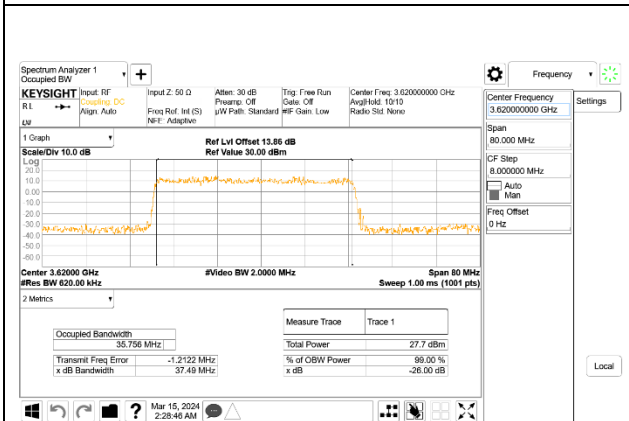
5G NR n48 15MHz BPSK Middle Channel RB36-0, ID:28498



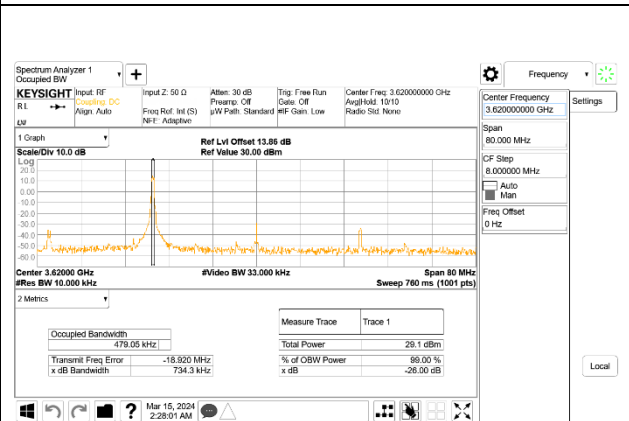
5G NR n48 20MHz BPSK Middle Channel RB50-0, ID:28498



5G NR n48 30MHz BPSK Middle Channel RB75-0, ID:28498



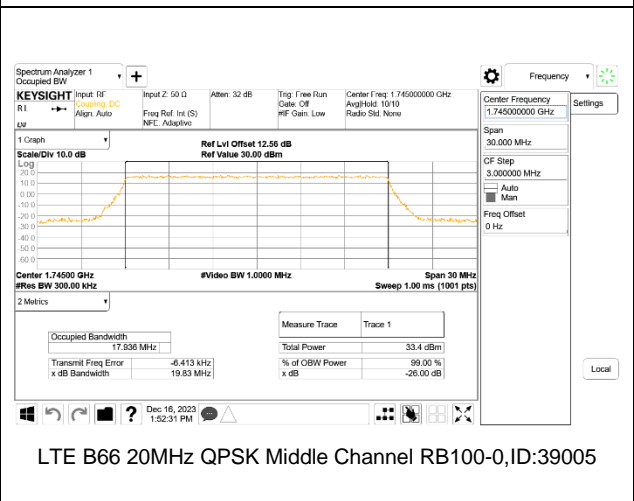
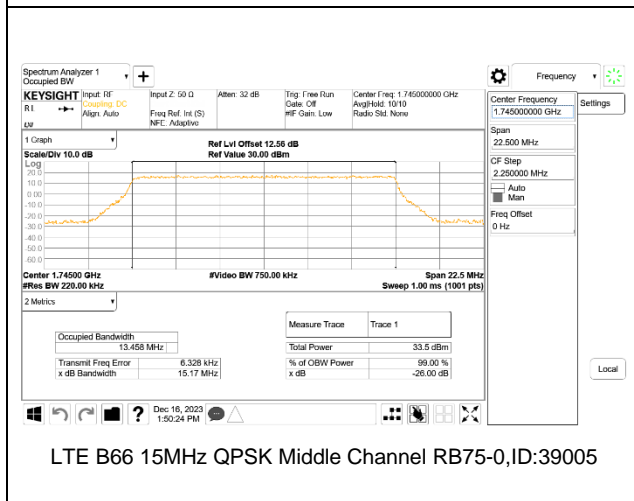
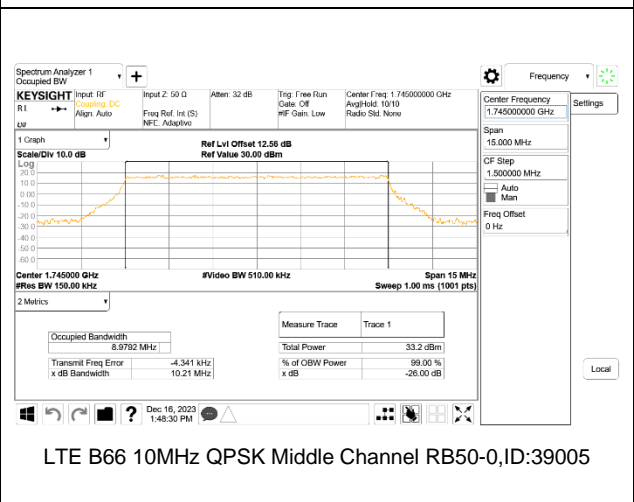
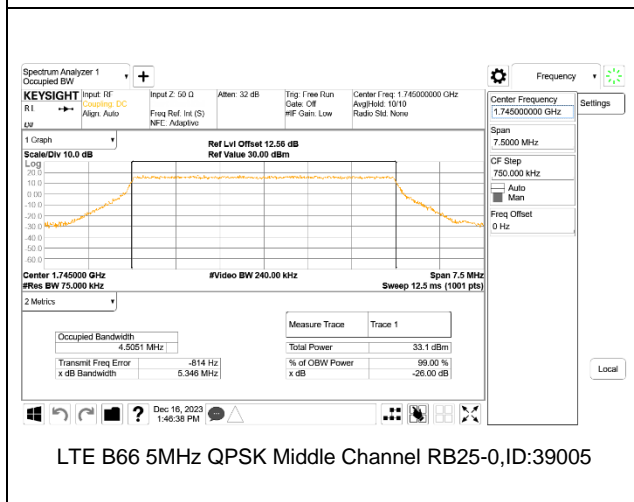
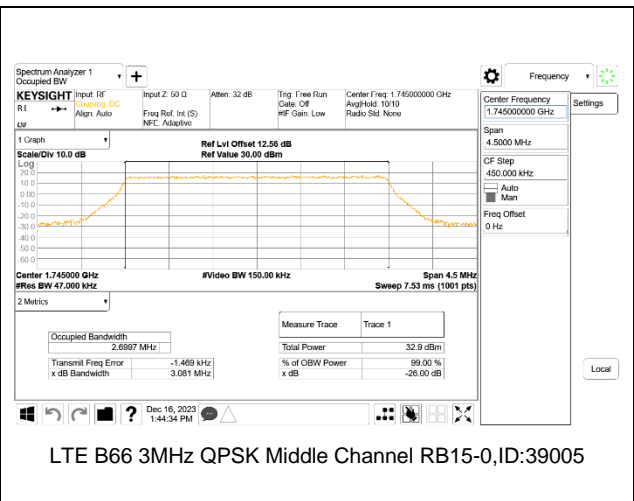
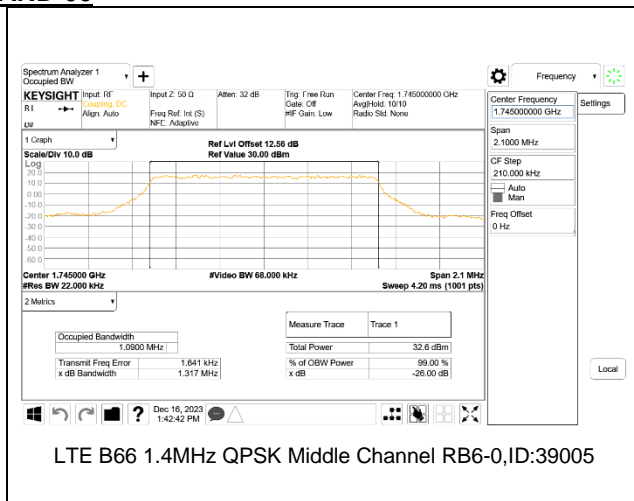
5G NR n48 40MHz BPSK Middle Channel RB100-0, ID:28498

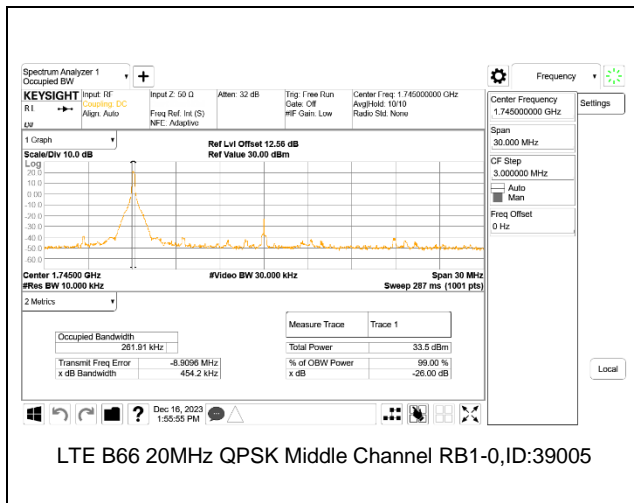


5G NR n48 40MHz BPSK Middle Channel RB1-0, ID:28498

9.1.13. LTE BAND 66 AND 5G NR n66

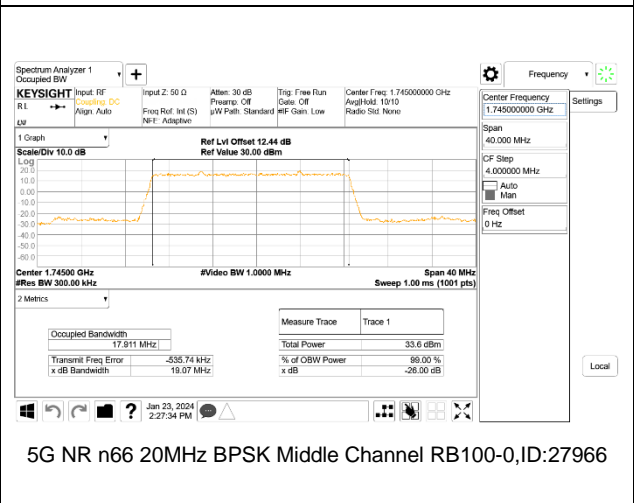
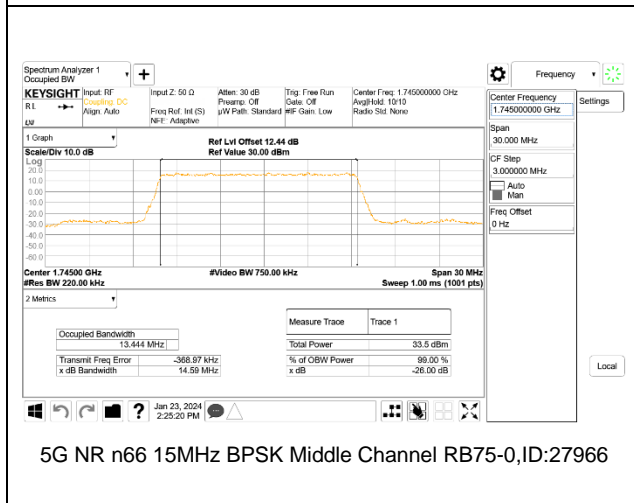
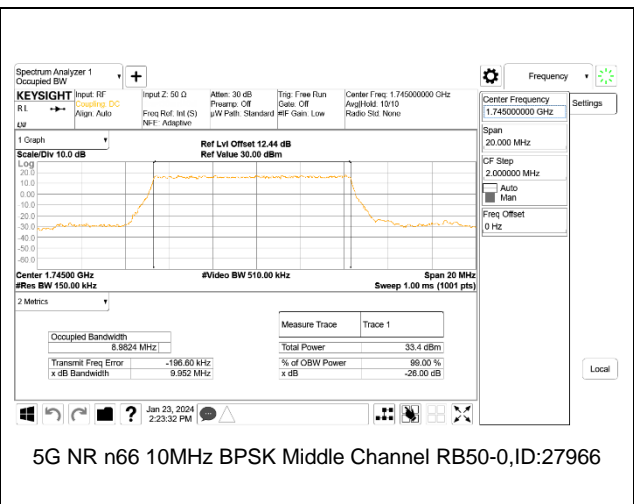
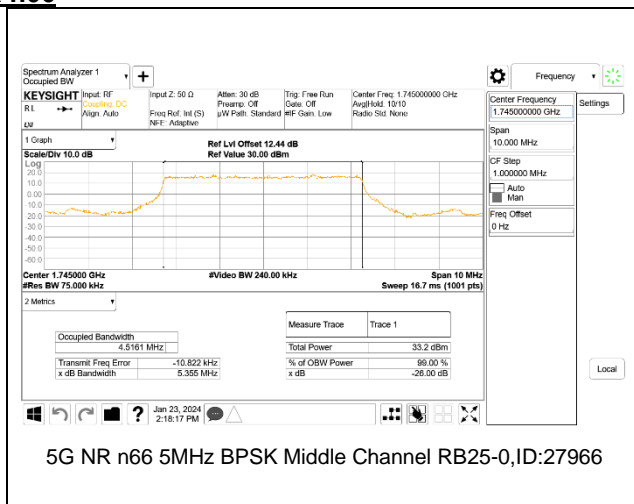
LTE BAND 66

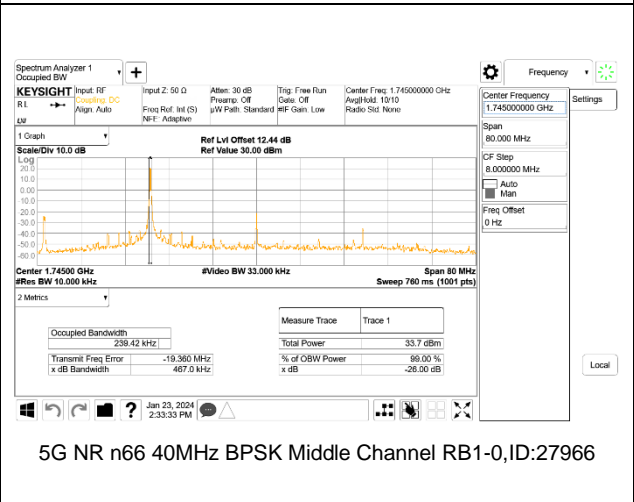
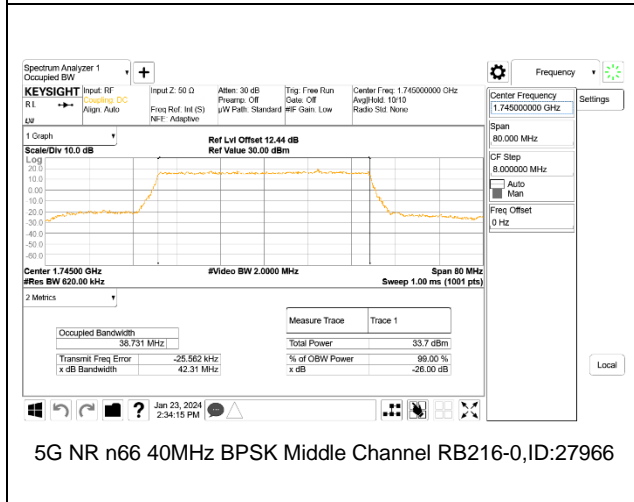
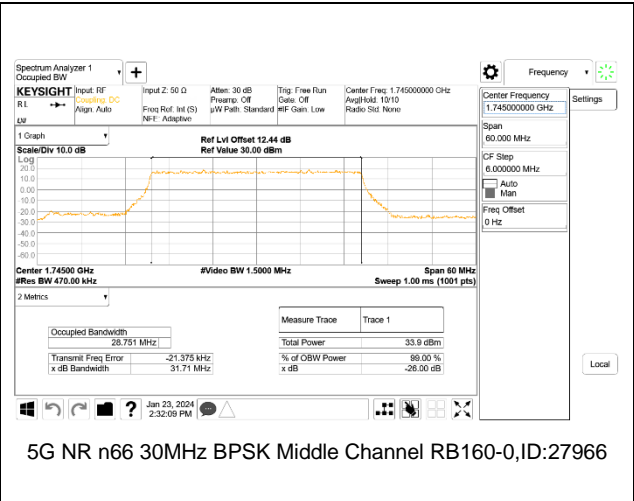
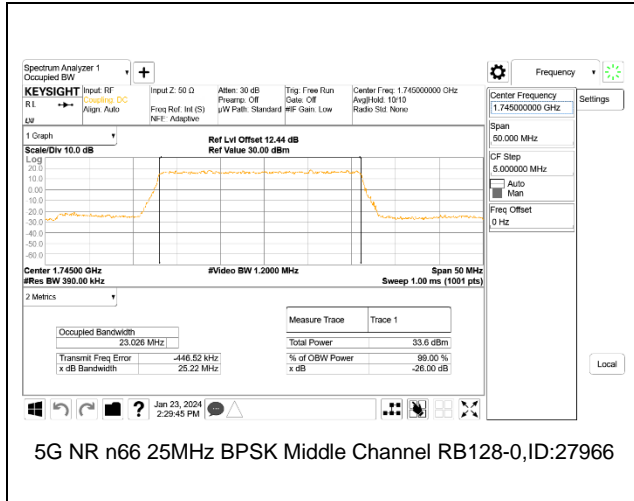




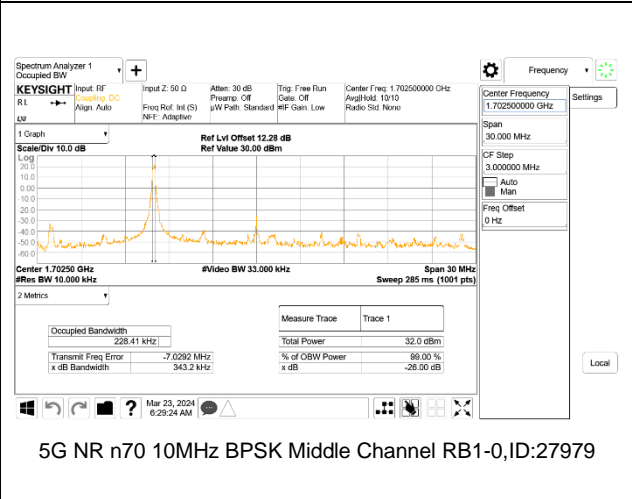
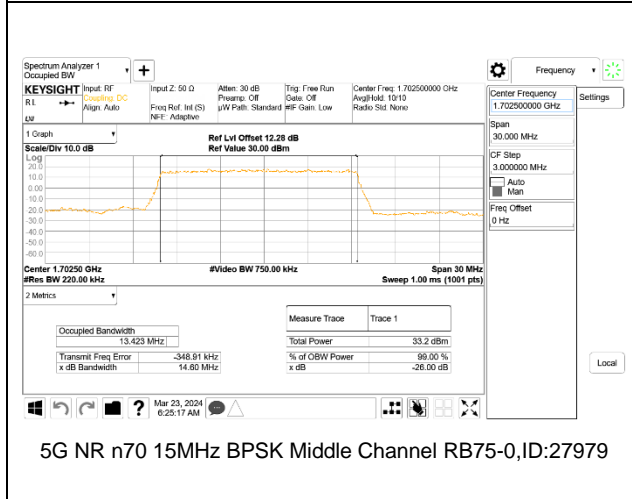
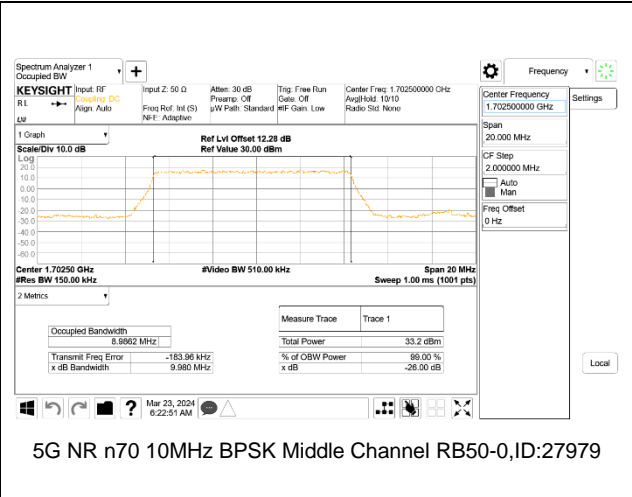
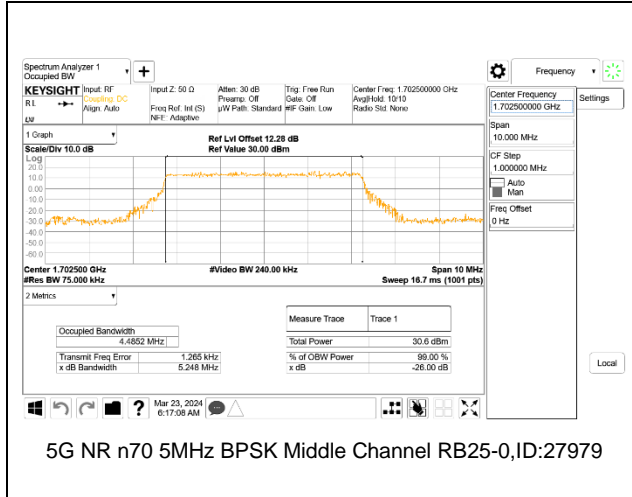
Intentionally Blank

5G NR n66



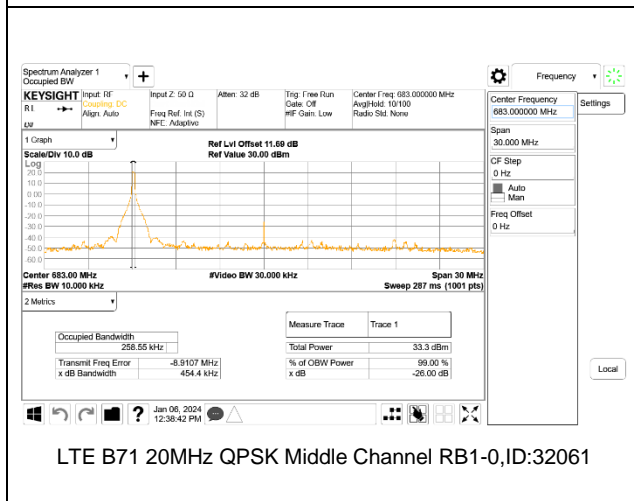
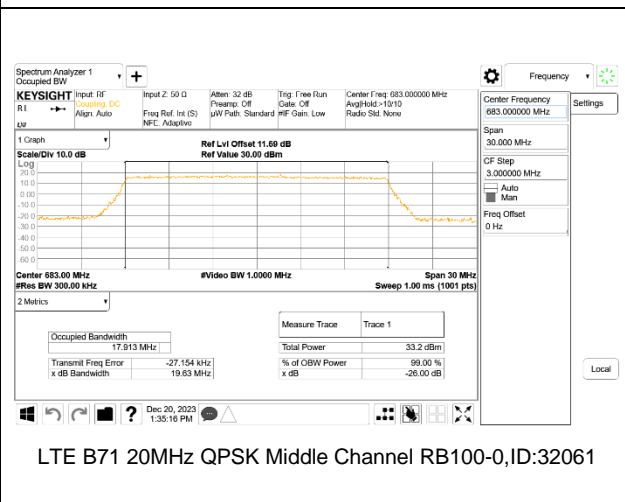
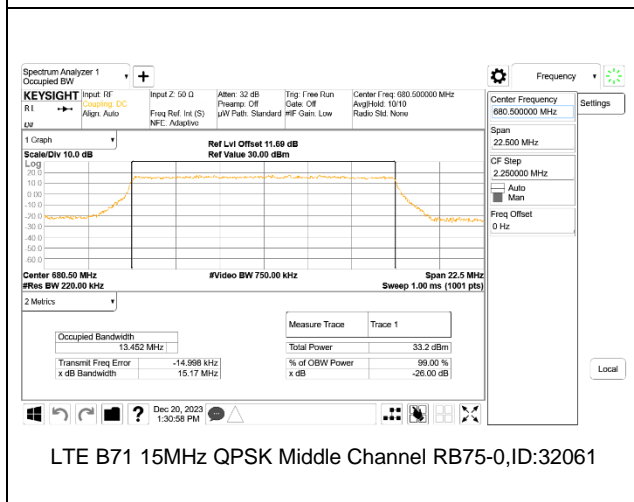
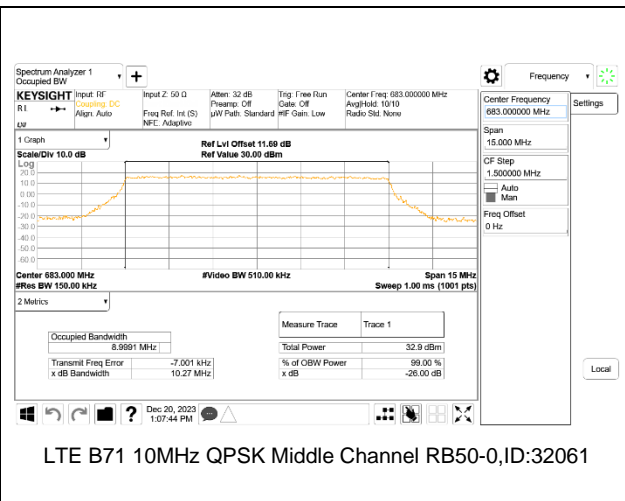
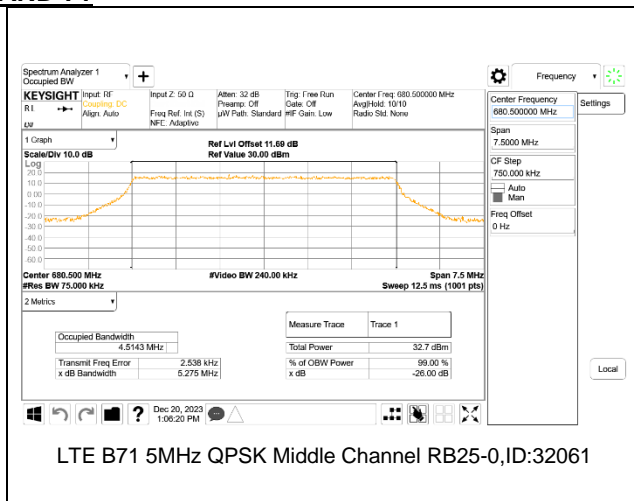


9.1.14. 5G NR n70



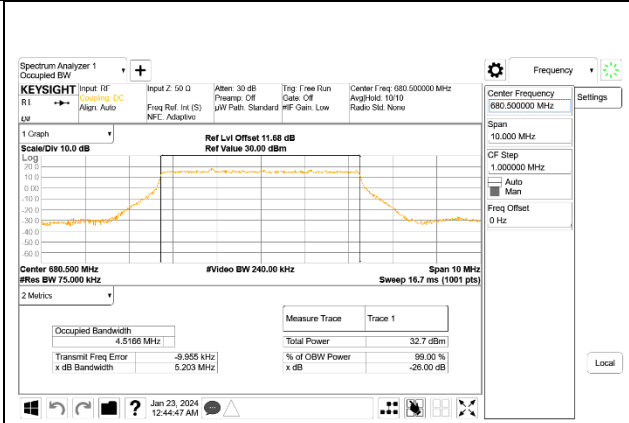
9.1.15. LTE BAND 71 AND 5G NR n71

LTE BAND 71

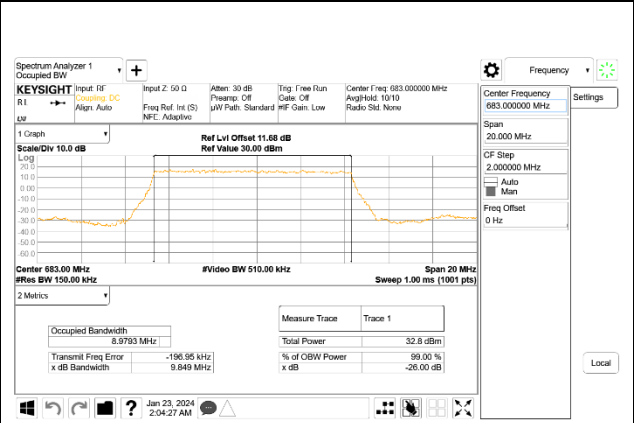


Intentionally Blank

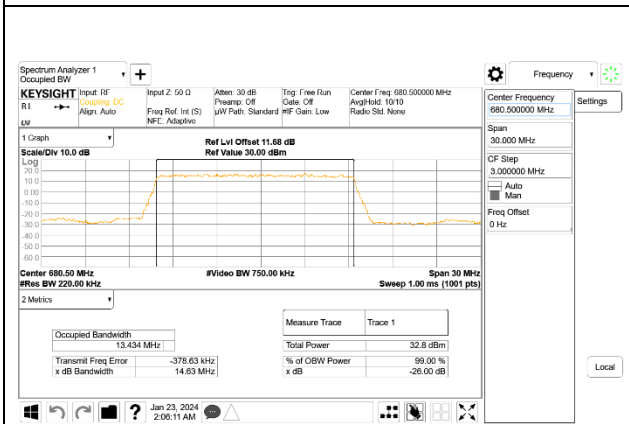
5G NR n71



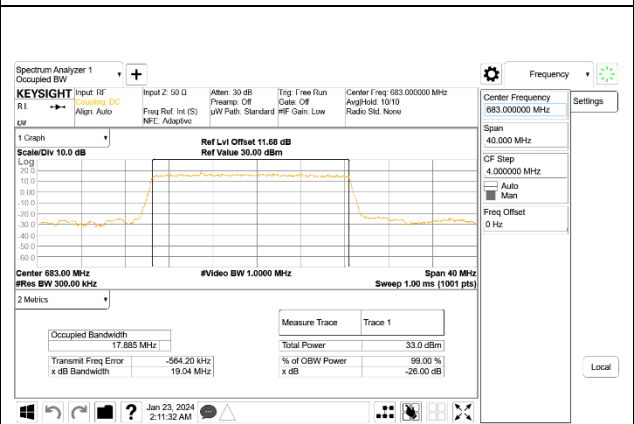
5G NR n71 5MHz BPSK Middle Channel RB25-0, ID:27979



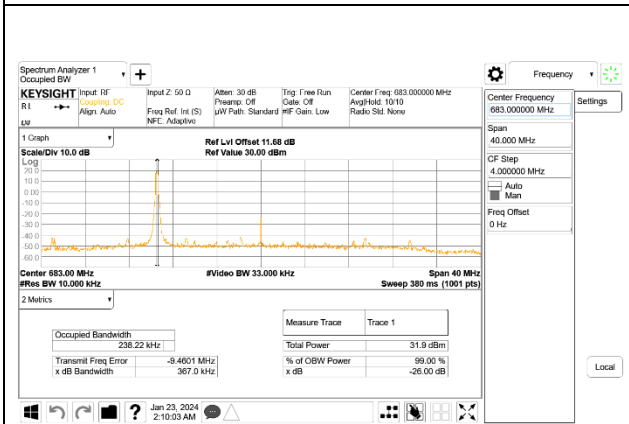
5G NR n71 10MHz BPSK Middle Channel RB50-0, ID:27979



5G NR n71 15MHz BPSK Middle Channel RB75-0, ID:27979



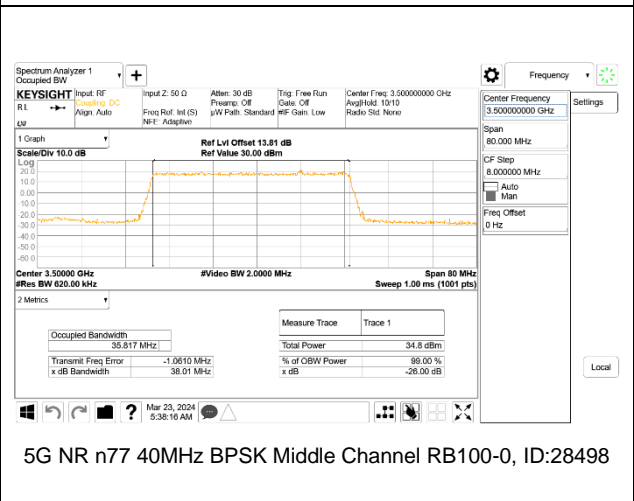
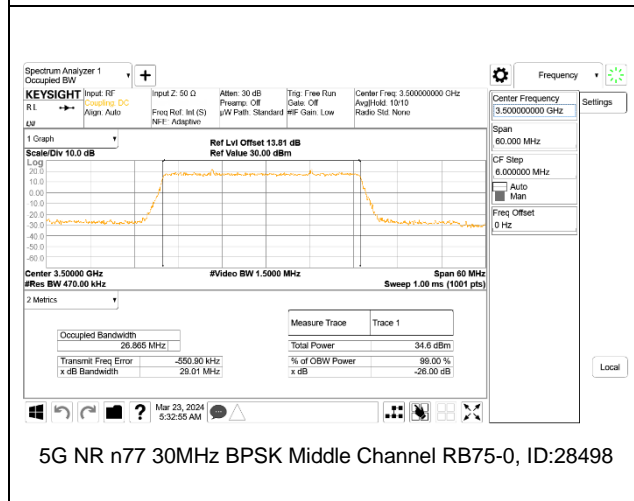
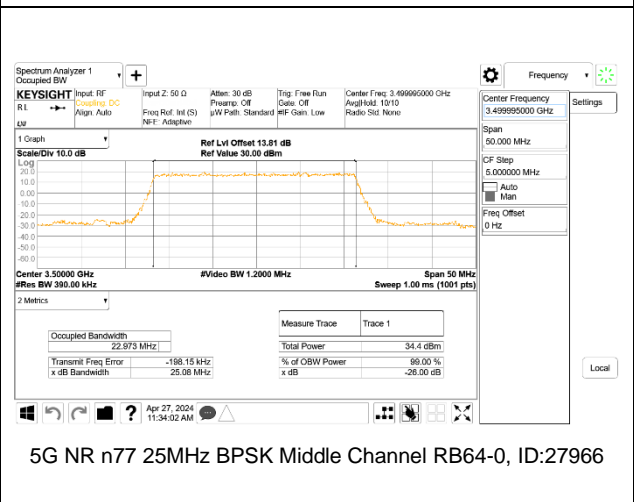
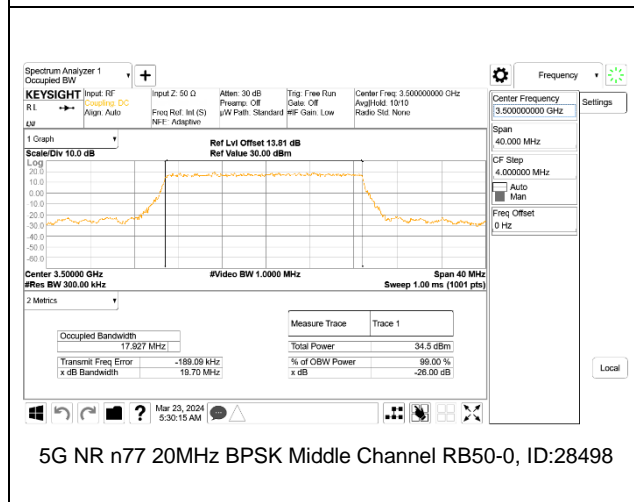
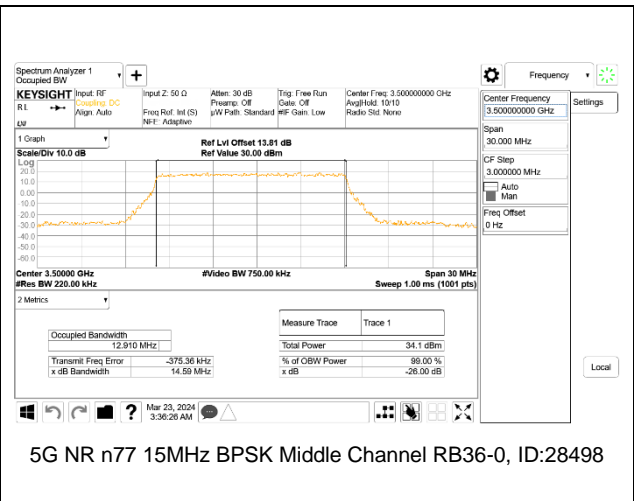
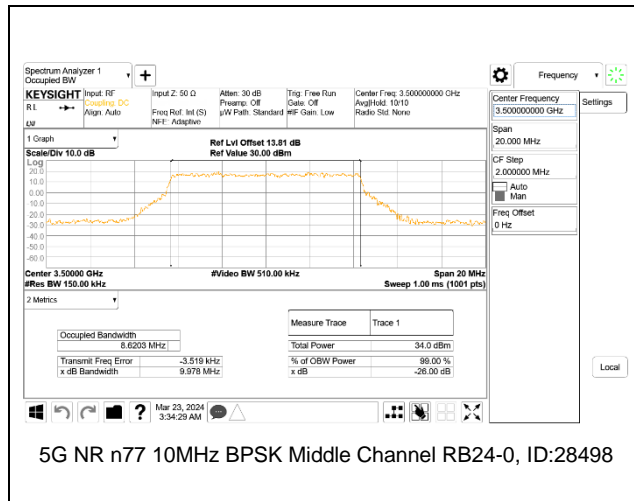
5G NR n71 20MHz BPSK Middle Channel RB100-0, ID:27979

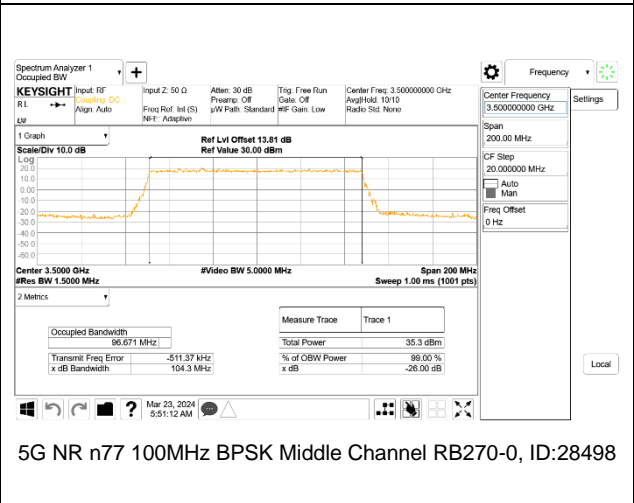
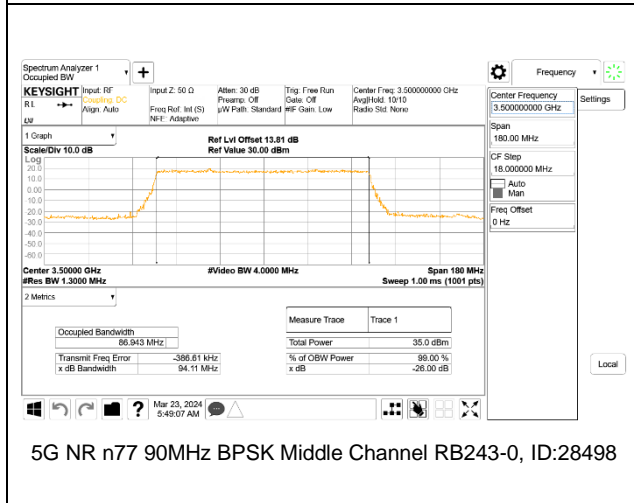
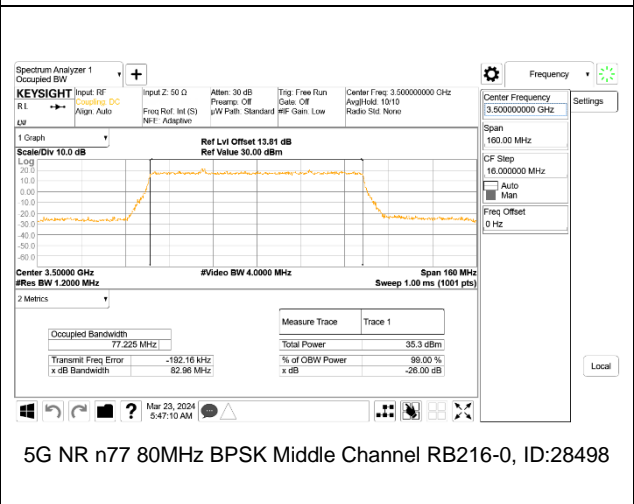
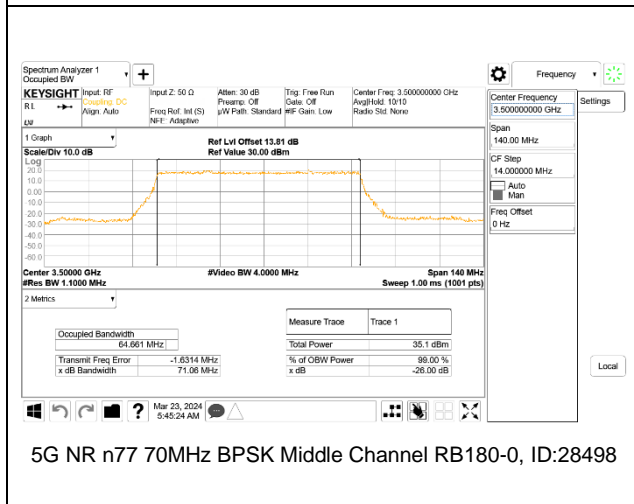
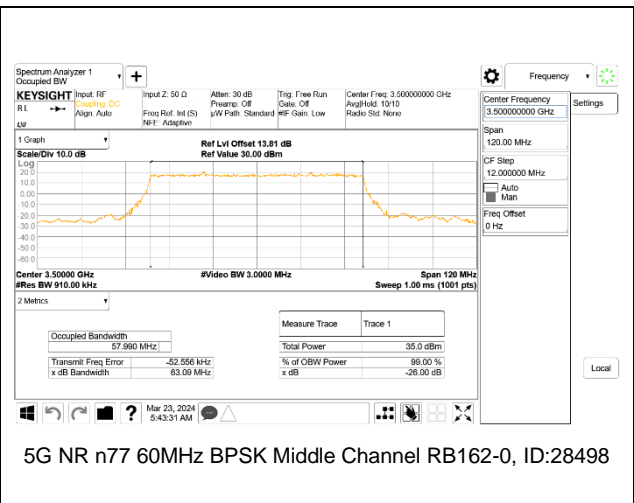
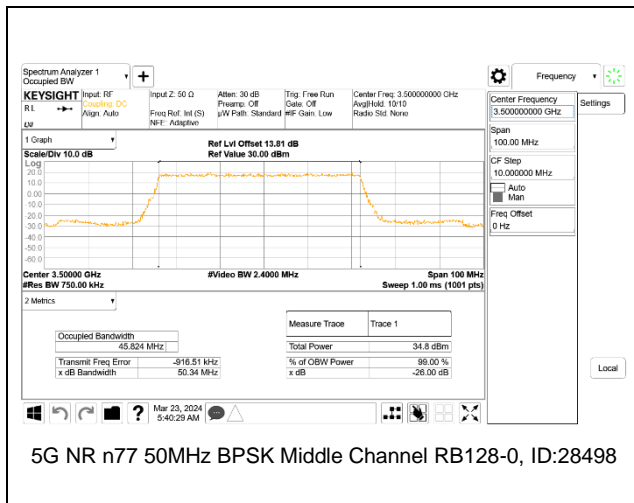


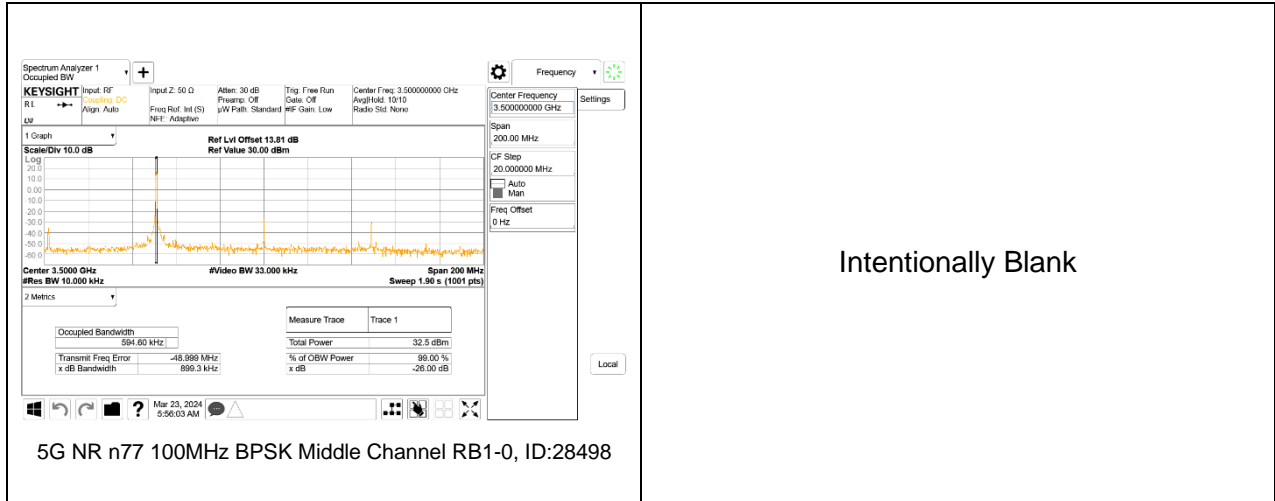
5G NR n71 20MHz BPSK Middle Channel RB1-0, ID:27979

Intentionally Blank

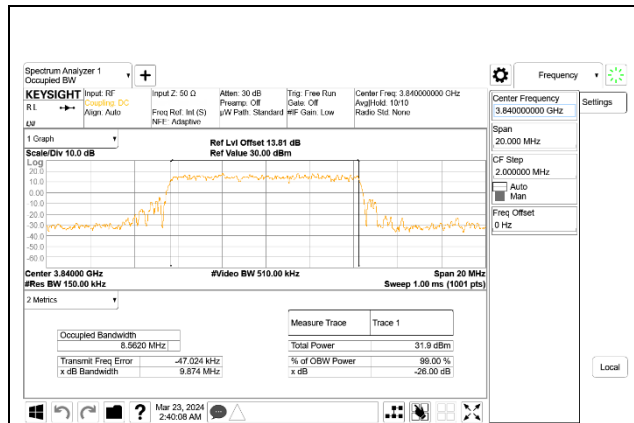
9.1.16. 5G NR n77 (FCC Part 27 3450-3550MHz)



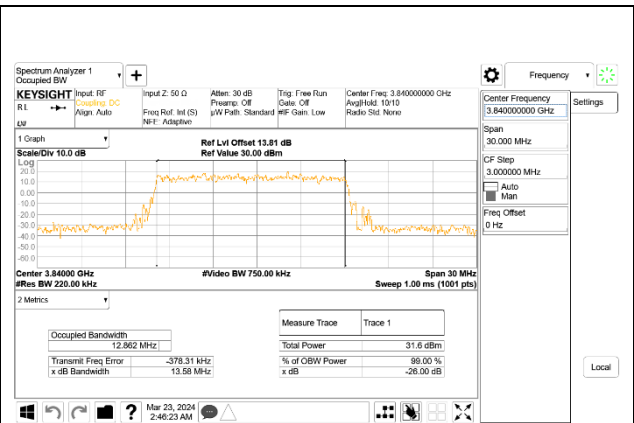




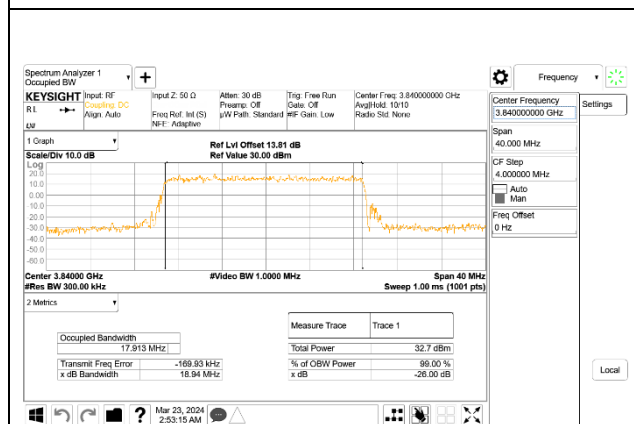
9.1.17. 5G NR n77 (FCC Part 27 3700-3980MHz)



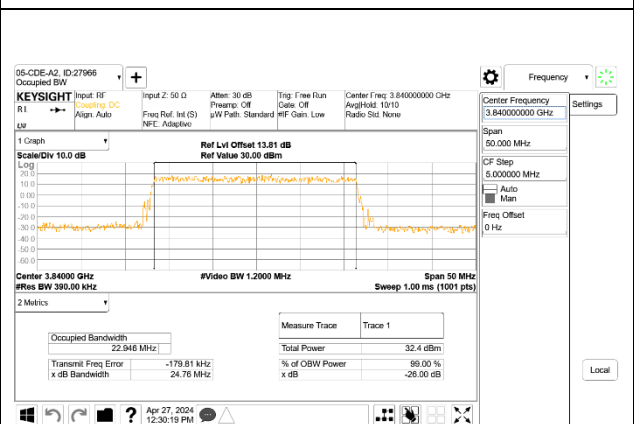
5G NR n77 10MHz BPSK Middle Channel RB24-0, ID:28498



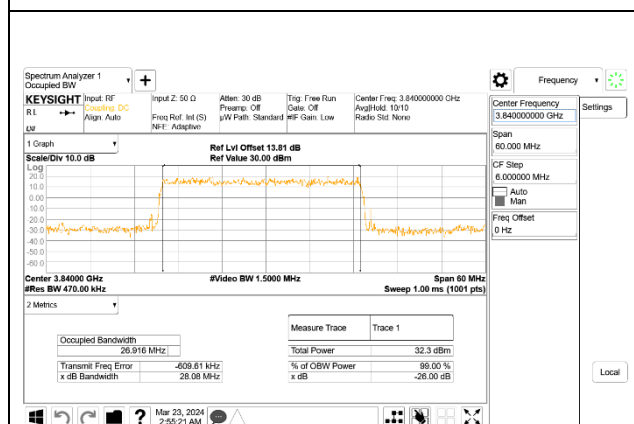
5G NR n77 15MHz BPSK Middle Channel RB36-0, ID:28498



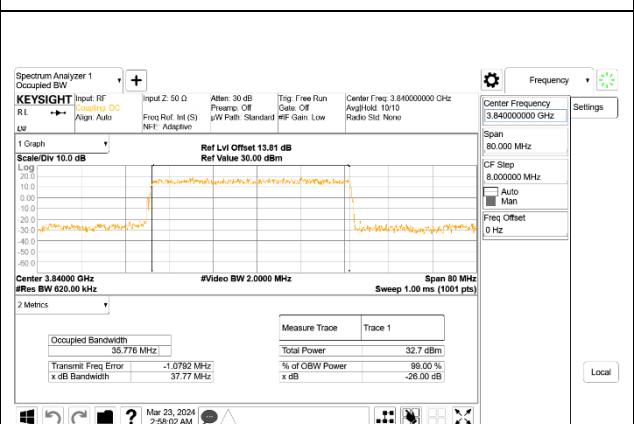
5G NR n77 20MHz BPSK Middle Channel RB50-0, ID:28498



5G NR n77 25MHz BPSK Middle Channel RB64-0, ID:28498



5G NR n77 30MHz BPSK Middle Channel RB75-0, ID:28498



5G NR n77 40MHz BPSK Middle Channel RB100-0, ID:28498