

# TEST REPORT

**Report Number:** 15107858-E2V4

**Applicant :** Google LLC  
1600 Amphitheatre Parkway  
Mountain View, CA 94043 U.S.A.

**Model :** GGX8B

**FCC ID** A4RGGX8B

**EUT Description :** PHONE

**Test Standard(s) :** FCC 47 CFR PART2, 22H, 24E, 27, 90S, 90R, AND 96

**Date Of Issue:**  
2024-06-05

**Prepared by:**  
UL Verification Services Inc.  
47173 Benicia Street  
Fremont, CA 94538, U.S.A.  
TEL: (510) 319-4000  
FAX: (510) 661-0888



Revision History

| Rev. | Issue Date | Revisions   | Revised By  |
|------|------------|---|-------------|
| V1   | 2024-04-19 | Initial Review  |             |
| V2   | 2024-05-02 | Updated Section 1, 2, 6.2, 6.3, 6.4, 8.2,8.11, 8.12, 8.14, 8.17, 8.18, 8.19, 8.20, 9 and 10 | Kiya Kedida |
| V3   | 2024-05-08 | Updated Section 6.2   | Kiya Kedida |
| V4   | 2024-06-05 | Updated Section 6.2 (n7 50MHz BW Condcuted power)   | Kiya Kedida |

## TABLE OF CONTENTS

- 1. ATTESTATION OF TEST RESULTS..... 9**
- 2. SUMMARY OF TEST RESULTS ..... 10**
- 3. TEST METHODOLOGY ..... 11**
- 4. FACILITIES AND ACCREDITATION ..... 11**
- 5. DECISION RULES AND MEASUREMENT UNCERTAINTY..... 12**
  - 5.1. METROLOGICAL TRACEABILITY ..... 12
  - 5.2. DECISION RULES ..... 12
  - 5.3. MEASUREMENT UNCERTAINTY ..... 12
  - 5.4. SAMPLE CALCULATION..... 12
- 6. EQUIPMENT UNDER TEST ..... 13**
  - 6.1. DESCRIPTION OF EUT ..... 13
  - 6.2. MAXIMUM ANTENNA GAIN ..... 13
  - 6.3. MAXIMUM OUTPUT POWER ..... 14
  - 6.4. WORST-CASE CONFIGURATION AND MODE ..... 28
  - 6.5. DESCRIPTION OF TEST SETUP ..... 30
- 7. TEST AND MEASUREMENT EQUIPMENT..... 32**
- 8. RF OUTPUT POWER MEASUREMENT ..... 33**
  - 8.1. LTE BAND 5 AND 5G NR n5..... 34
  - 8.2. LTE BAND 7 AND 5G NR n7..... 38
  - 8.3. LTE BAND 12 AND 5G NR n12..... 44
  - 8.4. LTE BAND 13..... 48
  - 8.5. LTE BAND 14 AND 5G NR n14..... 49
  - 8.6. LTE BAND 17..... 51
  - 8.7. LTE BAND 25 AND 5G NR n25..... 52
  - 8.8. LTE BAND 26 AND 5G NR 26 (FCC Part 90S) ..... 59
  - 8.9. LTE BAND 26 AND 5G NR n26 (FCC Part 22)..... 62
  - 8.10. LTE BAND 30 AND 5G NR n30..... 67
  - 8.11. LTE BAND 41 AND 5G NR n41..... 69
  - 8.12. LTE BAND 41 AND 5G NR n41 HPUE ..... 78
  - 8.13. LTE BAND 48 AND 5G NR n48..... 87
  - 8.14. LTE BAND 66 AND 5G NR n66..... 92
  - 8.15. 5G NR n70 ..... 99

8.16. LTE BAND 71 AND 5G NR n71..... 101

8.17. 5G NR n77 (FCC Part 27 3450-3550MHz) ..... 105

8.18. 5G NR n77 (FCC Part 27 3450-3550MHz) HPUE ..... 111

8.19. 5G NR n77 (FCC Part 27 3700-3980MHz) ..... 117

8.20. 5G NR n77 (FCC Part 27 3700-3980MHz) HPUE ..... 123

**9. CONDUCTED TEST RESULTS..... 129**

9.1. OCCUPIED BANDWIDTH..... 129

9.1.1. LTE BAND 5 AND 5G NR n5..... 143

9.1.2. LTE BAND 7 AND 5G NR n7..... 145

9.1.3. LTE BAND 12 AND 5G NR n12..... 148

9.1.4. LTE BAND 13..... 150

9.1.5. LTE BAND 14 AND 5G NR n14..... 151

9.1.6. LTE BAND 17..... 153

9.1.7. LTE BAND 25 AND 5G NR n25..... 154

9.1.8. LTE BAND 26 AND 5G NR n26 (FCC PART 90S) ..... 157

9.1.9. LTE BAND 26 AND 5G NR n26 (FCC PART 22)..... 159

9.1.10. LTE BAND 30 AND 5G NR n30 ..... 161

9.1.11. LTE BAND 41 AND 5G NR n41 HPUE ..... 163

9.1.12. LTE BAND 48 AND 5G NR n48 ..... 167

9.1.13. LTE BAND 66 AND 5G NR n66 ..... 169

9.1.14. 5G NR n70..... 172

9.1.15. LTE BAND 71 AND 5G NR n71 ..... 173

9.1.16. 5G NR n77 (FCC Part 27 3450-3550MHz)..... 175

9.1.17. 5G NR n77 (FCC Part 27 3700-3980MHz)..... 178

9.2. EMISSION MASK AND ADJACENT CHANNEL POWER..... 181

9.2.1. LTE BAND 5 AND 5G NR n5..... 183

9.2.2. LTE BAND 7 AND 5G NR n7..... 190

9.2.3. LTE BAND 12 AND 5G NR n12..... 209

9.2.4. LTE BAND 13..... 221

9.2.5. LTE BAND 14 AND 5G NR n14..... 224

9.2.6. LTE BAND 17..... 228

9.2.7. LTE BAND 25 AND 5G NR n25..... 231

9.2.8. LTE BAND 26 AND 5G NR n26 (FCC PART 90S) ..... 241

9.2.9. LTE BAND 26 AND 5G NR n26 (FCC PART 22)..... 246

9.2.10. LTE BAND 30 AND 5G NR n30 ..... 252

|         |   |     |
|---------|---|-----|
| 9.2.11. | LTE BAND 41 AND 5G NR n41 HPUE .....            | 259 |
| 9.2.12. | LTE BAND 48 AND 5G NR n48 .....                 | 283 |
| 9.2.13. | LTE BAND 66 AND 5G NR n66 .....                 | 312 |
| 9.2.14. | 5G NR n70.....                                  | 322 |
| 9.2.15. | LTE BAND 71 AND 5G NR n71 .....                 | 325 |
| 9.2.16. | 5G NR n77 (FCC Part 27 3450-3550MHz) HPUE ..... | 338 |
| 9.2.17. | 5G NR n77 (FCC Part 27 3700-3980MHz) HPUE ..... | 356 |
| 9.3.    | OUT OF BAND EMISSIONS .....                     | 375 |
| 9.3.1.  | LTE BAND 5 AND 5G NR n5.....                    | 376 |
| 9.3.2.  | LTE BAND 7 AND 5G NR n7.....                    | 381 |
| 9.3.3.  | LTE BAND 12 AND 5G NR n12.....                  | 388 |
| 9.3.4.  | LTE BAND 13.....                                | 393 |
| 9.3.5.  | LTE BAND 14 AND 5G NR n14.....                  | 395 |
| 9.3.6.  | LTE BAND 17.....                                | 398 |
| 9.3.7.  | LTE BAND 25 AND 5G NR n25.....                  | 400 |
| 9.3.8.  | LTE BAND 26 AND 5G NR n26 (FCC PART 90S) .....  | 409 |
| 9.3.9.  | LTE BAND 26 AND 5G NR n26 (FCC PART 22).....    | 413 |
| 9.3.10. | LTE BAND 30 AND 5G NR n30 .....                 | 419 |
| 9.3.11. | LTE BAND 41 AND 5G NR n41 HPUE .....            | 423 |
| 9.3.12. | LTE BAND 48 AND 5G NR n48 .....                 | 432 |
| 9.3.13. | LTE BAND 66 AND 5G NR n66 .....                 | 444 |
| 9.3.14. | 5G NR n70.....                                  | 452 |
| 9.3.15. | LTE BAND 71 AND 5G NR n71 .....                 | 455 |
| 9.3.16. | 5G NR n77 (FCC Part 27 3450-3550MHz).....       | 461 |
| 9.3.17. | 5G NR n77 (FCC Part 27 3700-3980MHz).....       | 468 |
| 9.4.    | FREQUENCY STABILITY .....                       | 475 |
| 9.4.1.  | LTE BAND 5 AND 5G NR n5.....                    | 476 |
| 9.4.2.  | LTE BAND 7 AND 5G NR n7.....                    | 478 |
| 9.4.3.  | LTE BAND 12 AND 5G NR n12.....                  | 480 |
| 9.4.4.  | LTE BAND 13.....                                | 482 |
| 9.4.5.  | LTE BAND 14 AND 5G NR n14.....                  | 483 |
| 9.4.6.  | LTE BAND 17.....                                | 485 |
| 9.4.7.  | LTE BAND 25 AND 5G NR n25.....                  | 486 |
| 9.4.8.  | LTE BAND 26(FCC PART 90S) .....                 | 488 |
| 9.4.9.  | LTE BAND 26(FCC PART 22).....                   | 490 |

|            |  |            |
|------------|--|------------|
| 9.4.10.    | LTE BAND 30 AND 5G NR n30 .....                  | 492        |
| 9.4.11.    | LTE BAND 41 AND 5G NR n41 .....                  | 494        |
| 9.4.12.    | LTE BAND 48 AND 5G NR n48 .....                  | 496        |
| 9.4.13.    | LTE BAND 66 AND 5G NR n66 .....                  | 497        |
| 9.4.14.    | 5G NR n70.....                                   | 499        |
| 9.4.15.    | LTE BAND 71 AND 5G NR n71 .....                  | 500        |
| 9.4.16.    | 5G NR n77 (FCC Part 27 3450-3550MHz).....        | 502        |
| 9.4.17.    | 5G NR n77 (FCC Part 27 3700-3980MHz).....        | 503        |
| 9.5.       | PEAK-TO-AVERAGE POWER RATIO .....                | 504        |
| 9.5.1.     | LTE BAND 5 AND 5G NR n5.....                     | 505        |
| 9.5.2.     | LTE BAND 7 AND 5G NR n7.....                     | 508        |
| 9.5.3.     | LTE BAND 12 AND 5G NR n12.....                   | 513        |
| 9.5.4.     | LTE BAND 13.....                                 | 516        |
| 9.5.5.     | LTE BAND 14 AND 5G NR n14.....                   | 517        |
| 9.5.6.     | LTE BAND 17.....                                 | 519        |
| 9.5.7.     | LTE BAND 25 AND 5G NR n25.....                   | 520        |
| 9.5.8.     | LTE BAND 26 AND 5G NR n26 (FCC PART 90S) .....   | 525        |
| 9.5.9.     | LTE BAND 26 AND 5G NR n26 (FCC PART 22).....     | 527        |
| 9.5.10.    | LTE BAND 30 AND 5G NR n30 .....                  | 530        |
| 9.5.11.    | LTE BAND 41 AND 5G NR n41 HPUE .....             | 532        |
| 9.5.12.    | LTE BAND 48 AND 5G NR n48 .....                  | 533        |
| 9.5.13.    | LTE BAND 66 AND 5G NR n66 .....                  | 534        |
| 9.5.14.    | 5G NR n70.....                                   | 539        |
| 9.5.15.    | LTE BAND 71 AND 5G NR n71 .....                  | 540        |
| 9.5.16.    | 5G NR n77 (FCC Part 27 3450-3550MHz).....        | 543        |
| 9.5.17.    | 5G NR n77 (FCC Part 27 3700-3980MHz).....        | 544        |
| <b>10.</b> | <b>RADIATED TEST RESULTS.....</b>                | <b>545</b> |
| 10.1.      | FIELD STRENGTH OF SPURIOUS RADIATION, ANT0 ..... | 548        |
| 10.1.1.    | LTE BAND 5 AND 5G NR n5.....                     | 549        |
| 10.1.2.    | LTE BAND 7 AND 5G NR n7 .....                    | 552        |
| 10.1.3.    | LTE BAND 12 AND 5G NR n12 .....                  | 555        |
| 10.1.4.    | LTE BAND 13 .....                                | 557        |
| 10.1.5.    | LTE BAND 14 AND 5G NR n14 .....                  | 559        |
| 10.1.6.    | LTE BAND 17 .....                                | 561        |
| 10.1.7.    | LTE BAND 25 AND 5G NR n25 .....                  | 563        |

|          |   |     |
|----------|---|-----|
| 10.1.8.  | LTE BAND 26 AND 5G NR n26 (FCC PART 90S)    | 565 |
| 10.1.9.  | LTE BAND 26 AND 5G NR n26 (FCC PART 22)     | 567 |
| 10.1.10. | LTE BAND 30 AND 5G NR n30                   | 569 |
| 10.1.11. | LTE BAND 41 AND 5G NR n41 HPUE              | 571 |
| 10.1.12. | LTE BAND 66 AND 5G NR n66                   | 572 |
| 10.1.13. | 5G NR n70                                   | 575 |
| 10.1.14. | LTE BAND 71 AND 5G NR n71                   | 576 |
| 10.2.    | FIELD STRENGTH OF SPURIOUS RADIATION, ANT1  | 579 |
| 10.2.1.  | LTE BAND 5 AND 5G NR n5                     | 580 |
| 10.2.2.  | LTE BAND 12 AND 5G NR n12                   | 583 |
| 10.2.3.  | LTE BAND 13                                 | 586 |
| 10.2.4.  | LTE BAND 14 AND 5G NR n14                   | 587 |
| 10.2.5.  | LTE BAND 17                                 | 589 |
| 10.2.6.  | LTE BAND 25 AND 5G NR n25                   | 590 |
| 10.2.7.  | LTE BAND 26 AND 5G NR n26 (FCC PART 90S)    | 594 |
| 10.2.8.  | LTE BAND 26 AND 5G NR n26 (FCC PART 22)     | 594 |
| 10.2.9.  | 5G NR n41 HPUE                              | 597 |
| 10.2.10. | 5G NR n48                                   | 597 |
| 10.2.11. | LTE BAND 66 AND 5G NR n66                   | 598 |
| 10.2.12. | LTE BAND 71 AND 5G NR n71                   | 601 |
| 10.2.13. | 5G NR n77 (FCC Part 27 3450-3550MHz) HPUE   | 604 |
| 10.2.14. | 5G NR n77 (FCC Part 27 3700-3980MHz) HPUE   | 605 |
| 10.3.    | FIELD STRENGTH OF SPURIOUS RADIATION, ANT2  | 605 |
| 10.3.1.  | LTE BAND 7 AND 5G NR n7                     | 607 |
| 10.3.2.  | LTE BAND 25 AND 5G NR n25                   | 608 |
| 10.3.3.  | LTE BAND 30 AND 5G NR n30                   | 612 |
| 10.3.4.  | LTE BAND 41 AND 5G NR n41 HPUE              | 613 |
| 10.3.5.  | LTE BAND 66 AND 5G NR n66                   | 614 |
| 10.3.6.  | 5G NR n70                                   | 617 |
| 10.4.    | FIELD STRENGTH OF SPURIOUS RADIATION, ANT 5 | 618 |
| 10.4.1.  | LTE BAND 25 AND 5G NR n25                   | 618 |
| 10.4.2.  | 5G NR n48                                   | 622 |
| 10.4.3.  | LTE BAND 66 AND 5G NR n66                   | 622 |
| 10.4.4.  | 5G NR n77 (FCC Part 27 3450-3550MHz) HPUE   | 626 |
| 10.4.5.  | 5G NR n77 (FCC Part 27 3700-3980MHz) HPUE   | 627 |

---

|   |            |
|---|------------|
| 10.5. FIELD STRENGTH OF SPURIOUS RADIATION, ANT 6 ..... | 628        |
| 10.5.1. LTE BAND 48 AND 5G NR n48 .....                 | 629        |
| 10.5.2. 5G NR n77 (FCC Part 27 3450-3550MHz) HPUE ..... | 632        |
| 10.5.3. 5G NR n77 (FCC Part 27 3700-3980MHz) HPUE ..... | 633        |
| 10.6. FIELD STRENGTH OF SPURIOUS RADIATION, ANT 7 ..... | 634        |
| 10.6.1. LTE BAND 48 AND 5G NR n48 .....                 | 634        |
| 10.6.2. 5G NR n77 (FCC Part 27 3450-3550MHz) HPUE ..... | 636        |
| 10.6.3. 5G NR n77 (FCC Part 27 3700-3980MHz) HPUE ..... | 638        |
| <b>11. SETUP PHOTOS.....</b>                            | <b>638</b> |



# 1. ATTESTATION OF TEST RESULTS

|                            |   |
|----------------------------|---|
| Applicant Name and Address | Google LLC<br>1600 Amphitheatre Parkway<br>Mountain View, CA 94043 U.S.A.                   |
| Model                      | GGX8B   |
| FCC ID                     | A4RGGX8B  |
| EUT Description            | Phone   |
| Serial Number              | Conducted: 41121FDAS000AZ and 41121FDAS0009E<br>Radiated: 41031FDAS0006T and 41031FDAS000AE |
| Sample Receipt Date        | 2024-01-08  |
| Date Tested                | 2023-12-09 to 2024-04-29  |
| Applicable Standards       | FCC 47 CFR PART 2, 22H, 24E, 27, 90S, 90R, AND 96   |
| Test Results               | COMPLIES  |

UL Verification Services Inc. tested the above equipment in accordance with the requirements set forth in the above standards. The test results show that the equipment tested is capable of demonstrating compliance with the requirements as documented in this report.

The results documented in this report apply only to the tested sample, under the conditions and modes of operation as described herein. It is the manufacturer's responsibility to assure that additional production units of this model are manufactured with identical electrical and mechanical components. All samples tested were in good operating condition throughout the entire test program. Measurement Uncertainties are published for informational purposes only and were not taken into account unless noted otherwise.

This document may not be altered or revised in any way unless done so by UL Verification Services Inc. and all revisions are duly noted in the revisions section. Any alteration of this document not carried out by UL Verification Services Inc. will constitute fraud and shall nullify the document.

|  |   |   |
|--|---|---|
| Approved & Released By:<br> | Reviewed By:<br> | Prepared By:<br> |
| Mengistu Mekuria<br>Lab Staff Engineer<br>UL Verification Services Inc.  | Kiya Kedida<br>Lead Project Engineer<br>UL Verification Services Inc.                               | Tewodros Woldemichael<br>Laboratory Engineer<br>UL Verification Services Inc.                         |

## 2. SUMMARY OF TEST RESULTS

This report contains data provided by the customer which can impact the validity of results. UL Verification Services Inc. is only responsible for the validity of results after the integration of the data provided by the customer.”

Below is a list of the data provided by the customer:

1. Antenna gain and type (see section 6.2)

| Requirement Description             | Band      | Requirement Clause Number (FCC)   | Result*  | Remarks |
|-------------------------------------|-----------|-----------------------------------|----------|---------|
| RF Conducted Output Power           | 26 (90S)  | 2.1046 , 90.635 (b)               | Compiles |         |
| Effective Radiated Power            | 5,26      | 22.913 (a)(5)                     | Compiles |         |
|                                     | 12        | 27.50 (c) (10)                    | Compiles |         |
|                                     | 13        | 27.50 (b ) (10)                   | Compiles |         |
|                                     | 14        | 90.541 (d)                        | Compiles |         |
|                                     | 17        | 27.50 (c) (10)                    | Compiles |         |
|                                     | 71        | 27.50 (c) (10)                    | Compiles |         |
| Equivalent Isotropic Radiated Power | 2, 25     | 24.232 (c )                       | Compiles |         |
|                                     | 4, 66     | 27.50 (d) (4)                     | Compiles |         |
|                                     | 70        | 27.50 (d) (4)                     | Compiles |         |
|                                     | 30        | 27.50 (a) (3)                     | Compiles |         |
|                                     | 7, 41, 38 | 27.50 (h) (2)                     | Compiles |         |
|                                     | 48        | 96.41 (b)                         | Compiles |         |
|                                     | 77        | 96.41 (b), 27.50 (j) (3), (k) (3) | Compiles |         |

| Requirement Description              | Requirement Clause Number (FCC)   | Result*  | Remarks |
|--------------------------------------|---|----------|---------|
| Occupied Bandwidth                   | 2.1049  | Compiles |         |
| Band Edge and Emission Mask          | 2.1051, 22.917 (a), 24.238 (a), 27.53 (h), 27.53 (m)(4) & (m) (6), 96.41(e) , 27.53 (g), 27.53 (c) (f), 27.53(a), 27.53(l), 90.543 (e)(f), 90.691 (a), 96.41(e) | Compiles |         |
| Out of Band Emissions                | 2.1051, 22.917 (a), 24.238 (a), 27.53 (h), 27.53 (m)(4) & (m) (6), 96.41(e) , 27.53 (g), 27.53 (c) (f), 27.53(a), 27.53(l), 90.543 (e)(f), 90.691 (a), 96.41(e) | Compiles |         |
| Frequency Stability                  | 2.1055, 22.355, 24.235, 27.54, 90.539, 90.213   | Compiles |         |
| Peak-to-Average Ratio                | 22.913 (d), 24.232 (d), 27.50 (d) (5), 27.50 (j) (4), 96.41 (g)   | Compiles |         |
| Field Strength of Spurious Radiation | 2.1053, 22.917 (a), 24.238 (a), 27.53 (h), 27.53 (m)(4) & (m) (6), 96.41(e) , 27.53 (g), 27.53 (c) (f), 27.53(a), 27.53(l), 90.543 (e)(f), 90.691 (a), 96.41(e) | Compiles |         |

### 3. TEST METHODOLOGY

The tests documented in this report were performed in accordance with the following:

- ANSI C63.26:2015
- FCC 47 CFR Part 2, Part 22, Part 24, Part 27, Part 90, and Part 96
- [FCC KDB 971168 D01 v03r01](#): Power Meas License Digital Systems
- [FCC KDB 971168 D02 v02r02](#): Misc Rev Approv License Devices
- [FCC KDB 412172 D01 v01r01](#): Determining ERP and EIRP

### 4. FACILITIES AND ACCREDITATION

UL Verification Services Inc. is accredited by A2LA, certification #0751.05, for all testing performed within the scope of this report. Testing was performed at the locations noted below.

|                                     | Address  | ISED CABID | ISED Company Number | FCC Registration |
|-------------------------------------|--|------------|---------------------|------------------|
| <input checked="" type="checkbox"/> | Building 1: 47173 Benicia Street, Fremont, CA 94538, USA | US0104     | 2324A               | 550739           |
| <input checked="" type="checkbox"/> | Building 2: 47266 Benicia Street, Fremont, CA 94538, USA |            |                     |                  |
| <input type="checkbox"/>            | Building 3: 843 Auburn Court, Fremont, CA 94538, USA     |            |                     |                  |
| <input checked="" type="checkbox"/> | Building 4: 47658 Kato Rd, Fremont, CA 94538, USA        |            |                     |                  |
| <input checked="" type="checkbox"/> | Building 5: 47670 Kato Rd, Fremont, CA 94538, USA        |            |                     |                  |

## 5. DECISION RULES AND MEASUREMENT UNCERTAINTY

### 5.1. METROLOGICAL TRACEABILITY

All test and measuring equipment utilized to perform the tests documented in this report are calibrated on a regular basis, with a maximum time between calibrations of one year or the manufacturers' recommendation, whichever is less, and where applicable is traceable to recognized national standards.

### 5.2. DECISION RULES

The Decision Rule is based on Simple Acceptance in accordance with ISO Guide 98-4:2012 Clause 8.2. (Measurement uncertainty is not taken into account when stating conformity with a specified requirement.)

### 5.3. MEASUREMENT UNCERTAINTY

Where relevant, the following measurement uncertainty levels have been estimated for tests performed on the apparatus:

| PARAMETER  | U <sub>Lab</sub>               |
|--|--------------------------------|
| Conducted Antenna Port Emission Measurement          | 1.940 db                       |
| Power Spectral Density                               | 2.466 db                       |
| Time Domain Measurements Using SA                    | 3.39 %                         |
| RF Power Measurement Direct Method Using Power Meter | 0.450 db Peak<br>1.300 db Ave. |
| Radio Frequency (Spectrum Analyzer)                  | 141.16 Hz                      |
| Occupied Bandwidth                                   | 1.22%                          |
| Worst Case Conducted Disturbance, 9KHz to 0.15 MHz   | 3.78 db                        |
| Worst Case Conducted Disturbance, 0.15 to 30 MHz     | 3.40 db                        |
| Worst Case Radiated Disturbance, 9KHz to 30 MHz      | 2.87 db                        |
| Worst Case Radiated Disturbance, 30 to 1000 MHz      | 6.01 db                        |
| Worst Case Radiated Disturbance, 1000 to 18000 MHz   | 4.73 db                        |
| Worst Case Radiated Disturbance, 18000 to 26000 MHz  | 4.51 db                        |
| Worst Case Radiated Disturbance, 26000 to 40000 MHz  | 5.29 db                        |

Uncertainty figures are valid to a confidence level of 95%.

### 5.4. SAMPLE CALCULATION

#### RADIATED EMISSIONS

Where relevant, the following sample calculation is provided:

$$\text{Field Strength (dBuV/m)} = \text{Measured Voltage (dBuV)} + \text{Antenna Factor (dB/m)} + \text{Cable Loss (dB)} - \text{Preamp Gain (dB)}$$

$$36.5 \text{ dBuV} + 18.7 \text{ dB/m} + 0.6 \text{ dB} - 26.9 \text{ dB} = 28.9 \text{ dBuV/m}$$

## 6. EQUIPMENT UNDER TEST

### 6.1. DESCRIPTION OF EUT

The EUT is a Phone.

### 6.2. MAXIMUM ANTENNA GAIN

The antenna(s) gain, as provided by the manufacturer' are as follows:

| LTE and 5G NR Bands    | Frequency Range (MHz) | ANT 0 Antenna Gain (dBi) | ANT 1 Antenna Gain (dBi) | ANT 2 Antenna Gain (dBi) | ANT 5 Antenna Gain (dBi) | ANT 6 Antenna Gain (dBi) | ANT 7 Antenna Gain (dBi) |
|------------------------|-----------------------|--------------------------|--------------------------|--------------------------|--------------------------|--------------------------|--------------------------|
| LTE Band 2, 5G NR n2   | 1850 – 1910           | -0.7                     | -3.9                     | -0.6                     | -7.8                     |                          |                          |
| LTE Band 4             | 1710 – 1755           | -0.8                     | -8.5                     | -0.4                     | -3.9                     |                          |                          |
| LTE Band 5, 5G NR n5   | 824 – 849             | -4.0                     | -4.0                     |                          |                          |                          |                          |
| LTE Band 7, 5G NR n7   | 2500 – 2570           | -2.4                     |                          | -1.0                     |                          |                          |                          |
| LTE Band 12, 5G NR n12 | 699 – 716             | -3.9                     | -5.2                     |                          |                          |                          |                          |
| LTE Band 13            | 777 – 787             | -4.2                     | -5.5                     |                          |                          |                          |                          |
| LTE Band 14, 5G NR n14 | 788 – 798             | -3.8                     | -5.5                     |                          |                          |                          |                          |
| LTE Band 17            | 704 – 716             | -3.9                     | -5.2                     |                          |                          |                          |                          |
| LTE Band 25, 5G NR n25 | 1850 – 1915           | -0.7                     | -3.9                     | -0.6                     | -7.8                     |                          |                          |
| LTE Band 26, 5G NR n26 | 814 – 849             | -4.0                     | -4.0                     |                          |                          |                          |                          |
| LTE Band 30, 5G NR n30 | 2305 – 2315           | -1.2                     |                          | -1.8                     |                          |                          |                          |
| LTE Band 41, 5G NR n41 | 2496 – 2690           | -2.5                     | -7.2                     | -1.3                     | -7.1                     |                          |                          |
| LTE Band 38, 5G NR n38 | 2570 - 2620           | -2.2                     | -7.2                     | -1.5                     | -7.1                     |                          |                          |
| LTE Band 48, 5G NR n48 | 3550 – 3700           |                          | -0.8                     |                          | -4.3                     | -0.1                     | -0.9                     |
| LTE Band 66, 5G NR n66 | 1710 – 1780           | -0.8                     | -8.5                     | -0.2                     | -3.9                     |                          |                          |
| 5G NR n70              | 1695 – 1710           | -0.9                     |                          | -3.0                     |                          |                          |                          |
| LTE Band 71, 5G NR n71 | 663 – 698             | -5.4                     | -7.0                     |                          |                          |                          |                          |
| 5G NR n77              | 3300 – 4200           |                          | -3.8                     |                          | -5.1                     | 1.0                      | -0.8                     |
| 5G NR n78              | 3300 – 3800           |                          | -2.0                     |                          | -4.3                     | -0.2                     | -0.4                     |

### 6.3. MAXIMUM OUTPUT POWER

#### EIRP/ERP TEST PROCEDURE

ANSI C63.26:2015

KDB 971168 D01 Section 5.6

$$\text{ERP/EIRP} = \text{PMeas} + \text{GT} - \text{LC}$$

where: ERP/EIRP = effective or equivalent radiated power, respectively (expressed in the same units as PMeas, typically dBW or dBm);

PMeas = measured transmitter output power or PSD, in dBm or dBW;

GT = gain of the transmitting antenna, in dBd (ERP) or dBi (EIRP);

LC = signal attenuation in the connecting cable between the transmitter and antenna, in dB.

For devices utilizing multiple antennas, KDB 662911 provides guidance for determining the effective array transmit antenna gain term to be used in the above equation.

EUT includes different power levels for head use configuration and body use configuration and the below tables contain the highest of all configurations average conducted and ERP/EIRP output powers as follows:

**LTE BAND 5**

| Part 22                   |            |                     |                       |                         |                   |                 |              |                     |
|---------------------------|------------|---------------------|-----------------------|-------------------------|-------------------|-----------------|--------------|---------------------|
| ERP Limit (W)             |            | 7.00                |                       |                         |                   |                 |              |                     |
| Antenna Gain (dBi)_Ant(1) |            | -4.00               |                       |                         |                   |                 |              |                     |
| Bandwidth (MHz)           | Modulation | Low Frequency (MHz) | Upper Frequency (MHz) | Conducted Average (dBm) | ERP Average (dBm) | ERP Average (W) | 99% BW (kHz) | Emission Designator |
| 1.4                       | QPSK       | 824.7               | 848.3                 | 24.50                   | 18.35             | 0.068           | 1088         | 1M09G7W             |
|                           | 16QAM      |                     |                       | 23.70                   | 17.55             | 0.057           | 1078         | 1M08D7W             |
| 3.0                       | QPSK       | 825.5               | 847.5                 | 24.50                   | 18.35             | 0.068           | 2699         | 2M70G7W             |
|                           | 16QAM      |                     |                       | 23.80                   | 17.65             | 0.058           | 2706         | 2M71D7W             |
| 5.0                       | QPSK       | 826.5               | 846.5                 | 24.50                   | 18.35             | 0.068           | 4503         | 4M50G7W             |
|                           | 16QAM      |                     |                       | 23.90                   | 17.75             | 0.060           | 4511         | 4M51D7W             |
| 10.0                      | QPSK       | 829.0               | 844.0                 | 25.00                   | 18.85             | 0.077           | 9016         | 9M02G7W             |
|                           | 16QAM      |                     |                       | 24.00                   | 17.85             | 0.061           | 8993         | 8M99D7W             |

**5G NR n5**

| Part 22            |            |                     |                       |                         |                   |                 |              |                     |
|--------------------|------------|---------------------|-----------------------|-------------------------|-------------------|-----------------|--------------|---------------------|
| ERP Limit (W)      |            | 7.00                |                       |                         |                   |                 |              |                     |
| Antenna Gain (dBi) |            | -4.00               |                       |                         |                   |                 |              |                     |
| Bandwidth (MHz)    | Modulation | Low Frequency (MHz) | Upper Frequency (MHz) | Conducted Average (dBm) | ERP Average (dBm) | ERP Average (W) | 99% BW (kHz) | Emission Designator |
| 5.0                | BPSK       | 826.5               | 846.5                 | 25.00                   | 18.85             | 0.077           | 4514         | 4M51G7W             |
|                    | QPSK       |                     |                       | 24.80                   | 18.65             | 0.073           | 4489         | 4M49G7W             |
|                    | 16QAM      |                     |                       | 24.90                   | 18.75             | 0.075           | 4488         | 4M49D7W             |
| 10.0               | BPSK       | 829.0               | 844.0                 | 24.80                   | 18.65             | 0.073           | 8968         | 8M97G7W             |
|                    | QPSK       |                     |                       | 25.00                   | 18.85             | 0.077           | 8968         | 8M97G7W             |
|                    | 16QAM      |                     |                       | 24.70                   | 18.55             | 0.072           | 8970         | 8M97D7W             |
| 15.0               | BPSK       | 831.5               | 841.5                 | 24.90                   | 18.75             | 0.075           | 13424        | 13M4G7W             |
|                    | QPSK       |                     |                       | 25.00                   | 18.85             | 0.077           | 13421        | 13M4G7W             |
|                    | 16QAM      |                     |                       | 24.90                   | 18.75             | 0.075           | 13427        | 13M4D7W             |
| 20.0               | BPSK       | 834.0               | 839.0                 | 24.90                   | 18.75             | 0.075           | 17892        | 17M9G7W             |
|                    | QPSK       |                     |                       | 25.00                   | 18.85             | 0.077           | 17871        | 17M9G7W             |
|                    | 16QAM      |                     |                       | 24.80                   | 18.65             | 0.073           | 17812        | 17M8D7W             |

**LTE BAND 7**

| Part 27            |            |                     |                       |                         |                    |                  |              |                     |
|--------------------|------------|---------------------|-----------------------|-------------------------|--------------------|------------------|--------------|---------------------|
| EIRP Limit (W)     |            | 2.00                |                       |                         |                    |                  |              |                     |
| Antenna Gain (dBi) |            | -1.00               |                       |                         |                    |                  |              |                     |
| Bandwidth (MHz)    | Modulation | Low Frequency (MHz) | Upper Frequency (MHz) | Conducted Average (dBm) | EIRP Average (dBm) | EIRP Average (W) | 99% BW (kHz) | Emission Designator |
| 5.0                | QPSK       | 2502.5              | 2567.5                | 24.60                   | 23.60              | 0.229            | 4515         | 4M52G7W             |
|                    | 16QAM      |                     |                       | 24.00                   | 23.00              | 0.200            | 4507         | 4M51D7W             |
| 10.0               | QPSK       | 2505.0              | 2565.0                | 24.50                   | 23.50              | 0.224            | 9009         | 9M01G7W             |
|                    | 16QAM      |                     |                       | 23.80                   | 22.80              | 0.191            | 9003         | 9M00D7W             |
| 15.0               | QPSK       | 2507.5              | 2562.5                | 24.60                   | 23.60              | 0.229            | 13472        | 13M5G7W             |
|                    | 16QAM      |                     |                       | 24.00                   | 23.00              | 0.200            | 13472        | 13M5D7W             |
| 20.0               | QPSK       | 2510.0              | 2560.0                | 24.20                   | 23.20              | 0.209            | 17945        | 17M9G7W             |
|                    | 16QAM      |                     |                       | 23.80                   | 22.80              | 0.191            | 17935        | 17M9D7W             |

**5G NR n7**

| Part 27            |            |                     |                       |                         |                    |                  |              |                     |
|--------------------|------------|---------------------|-----------------------|-------------------------|--------------------|------------------|--------------|---------------------|
| EIRP Limit (W)     |            | 2.00                |                       |                         |                    |                  |              |                     |
| Antenna Gain (dBi) |            | -1.00               |                       |                         |                    |                  |              |                     |
| Bandwidth (MHz)    | Modulation | Low Frequency (MHz) | Upper Frequency (MHz) | Conducted Average (dBm) | EIRP Average (dBm) | EIRP Average (W) | 99% BW (kHz) | Emission Designator |
| 5.0                | BPSK       | 2502.5              | 2567.5                | 24.40                   | 23.40              | 0.219            | 4493         | 4M49G7W             |
|                    | QPSK       |                     |                       | 24.40                   | 23.40              | 0.219            | 4501         | 4M50G7W             |
|                    | 16QAM      |                     |                       | 23.30                   | 22.30              | 0.170            | 4527         | 4M53D7W             |
| 10.0               | BPSK       | 2505.0              | 2565.0                | 24.40                   | 23.40              | 0.219            | 8995         | 9M00G7W             |
|                    | QPSK       |                     |                       | 24.40                   | 23.40              | 0.219            | 8991         | 8M99G7W             |
|                    | 16QAM      |                     |                       | 23.40                   | 22.40              | 0.174            | 9014         | 9M01D7W             |
| 15.0               | BPSK       | 2507.5              | 2562.5                | 24.40                   | 23.40              | 0.219            | 13466        | 13M5G7W             |
|                    | QPSK       |                     |                       | 24.40                   | 23.40              | 0.219            | 13471        | 13M5G7W             |
|                    | 16QAM      |                     |                       | 23.40                   | 22.40              | 0.174            | 13491        | 13M5D7W             |
| 20.0               | BPSK       | 2510.0              | 2560.0                | 24.40                   | 23.40              | 0.219            | 17960        | 18M0G7W             |
|                    | QPSK       |                     |                       | 24.40                   | 23.40              | 0.219            | 17934        | 17M9G7W             |
|                    | 16QAM      |                     |                       | 23.60                   | 22.60              | 0.182            | 17937        | 17M9D7W             |
| 25.0               | BPSK       | 2512.5              | 2557.5                | 24.40                   | 23.40              | 0.219            | 22971        | 23M0G7W             |
|                    | QPSK       |                     |                       | 24.40                   | 23.40              | 0.219            | 22998        | 23M0G7W             |
|                    | 16QAM      |                     |                       | 23.40                   | 22.40              | 0.174            | 23005        | 23M0D7W             |
| 30.0               | BPSK       | 2515.0              | 2555.0                | 24.40                   | 23.40              | 0.219            | 28679        | 28M7G7W             |
|                    | QPSK       |                     |                       | 24.40                   | 23.40              | 0.219            | 28572        | 28M6G7W             |
|                    | 16QAM      |                     |                       | 23.50                   | 22.50              | 0.178            | 28708        | 28M7D7W             |
| 40.0               | BPSK       | 2520.0              | 2550.0                | 24.40                   | 23.40              | 0.219            | 38664        | 38M7G7W             |
|                    | QPSK       |                     |                       | 24.40                   | 23.40              | 0.219            | 38675        | 38M7G7W             |
|                    | 16QAM      |                     |                       | 23.60                   | 22.60              | 0.182            | 38873        | 38M9D7W             |
| 50.0               | BPSK       | 2525.0              | 2545.0                | 24.90                   | 23.90              | 0.245            | 48199        | 48M2G7W             |
|                    | QPSK       |                     |                       | 24.80                   | 23.80              | 0.240            | 48205        | 48M2G7W             |
|                    | 16QAM      |                     |                       | 23.80                   | 22.80              | 0.191            | 48108        | 48M1D7W             |



**LTE BAND 12**

| Part 27            |            |                     |                       |                         |                   |                 |              |                     |
|--------------------|------------|---------------------|-----------------------|-------------------------|-------------------|-----------------|--------------|---------------------|
| ERP Limit (W)      |            | 3.00                |                       |                         |                   |                 |              |                     |
| Antenna Gain (dBi) |            | -3.90               |                       |                         |                   |                 |              |                     |
| Bandwidth (MHz)    | Modulation | Low Frequency (MHz) | Upper Frequency (MHz) | Conducted Average (dBm) | ERP Average (dBm) | ERP Average (W) | 99% BW (kHz) | Emission Designator |
| 1.4                | QPSK       | 699.7               | 715.3                 | 24.90                   | 18.85             | 0.077           | 1086         | 1M09G7W             |
|                    | 16QAM      |                     |                       | 24.00                   | 17.95             | 0.062           | 1092         | 1M09D7W             |
| 3.0                | QPSK       | 700.5               | 714.5                 | 24.90                   | 18.85             | 0.077           | 2697         | 2M70G7W             |
|                    | 16QAM      |                     |                       | 24.00                   | 17.95             | 0.062           | 2705         | 2M71D7W             |
| 5.0                | QPSK       | 701.5               | 713.5                 | 24.80                   | 18.75             | 0.075           | 4508         | 4M51G7W             |
|                    | 16QAM      |                     |                       | 24.00                   | 17.95             | 0.062           | 4516         | 4M52D7W             |
| 10.0               | QPSK       | 704.0               | 711.0                 | 24.80                   | 18.75             | 0.075           | 8988         | 8M99G7W             |
|                    | 16QAM      |                     |                       | 23.90                   | 17.85             | 0.061           | 8995         | 9M00D7W             |

**5G NR n12**

| Part 27            |            |                     |                       |                         |                   |                 |              |                     |
|--------------------|------------|---------------------|-----------------------|-------------------------|-------------------|-----------------|--------------|---------------------|
| ERP Limit (W)      |            | 3.00                |                       |                         |                   |                 |              |                     |
| Antenna Gain (dBi) |            | -3.90               |                       |                         |                   |                 |              |                     |
| Bandwidth (MHz)    | Modulation | Low Frequency (MHz) | Upper Frequency (MHz) | Conducted Average (dBm) | ERP Average (dBm) | ERP Average (W) | 99% BW (kHz) | Emission Designator |
| 5.0                | BPSK       | 701.5               | 713.5                 | 24.80                   | 18.75             | 0.075           | 4497         | 4M50G7W             |
|                    | QPSK       |                     |                       | 23.70                   | 17.65             | 0.058           | 4493         | 4M49G7W             |
|                    | 16QAM      |                     |                       | 23.80                   | 17.75             | 0.060           | 4503         | 4M50D7W             |
| 10.0               | BPSK       | 704.0               | 711.0                 | 24.70                   | 18.65             | 0.073           | 8969         | 8M97G7W             |
|                    | QPSK       |                     |                       | 23.70                   | 17.65             | 0.058           | 8964         | 8M96G7W             |
|                    | 16QAM      |                     |                       | 23.70                   | 17.65             | 0.058           | 8959         | 8M96D7W             |
| 15.0               | BPSK       | 706.5               | 708.5                 | 24.70                   | 18.65             | 0.073           | 13475        | 13M5G7W             |
|                    | QPSK       |                     |                       | 23.70                   | 17.65             | 0.058           | 13413        | 13M4G7W             |
|                    | 16QAM      |                     |                       | 23.90                   | 17.85             | 0.061           | 13437        | 13M4D7W             |

**LTE BAND 13**

| Part 27            |            |                     |                       |                         |                   |                 |              |                     |
|--------------------|------------|---------------------|-----------------------|-------------------------|-------------------|-----------------|--------------|---------------------|
| ERP Limit (W)      |            | 3.00                |                       |                         |                   |                 |              |                     |
| Antenna Gain (dBi) |            | -4.20               |                       |                         |                   |                 |              |                     |
| Bandwidth (MHz)    | Modulation | Low Frequency (MHz) | Upper Frequency (MHz) | Conducted Average (dBm) | ERP Average (dBm) | ERP Average (W) | 99% BW (kHz) | Emission Designator |
| 5.0                | QPSK       | 779.5               | 784.5                 | 25.00                   | 18.65             | 0.073           | 4511         | 4M51G7W             |
|                    | 16QAM      |                     |                       | 24.00                   | 17.65             | 0.058           | 4508         | 4M51D7W             |
| 10.0               | QPSK       | 782.0               | 782.0                 | 24.70                   | 18.35             | 0.068           | 8987         | 8M99G7W             |
|                    | 16QAM      |                     |                       | 23.90                   | 17.55             | 0.057           | 8980         | 8M98D7W             |

**LTE BAND 14**

| Part 90R           |            |                     |                       |                         |                   |                 |              |                     |
|--------------------|------------|---------------------|-----------------------|-------------------------|-------------------|-----------------|--------------|---------------------|
| ERP Limit (W)      |            | 3.00                |                       |                         |                   |                 |              |                     |
| Antenna Gain (dBi) |            | -3.80               |                       |                         |                   |                 |              |                     |
| Bandwidth (MHz)    | Modulation | Low Frequency (MHz) | Upper Frequency (MHz) | Conducted Average (dBm) | ERP Average (dBm) | ERP Average (W) | 99% BW (kHz) | Emission Designator |
| 5.0                | QPSK       | 790.5               | 795.5                 | 25.00                   | 19.05             | 0.080           | 4492         | 4M49G7W             |
|                    | 16QAM      |                     |                       | 24.00                   | 18.05             | 0.064           | 4508         | 4M51D7W             |
| 10.0               | QPSK       | 793.0               | 793.0                 | 24.60                   | 18.65             | 0.073           | 9011         | 9M01G7W             |
|                    | 16QAM      |                     |                       | 23.70                   | 17.75             | 0.060           | 8891         | 8M89D7W             |

**5G NR n14**

| Part 90R           |            |                     |                       |                         |                   |                 |              |                     |
|--------------------|------------|---------------------|-----------------------|-------------------------|-------------------|-----------------|--------------|---------------------|
| ERP Limit (W)      |            | 3.00                |                       |                         |                   |                 |              |                     |
| Antenna Gain (dBi) |            | -3.80               |                       |                         |                   |                 |              |                     |
| Bandwidth (MHz)    | Modulation | Low Frequency (MHz) | Upper Frequency (MHz) | Conducted Average (dBm) | ERP Average (dBm) | ERP Average (W) | 99% BW (kHz) | Emission Designator |
| 5.0                | BPSK       | 790.5               | 795.5                 | 25.00                   | 19.05             | 0.080           | 4505         | 4M50G7W             |
|                    | QPSK       |                     |                       | 24.80                   | 18.85             | 0.077           | 4499         | 4M50G7W             |
|                    | 16QAM      |                     |                       | 25.00                   | 19.05             | 0.080           | 4496         | 4M50D7W             |
| 10.0               | BPSK       | 793.0               | 793.0                 | 24.70                   | 18.75             | 0.075           | 8966         | 8M97G7W             |
|                    | QPSK       |                     |                       | 24.90                   | 18.95             | 0.079           | 8970         | 8M97G7W             |
|                    | 16QAM      |                     |                       | 24.90                   | 18.95             | 0.079           | 8987         | 8M99D7W             |

**LTE BAND 17**

| Part 27            |            |                     |                       |                         |                   |                 |              |                     |
|--------------------|------------|---------------------|-----------------------|-------------------------|-------------------|-----------------|--------------|---------------------|
| ERP Limit (W)      |            | 3.00                |                       |                         |                   |                 |              |                     |
| Antenna Gain (dBi) |            | -3.90               |                       |                         |                   |                 |              |                     |
| Bandwidth (MHz)    | Modulation | Low Frequency (MHz) | Upper Frequency (MHz) | Conducted Average (dBm) | ERP Average (dBm) | ERP Average (W) | 99% BW (kHz) | Emission Designator |
| 5.0                | QPSK       | 706.5               | 713.5                 | 24.80                   | 18.75             | 0.075           | 4509         | 4M51G7W             |
|                    | 16QAM      |                     |                       | 23.90                   | 17.85             | 0.061           | 4514         | 4M51D7W             |
| 10.0               | QPSK       | 709.0               | 711.0                 | 24.90                   | 18.85             | 0.077           | 8988         | 8M99G7W             |
|                    | 16QAM      |                     |                       | 24.00                   | 17.95             | 0.062           | 8990         | 8M99D7W             |

**LTE BAND 25**

| Part 24            |            |                     |                       |                         |                    |                  |              |                     |
|--------------------|------------|---------------------|-----------------------|-------------------------|--------------------|------------------|--------------|---------------------|
| EIRP Limit (W)     |            | 2.00                |                       |                         |                    |                  |              |                     |
| Antenna Gain (dBi) |            | -0.60               |                       |                         |                    |                  |              |                     |
| Bandwidth (MHz)    | Modulation | Low Frequency (MHz) | Upper Frequency (MHz) | Conducted Average (dBm) | EIRP Average (dBm) | EIRP Average (W) | 99% BW (kHz) | Emission Designator |
| 1.4                | QPSK       | 1850.7              | 1914.3                | 24.70                   | 24.10              | 0.257            | 1091         | 1M09G7W             |
|                    | 16QAM      |                     |                       | 23.90                   | 23.30              | 0.214            | 1089         | 1M09D7W             |
| 3.0                | QPSK       | 1851.5              | 1913.5                | 24.60                   | 24.00              | 0.251            | 2707         | 2M71G7W             |
|                    | 16QAM      |                     |                       | 23.90                   | 23.30              | 0.214            | 2706         | 2M71D7W             |
| 5.0                | QPSK       | 1852.5              | 1912.5                | 24.60                   | 24.00              | 0.251            | 4515         | 4M52G7W             |
|                    | 16QAM      |                     |                       | 23.80                   | 23.20              | 0.209            | 4506         | 4M51D7W             |
| 10.0               | QPSK       | 1855.0              | 1910.0                | 24.80                   | 24.20              | 0.263            | 9007         | 9M01G7W             |
|                    | 16QAM      |                     |                       | 23.80                   | 23.20              | 0.209            | 8994         | 8M99D7W             |
| 15.0               | QPSK       | 1857.5              | 1907.5                | 24.90                   | 24.30              | 0.269            | 13457        | 13M5G7W             |
|                    | 16QAM      |                     |                       | 23.80                   | 23.20              | 0.209            | 13470        | 13M5D7W             |
| 20.0               | QPSK       | 1860.0              | 1905.0                | 24.70                   | 24.10              | 0.257            | 17914        | 17M9G7W             |
|                    | 16QAM      |                     |                       | 23.90                   | 23.30              | 0.214            | 17919        | 17M9D7W             |

**5G NR n25**

| Part 24            |            |                     |                       |                         |                    |                  |              |                     |
|--------------------|------------|---------------------|-----------------------|-------------------------|--------------------|------------------|--------------|---------------------|
| EIRP Limit (W)     |            | 2.00                |                       |                         |                    |                  |              |                     |
| Antenna Gain (dBi) |            | -0.60               |                       |                         |                    |                  |              |                     |
| Bandwidth (MHz)    | Modulation | Low Frequency (MHz) | Upper Frequency (MHz) | Conducted Average (dBm) | EIRP Average (dBm) | EIRP Average (W) | 99% BW (kHz) | Emission Designator |
| 5.0                | BPSK       | 1852.5              | 1912.5                | 24.90                   | 24.30              | 0.269            | 4510         | 4M51G7W             |
|                    | QPSK       |                     |                       | 24.30                   | 23.70              | 0.234            | 4501         | 4M50G7W             |
|                    | 16QAM      |                     |                       | 23.70                   | 23.10              | 0.204            | 4497         | 4M50D7W             |
| 10.0               | BPSK       | 1855.0              | 1910.0                | 24.80                   | 24.20              | 0.263            | 8972         | 8M97G7W             |
|                    | QPSK       |                     |                       | 24.70                   | 24.10              | 0.257            | 9009         | 9M01G7W             |
|                    | 16QAM      |                     |                       | 23.40                   | 22.80              | 0.191            | 9096         | 9M10D7W             |
| 15.0               | BPSK       | 1857.5              | 1907.5                | 24.80                   | 24.20              | 0.263            | 13442        | 13M4G7W             |
|                    | QPSK       |                     |                       | 24.70                   | 24.10              | 0.257            | 13434        | 13M4G7W             |
|                    | 16QAM      |                     |                       | 23.30                   | 22.70              | 0.186            | 13462        | 13M5D7W             |
| 20.0               | BPSK       | 1860.0              | 1905.0                | 24.80                   | 24.20              | 0.263            | 17905        | 17M9G7W             |
|                    | QPSK       |                     |                       | 24.40                   | 23.80              | 0.240            | 17939        | 17M9G7W             |
|                    | 16QAM      |                     |                       | 23.50                   | 22.90              | 0.195            | 17894        | 17M9D7W             |
| 25.0               | BPSK       | 1862.5              | 1902.5                | 24.80                   | 24.20              | 0.263            | 23008        | 23M0G7W             |
|                    | QPSK       |                     |                       | 24.40                   | 23.80              | 0.240            | 22869        | 22M9G7W             |
|                    | 16QAM      |                     |                       | 23.60                   | 23.00              | 0.200            | 22919        | 22M9D7W             |
| 30.0               | BPSK       | 1865.0              | 1900.0                | 24.70                   | 24.10              | 0.257            | 28759        | 28M8G7W             |
|                    | QPSK       |                     |                       | 24.30                   | 23.70              | 0.234            | 28634        | 28M6G7W             |
|                    | 16QAM      |                     |                       | 23.50                   | 22.90              | 0.195            | 28700        | 28M7D7W             |
| 35.0               | BPSK       | 1867.5              | 1897.5                | 24.80                   | 24.20              | 0.263            | 32312        | 32M3G7W             |
|                    | QPSK       |                     |                       | 24.30                   | 23.70              | 0.234            | 32207        | 32M2G7W             |
|                    | 16QAM      |                     |                       | 23.40                   | 22.80              | 0.191            | 32157        | 32M2D7W             |
| 40.0               | BPSK       | 1870.0              | 1895.0                | 24.70                   | 24.10              | 0.257            | 38745        | 38M7G7W             |
|                    | QPSK       |                     |                       | 24.30                   | 23.70              | 0.234            | 38734        | 38M7G7W             |
|                    | 16QAM      |                     |                       | 23.50                   | 22.90              | 0.195            | 38721        | 38M7D7W             |

**LTE BAND 26 (FCC Part 90S)**

| Part 90S            |            |                     |                       |                         |                       |                   |                 |              |                     |  |  |
|---------------------|------------|---------------------|-----------------------|-------------------------|-----------------------|-------------------|-----------------|--------------|---------------------|--|--|
| Conducted Limit (W) |            | 100.00              |                       |                         |                       |                   |                 |              |                     |  |  |
| Antenna Gain (dBi)  |            | -4.00               |                       |                         |                       |                   |                 |              |                     |  |  |
| Bandwidth (MHz)     | Modulation | Low Frequency (MHz) | Upper Frequency (MHz) | Conducted Average (dBm) | Conducted Average (W) | ERP Average (dBm) | ERP Average (W) | 99% BW (kHz) | Emission Designator |  |  |
| 1.4                 | QPSK       | 814.7               | 823.3                 | 25.00                   | 0.316                 | 18.85             | 0.077           | 1087         | 1M09G7W             |  |  |
|                     | 16QAM      |                     |                       | 24.00                   | 0.251                 | 17.85             | 0.061           | 1093         | 1M09D7W             |  |  |
| 3.0                 | QPSK       | 815.5               | 822.5                 | 25.00                   | 0.316                 | 18.85             | 0.077           | 2698         | 2M70G7W             |  |  |
|                     | 16QAM      |                     |                       | 24.00                   | 0.251                 | 17.85             | 0.061           | 2702         | 2M70D7W             |  |  |
| 5.0                 | QPSK       | 816.5               | 821.5                 | 25.00                   | 0.316                 | 18.85             | 0.077           | 4512         | 4M51G7W             |  |  |
|                     | 16QAM      |                     |                       | 24.00                   | 0.251                 | 17.85             | 0.061           | 4507         | 4M51D7W             |  |  |
| 10.0                | QPSK       | 819.0               | 819.0                 | 24.90                   | 0.309                 | 18.75             | 0.075           | 8999         | 9M00G7W             |  |  |
|                     | 16QAM      |                     |                       | 24.00                   | 0.251                 | 17.85             | 0.061           | 8974         | 8M97D7W             |  |  |

**5G NR n26 (FCC Part 90S)**

| Part 90S            |            |                     |                       |                         |                       |                   |                 |              |                     |  |  |
|---------------------|------------|---------------------|-----------------------|-------------------------|-----------------------|-------------------|-----------------|--------------|---------------------|--|--|
| Conducted Limit (W) |            | 100.00              |                       |                         |                       |                   |                 |              |                     |  |  |
| Antenna Gain (dBi)  |            | -4.00               |                       |                         |                       |                   |                 |              |                     |  |  |
| Bandwidth (MHz)     | Modulation | Low Frequency (MHz) | Upper Frequency (MHz) | Conducted Average (dBm) | Conducted Average (W) | ERP Average (dBm) | ERP Average (W) | 99% BW (kHz) | Emission Designator |  |  |
| 5.0                 | BPSK       | 816.5               | 821.5                 | 24.90                   | 0.309                 | 18.75             | 0.075           | 4496         | 4M50G7W             |  |  |
|                     | QPSK       |                     |                       | 23.80                   | 0.240                 | 17.65             | 0.058           | 4493         | 4M49G7W             |  |  |
|                     | 16QAM      |                     |                       | 23.90                   | 0.245                 | 17.75             | 0.060           | 4517         | 4M52D7W             |  |  |
| 10.0                | BPSK       | 819.0               | 819.0                 | 24.70                   | 0.295                 | 18.55             | 0.072           | 8963         | 8M96G7W             |  |  |
|                     | QPSK       |                     |                       | 24.40                   | 0.275                 | 18.25             | 0.067           | 8978         | 8M98G7W             |  |  |
|                     | 16QAM      |                     |                       | 23.80                   | 0.240                 | 17.65             | 0.058           | 8959         | 8M96D7W             |  |  |

**LTE BAND 26 (FCC Part 22)**

| Part 22                    |            |                     |                       |                         |                   |                 |              |                     |  |  |  |
|----------------------------|------------|---------------------|-----------------------|-------------------------|-------------------|-----------------|--------------|---------------------|--|--|--|
| ERP Limit (W)              |            | 7.00                |                       |                         |                   |                 |              |                     |  |  |  |
| Antenna Gain (dBi) (Ant_0) |            | -4.00               |                       |                         |                   |                 |              |                     |  |  |  |
| Bandwidth (MHz)            | Modulation | Low Frequency (MHz) | Upper Frequency (MHz) | Conducted Average (dBm) | ERP Average (dBm) | ERP Average (W) | 99% BW (kHz) | Emission Designator |  |  |  |
| 1.4                        | QPSK       | 824.7               | 848.3                 | 25.00                   | 18.85             | 0.077           | 1091         | 1M09G7W             |  |  |  |
|                            | 16QAM      |                     |                       | 24.00                   | 17.85             | 0.061           | 1091         | 1M09D7W             |  |  |  |
| 3.0                        | QPSK       | 825.5               | 847.5                 | 25.00                   | 18.85             | 0.077           | 2710         | 2M71G7W             |  |  |  |
|                            | 16QAM      |                     |                       | 24.00                   | 17.85             | 0.061           | 2703         | 2M70D7W             |  |  |  |
| 5.0                        | QPSK       | 826.5               | 846.5                 | 24.90                   | 18.75             | 0.075           | 4502         | 4M50G7W             |  |  |  |
|                            | 16QAM      |                     |                       | 24.00                   | 17.85             | 0.061           | 4498         | 4M50D7W             |  |  |  |
| 10.0                       | QPSK       | 829.0               | 844.0                 | 25.00                   | 18.85             | 0.077           | 9009         | 9M01G7W             |  |  |  |
|                            | 16QAM      |                     |                       | 24.00                   | 17.85             | 0.061           | 8994         | 8M99D7W             |  |  |  |
| 15.0                       | QPSK       | 831.5               | 841.5                 | 25.00                   | 18.85             | 0.077           | 13444        | 13M4G7W             |  |  |  |
|                            | 16QAM      |                     |                       | 24.00                   | 17.85             | 0.061           | 13385        | 13M4D7W             |  |  |  |

**5G NR n26 (FCC Part 22)**

| Part 22            |            |                     |                       |                         |                   |                 |              |                     |
|--------------------|------------|---------------------|-----------------------|-------------------------|-------------------|-----------------|--------------|---------------------|
| ERP Limit (W)      |            | 7.00                |                       |                         |                   |                 |              |                     |
| Antenna Gain (dBi) |            | -4.00               |                       |                         |                   |                 |              |                     |
| Bandwidth (MHz)    | Modulation | Low Frequency (MHz) | Upper Frequency (MHz) | Conducted Average (dBm) | ERP Average (dBm) | ERP Average (W) | 99% BW (kHz) | Emission Designator |
| 5.0                | BPSK       | 826.5               | 846.5                 | 24.90                   | 18.75             | 0.075           | 4491         | 4M49G7W             |
|                    | QPSK       |                     |                       | 24.40                   | 18.25             | 0.067           | 4510         | 4M51G7W             |
|                    | 16QAM      |                     |                       | 24.10                   | 17.95             | 0.062           | 4498         | 4M50D7W             |
| 10.0               | BPSK       | 829.0               | 844.0                 | 24.90                   | 18.75             | 0.075           | 8966         | 8M97G7W             |
|                    | QPSK       |                     |                       | 24.40                   | 18.25             | 0.067           | 8965         | 8M96G7W             |
|                    | 16QAM      |                     |                       | 24.10                   | 17.95             | 0.062           | 8987         | 8M99D7W             |
| 15.0               | BPSK       | 831.5               | 841.5                 | 24.90                   | 18.75             | 0.075           | 13414        | 13M4G7W             |
|                    | QPSK       |                     |                       | 25.00                   | 18.85             | 0.077           | 13385        | 13M4G7W             |
|                    | 16QAM      |                     |                       | 24.30                   | 18.15             | 0.065           | 13410        | 13M4D7W             |
| 20.0               | BPSK       | 834.0               | 839.0                 | 25.00                   | 18.85             | 0.077           | 17862        | 17M9G7W             |
|                    | QPSK       |                     |                       | 25.00                   | 18.85             | 0.077           | 17879        | 17M9G7W             |
|                    | 16QAM      |                     |                       | 24.20                   | 18.05             | 0.064           | 17884        | 17M9D7W             |

**LTE BAND 30**

| RSS 195            |            |                     |                       |                         |                    |                  |              |                     |
|--------------------|------------|---------------------|-----------------------|-------------------------|--------------------|------------------|--------------|---------------------|
| EIRP Limit (W)     |            | 0.25                |                       |                         |                    |                  |              |                     |
| Antenna Gain (dBi) |            | -1.20               |                       |                         |                    |                  |              |                     |
| Bandwidth (MHz)    | Modulation | Low Frequency (MHz) | Upper Frequency (MHz) | Conducted Average (dBm) | EIRP Average (dBm) | EIRP Average (W) | 99% BW (kHz) | Emission Designator |
| 5.0                | QPSK       | 2307.5              | 2312.5                | 24.00                   | 22.80              | 0.191            | 4505         | 4M51G7W             |
|                    | 16QAM      |                     |                       | 23.40                   | 22.20              | 0.166            | 4512         | 4M51D7W             |
| 10.0               | QPSK       | 2310.0              | 2310.0                | 24.20                   | 23.00              | 0.200            | 9003         | 9M00G7W             |
|                    | 16QAM      |                     |                       | 23.50                   | 22.30              | 0.170            | 9000         | 9M00D7W             |

**5G NR n30**

| RSS 195            |            |                     |                       |                         |                    |                  |              |                     |
|--------------------|------------|---------------------|-----------------------|-------------------------|--------------------|------------------|--------------|---------------------|
| EIRP Limit (W)     |            | 0.25                |                       |                         |                    |                  |              |                     |
| Antenna Gain (dBi) |            | -1.20               |                       |                         |                    |                  |              |                     |
| Bandwidth (MHz)    | Modulation | Low Frequency (MHz) | Upper Frequency (MHz) | Conducted Average (dBm) | EIRP Average (dBm) | EIRP Average (W) | 99% BW (kHz) | Emission Designator |
| 5.0                | BPSK       | 2307.5              | 2312.5                | 24.90                   | 23.70              | 0.234            | 4513         | 4M51G7W             |
|                    | QPSK       |                     |                       | 24.90                   | 23.70              | 0.234            | 4508         | 4M51G7W             |
|                    | 16QAM      |                     |                       | 24.40                   | 23.20              | 0.209            | 4495         | 4M50D7W             |
| 10.0               | BPSK       | 2310.0              | 2310.0                | 24.80                   | 23.60              | 0.229            | 8978         | 8M98G7W             |
|                    | QPSK       |                     |                       | 24.80                   | 23.60              | 0.229            | 8977         | 8M98G7W             |
|                    | 16QAM      |                     |                       | 23.90                   | 22.70              | 0.186            | 8999         | 9M00D7W             |

**LTE BAND 41 HPUE**

| Part 27            |            |                     |                       |                         |                    |                  |              |                     |
|--------------------|------------|---------------------|-----------------------|-------------------------|--------------------|------------------|--------------|---------------------|
| EIRP Limit (W)     |            | 2.00                |                       |                         |                    |                  |              |                     |
| Antenna Gain (dBi) |            | -1.30               |                       |                         |                    |                  |              |                     |
| Bandwidth (MHz)    | Modulation | Low Frequency (MHz) | Upper Frequency (MHz) | Conducted Average (dBm) | EIRP Average (dBm) | EIRP Average (W) | 99% BW (kHz) | Emission Designator |
| 5.0                | QPSK       | 2498.5              | 2687.5                | 26.80                   | 25.50              | 0.355            | 4507         | 4M51G7W             |
|                    | 16QAM      |                     |                       | 26.20                   | 24.90              | 0.309            | 4490         | 4M49D7W             |
| 10.0               | QPSK       | 2501.0              | 2685.0                | 26.80                   | 25.50              | 0.355            | 8987         | 8M99G7W             |
|                    | 16QAM      |                     |                       | 26.10                   | 24.80              | 0.302            | 8987         | 8M99D7W             |
| 15.0               | QPSK       | 2503.5              | 2682.5                | 26.80                   | 25.50              | 0.355            | 13430        | 13M4G7W             |
|                    | 16QAM      |                     |                       | 26.00                   | 24.70              | 0.295            | 13459        | 13M5D7W             |
| 20.0               | QPSK       | 2506.0              | 2680.0                | 26.80                   | 25.50              | 0.355            | 17902        | 17M9G7W             |
|                    | 16QAM      |                     |                       | 26.10                   | 24.80              | 0.302            | 17881        | 17M9D7W             |

**5G NR n41 HPUE**

| Part 27            |            |                     |                       |                         |                    |                  |              |                     |
|--------------------|------------|---------------------|-----------------------|-------------------------|--------------------|------------------|--------------|---------------------|
| EIRP Limit (W)     |            | 2.00                |                       |                         |                    |                  |              |                     |
| Antenna Gain (dBi) |            | -1.30               |                       |                         |                    |                  |              |                     |
| Bandwidth (MHz)    | Modulation | Low Frequency (MHz) | Upper Frequency (MHz) | Conducted Average (dBm) | EIRP Average (dBm) | EIRP Average (W) | 99% BW (kHz) | Emission Designator |
| 10.0               | BPSK       | 2501.0              | 2685.0                | 26.80                   | 25.50              | 0.355            | 8653         | 8M65G7W             |
|                    | QPSK       |                     |                       | 26.80                   | 25.50              | 0.355            | 8687         | 8M69G7W             |
|                    | 16QAM      |                     |                       | 25.70                   | 24.40              | 0.275            | 8665         | 8M66D7W             |
| 15.0               | BPSK       | 2503.5              | 2682.5                | 26.70                   | 25.40              | 0.347            | 12940        | 12M9G7W             |
|                    | QPSK       |                     |                       | 26.70                   | 25.40              | 0.347            | 12891        | 12M9G7W             |
|                    | 16QAM      |                     |                       | 25.60                   | 24.30              | 0.269            | 12908        | 12M9D7W             |
| 20.0               | BPSK       | 2506.5              | 2680.0                | 26.70                   | 25.40              | 0.347            | 17938        | 17M9G7W             |
|                    | QPSK       |                     |                       | 26.70                   | 25.40              | 0.347            | 17884        | 17M9G7W             |
|                    | 16QAM      |                     |                       | 25.60                   | 24.30              | 0.269            | 17879        | 17M9D7W             |
| 25.0               | BPSK       | 2508.5              | 25.0                  | 26.60                   | 25.30              | 0.339            | 22983        | 23M0G7W             |
|                    | QPSK       |                     |                       | 26.60                   | 25.30              | 0.339            | 22945        | 22M9G7W             |
|                    | 16QAM      |                     |                       | 25.50                   | 24.20              | 0.263            | 22986        | 23M0D7W             |
| 30.0               | BPSK       | 2511.0              | 2675.0                | 26.60                   | 25.30              | 0.339            | 26957        | 27M0G7W             |
|                    | QPSK       |                     |                       | 26.60                   | 25.30              | 0.339            | 26934        | 26M9G7W             |
|                    | 16QAM      |                     |                       | 25.70                   | 24.40              | 0.275            | 26871        | 26M9D7W             |
| 40.0               | BPSK       | 2516.0              | 2670.0                | 26.70                   | 25.40              | 0.347            | 35783        | 35M8G7W             |
|                    | QPSK       |                     |                       | 26.70                   | 25.40              | 0.347            | 35872        | 35M9G7W             |
|                    | 16QAM      |                     |                       | 25.70                   | 24.40              | 0.275            | 35739        | 35M7D7W             |
| 50.0               | BPSK       | 2521.0              | 2665.0                | 26.70                   | 25.40              | 0.347            | 45677        | 45M7G7W             |
|                    | QPSK       |                     |                       | 26.70                   | 25.40              | 0.347            | 45725        | 45M7G7W             |
|                    | 16QAM      |                     |                       | 25.90                   | 24.60              | 0.288            | 45680        | 45M7D7W             |
| 60.0               | BPSK       | 2526.0              | 2660.0                | 26.60                   | 25.30              | 0.339            | 57897        | 57M9G7W             |
|                    | QPSK       |                     |                       | 26.70                   | 25.40              | 0.347            | 57987        | 58M0G7W             |
|                    | 16QAM      |                     |                       | 25.60                   | 24.30              | 0.269            | 57876        | 57M9D7W             |
| 70.0               | BPSK       | 2531.0              | 2655.0                | 26.70                   | 25.40              | 0.347            | 64499        | 64M5G7W             |
|                    | QPSK       |                     |                       | 26.80                   | 25.50              | 0.355            | 64557        | 64M6G7W             |
|                    | 16QAM      |                     |                       | 25.80                   | 24.50              | 0.282            | 64606        | 64M6D7W             |
| 80.0               | BPSK       | 2536.0              | 2650.0                | 26.90                   | 25.60              | 0.363            | 77336        | 77M3G7W             |
|                    | QPSK       |                     |                       | 26.80                   | 25.50              | 0.355            | 77362        | 77M4G7W             |
|                    | 16QAM      |                     |                       | 25.70                   | 24.40              | 0.275            | 77325        | 77M3D7W             |
| 90.0               | BPSK       | 2541.0              | 2645.0                | 26.90                   | 25.60              | 0.363            | 86814        | 86M8G7W             |
|                    | QPSK       |                     |                       | 26.90                   | 25.60              | 0.363            | 86885        | 86M9G7W             |
|                    | 16QAM      |                     |                       | 25.80                   | 24.50              | 0.282            | 86886        | 86M9D7W             |
| 100.0              | BPSK       | 2546.0              | 2640.0                | 26.90                   | 25.60              | 0.363            | 96493        | 96M5G7W             |
|                    | QPSK       |                     |                       | 26.90                   | 25.60              | 0.363            | 96461        | 96M5G7W             |
|                    | 16QAM      |                     |                       | 26.10                   | 24.80              | 0.302            | 96386        | 96M4D7W             |

**LTE BAND 48**

| Part 96               |            |                     |                       |                         |                    |                  |              |                     |
|-----------------------|------------|---------------------|-----------------------|-------------------------|--------------------|------------------|--------------|---------------------|
| EIRP Limit (W)/ 10MHz |            | 0.20                |                       |                         |                    |                  |              |                     |
| Antenna Gain (dBi)    |            | -0.90               |                       |                         |                    |                  |              |                     |
| Bandwidth (MHz)       | Modulation | Low Frequency (MHz) | Upper Frequency (MHz) | Conducted Average (dBm) | EIRP Average (dBm) | EIRP Average (W) | 99% BW (kHz) | Emission Designator |
| 5.0                   | QPSK       | 3552.5              | 3697.5                | 22.70                   | 21.80              | 0.151            | 4502         | 4M50G7W             |
|                       | 16QAM      |                     |                       | 22.70                   | 21.80              | 0.151            | 4480         | 4M48D7W             |
| 10.0                  | QPSK       | 3555.0              | 3695.0                | 22.80                   | 21.90              | 0.155            | 8944         | 8M94G7W             |
|                       | 16QAM      |                     |                       | 22.70                   | 21.80              | 0.151            | 9004         | 9M00D7W             |
| 15.0                  | QPSK       | 3557.5              | 3692.5                | 22.70                   | 21.80              | 0.151            | 13427        | 13M4G7W             |
|                       | 16QAM      |                     |                       | 22.60                   | 21.70              | 0.148            | 13396        | 13M4D7W             |
| 20.0                  | QPSK       | 3560.0              | 3690.0                | 23.60                   | 22.70              | 0.186            | 17875        | 17M9G7W             |
|                       | 16QAM      |                     |                       | 22.70                   | 21.80              | 0.151            | 17866        | 17M9D7W             |

**5G NR n48**

| Part 96            |            |                     |                       |                         |                    |                  |              |                     |
|--------------------|------------|---------------------|-----------------------|-------------------------|--------------------|------------------|--------------|---------------------|
| EIRP Limit (W)     |            | 0.20                |                       |                         |                    |                  |              |                     |
| Antenna Gain (dBi) |            | -0.10               |                       |                         |                    |                  |              |                     |
| Bandwidth (MHz)    | Modulation | Low Frequency (MHz) | Upper Frequency (MHz) | Conducted Average (dBm) | EIRP Average (dBm) | EIRP Average (W) | 99% BW (kHz) | Emission Designator |
| 10.0               | BPSK       | 3555.0              | 3695.0                | 22.90                   | 22.80              | 0.191            | 8620         | 8M62G7W             |
|                    | QPSK       |                     |                       | 22.90                   | 22.80              | 0.191            | 8636         | 8M64G7W             |
|                    | 16QAM      |                     |                       | 22.90                   | 22.80              | 0.191            | 8570         | 8M57D7W             |
| 15.0               | BPSK       | 3557.5              | 3692.5                | 22.90                   | 22.80              | 0.191            | 12891        | 12M9G7W             |
|                    | QPSK       |                     |                       | 22.80                   | 22.70              | 0.186            | 12854        | 12M9G7W             |
|                    | 16QAM      |                     |                       | 22.90                   | 22.80              | 0.191            | 12907        | 12M9D7W             |
| 20.0               | BPSK       | 3560.0              | 3690.0                | 22.90                   | 22.80              | 0.191            | 17874        | 17M9G7W             |
|                    | QPSK       |                     |                       | 22.80                   | 22.70              | 0.186            | 17792        | 17M8G7W             |
|                    | 16QAM      |                     |                       | 22.80                   | 22.70              | 0.186            | 17872        | 17M9D7W             |
| 30.0               | BPSK       | 3565.0              | 3685.0                | 22.80                   | 22.70              | 0.186            | 26804        | 26M8G7W             |
|                    | QPSK       |                     |                       | 22.80                   | 22.70              | 0.186            | 26915        | 26M9G7W             |
|                    | 16QAM      |                     |                       | 22.80                   | 22.70              | 0.186            | 26917        | 26M9D7W             |
| 40.0               | BPSK       | 3570.0              | 3680.0                | 22.90                   | 22.80              | 0.191            | 35756        | 35M8G7W             |
|                    | QPSK       |                     |                       | 22.90                   | 22.80              | 0.191            | 35764        | 35M8G7W             |
|                    | 16QAM      |                     |                       | 22.80                   | 22.70              | 0.186            | 35886        | 35M9D7W             |

**LTE BAND 66**

| Part 27            |            |                     |                       |                         |                    |                  |              |                     |
|--------------------|------------|---------------------|-----------------------|-------------------------|--------------------|------------------|--------------|---------------------|
| EIRP Limit (W)     |            | 1.00                |                       |                         |                    |                  |              |                     |
| Antenna Gain (dBi) |            | -0.20               |                       |                         |                    |                  |              |                     |
| Bandwidth (MHz)    | Modulation | Low Frequency (MHz) | Upper Frequency (MHz) | Conducted Average (dBm) | EIRP Average (dBm) | EIRP Average (W) | 99% BW (kHz) | Emission Designator |
| 1.4                | QPSK       | 1710.7              | 1779.3                | 24.30                   | 24.10              | 0.257            | 1090         | 1M09G7W             |
|                    | 16QAM      |                     |                       | 23.40                   | 23.20              | 0.209            | 1091         | 1M09D7W             |
| 3.0                | QPSK       | 1711.5              | 1778.5                | 24.30                   | 24.10              | 0.257            | 2700         | 2M70G7W             |
|                    | 16QAM      |                     |                       | 23.80                   | 23.60              | 0.229            | 2699         | 2M70D7W             |
| 5.0                | QPSK       | 1712.5              | 1777.5                | 24.20                   | 24.00              | 0.251            | 4505         | 4M51G7W             |
|                    | 16QAM      |                     |                       | 23.60                   | 23.40              | 0.219            | 4515         | 4M52D7W             |
| 10.0               | QPSK       | 1715.0              | 1775.0                | 24.20                   | 24.00              | 0.251            | 8979         | 8M98G7W             |
|                    | 16QAM      |                     |                       | 23.70                   | 23.50              | 0.224            | 9000         | 9M00D7W             |
| 15.0               | QPSK       | 1717.5              | 1772.5                | 24.30                   | 24.10              | 0.257            | 13458        | 13M5G7W             |
|                    | 16QAM      |                     |                       | 23.50                   | 23.30              | 0.214            | 13475        | 13M5D7W             |
| 20.0               | QPSK       | 1720.0              | 1770.0                | 24.40                   | 24.20              | 0.263            | 17936        | 17M9G7W             |
|                    | 16QAM      |                     |                       | 23.70                   | 23.50              | 0.224            | 17931        | 17M9D7W             |

**5G NR n66**

| Part 27            |            |                     |                       |                         |                    |                  |              |                     |
|--------------------|------------|---------------------|-----------------------|-------------------------|--------------------|------------------|--------------|---------------------|
| EIRP Limit (W)     |            | 1.00                |                       |                         |                    |                  |              |                     |
| Antenna Gain (dBi) |            | -0.20               |                       |                         |                    |                  |              |                     |
| Bandwidth (MHz)    | Modulation | Low Frequency (MHz) | Upper Frequency (MHz) | Conducted Average (dBm) | EIRP Average (dBm) | EIRP Average (W) | 99% BW (kHz) | Emission Designator |
| 5.0                | BPSK       | 1712.5              | 1777.5                | 24.80                   | 24.60              | 0.288            | 4516         | 4M52G7W             |
|                    | QPSK       |                     |                       | 24.80                   | 24.60              | 0.288            | 4499         | 4M50G7W             |
|                    | 16QAM      |                     |                       | 23.90                   | 23.70              | 0.234            | 4516         | 4M52D7W             |
| 10.0               | BPSK       | 1715.0              | 1775.0                | 24.90                   | 24.70              | 0.295            | 8982         | 8M98G7W             |
|                    | QPSK       |                     |                       | 24.90                   | 24.70              | 0.295            | 8975         | 8M98G7W             |
|                    | 16QAM      |                     |                       | 23.90                   | 23.70              | 0.234            | 8993         | 8M99D7W             |
| 15.0               | BPSK       | 1717.5              | 1772.5                | 24.80                   | 24.60              | 0.288            | 13444        | 13M4G7W             |
|                    | QPSK       |                     |                       | 24.70                   | 24.50              | 0.282            | 13485        | 13M5G7W             |
|                    | 16QAM      |                     |                       | 23.90                   | 23.70              | 0.234            | 13443        | 13M4D7W             |
| 20.0               | BPSK       | 1720.0              | 1770.0                | 24.70                   | 24.50              | 0.282            | 17911        | 17M9G7W             |
|                    | QPSK       |                     |                       | 24.70                   | 24.50              | 0.282            | 17968        | 18M0G7W             |
|                    | 16QAM      |                     |                       | 24.00                   | 23.80              | 0.240            | 17881        | 17M9D7W             |
| 25.0               | BPSK       | 1722.5              | 1767.5                | 24.80                   | 24.60              | 0.288            | 23026        | 23M0G7W             |
|                    | QPSK       |                     |                       | 24.70                   | 24.50              | 0.282            | 22993        | 23M0G7W             |
|                    | 16QAM      |                     |                       | 24.00                   | 23.80              | 0.240            | 22967        | 23M0D7W             |
| 30.0               | BPSK       | 1725.0              | 1765.0                | 24.60                   | 24.40              | 0.275            | 28751        | 28M8G7W             |
|                    | QPSK       |                     |                       | 24.70                   | 24.50              | 0.282            | 28679        | 28M7G7W             |
|                    | 16QAM      |                     |                       | 23.70                   | 23.50              | 0.224            | 28701        | 28M7D7W             |
| 40.0               | BPSK       | 1730.0              | 1760.0                | 24.70                   | 24.50              | 0.282            | 38731        | 38M7G7W             |
|                    | QPSK       |                     |                       | 24.80                   | 24.60              | 0.288            | 38756        | 38M8G7W             |
|                    | 16QAM      |                     |                       | 24.20                   | 24.00              | 0.251            | 38814        | 38M8D7W             |



**5G NR n70**

| Part 27            |            |                     |                       |                         |                    |                  |              |                     |
|--------------------|------------|---------------------|-----------------------|-------------------------|--------------------|------------------|--------------|---------------------|
| EIRP Limit (W)     |            | 1.00                |                       |                         |                    |                  |              |                     |
| Antenna Gain (dBi) |            | -0.90               |                       |                         |                    |                  |              |                     |
| Bandwidth (MHz)    | Modulation | Low Frequency (MHz) | Upper Frequency (MHz) | Conducted Average (dBm) | EIRP Average (dBm) | EIRP Average (W) | 99% BW (kHz) | Emission Designator |
| 5.0                | BPSK       | 1697.5              | 1707.5                | 25.00                   | 24.10              | 0.257            | 4485         | 4M49G7W             |
|                    | QPSK       |                     |                       | 25.00                   | 24.10              | 0.257            | 4479         | 4M48G7W             |
|                    | 16QAM      |                     |                       | 24.00                   | 23.10              | 0.204            | 4485         | 4M49D7W             |
| 10.0               | BPSK       | 1700.0              | 1705.0                | 25.00                   | 24.10              | 0.257            | 8986         | 8M99G7W             |
|                    | QPSK       |                     |                       | 24.90                   | 24.00              | 0.251            | 8961         | 8M96G7W             |
|                    | 16QAM      |                     |                       | 24.10                   | 23.20              | 0.209            | 8979         | 8M98D7W             |
| 15.0               | BPSK       | 1702.5              | 1702.5                | 24.90                   | 24.00              | 0.251            | 13423        | 13M4G7W             |
|                    | QPSK       |                     |                       | 24.90                   | 24.00              | 0.251            | 13447        | 13M4G7W             |
|                    | 16QAM      |                     |                       | 24.30                   | 23.40              | 0.219            | 13411        | 13M4D7W             |

**LTE BAND 71**

| Part 27            |            |                     |                       |                         |                   |                 |              |                     |
|--------------------|------------|---------------------|-----------------------|-------------------------|-------------------|-----------------|--------------|---------------------|
| ERP Limit (W)      |            | 3.00                |                       |                         |                   |                 |              |                     |
| Antenna Gain (dBi) |            | -5.40               |                       |                         |                   |                 |              |                     |
| Bandwidth (MHz)    | Modulation | Low Frequency (MHz) | Upper Frequency (MHz) | Conducted Average (dBm) | ERP Average (dBm) | ERP Average (W) | 99% BW (kHz) | Emission Designator |
| 5.0                | QPSK       | 665.5               | 695.5                 | 24.40                   | 16.85             | 0.048           | 4514         | 4M51G7W             |
|                    | 16QAM      |                     |                       | 23.80                   | 16.25             | 0.042           | 4509         | 4M51D7W             |
| 10.0               | QPSK       | 668.0               | 693.0                 | 24.90                   | 17.35             | 0.054           | 8999         | 9M00G7W             |
|                    | 16QAM      |                     |                       | 24.00                   | 16.45             | 0.044           | 9004         | 9M00D7W             |
| 15.0               | QPSK       | 670.5               | 690.5                 | 25.00                   | 17.45             | 0.056           | 13452        | 13M5G7W             |
|                    | 16QAM      |                     |                       | 24.00                   | 16.45             | 0.044           | 13419        | 13M4D7W             |
| 20.0               | QPSK       | 673.0               | 688.0                 | 25.00                   | 17.45             | 0.056           | 17913        | 17M9G7W             |
|                    | 16QAM      |                     |                       | 24.00                   | 16.45             | 0.044           | 17912        | 17M9D7W             |

**5G NR n71**

| Part 27                   |            |                     |                       |                         |                   |                 |              |                     |
|---------------------------|------------|---------------------|-----------------------|-------------------------|-------------------|-----------------|--------------|---------------------|
| ERP Limit (W)             |            | 3.00                |                       |                         |                   |                 |              |                     |
| Antenna Gain (dBi)_Ant(1) |            | -5.40               |                       |                         |                   |                 |              |                     |
| Bandwidth (MHz)           | Modulation | Low Frequency (MHz) | Upper Frequency (MHz) | Conducted Average (dBm) | ERP Average (dBm) | ERP Average (W) | 99% BW (kHz) | Emission Designator |
| 5.0                       | BPSK       | 665.5               | 695.5                 | 25.00                   | 17.45             | 0.056           | 4517         | 4M52G7W             |
|                           | QPSK       |                     |                       | 24.20                   | 16.65             | 0.046           | 4516         | 4M52G7W             |
|                           | 16QAM      |                     |                       | 24.20                   | 16.65             | 0.046           | 4489         | 4M49D7W             |
| 10.0                      | BPSK       | 668.0               | 693.0                 | 25.00                   | 17.45             | 0.056           | 8979         | 8M98G7W             |
|                           | QPSK       |                     |                       | 24.30                   | 16.75             | 0.047           | 8996         | 9M00G7W             |
|                           | 16QAM      |                     |                       | 24.10                   | 16.55             | 0.045           | 8987         | 8M99D7W             |
| 15.0                      | BPSK       | 670.5               | 690.5                 | 25.00                   | 17.45             | 0.056           | 13434        | 13M4D7W             |
|                           | QPSK       |                     |                       | 24.20                   | 16.65             | 0.046           | 13397        | 13M4D7W             |
|                           | 16QAM      |                     |                       | 24.10                   | 16.55             | 0.045           | 13435        | 13M4D7W             |
| 20.0                      | BPSK       | 673.0               | 688.0                 | 23.90                   | 16.35             | 0.043           | 17885        | 17M9G7W             |
|                           | QPSK       |                     |                       | 25.00                   | 17.45             | 0.056           | 17954        | 18M0G7W             |
|                           | 16QAM      |                     |                       | 24.20                   | 16.65             | 0.046           | 17875        | 17M9D7W             |

**5G NR n77 (FCC Part 27 3450-3550MHz) HPUE**

| Part 27            |            |                     |                       |                         |                    |                  |              |                     |
|--------------------|------------|---------------------|-----------------------|-------------------------|--------------------|------------------|--------------|---------------------|
| EIRP Limit (W)     |            | 1.00                |                       |                         |                    |                  |              |                     |
| Antenna Gain (dBi) |            | 1.00                |                       |                         |                    |                  |              |                     |
| Bandwidth (MHz)    | Modulation | Low Frequency (MHz) | Upper Frequency (MHz) | Conducted Average (dBm) | EIRP Average (dBm) | EIRP Average (W) | 99% BW (kHz) | Emission Designator |
| 10.0               | BPSK       | 3455.0              | 3545.0                | 26.60                   | 27.60              | 0.575            | 8620         | 8M62G7W             |
|                    | QPSK       |                     |                       | 26.50                   | 27.50              | 0.562            | 8661         | 8M66G7W             |
|                    | 16QAM      |                     |                       | 25.80                   | 26.80              | 0.479            | 8624         | 8M62D7W             |
| 15.0               | BPSK       | 3457.5              | 3542.5                | 26.50                   | 27.50              | 0.562            | 12910        | 12M9G7W             |
|                    | QPSK       |                     |                       | 26.50                   | 27.50              | 0.562            | 12916        | 12M9G7W             |
|                    | 16QAM      |                     |                       | 25.70                   | 26.70              | 0.468            | 12908        | 12M9D7W             |
| 20.0               | BPSK       | 3460.0              | 3540.0                | 26.30                   | 27.30              | 0.537            | 17927        | 17M9G7W             |
|                    | QPSK       |                     |                       | 26.30                   | 27.30              | 0.537            | 17933        | 17M9G7W             |
|                    | 16QAM      |                     |                       | 25.90                   | 26.90              | 0.490            | 17901        | 17M9D7W             |
| 25.0               | BPSK       | 3462.5              | 3537.5                | 26.20                   | 27.20              | 0.525            | 22973        | 23M0G7W             |
|                    | QPSK       |                     |                       | 26.20                   | 27.20              | 0.525            | 22950        | 23M0G7W             |
|                    | 16QAM      |                     |                       | 25.20                   | 26.20              | 0.417            | 22972        | 23M0D7W             |
| 30.0               | BPSK       | 3465.0              | 3535.0                | 25.70                   | 26.70              | 0.468            | 26865        | 26M9G7W             |
|                    | QPSK       |                     |                       | 25.70                   | 26.70              | 0.468            | 26892        | 26M9G7W             |
|                    | 16QAM      |                     |                       | 25.90                   | 26.90              | 0.490            | 26934        | 26M9D7W             |
| 40.0               | BPSK       | 3470.0              | 3530.0                | 26.60                   | 27.60              | 0.575            | 35817        | 35M8G7W             |
|                    | QPSK       |                     |                       | 26.50                   | 27.50              | 0.562            | 35871        | 35M9G7W             |
|                    | 16QAM      |                     |                       | 25.50                   | 26.50              | 0.447            | 35848        | 35M8D7W             |
| 50.0               | BPSK       | 3475.0              | 3525.0                | 26.50                   | 27.50              | 0.562            | 45824        | 45M8G7W             |
|                    | QPSK       |                     |                       | 26.60                   | 27.60              | 0.575            | 45840        | 45M8G7W             |
|                    | 16QAM      |                     |                       | 25.50                   | 26.50              | 0.447            | 45811        | 45M8D7W             |
| 60.0               | BPSK       | 3480.0              | 3520.0                | 26.60                   | 27.60              | 0.575            | 57990        | 58M0G7W             |
|                    | QPSK       |                     |                       | 26.50                   | 27.50              | 0.562            | 58115        | 58M1G7W             |
|                    | 16QAM      |                     |                       | 25.60                   | 26.60              | 0.457            | 58043        | 58M0D7W             |
| 70.0               | BPSK       | 3485.0              | 3515.0                | 26.60                   | 27.60              | 0.575            | 64661        | 64M7G7W             |
|                    | QPSK       |                     |                       | 26.60                   | 27.60              | 0.575            | 64490        | 64M5G7W             |
|                    | 16QAM      |                     |                       | 25.70                   | 26.70              | 0.468            | 64275        | 64M3D7W             |
| 80.0               | BPSK       | 3490.0              | 3510.0                | 26.70                   | 27.70              | 0.589            | 77225        | 77M2G7W             |
|                    | QPSK       |                     |                       | 26.70                   | 27.70              | 0.589            | 77309        | 77M3G7W             |
|                    | 16QAM      |                     |                       | 25.80                   | 26.80              | 0.479            | 77302        | 77M3D7W             |
| 90.0               | BPSK       | 3495.0              | 3505.0                | 26.80                   | 27.80              | 0.603            | 86943        | 86M9G7W             |
|                    | QPSK       |                     |                       | 26.70                   | 27.70              | 0.589            | 86865        | 86M9G7W             |
|                    | 16QAM      |                     |                       | 25.90                   | 26.90              | 0.490            | 87083        | 87M1D7W             |
| 100.0              | BPSK       | 3500.0              | 3500.0                | 25.80                   | 26.80              | 0.479            | 96671        | 96M7G7W             |
|                    | QPSK       |                     |                       | 25.80                   | 26.80              | 0.479            | 96482        | 96M5G7W             |
|                    | 16QAM      |                     |                       | 25.60                   | 26.60              | 0.457            | 96624        | 96M6D7W             |

**5G NR n77 (FCC Part 27 3700-3980MHz) HPUE**

| Part 27            |            |                     |                       |                         |                    |                  |              |                     |
|--------------------|------------|---------------------|-----------------------|-------------------------|--------------------|------------------|--------------|---------------------|
| EIRP Limit (W)     |            | 1.00                |                       |                         |                    |                  |              |                     |
| Antenna Gain (dBi) |            | 1.00                |                       |                         |                    |                  |              |                     |
| Bandwidth (MHz)    | Modulation | Low Frequency (MHz) | Upper Frequency (MHz) | Conducted Average (dBm) | EIRP Average (dBm) | EIRP Average (W) | 99% BW (kHz) | Emission Designator |
| 10.0               | BPSK       | 3705.0              | 3975.0                | 26.20                   | 27.20              | 0.525            | 8562         | 8M56G7W             |
|                    | QPSK       |                     |                       | 26.30                   | 27.30              | 0.537            | 8647         | 8M65G7W             |
|                    | 16QAM      |                     |                       | 26.30                   | 27.30              | 0.537            | 8593         | 8M59D7W             |
| 15.0               | BPSK       | 3707.5              | 3972.5                | 26.20                   | 27.20              | 0.525            | 12862        | 12M9G7W             |
|                    | QPSK       |                     |                       | 26.30                   | 27.30              | 0.537            | 12857        | 12M9G7W             |
|                    | 16QAM      |                     |                       | 26.20                   | 27.20              | 0.525            | 12959        | 13M0D7W             |
| 20.0               | BPSK       | 3710.0              | 3970.0                | 26.30                   | 27.30              | 0.537            | 17913        | 17M9G7W             |
|                    | QPSK       |                     |                       | 26.40                   | 27.40              | 0.550            | 17949        | 17M9G7W             |
|                    | 16QAM      |                     |                       | 26.50                   | 27.50              | 0.562            | 17852        | 17M9D7W             |
| 25.0               | BPSK       | 3712.5              | 3967.5                | 26.30                   | 27.30              | 0.537            | 22946        | 22M9G7W             |
|                    | QPSK       |                     |                       | 26.30                   | 27.30              | 0.537            | 22878        | 22M9G7W             |
|                    | 16QAM      |                     |                       | 25.30                   | 26.30              | 0.427            | 22926        | 22M9D7W             |
| 30.0               | BPSK       | 3715.0              | 3965.0                | 26.20                   | 27.20              | 0.525            | 26916        | 26M9G7W             |
|                    | QPSK       |                     |                       | 26.30                   | 27.30              | 0.537            | 26977        | 27M0G7W             |
|                    | 16QAM      |                     |                       | 26.20                   | 27.20              | 0.525            | 26854        | 26M9D7W             |
| 40.0               | BPSK       | 3720.0              | 3960.0                | 26.20                   | 27.20              | 0.525            | 35776        | 35M8G7W             |
|                    | QPSK       |                     |                       | 26.20                   | 27.20              | 0.525            | 35842        | 35M8G7W             |
|                    | 16QAM      |                     |                       | 26.20                   | 27.20              | 0.525            | 35610        | 35M6D7W             |
| 50.0               | BPSK       | 3725.0              | 3955.0                | 26.30                   | 27.30              | 0.537            | 45770        | 45M8G7W             |
|                    | QPSK       |                     |                       | 26.30                   | 27.30              | 0.537            | 45705        | 45M7G7W             |
|                    | 16QAM      |                     |                       | 26.40                   | 27.40              | 0.550            | 45691        | 45M7D7W             |
| 60.0               | BPSK       | 3730.0              | 3950.0                | 26.20                   | 27.20              | 0.525            | 57808        | 57M8G7W             |
|                    | QPSK       |                     |                       | 26.30                   | 27.30              | 0.537            | 57988        | 58M0G7W             |
|                    | 16QAM      |                     |                       | 26.10                   | 27.10              | 0.513            | 57766        | 57M8D7W             |
| 70.0               | BPSK       | 3735.0              | 3945.0                | 26.40                   | 27.40              | 0.550            | 64396        | 64M4G7W             |
|                    | QPSK       |                     |                       | 26.20                   | 27.20              | 0.525            | 64452        | 64M5G7W             |
|                    | 16QAM      |                     |                       | 26.30                   | 27.30              | 0.537            | 63975        | 64M0D7W             |
| 80.0               | BPSK       | 3740.0              | 3940.0                | 26.40                   | 27.40              | 0.550            | 77206        | 77M2G7W             |
|                    | QPSK       |                     |                       | 26.30                   | 27.30              | 0.537            | 77331        | 77M3G7W             |
|                    | 16QAM      |                     |                       | 26.30                   | 27.30              | 0.537            | 77079        | 77M1D7W             |
| 90.0               | BPSK       | 3745.0              | 3935.0                | 26.30                   | 27.30              | 0.537            | 86599        | 86M6G7W             |
|                    | QPSK       |                     |                       | 26.40                   | 27.40              | 0.550            | 87049        | 87M0G7W             |
|                    | 16QAM      |                     |                       | 26.30                   | 27.30              | 0.537            | 86966        | 87M0D7W             |
| 100.0              | BPSK       | 3750.0              | 3930.0                | 26.40                   | 27.40              | 0.550            | 96453        | 96M5G7W             |
|                    | QPSK       |                     |                       | 26.30                   | 27.30              | 0.537            | 96301        | 96M3G7W             |
|                    | 16QAM      |                     |                       | 26.60                   | 27.60              | 0.575            | 96599        | 96M6D7W             |

## 6.4. WORST-CASE CONFIGURATION AND MODE

The EUT supports the following LTE and 5G NRs:

Band 2, Band 4, Band 5, Band 7, Band 12, Band 13, Band 14, Band 17, Band 25, Band 26, Band 30, Band 38, Band 41, Band 48, Band 66, Band 71, 5G NR n2, 5G NR n5, 5G NR n7, 5G NR n12, 5G NR n14, 5G NR n25, 5G NR n26, 5G NR n30, 5G NR n38, 5G NR n41, 5G NR n48, 5G NR n66, 5G NR n70, 5G NR n71, 5G NR n77 and 5G NR n78.

LTE Band 2 and 5G NR n2 (1850-1910MHz) are covered by LTE Band 25 and 5G NR n25 respectively. Because they are the subset of LTE band 25 and 5G NR n25 with the same output power and supported bandwidths.

LTE Band 4 (1710-1755MHz, 5/10/15/20MHz bandwidth) is covered by LTE Band 66 because it is a subset of LTE band 66 and they have same output power.

LTE Band 38 (2570-2620MHz) is covered by LTE Band 41 because it is a subset of LTE band 41. Also, they have the same or less output power and supported bandwidths.

5G NR n78 (3450-3650MHz) are covered by 5G NR n77 respectively. Because they are the subset of LTE band 5G NR n77 with the same output power and supported bandwidths.

For 5G NRs, conducted spurious emission tests were conducted on wider bandwidth with inner 1RB since this is the worst bandwidth and the highest output power.

BPSK modulation applied only for 5G NR frequencies and has the same tune up power as QPSK modulations.

The DFT-s-OFDM and CP-OFDM waveforms were investigated, and DFT-s-OFDM was found to be the worst case.

The worst-case scenario for all measurements is based on an engineering evaluation made on different modulations. Then, QPSK and BPSK were observed as the worst mode to LTE bands and 5G NR bands respectively and set for all conducted and radiated. Output power measurements were measured on BPSK, QPSK, 16QAM, 64QAM, and 256QAM modulations. For testing purposes emissions on sections 8 and 9 were measured while QPSK/BPSK was set at or above target power for all bands. Conducted tests were performed on the worst case antenna port because it has the highest conducted power. The worst case antenna port is shown in the table below.

| LTE and 5G NR Bands             | Worst case Antenna Port for Conducted Power |       |
|---------------------------------|---|-------|
| LTE BAND 5 and 5G NR n5         | Ant 0                                       |       |
| LTE BAND 12 and 5G NR n12       |   |       |
| LTE BAND 13                     |   |       |
| LTE BAND 14 and 5G NR n14       |   |       |
| LTE Band 17                     |   |       |
| LTE BAND 26 (FCC) and 5G NR n26 |   |       |
| LTE BAND 30 and 5G NR n30       |   |       |
| LTE BAND 71 and 5G NR n71       |   |       |
| LTE BAND 7 and 5G NR n7         |   | Ant 2 |
| LTE BAND 25 and 5G NR n25       |   |       |
| LTE BAND 41 and 5G NR 41        |   |       |
| LTE BAND 66 and 5G NR n66       |   |       |
| 5G NR n70                       |   |       |
| 5G NR n77                       | Ant 6                                       |       |
| LTE BAND 48                     |   |       |

The EUT was investigated in three orthogonal orientations X/Y/Z on all ANT 0, ANT 1, ANT2, ANT5, ANT6 and ANT7 antennas to determine the worst case orientation. The following table exhibit the worst case orientation for different frequency bands. The full tests of the EUT have made upon the orientations that shown in the table below.

| Frequency Bands | ANT0 | ANT1 | ANT2 | ANT5 | ANT6 | ANT7 |
|-----------------|------|------|------|------|------|------|
| 663 – 849 MHz   | X    | X    | N/A  | N/A  | N/A  | N/A  |
| 1710 – 1915 MHz | X    | X    | X    | X    | N/A  | N/A  |
| 2300 – 2700 MHz | X    | Z    | X    | Z    | N/A  | N/A  |
| 3300 – 3980 MHz | N/A  | X    | N/A  | X    | X    | X    |

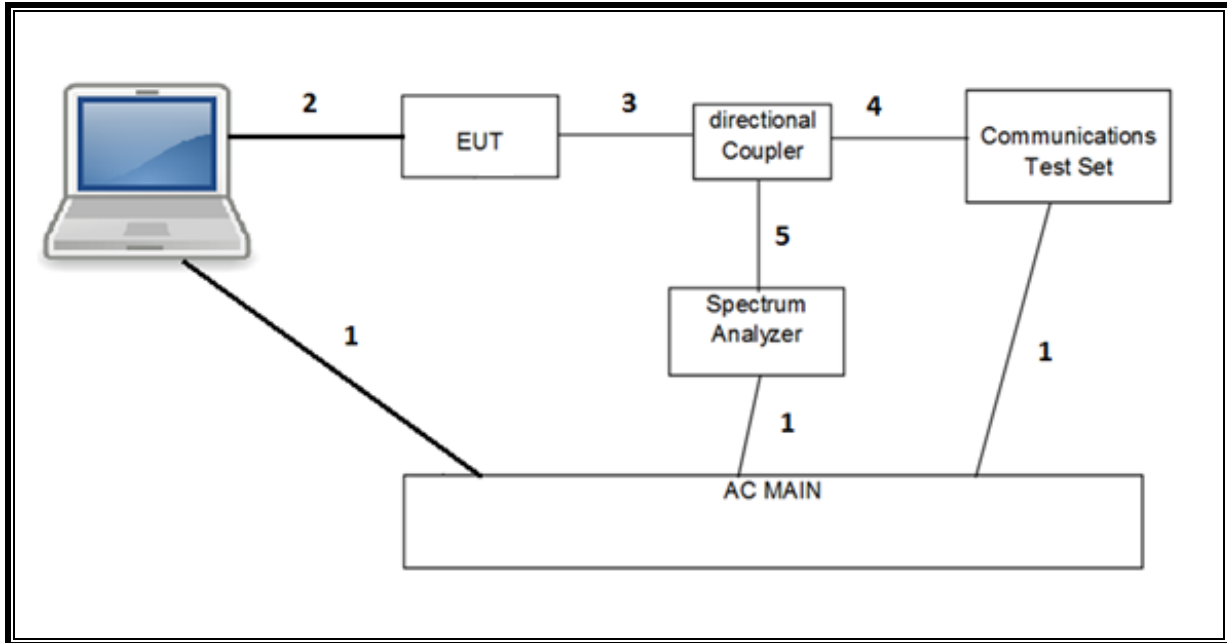
Radiated spurious emissions were investigated from 9kHz to 30MHz, 30MHz-1GHz and above 18GHz. There were no emissions found with less than 20dB of margin from 9kHz to 30MHz, 30MHz-1GHz and above 18GHz.

For simultaneous transmission of multiple channels in the 2.4GHz/5GH WLAN, UWB, and Cellular bands, tests were conducted for various configurations having the highest power, least separation in frequencies and widest operation bandwidths. No noticeable new emission was found.

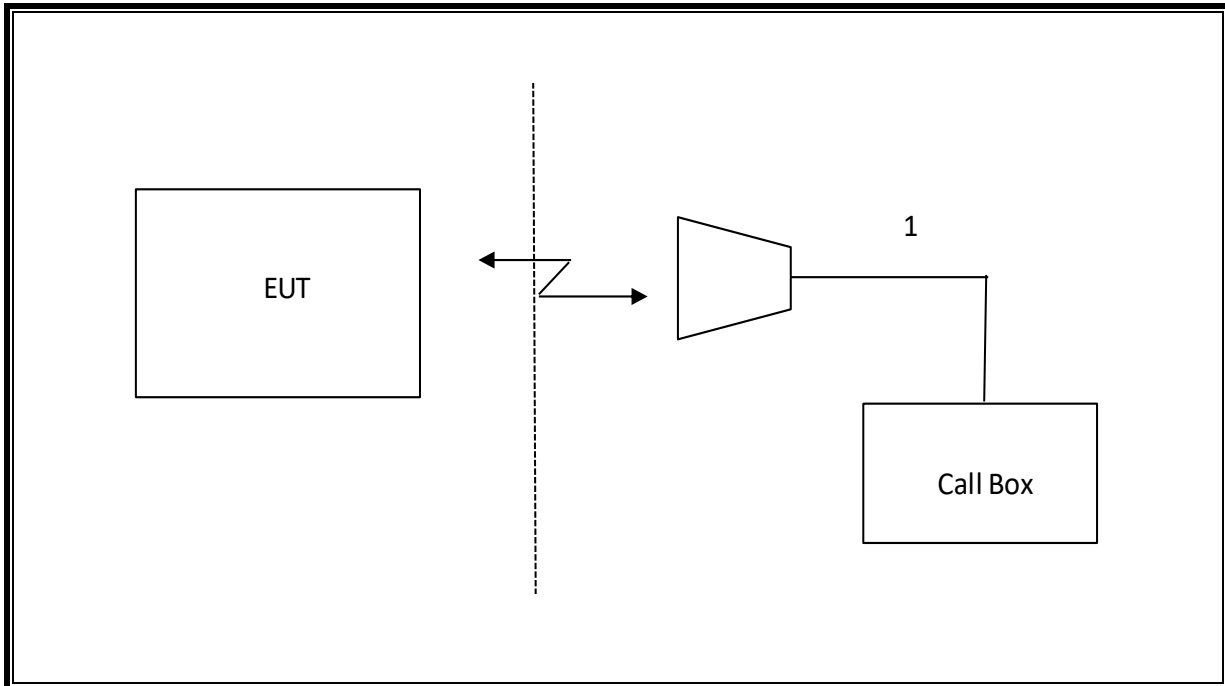
## 6.5. DESCRIPTION OF TEST SETUP

| SUPPORT TEST EQUIPMENT         |              |                      |                        |             |                  |         |
|--------------------------------|--------------|----------------------|------------------------|-------------|------------------|---------|
| Description                    | Manufacturer | Model                | Serial Number          | FCC ID/ DoC |                  |         |
| Laptop                         |              | MacBook Pro          | HRP081469              | --          |                  |         |
| AC/DC adapter                  |              | A1718                | C4H64450HH3GN8RA6      | --          |                  |         |
| I/O CABLES (RF CONDUCTED TEST) |              |                      |                        |             |                  |         |
| Cable No.                      | Port         | # of Identical Ports | Connector Type         | Cable Type  | Cable Length (m) | Remarks |
| 1                              | AC           | 3                    | US 115V                | Un-shielded | 2.0              | N/A     |
| 2                              | USB          | 1                    | DC                     | Un-shielded | 1.0              | N/A     |
| 3                              | RF In/Out    | 1                    | EUT                    | Un-shielded | 0.6              | N/A     |
| 4                              | RF In/Out    | 1                    | Communication Test Set | Un-shielded | 1.2              | N/A     |
| 5                              | RF In/Out    | 1                    | Barrel                 | N/A         | N/A              | N/A     |
| I/O CABLES (RF RADIATED TEST)  |              |                      |                        |             |                  |         |
| Cable No.                      | Port         | # of Identical Ports | Connector Type         | Cable Type  | Cable Length (m) | Remarks |
| 1                              | RF In/Out    | 1                    | Antenna                | Un-shielded | 5.0              | N/A     |

**CONDUCTED SETUP**



**RADIATED SETUP**



## 7. TEST AND MEASUREMENT EQUIPMENT

The following test and measurement equipment was utilized for the tests documented in this report:

| TEST EQUIPMENT LIST                                |                             |                        |                    |            |
|--|-----------------------------|------------------------|--------------------|------------|
| Description  | Manufacturer                | Model                  | Asset              | Cal Due    |
| Antenna, Horn 1-18GHz                              | ETS-Lindgren                | 3117                   | 80430              | 2024-08-31 |
| Antenna, Horn 1-18GHz                              | ETS Lindgren                | 3117                   | 79834              | 2024-06-30 |
| Antenna, Horn 1-18GHz                              | ETS Lindgren                | 3117                   | 226673             | 2024-09-30 |
| Antenna, Horn 1-18GHz                              | ETS-Lindgren                | 3117                   | 222740             | 2024-08-31 |
| Antenna, Broadband Hybrid, 30MHz to 3000MHz        | SUNAR                       | JB3                    | 222009             | 2024-10-31 |
| RF Filter Box, 1-18GHz                             | UL-FR1                      | NA                     | 217255             | 2024-10-31 |
| RF Filter Box, 1-18GHz                             | UL-FR1                      | RATS 2                 | 226781             | 2024-09-30 |
| RF Filter Box, 1-18GHz                             | UL-FR1                      | NA                     | 217521             | 2024-03-31 |
| Amplifier, 10KHz to 1GHz, 32dB                     | Sonoma                      | 310N                   | 430250             | 2024-09-30 |
| EMI TEST RECEIVER                                  | Rohde & Schwarz             | ESW44                  | 169936             | 2025-02-28 |
| EMI TEST RECEIVER                                  | Rohde & Schwarz             | ESW44                  | 169935             | 2025-02-28 |
| EMI TEST RECEIVER                                  | Rohde & Schwarz             | ESW44                  | 223461             | 2025-02-28 |
| Wideband Communication Test Set, Call Box          | R&S GmbH & Co. KG           | CMW500                 | 85943              | 2025-02-28 |
| Directional Coupler                                | KRYTAR                      | 152610                 | 198816             | 2024-10-31 |
| Directional Coupler                                | KRYTAR                      | 152610                 | 231664             | 2025-01-22 |
| Power Meter, P-series single channel               | Keysight                    | N1912A                 | 90719              | 2025-01-31 |
| Power Sensor, P - series, 50MHz to 18GHz, Wideband | Keysight                    | N1921A                 | 81319              | 2025-01-31 |
| Filter, HPF 1.2GHz                                 | Wainwright Instruments GmbH | WHKX6-948-1.2/15G-40ST | 99                 | 2024-10-31 |
| Filter, BRF 2495 – 2690 MHz                        | Micro-Tronics               | BRM50174-02            | 155055             | 2025-01-31 |
| Filter, BRF 3.4 – 3.8GHz                           | Micro-Tronics               | BRM50711-02            | 208398             | 2024-10-31 |
| Spectrum Analyzer, PXA, 2Hz to 44GHz               | Keysight                    | N9030B                 | 231739             | 2025-01-31 |
| Spectrum Analyzer, PXA, 2Hz to 44GHz               | Keysight                    | N9030B                 | 245120             | 2025-02-28 |
| Spectrum Analyzer, PXA, 3Hz to 44GHz               | Keysight                    | N9030A                 | 85212              | 2025-02-28 |
| Wideband Communication Test Set, Call Box          | R&S GmbH & Co. KG           | CMW500                 | 222793             | 2025-02-28 |
| Wideband Communication Test Set, Call Box          | R&S GmbH & Co. KG           | CMW500                 | 222797             | 2025-02-28 |
| UXM 5G Wireless Test Platform                      | Keysight                    | E7515B                 | 245172             | 2025-02-28 |
| UXM 5G Wireless Test Platform                      | Keysight                    | E7515B                 | 231739             | 2025-01-31 |
| UXM 5G Wireless Test Platform                      | Keysight                    | E7515B                 | 207269             | 2024-10-31 |
| UXM 5G Wireless Test Platform                      | Keysight                    | E7515B                 | 1292206            | 2025-01-18 |
| Chamber, Environmental                             | Thermotron Corp.            | SM-16C Mini-Max        | 179936             | 2024-06-30 |
| Transmitting Antenna, Horn Antenna                 | TEKBOX Digital Solutions    | TBMA4                  | 226709             | C.N.R.     |
| Antenna, Horn 18 to 26.5GHz                        | A.R.A.                      | MWH-1826/B             | 199659             | 2024-12-31 |
| Amplifier 18-26.5GHz, +5Vdc, -54dBm P1dB           | AMPLICAL                    | AMP18G26.5-60          | 234683             | 2024-03-29 |
| DC Power Supply                                    | GWINSTEK                    | GPS18500               | N/A                | C.N.R.     |
| UL AUTOMATION SOFTWARE                             |                             |                        |                    |            |
| CLT Software                                       | UL                          | UL RF                  | V2023.11.21.0      |            |
| Power Measurement Software                         | UL                          | UL RF                  | V2023.08.14.0      |            |
| Radiated test software                             | UL                          | UL RF                  | Ver 9.5 2023-05-01 |            |

**NOTES:**

- \* Testing is completed before equipment expiration date.



## 8. RF OUTPUT POWER MEASUREMENT

### CONDUCTED OUTPUT POWER MEASUREMENT PROCEDURE

All LTE bands conducted average power is obtained from the CMW500 telecommunication test set.

The following tests were conducted according to the test requirements outlined in section 6.2 of the 3GPP TS136.101 specification.

UE Power Class: 3 (23 +/- 2dBm). Band 41 UE Power Class: 2 (26 +/-2 dBm).The allowed Maximum Power Reduction (MPR) for the maximum output power due to higher order modulation and transmit bandwidth configuration (resource blocks) is specified in Table 6.2.3-1 of the 3GPP TS136.101.

**Table 6.2.3-1: Maximum Power Reduction (MPR) for Power Class 1, 2 and 3**

| Modulation | Channel bandwidth / Transmission bandwidth ( $N_{RB}$ ) |         |       |        |        |        | MPR (dB) |
|------------|---|---------|-------|--------|--------|--------|----------|
|            | 1.4 MHz   | 3.0 MHz | 5 MHz | 10 MHz | 15 MHz | 20 MHz |          |
| QPSK       | > 5   | > 4     | > 8   | > 12   | > 16   | > 18   | ≤ 1      |
| 16 QAM     | ≤ 5   | ≤ 4     | ≤ 8   | ≤ 12   | ≤ 16   | ≤ 18   | ≤ 1      |
| 16 QAM     | > 5   | > 4     | > 8   | > 12   | > 16   | > 18   | ≤ 2      |
| 64 QAM     | ≤ 5   | ≤ 4     | ≤ 8   | ≤ 12   | ≤ 16   | ≤ 18   | ≤ 2      |
| 64 QAM     | > 5   | > 4     | > 8   | > 12   | > 16   | > 18   | ≤ 3      |
| 256 QAM    | ≥ 1   |         |       |        |        |        | ≤ 5      |

The allowed A-MPR values specified below in Table 6.2.4.-1 of 3GPP TS136.101 are in addition to the allowed MPR requirements. All the measurements below were performed with A-MPR disabled, by using Network Signaling Value of "NS\_01".

**Table 6.2.4-1: Additional Maximum Power Reduction (A-MPR)**

| Network Signalling value | Requirements (subclause) | E-UTRA Band                      | Channel bandwidth (MHz) | Resources Blocks ( $N_{RB}$ ) | A-MPR (dB) |
|--------------------------|--------------------------|----------------------------------|-------------------------|-------------------------------|------------|
| NS_01                    | 6.6.2.1.1                | Table 5.5-1                      | 1.4, 3, 5, 10, 15, 20   | Table 5.6-1                   | N/A        |
| NS_03                    | 6.6.2.2.1                | 2, 4, 10, 23, 25, 35, 36, 66, 70 | 3                       | >5                            | ≤ 1        |
|                          |                          |                                  | 5                       | >6                            | ≤ 1        |
|                          |                          |                                  | 10                      | >6                            | ≤ 1        |
|                          |                          |                                  | 15                      | >8                            | ≤ 1        |
|                          |                          |                                  | 20                      | >10                           | ≤ 1        |
| NS_04                    | 6.6.2.2.2, 6.6.3.3.19    | 41                               | 5, 10, 15, 20           | Table 6.2.4-4, Table 6.2.4-4a |            |

### RESULTS

EUT includes different power levels for head use configuration and body use configuration and the below tables contain the highest of all configurations average conducted output powers as follows:

### 8.1. LTE BAND 5 AND 5G NR n5

#### LTE BAND 5

|                          |                                 |                   |                          |
|--------------------------|---------------------------------|-------------------|--------------------------|
| <b>Test Engineer ID:</b> | 43576TS, 39005RA<br>and 52300CK | <b>Test Date:</b> | 2024-01-25 to 2024-03-22 |
|--------------------------|---------------------------------|-------------------|--------------------------|

#### OUTPUT POWER FOR LTE BAND 5 (1.4 MHz)

| Bandwidth (MHz) | Modulation | RB Allocation | RB Offset | Conducted Average (dBm) |             |             |             |       |             |      |
|-----------------|------------|---------------|-----------|-------------------------|-------------|-------------|-------------|-------|-------------|------|
|                 |            |               |           | ANT 0                   |             |             | ANT 1       |       |             |      |
|                 |            |               |           | 20407                   | 20525       | 20643       | 20407       | 20525 | 20643       |      |
| 1.4             | QPSK       | 1             | 0         | 24.5                    | <b>24.5</b> | 24.4        | 24.4        | 24.4  | 24.4        | 24.4 |
|                 |            | 1             | 3         | 24.5                    | 24.5        | 24.4        | 24.2        | 24.4  | 24.3        |      |
|                 |            | 1             | 5         | 24.5                    | 24.5        | 24.4        | 24.4        | 24.4  | <b>24.5</b> |      |
|                 |            | 3             | 0         | 24.4                    | 24.4        | 24.3        | 24.4        | 24.4  | 24.4        |      |
|                 |            | 3             | 1         | 24.4                    | 24.4        | 24.3        | 24.3        | 24.3  | 24.4        |      |
|                 |            | 3             | 3         | 24.4                    | 24.4        | 24.2        | 24.4        | 24.3  | 24.3        |      |
|                 | 16QAM      | 6             | 0         | 23.4                    | 23.4        | 23.3        | 23.4        | 23.4  | 23.5        |      |
|                 |            | 1             | 0         | 23.7                    | 23.6        | 23.5        | 23.6        | 23.4  | 23.6        |      |
|                 |            | 1             | 3         | 23.6                    | <b>23.7</b> | 23.6        | <b>23.8</b> | 23.3  | 23.6        |      |
|                 |            | 1             | 5         | 23.7                    | 23.6        | 23.5        | 23.6        | 23.4  | 23.6        |      |
|                 |            | 3             | 0         | 23.6                    | 23.6        | 23.5        | 23.6        | 23.3  | 23.3        |      |
|                 |            | 3             | 1         | 23.5                    | 23.6        | 23.4        | 23.4        | 23.2  | 23.4        |      |
|                 | 64QAM      | 3             | 3         | 23.6                    | 23.5        | 23.4        | 23.5        | 23.3  | 23.3        |      |
|                 |            | 6             | 0         | 22.6                    | 22.6        | 22.4        | 22.5        | 22.4  | 22.3        |      |
|                 |            | 1             | 0         | 22.7                    | 22.5        | 22.7        | 22.8        | 22.3  | 22.3        |      |
|                 |            | 1             | 3         | 22.7                    | 22.6        | <b>22.8</b> | <b>22.9</b> | 22.3  | 22.4        |      |
|                 |            | 1             | 5         | 22.6                    | 22.6        | 22.6        | 22.8        | 22.3  | 22.4        |      |
|                 |            | 3             | 0         | 22.4                    | 22.4        | 22.4        | 22.5        | 22.3  | 22.4        |      |
|                 | 256QAM     | 3             | 1         | 22.4                    | 22.4        | 22.4        | 22.4        | 22.3  | 22.3        |      |
|                 |            | 3             | 3         | 22.4                    | 22.4        | 22.3        | 22.4        | 22.2  | 22.3        |      |
|                 |            | 6             | 0         | 20.5                    | 20.5        | 20.5        | 20.4        | 20.3  | 20.3        |      |
|                 |            | 1             | 0         | 19.6                    | 19.5        | 19.5        | <b>18.0</b> | 17.9  | 17.9        |      |
|                 |            | 1             | 3         | <b>19.6</b>             | 19.5        | 19.6        | 18.0        | 17.9  | 17.9        |      |
|                 |            | 1             | 5         | 19.5                    | 19.5        | 19.5        | 18.0        | 17.9  | 17.9        |      |
|                 | 256QAM     | 3             | 0         | 19.5                    | 19.5        | 19.4        | <b>18.0</b> | 17.7  | 18.0        |      |
|                 |            | 3             | 1         | 19.4                    | 19.5        | 19.3        | 17.9        | 17.7  | 17.9        |      |
|                 |            | 3             | 3         | 19.4                    | 19.5        | 19.3        | 17.9        | 17.6  | 17.8        |      |
|                 |            | 6             | 0         | 17.4                    | 17.4        | 17.3        | 17.3        | 17.2  | 17.2        |      |

#### OUTPUT POWER FOR LTE BAND 5 (3.0 MHz)

| Bandwidth (MHz) | Modulation | RB Allocation | RB Offset | Conducted Average (dBm) |             |             |             |             |       |
|-----------------|------------|---------------|-----------|-------------------------|-------------|-------------|-------------|-------------|-------|
|                 |            |               |           | ANT 0                   |             |             | ANT 1       |             |       |
|                 |            |               |           | 20415                   | 20525       | 20635       | 20415       | 20525       | 20635 |
| 3.0             | QPSK       | 1             | 0         | 24.4                    | <b>24.5</b> | 24.5        | 24.6        | 24.4        | 24.5  |
|                 |            | 1             | 8         | 24.3                    | 24.3        | 24.2        | 24.4        | 24.4        | 24.6  |
|                 |            | 1             | 14        | 24.4                    | 24.4        | <b>24.5</b> | <b>24.6</b> | 24.4        | 24.6  |
|                 |            | 8             | 0         | 23.4                    | 23.5        | 23.4        | 23.6        | 23.4        | 23.5  |
|                 |            | 8             | 4         | 23.4                    | 23.5        | 23.4        | 23.5        | 23.4        | 23.4  |
|                 |            | 8             | 7         | 23.4                    | 23.5        | 23.4        | 23.5        | 23.4        | 23.5  |
|                 | 16QAM      | 15            | 0         | 23.5                    | 23.5        | 23.4        | 23.5        | 23.4        | 23.4  |
|                 |            | 1             | 0         | 23.8                    | 23.6        | 23.7        | 23.6        | 23.7        | 23.7  |
|                 |            | 1             | 8         | 23.7                    | 23.5        | 23.5        | 23.7        | 23.7        | 23.7  |
|                 |            | 1             | 14        | <b>23.8</b>             | 23.6        | 23.5        | 23.6        | <b>23.8</b> | 23.6  |
|                 |            | 8             | 0         | 22.5                    | 22.6        | 22.4        | 22.5        | 22.4        | 22.5  |
|                 |            | 8             | 4         | 22.5                    | 22.6        | 22.4        | 22.5        | 22.4        | 22.4  |
|                 | 64QAM      | 8             | 7         | 22.5                    | 22.6        | 22.4        | 22.4        | 22.4        | 22.4  |
|                 |            | 15            | 0         | 22.5                    | 22.5        | 22.4        | 22.5        | 22.3        | 22.4  |
|                 |            | 1             | 0         | 22.5                    | 22.9        | 22.7        | 22.6        | 22.5        | 22.4  |
|                 |            | 1             | 8         | 22.5                    | <b>22.7</b> | 22.7        | <b>22.6</b> | 22.4        | 22.3  |
|                 |            | 1             | 14        | 22.5                    | <b>22.9</b> | 22.7        | 22.6        | 22.5        | 22.4  |
|                 |            | 8             | 0         | 20.6                    | 20.5        | 20.5        | 20.5        | 20.4        | 20.4  |
|                 | 256QAM     | 8             | 4         | 20.5                    | 20.4        | 20.4        | 20.4        | 20.3        | 20.3  |
|                 |            | 8             | 7         | 20.5                    | 20.4        | 20.4        | 20.5        | 20.4        | 20.3  |
|                 |            | 15            | 0         | 20.5                    | 20.4        | 20.4        | 20.4        | 20.2        | 20.3  |
|                 |            | 1             | 0         | 19.5                    | <b>19.6</b> | 19.5        | <b>18.0</b> | 18.0        | 17.9  |
|                 |            | 1             | 8         | 19.4                    | 19.5        | 19.4        | 18.0        | 17.7        | 17.8  |
|                 |            | 1             | 14        | 19.4                    | 19.5        | 19.5        | 18.0        | 18.0        | 17.8  |
|                 | 256QAM     | 8             | 0         | 17.4                    | 17.6        | 17.4        | 17.4        | 17.3        | 17.3  |
|                 |            | 8             | 4         | 17.4                    | 17.6        | 17.4        | 17.4        | 17.3        | 17.2  |
|                 |            | 8             | 7         | 17.4                    | 17.6        | 17.4        | 17.3        | 17.3        | 17.3  |
|                 |            | 15            | 0         | 17.5                    | 17.5        | 17.4        | 17.4        | 17.2        | 17.3  |

**OUTPUT POWER FOR LTE BAND 5 (5.0 MHz)**

| Bandwidth (MHz) | Modulation | RB Allocation | RB Offset | Conducted Average (dBm) |             |             |             |       |             |      |
|-----------------|------------|---------------|-----------|-------------------------|-------------|-------------|-------------|-------|-------------|------|
|                 |            |               |           | ANT 0                   |             |             | ANT 1       |       |             |      |
|                 |            |               |           | 20425                   | 20525       | 20625       | 20425       | 20525 | 20625       |      |
|                 |            |               |           | 826.5                   | 836.5       | 846.5       | 826.5       | 836.5 | 846.5       |      |
| 5.0             | QPSK       | 1             | 0         | 24.5                    | <b>24.5</b> | 24.4        | 24.4        | 24.4  | 24.4        | 24.5 |
|                 |            | 1             | 12        | 24.4                    | 24.4        | 24.3        | 24.4        | 24.4  | 24.4        | 24.4 |
|                 |            | 1             | 24        | 24.4                    | 24.4        | 24.4        | 24.4        | 24.4  | <b>24.5</b> |      |
|                 |            | 12            | 0         | 23.5                    | 23.5        | 23.4        | 23.5        | 23.4  | 23.5        | 23.5 |
|                 |            | 12            | 6         | 23.4                    | 23.5        | 23.4        | 23.4        | 23.3  | 23.4        | 23.4 |
|                 |            | 12            | 11        | 23.4                    | 23.4        | 23.4        | 23.4        | 23.3  | 23.4        | 23.4 |
|                 |            | 25            | 0         | 23.5                    | 23.5        | 23.4        | 23.4        | 23.3  | 23.4        | 23.4 |
|                 | 16QAM      | 1             | 0         | 23.7                    | 23.8        | <b>23.9</b> | 23.8        | 23.7  | <b>24.0</b> |      |
|                 |            | 1             | 12        | 23.7                    | 23.7        | 23.6        | 23.8        | 23.6  | 23.8        | 23.8 |
|                 |            | 1             | 24        | 23.7                    | 23.7        | 23.7        | 23.8        | 23.6  | 23.8        | 23.8 |
|                 |            | 12            | 0         | 22.5                    | 22.5        | 22.5        | 22.5        | 22.4  | 22.4        | 22.4 |
|                 |            | 12            | 6         | 22.5                    | 22.5        | 22.5        | 22.5        | 22.4  | 22.4        | 22.4 |
|                 |            | 12            | 11        | 22.5                    | 22.5        | 22.5        | 22.4        | 22.4  | 22.3        | 22.3 |
|                 |            | 25            | 0         | 22.4                    | 22.5        | 22.4        | 22.4        | 22.3  | 22.3        | 22.3 |
|                 | 64QAM      | 1             | 0         | 22.6                    | 22.3        | 22.5        | <b>22.6</b> | 22.5  | 22.5        | 22.5 |
|                 |            | 1             | 12        | 22.6                    | 22.2        | 22.5        | 22.5        | 22.5  | 22.4        | 22.4 |
|                 |            | 1             | 24        | <b>22.6</b>             | 22.3        | 22.5        | 22.5        | 22.5  | 22.4        | 22.4 |
|                 |            | 12            | 0         | 20.5                    | 20.5        | 20.4        | 20.4        | 20.3  | 20.4        | 20.4 |
|                 |            | 12            | 6         | 20.4                    | 20.5        | 20.4        | 20.3        | 20.2  | 20.3        | 20.3 |
|                 |            | 12            | 11        | 20.4                    | 20.5        | 20.4        | 20.3        | 20.2  | 20.3        | 20.3 |
|                 |            | 25            | 0         | 20.4                    | 20.5        | 20.4        | 20.3        | 20.2  | 20.3        | 20.3 |
|                 | 256QAM     | 1             | 0         | 19.4                    | <b>19.7</b> | 19.4        | <b>18.0</b> | 17.9  | 18.0        | 18.0 |
|                 |            | 1             | 12        | 19.3                    | 19.5        | 19.4        | 18.0        | 17.8  | 17.8        | 17.8 |
|                 |            | 1             | 24        | 19.4                    | 19.6        | 19.4        | 18.0        | 17.8  | 17.9        | 17.9 |
|                 |            | 12            | 0         | 17.4                    | 17.4        | 17.4        | 17.4        | 17.2  | 17.2        | 17.2 |
| 12              |            | 6             | 17.4      | 17.4                    | 17.4        | 17.4        | 17.2        | 17.2  | 17.2        |      |
| 12              |            | 11            | 17.4      | 17.4                    | 17.4        | 17.3        | 17.2        | 17.1  | 17.1        |      |
| 25              |            | 0             | 17.4      | 17.4                    | 17.4        | 17.3        | 17.3        | 17.3  | 17.3        |      |

**OUTPUT POWER FOR LTE BAND 5 (10.0 MHz)**

| Bandwidth (MHz) | Modulation | RB Allocation | RB Offset | Conducted Average (dBm) |             |             |       |       |             |
|-----------------|------------|---------------|-----------|-------------------------|-------------|-------------|-------|-------|-------------|
|                 |            |               |           | ANT 0                   |             |             | ANT 1 |       |             |
|                 |            |               |           | 20450                   | 20525       | 20600       | 20450 | 20525 | 20600       |
|                 |            |               |           | 829.0                   | 836.5       | 844.0       | 829.0 | 836.5 | 844.0       |
| 10.0            | QPSK       | 1             | 0         | <b>25.0</b>             | 24.5        | <b>25.0</b> | 24.5  | 24.5  | <b>24.6</b> |
|                 |            | 1             | 24        | <b>25.0</b>             | 24.4        | <b>25.0</b> | 24.3  | 24.5  | 24.5        |
|                 |            | 1             | 49        | <b>25.0</b>             | 24.4        | <b>25.0</b> | 24.4  | 24.4  | 24.5        |
|                 |            | 25            | 0         | 24.0                    | 23.5        | 24.0        | 23.5  | 23.4  | 23.5        |
|                 |            | 25            | 12        | 24.0                    | 23.5        | 24.0        | 23.4  | 23.4  | 23.5        |
|                 |            | 25            | 24        | 24.0                    | 23.4        | 23.9        | 23.4  | 23.4  | 23.4        |
|                 |            | 50            | 0         | 24.0                    | 23.4        | 24.0        | 23.4  | 23.4  | 23.5        |
|                 | 16QAM      | 1             | 0         | <b>24.0</b>             | 23.8        | <b>24.0</b> | 23.7  | 23.6  | <b>23.8</b> |
|                 |            | 1             | 24        | <b>24.0</b>             | 23.8        | <b>24.0</b> | 23.7  | 23.7  | 23.7        |
|                 |            | 1             | 49        | <b>24.0</b>             | 23.6        | 23.9        | 23.5  | 23.6  | 23.6        |
|                 |            | 25            | 0         | 23.0                    | 22.5        | 23.0        | 22.5  | 22.4  | 22.5        |
|                 |            | 25            | 12        | 23.0                    | 22.5        | 22.9        | 22.4  | 22.4  | 22.5        |
|                 |            | 25            | 24        | 23.0                    | 22.5        | 22.9        | 22.4  | 22.4  | 22.5        |
|                 |            | 50            | 0         | 23.0                    | 22.5        | 23.0        | 22.4  | 22.3  | 22.4        |
|                 | 64QAM      | 1             | 0         | <b>23.0</b>             | 22.8        | <b>23.0</b> | 22.5  | 22.4  | 22.5        |
|                 |            | 1             | 24        | <b>23.0</b>             | 22.8        | <b>23.0</b> | 22.5  | 22.5  | <b>22.6</b> |
|                 |            | 1             | 49        | <b>23.0</b>             | 22.7        | 22.9        | 22.3  | 22.4  | 22.5        |
|                 |            | 25            | 0         | 21.1                    | 20.5        | 21.0        | 20.4  | 20.3  | 20.4        |
|                 |            | 25            | 12        | 21.0                    | 20.5        | 20.9        | 20.4  | 20.3  | 20.4        |
|                 |            | 25            | 24        | 21.0                    | 20.5        | 20.9        | 20.3  | 20.3  | 20.4        |
|                 |            | 50            | 0         | 21.0                    | 20.5        | 20.9        | 20.3  | 20.3  | 20.4        |
|                 | 256QAM     | 1             | 0         | 18.6                    | <b>19.5</b> | 18.6        | 17.9  | 17.9  | <b>18.0</b> |
|                 |            | 1             | 24        | 18.5                    | 19.4        | 18.6        | 18.0  | 17.8  | 18.0        |
|                 |            | 1             | 49        | 18.5                    | 19.3        | 18.4        | 17.9  | 17.8  | 17.9        |
|                 |            | 25            | 0         | 18.0                    | 18.1        | 18.0        | 17.9  | 17.3  | 17.9        |
| 25              |            | 12            | 18.0      | 18.0                    | 17.9        | 17.4        | 17.3  | 17.4  |             |
| 25              |            | 24            | 18.0      | 18.0                    | 17.9        | 17.4        | 17.3  | 17.4  |             |
| 50              |            | 0             | 18.0      | 18.0                    | 17.9        | 17.4        | 17.3  | 17.4  |             |

**5G NR n5**

|                          |         |                   |            |
|--------------------------|---------|-------------------|------------|
| <b>Test Engineer ID:</b> | 28498AC | <b>Test Date:</b> | 2024-02-07 |
|--------------------------|---------|-------------------|------------|

**OUTPUT POWER FOR 5G NR n5 (5.0 MHz)**

| Bandwidth (MHz) | Modulation | RB Allocation | RB Offset | Conducted Average (dBm) |        |        |        |        |        |
|-----------------|------------|---------------|-----------|-------------------------|--------|--------|--------|--------|--------|
|                 |            |               |           | ANT 0                   |        |        | ANT 1  |        |        |
|                 |            |               |           | 165300                  | 167300 | 169300 | 165300 | 167300 | 169300 |
| 5.0             | BPSK       | 1             | 0         | 826.5                   | 836.5  | 846.5  | 826.5  | 836.5  | 846.5  |
|                 |            | 1             | 1         | 24.9                    | 24.7   | 24.9   | 23.5   | 24.4   | 23.4   |
|                 |            | 1             | 23        | 24.5                    | 24.3   | 24.5   | 24.7   | 24.5   | 24.5   |
|                 |            | 1             | 24        | 24.7                    | 24.2   | 24.5   | 24.8   | 24.6   | 24.5   |
|                 |            | 1             | 24        | 24.9                    | 24.9   | 24.9   | 25.0   | 24.9   | 25.0   |
|                 |            | 12            | 6         | 24.3                    | 24.4   | 24.2   | 24.5   | 24.5   | 24.4   |
|                 | QPSK       | 25            | 0         | 24.4                    | 24.5   | 24.4   | 24.6   | 24.4   | 24.3   |
|                 |            | 1             | 0         | 24.9                    | 24.8   | 24.8   | 23.5   | 23.4   | 23.3   |
|                 |            | 1             | 1         | 24.2                    | 24.9   | 24.6   | 24.2   | 24.2   | 24.0   |
|                 |            | 1             | 23        | 24.8                    | 24.8   | 24.6   | 24.4   | 24.2   | 24.0   |
|                 |            | 1             | 24        | 24.6                    | 24.8   | 24.8   | 23.5   | 24.5   | 24.8   |
|                 |            | 12            | 6         | 25.0                    | 24.9   | 24.7   | 24.2   | 24.1   | 24.1   |
|                 | 16QAM      | 25            | 0         | 24.8                    | 24.8   | 24.3   | 23.5   | 24.5   | 24.5   |
|                 |            | 1             | 0         | 24.2                    | 23.8   | 23.6   | 22.8   | 24.1   | 23.8   |
|                 |            | 1             | 1         | 24.8                    | 24.7   | 24.9   | 23.9   | 24.6   | 24.3   |
|                 |            | 1             | 23        | 24.5                    | 24.7   | 24.6   | 23.7   | 24.6   | 24.8   |
|                 |            | 1             | 24        | 24.4                    | 23.8   | 23.2   | 22.6   | 23.4   | 24.1   |
|                 |            | 12            | 6         | 24.7                    | 24.8   | 24.6   | 23.5   | 24.5   | 24.8   |
|                 | 64QAM      | 25            | 0         | 24.0                    | 23.9   | 23.6   | 22.5   | 23.7   | 23.7   |
|                 |            | 1             | 0         | 23.2                    | 23.6   | 23.4   | 23.5   | 22.7   | 22.9   |
|                 |            | 1             | 1         | 23.3                    | 23.6   | 23.5   | 23.2   | 22.1   | 23.4   |
|                 |            | 1             | 23        | 22.9                    | 23.5   | 23.0   | 23.5   | 23.6   | 23.6   |
|                 |            | 1             | 24        | 23.4                    | 23.5   | 23.6   | 24.0   | 22.8   | 23.8   |
|                 |            | 12            | 6         | 23.4                    | 23.3   | 23.0   | 23.6   | 23.0   | 23.3   |
|                 | 256QAM     | 25            | 0         | 23.5                    | 23.4   | 23.0   | 23.5   | 23.0   | 23.4   |
|                 |            | 1             | 0         | 20.1                    | 20.1   | 19.8   | 20.1   | 19.9   | 20.0   |
|                 |            | 1             | 1         | 20.2                    | 19.9   | 20.1   | 20.2   | 20.0   | 20.1   |
|                 |            | 1             | 23        | 20.1                    | 20.1   | 19.7   | 20.0   | 20.2   | 20.1   |
|                 |            | 1             | 24        | 20.1                    | 20.0   | 19.7   | 20.1   | 19.7   | 20.2   |
|                 |            | 12            | 6         | 19.9                    | 19.8   | 19.9   | 19.9   | 20.0   | 20.1   |
|                 | 25         | 0             | 19.9      | 19.7                    | 19.8   | 20.0   | 19.9   | 20.0   |        |

**OUTPUT POWER FOR 5G NR n5 (10.0 MHz)**

| Bandwidth (MHz) | Modulation | RB Allocation | RB Offset | Conducted Average (dBm) |        |        |        |        |        |
|-----------------|------------|---------------|-----------|-------------------------|--------|--------|--------|--------|--------|
|                 |            |               |           | ANT 0                   |        |        | ANT 1  |        |        |
|                 |            |               |           | 165800                  | 167300 | 168800 | 165800 | 167300 | 168800 |
| 10.0            | BPSK       | 1             | 0         | 829.0                   | 836.5  | 844.0  | 829.0  | 836.5  | 844.0  |
|                 |            | 1             | 1         | 24.9                    | 24.9   | 24.6   | 24.4   | 24.8   | 24.2   |
|                 |            | 1             | 50        | 24.8                    | 25.0   | 24.8   | 24.0   | 24.3   | 23.8   |
|                 |            | 1             | 51        | 23.8                    | 24.7   | 24.1   | 24.4   | 24.4   | 23.8   |
|                 |            | 25            | 12        | 24.9                    | 24.9   | 24.9   | 24.0   | 24.0   | 24.5   |
|                 |            | 50            | 0         | 24.7                    | 24.5   | 24.2   | 24.0   | 24.2   | 24.5   |
|                 | QPSK       | 1             | 0         | 24.7                    | 24.7   | 24.8   | 24.8   | 25.0   | 25.0   |
|                 |            | 1             | 1         | 24.4                    | 24.7   | 24.4   | 24.3   | 24.1   | 24.1   |
|                 |            | 1             | 50        | 24.2                    | 24.4   | 24.3   | 24.4   | 24.9   | 24.2   |
|                 |            | 1             | 51        | 24.7                    | 24.8   | 24.7   | 24.3   | 24.2   | 24.7   |
|                 |            | 25            | 12        | 24.6                    | 24.4   | 24.4   | 24.2   | 24.2   | 24.2   |
|                 |            | 50            | 0         | 24.5                    | 24.5   | 24.3   | 24.2   | 24.4   | 24.3   |
|                 | 16QAM      | 1             | 0         | 23.5                    | 23.7   | 23.9   | 23.5   | 23.8   | 23.3   |
|                 |            | 1             | 1         | 24.4                    | 24.9   | 24.1   | 24.2   | 24.7   | 24.3   |
|                 |            | 1             | 50        | 24.6                    | 24.3   | 24.4   | 24.3   | 24.6   | 24.1   |
|                 |            | 1             | 51        | 23.5                    | 23.4   | 23.1   | 23.7   | 23.5   | 22.6   |
|                 |            | 25            | 12        | 24.7                    | 24.6   | 24.3   | 24.6   | 24.6   | 24.5   |
|                 |            | 50            | 0         | 23.7                    | 23.4   | 23.1   | 23.5   | 23.6   | 23.3   |
|                 | 64QAM      | 1             | 0         | 23.0                    | 23.0   | 22.2   | 23.6   | 22.7   | 23.1   |
|                 |            | 1             | 1         | 23.2                    | 23.3   | 22.8   | 23.6   | 23.1   | 23.4   |
|                 |            | 1             | 50        | 23.3                    | 23.7   | 22.8   | 23.2   | 23.1   | 22.4   |
|                 |            | 1             | 51        | 23.4                    | 22.9   | 22.4   | 23.6   | 22.5   | 23.9   |
|                 |            | 25            | 12        | 23.3                    | 23.2   | 23.0   | 23.1   | 23.3   | 23.0   |
|                 |            | 50            | 0         | 23.4                    | 23.1   | 22.9   | 23.0   | 23.3   | 23.0   |
|                 | 256QAM     | 1             | 0         | 20.1                    | 20.2   | 19.5   | 19.5   | 20.0   | 19.6   |
|                 |            | 1             | 1         | 19.3                    | 20.2   | 19.8   | 20.4   | 20.1   | 19.8   |
|                 |            | 1             | 50        | 20.1                    | 20.3   | 19.7   | 20.1   | 19.9   | 20.1   |
|                 |            | 1             | 51        | 19.7                    | 20.0   | 20.0   | 20.1   | 20.0   | 20.0   |
|                 |            | 25            | 12        | 19.9                    | 19.9   | 19.8   | 19.9   | 20.0   | 19.9   |
|                 |            | 50            | 0         | 19.9                    | 19.9   | 19.8   | 20.0   | 19.9   | 19.9   |

**OUTPUT POWER FOR 5G NR n5 (15.0 MHz)**

| Bandwidth (MHz) | Modulation | RB Allocation | RB Offset | Conducted Average (dBm) |             |             |        |             |             |
|-----------------|------------|---------------|-----------|-------------------------|-------------|-------------|--------|-------------|-------------|
|                 |            |               |           | ANT 0                   |             |             | ANT 1  |             |             |
|                 |            |               |           | 166300                  | 167300      | 168300      | 166300 | 167300      | 168300      |
| 15.0            | BPSK       | 1             | 0         | 24.9                    | 23.8        | 24.6        | 23.6   | 24.9        | <b>24.9</b> |
|                 |            | 1             | 1         | 24.9                    | 24.9        | 24.7        | 24.8   | 24.5        | 24.4        |
|                 |            | 1             | 77        | 24.8                    | 24.6        | 24.8        | 24.6   | 24.4        | 24.4        |
|                 |            | 1             | 78        | 24.4                    | 24.1        | 24.3        | 23.4   | 24.8        | 24.7        |
|                 |            | 36            | 18        | <b>24.9</b>             | 24.9        | 24.8        | 24.5   | 24.5        | 24.4        |
|                 |            | 75            | 0         | 24.3                    | 24.2        | 24.3        | 24.6   | 24.5        | 24.4        |
|                 |            | 1             | 0         | 24.8                    | <b>24.9</b> | 24.8        | 25.0   | 24.8        | 24.7        |
|                 | QPSK       | 1             | 1         | 24.6                    | 24.6        | 24.4        | 24.4   | 24.2        | 24.1        |
|                 |            | 1             | 77        | 24.3                    | 24.2        | 24.2        | 24.2   | 24.1        | 24.2        |
|                 |            | 1             | 78        | 24.6                    | 24.1        | 24.6        | 24.9   | 24.5        | 24.8        |
|                 |            | 36            | 18        | 24.2                    | 24.1        | 24.1        | 24.3   | 24.2        | 24.1        |
|                 |            | 75            | 0         | 24.4                    | 24.2        | 24.4        | 24.6   | 24.8        | <b>25.0</b> |
|                 |            | 1             | 0         | 23.6                    | 23.5        | 23.0        | 23.8   | 23.9        | 24.3        |
|                 |            | 1             | 1         | <b>24.8</b>             | 24.6        | 24.3        | 23.4   | 23.4        | 24.8        |
|                 | 16QAM      | 1             | 77        | 24.0                    | 24.4        | 24.7        | 23.4   | 24.7        | 24.8        |
|                 |            | 1             | 78        | 23.6                    | 23.6        | 23.2        | 23.8   | 23.6        | 23.8        |
|                 |            | 36            | 18        | 24.4                    | 24.4        | 24.3        | 24.7   | 24.8        | <b>24.9</b> |
|                 |            | 75            | 0         | 23.6                    | 23.4        | 23.3        | 23.8   | 23.8        | 23.9        |
|                 |            | 1             | 0         | 22.8                    | 22.9        | 22.7        | 23.2   | 23.4        | <b>23.6</b> |
|                 |            | 1             | 1         | 23.0                    | 22.9        | <b>23.2</b> | 23.6   | 23.6        | 23.6        |
|                 |            | 1             | 77        | 23.1                    | 22.8        | 23.0        | 23.3   | 22.8        | 23.4        |
|                 | 64QAM      | 1             | 78        | 23.0                    | 22.7        | 23.0        | 23.5   | 22.8        | 23.4        |
|                 |            | 36            | 18        | 23.1                    | 23.1        | 23.0        | 23.2   | 23.3        | 23.3        |
|                 |            | 75            | 0         | 23.0                    | 23.2        | 23.1        | 23.3   | 23.3        | 23.4        |
|                 |            | 1             | 0         | 19.6                    | 19.9        | 20.1        | 20.2   | <b>20.3</b> | 19.6        |
|                 |            | 1             | 1         | 19.5                    | 19.9        | 20.2        | 20.3   | 20.3        | 20.1        |
|                 |            | 1             | 77        | 19.6                    | 19.3        | <b>20.5</b> | 20.2   | 20.0        | 20.1        |
|                 |            | 1             | 78        | 19.4                    | 19.6        | 20.3        | 20.1   | 20.1        | 19.4        |
|                 | 256QAM     | 36            | 18        | 19.9                    | 19.9        | 19.9        | 20.0   | 20.0        | 19.8        |
|                 |            | 75            | 0         | 20.0                    | 20.0        | 19.9        | 19.9   | 20.0        | 19.9        |

**OUTPUT POWER FOR 5G NR n5 (20.0 MHz)**

| Bandwidth (MHz) | Modulation | RB Allocation | RB Offset | Conducted Average (dBm) |        |             |        |             |             |
|-----------------|------------|---------------|-----------|-------------------------|--------|-------------|--------|-------------|-------------|
|                 |            |               |           | ANT 0                   |        |             | ANT 1  |             |             |
|                 |            |               |           | 166800                  | 167300 | 167800      | 166800 | 167300      | 167800      |
| 20.0            | BPSK       | 1             | 0         | 24.7                    | 23.9   | 24.8        | 24.5   | 24.6        | <b>24.9</b> |
|                 |            | 1             | 1         | <b>24.9</b>             | 24.8   | 23.8        | 24.3   | 24.3        | 24.5        |
|                 |            | 1             | 104       | 24.8                    | 24.8   | 24.8        | 24.1   | 23.9        | 24.5        |
|                 |            | 1             | 105       | 24.2                    | 24.5   | 24.4        | 24.3   | 24.6        | <b>24.9</b> |
|                 |            | 50            | 25        | 24.8                    | 24.9   | 24.9        | 23.9   | 24.2        | 24.6        |
|                 |            | 100           | 0         | 24.2                    | 24.4   | 24.3        | 24.2   | 24.1        | 24.3        |
|                 |            | 1             | 0         | <b>24.9</b>             | 24.9   | 24.9        | 24.7   | 23.6        | <b>25.0</b> |
|                 | QPSK       | 1             | 1         | 24.5                    | 24.5   | 24.5        | 24.2   | 24.1        | 24.2        |
|                 |            | 1             | 104       | 23.6                    | 24.3   | 24.3        | 24.1   | 24.2        | 24.1        |
|                 |            | 1             | 105       | 24.0                    | 24.7   | 24.6        | 24.3   | 24.5        | 24.6        |
|                 |            | 50            | 25        | 23.8                    | 23.7   | 24.6        | 24.2   | 24.3        | 24.1        |
|                 |            | 100           | 0         | 23.8                    | 24.5   | 24.3        | 24.6   | 24.4        | 24.5        |
|                 |            | 1             | 0         | 23.3                    | 23.7   | 23.9        | 23.4   | 23.8        | 23.9        |
|                 |            | 1             | 1         | 24.6                    | 24.6   | <b>24.8</b> | 24.7   | 24.4        | 24.6        |
|                 | 16QAM      | 1             | 104       | 24.0                    | 24.3   | 24.2        | 24.3   | 24.7        | 23.6        |
|                 |            | 1             | 105       | 23.0                    | 23.2   | 23.0        | 23.6   | 23.3        | 23.6        |
|                 |            | 50            | 25        | 24.4                    | 24.6   | 24.3        | 24.6   | 24.6        | <b>24.8</b> |
|                 |            | 100           | 0         | 23.4                    | 23.5   | 23.4        | 23.7   | 23.6        | 23.6        |
|                 |            | 1             | 0         | 23.3                    | 22.8   | 23.2        | 23.4   | 22.9        | 23.3        |
|                 |            | 1             | 1         | 22.8                    | 23.4   | <b>23.5</b> | 23.4   | 23.0        | 23.2        |
|                 |            | 1             | 104       | 22.9                    | 22.4   | 23.0        | 23.3   | 22.9        | 23.4        |
|                 | 64QAM      | 1             | 105       | 22.8                    | 22.9   | 23.0        | 23.0   | 23.0        | 23.3        |
|                 |            | 50            | 25        | 23.1                    | 23.0   | 23.2        | 23.2   | 23.4        | <b>23.5</b> |
|                 |            | 100           | 0         | 23.1                    | 23.0   | 23.0        | 23.3   | 23.3        | 23.3        |
|                 |            | 1             | 0         | <b>20.5</b>             | 20.0   | 19.8        | 20.1   | <b>20.2</b> | 20.1        |
|                 |            | 1             | 1         | 20.4                    | 19.9   | 20.1        | 20.0   | 20.0        | 19.9        |
|                 |            | 1             | 104       | 20.2                    | 19.5   | 19.9        | 20.1   | 20.2        | 19.7        |
|                 |            | 1             | 105       | 20.1                    | 19.7   | 19.8        | 20.1   | 20.0        | 19.7        |
|                 | 256QAM     | 50            | 25        | 19.9                    | 19.9   | 19.9        | 20.1   | 20.0        | 19.9        |
|                 |            | 100           | 0         | 20.0                    | 20.0   | 19.9        | 20.0   | 20.0        | 19.8        |

## 8.2. LTE BAND 7 AND 5G NR n7

### LTE BAND 7

|                          |                     |                   |                          |
|--------------------------|---------------------|-------------------|--------------------------|
| <b>Test Engineer ID:</b> | 43576TS and 52300CK | <b>Test Date:</b> | 2024-01-24 to 2024-03-15 |
|--------------------------|---------------------|-------------------|--------------------------|

### OUTPUT POWER FOR LTE BAND 7 (5.0 MHz)

| Bandwidth (MHz) | Modulation | RB Allocation | RB Offset | Conducted Average (dBm) |             |       |       |             |       |
|-----------------|------------|---------------|-----------|-------------------------|-------------|-------|-------|-------------|-------|
|                 |            |               |           | ANT 2                   |             |       | ANT 0 |             |       |
|                 |            |               |           | 20775                   | 21100       | 21425 | 20775 | 21100       | 21425 |
| 5.0             | QPSK       | 1             | 0         | 24.4                    | 24.5        | 24.4  | 23.4  | 23.4        | 23.3  |
|                 |            | 1             | 12        | 24.5                    | <b>24.6</b> | 24.6  | 23.3  | <b>23.5</b> | 23.3  |
|                 |            | 1             | 24        | 24.4                    | 24.5        | 24.4  | 23.4  | 23.4        | 23.3  |
|                 |            | 12            | 0         | 23.5                    | 23.4        | 23.3  | 22.5  | 22.4        | 22.3  |
|                 |            | 12            | 6         | 23.4                    | 23.4        | 23.3  | 22.4  | 22.4        | 22.3  |
|                 |            | 12            | 11        | 23.5                    | 23.4        | 23.3  | 22.4  | 22.4        | 22.3  |
|                 |            | 25            | 0         | 23.5                    | 23.4        | 23.3  | 22.4  | 22.4        | 22.3  |
|                 |            | 25            | 12        | 23.5                    | 23.4        | 23.3  | 22.4  | 22.4        | 22.3  |
|                 | 16QAM      | 1             | 0         | 23.8                    | 23.8        | 23.8  | 22.8  | <b>22.8</b> | 22.5  |
|                 |            | 1             | 12        | <b>24.0</b>             | 23.9        | 23.6  | 22.7  | 22.7        | 22.6  |
|                 |            | 1             | 24        | 23.9                    | 23.8        | 23.8  | 22.7  | 22.7        | 22.5  |
|                 |            | 12            | 0         | 22.5                    | 22.4        | 22.4  | 21.5  | 21.4        | 21.4  |
|                 |            | 12            | 6         | 22.5                    | 22.4        | 22.4  | 21.5  | 21.4        | 21.4  |
|                 |            | 12            | 11        | 22.5                    | 22.4        | 22.4  | 21.5  | 21.4        | 21.4  |
|                 |            | 25            | 0         | 22.5                    | 22.4        | 22.3  | 21.5  | 21.4        | 21.3  |
|                 |            | 25            | 12        | 22.5                    | 22.4        | 22.3  | 21.5  | 21.4        | 21.3  |
|                 | 64QAM      | 1             | 0         | 22.4                    | 22.6        | 22.6  | 21.5  | 21.6        | 21.3  |
|                 |            | 1             | 12        | 22.3                    | <b>22.8</b> | 22.6  | 21.5  | <b>21.6</b> | 21.4  |
|                 |            | 1             | 24        | 22.5                    | 22.7        | 22.6  | 21.6  | 21.6        | 21.4  |
|                 |            | 12            | 0         | 21.5                    | 21.3        | 21.3  | 20.4  | 20.5        | 20.3  |
|                 |            | 12            | 6         | 21.5                    | 21.3        | 21.3  | 20.5  | 20.4        | 20.3  |
|                 |            | 12            | 11        | 21.5                    | 21.3        | 21.3  | 20.5  | 20.4        | 20.3  |
|                 |            | 25            | 0         | 21.4                    | 21.4        | 21.3  | 20.5  | 20.4        | 20.3  |
|                 |            | 25            | 12        | 21.4                    | 21.4        | 21.3  | 20.5  | 20.4        | 20.3  |
|                 | 256QAM     | 1             | 0         | 19.5                    | 19.4        | 19.5  | 18.5  | 18.6        | 18.3  |
|                 |            | 1             | 12        | <b>19.7</b>             | 19.4        | 19.6  | 18.4  | <b>18.6</b> | 18.3  |
|                 |            | 1             | 24        | 19.6                    | 19.3        | 19.5  | 18.5  | 18.6        | 18.3  |
|                 |            | 12            | 0         | 19.4                    | 19.4        | 19.3  | 18.5  | 18.4        | 18.3  |
|                 |            | 12            | 6         | 19.4                    | 19.4        | 19.3  | 18.5  | 18.4        | 18.3  |
|                 |            | 12            | 11        | 19.4                    | 19.3        | 19.3  | 18.5  | 18.4        | 18.3  |
|                 |            | 25            | 0         | 19.4                    | 19.3        | 19.3  | 18.5  | 18.5        | 18.3  |
|                 |            | 25            | 12        | 19.4                    | 19.3        | 19.3  | 18.5  | 18.5        | 18.3  |

### OUTPUT POWER FOR LTE BAND 7 (10.0 MHz)

| Bandwidth (MHz) | Modulation | RB Allocation | RB Offset | Conducted Average (dBm) |             |             |             |             |             |
|-----------------|------------|---------------|-----------|-------------------------|-------------|-------------|-------------|-------------|-------------|
|                 |            |               |           | ANT 2                   |             |             | ANT 0       |             |             |
|                 |            |               |           | 20800                   | 21100       | 21400       | 20800       | 21100       | 21400       |
| 10.0            | QPSK       | 1             | 0         | 24.5                    | 24.5        | 24.4        | <b>23.5</b> | 23.4        | 23.4        |
|                 |            | 1             | 24        | 24.5                    | 24.4        | <b>24.5</b> | 23.4        | 23.4        | 23.4        |
|                 |            | 1             | 49        | 24.1                    | 24.5        | 24.4        | 23.4        | 23.4        | 23.3        |
|                 |            | 25            | 0         | 23.5                    | 23.4        | 23.3        | 22.5        | 22.4        | 22.3        |
|                 |            | 25            | 12        | 23.5                    | 23.4        | 23.3        | 22.5        | 22.4        | 22.3        |
|                 |            | 25            | 24        | 23.4                    | 23.4        | 23.3        | 22.4        | 22.4        | 22.3        |
|                 |            | 50            | 0         | 23.5                    | 23.4        | 23.3        | 22.4        | 22.4        | 22.3        |
|                 |            | 50            | 12        | 23.5                    | 23.4        | 23.3        | 22.4        | 22.4        | 22.3        |
|                 | 16QAM      | 1             | 0         | 23.5                    | 23.8        | 23.8        | 22.7        | 22.6        | 22.8        |
|                 |            | 1             | 24        | 23.4                    | 23.8        | 23.7        | 22.8        | 22.8        | <b>22.9</b> |
|                 |            | 1             | 49        | 23.2                    | <b>23.8</b> | 23.8        | 22.6        | 22.5        | 22.6        |
|                 |            | 25            | 0         | 22.5                    | 22.4        | 22.3        | 21.5        | 21.4        | 21.3        |
|                 |            | 25            | 12        | 22.5                    | 22.4        | 22.3        | 21.5        | 21.4        | 21.3        |
|                 |            | 25            | 24        | 22.5                    | 22.4        | 22.3        | 21.5        | 21.4        | 21.3        |
|                 |            | 50            | 0         | 22.5                    | 22.4        | 22.3        | 21.5        | 21.5        | 21.3        |
|                 |            | 50            | 12        | 22.5                    | 22.4        | 22.3        | 21.5        | 21.5        | 21.3        |
|                 | 64QAM      | 1             | 0         | 22.5                    | 22.6        | 22.3        | 21.7        | 21.8        | 21.5        |
|                 |            | 1             | 24        | <b>22.7</b>             | 22.3        | 22.2        | 21.8        | <b>22.0</b> | 21.7        |
|                 |            | 1             | 49        | 22.5                    | 22.6        | 22.4        | 21.6        | 21.7        | 21.4        |
|                 |            | 25            | 0         | 21.5                    | 21.5        | 21.4        | 20.5        | 20.5        | 20.4        |
|                 |            | 25            | 12        | 21.5                    | 21.4        | 21.4        | 20.5        | 20.5        | 20.3        |
|                 |            | 25            | 24        | 21.5                    | 21.4        | 21.4        | 20.5        | 20.4        | 20.3        |
|                 |            | 50            | 0         | 21.4                    | 21.4        | 21.4        | 20.5        | 20.4        | 20.3        |
|                 |            | 50            | 12        | 21.4                    | 21.4        | 21.4        | 20.5        | 20.4        | 20.3        |
|                 | 256QAM     | 1             | 0         | 19.4                    | 19.7        | 19.5        | <b>18.7</b> | 18.6        | 18.5        |
|                 |            | 1             | 24        | 19.3                    | <b>19.8</b> | 19.6        | 18.6        | 18.6        | 18.4        |
|                 |            | 1             | 49        | 19.4                    | 19.6        | 19.4        | 18.6        | 18.5        | 18.5        |
|                 |            | 25            | 0         | 19.4                    | 19.4        | 19.3        | 18.6        | 18.5        | 18.4        |
|                 |            | 25            | 12        | 19.4                    | 19.4        | 19.3        | 18.6        | 18.5        | 18.4        |
|                 |            | 25            | 24        | 19.4                    | 19.4        | 19.3        | 18.6        | 18.5        | 18.4        |
|                 |            | 50            | 0         | 19.4                    | 19.4        | 19.2        | 18.5        | 18.4        | 18.3        |
|                 |            | 50            | 12        | 19.4                    | 19.4        | 19.2        | 18.5        | 18.4        | 18.3        |

**OUTPUT POWER FOR LTE BAND 7 (15.0 MHz)**

| Bandwidth (MHz) | Modulation | RB Allocation | RB Offset | Conducted Average (dBm) |       |       |       |       |       |
|-----------------|------------|---------------|-----------|-------------------------|-------|-------|-------|-------|-------|
|                 |            |               |           | ANT 2                   |       |       | ANT 0 |       |       |
|                 |            |               |           | 20825                   | 21100 | 21375 | 20825 | 21100 | 21375 |
| 15.0            | QPSK       | 1             | 0         | 24.1                    | 24.4  | 24.2  | 23.5  | 23.5  | 23.4  |
|                 |            | 1             | 37        | 24.1                    | 24.6  | 24.2  | 23.3  | 23.4  | 23.2  |
|                 |            | 1             | 74        | 23.6                    | 24.5  | 24.0  | 23.3  | 23.3  | 23.3  |
|                 |            | 36            | 0         | 23.2                    | 23.4  | 23.2  | 22.4  | 22.4  | 22.3  |
|                 |            | 36            | 16        | 23.2                    | 23.4  | 23.3  | 22.4  | 22.4  | 22.3  |
|                 |            | 36            | 35        | 23.0                    | 23.5  | 23.4  | 22.4  | 22.4  | 22.3  |
|                 |            | 75            | 0         | 23.2                    | 23.4  | 23.4  | 22.4  | 22.4  | 22.3  |
|                 | 16QAM      | 1             | 0         | 23.6                    | 23.8  | 23.6  | 22.8  | 22.8  | 22.8  |
|                 |            | 1             | 37        | 23.6                    | 24.0  | 23.8  | 22.8  | 22.9  | 22.8  |
|                 |            | 1             | 74        | 23.2                    | 23.8  | 23.6  | 22.7  | 22.8  | 22.7  |
|                 |            | 36            | 0         | 22.4                    | 22.4  | 22.3  | 21.5  | 21.5  | 21.4  |
|                 |            | 36            | 16        | 22.4                    | 22.4  | 22.3  | 21.5  | 21.4  | 21.3  |
|                 |            | 36            | 35        | 22.4                    | 22.4  | 22.3  | 21.4  | 21.4  | 21.3  |
|                 |            | 75            | 0         | 22.4                    | 22.4  | 22.3  | 21.5  | 21.4  | 21.3  |
|                 | 64QAM      | 1             | 0         | 22.6                    | 22.8  | 22.4  | 21.6  | 21.7  | 21.7  |
|                 |            | 1             | 37        | 22.4                    | 22.9  | 22.5  | 21.4  | 21.5  | 21.5  |
|                 |            | 1             | 74        | 22.6                    | 22.7  | 22.4  | 21.6  | 21.6  | 21.6  |
|                 |            | 36            | 0         | 21.4                    | 21.5  | 21.4  | 20.5  | 20.4  | 20.3  |
|                 |            | 36            | 16        | 21.4                    | 21.5  | 21.4  | 20.5  | 20.4  | 20.3  |
|                 |            | 36            | 35        | 21.4                    | 21.5  | 21.4  | 20.4  | 20.4  | 20.3  |
|                 |            | 75            | 0         | 21.4                    | 21.4  | 21.3  | 20.5  | 20.4  | 20.3  |
|                 | 256QAM     | 1             | 0         | 19.5                    | 19.6  | 19.4  | 18.7  | 18.7  | 18.3  |
|                 |            | 1             | 37        | 19.7                    | 19.6  | 19.5  | 18.7  | 18.7  | 18.4  |
|                 |            | 1             | 74        | 19.5                    | 19.5  | 19.4  | 18.6  | 18.5  | 18.3  |
|                 |            | 36            | 0         | 19.4                    | 19.4  | 19.3  | 18.5  | 18.4  | 18.3  |
|                 |            | 36            | 16        | 19.4                    | 19.4  | 19.3  | 18.4  | 18.4  | 18.3  |
|                 |            | 36            | 35        | 19.4                    | 19.4  | 19.3  | 18.4  | 18.4  | 18.3  |
|                 |            | 75            | 0         | 19.4                    | 19.4  | 19.2  | 18.5  | 18.4  | 18.3  |

**OUTPUT POWER FOR LTE BAND 7 (20.0 MHz)**

| Bandwidth (MHz) | Modulation | RB Allocation | RB Offset | Conducted Average (dBm) |       |       |       |       |       |      |
|-----------------|------------|---------------|-----------|-------------------------|-------|-------|-------|-------|-------|------|
|                 |            |               |           | ANT 2                   |       |       | ANT 0 |       |       |      |
|                 |            |               |           | 20850                   | 21100 | 21350 | 20850 | 21100 | 21350 |      |
| 20.0            | QPSK       | 1             | 0         | 23.9                    | 24.1  | 24.2  | 23.6  | 23.5  | 23.4  |      |
|                 |            | 1             | 49        | 23.6                    | 24.2  | 23.8  | 23.7  | 23.7  | 23.6  |      |
|                 |            | 1             | 99        | 23.5                    | 24.2  | 24.1  | 23.4  | 23.4  | 23.3  |      |
|                 |            | 50            | 0         | 22.8                    | 23.3  | 23.1  | 22.5  | 22.5  | 22.4  |      |
|                 |            | 50            | 24        | 22.8                    | 23.4  | 23.2  | 22.4  | 22.4  | 22.3  |      |
|                 |            | 50            | 49        | 22.8                    | 23.4  | 23.2  | 22.4  | 22.4  | 22.3  |      |
|                 |            | 100           | 0         | 22.8                    | 23.4  | 23.2  | 22.5  | 22.4  | 22.3  |      |
|                 |            | 1             | 0         | 23.5                    | 23.6  | 23.5  | 22.9  | 22.8  | 22.9  |      |
|                 |            | 16QAM         | 1         | 49                      | 23.2  | 23.8  | 23.2  | 22.7  | 22.6  | 22.7 |
|                 |            |               | 1         | 99                      | 23.3  | 23.8  | 23.5  | 22.7  | 22.7  | 22.7 |
|                 | 50         |               | 0         | 22.1                    | 22.4  | 22.4  | 21.5  | 21.5  | 21.4  |      |
|                 | 50         |               | 24        | 22.2                    | 22.4  | 22.4  | 21.5  | 21.4  | 21.3  |      |
|                 | 50         |               | 49        | 22.0                    | 22.4  | 22.4  | 21.4  | 21.4  | 21.3  |      |
|                 | 100        |               | 0         | 22.2                    | 22.4  | 22.4  | 21.5  | 21.5  | 21.4  |      |
|                 | 1          |               | 0         | 22.6                    | 22.7  | 22.7  | 21.7  | 21.8  | 21.6  |      |
|                 | 64QAM      |               | 1         | 49                      | 22.5  | 22.8  | 22.8  | 21.7  | 21.8  | 21.6 |
|                 |            |               | 1         | 99                      | 22.7  | 22.7  | 22.7  | 21.6  | 21.7  | 21.4 |
|                 |            |               | 50        | 0                       | 21.4  | 21.4  | 21.4  | 20.6  | 20.5  | 20.4 |
|                 |            | 50            | 24        | 21.4                    | 21.4  | 21.4  | 20.5  | 20.5  | 20.3  |      |
|                 |            | 50            | 49        | 21.4                    | 21.4  | 21.4  | 20.5  | 20.4  | 20.3  |      |
|                 |            | 100           | 0         | 21.4                    | 21.4  | 21.4  | 20.5  | 20.5  | 20.4  |      |
|                 |            | 1             | 0         | 19.6                    | 19.5  | 19.6  | 18.6  | 18.7  | 18.6  |      |
|                 |            | 256QAM        | 1         | 49                      | 19.8  | 19.5  | 19.8  | 18.7  | 18.8  | 18.7 |
|                 |            |               | 1         | 99                      | 19.6  | 19.5  | 19.6  | 18.5  | 18.6  | 18.5 |
|                 |            |               | 50        | 0                       | 19.4  | 19.3  | 19.4  | 18.6  | 18.5  | 18.4 |
|                 | 50         |               | 24        | 19.4                    | 19.3  | 19.3  | 18.5  | 18.5  | 18.3  |      |
|                 | 50         |               | 49        | 19.4                    | 19.3  | 19.3  | 18.5  | 18.4  | 18.3  |      |
|                 | 100        |               | 0         | 19.4                    | 19.3  | 19.3  | 18.5  | 18.5  | 18.4  |      |

**5G NR n7**

|                   |         |            |            |
|-------------------|---------|------------|------------|
| Test Engineer ID: | 28498AC | Test Date: | 2024-02-07 |
|-------------------|---------|------------|------------|

**OUTPUT POWER FOR 5G NR n7 (5.0 MHz)**

| Bandwidth (MHz) | Modulation | RB Allocation | RB Offset | Conducted Average (dBm) |        |        |        |        |        |
|-----------------|------------|---------------|-----------|-------------------------|--------|--------|--------|--------|--------|
|                 |            |               |           | ANT 2                   |        |        | ANT 0  |        |        |
|                 |            |               |           | 500500                  | 507000 | 513500 | 500500 | 507000 | 513500 |
| 5.0             | BPSK       | 1             | 0         | 23.8                    | 23.8   | 23.8   | 22.8   | 22.8   | 23.5   |
|                 |            | 1             | 1         | 24.4                    | 24.3   | 24.3   | 23.2   | 23.1   | 24.1   |
|                 |            | 1             | 23        | 24.3                    | 24.3   | 24.2   | 23.1   | 23.1   | 24.2   |
|                 |            | 1             | 24        | 23.9                    | 23.7   | 23.8   | 22.8   | 22.8   | 23.5   |
|                 |            | 12            | 6         | 24.3                    | 24.3   | 24.3   | 23.2   | 23.1   | 24.1   |
|                 |            | 25            | 0         | 23.9                    | 23.7   | 23.7   | 22.9   | 22.7   | 23.5   |
|                 | QPSK       | 1             | 0         | 23.4                    | 23.3   | 23.2   | 22.4   | 22.2   | 23.0   |
|                 |            | 1             | 1         | 24.4                    | 24.3   | 24.4   | 23.2   | 23.1   | 24.1   |
|                 |            | 1             | 23        | 24.3                    | 24.2   | 24.4   | 23.2   | 23.2   | 24.1   |
|                 |            | 1             | 24        | 23.3                    | 23.3   | 23.2   | 22.3   | 22.2   | 23.0   |
|                 |            | 12            | 6         | 24.4                    | 24.3   | 24.2   | 23.1   | 23.1   | 24.1   |
|                 |            | 25            | 0         | 23.3                    | 23.3   | 23.2   | 22.4   | 22.2   | 22.9   |
|                 | 16QAM      | 1             | 0         | 22.4                    | 22.2   | 22.2   | 21.5   | 21.2   | 22.0   |
|                 |            | 1             | 1         | 23.2                    | 23.0   | 23.2   | 22.4   | 22.5   | 23.2   |
|                 |            | 1             | 23        | 23.3                    | 23.2   | 23.1   | 22.2   | 22.3   | 23.1   |
|                 |            | 1             | 24        | 22.9                    | 22.4   | 22.0   | 21.5   | 21.0   | 22.0   |
|                 |            | 12            | 6         | 23.3                    | 23.3   | 23.2   | 22.4   | 22.3   | 23.0   |
|                 |            | 25            | 0         | 22.4                    | 22.3   | 22.2   | 21.4   | 21.3   | 22.0   |
|                 | 64QAM      | 1             | 0         | 21.8                    | 21.8   | 21.8   | 20.7   | 20.7   | 20.9   |
|                 |            | 1             | 1         | 21.8                    | 21.7   | 21.8   | 20.8   | 20.6   | 21.4   |
|                 |            | 1             | 23        | 21.8                    | 21.4   | 21.7   | 20.8   | 20.7   | 21.8   |
|                 |            | 1             | 24        | 21.8                    | 22.0   | 21.8   | 20.8   | 21.2   | 21.5   |
|                 |            | 12            | 6         | 21.9                    | 21.7   | 21.7   | 20.9   | 20.8   | 21.5   |
|                 |            | 25            | 0         | 21.7                    | 21.8   | 21.7   | 20.8   | 20.8   | 21.6   |
|                 | 256QAM     | 1             | 0         | 19.9                    | 20.1   | 19.8   | 19.0   | 18.4   | 19.8   |
|                 |            | 1             | 1         | 19.9                    | 19.7   | 19.6   | 19.0   | 18.7   | 19.4   |
|                 |            | 1             | 23        | 19.9                    | 20.1   | 19.9   | 18.9   | 18.4   | 19.5   |
|                 |            | 1             | 24        | 19.9                    | 19.6   | 19.8   | 18.9   | 19.1   | 19.5   |
|                 |            | 12            | 6         | 19.8                    | 19.7   | 19.7   | 18.8   | 18.8   | 19.5   |
|                 |            | 25            | 0         | 19.7                    | 19.6   | 19.7   | 18.9   | 18.7   | 19.3   |

**OUTPUT POWER FOR 5G NR n7 (10.0 MHz)**

| Bandwidth (MHz) | Modulation | RB Allocation | RB Offset | Conducted Average (dBm) |        |        |        |        |        |
|-----------------|------------|---------------|-----------|-------------------------|--------|--------|--------|--------|--------|
|                 |            |               |           | ANT 2                   |        |        | ANT 0  |        |        |
|                 |            |               |           | 501000                  | 507000 | 513000 | 501000 | 507000 | 513000 |
| 10.0            | BPSK       | 1             | 0         | 23.8                    | 23.7   | 23.7   | 23.7   | 23.6   | 23.5   |
|                 |            | 1             | 1         | 24.4                    | 24.3   | 24.2   | 24.2   | 24.0   | 24.0   |
|                 |            | 1             | 50        | 24.4                    | 24.2   | 24.3   | 24.2   | 24.0   | 24.1   |
|                 |            | 1             | 51        | 23.8                    | 23.7   | 23.7   | 23.8   | 23.5   | 23.5   |
|                 |            | 25            | 12        | 24.4                    | 24.3   | 24.2   | 24.2   | 24.1   | 24.0   |
|                 |            | 50            | 0         | 23.8                    | 23.7   | 23.7   | 23.7   | 23.6   | 23.5   |
|                 | QPSK       | 1             | 0         | 23.4                    | 23.2   | 23.2   | 23.1   | 23.2   | 22.9   |
|                 |            | 1             | 1         | 24.4                    | 24.3   | 24.1   | 24.3   | 24.1   | 24.0   |
|                 |            | 1             | 50        | 24.4                    | 24.2   | 24.2   | 24.2   | 24.1   | 24.1   |
|                 |            | 1             | 51        | 23.4                    | 23.2   | 23.1   | 23.2   | 23.1   | 23.1   |
|                 |            | 25            | 12        | 24.3                    | 24.3   | 24.2   | 24.2   | 24.1   | 24.0   |
|                 |            | 50            | 0         | 23.4                    | 23.2   | 23.2   | 23.2   | 23.1   | 23.0   |
|                 | 16QAM      | 1             | 0         | 22.4                    | 22.3   | 22.3   | 22.4   | 22.3   | 22.2   |
|                 |            | 1             | 1         | 23.2                    | 23.0   | 23.3   | 23.1   | 23.1   | 23.5   |
|                 |            | 1             | 50        | 23.2                    | 23.0   | 23.0   | 23.1   | 22.9   | 23.2   |
|                 |            | 1             | 51        | 22.4                    | 22.3   | 22.0   | 21.8   | 22.2   | 21.7   |
|                 |            | 25            | 12        | 23.4                    | 23.2   | 23.2   | 23.2   | 23.0   | 23.1   |
|                 |            | 50            | 0         | 22.3                    | 22.3   | 22.2   | 22.2   | 22.0   | 22.0   |
|                 | 64QAM      | 1             | 0         | 22.0                    | 21.2   | 21.5   | 21.7   | 21.7   | 21.4   |
|                 |            | 1             | 1         | 21.9                    | 21.9   | 21.2   | 21.6   | 21.5   | 21.8   |
|                 |            | 1             | 50        | 21.7                    | 21.8   | 21.6   | 21.7   | 21.6   | 21.7   |
|                 |            | 1             | 51        | 22.3                    | 21.4   | 21.9   | 21.8   | 21.6   | 21.1   |
|                 |            | 25            | 12        | 21.8                    | 21.7   | 21.6   | 21.6   | 21.4   | 21.4   |
|                 |            | 50            | 0         | 21.8                    | 21.7   | 21.6   | 21.7   | 21.4   | 21.5   |
|                 | 256QAM     | 1             | 0         | 19.7                    | 19.7   | 19.3   | 19.9   | 19.5   | 19.7   |
|                 |            | 1             | 1         | 19.7                    | 19.6   | 19.6   | 19.6   | 19.5   | 19.1   |
|                 |            | 1             | 50        | 19.9                    | 19.7   | 19.8   | 19.4   | 19.6   | 19.7   |
|                 |            | 1             | 51        | 19.4                    | 19.5   | 20.1   | 19.8   | 19.5   | 19.4   |
|                 |            | 25            | 12        | 19.7                    | 19.7   | 19.6   | 19.6   | 19.4   | 19.4   |
|                 |            | 50            | 0         | 19.8                    | 19.6   | 19.6   | 19.7   | 19.5   | 19.5   |



**OUTPUT POWER FOR 5G NR n7 (15.0 MHz)**

| Bandwidth (MHz) | Modulation | RB Allocation | RB Offset | Conducted Average (dBm) |             |             |             |        |             |
|-----------------|------------|---------------|-----------|-------------------------|-------------|-------------|-------------|--------|-------------|
|                 |            |               |           | ANT 2                   |             |             | ANT 0       |        |             |
|                 |            |               |           | 501500                  | 507000      | 512500      | 501500      | 507000 | 512500      |
| 15.0            | BPSK       | 1             | 0         | 23.8                    | 23.8        | 23.6        | 23.6        | 23.6   | 23.5        |
|                 |            | 1             | 1         | 24.3                    | 24.3        | 24.2        | 24.2        | 24.1   | 24.0        |
|                 |            | 1             | 77        | 24.3                    | 24.2        | 24.2        | <b>24.2</b> | 24.2   | 24.0        |
|                 |            | 1             | 78        | 23.8                    | 23.8        | 23.7        | 23.6        | 23.6   | 23.5        |
|                 |            | 36            | 18        | <b>24.4</b>             | 24.3        | 24.3        | 24.1        | 24.1   | 24.1        |
|                 |            | 75            | 0         | 23.8                    | 23.7        | 23.7        | 23.6        | 23.6   | 23.5        |
|                 | QPSK       | 1             | 0         | 23.3                    | 23.2        | 23.3        | 23.1        | 23.0   | 23.0        |
|                 |            | 1             | 1         | 24.4                    | 24.2        | 24.3        | <b>24.2</b> | 24.1   | 24.1        |
|                 |            | 1             | 77        | <b>24.4</b>             | 24.2        | 24.3        | 24.2        | 24.1   | 24.0        |
|                 |            | 1             | 78        | 23.3                    | 23.2        | 23.1        | 23.1        | 23.0   | 23.1        |
|                 |            | 36            | 18        | 24.3                    | 24.2        | 24.3        | 24.2        | 24.1   | 24.1        |
|                 |            | 75            | 0         | 23.3                    | 23.2        | 23.2        | 23.1        | 23.1   | 23.0        |
|                 | 16QAM      | 1             | 0         | 22.3                    | 21.7        | 22.3        | 22.2        | 22.1   | 22.3        |
|                 |            | 1             | 1         | <b>23.4</b>             | 23.1        | 23.0        | 23.0        | 23.3   | 23.0        |
|                 |            | 1             | 77        | 23.2                    | 23.0        | 23.3        | <b>23.4</b> | 22.9   | 23.1        |
|                 |            | 1             | 78        | 22.3                    | 22.1        | 22.4        | 21.9        | 22.2   | 22.0        |
|                 |            | 36            | 18        | 23.2                    | 23.2        | 23.2        | 23.3        | 23.1   | 23.0        |
|                 |            | 75            | 0         | 22.3                    | 22.2        | 22.3        | 22.2        | 22.0   | 22.1        |
|                 | 64QAM      | 1             | 0         | 21.9                    | 21.9        | <b>22.0</b> | <b>22.1</b> | 21.1   | 21.6        |
|                 |            | 1             | 1         | 21.7                    | 21.9        | 21.9        | 22.0        | 21.5   | 21.3        |
|                 |            | 1             | 77        | 21.8                    | 21.2        | 21.7        | 21.7        | 21.9   | 21.4        |
|                 |            | 1             | 78        | 21.7                    | 21.9        | 21.7        | 21.3        | 21.8   | 21.3        |
|                 |            | 36            | 18        | 21.8                    | 21.7        | 21.7        | 21.7        | 21.6   | 21.4        |
|                 |            | 75            | 0         | 21.8                    | 21.7        | 21.7        | 21.7        | 21.5   | 21.5        |
|                 | 256QAM     | 1             | 0         | 19.7                    | 19.2        | 19.9        | 19.6        | 19.1   | 19.5        |
|                 |            | 1             | 1         | 19.7                    | 19.4        | 19.9        | 19.5        | 19.5   | 19.4        |
|                 |            | 1             | 77        | 20.0                    | <b>20.2</b> | 19.7        | 19.7        | 19.2   | <b>19.9</b> |
|                 |            | 1             | 78        | 19.7                    | 19.6        | 19.8        | 19.5        | 19.3   | 19.4        |
|                 |            | 36            | 18        | 19.8                    | 19.6        | 19.6        | 19.6        | 19.5   | 19.5        |
|                 |            | 75            | 0         | 19.6                    | 19.6        | 19.7        | 19.7        | 19.5   | 19.4        |

**OUTPUT POWER FOR 5G NR n7 (20.0 MHz)**

| Bandwidth (MHz) | Modulation | RB Allocation | RB Offset | Conducted Average (dBm) |             |             |             |             |             |
|-----------------|------------|---------------|-----------|-------------------------|-------------|-------------|-------------|-------------|-------------|
|                 |            |               |           | ANT 2                   |             |             | ANT 0       |             |             |
|                 |            |               |           | 502000                  | 507000      | 512000      | 502000      | 507000      | 512000      |
| 20.0            | BPSK       | 1             | 0         | 23.8                    | 23.8        | 23.7        | 23.8        | 23.6        | 23.7        |
|                 |            | 1             | 1         | 24.3                    | 24.2        | 24.2        | <b>24.2</b> | 24.1        | 24.1        |
|                 |            | 1             | 104       | 24.4                    | 24.2        | 24.3        | 24.1        | 24.2        | 24.2        |
|                 |            | 1             | 105       | 23.8                    | 23.7        | 23.8        | 23.7        | 23.6        | 23.6        |
|                 |            | 50            | 25        | <b>24.4</b>             | 24.2        | 24.2        | 24.2        | 24.1        | 24.0        |
|                 |            | 100           | 0         | 23.8                    | 23.7        | 23.7        | 23.7        | 23.5        | 23.7        |
|                 | QPSK       | 1             | 0         | 23.4                    | 23.2        | 23.2        | 23.2        | 23.2        | 23.0        |
|                 |            | 1             | 1         | 24.3                    | 24.3        | 24.2        | 24.2        | 24.2        | 24.2        |
|                 |            | 1             | 104       | 24.2                    | 24.3        | 24.3        | 24.1        | 24.1        | 24.2        |
|                 |            | 1             | 105       | 23.2                    | 23.2        | 23.2        | 23.2        | 23.1        | 23.0        |
|                 |            | 50            | 25        | <b>24.4</b>             | 24.3        | 24.3        | <b>24.3</b> | 24.1        | 24.1        |
|                 |            | 100           | 0         | 23.4                    | 23.2        | 23.1        | 23.3        | 23.0        | 23.1        |
|                 | 16QAM      | 1             | 0         | 22.7                    | 22.2        | 21.9        | 22.3        | 22.4        | 22.1        |
|                 |            | 1             | 1         | 23.3                    | 23.2        | 23.3        | 23.2        | 23.1        | <b>23.3</b> |
|                 |            | 1             | 104       | <b>23.6</b>             | 23.3        | 23.2        | 23.2        | 23.2        | 22.8        |
|                 |            | 1             | 105       | 22.1                    | 22.3        | 22.1        | 22.1        | 22.6        | 22.2        |
|                 |            | 50            | 25        | 23.3                    | 23.2        | 23.1        | 23.3        | 23.1        | 23.1        |
|                 |            | 100           | 0         | 22.4                    | 22.2        | 22.2        | 22.2        | 22.1        | 22.1        |
|                 | 64QAM      | 1             | 0         | 22.0                    | <b>22.4</b> | 22.1        | 21.7        | 21.6        | 21.2        |
|                 |            | 1             | 1         | 21.6                    | 21.8        | 21.7        | 21.5        | <b>22.2</b> | 21.7        |
|                 |            | 1             | 104       | 21.3                    | 21.9        | 21.6        | 21.7        | 21.8        | 21.8        |
|                 |            | 1             | 105       | 21.8                    | 21.8        | 21.5        | 21.9        | 21.7        | 21.5        |
|                 |            | 50            | 25        | 21.8                    | 21.7        | 21.7        | 21.7        | 21.7        | 21.5        |
|                 |            | 100           | 0         | 21.8                    | 21.8        | 21.7        | 21.6        | 21.6        | 21.5        |
|                 | 256QAM     | 1             | 0         | 19.7                    | 19.9        | 19.4        | 19.7        | 19.6        | 19.6        |
|                 |            | 1             | 1         | 19.4                    | 19.9        | 19.4        | 19.4        | 19.5        | 19.8        |
|                 |            | 1             | 104       | 19.8                    | 19.8        | 19.4        | 19.4        | 19.7        | 19.6        |
|                 |            | 1             | 105       | <b>19.9</b>             | 19.7        | <b>19.9</b> | <b>20.1</b> | 19.5        | 19.8        |
|                 |            | 50            | 25        | 19.8                    | 19.7        | 19.6        | 19.7        | 19.5        | 19.7        |
|                 |            | 100           | 0         | 19.8                    | 19.6        | 19.6        | 19.7        | 19.5        | 19.8        |

**OUTPUT POWER FOR 5G NR n7 (25.0 MHz)**

| Bandwidth (MHz) | Modulation | RB Allocation | RB Offset | Conducted Average (dBm) |             |             |             |             |             |
|-----------------|------------|---------------|-----------|-------------------------|-------------|-------------|-------------|-------------|-------------|
|                 |            |               |           | ANT 2                   |             |             | ANT 0       |             |             |
|                 |            |               |           | 502500                  | 507000      | 511500      | 502500      | 507000      | 511500      |
| 25.0            | BPSK       | 1             | 0         | 23.9                    | 23.8        | 23.7        | 23.9        | 23.9        | 23.8        |
|                 |            | 1             | 1         | 24.3                    | 24.2        | 24.2        | <b>24.5</b> | 24.4        | 24.4        |
|                 |            | 1             | 131       | 24.3                    | 24.3        | <b>24.4</b> | 24.4        | 24.4        | 24.4        |
|                 |            | 1             | 132       | 23.7                    | 23.7        | 23.9        | 23.9        | 23.9        | 23.9        |
|                 |            | 64            | 32        | 24.3                    | 24.2        | <b>24.4</b> | 24.4        | 24.3        | 24.4        |
|                 |            | 128           | 0         | 23.8                    | 23.7        | 23.8        | 24.0        | 23.9        | 23.8        |
|                 | QPSK       | 1             | 0         | 23.3                    | 23.2        | 23.3        | 23.5        | 23.3        | 23.4        |
|                 |            | 1             | 1         | <b>24.4</b>             | 24.2        | 24.2        | <b>24.5</b> | 24.3        | 24.3        |
|                 |            | 1             | 131       | 24.4                    | 24.2        | 24.4        | 24.4        | 24.4        | 24.4        |
|                 |            | 1             | 132       | 23.3                    | 23.3        | 23.3        | 23.4        | 23.4        | 23.4        |
|                 |            | 64            | 32        | 24.3                    | 24.2        | 24.3        | 24.4        | 24.3        | 24.4        |
|                 |            | 128           | 0         | 23.2                    | 23.3        | 23.2        | 23.4        | 23.3        | 23.4        |
|                 | 16QAM      | 1             | 0         | 22.6                    | 21.9        | 22.2        | 22.4        | 22.3        | 22.3        |
|                 |            | 1             | 1         | 23.4                    | <b>23.4</b> | 23.3        | 23.7        | 23.3        | 23.6        |
|                 |            | 1             | 131       | 23.3                    | 23.0        | 23.4        | 23.4        | <b>23.8</b> | 23.3        |
|                 |            | 1             | 132       | 22.6                    | 22.3        | 22.3        | 22.5        | 22.2        | 22.6        |
|                 |            | 64            | 32        | 23.4                    | 23.2        | 23.3        | 23.4        | 23.3        | 23.4        |
|                 |            | 128           | 0         | 22.2                    | 22.3        | 22.3        | 22.4        | 22.3        | 22.4        |
|                 | 64QAM      | 1             | 0         | 21.3                    | 21.6        | 21.7        | 22.1        | 22.0        | 21.9        |
|                 |            | 1             | 1         | 21.8                    | 21.4        | 21.6        | 22.0        | 21.7        | 21.7        |
|                 |            | 1             | 131       | 21.9                    | 21.7        | 21.8        | 21.9        | 21.8        | 21.7        |
|                 |            | 1             | 132       | <b>22.0</b>             | 21.9        | 21.9        | 21.7        | 21.7        | <b>22.2</b> |
|                 |            | 64            | 32        | 21.7                    | 21.7        | 21.7        | 21.8        | 21.9        | 21.8        |
|                 |            | 128           | 0         | 21.8                    | 21.8        | 21.7        | 21.9        | 21.8        | 21.8        |
|                 | 256QAM     | 1             | 0         | 19.9                    | 19.5        | 19.8        | 20.0        | 19.9        | 19.9        |
|                 |            | 1             | 1         | 19.8                    | 19.4        | 19.8        | 20.0        | 19.7        | 19.8        |
|                 |            | 1             | 131       | 19.8                    | 19.5        | 20.0        | 19.7        | 19.9        | 19.8        |
|                 |            | 1             | 132       | 19.4                    | <b>20.0</b> | 19.4        | 19.8        | 19.7        | <b>20.2</b> |
|                 |            | 64            | 32        | 19.7                    | 19.7        | 19.7        | 19.7        | 19.9        | 19.7        |
|                 |            | 128           | 0         | 19.7                    | 19.7        | 19.6        | 19.9        | 19.8        | 19.8        |

**OUTPUT POWER FOR 5G NR n7 (30.0 MHz)**

| Bandwidth (MHz) | Modulation | RB Allocation | RB Offset | Conducted Average (dBm) |             |        |             |             |        |
|-----------------|------------|---------------|-----------|-------------------------|-------------|--------|-------------|-------------|--------|
|                 |            |               |           | ANT 2                   |             |        | ANT 0       |             |        |
|                 |            |               |           | 503000                  | 507000      | 511000 | 503000      | 507000      | 511000 |
| 30.0            | BPSK       | 1             | 0         | 23.9                    | 23.6        | 23.7   | 23.5        | 23.3        | 23.3   |
|                 |            | 1             | 1         | <b>24.4</b>             | 24.2        | 24.3   | <b>24.6</b> | 24.3        | 24.4   |
|                 |            | 1             | 158       | 24.3                    | 24.3        | 24.4   | 24.4        | 24.4        | 24.3   |
|                 |            | 1             | 159       | 23.9                    | 23.8        | 23.7   | 23.3        | 23.4        | 23.4   |
|                 |            | 80            | 40        | 24.3                    | 24.2        | 24.3   | 24.4        | 24.3        | 24.4   |
|                 |            | 160           | 0         | 23.8                    | 23.8        | 23.8   | 23.4        | 23.4        | 23.3   |
|                 | QPSK       | 1             | 0         | 23.4                    | 23.2        | 23.2   | 24.0        | 23.7        | 23.9   |
|                 |            | 1             | 1         | 24.4                    | 24.3        | 24.2   | <b>24.5</b> | 24.3        | 24.4   |
|                 |            | 1             | 158       | <b>24.4</b>             | 24.3        | 24.2   | 24.4        | 24.4        | 24.4   |
|                 |            | 1             | 159       | 23.2                    | 23.2        | 23.2   | 24.0        | 23.8        | 23.9   |
|                 |            | 80            | 40        | 24.3                    | 24.2        | 24.4   | 24.4        | 24.4        | 24.4   |
|                 |            | 160           | 0         | 23.3                    | 23.2        | 23.2   | 23.9        | 23.8        | 23.8   |
|                 | 16QAM      | 1             | 0         | 22.4                    | 21.9        | 22.2   | 22.5        | 22.1        | 22.1   |
|                 |            | 1             | 1         | 23.1                    | <b>23.5</b> | 23.3   | <b>23.6</b> | 23.0        | 23.0   |
|                 |            | 1             | 158       | 23.3                    | 23.2        | 23.4   | 23.2        | 23.1        | 23.5   |
|                 |            | 1             | 159       | 22.3                    | 22.2        | 22.2   | 22.5        | 22.2        | 22.4   |
|                 |            | 80            | 40        | 23.4                    | 23.2        | 23.3   | 23.4        | 23.4        | 23.4   |
|                 |            | 160           | 0         | 22.2                    | 22.1        | 22.2   | 22.4        | 22.4        | 22.3   |
|                 | 64QAM      | 1             | 0         | <b>22.0</b>             | 21.8        | 21.5   | 21.6        | 21.7        | 21.6   |
|                 |            | 1             | 1         | 21.7                    | 21.7        | 21.5   | 21.7        | 22.0        | 21.7   |
|                 |            | 1             | 158       | 21.8                    | 21.9        | 21.7   | 21.5        | 22.1        | 21.4   |
|                 |            | 1             | 159       | 21.7                    | 21.6        | 22.0   | 21.9        | <b>22.2</b> | 21.7   |
|                 |            | 80            | 40        | 21.8                    | 21.7        | 21.7   | 21.8        | 21.8        | 21.8   |
|                 |            | 160           | 0         | 21.8                    | 21.7        | 21.8   | 21.9        | 21.8        | 21.8   |
|                 | 256QAM     | 1             | 0         | 19.6                    | 19.7        | 19.4   | 19.5        | 19.6        | 19.6   |
|                 |            | 1             | 1         | 19.6                    | <b>20.0</b> | 19.2   | 19.6        | 19.8        | 19.6   |
|                 |            | 1             | 158       | 19.4                    | 19.5        | 19.7   | 19.3        | 19.9        | 19.6   |
|                 |            | 1             | 159       | 19.8                    | 19.8        | 19.2   | 19.7        | 19.9        | 19.2   |
|                 |            | 80            | 40        | 19.8                    | 19.7        | 19.7   | 19.9        | 19.8        | 19.7   |
|                 |            | 160           | 0         | 19.7                    | 19.7        | 19.7   | <b>19.9</b> | 19.8        | 19.8   |

**OUTPUT POWER FOR 5G NR n7 (40.0 MHz)**

| Bandwidth (MHz) | Modulation | RB Allocation | RB Offset | Conducted Average (dBm) |             |             |             |             |             |
|-----------------|------------|---------------|-----------|-------------------------|-------------|-------------|-------------|-------------|-------------|
|                 |            |               |           | ANT 2                   |             |             | ANT 0       |             |             |
|                 |            |               |           | 504000                  | 507000      | 510000      | 504000      | 507000      | 510000      |
| 40.0            | BPSK       | 1             | 0         | 23.8                    | 23.9        | 23.8        | 23.9        | 23.9        | 23.9        |
|                 |            | 1             | 1         | 24.4                    | <b>24.4</b> | 24.3        | <b>24.5</b> | 24.4        | 24.3        |
|                 |            | 1             | 214       | 24.3                    | 24.3        | 24.3        | 24.4        | 24.4        | 24.3        |
|                 |            | 1             | 215       | 23.8                    | 23.9        | 23.9        | 23.9        | 23.9        | 23.9        |
|                 |            | 108           | 54        | 24.2                    | 24.2        | 24.3        | 24.4        | 24.4        | 24.4        |
|                 |            | 216           | 0         | 23.8                    | 23.8        | 23.8        | 23.9        | 23.8        | 23.8        |
|                 | QPSK       | 1             | 0         | 23.3                    | 23.3        | 23.2        | 23.4        | 23.5        | 23.3        |
|                 |            | 1             | 1         | 24.3                    | 24.3        | 24.4        | 24.5        | 24.5        | 24.4        |
|                 |            | 1             | 214       | 24.3                    | 24.4        | <b>24.4</b> | 24.3        | <b>24.5</b> | 24.4        |
|                 |            | 1             | 215       | 23.3                    | 23.4        | 23.3        | 23.3        | 23.4        | 23.3        |
|                 |            | 108           | 54        | 24.2                    | 24.3        | 24.3        | 24.4        | 24.5        | 24.4        |
|                 |            | 216           | 0         | 23.2                    | 23.3        | 23.3        | 23.3        | 23.3        | 23.3        |
|                 | 16QAM      | 1             | 0         | 22.0                    | 22.3        | 22.1        | 22.0        | 22.5        | 22.5        |
|                 |            | 1             | 1         | 23.0                    | <b>23.6</b> | 23.3        | 23.2        | 23.2        | 23.3        |
|                 |            | 1             | 214       | 23.1                    | 23.5        | 23.4        | 22.9        | 23.1        | 23.2        |
|                 |            | 1             | 215       | 22.1                    | 22.4        | 22.0        | 22.4        | 22.2        | 22.4        |
|                 |            | 108           | 54        | 23.2                    | 23.2        | 23.3        | 23.4        | 23.4        | <b>23.4</b> |
|                 |            | 216           | 0         | 22.2                    | 22.2        | 22.3        | 22.3        | 22.3        | 22.3        |
|                 | 64QAM      | 1             | 0         | 22.1                    | 22.1        | 21.8        | 21.9        | 22.0        | 22.0        |
|                 |            | 1             | 1         | <b>22.1</b>             | 21.7        | 21.5        | 22.2        | 21.5        | 21.7        |
|                 |            | 1             | 214       | 21.7                    | 21.9        | 21.7        | 21.7        | 21.7        | 21.8        |
|                 |            | 1             | 215       | 21.7                    | 21.5        | 22.0        | 21.8        | <b>22.2</b> | 21.4        |
|                 |            | 108           | 54        | 21.8                    | 21.7        | 21.7        | 21.8        | 21.7        | 21.9        |
|                 |            | 216           | 0         | 21.7                    | 21.7        | 21.8        | 21.7        | 21.9        | 21.8        |
|                 | 256QAM     | 1             | 0         | 19.6                    | <b>19.9</b> | 19.5        | 19.4        | 20.1        | 19.7        |
|                 |            | 1             | 1         | 19.7                    | 19.9        | 19.7        | 19.4        | 19.9        | <b>20.2</b> |
|                 |            | 1             | 214       | 19.7                    | 19.8        | 19.7        | 19.5        | 19.4        | 19.7        |
|                 |            | 1             | 215       | 19.7                    | 19.8        | 19.5        | 19.8        | 19.8        | 19.5        |
|                 |            | 108           | 54        | 19.7                    | 19.8        | 19.7        | 19.8        | 19.8        | 19.9        |
|                 |            | 216           | 0         | 19.7                    | 19.7        | 19.8        | 19.7        | 19.8        | 19.8        |

**OUTPUT POWER FOR 5G NR n7 (50.0 MHz)**

| Bandwidth (MHz) | Modulation | RB Allocation | RB Offset | Conducted Average (dBm) |             |             |             |             |             |
|-----------------|------------|---------------|-----------|-------------------------|-------------|-------------|-------------|-------------|-------------|
|                 |            |               |           | ANT 2                   |             |             | ANT 0       |             |             |
|                 |            |               |           | 505000                  | 507000      | 509000      | 505000      | 507000      | 509000      |
| 50.0            | BPSK       | 1             | 0         | 24.3                    | 24.4        | 24.3        | 23.3        | 23.4        | 23.4        |
|                 |            | 1             | 1         | 24.8                    | 24.8        | <b>24.9</b> | 23.9        | 23.9        | 23.9        |
|                 |            | 1             | 268       | 24.7                    | 24.7        | 24.6        | 23.9        | 23.8        | 23.6        |
|                 |            | 1             | 269       | 24.1                    | 24.2        | 24.0        | 23.4        | 23.3        | 23.1        |
|                 |            | 135           | 67        | 24.8                    | 24.6        | 24.7        | 23.9        | 23.8        | <b>24.0</b> |
|                 |            | 270           | 0         | 24.2                    | 24.2        | 24.3        | 23.3        | 23.3        | 23.4        |
|                 | QPSK       | 1             | 0         | 23.8                    | 23.7        | 23.8        | 22.9        | 22.9        | 23.0        |
|                 |            | 1             | 1         | 24.8                    | 24.7        | <b>24.8</b> | 23.8        | 23.8        | <b>24.0</b> |
|                 |            | 1             | 268       | 24.7                    | 24.6        | 24.6        | 23.9        | 23.7        | 23.7        |
|                 |            | 1             | 269       | 23.7                    | 23.6        | 23.5        | 23.0        | 22.7        | 22.7        |
|                 |            | 135           | 67        | 24.7                    | 24.7        | 24.8        | 23.9        | 23.9        | 23.9        |
|                 |            | 270           | 0         | 23.7                    | 23.7        | 23.7        | 22.8        | 22.8        | 22.9        |
|                 | 16QAM      | 1             | 0         | 22.6                    | 22.6        | 22.7        | 22.1        | 22.0        | 21.8        |
|                 |            | 1             | 1         | 23.6                    | 23.7        | 23.7        | 22.9        | 22.9        | <b>23.0</b> |
|                 |            | 1             | 268       | 23.6                    | 23.4        | <b>23.8</b> | 22.8        | 22.9        | 22.8        |
|                 |            | 1             | 269       | 22.6                    | 22.4        | 22.8        | 22.0        | 21.7        | 21.9        |
|                 |            | 135           | 67        | 23.7                    | 23.6        | 23.8        | 22.8        | 22.9        | 22.8        |
|                 |            | 270           | 0         | 22.6                    | 22.7        | 22.7        | 21.9        | 21.7        | 21.7        |
|                 | 64QAM      | 1             | 0         | 22.3                    | 22.4        | 22.1        | 21.4        | 21.2        | 21.4        |
|                 |            | 1             | 1         | 22.2                    | 22.3        | <b>22.5</b> | 21.5        | 21.5        | <b>21.7</b> |
|                 |            | 1             | 268       | 21.9                    | 21.9        | 22.0        | 21.4        | 21.4        | 20.7        |
|                 |            | 1             | 269       | 22.4                    | 22.2        | 21.5        | <b>21.7</b> | 21.3        | 21.0        |
|                 |            | 135           | 67        | 22.2                    | 22.1        | 22.2        | 21.3        | 21.4        | 21.3        |
|                 |            | 270           | 0         | 22.1                    | 22.2        | 22.2        | 21.4        | 21.3        | 21.4        |
|                 | 256QAM     | 1             | 0         | 20.3                    | <b>20.5</b> | 20.1        | 19.4        | 19.0        | 19.3        |
|                 |            | 1             | 1         | 20.5                    | 20.3        | 20.2        | 19.2        | <b>19.6</b> | 19.3        |
|                 |            | 1             | 268       | 20.2                    | 19.9        | 20.3        | 19.3        | 19.1        | 19.3        |
|                 |            | 1             | 269       | 20.1                    | 19.8        | 19.9        | 19.3        | 19.0        | 19.2        |
|                 |            | 135           | 67        | 20.1                    | 20.1        | 20.1        | 19.4        | 19.3        | 19.2        |
|                 |            | 270           | 0         | 20.1                    | 20.1        | 20.1        | 19.3        | 19.3        | 19.3        |

### 8.3. LTE BAND 12 AND 5G NR n12

#### LTE BAND 12

|                          |                                 |                   |                          |
|--------------------------|---------------------------------|-------------------|--------------------------|
| <b>Test Engineer ID:</b> | 52300CK, 39005RA<br>and 50813CM | <b>Test Date:</b> | 2024-02-20 to 2024-03-22 |
|--------------------------|---------------------------------|-------------------|--------------------------|

#### OUTPUT POWER FOR LTE BAND 12 (1.4 MHz)

| Bandwidth (MHz) | Modulation | RB Allocation | RB Offset   | Conducted Average (dBm) |             |             |             |             |             |             |
|-----------------|------------|---------------|-------------|-------------------------|-------------|-------------|-------------|-------------|-------------|-------------|
|                 |            |               |             | ANT 0                   |             |             | ANT 1       |             |             |             |
|                 |            |               |             | 23017                   | 23095       | 23173       | 23017       | 23095       | 23173       |             |
| 1.4             | QPSK       | 1             | 0           | 24.8                    | 24.7        | 24.8        | 24.3        | 24.4        | 24.4        |             |
|                 |            | 1             | 3           | 24.6                    | 24.6        | 24.8        | 24.1        | <b>24.4</b> | 24.2        |             |
|                 |            | 1             | 5           | 24.8                    | 24.8        | <b>24.9</b> | 24.3        | 24.4        | 24.4        |             |
|                 |            | 3             | 0           | 24.7                    | 24.8        | 24.8        | 24.3        | 24.4        | 24.3        |             |
|                 |            | 3             | 1           | 24.7                    | 24.7        | 24.7        | 24.2        | 24.3        | 24.4        |             |
|                 |            | 3             | 3           | 24.6                    | 24.7        | 24.7        | 24.2        | 24.3        | 24.3        |             |
|                 | 16QAM      | 6             | 0           | 23.7                    | 23.8        | 23.8        | 23.3        | 23.4        | 23.4        |             |
|                 |            | 1             | 0           | 23.8                    | 23.8        | 23.9        | 23.4        | 23.5        | <b>23.7</b> |             |
|                 |            | 1             | 3           | <b>24.0</b>             | 23.8        | <b>24.0</b> | 23.5        | 23.4        | <b>23.7</b> |             |
|                 |            | 1             | 5           | 23.8                    | 23.8        | 23.9        | 23.4        | 23.5        | 23.7        |             |
|                 |            | 3             | 0           | 23.9                    | 23.9        | 23.8        | 23.5        | 23.4        | 23.4        |             |
|                 |            | 3             | 1           | 23.8                    | 23.8        | 23.7        | 23.4        | 23.3        | 23.4        |             |
|                 | 64QAM      | 3             | 3           | 23.8                    | 23.8        | 23.6        | 23.3        | 23.3        | 23.4        |             |
|                 |            | 6             | 0           | 22.8                    | 22.8        | 22.9        | 22.4        | 22.4        | 22.4        |             |
|                 |            | 1             | 0           | 22.6                    | 22.7        | <b>22.9</b> | 22.5        | 22.5        | 22.5        |             |
|                 |            | 1             | 3           | <b>22.9</b>             | <b>22.9</b> | 22.8        | <b>22.6</b> | 22.4        | 22.6        |             |
|                 |            | 1             | 5           | 22.8                    | 22.8        | <b>22.9</b> | 22.5        | 22.4        | 22.5        |             |
|                 |            | 3             | 0           | 22.6                    | 22.7        | 22.8        | 22.3        | 22.2        | 22.3        |             |
|                 | 256QAM     | 3             | 1           | 22.6                    | 22.6        | 22.8        | 22.3        | 22.2        | 22.2        |             |
|                 |            | 6             | 0           | 20.7                    | 20.7        | 20.8        | 20.3        | 20.4        | 20.3        |             |
|                 |            | 1             | 0           | 19.3                    | 19.3        | 19.2        | 18.8        | 18.8        | 18.9        |             |
|                 |            | 1             | 3           | 19.3                    | <b>19.5</b> | 19.3        | 18.9        | 18.9        | 18.9        |             |
|                 |            | 1             | 5           | 19.3                    | 19.4        | 19.3        | 18.8        | 18.8        | 18.9        |             |
|                 |            | 3             | 0           | 19.3                    | 19.2        | 19.3        | 18.9        | 18.8        | <b>19.0</b> |             |
|                 | 3.0        | QPSK          | 3           | 1                       | 19.2        | 19.1        | 19.2        | 18.8        | 18.8        | 18.9        |
|                 |            |               | 3           | 3                       | 19.2        | 19.1        | 19.2        | 18.8        | 18.8        | 18.9        |
|                 |            |               | 6           | 0                       | 19.1        | 19.2        | 19.2        | 18.8        | 18.8        | 18.7        |
|                 |            |               | 1           | 0                       | 24.7        | 24.8        | <b>24.9</b> | 24.4        | 24.4        | <b>24.5</b> |
|                 |            |               | 1           | 8                       | 24.7        | 24.8        | <b>24.9</b> | 24.2        | 24.3        | 24.5        |
|                 |            |               | 1           | 14                      | 24.8        | <b>24.9</b> | <b>24.9</b> | 24.4        | 24.3        | 24.5        |
|                 | 16QAM      | 8             | 0           | 23.8                    | 23.9        | 23.9        | 23.4        | 23.4        | 23.4        |             |
|                 |            | 8             | 4           | 23.7                    | 23.8        | 23.8        | 23.4        | 23.4        | 23.4        |             |
|                 |            | 8             | 7           | 23.7                    | 23.8        | 23.9        | 23.4        | 23.4        | 23.4        |             |
|                 |            | 15            | 0           | 23.7                    | 23.8        | 23.8        | 23.4        | 23.4        | 23.4        |             |
|                 |            | 1             | 0           | 23.9                    | <b>24.0</b> | <b>24.0</b> | 23.5        | 23.7        | <b>23.8</b> |             |
|                 |            | 1             | 8           | 23.9                    | 23.9        | 23.9        | 23.5        | 23.6        | 23.8        |             |
| 64QAM           | 1          | 14            | <b>24.0</b> | 23.9                    | <b>24.0</b> | 23.4        | 23.7        | 23.6        |             |             |
|                 | 8          | 0             | 22.8        | 22.8                    | 22.8        | 22.4        | 22.5        | 22.5        |             |             |
|                 | 8          | 4             | 22.7        | 22.8                    | 22.9        | 22.4        | 22.4        | 22.4        |             |             |
|                 | 8          | 7             | 22.7        | 22.8                    | 22.8        | 22.4        | 22.4        | 22.4        |             |             |
|                 | 15         | 0             | 22.7        | 22.8                    | 22.8        | 22.3        | 22.3        | 22.4        |             |             |
|                 | 1          | 0             | <b>23.0</b> | 22.9                    | 22.9        | 22.5        | <b>22.5</b> | 22.4        |             |             |
| 256QAM          | 1          | 8             | 22.9        | 22.6                    | 22.9        | 22.4        | 22.4        | 22.3        |             |             |
|                 | 1          | 14            | <b>23.0</b> | 22.7                    | 22.9        | 22.4        | <b>22.5</b> | 22.4        |             |             |
|                 | 8          | 0             | 20.8        | 20.7                    | 20.8        | 20.4        | 20.4        | 20.4        |             |             |
|                 | 8          | 4             | 20.8        | 20.6                    | 20.8        | 20.3        | 20.3        | 20.4        |             |             |
|                 | 8          | 7             | 20.8        | 20.7                    | 20.8        | 20.3        | 20.3        | 20.4        |             |             |
|                 | 15         | 0             | 20.7        | 20.8                    | 20.7        | 20.3        | 20.2        | 20.3        |             |             |

#### OUTPUT POWER FOR LTE BAND 12 (3.0 MHz)

| Bandwidth (MHz) | Modulation | RB Allocation | RB Offset | Conducted Average (dBm) |             |             |       |             |             |      |
|-----------------|------------|---------------|-----------|-------------------------|-------------|-------------|-------|-------------|-------------|------|
|                 |            |               |           | ANT 0                   |             |             | ANT 1 |             |             |      |
|                 |            |               |           | 23025                   | 23095       | 23165       | 23017 | 23095       | 23173       |      |
| 3.0             | QPSK       | 700.5         | 707.5     | 714.5                   | 699.7       | 707.5       | 715.3 |             |             |      |
|                 |            | 1             | 0         | 24.7                    | 24.8        | <b>24.9</b> | 24.4  | 24.4        | <b>24.5</b> |      |
|                 |            | 1             | 8         | 24.7                    | 24.8        | <b>24.9</b> | 24.2  | 24.3        | 24.5        |      |
|                 |            | 1             | 14        | 24.8                    | <b>24.9</b> | <b>24.9</b> | 24.4  | 24.3        | 24.5        |      |
|                 |            | 8             | 0         | 23.8                    | 23.9        | 23.9        | 23.4  | 23.4        | 23.4        |      |
|                 |            | 8             | 4         | 23.7                    | 23.8        | 23.8        | 23.4  | 23.4        | 23.4        |      |
|                 | 16QAM      | 8             | 7         | 23.7                    | 23.8        | 23.9        | 23.4  | 23.4        | 23.4        |      |
|                 |            | 15            | 0         | 23.7                    | 23.8        | 23.8        | 23.4  | 23.4        | 23.4        |      |
|                 |            | 1             | 0         | 23.9                    | <b>24.0</b> | <b>24.0</b> | 23.5  | 23.7        | <b>23.8</b> |      |
|                 |            | 1             | 8         | 23.9                    | 23.9        | 23.9        | 23.5  | 23.6        | 23.8        |      |
|                 |            | 1             | 14        | <b>24.0</b>             | 23.9        | <b>24.0</b> | 23.4  | 23.7        | 23.6        |      |
|                 |            | 8             | 0         | 22.8                    | 22.8        | 22.8        | 22.4  | 22.5        | 22.5        |      |
|                 | 64QAM      | 8             | 4         | 22.7                    | 22.8        | 22.9        | 22.4  | 22.4        | 22.4        |      |
|                 |            | 8             | 7         | 22.7                    | 22.8        | 22.8        | 22.4  | 22.4        | 22.4        |      |
|                 |            | 15            | 0         | 22.7                    | 22.8        | 22.8        | 22.3  | 22.3        | 22.4        |      |
|                 |            | 1             | 0         | <b>23.0</b>             | 22.9        | 22.9        | 22.5  | <b>22.5</b> | 22.4        |      |
|                 |            | 1             | 8         | 22.9                    | 22.6        | 22.9        | 22.4  | 22.4        | 22.3        |      |
|                 |            | 1             | 14        | <b>23.0</b>             | 22.7        | 22.9        | 22.4  | <b>22.5</b> | 22.4        |      |
|                 | 256QAM     | 8             | 0         | 20.8                    | 20.7        | 20.8        | 20.4  | 20.4        | 20.4        |      |
|                 |            | 8             | 4         | 20.8                    | 20.6        | 20.8        | 20.3  | 20.3        | 20.4        |      |
|                 |            | 8             | 7         | 20.8                    | 20.7        | 20.8        | 20.3  | 20.3        | 20.4        |      |
|                 |            | 15            | 0         | 20.7                    | 20.8        | 20.7        | 20.3  | 20.2        | 20.3        |      |
|                 |            | 1             | 0         | 19.4                    | 19.5        | <b>19.7</b> | 18.8  | <b>19.0</b> | 18.9        |      |
|                 |            | 1             | 8         | 19.5                    | 19.6        | 19.5        | 18.8  | 18.8        | 18.8        |      |
|                 | 3.0        | QPSK          | 1         | 14                      | <b>19.7</b> | <b>19.7</b> | 19.6  | 18.9        | 18.9        | 18.9 |
|                 |            |               | 8         | 0                       | 19.4        | 19.4        | 19.3  | 18.8        | 18.8        | 18.9 |
|                 |            |               | 8         | 4                       | 19.3        | 19.4        | 19.3  | 18.8        | 18.8        | 18.8 |
|                 |            |               | 8         | 7                       | 19.3        | 19.4        | 19.3  | 18.7        | 18.8        | 18.9 |
|                 |            |               | 15        | 0                       | 19.3        | 19.3        | 19.3  | 18.8        | 18.8        | 18.8 |

**OUTPUT POWER FOR LTE BAND 12 (5.0 MHz)**

| Bandwidth (MHz) | Modulation | RB Allocation | RB Offset | Conducted Average (dBm) |             |             |             |       |             |
|-----------------|------------|---------------|-----------|-------------------------|-------------|-------------|-------------|-------|-------------|
|                 |            |               |           | ANT 0                   |             |             | ANT 1       |       |             |
|                 |            |               |           | 23035                   | 23095       | 23155       | 23035       | 23095 | 23155       |
| 5.0             | QPSK       | 1             | 0         | 24.7                    | 24.7        | <b>24.8</b> | 24.4        | 24.4  | <b>24.4</b> |
|                 |            | 1             | 12        | 24.7                    | <b>24.8</b> | <b>24.8</b> | 24.2        | 24.4  | 24.4        |
|                 |            | 1             | 24        | 24.7                    | <b>24.8</b> | <b>24.8</b> | 24.3        | 24.4  | 24.4        |
|                 |            | 12            | 0         | 23.7                    | 23.8        | 23.8        | 23.4        | 23.4  | 23.4        |
|                 |            | 12            | 7         | 23.7                    | 23.8        | 23.8        | 23.4        | 23.4  | 23.4        |
|                 |            | 12            | 13        | 23.7                    | 23.8        | 23.8        | 23.3        | 23.4  | 23.4        |
|                 |            | 25            | 0         | 23.7                    | 23.8        | 23.8        | 23.4        | 23.4  | 23.4        |
|                 | 16QAM      | 1             | 0         | 23.9                    | 23.8        | 23.9        | <b>23.8</b> | 23.8  | 23.8        |
|                 |            | 1             | 12        | 23.9                    | 23.8        | <b>24.0</b> | 23.7        | 23.7  | 23.7        |
|                 |            | 1             | 24        | 23.9                    | 23.7        | 23.9        | 23.8        | 23.7  | 23.6        |
|                 |            | 12            | 0         | 22.7                    | 22.8        | 22.8        | 22.4        | 22.4  | 22.5        |
|                 |            | 12            | 7         | 22.7                    | 22.8        | 22.8        | 22.4        | 22.4  | 22.5        |
|                 |            | 12            | 13        | 22.8                    | 22.7        | 22.8        | 22.3        | 22.4  | 22.4        |
|                 |            | 25            | 0         | 22.7                    | 22.8        | 22.8        | 22.4        | 22.4  | 22.4        |
|                 | 64QAM      | 1             | 0         | 22.8                    | 22.8        | 22.8        | 22.5        | 22.3  | <b>22.7</b> |
|                 |            | 1             | 12        | 22.8                    | 22.8        | 22.8        | 22.5        | 22.2  | 22.6        |
|                 |            | 1             | 24        | <b>22.9</b>             | <b>22.9</b> | <b>22.9</b> | 22.5        | 22.2  | 22.6        |
|                 |            | 12            | 0         | 20.7                    | 20.8        | 20.8        | 20.3        | 20.3  | 20.3        |
|                 |            | 12            | 7         | 20.6                    | 20.7        | 20.8        | 20.3        | 20.2  | 20.3        |
|                 |            | 12            | 13        | 20.6                    | 20.7        | 20.8        | 20.3        | 20.2  | 20.3        |
|                 |            | 25            | 0         | 20.7                    | 20.7        | 20.7        | 20.3        | 20.3  | 20.3        |
|                 | 256QAM     | 1             | 0         | 19.2                    | <b>19.4</b> | 19.3        | 18.9        | 19.0  | <b>19.1</b> |
|                 |            | 1             | 12        | 19.0                    | 19.1        | 19.3        | 18.9        | 18.7  | 19.0        |
|                 |            | 1             | 24        | 19.2                    | <b>19.4</b> | 19.3        | 18.9        | 18.9  | 19.0        |
|                 |            | 12            | 0         | 19.2                    | 19.2        | 19.3        | 18.8        | 18.8  | 18.9        |
| 12              |            | 7             | 19.2      | 19.2                    | 19.3        | 18.8        | 18.8        | 18.9  |             |
| 12              |            | 13            | 19.2      | 19.2                    | 19.3        | 18.8        | 18.7        | 18.8  |             |
| 25              |            | 0             | 19.3      | 19.3                    | 19.3        | 18.9        | 18.8        | 18.8  |             |

**OUTPUT POWER FOR LTE BAND 12 (10.0 MHz)**

| Bandwidth (MHz) | Modulation | RB Allocation | RB Offset | Conducted Average (dBm) |             |             |             |       |             |
|-----------------|------------|---------------|-----------|-------------------------|-------------|-------------|-------------|-------|-------------|
|                 |            |               |           | ANT 0                   |             |             | ANT 1       |       |             |
|                 |            |               |           | 23060                   | 23095       | 23130       | 23060       | 23095 | 23130       |
| 10.0            | QPSK       | 1             | 0         | <b>24.8</b>             | <b>24.8</b> | 24.8        | 24.4        | 24.5  | <b>24.5</b> |
|                 |            | 1             | 25        | 24.8                    | 24.7        | 24.6        | 24.3        | 24.4  | 24.5        |
|                 |            | 1             | 49        | <b>24.8</b>             | <b>24.8</b> | 24.8        | 24.3        | 24.4  | 24.3        |
|                 |            | 25            | 0         | 23.8                    | 23.8        | 23.8        | 23.4        | 23.5  | 23.4        |
|                 |            | 25            | 12        | 23.8                    | 23.8        | 23.8        | 23.4        | 23.4  | 23.4        |
|                 |            | 25            | 25        | 23.8                    | 23.8        | 23.8        | 23.3        | 23.4  | 23.4        |
|                 |            | 50            | 0         | 23.8                    | 23.8        | 23.8        | 23.4        | 23.4  | 23.4        |
|                 | 16QAM      | 1             | 0         | 23.9                    | <b>23.9</b> | 23.9        | <b>23.9</b> | 23.6  | 23.8        |
|                 |            | 1             | 25        | 23.8                    | <b>23.9</b> | 23.8        | 23.9        | 23.5  | 23.8        |
|                 |            | 1             | 49        | 23.6                    | <b>23.9</b> | 23.6        | 23.7        | 23.3  | 23.6        |
|                 |            | 25            | 0         | 22.8                    | 22.8        | 22.8        | 22.5        | 22.4  | 22.4        |
|                 |            | 25            | 12        | 22.7                    | 22.8        | 22.8        | 22.4        | 22.4  | 22.4        |
|                 |            | 25            | 25        | 22.7                    | 22.8        | 22.7        | 22.4        | 22.3  | 22.4        |
|                 |            | 50            | 0         | 22.7                    | 22.8        | 22.8        | 22.4        | 22.4  | 22.4        |
|                 | 64QAM      | 1             | 0         | 22.9                    | <b>23.0</b> | <b>23.0</b> | 22.6        | 22.5  | 22.6        |
|                 |            | 1             | 25        | 22.9                    | <b>23.0</b> | 23.0        | <b>22.6</b> | 22.4  | 22.5        |
|                 |            | 1             | 49        | 22.7                    | 22.9        | 22.8        | 22.5        | 22.4  | 22.4        |
|                 |            | 25            | 0         | 20.7                    | 20.8        | 20.8        | 20.4        | 20.4  | 20.4        |
|                 |            | 25            | 12        | 20.7                    | 20.7        | 20.7        | 20.3        | 20.3  | 20.3        |
|                 |            | 25            | 25        | 20.6                    | 20.7        | 20.7        | 20.3        | 20.3  | 20.3        |
|                 |            | 50            | 0         | 20.6                    | 20.7        | 20.7        | 20.3        | 20.3  | 20.3        |
|                 | 256QAM     | 1             | 0         | 18.3                    | 19.1        | 18.4        | 19.0        | 19.0  | <b>19.0</b> |
|                 |            | 1             | 25        | 18.3                    | 19.1        | 18.3        | 18.8        | 18.9  | 18.9        |
|                 |            | 1             | 49        | 18.2                    | 19.1        | 18.2        | 18.8        | 18.8  | 18.9        |
|                 |            | 25            | 0         | 18.8                    | <b>19.3</b> | 18.8        | 19.0        | 18.9  | 18.9        |
| 25              |            | 12            | 18.8      | <b>19.3</b>             | 18.8        | 18.9        | 18.8        | 18.9  |             |
| 25              |            | 25            | 18.7      | <b>19.3</b>             | 18.7        | 18.8        | 18.8        | 18.8  |             |
| 50              |            | 0             | 18.7      | <b>19.3</b>             | 18.7        | 18.9        | 18.8        | 18.8  |             |

**5G NR n12 16QAM**

|                   |         |            |            |
|-------------------|---------|------------|------------|
| Test Engineer ID: | 27966PV | Test Date: | 2024-02-07 |
|-------------------|---------|------------|------------|

**OUTPUT POWER FOR 5G NR n12 (5.0 MHz)**

| Bandwidth (MHz) | Modulation | RB Allocation | RB Offset | Conducted Average (dBm) |        |        |        |        |        |
|-----------------|------------|---------------|-----------|-------------------------|--------|--------|--------|--------|--------|
|                 |            |               |           | ANT 0                   |        |        | ANT 1  |        |        |
|                 |            |               |           | 140300                  | 141500 | 142700 | 140300 | 141500 | 142700 |
| 5.0             | BPSK       | 1             | 0         | 23.7                    | 23.6   | 23.6   | 23.3   | 23.9   | 23.8   |
|                 |            | 1             | 1         | 24.8                    | 24.6   | 24.7   | 24.1   | 24.8   | 24.8   |
|                 |            | 1             | 23        | 24.7                    | 24.7   | 24.6   | 24.1   | 24.8   | 24.8   |
|                 |            | 1             | 24        | 23.7                    | 23.7   | 23.6   | 23.3   | 23.8   | 23.7   |
|                 |            | 12            | 6         | 24.6                    | 24.6   | 24.7   | 24.1   | 24.8   | 24.8   |
|                 |            | 25            | 0         | 23.7                    | 23.6   | 23.7   | 23.3   | 23.8   | 23.8   |
|                 | QPSK       | 1             | 0         | 23.7                    | 23.6   | 23.6   | 23.3   | 23.8   | 23.7   |
|                 |            | 1             | 1         | 23.2                    | 23.3   | 23.2   | 23.0   | 23.5   | 23.3   |
|                 |            | 1             | 23        | 23.3                    | 23.3   | 23.3   | 22.9   | 23.4   | 23.2   |
|                 |            | 1             | 24        | 23.7                    | 23.7   | 23.6   | 23.2   | 23.9   | 23.7   |
|                 |            | 12            | 6         | 23.2                    | 23.2   | 23.2   | 22.8   | 23.4   | 23.4   |
|                 |            | 25            | 0         | 23.3                    | 23.2   | 23.2   | 22.9   | 23.4   | 23.4   |
|                 | 16QAM      | 1             | 0         | 22.7                    | 22.2   | 22.7   | 22.2   | 22.8   | 22.8   |
|                 |            | 1             | 1         | 23.7                    | 23.8   | 23.5   | 23.7   | 23.6   | 24.0   |
|                 |            | 1             | 23        | 23.6                    | 23.6   | 23.7   | 23.4   | 24.0   | 23.8   |
|                 |            | 1             | 24        | 22.6                    | 22.6   | 22.5   | 22.2   | 22.7   | 22.8   |
|                 |            | 12            | 6         | 23.6                    | 23.7   | 23.5   | 23.2   | 23.8   | 23.9   |
|                 |            | 25            | 0         | 22.7                    | 22.6   | 22.7   | 22.2   | 22.8   | 22.7   |
|                 | 64QAM      | 1             | 0         | 22.1                    | 22.3   | 22.4   | 22.3   | 22.2   | 22.5   |
|                 |            | 1             | 1         | 22.5                    | 22.2   | 22.3   | 21.8   | 22.3   | 22.3   |
|                 |            | 1             | 23        | 22.6                    | 22.0   | 21.8   | 21.8   | 22.6   | 22.3   |
|                 |            | 1             | 24        | 22.3                    | 22.4   | 22.4   | 22.1   | 22.0   | 22.2   |
|                 |            | 12            | 6         | 22.2                    | 22.2   | 22.1   | 21.7   | 22.4   | 22.4   |
|                 |            | 25            | 0         | 22.3                    | 22.2   | 22.1   | 21.7   | 22.2   | 22.3   |
|                 | 256QAM     | 1             | 0         | 18.8                    | 18.3   | 18.8   | 18.3   | 18.8   | 19.0   |
|                 |            | 1             | 1         | 18.9                    | 18.5   | 18.9   | 18.5   | 18.8   | 18.9   |
|                 |            | 1             | 23        | 18.8                    | 19.0   | 18.7   | 18.3   | 18.9   | 18.9   |
|                 |            | 1             | 24        | 18.5                    | 18.8   | 18.9   | 18.3   | 18.9   | 18.8   |
|                 |            | 12            | 6         | 18.7                    | 18.7   | 18.6   | 18.3   | 18.8   | 18.7   |
|                 |            | 25            | 0         | 18.7                    | 18.6   | 18.6   | 18.2   | 18.7   | 18.7   |

**OUTPUT POWER FOR 5G NR n12 (10.0 MHz)**

| Bandwidth (MHz) | Modulation | RB Allocation | RB Offset | Conducted Average (dBm) |        |        |        |        |        |
|-----------------|------------|---------------|-----------|-------------------------|--------|--------|--------|--------|--------|
|                 |            |               |           | ANT 0                   |        |        | ANT 1  |        |        |
|                 |            |               |           | 140800                  | 141500 | 142200 | 140800 | 141500 | 142200 |
| 10.0            | BPSK       | 1             | 0         | 23.7                    | 23.6   | 23.7   | 23.8   | 23.7   | 23.7   |
|                 |            | 1             | 1         | 24.6                    | 24.5   | 24.6   | 24.8   | 24.7   | 24.6   |
|                 |            | 1             | 50        | 24.6                    | 24.7   | 24.7   | 24.8   | 24.7   | 24.6   |
|                 |            | 1             | 51        | 23.6                    | 23.7   | 23.6   | 23.7   | 23.7   | 23.6   |
|                 |            | 25            | 12        | 24.6                    | 24.6   | 24.7   | 24.8   | 24.8   | 24.7   |
|                 |            | 50            | 0         | 23.6                    | 23.6   | 23.7   | 23.8   | 23.8   | 23.8   |
|                 | QPSK       | 1             | 0         | 23.7                    | 23.6   | 23.7   | 23.8   | 23.7   | 23.8   |
|                 |            | 1             | 1         | 23.2                    | 23.3   | 23.3   | 23.3   | 23.3   | 23.3   |
|                 |            | 1             | 50        | 23.3                    | 23.2   | 23.4   | 23.5   | 23.4   | 23.4   |
|                 |            | 1             | 51        | 23.6                    | 23.7   | 23.7   | 23.8   | 23.7   | 23.7   |
|                 |            | 25            | 12        | 23.2                    | 23.3   | 23.2   | 23.4   | 23.3   | 23.3   |
|                 |            | 50            | 0         | 23.2                    | 23.2   | 23.3   | 23.3   | 23.2   | 23.3   |
|                 | 16QAM      | 1             | 0         | 23.0                    | 22.6   | 22.4   | 22.6   | 22.8   | 22.7   |
|                 |            | 1             | 1         | 23.7                    | 23.5   | 23.4   | 23.8   | 23.3   | 23.4   |
|                 |            | 1             | 50        | 23.6                    | 23.6   | 23.7   | 23.5   | 23.5   | 23.7   |
|                 |            | 1             | 51        | 22.6                    | 22.7   | 22.5   | 22.7   | 22.8   | 22.5   |
|                 |            | 25            | 12        | 23.6                    | 23.6   | 23.7   | 23.8   | 23.7   | 23.7   |
|                 |            | 50            | 0         | 22.7                    | 22.7   | 22.7   | 22.8   | 22.8   | 22.7   |
|                 | 64QAM      | 1             | 0         | 22.4                    | 22.3   | 22.4   | 22.3   | 21.8   | 22.3   |
|                 |            | 1             | 1         | 22.3                    | 21.8   | 22.1   | 22.3   | 22.3   | 22.3   |
|                 |            | 1             | 50        | 22.1                    | 21.8   | 22.2   | 22.3   | 22.4   | 22.4   |
|                 |            | 1             | 51        | 22.0                    | 22.1   | 22.0   | 22.3   | 22.4   | 22.3   |
|                 |            | 25            | 12        | 22.2                    | 22.2   | 22.2   | 22.3   | 22.2   | 22.3   |
|                 |            | 50            | 0         | 22.2                    | 22.1   | 22.3   | 22.3   | 22.3   | 22.2   |
|                 | 256QAM     | 1             | 0         | 18.5                    | 18.4   | 18.4   | 18.7   | 18.7   | 18.8   |
|                 |            | 1             | 1         | 18.9                    | 18.4   | 18.9   | 18.9   | 18.8   | 19.1   |
|                 |            | 1             | 50        | 18.9                    | 18.8   | 18.6   | 18.9   | 18.9   | 18.8   |
|                 |            | 1             | 51        | 18.5                    | 18.7   | 18.8   | 18.8   | 18.8   | 19.2   |
|                 |            | 25            | 12        | 18.7                    | 18.6   | 18.7   | 18.7   | 18.7   | 18.7   |
|                 |            | 50            | 0         | 18.6                    | 18.6   | 18.6   | 18.8   | 18.7   | 18.7   |

**OUTPUT POWER FOR 5G NR n12 (15.0 MHz)**

| Bandwidth (MHz) | Modulation | RB Allocation | RB Offset | Conducted Average (dBm) |        |        |        |        |        |
|-----------------|------------|---------------|-----------|-------------------------|--------|--------|--------|--------|--------|
|                 |            |               |           | ANT 0                   |        |        | ANT 1  |        |        |
|                 |            |               |           | 141300                  | 141500 | 141700 | 141300 | 141500 | 141700 |
| 15.0            | BPSK       | 1             | 0         | 23.6                    | 23.7   | 23.6   | 23.7   | 23.7   | 23.7   |
|                 |            | 1             | 1         | 24.7                    | 24.7   | 24.6   | 24.7   | 24.7   | 24.6   |
|                 |            | 1             | 77        | 24.6                    | 24.6   | 24.5   | 24.7   | 24.6   | 24.6   |
|                 |            | 1             | 78        | 23.6                    | 23.6   | 23.7   | 23.6   | 23.6   | 23.6   |
|                 |            | 36            | 18        | 24.7                    | 24.7   | 24.7   | 24.6   | 24.7   | 24.6   |
|                 |            | 75            | 0         | 23.7                    | 23.6   | 23.7   | 23.8   | 23.8   | 23.7   |
|                 | QPSK       | 1             | 0         | 23.6                    | 23.7   | 23.6   | 23.6   | 23.7   | 23.6   |
|                 |            | 1             | 1         | 23.2                    | 23.2   | 23.2   | 23.2   | 23.3   | 23.2   |
|                 |            | 1             | 77        | 23.2                    | 23.2   | 23.1   | 23.2   | 23.3   | 23.2   |
|                 |            | 1             | 78        | 23.6                    | 23.6   | 23.6   | 23.6   | 23.6   | 23.6   |
|                 |            | 36            | 18        | 23.3                    | 23.2   | 23.2   | 23.3   | 23.2   | 23.2   |
|                 |            | 75            | 0         | 23.3                    | 23.3   | 23.3   | 23.3   | 23.3   | 23.2   |
|                 | 16QAM      | 1             | 0         | 22.8                    | 22.4   | 22.7   | 22.4   | 22.4   | 22.2   |
|                 |            | 1             | 1         | 23.9                    | 23.2   | 23.9   | 23.6   | 23.5   | 23.7   |
|                 |            | 1             | 77        | 23.6                    | 23.6   | 23.7   | 23.8   | 23.5   | 23.8   |
|                 |            | 1             | 78        | 22.9                    | 22.4   | 22.8   | 22.6   | 22.7   | 22.3   |
|                 |            | 36            | 18        | 23.6                    | 23.6   | 23.6   | 23.7   | 23.7   | 23.6   |
|                 |            | 75            | 0         | 22.7                    | 22.6   | 22.6   | 22.6   | 22.6   | 22.7   |
|                 | 64QAM      | 1             | 0         | 22.3                    | 21.9   | 22.1   | 22.2   | 22.0   | 22.2   |
|                 |            | 1             | 1         | 22.0                    | 22.2   | 22.2   | 22.5   | 22.2   | 22.2   |
|                 |            | 1             | 77        | 21.9                    | 22.0   | 22.2   | 21.7   | 22.2   | 21.9   |
|                 |            | 1             | 78        | 21.9                    | 22.0   | 22.1   | 22.0   | 22.1   | 22.2   |
|                 |            | 36            | 18        | 22.2                    | 22.1   | 22.2   | 22.3   | 22.2   | 22.1   |
|                 |            | 75            | 0         | 22.2                    | 22.2   | 22.1   | 22.1   | 22.2   | 22.2   |
|                 | 256QAM     | 1             | 0         | 18.9                    | 18.6   | 18.9   | 18.7   | 18.6   | 18.7   |
|                 |            | 1             | 1         | 18.7                    | 18.5   | 18.3   | 18.8   | 19.0   | 18.9   |
|                 |            | 1             | 77        | 18.7                    | 18.6   | 18.3   | 18.7   | 18.9   | 18.4   |
|                 |            | 1             | 78        | 19.0                    | 19.1   | 18.8   | 18.6   | 18.5   | 18.8   |
|                 |            | 36            | 18        | 18.6                    | 18.7   | 18.7   | 18.7   | 18.7   | 18.7   |
|                 |            | 75            | 0         | 18.7                    | 18.7   | 18.7   | 18.7   | 18.7   | 18.6   |

### 8.4. LTE BAND 13

|                          |                                 |                   |                          |
|--------------------------|---------------------------------|-------------------|--------------------------|
| <b>Test Engineer ID:</b> | 43576TS, 39005RA<br>and 27915TT | <b>Test Date:</b> | 2024-01-24 to 2024-03-22 |
|--------------------------|---------------------------------|-------------------|--------------------------|

#### OUTPUT POWER FOR LTE BAND 13 (5.0 MHz)

| Bandwidth (MHz) | Modulation | RB Allocation | RB Offset | Conducted Average (dBm) |             |             |             |             |             |
|-----------------|------------|---------------|-----------|-------------------------|-------------|-------------|-------------|-------------|-------------|
|                 |            |               |           | ANT 0                   |             |             | ANT 1       |             |             |
|                 |            |               |           | 23205                   | 23230       | 23255       | 23205       | 23230       | 23255       |
| 5.0             | QPSK       | 1             | 0         | 25.0                    | 24.6        | <b>25.0</b> | <b>24.9</b> | 24.6        | 24.7        |
|                 |            | 1             | 12        | 24.9                    | 24.6        | <b>25.0</b> | 24.8        | 24.6        | 24.7        |
|                 |            | 1             | 24        | 24.9                    | 24.5        | <b>25.0</b> | 24.7        | 24.6        | 24.7        |
|                 |            | 12            | 0         | 24.0                    | 23.6        | 24.0        | 23.8        | 23.7        | 23.8        |
|                 |            | 12            | 6         | 24.0                    | 23.6        | 24.0        | 23.7        | 23.6        | 23.8        |
|                 |            | 12            | 11        | 24.0                    | 23.6        | 24.0        | 23.7        | 23.6        | 23.7        |
|                 |            | 25            | 0         | 24.0                    | 23.6        | 24.0        | 23.7        | 23.6        | 23.8        |
|                 | 16QAM      | 1             | 0         | <b>24.0</b>             | <b>24.0</b> | <b>24.0</b> | <b>24.0</b> | 23.9        | 23.9        |
|                 |            | 1             | 12        | <b>24.0</b>             | 23.9        | 24.0        | 23.9        | 23.9        | 23.8        |
|                 |            | 1             | 24        | 24.0                    | <b>24.0</b> | 24.0        | 23.8        | 24.0        | 23.8        |
|                 |            | 12            | 0         | 23.0                    | 22.6        | 23.0        | 22.7        | 22.6        | 22.7        |
|                 |            | 12            | 6         | 23.0                    | 22.6        | 23.0        | 22.7        | 22.6        | 22.7        |
|                 |            | 12            | 11        | 22.9                    | 22.6        | 23.0        | 22.7        | 22.6        | 22.7        |
|                 |            | 25            | 0         | 23.0                    | 22.6        | 23.0        | 22.8        | 22.6        | 22.7        |
|                 | 64QAM      | 1             | 0         | <b>23.0</b>             | 22.7        | <b>23.0</b> | 23.0        | 22.4        | 22.9        |
|                 |            | 1             | 12        | <b>23.0</b>             | 22.5        | <b>23.0</b> | 22.9        | 22.3        | 22.9        |
|                 |            | 1             | 24        | <b>23.0</b>             | 22.8        | <b>23.0</b> | 22.9        | 22.5        | <b>23.0</b> |
|                 |            | 12            | 0         | 20.9                    | 20.7        | 21.0        | 20.7        | 20.5        | 20.7        |
|                 |            | 12            | 6         | 20.9                    | 20.6        | 20.9        | 20.7        | 20.5        | 20.6        |
|                 |            | 12            | 11        | 20.9                    | 20.6        | 20.9        | 20.6        | 20.5        | 20.6        |
|                 |            | 25            | 0         | 20.9                    | 20.6        | 21.0        | 20.7        | 20.5        | 20.6        |
|                 | 256QAM     | 1             | 0         | 18.7                    | <b>19.8</b> | 18.7        | 18.5        | <b>19.2</b> | 18.3        |
|                 |            | 1             | 12        | 18.5                    | 19.6        | 18.6        | 18.3        | 19.0        | 18.2        |
|                 |            | 1             | 24        | 18.6                    | 19.7        | 18.6        | 18.4        | 19.1        | 18.2        |
|                 |            | 12            | 0         | 18.0                    | 17.6        | 18.0        | 17.8        | 19.1        | 17.7        |
| 12              |            | 6             | 17.9      | 17.6                    | 18.0        | 17.7        | 19.1        | 17.7        |             |
| 12              |            | 11            | 17.9      | 17.6                    | 18.0        | 17.7        | 19.0        | 17.7        |             |
| 25              |            | 0             | 17.9      | 17.6                    | 18.0        | 17.7        | 19.1        | 17.7        |             |

#### OUTPUT POWER FOR LTE BAND 13 (10.0 MHz)

| Bandwidth (MHz) | Modulation | RB Allocation | RB Offset | Conducted Average (dBm) |             |     |       |       |             |
|-----------------|------------|---------------|-----------|-------------------------|-------------|-----|-------|-------|-------------|
|                 |            |               |           | ANT 0                   |             |     | ANT 1 |       |             |
|                 |            |               |           | N/A                     | 23230       | N/A | N/A   | 23230 | N/A         |
| 10.0            | QPSK       | 1             | 0         |                         | <b>24.7</b> |     |       |       | 24.7        |
|                 |            | 1             | 24        |                         | 24.6        |     |       |       | <b>24.8</b> |
|                 |            | 1             | 49        |                         | 24.5        |     |       |       | 24.7        |
|                 |            | 25            | 0         |                         | 23.6        |     |       |       | 23.7        |
|                 |            | 25            | 12        |                         | 23.6        |     |       |       | 23.7        |
|                 |            | 25            | 24        |                         | 23.5        |     |       |       | 23.7        |
|                 |            | 50            | 0         |                         | 23.6        |     |       |       | 23.7        |
|                 | 16QAM      | 1             | 0         |                         | <b>23.9</b> |     |       |       | <b>23.9</b> |
|                 |            | 1             | 24        |                         | 23.8        |     |       |       | 23.9        |
|                 |            | 1             | 49        |                         | 23.7        |     |       |       | 23.8        |
|                 |            | 25            | 0         |                         | 22.7        |     |       |       | 22.7        |
|                 |            | 25            | 12        |                         | 22.7        |     |       |       | 22.7        |
|                 |            | 25            | 24        |                         | 22.6        |     |       |       | 22.6        |
|                 |            | 50            | 0         |                         | 22.7        |     |       |       | 22.7        |
|                 | 64QAM      | 1             | 0         |                         | <b>22.8</b> |     |       |       | <b>22.6</b> |
|                 |            | 1             | 24        |                         | <b>22.8</b> |     |       |       | <b>22.6</b> |
|                 |            | 1             | 49        |                         | 22.7        |     |       |       | <b>22.6</b> |
|                 |            | 25            | 0         |                         | 20.7        |     |       |       | 20.6        |
|                 |            | 25            | 12        |                         | 20.6        |     |       |       | 20.5        |
|                 |            | 25            | 24        |                         | 20.6        |     |       |       | 20.5        |
|                 |            | 50            | 0         |                         | 20.7        |     |       |       | 20.5        |
|                 | 256QAM     | 1             | 0         |                         | <b>19.9</b> |     |       |       | <b>19.3</b> |
|                 |            | 1             | 24        |                         | 19.8        |     |       |       | 19.2        |
|                 |            | 1             | 49        |                         | 19.8        |     |       |       | 19.2        |
|                 |            | 25            | 0         |                         | 17.7        |     |       |       | 19.2        |
| 25              |            | 12            |           | 17.7                    |             |     |       | 19.1  |             |
| 25              |            | 24            |           | 17.6                    |             |     |       | 19.1  |             |
| 50              |            | 0             |           | 17.6                    |             |     |       | 19.1  |             |



### 8.5. LTE BAND 14 AND 5G NR n14

#### LTE BAND 14

|                          |                                 |                   |                          |
|--------------------------|---------------------------------|-------------------|--------------------------|
| <b>Test Engineer ID:</b> | 52300CK, 39005RA<br>and 50813CM | <b>Test Date:</b> | 2024-02-20 to 2024-03-22 |
|--------------------------|---------------------------------|-------------------|--------------------------|

#### OUTPUT POWER FOR LTE BAND 14 (5.0 MHz)

| Bandwidth (MHz) | Modulation | RB Allocation | RB Offset | Conducted Average (dBm) |       |       |       |       |       |
|-----------------|------------|---------------|-----------|-------------------------|-------|-------|-------|-------|-------|
|                 |            |               |           | ANT 0                   |       |       | ANT 1 |       |       |
|                 |            |               |           | 23305                   | 23330 | 23355 | 23305 | 23330 | 23355 |
| 5.0             | QPSK       | 1             | 0         | 25.0                    | 24.5  | 25.0  | 24.6  | 24.6  | 24.6  |
|                 |            | 1             | 12        | 25.0                    | 24.4  | 25.0  | 24.5  | 24.6  | 24.6  |
|                 |            | 1             | 24        | 25.0                    | 24.4  | 25.0  | 24.6  | 24.6  | 24.6  |
|                 |            | 12            | 0         | 24.0                    | 23.6  | 24.0  | 23.6  | 23.6  | 23.6  |
|                 |            | 12            | 6         | 24.0                    | 23.6  | 24.0  | 23.6  | 23.6  | 23.6  |
|                 |            | 12            | 11        | 24.0                    | 23.5  | 24.0  | 23.6  | 23.5  | 23.6  |
|                 |            | 25            | 0         | 24.0                    | 23.5  | 24.0  | 23.6  | 23.6  | 23.6  |
|                 | 16QAM      | 1             | 0         | 24.0                    | 23.9  | 24.0  | 24.0  | 23.9  | 23.9  |
|                 |            | 1             | 12        | 24.0                    | 23.8  | 23.9  | 23.8  | 23.9  | 23.8  |
|                 |            | 1             | 24        | 24.0                    | 23.9  | 23.9  | 23.9  | 23.9  | 23.8  |
|                 |            | 12            | 0         | 23.0                    | 22.6  | 23.0  | 22.6  | 22.5  | 22.6  |
|                 |            | 12            | 6         | 22.9                    | 22.6  | 22.9  | 22.6  | 22.5  | 22.6  |
|                 |            | 12            | 11        | 22.9                    | 22.6  | 22.9  | 22.6  | 22.5  | 22.6  |
|                 |            | 25            | 0         | 22.9                    | 22.6  | 23.0  | 22.5  | 22.5  | 22.5  |
|                 | 64QAM      | 1             | 0         | 23.0                    | 22.5  | 23.0  | 22.7  | 22.3  | 22.8  |
|                 |            | 1             | 12        | 23.0                    | 22.4  | 23.0  | 22.7  | 22.4  | 22.8  |
|                 |            | 1             | 24        | 23.0                    | 22.5  | 22.9  | 22.8  | 22.4  | 22.8  |
|                 |            | 12            | 0         | 21.1                    | 20.6  | 21.0  | 20.5  | 20.4  | 20.5  |
|                 |            | 12            | 6         | 21.0                    | 20.6  | 21.0  | 20.4  | 20.4  | 20.5  |
|                 |            | 12            | 11        | 21.0                    | 20.6  | 21.0  | 20.4  | 20.4  | 20.5  |
|                 |            | 25            | 0         | 21.0                    | 20.6  | 20.9  | 20.4  | 20.5  | 20.5  |
|                 | 256QAM     | 1             | 0         | 18.7                    | 19.8  | 18.7  | 19.1  | 19.1  | 19.3  |
|                 |            | 1             | 12        | 18.6                    | 19.6  | 18.6  | 19.0  | 19.0  | 19.3  |
|                 |            | 1             | 24        | 18.6                    | 19.7  | 18.6  | 19.1  | 19.1  | 19.3  |
|                 |            | 12            | 0         | 18.0                    | 17.6  | 18.0  | 19.0  | 18.9  | 19.1  |
| 12              |            | 6             | 18.0      | 17.5                    | 17.9  | 19.0  | 18.9  | 19.1  |       |
| 12              |            | 11            | 18.0      | 17.5                    | 17.9  | 19.0  | 18.9  | 19.1  |       |
| 25              |            | 0             | 18.0      | 17.6                    | 18.0  | 19.1  | 19.0  | 19.0  |       |

#### OUTPUT POWER FOR LTE BAND 14 (10.0 MHz)

| Bandwidth (MHz) | Modulation | RB Allocation | RB Offset | Conducted Average (dBm) |       |     |       |       |     |
|-----------------|------------|---------------|-----------|-------------------------|-------|-----|-------|-------|-----|
|                 |            |               |           | ANT 0                   |       |     | ANT 1 |       |     |
|                 |            |               |           | N/A                     | 23330 | N/A | N/A   | 23330 | N/A |
| 10.0            | QPSK       | 1             | 0         |                         | 24.6  |     |       | 24.7  |     |
|                 |            | 1             | 24        |                         | 24.6  |     |       | 24.5  |     |
|                 |            | 1             | 49        |                         | 24.5  |     |       | 24.6  |     |
|                 |            | 25            | 0         |                         | 23.6  |     |       | 23.6  |     |
|                 |            | 25            | 12        |                         | 23.6  |     |       | 23.6  |     |
|                 |            | 25            | 24        |                         | 23.5  |     |       | 23.6  |     |
|                 |            | 50            | 0         |                         | 23.6  |     |       | 23.6  |     |
|                 | 16QAM      | 1             | 0         |                         | 23.7  |     |       | 24.0  |     |
|                 |            | 1             | 24        |                         | 23.7  |     |       | 24.0  |     |
|                 |            | 1             | 49        |                         | 23.5  |     |       | 23.9  |     |
|                 |            | 25            | 0         |                         | 22.6  |     |       | 22.6  |     |
|                 |            | 25            | 12        |                         | 22.6  |     |       | 22.6  |     |
|                 |            | 25            | 24        |                         | 22.5  |     |       | 22.6  |     |
|                 |            | 50            | 0         |                         | 22.6  |     |       | 22.5  |     |
|                 | 64QAM      | 1             | 0         |                         | 22.7  |     |       | 22.6  |     |
|                 |            | 1             | 24        |                         | 22.7  |     |       | 22.6  |     |
|                 |            | 1             | 49        |                         | 22.6  |     |       | 22.7  |     |
|                 |            | 25            | 0         |                         | 20.6  |     |       | 20.6  |     |
|                 |            | 25            | 12        |                         | 20.6  |     |       | 20.6  |     |
|                 |            | 25            | 24        |                         | 20.6  |     |       | 20.6  |     |
|                 |            | 50            | 0         |                         | 20.6  |     |       | 20.5  |     |
|                 | 256QAM     | 1             | 0         |                         | 19.9  |     |       | 19.2  |     |
|                 |            | 1             | 24        |                         | 19.7  |     |       | 19.2  |     |
|                 |            | 1             | 49        |                         | 19.7  |     |       | 19.1  |     |
|                 |            | 25            | 0         |                         | 17.6  |     |       | 19.1  |     |
| 25              |            | 12            |           | 17.6                    |       |     | 19.0  |       |     |
| 25              |            | 24            |           | 17.6                    |       |     | 19.0  |       |     |
| 50              |            | 0             |           | 17.6                    |       |     | 19.0  |       |     |

**5G NR n14**

|                   |         |            |            |
|-------------------|---------|------------|------------|
| Test Engineer ID: | 28498AC | Test Date: | 2024-03-05 |
|-------------------|---------|------------|------------|

**OUTPUT POWER FOR 5G NR n14 (5.0 MHz)**

| Bandwidth (MHz) | Modulation | RB Allocation | RB Offset | Conducted Average (dBm) |             |             |             |             |        |
|-----------------|------------|---------------|-----------|-------------------------|-------------|-------------|-------------|-------------|--------|
|                 |            |               |           | ANT 0                   |             |             | ANT 1       |             |        |
|                 |            |               |           | 158100                  | 158600      | 159100      | 158100      | 158600      | 159100 |
| 5.0             | BPSK       | 1             | 0         | 24.8                    | 24.3        | 24.7        | 24.2        | 24.4        | 24.3   |
|                 |            | 1             | 1         | 24.8                    | 24.7        | 24.6        | 24.6        | <b>24.6</b> | 24.4   |
|                 |            | 1             | 23        | 24.9                    | 24.8        | 24.6        | 24.5        | 24.6        | 24.4   |
|                 |            | 1             | 24        | 24.7                    | 24.5        | 24.4        | 24.1        | 24.2        | 24.1   |
|                 |            | 12            | 6         | 25.0                    | <b>25.0</b> | 25.0        | 24.5        | 24.6        | 24.3   |
|                 |            | 25            | 0         | 24.6                    | 24.6        | 24.5        | 24.3        | 24.3        | 24.3   |
|                 | QPSK       | 1             | 0         | 24.6                    | 24.5        | 24.6        | 24.3        | 24.3        | 24.4   |
|                 |            | 1             | 1         | 24.3                    | 24.2        | 24.2        | 23.9        | 24.0        | 23.9   |
|                 |            | 1             | 23        | 24.1                    | 24.3        | 24.2        | 24.1        | 24.0        | 24.0   |
|                 |            | 1             | 24        | <b>24.8</b>             | 24.5        | 24.7        | <b>24.5</b> | 24.3        | 24.4   |
|                 |            | 12            | 6         | 24.1                    | 24.2        | 24.1        | 23.8        | 23.9        | 23.9   |
|                 |            | 25            | 0         | 24.0                    | 24.1        | 24.2        | 23.9        | 23.8        | 23.9   |
|                 | 16QAM      | 1             | 0         | 23.9                    | 23.2        | 23.7        | 23.4        | 23.6        | 23.2   |
|                 |            | 1             | 1         | 24.8                    | 24.2        | 24.5        | 24.5        | 23.8        | 24.4   |
|                 |            | 1             | 23        | <b>25.0</b>             | 24.7        | 24.9        | 24.5        | <b>24.5</b> | 24.4   |
|                 |            | 1             | 24        | 23.2                    | 23.2        | 23.4        | 23.4        | 23.2        | 23.7   |
|                 |            | 12            | 6         | 24.7                    | 24.4        | 24.4        | 24.3        | 24.3        | 24.3   |
|                 |            | 25            | 0         | 23.5                    | 23.6        | 23.6        | 23.3        | 23.3        | 23.4   |
|                 | 64QAM      | 1             | 0         | 23.2                    | 23.1        | <b>23.4</b> | <b>23.1</b> | 22.7        | 22.8   |
|                 |            | 1             | 1         | 23.3                    | 23.0        | 23.3        | 22.7        | 22.6        | 22.6   |
|                 |            | 1             | 23        | 23.2                    | 23.2        | 23.3        | <b>23.1</b> | 22.9        | 22.9   |
|                 |            | 1             | 24        | 23.1                    | 22.6        | 23.1        | 22.9        | 22.8        | 22.7   |
|                 |            | 12            | 6         | 23.0                    | 23.0        | 23.0        | 22.8        | 22.9        | 22.8   |
|                 |            | 25            | 0         | 23.1                    | 23.1        | 23.1        | 22.8        | 22.8        | 22.8   |
|                 | 256QAM     | 1             | 0         | 20.1                    | 19.9        | 19.6        | <b>19.8</b> | 19.0        | 19.0   |
|                 |            | 1             | 1         | 19.3                    | <b>20.1</b> | 19.4        | 19.6        | 19.4        | 18.9   |
|                 |            | 1             | 23        | 20.0                    | 20.1        | 19.6        | 19.1        | 19.0        | 19.2   |
|                 |            | 1             | 24        | 19.5                    | 19.7        | 20.0        | 19.4        | 19.2        | 19.5   |
|                 |            | 12            | 6         | 19.5                    | 19.6        | 19.6        | 19.1        | 19.2        | 19.4   |
|                 |            | 25            | 0         | 19.6                    | 19.6        | 19.6        | 19.4        | 19.3        | 19.4   |

**OUTPUT POWER FOR 5G NR n14 (10.0 MHz)**

| Bandwidth (MHz) | Modulation | RB Allocation | RB Offset | Conducted Average (dBm) |             |     |       |             |     |
|-----------------|------------|---------------|-----------|-------------------------|-------------|-----|-------|-------------|-----|
|                 |            |               |           | ANT 0                   |             |     | ANT 1 |             |     |
|                 |            |               |           | N/A                     | 158600      | N/A | N/A   | 158600      | N/A |
| 10.0            | BPSK       | 1             | 0         |                         | 24.6        |     |       | 24.2        |     |
|                 |            | 1             | 1         |                         | 24.2        |     |       | <b>24.7</b> |     |
|                 |            | 1             | 50        |                         | 24.3        |     |       | 24.7        |     |
|                 |            | 1             | 51        |                         | <b>24.7</b> |     |       | 24.4        |     |
|                 |            | 25            | 12        |                         | 24.1        |     |       | 24.6        |     |
|                 |            | 50            | 0         |                         | 24.1        |     |       | 24.3        |     |
|                 | QPSK       | 1             | 0         |                         | 24.7        |     |       | <b>24.3</b> |     |
|                 |            | 1             | 1         |                         | 24.8        |     |       | 23.9        |     |
|                 |            | 1             | 50        |                         | <b>24.9</b> |     |       | 24.0        |     |
|                 |            | 1             | 51        |                         | 24.5        |     |       | <b>24.3</b> |     |
|                 |            | 25            | 12        |                         | 24.7        |     |       | 23.8        |     |
|                 |            | 50            | 0         |                         | 24.6        |     |       | 23.9        |     |
|                 | 16QAM      | 1             | 0         |                         | 24.0        |     |       | 23.6        |     |
|                 |            | 1             | 1         |                         | 24.9        |     |       | 24.2        |     |
|                 |            | 1             | 50        |                         | <b>24.9</b> |     |       | 24.2        |     |
|                 |            | 1             | 51        |                         | 23.7        |     |       | 23.2        |     |
|                 |            | 25            | 12        |                         | 24.6        |     |       | <b>24.3</b> |     |
|                 |            | 50            | 0         |                         | 23.5        |     |       | 23.4        |     |
|                 | 64QAM      | 1             | 0         |                         | <b>23.6</b> |     |       | 22.5        |     |
|                 |            | 1             | 1         |                         | 23.2        |     |       | 22.3        |     |
|                 |            | 1             | 50        |                         | 23.4        |     |       | 22.4        |     |
|                 |            | 1             | 51        |                         | 22.8        |     |       | <b>23.0</b> |     |
|                 |            | 25            | 12        |                         | 23.1        |     |       | 22.8        |     |
|                 |            | 50            | 0         |                         | 23.0        |     |       | 22.8        |     |
|                 | 256QAM     | 1             | 0         |                         | 20.0        |     |       | 19.2        |     |
|                 |            | 1             | 1         |                         | 19.6        |     |       | <b>19.5</b> |     |
|                 |            | 1             | 50        |                         | <b>20.1</b> |     |       | 19.1        |     |
|                 |            | 1             | 51        |                         | 19.8        |     |       | 19.1        |     |
|                 |            | 25            | 12        |                         | 19.6        |     |       | 19.2        |     |
|                 |            | 50            | 0         |                         | 19.6        |     |       | 19.3        |     |

### 8.6. LTE BAND 17

|                          |                                 |                   |                          |
|--------------------------|---------------------------------|-------------------|--------------------------|
| <b>Test Engineer ID:</b> | 52300CK, 39005RA<br>and 43576TS | <b>Test Date:</b> | 2024-01-24 to 2024-03-25 |
|--------------------------|---------------------------------|-------------------|--------------------------|

#### OUTPUT POWER FOR LTE BAND 17 (5.0 MHz)

| Bandwidth (MHz) | Modulation | RB Allocation | RB Offset | Conducted Average (dBm) |             |             |             |             |             |
|-----------------|------------|---------------|-----------|-------------------------|-------------|-------------|-------------|-------------|-------------|
|                 |            |               |           | ANT 0                   |             |             | ANT 1       |             |             |
|                 |            |               |           | 23755                   | 23790       | 23825       | 23755       | 23790       | 23825       |
| 5.0             | QPSK       | 1             | 0         | 24.7                    | 24.3        | <b>24.8</b> | 24.4        | 24.5        | <b>24.5</b> |
|                 |            | 1             | 12        | 24.7                    | 24.3        | <b>24.8</b> | 24.3        | 24.3        | 24.5        |
|                 |            | 1             | 24        | 24.7                    | 24.3        | 24.7        | 24.4        | 24.4        | 24.4        |
|                 |            | 12            | 0         | 23.8                    | 23.4        | 23.8        | 23.4        | 23.4        | 23.4        |
|                 |            | 12            | 6         | 23.7                    | 23.4        | 23.8        | 23.4        | 23.4        | 23.4        |
|                 |            | 12            | 11        | 23.7                    | 23.4        | 23.7        | 23.4        | 23.4        | 23.4        |
|                 |            | 25            | 0         | 23.7                    | 23.4        | 23.8        | 23.4        | 23.4        | 23.4        |
|                 | 16QAM      | 1             | 0         | 23.9                    | 23.8        | <b>23.9</b> | 23.7        | <b>24.0</b> | 23.6        |
|                 |            | 1             | 12        | 23.8                    | 23.6        | <b>23.9</b> | 23.5        | 23.9        | 23.6        |
|                 |            | 1             | 24        | 23.8                    | 23.7        | 23.7        | 23.7        | 23.8        | 23.4        |
|                 |            | 12            | 0         | 22.7                    | 22.4        | 22.8        | 22.4        | 22.5        | 22.4        |
|                 |            | 12            | 6         | 22.6                    | 22.4        | 22.8        | 22.4        | 22.4        | 22.4        |
|                 |            | 12            | 11        | 22.6                    | 22.4        | 22.8        | 22.4        | 22.4        | 22.3        |
|                 |            | 25            | 0         | 22.8                    | 22.4        | 22.8        | 22.3        | 22.4        | 22.4        |
|                 | 64QAM      | 1             | 0         | <b>22.9</b>             | 22.6        | 22.9        | 22.4        | 22.5        | <b>22.6</b> |
|                 |            | 1             | 12        | 22.9                    | 22.5        | 22.8        | 22.4        | 22.5        | 22.5        |
|                 |            | 1             | 24        | 22.9                    | 22.5        | 22.8        | 22.5        | 22.4        | 22.4        |
|                 |            | 12            | 0         | 20.8                    | 20.4        | 20.8        | 20.2        | 20.4        | 20.3        |
|                 |            | 12            | 6         | 20.7                    | 20.4        | 20.7        | 20.2        | 20.3        | 20.3        |
|                 |            | 12            | 11        | 20.7                    | 20.4        | 20.7        | 20.2        | 20.2        | 20.2        |
|                 |            | 25            | 0         | 20.7                    | 20.4        | 20.7        | 20.2        | 20.3        | 20.3        |
|                 | 256QAM     | 1             | 0         | 18.5                    | <b>19.5</b> | 18.4        | <b>19.0</b> | 19.0        | <b>19.0</b> |
|                 |            | 1             | 12        | 18.4                    | 19.4        | 18.2        | 18.9        | 18.9        | 18.8        |
|                 |            | 1             | 24        | 18.4                    | 19.4        | 18.2        | 19.0        | 18.8        | 18.8        |
|                 |            | 12            | 0         | 17.8                    | 17.5        | 17.8        | 18.8        | 18.9        | 18.9        |
| 12              |            | 6             | 17.8      | 17.4                    | 17.7        | 18.8        | 18.8        | 18.9        |             |
| 12              |            | 11            | 17.8      | 17.4                    | 17.7        | 18.8        | 18.8        | 18.8        |             |
| 25              |            | 0             | 17.8      | 17.4                    | 17.8        | 18.9        | 18.8        | 18.8        |             |

#### OUTPUT POWER FOR LTE BAND 17 (10.0 MHz)

| Bandwidth (MHz) | Modulation | RB Allocation | RB Offset | Conducted Average (dBm) |             |             |             |             |             |
|-----------------|------------|---------------|-----------|-------------------------|-------------|-------------|-------------|-------------|-------------|
|                 |            |               |           | ANT 0                   |             |             | ANT 1       |             |             |
|                 |            |               |           | 23780                   | 23790       | 23800       | 23780       | 23790       | 23800       |
| 10.0            | QPSK       | 1             | 0         | 24.9                    | 24.4        | <b>24.9</b> | 24.3        | 24.5        | 24.4        |
|                 |            | 1             | 24        | 24.9                    | 24.3        | 24.8        | 24.2        | <b>24.5</b> | 24.4        |
|                 |            | 1             | 49        | 24.8                    | 24.4        | 24.7        | 24.4        | 24.3        | 24.4        |
|                 |            | 25            | 0         | 23.9                    | 23.5        | 23.9        | 23.4        | 23.4        | 23.4        |
|                 |            | 25            | 12        | 23.8                    | 23.4        | 23.8        | 23.4        | 23.4        | 23.4        |
|                 |            | 25            | 24        | 23.8                    | 23.4        | 23.8        | 23.3        | 23.3        | 23.4        |
|                 |            | 50            | 0         | 23.9                    | 23.4        | 23.8        | 23.4        | 23.4        | 23.4        |
|                 | 16QAM      | 1             | 0         | <b>24.0</b>             | 23.7        | 23.9        | 23.7        | <b>23.8</b> | 23.6        |
|                 |            | 1             | 24        | 23.9                    | 23.7        | 23.8        | 23.6        | 23.8        | 23.6        |
|                 |            | 1             | 49        | 23.9                    | 23.5        | 23.6        | 23.7        | 23.7        | 23.4        |
|                 |            | 25            | 0         | 22.9                    | 22.5        | 22.9        | 22.4        | 22.4        | 22.4        |
|                 |            | 25            | 12        | 22.8                    | 22.4        | 22.8        | 22.4        | 22.4        | 22.4        |
|                 |            | 25            | 24        | 22.8                    | 22.4        | 22.8        | 22.4        | 22.4        | 22.3        |
|                 |            | 50            | 0         | 22.9                    | 22.4        | 22.8        | 22.4        | 22.3        | 22.3        |
|                 | 64QAM      | 1             | 0         | <b>23.0</b>             | 22.8        | <b>23.0</b> | 22.4        | 22.6        | 22.6        |
|                 |            | 1             | 24        | <b>23.0</b>             | 22.7        | 23.0        | 22.4        | <b>22.6</b> | 22.5        |
|                 |            | 1             | 49        | 22.9                    | 22.6        | 22.8        | 22.5        | 22.5        | 22.4        |
|                 |            | 25            | 0         | 20.8                    | 20.5        | 20.8        | 20.2        | 20.3        | 20.3        |
|                 |            | 25            | 12        | 20.7                    | 20.4        | 20.8        | 20.2        | 20.3        | 20.3        |
|                 |            | 25            | 24        | 20.7                    | 20.4        | 20.7        | 20.2        | 20.2        | 20.3        |
|                 |            | 50            | 0         | 20.8                    | 20.4        | 20.7        | 20.2        | 20.3        | 20.3        |
|                 | 256QAM     | 1             | 0         | 18.7                    | <b>19.5</b> | 18.5        | 19.0        | 18.9        | 19.0        |
|                 |            | 1             | 24        | 18.6                    | 19.4        | 18.4        | <b>19.0</b> | 18.8        | <b>19.0</b> |
|                 |            | 1             | 49        | 18.5                    | 19.4        | 18.3        | 19.0        | 18.8        | 18.8        |
|                 |            | 25            | 0         | 17.9                    | 17.5        | 17.9        | 18.8        | 18.9        | 18.9        |
| 25              |            | 12            | 17.8      | 17.5                    | 17.8        | 18.8        | 18.8        | 18.9        |             |
| 25              |            | 24            | 17.8      | 17.4                    | 17.8        | 18.8        | 18.8        | 18.9        |             |
| 50              |            | 0             | 17.8      | 17.4                    | 17.8        | 18.9        | 18.8        | 18.8        |             |

### 8.7. LTE BAND 25 AND 5G NR n25

#### LTE BAND 25

|                          |                     |                   |                          |
|--------------------------|---------------------|-------------------|--------------------------|
| <b>Test Engineer ID:</b> | 43576TS and 50813CM | <b>Test Date:</b> | 2024-01-13 to 2024-03-12 |
|--------------------------|---------------------|-------------------|--------------------------|

#### OUTPUT POWER FOR LTE BAND 25 (1.4 MHz)

| Bandwidth (MHz) | Modulation | RB Allocation | RB Offset | Conducted Average (dBm) |       |       |       |       |       |       |       |       |       |       |       |
|-----------------|------------|---------------|-----------|-------------------------|-------|-------|-------|-------|-------|-------|-------|-------|-------|-------|-------|
|                 |            |               |           | ANT 2                   |       |       | ANT 0 |       |       | ANT 1 |       |       | ANT 5 |       |       |
|                 |            |               |           | 26047                   | 26365 | 26683 | 26047 | 26365 | 26683 | 26047 | 26365 | 26683 | 26047 | 26365 | 26683 |
| 1.4             | QPSK       | 1             | 0         | 24.7                    | 24.3  | 24.2  | 24.0  | 23.9  | 23.7  | 24.5  | 24.4  | 24.5  | 23.7  | 23.8  | 23.8  |
|                 |            | 1             | 2         | 24.2                    | 24.4  | 24.0  | 24.0  | 23.9  | 23.6  | 24.4  | 24.5  | 24.2  | 23.5  | 23.6  | 23.9  |
|                 |            | 1             | 5         | 24.4                    | 24.3  | 24.1  | 23.9  | 23.8  | 23.6  | 24.5  | 24.4  | 24.4  | 23.7  | 23.9  | 23.8  |
|                 |            | 3             | 0         | 24.2                    | 24.2  | 24.1  | 23.9  | 23.8  | 23.6  | 24.4  | 24.5  | 24.4  | 23.7  | 23.8  | 23.8  |
|                 |            | 3             | 1         | 24.2                    | 24.2  | 24.0  | 23.8  | 23.7  | 23.5  | 24.4  | 24.5  | 24.4  | 23.7  | 23.8  | 23.7  |
|                 |            | 3             | 2         | 24.2                    | 24.1  | 23.9  | 23.8  | 23.7  | 23.4  | 24.4  | 24.4  | 24.3  | 23.7  | 23.7  | 23.7  |
|                 | 16QAM      | 6             | 0         | 23.2                    | 23.2  | 23.1  | 22.9  | 22.8  | 22.6  | 23.4  | 23.4  | 23.5  | 22.7  | 22.8  | 22.7  |
|                 |            | 1             | 0         | 23.3                    | 23.3  | 23.3  | 22.9  | 23.0  | 22.9  | 23.5  | 23.6  | 23.7  | 23.0  | 23.0  | 22.8  |
|                 |            | 1             | 2         | 23.9                    | 23.3  | 23.4  | 22.9  | 23.0  | 22.9  | 23.6  | 23.6  | 23.8  | 23.0  | 23.0  | 22.8  |
|                 |            | 1             | 5         | 23.4                    | 23.3  | 23.3  | 23.1  | 23.1  | 22.9  | 23.5  | 23.6  | 23.7  | 23.0  | 23.0  | 22.9  |
|                 |            | 3             | 0         | 23.4                    | 23.2  | 23.0  | 22.9  | 22.9  | 22.6  | 23.6  | 23.5  | 23.4  | 22.6  | 22.9  | 22.8  |
|                 |            | 3             | 1         | 23.3                    | 23.1  | 23.0  | 22.8  | 22.8  | 22.6  | 23.4  | 23.4  | 23.4  | 22.7  | 22.9  | 22.8  |
|                 | 64QAM      | 3             | 2         | 23.3                    | 23.2  | 23.0  | 22.9  | 22.9  | 22.4  | 23.5  | 23.5  | 23.3  | 22.6  | 22.8  | 22.8  |
|                 |            | 6             | 0         | 22.3                    | 22.3  | 22.1  | 22.0  | 21.9  | 21.6  | 22.5  | 22.5  | 22.4  | 21.8  | 21.8  | 21.9  |
|                 |            | 1             | 0         | 22.7                    | 22.4  | 22.3  | 22.2  | 21.8  | 21.7  | 22.4  | 22.6  | 22.6  | 22.0  | 21.9  | 22.3  |
|                 |            | 1             | 2         | 22.7                    | 22.4  | 22.4  | 22.0  | 21.5  | 21.8  | 22.6  | 22.6  | 22.7  | 22.0  | 21.8  | 22.3  |
|                 |            | 1             | 5         | 22.6                    | 22.3  | 22.3  | 22.1  | 21.6  | 21.7  | 22.4  | 22.5  | 22.6  | 21.9  | 21.9  | 22.2  |
|                 |            | 3             | 0         | 22.5                    | 22.3  | 22.1  | 21.9  | 22.0  | 21.7  | 22.4  | 22.7  | 22.6  | 22.0  | 22.1  | 22.2  |
|                 | 256QAM     | 3             | 1         | 22.4                    | 22.2  | 22.2  | 21.8  | 21.9  | 21.6  | 22.5  | 22.6  | 22.6  | 21.9  | 22.0  | 22.1  |
|                 |            | 3             | 2         | 22.4                    | 22.2  | 22.1  | 21.8  | 21.9  | 21.6  | 22.4  | 22.6  | 22.6  | 21.9  | 22.0  | 22.1  |
|                 |            | 6             | 0         | 21.3                    | 21.2  | 21.2  | 20.9  | 20.8  | 20.6  | 21.4  | 21.5  | 21.5  | 20.8  | 20.9  | 20.8  |
|                 |            | 1             | 0         | 19.2                    | 19.4  | 19.3  | 18.7  | 19.0  | 18.6  | 19.4  | 19.5  | 19.6  | 18.8  | 18.9  | 18.8  |
|                 |            | 1             | 2         | 19.4                    | 19.5  | 19.3  | 19.1  | 19.1  | 18.7  | 19.5  | 19.6  | 19.7  | 18.9  | 19.0  | 19.0  |
|                 |            | 1             | 5         | 19.3                    | 19.5  | 19.3  | 18.8  | 19.1  | 18.5  | 19.4  | 19.5  | 19.6  | 18.8  | 18.9  | 18.8  |

#### OUTPUT POWER FOR LTE BAND 25 (3.0 MHz)

| Bandwidth (MHz) | Modulation | RB Allocation | RB Offset | Conducted Average (dBm) |       |       |       |       |       |       |       |       |       |       |       |
|-----------------|------------|---------------|-----------|-------------------------|-------|-------|-------|-------|-------|-------|-------|-------|-------|-------|-------|
|                 |            |               |           | ANT 2                   |       |       | ANT 0 |       |       | ANT 1 |       |       | ANT 5 |       |       |
|                 |            |               |           | 26055                   | 26365 | 26675 | 26055 | 26365 | 26675 | 26055 | 26365 | 26675 | 26055 | 26365 | 26675 |
| 3.0             | QPSK       | 1             | 0         | 24.4                    | 24.2  | 24.2  | 23.9  | 23.9  | 23.8  | 24.5  | 24.4  | 24.5  | 23.7  | 23.7  | 23.8  |
|                 |            | 1             | 7         | 24.1                    | 24.2  | 24.2  | 23.9  | 23.9  | 23.7  | 24.3  | 24.4  | 24.5  | 23.7  | 23.6  | 23.8  |
|                 |            | 1             | 14        | 24.6                    | 24.2  | 24.2  | 23.9  | 23.8  | 23.7  | 24.5  | 24.4  | 24.5  | 23.6  | 23.7  | 23.8  |
|                 |            | 8             | 0         | 23.3                    | 23.2  | 23.1  | 22.8  | 22.8  | 22.7  | 23.5  | 23.5  | 23.4  | 22.7  | 22.7  | 22.7  |
|                 |            | 8             | 4         | 23.3                    | 23.2  | 23.2  | 22.8  | 22.7  | 22.7  | 23.5  | 23.4  | 23.4  | 22.7  | 22.7  | 22.7  |
|                 |            | 8             | 7         | 23.3                    | 23.2  | 23.2  | 22.8  | 22.7  | 22.5  | 23.5  | 23.4  | 23.5  | 22.6  | 22.7  | 22.7  |
|                 | 16QAM      | 15            | 0         | 23.3                    | 23.2  | 23.1  | 22.8  | 22.7  | 22.7  | 23.4  | 23.5  | 23.4  | 22.7  | 22.7  | 22.7  |
|                 |            | 1             | 0         | 23.4                    | 23.5  | 23.4  | 23.1  | 22.8  | 22.8  | 23.5  | 23.7  | 23.7  | 23.0  | 22.9  | 23.1  |
|                 |            | 1             | 7         | 23.4                    | 23.5  | 23.4  | 23.1  | 22.9  | 22.8  | 23.5  | 23.7  | 23.7  | 23.0  | 22.9  | 23.2  |
|                 |            | 1             | 14        | 23.3                    | 23.9  | 23.3  | 23.0  | 22.7  | 22.7  | 23.5  | 23.8  | 23.7  | 23.0  | 23.0  | 23.0  |
|                 |            | 8             | 0         | 22.3                    | 22.3  | 22.2  | 21.9  | 21.8  | 21.7  | 22.5  | 22.6  | 22.5  | 21.8  | 21.8  | 21.9  |
|                 |            | 8             | 4         | 22.3                    | 22.3  | 22.1  | 21.8  | 21.7  | 21.7  | 22.5  | 22.6  | 22.4  | 21.8  | 21.8  | 21.8  |
|                 | 64QAM      | 8             | 7         | 22.3                    | 22.2  | 22.1  | 21.8  | 21.8  | 21.6  | 22.4  | 22.5  | 22.4  | 21.8  | 21.8  | 21.8  |
|                 |            | 15            | 0         | 22.3                    | 22.3  | 22.2  | 21.8  | 21.7  | 21.6  | 22.4  | 22.5  | 22.4  | 21.7  | 21.8  | 21.8  |
|                 |            | 1             | 0         | 22.4                    | 22.4  | 22.2  | 22.2  | 22.1  | 22.1  | 22.5  | 22.8  | 22.6  | 22.0  | 22.0  | 22.0  |
|                 |            | 1             | 7         | 22.3                    | 22.3  | 22.1  | 22.2  | 22.2  | 22.2  | 22.5  | 22.7  | 22.5  | 22.1  | 22.0  | 22.1  |
|                 |            | 1             | 14        | 22.3                    | 22.5  | 22.2  | 22.2  | 22.1  | 22.1  | 22.6  | 22.9  | 22.4  | 22.1  | 22.2  | 22.1  |
|                 |            | 8             | 0         | 21.3                    | 21.3  | 21.2  | 21.0  | 20.9  | 20.8  | 21.4  | 21.5  | 21.4  | 20.8  | 20.8  | 20.8  |
|                 | 256QAM     | 8             | 4         | 21.3                    | 21.3  | 21.2  | 20.9  | 20.8  | 20.8  | 21.4  | 21.5  | 21.4  | 20.8  | 20.8  | 20.8  |
|                 |            | 8             | 7         | 21.3                    | 21.3  | 21.2  | 21.0  | 20.9  | 20.8  | 21.4  | 21.5  | 21.4  | 20.8  | 20.8  | 20.8  |
|                 |            | 15            | 0         | 21.3                    | 21.3  | 21.2  | 20.8  | 20.7  | 20.6  | 21.4  | 21.4  | 21.4  | 20.7  | 20.6  | 20.8  |
|                 |            | 1             | 0         | 19.4                    | 19.5  | 19.4  | 19.2  | 19.0  | 19.0  | 19.4  | 19.7  | 19.5  | 18.9  | 19.1  | 18.8  |
|                 |            | 1             | 7         | 19.3                    | 19.4  | 19.3  | 19.1  | 19.0  | 18.9  | 19.3  | 19.6  | 19.4  | 18.8  | 19.0  | 18.8  |
|                 |            | 1             | 14        | 19.4                    | 19.4  | 19.4  | 19.1  | 19.2  | 18.9  | 19.4  | 19.6  | 19.4  | 18.9  | 19.0  | 18.8  |

**OUTPUT POWER FOR LTE BAND 25 (5.0 MHz)**

| Bandwidth (MHz) | Modulation | RB Allocation | RB Offset | Conducted Average (dBm) |             |             |             |             |             |       |             |             |             |             |             |      |
|-----------------|------------|---------------|-----------|-------------------------|-------------|-------------|-------------|-------------|-------------|-------|-------------|-------------|-------------|-------------|-------------|------|
|                 |            |               |           | ANT 2                   |             |             | ANT 0       |             |             | ANT 1 |             |             | ANT 5       |             |             |      |
|                 |            |               |           | 26065                   | 26365       | 26665       | 26065       | 26365       | 26665       | 26065 | 26365       | 26665       | 26065       | 26365       | 26665       |      |
| 5.0             | QPSK       | 1             | 0         | 23.3                    | <b>24.6</b> | 24.3        | 23.8        | 23.7        | 23.7        | 24.4  | 24.4        | 23.7        | 23.6        | <b>23.8</b> |             |      |
|                 |            | 1             | 12        | 24.3                    | 24.3        | 24.3        | <b>23.8</b> | 23.8        | 23.7        | 24.3  | <b>24.5</b> | 24.4        | 23.6        | 23.7        |             |      |
|                 |            | 1             | 24        | 24.3                    | 24.3        | 24.3        | 23.8        | 23.7        | 23.6        | 24.4  | 24.4        | 23.7        | 23.7        | 23.7        |             |      |
|                 |            | 12            | 0         | 23.3                    | 23.2        | 23.1        | 22.7        | 22.7        | 22.6        | 23.4  | 23.5        | 23.4        | 22.7        | 22.8        |             |      |
|                 |            | 12            | 6         | 23.3                    | 23.2        | 23.1        | 22.7        | 22.7        | 22.6        | 23.4  | 23.5        | 23.4        | 22.7        | 22.8        |             |      |
|                 | 16QAM      | 12            | 11        | 23.3                    | 23.2        | 23.1        | 22.7        | 22.7        | 22.6        | 23.4  | 23.5        | 23.4        | 22.7        | 22.7        |             |      |
|                 |            | 25            | 0         | 23.3                    | 23.3        | 23.3        | 22.8        | 22.7        | 22.7        | 23.4  | 23.5        | 23.4        | 22.7        | 22.7        |             |      |
|                 |            | 1             | 0         | 23.7                    | 23.6        | <b>23.8</b> | 23.0        | 23.1        | 23.0        | 23.6  | 23.8        | <b>23.9</b> | 23.1        | 23.1        | <b>23.2</b> |      |
|                 |            | 1             | 12        | 23.7                    | 23.6        | 23.7        | 23.0        | 23.1        | <b>23.2</b> | 23.7  | 23.7        | 23.9        | 23.1        | 23.1        | 23.2        |      |
|                 |            | 1             | 24        | 23.7                    | 23.5        | 23.7        | 23.0        | 23.1        | 23.0        | 23.6  | 23.7        | 23.8        | 23.1        | 23.2        | 23.2        |      |
|                 | 64QAM      | 12            | 0         | 22.3                    | 22.3        | 22.2        | 21.8        | 21.7        | 21.6        | 22.4  | 22.5        | 22.5        | 21.8        | 21.7        | 21.9        |      |
|                 |            | 12            | 6         | 22.3                    | 22.3        | 22.2        | 21.8        | 21.8        | 21.6        | 22.4  | 22.5        | 22.5        | 21.8        | 21.7        | 21.9        |      |
|                 |            | 12            | 11        | 22.3                    | 22.3        | 22.2        | 21.9        | 21.8        | 21.6        | 22.4  | 22.5        | 22.5        | 21.8        | 21.7        | 21.9        |      |
|                 |            | 25            | 0         | 22.4                    | 22.3        | 22.3        | 21.8        | 21.8        | 21.6        | 22.4  | 22.5        | 22.4        | 21.7        | 21.7        | 21.9        |      |
|                 |            | 1             | 0         | 22.2                    | 22.4        | <b>22.5</b> | 21.8        | 21.7        | 21.8        | 22.3  | 22.6        | 22.2        | 21.8        | 21.7        | 22.0        |      |
|                 | 256QAM     | 1             | 12        | 22.1                    | 22.4        | 22.4        | <b>21.9</b> | 21.7        | 21.7        | 22.2  | 22.6        | <b>22.7</b> | 21.8        | 21.7        | <b>22.0</b> |      |
|                 |            | 1             | 24        | 22.2                    | 22.4        | 22.4        | 21.8        | 21.7        | 21.8        | 22.4  | 22.7        | 22.7        | 21.8        | 21.8        | 22.0        |      |
|                 |            | 12            | 0         | 21.3                    | 21.3        | 21.2        | 20.8        | 20.8        | 20.7        | 21.4  | 21.4        | 21.5        | 20.7        | 20.8        | 20.8        |      |
|                 |            | 12            | 6         | 21.3                    | 21.2        | 21.2        | 20.8        | 20.8        | 20.7        | 21.4  | 21.4        | 21.5        | 20.7        | 20.7        | 20.8        |      |
|                 |            | 12            | 11        | 21.3                    | 21.3        | 21.2        | 20.8        | 20.8        | 20.7        | 21.4  | 21.4        | 21.5        | 20.7        | 20.7        | 20.8        |      |
|                 | 5.0        | 256QAM        | 25        | 0                       | 21.3        | 21.2        | 21.2        | 20.8        | 20.8        | 20.7  | 21.4        | 21.5        | 21.5        | 20.7        | 20.7        | 20.8 |
|                 |            |               | 1         | 0                       | 19.4        | 19.3        | 19.5        | 18.9        | 18.7        | 18.8  | 19.3        | 19.5        | <b>19.6</b> | 18.7        | 18.7        | 18.8 |
|                 |            |               | 1         | 12                      | 19.3        | 19.2        | 19.4        | <b>18.9</b> | 18.7        | 18.8  | 19.3        | 19.4        | 19.5        | 18.6        | 18.6        | 18.8 |
|                 |            |               | 1         | 24                      | 19.3        | 19.3        | <b>19.5</b> | 18.9        | 18.7        | 18.7  | 19.3        | 19.5        | 19.6        | 18.7        | 18.6        | 18.8 |
|                 |            |               | 12        | 0                       | 19.3        | 19.3        | 19.2        | 18.9        | 18.8        | 18.7  | 19.4        | 19.4        | 19.5        | 18.6        | 18.6        | 18.8 |
| 12              |            | 6             | 19.3      | 19.3                    | 19.2        | 18.9        | 18.8        | 18.7        | 19.3        | 19.4  | 19.4        | 18.6        | 18.6        | 18.8        |             |      |
| 12              |            | 11            | 19.2      | 19.3                    | 19.2        | 18.9        | 18.8        | 18.7        | 19.3        | 19.4  | 19.4        | 18.6        | 18.6        | 18.8        |             |      |
| 25              |            | 0             | 19.3      | 19.2                    | 19.1        | 18.9        | 18.8        | 18.7        | 19.4        | 19.5  | 19.4        | 18.7        | 18.7        | <b>18.8</b> |             |      |

**OUTPUT POWER FOR LTE BAND 25 (10.0 MHz)**

| Bandwidth (MHz) | Modulation | RB Allocation | RB Offset | Conducted Average (dBm) |             |             |             |             |             |             |             |             |       |             |             |      |
|-----------------|------------|---------------|-----------|-------------------------|-------------|-------------|-------------|-------------|-------------|-------------|-------------|-------------|-------|-------------|-------------|------|
|                 |            |               |           | ANT 2                   |             |             | ANT 0       |             |             | ANT 1       |             |             | ANT 5 |             |             |      |
|                 |            |               |           | 26090                   | 26365       | 26640       | 26090       | 26365       | 26640       | 26090       | 26365       | 26640       | 26090 | 26365       | 26640       |      |
| 10.0            | QPSK       | 1             | 0         | 24.3                    | <b>24.8</b> | 24.2        | 23.8        | 23.8        | 23.7        | 24.4        | <b>24.5</b> | <b>24.5</b> | 23.8  | 23.8        | 23.9        |      |
|                 |            | 1             | 24        | 24.4                    | 24.3        | 24.1        | 23.8        | 23.8        | 23.6        | 24.4        | 24.4        | 24.5        | 23.8  | <b>24.0</b> | 24.0        |      |
|                 |            | 1             | 49        | 24.3                    | 24.3        | 24.1        | <b>23.8</b> | 23.8        | 23.7        | 24.4        | 24.5        | 24.4        | 23.7  | 23.8        | 23.8        |      |
|                 |            | 25            | 0         | 23.3                    | 23.3        | 23.2        | 22.8        | 22.8        | 22.7        | 23.5        | 23.5        | 23.4        | 22.7  | 22.8        | 22.9        |      |
|                 |            | 25            | 12        | 23.3                    | 23.2        | 23.2        | 22.8        | 22.7        | 22.7        | 23.4        | 23.5        | 23.4        | 22.7  | 22.8        | 22.9        |      |
|                 | 16QAM      | 25            | 24        | 23.3                    | 23.2        | 23.1        | 22.8        | 22.7        | 22.7        | 23.4        | 23.4        | 23.4        | 22.7  | 22.8        | 22.8        |      |
|                 |            | 50            | 0         | 23.3                    | 23.2        | 23.2        | 22.8        | 22.7        | 22.7        | 23.4        | 23.5        | 23.4        | 22.7  | 22.8        | 22.9        |      |
|                 |            | 1             | 0         | 23.5                    | 23.5        | 23.6        | 22.9        | 23.0        | 23.0        | 23.8        | 23.8        | 23.6        | 22.9  | 23.0        | 23.1        |      |
|                 |            | 1             | 24        | <b>23.8</b>             | 23.6        | 23.5        | 23.0        | <b>23.1</b> | 23.0        | 23.7        | <b>23.8</b> | 23.7        | 23.0  | <b>23.1</b> | 23.1        |      |
|                 |            | 1             | 49        | 23.4                    | 23.5        | 23.4        | 22.9        | 22.9        | 22.9        | 23.7        | 23.7        | 23.5        | 22.9  | 23.0        | 23.0        |      |
|                 | 64QAM      | 25            | 0         | 22.3                    | 22.3        | 22.1        | 21.8        | 21.8        | 21.7        | 22.4        | 22.5        | 22.4        | 21.8  | 21.9        | 22.0        |      |
|                 |            | 25            | 12        | 22.3                    | 22.3        | 22.1        | 21.8        | 21.8        | 21.7        | 22.4        | 22.5        | 22.4        | 21.8  | 21.9        | 21.9        |      |
|                 |            | 25            | 24        | 22.3                    | 22.2        | 22.1        | 21.8        | 21.8        | 21.7        | 22.4        | 22.5        | 22.4        | 21.8  | 21.8        | 21.9        |      |
|                 |            | 50            | 0         | 22.3                    | 22.3        | 22.1        | 21.8        | 21.8        | 21.7        | 22.4        | 22.5        | 22.4        | 21.8  | 21.9        | 21.9        |      |
|                 |            | 1             | 0         | 22.3                    | 22.3        | 22.4        | 21.9        | 21.9        | 21.9        | 22.6        | 22.5        | 22.6        | 22.0  | 21.9        | <b>22.3</b> |      |
|                 | 256QAM     | 1             | 24        | 22.4                    | 22.4        | <b>22.5</b> | 22.0        | 22.0        | <b>22.1</b> | <b>22.7</b> | 22.6        | 22.7        | 22.0  | 22.1        | 22.2        |      |
|                 |            | 1             | 49        | 22.3                    | 22.3        | 22.3        | 21.8        | 21.8        | 21.8        | 22.5        | 22.5        | 22.6        | 22.0  | 21.9        | 22.1        |      |
|                 |            | 25            | 0         | 21.3                    | 21.3        | 21.2        | 20.9        | 20.8        | 20.8        | 21.5        | 21.5        | 21.5        | 20.7  | 20.8        | 20.8        |      |
|                 |            | 25            | 12        | 21.3                    | 21.3        | 21.1        | 20.8        | 20.8        | 20.7        | 21.4        | 21.5        | 21.4        | 20.7  | 20.8        | 20.8        |      |
|                 |            | 25            | 24        | 21.3                    | 21.2        | 21.1        | 20.8        | 20.8        | 20.7        | 21.4        | 21.5        | 21.4        | 20.7  | 20.8        | 20.8        |      |
|                 | 10.0       | 256QAM        | 50        | 0                       | 21.3        | 21.3        | 21.2        | 20.8        | 20.8        | 20.7        | 21.4        | 21.5        | 21.4  | 20.7        | 20.8        | 20.8 |
|                 |            |               | 1         | 0                       | 19.4        | <b>19.6</b> | 19.2        | 19.0        | 18.9        | 18.9        | 19.6        | 19.7        | 19.7  | 18.9        | <b>19.1</b> | 19.0 |
|                 |            |               | 1         | 24                      | 19.5        | 19.6        | 19.1        | 18.9        | 18.8        | <b>19.0</b> | 19.5        | <b>19.8</b> | 19.8  | 18.9        | 19.0        | 18.9 |
|                 |            |               | 1         | 49                      | 19.3        | 19.4        | 19.1        | 18.8        | 18.8        | 18.9        | 19.5        | 19.6        | 19.7  | 18.9        | 19.0        | 19.0 |
|                 |            |               | 25        | 0                       | 19.3        | 19.3        | 19.2        | 18.9        | 18.9        | 18.8        | 19.5        | 19.5        | 19.5  | 18.8        | 18.8        | 18.9 |
| 25              | 12         | 19.3          | 19.3      | 19.2                    | 18.9        | 18.9        | 18.8        | 19.5        | 19.5        | 19.5        | 18.7        | 18.8        | 18.9  |             |             |      |
| 25              | 24         | 19.2          | 19.2      | 19.2                    | 18.9        | 18.9        | 18.8        | 19.4        | 19.4        | 19.5        | 18.7        | 18.8        | 18.8  |             |             |      |
| 50              | 0          | 19.2          | 19.2      | 19.1                    | 18.9        | 18.8        | 18.7        | 19.4        | 19.4        | 19.5        | 18.7        | 18.8        | 18.8  |             |             |      |

**OUTPUT POWER FOR LTE BAND 25 (15.0 MHz)**

| Bandwidth (MHz) | Modulation | RB Allocation | RB Offset   | Conducted Average (dBm) |       |             |             |             |             |       |             |             |       |             |             |
|-----------------|------------|---------------|-------------|-------------------------|-------|-------------|-------------|-------------|-------------|-------|-------------|-------------|-------|-------------|-------------|
|                 |            |               |             | ANT 2                   |       |             | ANT 0       |             |             | ANT 1 |             |             | ANT 5 |             |             |
|                 |            |               |             | 26115                   | 26365 | 26615       | 26115       | 26365       | 26615       | 26115 | 26365       | 26615       | 26115 | 26365       | 26615       |
| 15.0            | QPSK       | 1             | 0           | <b>24.9</b>             | 24.3  | 24.3        | 23.8        | <b>23.9</b> | 23.8        | 24.4  | 24.5        | <b>24.5</b> | 23.8  | 23.8        | <b>23.9</b> |
|                 |            | 1             | 37          | 24.1                    | 24.3  | 24.2        | 23.6        | 23.7        | 23.5        | 24.3  | 24.4        | 24.5        | 23.6  | 23.8        | 23.9        |
|                 |            | 1             | 74          | 24.3                    | 24.3  | 24.1        | 23.7        | 23.7        | 23.6        | 24.3  | 24.4        | 24.4        | 23.7  | 23.7        | 23.7        |
|                 |            | 36            | 0           | 23.4                    | 23.3  | 23.2        | 22.8        | 22.8        | 22.7        | 23.5  | 23.5        | 23.5        | 22.7  | 22.7        | 22.7        |
|                 |            | 36            | 16          | 23.3                    | 23.3  | 23.2        | 22.8        | 22.8        | 22.7        | 23.4  | 23.5        | 23.4        | 22.7  | 22.7        | 22.7        |
|                 |            | 36            | 35          | 23.3                    | 23.2  | 23.2        | 22.8        | 22.8        | 22.7        | 23.4  | 23.5        | 23.4        | 22.6  | 22.7        | 22.7        |
|                 |            | 75            | 0           | 23.3                    | 23.3  | 23.2        | 22.8        | 22.8        | 22.7        | 23.4  | 23.5        | 23.5        | 22.7  | 22.7        | 22.7        |
|                 |            | 1             | 0           | <b>23.8</b>             | 23.6  | 23.6        | 23.2        | 23.0        | 23.0        | 23.8  | 23.8        | <b>23.9</b> | 22.9  | 23.2        | <b>23.2</b> |
|                 |            | 1             | 37          | 23.5                    | 23.5  | 23.5        | <b>23.2</b> | 23.0        | 23.1        | 23.7  | 23.8        | 23.8        | 22.9  | 23.2        | 23.1        |
|                 | 1          | 74            | 23.5        | 23.5                    | 23.4  | 23.1        | 22.9        | 22.9        | 23.7        | 23.7  | 23.7        | 22.8        | 23.1  | 23.1        |             |
|                 | 36         | 0             | 22.3        | 22.3                    | 22.2  | 21.9        | 21.7        | 21.7        | 22.4        | 22.5  | 22.5        | 21.7        | 21.8  | 21.8        |             |
|                 | 36         | 16            | 22.3        | 22.3                    | 22.2  | 21.8        | 21.7        | 21.7        | 22.4        | 22.5  | 22.4        | 21.7        | 21.8  | 21.7        |             |
|                 | 36         | 35            | 22.3        | 22.3                    | 22.1  | 21.8        | 21.7        | 21.7        | 22.4        | 22.4  | 22.4        | 21.7        | 21.7  | 21.8        |             |
|                 | 75         | 0             | 22.3        | 22.3                    | 22.2  | 21.8        | 21.8        | 21.7        | 22.5        | 22.5  | 22.5        | 21.7        | 21.8  | 21.8        |             |
|                 | 1          | 0             | <b>22.5</b> | 22.4                    | 22.4  | <b>22.1</b> | 21.8        | 21.7        | <b>22.7</b> | 22.6  | 22.7        | 21.9        | 21.9  | <b>22.0</b> |             |
|                 | 1          | 37            | 22.3        | 22.3                    | 22.2  | 22.0        | 21.7        | 21.8        | 22.5        | 22.5  | 22.6        | 21.9        | 21.8  | 21.9        |             |
|                 | 1          | 74            | 22.4        | 22.3                    | 22.3  | 22.1        | 21.8        | 21.7        | 22.7        | 22.4  | 22.6        | 21.9        | 21.8  | 21.8        |             |
|                 | 36         | 0             | 21.4        | 21.3                    | 21.2  | 20.8        | 20.8        | 20.6        | 21.4        | 21.5  | 21.5        | 20.8        | 20.8  | 20.9        |             |
|                 | 36         | 16            | 21.4        | 21.3                    | 21.1  | 20.8        | 20.7        | 20.6        | 21.4        | 21.5  | 21.5        | 20.8        | 20.8  | 20.9        |             |
|                 | 36         | 35            | 21.4        | 21.3                    | 21.1  | 20.8        | 20.7        | 20.6        | 21.4        | 21.5  | 21.5        | 20.8        | 20.8  | 20.8        |             |
|                 | 75         | 0             | 21.3        | 21.3                    | 21.2  | 20.8        | 20.8        | 20.7        | 21.4        | 21.5  | 21.4        | 20.7        | 20.8  | 20.8        |             |
|                 | 1          | 0             | <b>19.5</b> | 19.5                    | 19.2  | 18.9        | 18.9        | 19.0        | 19.6        | 19.5  | <b>19.8</b> | 19.1        | 18.9  | <b>19.8</b> |             |
|                 | 1          | 37            | 19.4        | 19.2                    | 19.0  | 18.9        | 18.9        | <b>19.1</b> | 19.5        | 19.4  | 19.6        | 19.0        | 18.9  | 18.9        |             |
|                 | 1          | 74            | 19.4        | 19.4                    | 19.1  | 18.8        | 18.8        | 18.9        | 19.5        | 19.4  | 19.6        | 19.0        | 18.9  | 19.0        |             |
|                 | 36         | 0             | 19.3        | 19.3                    | 19.2  | 18.8        | 18.8        | 18.7        | 19.4        | 19.5  | 19.5        | 18.7        | 18.8  | 18.9        |             |
|                 | 36         | 16            | 19.3        | 19.3                    | 19.1  | 18.8        | 18.7        | 18.7        | 19.4        | 19.4  | 19.5        | 18.7        | 18.8  | 18.8        |             |
|                 | 36         | 35            | 19.3        | 19.2                    | 19.1  | 18.8        | 18.8        | 18.7        | 19.3        | 19.4  | 19.4        | 18.7        | 18.8  | 18.8        |             |
|                 | 75         | 0             | 19.3        | 19.3                    | 19.1  | 18.8        | 18.8        | 18.7        | 19.4        | 19.5  | 19.5        | 18.7        | 18.8  | 18.8        |             |

**OUTPUT POWER FOR LTE BAND 25 (20.0 MHz)**

| Bandwidth (MHz) | Modulation | RB Allocation | RB Offset   | Conducted Average (dBm) |             |       |             |       |       |             |             |             |             |             |             |
|-----------------|------------|---------------|-------------|-------------------------|-------------|-------|-------------|-------|-------|-------------|-------------|-------------|-------------|-------------|-------------|
|                 |            |               |             | ANT 2                   |             |       | ANT 0       |       |       | ANT 1       |             |             | ANT 5       |             |             |
|                 |            |               |             | 26140                   | 26365       | 26590 | 26140       | 26365 | 26590 | 26140       | 26365       | 26590       | 26140       | 26365       | 26590       |
| 20.0            | QPSK       | 1             | 0           | 24.4                    | 24.4        | 24.3  | 23.9        | 23.9  | 23.8  | 24.5        | 24.5        | 24.5        | 23.8        | 23.8        | 23.9        |
|                 |            | 1             | 49          | <b>24.7</b>             | 23.8        | 24.1  | <b>24.1</b> | 24.1  | 23.3  | 24.4        | <b>24.7</b> | 24.0        | 23.3        | <b>24.0</b> | 23.7        |
|                 |            | 1             | 99          | 24.3                    | 24.2        | 24.1  | 23.8        | 23.8  | 23.6  | 24.3        | 24.4        | 24.3        | 23.7        | 23.7        | 23.7        |
|                 |            | 50            | 0           | 23.3                    | 23.3        | 23.2  | 22.8        | 22.8  | 22.7  | 23.5        | 23.5        | 23.5        | 22.7        | 22.8        | 22.8        |
|                 |            | 50            | 24          | 23.3                    | 23.2        | 23.1  | 22.8        | 22.8  | 22.7  | 23.4        | 23.4        | 23.5        | 22.7        | 22.8        | 22.8        |
|                 |            | 50            | 49          | 23.3                    | 23.2        | 23.1  | 22.8        | 22.8  | 22.6  | 23.4        | 23.4        | 23.4        | 22.7        | 22.8        | 22.8        |
|                 |            | 100           | 0           | 23.3                    | 23.3        | 23.2  | 22.8        | 22.8  | 22.7  | 23.4        | 23.5        | 23.5        | 22.7        | 22.8        | 22.8        |
|                 |            | 1             | 0           | 23.7                    | <b>23.9</b> | 23.4  | <b>23.3</b> | 23.2  | 23.1  | 23.5        | 23.9        | <b>24.0</b> | 23.1        | 23.1        | <b>23.1</b> |
|                 |            | 1             | 49          | 23.7                    | 23.6        | 23.5  | 23.2        | 23.2  | 23.0  | 23.6        | 23.9        | 23.9        | 23.0        | 22.9        | 23.1        |
|                 | 1          | 99            | 23.6        | 23.6                    | 23.2        | 23.1  | 23.2        | 23.1  | 23.5  | 23.8        | 23.8        | 23.0        | 23.0        | 22.9        |             |
|                 | 50         | 0             | 22.3        | 22.3                    | 22.2        | 21.8  | 21.8        | 21.6  | 22.4  | 22.4        | 22.5        | 21.8        | 21.8        | 21.9        |             |
|                 | 50         | 24            | 22.3        | 22.2                    | 22.1        | 21.8  | 21.7        | 21.7  | 22.4  | 22.4        | 22.5        | 21.7        | 21.8        | 21.8        |             |
|                 | 50         | 49            | 22.3        | 22.2                    | 22.1        | 21.7  | 21.7        | 21.6  | 22.4  | 22.4        | 22.4        | 21.8        | 21.8        | 21.8        |             |
|                 | 100        | 0             | 22.3        | 22.3                    | 22.1        | 21.8  | 21.8        | 21.7  | 22.4  | 22.4        | 22.5        | 21.8        | 21.8        | 21.8        |             |
|                 | 1          | 0             | 22.8        | 22.4                    | 22.5        | 22.2  | 22.2        | 21.9  | 22.6  | 22.7        | 22.8        | 22.2        | <b>22.4</b> | 22.3        |             |
|                 | 1          | 49            | <b>22.8</b> | 22.4                    | 22.4        | 21.9  | <b>22.2</b> | 21.8  | 22.6  | 22.6        | <b>22.9</b> | 22.3        | <b>22.4</b> | 22.2        |             |
|                 | 1          | 99            | 22.7        | 22.3                    | 22.3        | 22.0  | 22.0        | 21.7  | 22.5  | 22.6        | 22.7        | 22.2        | 22.4        | 22.0        |             |
|                 | 50         | 0             | 21.4        | 21.3                    | 21.2        | 20.9  | 20.8        | 20.7  | 21.5  | 21.5        | 21.5        | 20.8        | 20.9        | 20.9        |             |
|                 | 50         | 24            | 21.3        | 21.3                    | 21.2        | 20.9  | 20.8        | 20.7  | 21.4  | 21.5        | 21.5        | 20.7        | 20.9        | 20.8        |             |
|                 | 50         | 49            | 21.3        | 21.2                    | 21.1        | 20.8  | 20.8        | 20.7  | 21.4  | 21.5        | 21.4        | 20.7        | 20.8        | 20.8        |             |
|                 | 100        | 0             | 21.3        | 21.3                    | 21.1        | 20.8  | 20.8        | 20.7  | 21.4  | 21.4        | 21.5        | 20.7        | 20.9        | 20.8        |             |
|                 | 1          | 0             | <b>19.6</b> | 19.4                    | 19.4        | 18.9  | 19.0        | 18.7  | 19.7  | 19.9        | 19.9        | 19.1        | <b>19.1</b> | 18.9        |             |
|                 | 1          | 49            | 19.5        | 19.3                    | 19.5        | 19.0  | <b>19.1</b> | 18.9  | 19.6  | <b>20.0</b> | 19.7        | 19.0        | 18.9        | 18.9        |             |
|                 | 1          | 99            | 19.5        | 19.2                    | 19.3        | 18.9  | 18.9        | 18.6  | 19.6  | 19.8        | 19.7        | 19.1        | 19.1        | 18.7        |             |
|                 | 50         | 0             | 19.3        | 19.3                    | 19.2        | 18.9  | 18.8        | 18.7  | 19.5  | 19.5        | 19.5        | 18.7        | 18.8        | 18.9        |             |
|                 | 50         | 24            | 19.3        | 19.2                    | 19.2        | 18.9  | 18.8        | 18.7  | 19.4  | 19.5        | 19.5        | 18.7        | 18.8        | 18.8        |             |
|                 | 50         | 49            | 19.3        | 19.2                    | 19.2        | 18.9  | 18.8        | 18.7  | 19.4  | 19.5        | 19.4        | 18.7        | 18.8        | 18.8        |             |
|                 | 100        | 0             | 19.3        | 19.2                    | 19.2        | 18.9  | 18.8        | 18.7  | 19.4  | 19.5        | 19.5        | 18.7        | 18.8        | 18.8        |             |

**5G NR n25**

|                   |         |            |            |
|-------------------|---------|------------|------------|
| Test Engineer ID: | 28498AC | Test Date: | 2024-02-14 |
|-------------------|---------|------------|------------|

**OUTPUT POWER FOR 5G NR n25 (5.0 MHz)**

| Bandwidth (MHz) | Modulation | RB Allocation | RB Offset | Conducted Average (dBm) |        |        |        |        |        |        |        |        |        |        |        |
|-----------------|------------|---------------|-----------|-------------------------|--------|--------|--------|--------|--------|--------|--------|--------|--------|--------|--------|
|                 |            |               |           | ANT 2                   |        |        | ANT 0  |        |        | ANT 1  |        |        | ANT 5  |        |        |
|                 |            |               |           | 370500                  | 376500 | 382500 | 370500 | 376500 | 382500 | 370500 | 376500 | 382500 | 370500 | 376500 | 382500 |
| 5.0             | BPSK       | 1             | 0         | 23.9                    | 23.7   | 23.5   | 22.8   | 22.8   | 22.7   | 24.4   | 24.2   | 23.9   | 22.2   | 21.8   | 21.6   |
|                 |            | 1             | 1         | 24.9                    | 24.2   | 24.3   | 23.4   | 23.4   | 23.3   | 24.7   | 24.4   | 24.1   | 22.9   | 22.2   | 22.5   |
|                 |            | 1             | 23        | 24.2                    | 24.1   | 24.2   | 23.4   | 23.3   | 23.2   | 24.7   | 24.3   | 24.4   | 22.8   | 22.3   | 22.5   |
|                 |            | 1             | 24        | 23.8                    | 23.6   | 23.6   | 22.7   | 22.8   | 22.6   | 24.5   | 24.1   | 24.1   | 22.4   | 21.8   | 22.0   |
|                 |            | 12            | 6         | 24.2                    | 24.2   | 24.0   | 23.2   | 23.2   | 23.1   | 24.7   | 24.5   | 24.3   | 22.6   | 22.3   | 22.4   |
|                 |            | 25            | 0         | 23.8                    | 23.7   | 23.6   | 22.7   | 22.6   | 22.6   | 24.4   | 24.2   | 24.0   | 22.1   | 21.8   | 21.9   |
|                 |            | 1             | 0         | 23.7                    | 22.9   | 23.1   | 22.3   | 22.4   | 22.3   | 24.1   | 23.7   | 23.4   | 21.6   | 21.2   | 21.1   |
|                 |            | 1             | 1         | 24.2                    | 24.3   | 24.0   | 23.2   | 23.0   | 22.9   | 24.8   | 24.5   | 24.3   | 22.7   | 22.2   | 22.3   |
|                 |            | 1             | 23        | 24.2                    | 24.0   | 24.2   | 23.3   | 23.4   | 23.2   | 24.7   | 24.4   | 24.3   | 22.7   | 22.5   | 22.4   |
|                 | 1          | 24            | 23.3      | 23.4                    | 23.3   | 22.3   | 22.6   | 22.1   | 23.9   | 23.6   | 23.4   | 21.5   | 21.4   | 21.4   |        |
|                 | 12         | 6             | 24.3      | 24.3                    | 24.0   | 23.3   | 23.2   | 23.1   | 24.8   | 24.5   | 24.3   | 22.6   | 22.3   | 22.4   |        |
|                 | 25         | 0             | 23.3      | 23.2                    | 23.0   | 22.2   | 22.2   | 22.1   | 23.9   | 23.6   | 23.5   | 21.6   | 21.3   | 21.4   |        |
|                 | 1          | 0             | 22.4      | 21.8                    | 22.6   | 21.4   | 21.4   | 21.5   | 23.0   | 22.5   | 22.4   | 20.6   | 20.2   | 20.2   |        |
|                 | 1          | 1             | 23.3      | 23.7                    | 23.3   | 22.1   | 22.3   | 21.7   | 24.0   | 23.5   | 23.5   | 21.6   | 21.2   | 21.3   |        |
|                 | 1          | 23            | 23.6      | 22.8                    | 23.3   | 22.2   | 22.3   | 22.6   | 24.0   | 23.4   | 23.4   | 21.6   | 21.2   | 21.3   |        |
|                 | 1          | 24            | 22.9      | 22.3                    | 22.6   | 21.3   | 21.0   | 21.5   | 22.9   | 22.4   | 22.4   | 20.6   | 20.3   | 20.4   |        |
|                 | 12         | 6             | 23.2      | 23.1                    | 23.2   | 22.5   | 22.1   | 22.0   | 23.9   | 23.6   | 23.5   | 21.6   | 21.3   | 21.4   |        |
|                 | 25         | 0             | 22.2      | 22.2                    | 22.0   | 21.3   | 21.2   | 21.1   | 22.9   | 22.7   | 22.5   | 20.7   | 20.3   | 20.3   |        |
|                 | 1          | 0             | 21.8      | 22.3                    | 21.8   | 20.9   | 20.9   | 20.1   | 22.5   | 22.1   | 22.2   | 20.0   | 19.8   | 19.8   |        |
|                 | 1          | 1             | 21.2      | 22.0                    | 22.1   | 20.1   | 20.8   | 20.6   | 22.5   | 22.2   | 22.2   | 20.1   | 19.8   | 19.9   |        |
|                 | 1          | 23            | 21.2      | 21.7                    | 22.0   | 20.5   | 20.7   | 20.2   | 22.5   | 22.1   | 22.0   | 20.2   | 19.8   | 19.8   |        |
|                 | 1          | 24            | 21.7      | 21.5                    | 22.0   | 20.9   | 20.8   | 21.0   | 22.4   | 22.1   | 22.1   | 20.2   | 20.1   | 20.0   |        |
|                 | 12         | 6             | 21.5      | 21.7                    | 21.3   | 21.0   | 20.7   | 20.7   | 22.3   | 22.1   | 22.0   | 20.1   | 19.7   | 19.8   |        |
|                 | 25         | 0             | 21.8      | 21.6                    | 21.6   | 20.6   | 20.8   | 20.6   | 22.4   | 22.1   | 22.0   | 20.1   | 19.7   | 19.8   |        |
|                 | 1          | 0             | 19.9      | 20.4                    | 19.7   | 19.1   | 18.6   | 19.1   | 20.4   | 20.2   | 20.0   | 18.2   | 17.7   | 17.8   |        |
|                 | 1          | 1             | 19.8      | 19.6                    | 19.6   | 18.5   | 19.6   | 19.0   | 20.4   | 20.2   | 19.9   | 18.0   | 17.7   | 17.8   |        |
|                 | 1          | 23            | 20.4      | 19.5                    | 19.9   | 19.2   | 18.1   | 19.1   | 20.3   | 20.1   | 20.0   | 18.2   | 17.6   | 17.7   |        |
|                 | 1          | 24            | 19.3      | 19.4                    | 20.0   | 19.1   | 19.0   | 19.1   | 20.3   | 20.1   | 19.9   | 18.2   | 17.7   | 17.7   |        |
|                 | 12         | 6             | 19.8      | 19.7                    | 19.7   | 18.8   | 18.8   | 18.8   | 20.2   | 20.1   | 20.1   | 18.0   | 17.8   | 17.9   |        |
|                 | 25         | 0             | 19.9      | 19.7                    | 19.7   | 18.9   | 18.7   | 18.6   | 20.3   | 20.1   | 19.9   | 18.0   | 17.8   | 17.8   |        |

**OUTPUT POWER FOR 5G NR n25 (10.0 MHz)**

| Bandwidth (MHz) | Modulation | RB Allocation | RB Offset | Conducted Average (dBm) |        |        |        |        |        |        |        |        |        |        |        |
|-----------------|------------|---------------|-----------|-------------------------|--------|--------|--------|--------|--------|--------|--------|--------|--------|--------|--------|
|                 |            |               |           | ANT 2                   |        |        | ANT 0  |        |        | ANT 1  |        |        | ANT 5  |        |        |
|                 |            |               |           | 371000                  | 376500 | 382000 | 371000 | 376500 | 382000 | 371000 | 376500 | 382000 | 371000 | 376500 | 382000 |
| 10.0            | BPSK       | 1             | 0         | 24.0                    | 23.8   | 23.6   | 22.9   | 23.0   | 22.6   | 24.4   | 24.4   | 24.0   | 22.2   | 21.8   | 21.9   |
|                 |            | 1             | 1         | 24.4                    | 24.2   | 23.9   | 23.5   | 23.4   | 23.1   | 24.7   | 24.6   | 24.4   | 22.7   | 22.4   | 22.7   |
|                 |            | 1             | 50        | 24.8                    | 24.2   | 24.0   | 23.4   | 23.4   | 23.0   | 24.7   | 24.6   | 24.3   | 22.7   | 22.3   | 22.7   |
|                 |            | 1             | 51        | 23.9                    | 23.9   | 23.5   | 22.9   | 22.6   | 22.4   | 24.4   | 24.3   | 24.0   | 22.2   | 21.9   | 22.1   |
|                 |            | 25            | 12        | 24.3                    | 24.3   | 24.1   | 23.3   | 23.2   | 23.1   | 24.6   | 24.5   | 24.3   | 22.6   | 22.2   | 22.4   |
|                 |            | 50            | 0         | 23.8                    | 23.7   | 23.5   | 22.8   | 22.8   | 22.7   | 24.3   | 24.2   | 24.0   | 22.1   | 21.8   | 22.0   |
|                 |            | 1             | 0         | 23.7                    | 23.1   | 22.7   | 22.5   | 22.4   | 22.1   | 24.1   | 23.7   | 23.7   | 21.4   | 21.4   | 21.6   |
|                 |            | 1             | 1         | 24.7                    | 24.1   | 23.8   | 23.5   | 23.5   | 23.2   | 24.6   | 24.6   | 24.5   | 22.6   | 22.5   | 22.7   |
|                 |            | 1             | 50        | 24.1                    | 24.0   | 24.0   | 23.2   | 23.4   | 22.8   | 24.7   | 24.5   | 24.4   | 22.6   | 22.1   | 22.7   |
|                 | 1          | 51            | 23.1      | 23.2                    | 23.0   | 22.2   | 22.2   | 22.0   | 23.9   | 23.6   | 23.6   | 21.4   | 21.2   | 21.7   |        |
|                 | 25         | 12            | 24.2      | 24.2                    | 24.1   | 23.3   | 23.3   | 23.2   | 24.7   | 24.4   | 24.3   | 22.6   | 22.2   | 22.5   |        |
|                 | 50         | 0             | 23.2      | 23.2                    | 23.0   | 22.3   | 22.1   | 22.1   | 23.9   | 23.6   | 23.5   | 21.6   | 21.4   | 21.5   |        |
|                 | 1          | 0             | 22.5      | 22.1                    | 21.9   | 20.8   | 21.3   | 20.9   | 22.6   | 22.8   | 22.2   | 20.9   | 20.7   | 20.8   |        |
|                 | 1          | 1             | 23.3      | 23.1                    | 22.9   | 21.8   | 22.4   | 22.5   | 23.8   | 23.8   | 23.7   | 21.5   | 21.6   | 21.6   |        |
|                 | 1          | 50            | 23.1      | 23.1                    | 23.0   | 22.0   | 21.9   | 22.2   | 24.0   | 23.8   | 23.6   | 21.5   | 21.5   | 21.6   |        |
|                 | 1          | 51            | 22.4      | 22.2                    | 21.6   | 21.6   | 21.4   | 22.0   | 22.6   | 22.7   | 22.2   | 20.4   | 20.5   | 20.6   |        |
|                 | 25         | 12            | 23.4      | 23.2                    | 22.9   | 22.3   | 22.2   | 22.2   | 23.9   | 23.7   | 23.5   | 21.6   | 21.5   | 21.5   |        |
|                 | 50         | 0             | 22.3      | 22.1                    | 22.0   | 21.3   | 21.3   | 21.2   | 22.8   | 22.7   | 22.5   | 20.5   | 20.4   | 20.4   |        |
|                 | 1          | 0             | 21.5      | 21.6                    | 21.2   | 20.9   | 20.7   | 20.8   | 22.5   | 22.2   | 21.8   | 20.6   | 20.1   | 19.6   |        |
|                 | 1          | 1             | 21.5      | 22.0                    | 20.8   | 20.7   | 20.8   | 20.3   | 22.7   | 22.5   | 22.0   | 20.5   | 20.6   | 20.0   |        |
|                 | 1          | 50            | 21.8      | 21.5                    | 21.0   | 20.8   | 20.9   | 21.2   | 22.4   | 21.4   | 22.0   | 20.3   | 20.1   | 20.2   |        |
|                 | 1          | 51            | 21.6      | 21.5                    | 21.3   | 20.8   | 20.3   | 20.4   | 22.3   | 22.4   | 22.1   | 20.3   | 20.6   | 20.1   |        |
|                 | 25         | 12            | 21.7      | 21.7                    | 21.5   | 20.8   | 20.7   | 20.6   | 22.4   | 22.1   | 21.9   | 20.1   | 20.0   | 19.9   |        |
|                 | 50         | 0             | 21.8      | 21.7                    | 21.6   | 20.9   | 20.7   | 20.6   | 22.4   | 22.2   | 21.9   | 20.0   | 20.0   | 19.9   |        |
|                 | 1          | 0             | 20.4      | 19.5                    | 19.2   | 19.2   | 19.0   | 18.7   | 20.4   | 20.2   | 19.8   | 18.0   | 18.0   | 18.1   |        |
|                 | 1          | 1             | 20.3      | 19.6                    | 19.1   | 18.9   | 18.9   | 18.5   | 20.4   | 20.2   | 19.8   | 18.1   | 18.1   | 18.1   |        |
|                 | 1          | 50            | 20.1      | 19.5                    | 18.4   | 19.0   | 18.3   | 18.3   | 20.6   | 20.1   | 20.1   | 18.0   | 18.0   | 18.4   |        |
|                 | 1          | 51            | 20.1      | 19.5                    | 19.4   | 19.0   | 18.8   | 18.6   | 20.1   | 20.3   | 20.0   | 18.0   | 17.9   | 18.4   |        |
|                 | 25         | 12            | 19.8      | 19.7                    | 19.5   | 18.8   | 18.7   | 18.8   | 20.3   | 20.2   | 20.0   | 18.0   | 17.9   | 17.9   |        |
|                 | 50         | 0             | 19.9      | 19.6                    | 19.6   | 18.9   | 18.8   | 18.8   | 20.3   | 20.1   | 19.9   | 18.0   | 17.9   | 17.9   |        |

**OUTPUT POWER FOR 5G NR n25 (15.0 MHz)**

| Bandwidth (MHz) | Modulation | RB Allocation | RB Offset | Conducted Average (dBm) |             |        |             |        |        |             |             |        |             |        |        |
|-----------------|------------|---------------|-----------|-------------------------|-------------|--------|-------------|--------|--------|-------------|-------------|--------|-------------|--------|--------|
|                 |            |               |           | ANT 2                   |             |        | ANT 0       |        |        | ANT 1       |             |        | ANT 5       |        |        |
|                 |            |               |           | 371500                  | 376500      | 381500 | 371500      | 376500 | 381500 | 371500      | 376500      | 381500 | 371500      | 376500 | 381500 |
| 15.0            | BPSK       | 1             | 0         | 23.9                    | 23.8        | 23.5   | 23.1        | 23.0   | 22.7   | 24.5        | 24.1        | 23.9   | 22.3        | 21.9   | 21.9   |
|                 |            | 1             | 1         | <b>24.8</b>             | 24.3        | 24.1   | 23.5        | 23.5   | 23.3   | <b>24.8</b> | 24.4        | 24.5   | <b>22.8</b> | 22.5   | 22.4   |
|                 |            | 1             | 77        | 24.4                    | 24.2        | 24.0   | <b>23.6</b> | 23.5   | 23.1   | 24.5        | 24.3        | 24.4   | 22.8        | 22.4   | 22.6   |
|                 |            | 1             | 78        | 23.5                    | 23.6        | 23.6   | 22.8        | 22.9   | 22.6   | 24.1        | 24.0        | 24.1   | 22.2        | 21.9   | 22.1   |
|                 |            | 36            | 18        | 24.2                    | 24.2        | 24.0   | 23.3        | 23.3   | 23.1   | 24.6        | 24.4        | 24.3   | 22.7        | 22.4   | 22.6   |
|                 |            | 75            | 0         | 23.7                    | 23.7        | 23.6   | 22.8        | 22.7   | 22.7   | 24.3        | 24.2        | 24.0   | 22.2        | 22.0   | 22.1   |
|                 | QPSK       | 1             | 0         | 23.1                    | 23.4        | 23.0   | 22.3        | 22.1   | 22.0   | 23.7        | 23.6        | 23.4   | 21.7        | 21.5   | 21.4   |
|                 |            | 1             | 1         | 24.1                    | <b>24.7</b> | 24.1   | 23.2        | 23.3   | 23.0   | 24.6        | 24.5        | 24.2   | <b>22.7</b> | 22.5   | 22.5   |
|                 |            | 1             | 77        | 24.3                    | 24.5        | 24.1   | <b>23.4</b> | 23.2   | 23.2   | 24.5        | 24.4        | 24.2   | 22.7        | 22.4   | 22.4   |
|                 |            | 1             | 78        | 23.2                    | 23.6        | 23.0   | 22.4        | 22.1   | 22.0   | 23.7        | 23.6        | 23.5   | 21.6        | 21.5   | 21.4   |
|                 |            | 36            | 18        | 24.3                    | 24.3        | 24.1   | 23.3        | 23.3   | 23.2   | <b>24.6</b> | 24.5        | 24.3   | <b>22.7</b> | 22.5   | 22.6   |
|                 |            | 75            | 0         | 23.2                    | 23.2        | 23.0   | 22.3        | 22.2   | 22.1   | 23.8        | 23.7        | 23.5   | 21.7        | 21.5   | 21.5   |
|                 | 16QAM      | 1             | 0         | 22.4                    | 22.3        | 22.2   | 21.7        | 21.0   | 21.2   | 22.8        | 22.8        | 22.4   | 20.4        | 20.5   | 20.4   |
|                 |            | 1             | 1         | 22.9                    | <b>23.3</b> | 23.2   | <b>22.7</b> | 22.1   | 22.0   | 23.9        | <b>24.0</b> | 23.4   | 21.7        | 21.4   | 21.4   |
|                 |            | 1             | 77        | 23.1                    | 23.2        | 22.8   | 22.7        | 21.9   | 22.0   | 23.8        | 24.0        | 23.3   | 21.7        | 21.6   | 21.5   |
|                 |            | 1             | 78        | 22.4                    | 22.2        | 22.1   | 21.7        | 21.0   | 21.5   | 22.8        | 22.8        | 22.3   | 20.6        | 20.5   | 20.5   |
|                 |            | 36            | 18        | 23.1                    | 23.3        | 23.0   | 22.3        | 22.3   | 22.1   | 23.9        | 23.7        | 23.6   | <b>21.8</b> | 21.5   | 21.5   |
|                 |            | 75            | 0         | 22.2                    | 22.2        | 22.1   | 21.4        | 21.3   | 21.1   | 22.8        | 22.7        | 22.5   | 20.7        | 20.4   | 20.6   |
|                 | 64QAM      | 1             | 0         | 21.8                    | 21.6        | 21.1   | 20.6        | 21.1   | 20.6   | <b>22.5</b> | 22.2        | 22.3   | 20.1        | 20.0   | 20.1   |
|                 |            | 1             | 1         | 21.8                    | 22.1        | 21.2   | 20.5        | 20.9   | 21.0   | 22.4        | 22.1        | 22.3   | 20.1        | 20.0   | 20.1   |
|                 |            | 1             | 77        | 21.4                    | <b>22.1</b> | 21.3   | <b>21.5</b> | 20.8   | 20.9   | 22.4        | 22.1        | 22.2   | 20.1        | 19.9   | 20.1   |
|                 |            | 1             | 78        | 22.0                    | 21.6        | 21.2   | 21.3        | 20.8   | 21.1   | 22.4        | 22.1        | 22.1   | 20.1        | 19.9   | 20.1   |
|                 |            | 36            | 18        | 21.8                    | 21.6        | 21.5   | 20.8        | 20.8   | 20.6   | 22.3        | 22.1        | 22.0   | <b>20.2</b> | 19.9   | 20.0   |
|                 |            | 75            | 0         | 21.8                    | 21.8        | 21.5   | 20.7        | 20.8   | 20.7   | 22.4        | 22.2        | 22.0   | <b>20.3</b> | 20.0   | 20.0   |
|                 | 256QAM     | 1             | 0         | 19.7                    | 19.9        | 19.5   | 18.9        | 18.9   | 18.6   | <b>20.6</b> | 20.3        | 19.8   | 18.1        | 18.2   | 18.0   |
|                 |            | 1             | 1         | 20.0                    | <b>20.1</b> | 19.5   | 18.4        | 18.4   | 18.8   | 20.6        | 20.2        | 19.8   | 18.1        | 18.2   | 18.0   |
|                 |            | 1             | 77        | 19.8                    | 19.8        | 19.9   | <b>19.0</b> | 18.9   | 18.8   | 20.6        | 20.3        | 19.7   | 18.0        | 17.9   | 18.0   |
|                 |            | 1             | 78        | 19.6                    | 20.0        | 19.7   | 18.5        | 18.3   | 18.7   | 20.5        | 20.3        | 19.7   | 18.0        | 18.1   | 18.1   |
|                 |            | 36            | 18        | 19.7                    | 19.8        | 19.5   | 18.8        | 18.8   | 18.7   | 20.4        | 20.2        | 20.0   | <b>18.2</b> | 17.9   | 18.0   |
|                 |            | 75            | 0         | 19.7                    | 19.7        | 19.5   | 18.8        | 18.7   | 18.6   | 20.4        | 20.2        | 20.2   | 18.2        | 17.9   | 18.0   |

**OUTPUT POWER FOR 5G NR n25 (20.0 MHz)**

| Bandwidth (MHz) | Modulation | RB Allocation | RB Offset | Conducted Average (dBm) |             |        |             |        |             |             |             |        |             |        |             |
|-----------------|------------|---------------|-----------|-------------------------|-------------|--------|-------------|--------|-------------|-------------|-------------|--------|-------------|--------|-------------|
|                 |            |               |           | ANT 2                   |             |        | ANT 0       |        |             | ANT 1       |             |        | ANT 5       |        |             |
|                 |            |               |           | 372000                  | 376500      | 381000 | 372000      | 376500 | 381000      | 372000      | 376500      | 381000 | 372000      | 376500 | 381000      |
| 20.0            | BPSK       | 1             | 0         | 23.8                    | 23.6        | 23.3   | 22.8        | 22.7   | 22.7        | 24.4        | 24.2        | 23.9   | 22.2        | 22.0   | 21.8        |
|                 |            | 1             | 1         | 24.2                    | 24.1        | 23.9   | 23.4        | 23.2   | 23.2        | <b>24.7</b> | 24.2        | 24.2   | 22.7        | 22.3   | 22.3        |
|                 |            | 1             | 104       | <b>24.8</b>             | 24.0        | 23.9   | <b>23.4</b> | 23.0   | 23.2        | 24.6        | 24.2        | 24.2   | 22.5        | 22.2   | 22.5        |
|                 |            | 1             | 105       | 23.7                    | 23.5        | 23.4   | 22.6        | 22.6   | 22.6        | 24.3        | 23.9        | 23.9   | 22.0        | 21.7   | 22.1        |
|                 |            | 50            | 25        | 24.2                    | 24.2        | 24.2   | 23.3        | 23.2   | 23.0        | 24.6        | 24.5        | 24.4   | <b>22.7</b> | 22.4   | 22.6        |
|                 |            | 100           | 0         | 23.7                    | 23.7        | 23.5   | 22.8        | 22.8   | 22.6        | 24.3        | 24.1        | 24.0   | 22.2        | 21.9   | 22.1        |
|                 | QPSK       | 1             | 0         | 23.3                    | 23.1        | 23.3   | 22.5        | 22.1   | 22.1        | 23.8        | 23.7        | 23.6   | 21.7        | 21.6   | 21.5        |
|                 |            | 1             | 1         | <b>24.4</b>             | 24.1        | 24.2   | 23.0        | 23.1   | 23.0        | <b>24.6</b> | 24.5        | 24.4   | <b>22.8</b> | 22.5   | 22.5        |
|                 |            | 1             | 104       | 24.2                    | 24.0        | 24.0   | <b>23.5</b> | 23.2   | 22.9        | 24.6        | 24.4        | 24.3   | 22.6        | 22.4   | 22.5        |
|                 |            | 1             | 105       | 23.1                    | 23.0        | 23.2   | 22.3        | 22.1   | 22.1        | 23.6        | 23.6        | 23.4   | 21.5        | 21.4   | 21.5        |
|                 |            | 50            | 25        | 24.2                    | 24.2        | 24.0   | 23.2        | 23.3   | 23.1        | 24.6        | 24.4        | 24.3   | 22.7        | 22.4   | 22.5        |
|                 |            | 100           | 0         | 23.3                    | 23.2        | 23.0   | 22.3        | 22.2   | 22.1        | 23.8        | 23.7        | 23.5   | 21.7        | 21.4   | 21.6        |
|                 | 16QAM      | 1             | 0         | 22.3                    | 22.1        | 22.2   | 21.4        | 21.2   | 20.6        | 22.8        | 22.6        | 22.6   | 20.7        | 20.3   | 20.3        |
|                 |            | 1             | 1         | <b>23.5</b>             | 23.1        | 23.0   | 22.0        | 22.2   | 22.0        | <b>23.9</b> | 23.5        | 23.6   | 21.7        | 21.4   | 21.6        |
|                 |            | 1             | 104       | 23.4                    | 23.2        | 23.0   | 22.2        | 22.1   | <b>22.4</b> | 23.7        | 23.6        | 23.6   | 21.6        | 21.4   | 21.4        |
|                 |            | 1             | 105       | 22.3                    | 22.1        | 22.6   | 21.3        | 21.0   | 21.0        | 22.6        | 22.5        | 22.4   | 20.6        | 20.5   | 20.9        |
|                 |            | 50            | 25        | 23.3                    | 23.2        | 22.9   | 22.2        | 22.0   | 22.0        | 23.9        | 23.6        | 23.6   | <b>21.7</b> | 21.4   | 21.6        |
|                 |            | 100           | 0         | 22.3                    | 22.2        | 22.0   | 21.3        | 21.3   | 21.1        | 22.8        | 22.6        | 22.5   | 20.7        | 20.4   | 20.6        |
|                 | 64QAM      | 1             | 0         | 21.5                    | 21.3        | 21.5   | 20.5        | 20.9   | 20.7        | 22.4        | 22.4        | 22.0   | 20.2        | 20.0   | 20.0        |
|                 |            | 1             | 1         | 21.6                    | 21.7        | 21.3   | 20.6        | 21.0   | 20.5        | 22.3        | <b>22.5</b> | 21.9   | <b>20.2</b> | 20.1   | 20.0        |
|                 |            | 1             | 104       | 21.8                    | 21.3        | 21.8   | 20.9        | 20.9   | 20.7        | 22.2        | 22.1        | 21.8   | 20.1        | 20.1   | 20.1        |
|                 |            | 1             | 105       | <b>22.2</b>             | 21.7        | 21.4   | <b>21.3</b> | 21.0   | 20.4        | 22.2        | 22.1        | 21.9   | 20.1        | 20.1   | 19.9        |
|                 |            | 50            | 25        | 21.8                    | 21.7        | 21.5   | 20.8        | 20.7   | 20.7        | 22.3        | 22.1        | 22.0   | 20.2        | 19.9   | 20.0        |
|                 |            | 100           | 0         | 21.7                    | 21.6        | 21.6   | 20.8        | 20.7   | 20.6        | 22.3        | 22.1        | 22.0   | 20.2        | 19.9   | 19.9        |
|                 | 256QAM     | 1             | 0         | 19.7                    | 19.5        | 19.5   | 18.9        | 18.8   | 18.6        | 20.2        | 20.2        | 20.3   | 18.0        | 18.0   | 18.1        |
|                 |            | 1             | 1         | 19.5                    | 19.7        | 19.6   | 18.6        | 18.8   | 18.8        | 20.1        | 20.3        | 20.2   | 18.1        | 18.2   | <b>18.2</b> |
|                 |            | 1             | 104       | 19.3                    | <b>19.8</b> | 19.4   | 18.8        | 18.3   | 18.8        | 20.0        | 20.2        | 20.1   | 17.9        | 18.1   | 18.1        |
|                 |            | 1             | 105       | <b>19.8</b>             | 19.6        | 19.5   | <b>18.9</b> | 18.4   | 18.9        | 20.1        | <b>20.4</b> | 20.1   | 18.0        | 18.1   | 18.1        |
|                 |            | 50            | 25        | 19.8                    | 19.7        | 19.7   | 18.9        | 18.8   | 18.5        | 20.3        | 20.1        | 20.0   | 18.1        | 17.9   | 18.0        |
|                 |            | 100           | 0         | 19.7                    | 19.8        | 19.5   | 18.7        | 18.8   | 18.6        | 20.3        | 20.1        | 20.1   | 18.1        | 17.9   | 18.1        |



**OUTPUT POWER FOR 5G NR n25 (25.0 MHz)**

| Bandwidth (MHz) | Modulation | RB Allocation | RB Offset   | Conducted Average (dBm) |             |             |             |             |             |             |        |             |             |             |        |
|-----------------|------------|---------------|-------------|-------------------------|-------------|-------------|-------------|-------------|-------------|-------------|--------|-------------|-------------|-------------|--------|
|                 |            |               |             | ANT 2                   |             |             | ANT 0       |             |             | ANT 1       |        |             | ANT 5       |             |        |
|                 |            |               |             | 372500                  | 376500      | 380500      | 372500      | 376500      | 380500      | 372500      | 376500 | 380500      | 372500      | 376500      | 380500 |
| 25.0            | BPSK       | 1             | 0           | 1862.5                  | 1882.5      | 1902.5      | 1862.5      | 1882.5      | 1902.5      | 1862.5      | 1882.5 | 1902.5      | 1862.5      | 1882.5      | 1902.5 |
|                 |            | 1             | 1           | 23.8                    | 23.7        | 23.6        | 22.8        | 22.8        | 22.8        | 24.4        | 24.2   | 24.2        | 22.2        | 22.0        | 22.0   |
|                 |            | 1             | 131         | 24.4                    | <b>24.8</b> | 24.1        | 23.3        | 23.4        | 23.2        | <b>24.8</b> | 24.5   | 24.5        | <b>22.7</b> | 22.6        | 22.5   |
|                 |            | 1             | 132         | 24.3                    | 24.1        | 24.1        | <b>23.4</b> | 23.2        | 23.2        | 24.5        | 24.4   | 24.4        | 22.6        | 22.6        | 22.6   |
|                 |            | 1             | 132         | 23.8                    | 23.7        | 23.6        | 22.9        | 22.6        | 22.6        | 24.2        | 24.1   | 24.0        | 22.1        | 22.0        | 22.1   |
|                 |            | 64            | 32          | 24.3                    | 24.2        | 24.0        | 23.3        | 23.2        | 23.1        | 24.6        | 24.5   | 24.4        | 22.6        | 22.5        | 22.5   |
|                 |            | 128           | 0           | 23.7                    | 23.7        | 23.6        | 22.8        | 22.8        | 22.6        | 24.3        | 24.2   | 24.1        | 22.1        | 22.0        | 22.0   |
|                 |            | 1             | 0           | 23.3                    | 23.3        | 23.2        | 22.3        | 22.2        | 22.1        | 23.9        | 23.8   | 23.6        | 21.8        | 21.5        | 21.5   |
|                 |            | 1             | 1           | 24.3                    | 24.2        | 24.1        | 23.4        | 23.3        | 23.1        | <b>24.7</b> | 24.5   | 24.5        | <b>22.8</b> | 22.5        | 22.5   |
|                 |            | 1             | 131         | <b>24.4</b>             | 24.2        | 24.2        | <b>23.5</b> | 23.2        | 23.2        | 24.5        | 24.4   | 24.3        | 22.6        | 22.6        | 22.6   |
|                 |            | 1             | 132         | 23.3                    | 23.2        | 23.0        | 22.3        | 22.3        | 22.1        | 23.7        | 23.6   | 23.5        | 21.6        | 21.6        | 21.5   |
|                 |            | 64            | 32          | 24.2                    | 24.2        | 24.1        | 23.3        | 23.2        | 23.2        | 24.6        | 24.5   | 24.4        | 22.6        | 22.5        | 22.5   |
|                 | 128        | 0             | 23.3        | 23.2                    | 23.1        | 22.3        | 22.2        | 22.2        | 23.8        | 23.6        | 23.6   | 21.6        | 21.5        | 21.5        |        |
|                 | 1          | 0             | 22.2        | 22.2                    | 22.3        | 21.6        | 21.0        | 21.0        | 22.8        | 22.6        | 22.6   | 20.7        | 20.6        | 20.5        |        |
|                 | 1          | 1             | 23.2        | <b>23.6</b>             | 23.2        | 22.4        | 22.0        | <b>22.6</b> | <b>23.9</b> | 23.7        | 23.6   | <b>21.7</b> | 21.4        | 21.5        |        |
|                 | 1          | 131           | 23.4        | 23.2                    | 23.3        | 22.2        | 22.5        | 22.1        | 23.8        | 23.6        | 23.5   | 21.5        | 21.6        | 21.6        |        |
|                 | 1          | 132           | 22.1        | 22.4                    | 22.1        | 21.2        | 21.2        | 21.3        | 22.9        | 22.7        | 22.5   | 20.6        | 20.5        | 20.5        |        |
|                 | 64         | 32            | 23.3        | 23.3                    | 23.1        | 22.3        | 22.3        | 22.1        | 23.8        | 23.7        | 23.5   | 21.6        | 21.5        | 21.5        |        |
|                 | 128        | 0             | 22.4        | 22.3                    | 22.1        | 21.4        | 21.3        | 21.2        | 22.8        | 22.6        | 22.5   | 20.6        | 20.4        | 20.5        |        |
|                 | 1          | 0             | 21.7        | 21.8                    | 21.8        | 20.8        | 20.7        | 20.6        | <b>22.4</b> | 22.0        | 22.0   | 20.1        | 20.0        | 19.9        |        |
|                 | 1          | 1             | 22.0        | 21.7                    | 21.5        | 20.7        | 20.9        | 20.7        | 22.4        | 22.1        | 22.0   | 20.1        | 20.0        | 20.0        |        |
|                 | 1          | 131           | <b>22.0</b> | 21.8                    | 21.8        | 20.8        | 20.6        | <b>20.9</b> | 22.2        | 22.0        | 22.0   | 20.1        | 20.0        | <b>20.3</b> |        |
|                 | 1          | 132           | 21.9        | 21.4                    | 21.5        | 20.8        | 20.5        | 20.8        | 22.3        | 22.1        | 22.0   | 20.2        | 20.0        | 20.0        |        |
|                 | 64         | 32            | 21.8        | 21.7                    | 21.5        | 20.8        | 20.7        | 20.6        | 22.3        | 22.2        | 22.0   | 20.1        | 20.0        | 20.0        |        |
|                 | 128        | 0             | 21.8        | 21.7                    | 21.5        | 20.8        | 20.7        | 20.7        | 22.3        | 22.2        | 22.0   | 20.1        | 19.9        | 20.0        |        |
|                 | 1          | 0             | 19.9        | 19.6                    | 19.9        | 18.9        | 18.8        | 18.6        | 20.3        | 20.3        | 20.0   | 18.1        | 18.1        | 17.9        |        |
|                 | 1          | 1             | 19.5        | 19.5                    | 19.8        | 18.8        | 18.9        | 18.6        | 20.3        | 20.1        | 20.0   | <b>18.2</b> | 18.1        | 17.9        |        |
|                 | 1          | 131           | 19.9        | 19.4                    | 19.6        | 18.9        | 18.6        | 18.6        | 20.2        | 20.1        | 19.9   | 18.1        | 18.1        | 18.0        |        |
|                 | 1          | 132           | <b>19.9</b> | 19.3                    | 19.4        | <b>18.9</b> | 18.7        | 18.4        | 20.1        | 20.1        | 19.9   | 18.0        | 18.0        | 18.0        |        |
|                 | 64         | 32            | 19.8        | 19.8                    | 19.6        | 18.9        | 18.8        | 18.7        | <b>20.3</b> | 20.1        | 20.0   | 18.1        | 17.9        | 18.0        |        |
|                 | 128        | 0             | 19.8        | 19.7                    | 19.6        | 18.8        | 18.8        | 18.7        | 20.3        | 20.2        | 20.0   | 18.0        | 17.9        | 18.0        |        |

**OUTPUT POWER FOR 5G NR n25 (30.0 MHz)**

| Bandwidth (MHz) | Modulation | RB Allocation | RB Offset   | Conducted Average (dBm) |        |             |             |        |             |             |        |             |             |        |        |
|-----------------|------------|---------------|-------------|-------------------------|--------|-------------|-------------|--------|-------------|-------------|--------|-------------|-------------|--------|--------|
|                 |            |               |             | ANT 2                   |        |             | ANT 0       |        |             | ANT 1       |        |             | ANT 5       |        |        |
|                 |            |               |             | 373000                  | 376500 | 380000      | 373000      | 376500 | 380000      | 373000      | 376500 | 380000      | 373000      | 376500 | 380000 |
| 30.0            | BPSK       | 1             | 0           | 1865.0                  | 1882.5 | 1900.0      | 1865.0      | 1882.5 | 1900.0      | 1865.0      | 1882.5 | 1900.0      | 1865.0      | 1882.5 | 1900.0 |
|                 |            | 1             | 1           | 23.8                    | 23.7   | 23.7        | 22.8        | 22.7   | 24.3        | 24.2        | 24.1   | 22.2        | 22.1        | 22.0   |        |
|                 |            | 1             | 158         | 24.3                    | 24.2   | 24.2        | 23.3        | 23.3   | 23.2        | <b>24.6</b> | 24.5   | 24.4        | 22.7        | 22.6   | 22.5   |
|                 |            | 1             | 159         | 24.2                    | 24.0   | 24.0        | 23.3        | 23.1   | 23.1        | 24.4        | 24.4   | 24.3        | 22.5        | 22.6   | 22.6   |
|                 |            | 1             | 159         | 23.7                    | 23.6   | 23.5        | 22.8        | 22.6   | 22.5        | 24.1        | 24.1   | 24.0        | 22.0        | 22.1   | 22.1   |
|                 |            | 80            | 40          | <b>24.7</b>             | 24.2   | 24.1        | <b>23.4</b> | 23.3   | 23.3        | 24.6        | 24.5   | 24.4        | <b>22.7</b> | 22.5   | 22.6   |
|                 |            | 160           | 0           | 23.7                    | 23.7   | 23.5        | 22.9        | 22.8   | 22.7        | 24.3        | 24.2   | 24.1        | 22.2        | 22.0   | 22.1   |
|                 |            | 1             | 0           | 23.2                    | 23.2   | 23.2        | 22.1        | 22.2   | 22.2        | 23.8        | 23.7   | 23.6        | 21.7        | 21.5   | 21.5   |
|                 |            | 1             | 1           | 24.1                    | 24.2   | 24.2        | 23.4        | 23.2   | 23.2        | <b>24.7</b> | 24.5   | 24.4        | <b>22.7</b> | 22.5   | 22.6   |
|                 |            | 1             | 158         | 24.2                    | 24.1   | 24.1        | 23.3        | 23.2   | 23.1        | 24.5        | 24.4   | 24.3        | 22.5        | 22.6   | 22.6   |
|                 |            | 1             | 159         | 23.2                    | 23.0   | 23.0        | 22.2        | 22.2   | 22.0        | 23.7        | 23.6   | 23.5        | 21.5        | 21.6   | 21.6   |
|                 |            | 80            | 40          | <b>24.3</b>             | 24.2   | 24.1        | <b>23.4</b> | 23.2   | 23.3        | 24.6        | 24.5   | 24.3        | 22.6        | 22.5   | 22.6   |
|                 | 160        | 0             | 23.2        | 23.2                    | 23.2   | 22.3        | 22.3        | 22.1   | 23.8        | 23.6        | 23.5   | 21.7        | 21.5        | 21.6   |        |
|                 | 1          | 0             | 22.0        | 22.4                    | 22.3   | 21.4        | 21.1        | 20.9   | 22.8        | 22.8        | 22.6   | 20.8        | 20.6        | 20.6   |        |
|                 | 1          | 1             | <b>23.5</b> | 23.1                    | 23.1   | 22.3        | 22.1        | 22.0   | <b>23.8</b> | <b>23.8</b> | 23.6   | <b>21.7</b> | 21.7        | 21.6   |        |
|                 | 1          | 158           | 23.4        | 23.2                    | 23.1   | 22.2        | 22.1        | 22.2   | 23.6        | 23.7        | 23.5   | 21.5        | 21.7        | 21.7   |        |
|                 | 1          | 159           | 22.4        | 22.0                    | 22.2   | 21.0        | 21.4        | 21.4   | 22.6        | 22.6        | 22.5   | 20.5        | 20.6        | 20.6   |        |
|                 | 80         | 40            | 23.2        | 23.2                    | 23.0   | <b>22.3</b> | 22.2        | 22.3   | 23.7        | 23.7        | 23.6   | 21.6        | 21.5        | 21.5   |        |
|                 | 160        | 0             | 22.3        | 22.1                    | 22.1   | 21.3        | 21.3        | 21.2   | 22.7        | 22.6        | 22.6   | 20.6        | 20.5        | 20.6   |        |
|                 | 1          | 0             | 21.8        | 21.5                    | 21.3   | 20.7        | 20.8        | 20.7   | 22.5        | 22.1        | 22.1   | 20.2        | 20.1        | 20.0   |        |
|                 | 1          | 1             | 21.7        | 21.7                    | 21.3   | 20.8        | 20.9        | 20.8   | <b>22.6</b> | 22.1        | 22.1   | <b>20.2</b> | 19.9        | 20.1   |        |
|                 | 1          | 158           | 21.7        | 21.3                    | 21.5   | 20.8        | 20.6        | 20.9   | 22.3        | 22.0        | 22.0   | 20.0        | 20.0        | 20.1   |        |
|                 | 1          | 159           | 21.7        | <b>21.8</b>             | 21.7   | 20.5        | 20.8        | 20.7   | 22.4        | 22.0        | 22.0   | 20.0        | 20.0        | 20.1   |        |
|                 | 80         | 40            | 21.8        | 21.8                    | 21.7   | <b>20.9</b> | 20.8        | 20.7   | 22.2        | 22.2        | 22.0   | 20.1        | 20.0        | 20.0   |        |
|                 | 160        | 0             | 21.8        | 21.8                    | 21.6   | 20.8        | 20.7        | 20.7   | 22.2        | 22.1        | 22.1   | 20.1        | 20.0        | 20.1   |        |
|                 | 1          | 0             | 19.6        | 19.5                    | 19.6   | 18.9        | 18.4        | 18.5   | 20.3        | 20.2        | 20.0   | 18.1        | 18.0        | 17.9   |        |
|                 | 1          | 1             | 19.5        | <b>20.0</b>             | 19.6   | 18.8        | 18.6        | 18.7   | <b>20.3</b> | 20.2        | 19.9   | 18.1        | 18.0        | 17.8   |        |
|                 | 1          | 158           | 19.8        | 19.6                    | 19.5   | 18.6        | 18.7        | 18.4   | 20.1        | 20.1        | 19.8   | 17.9        | 18.1        | 17.9   |        |
|                 | 1          | 159           | 19.4        | 19.6                    | 19.6   | 18.8        | 18.5        | 18.4   | 20.1        | 20.1        | 19.9   | 17.9        | 18.1        | 17.9   |        |
|                 | 80         | 40            | 19.7        | 19.7                    | 19.6   | 18.8        | 18.9        | 18.7   | 20.2        | 20.1        | 20.1   | <b>18.1</b> | 17.9        | 18.1   |        |
|                 | 160        | 0             | 19.8        | 19.7                    | 19.5   | <b>18.9</b> | 18.8        | 18.7   | 20.3        | 20.1        | 20.1   | <b>18.1</b> | 17.9        | 18.0   |        |

**OUTPUT POWER FOR 5G NR n25 (35.0 MHz)**

| Bandwidth (MHz) | Modulation | RB Allocation | RB Offset | Conducted Average (dBm) |        |        |        |        |        |        |        |        |        |        |        |
|-----------------|------------|---------------|-----------|-------------------------|--------|--------|--------|--------|--------|--------|--------|--------|--------|--------|--------|
|                 |            |               |           | ANT 2                   |        |        | ANT 0  |        |        | ANT 1  |        |        | ANT 5  |        |        |
|                 |            |               |           | 373500                  | 376500 | 379500 | 373500 | 376500 | 379500 | 373500 | 376500 | 379500 | 373500 | 376500 | 379500 |
| 35.0            | BPSK       | 1             | 0         | 1867.5                  | 1882.5 | 1897.5 | 1867.5 | 1882.5 | 1897.5 | 1867.5 | 1882.5 | 1897.5 | 1867.5 | 1882.5 | 1897.5 |
|                 |            | 1             | 1         | 23.8                    | 23.6   | 23.6   | 22.8   | 22.8   | 22.7   | 24.4   | 24.2   | 24.1   | 22.2   | 22.1   | 22.0   |
|                 |            | 1             | 186       | 24.2                    | 24.0   | 24.1   | 23.2   | 23.1   | 23.1   | 24.4   | 24.4   | 24.4   | 22.5   | 22.6   | 22.6   |
|                 |            | 1             | 187       | 23.8                    | 23.6   | 23.6   | 22.8   | 22.5   | 22.6   | 24.1   | 24.1   | 24.0   | 22.0   | 22.0   | 22.1   |
|                 |            | 90            | 45        | 24.2                    | 24.2   | 24.0   | 23.3   | 23.3   | 23.1   | 24.6   | 24.5   | 24.4   | 22.7   | 22.5   | 22.5   |
|                 |            | 180           | 0         | 23.7                    | 23.6   | 23.7   | 22.9   | 22.7   | 22.7   | 24.3   | 24.2   | 24.1   | 22.1   | 22.0   | 22.0   |
|                 |            | 1             | 0         | 23.3                    | 23.2   | 23.2   | 22.2   | 22.3   | 22.3   | 23.9   | 23.7   | 23.6   | 21.7   | 21.6   | 21.5   |
|                 |            | 1             | 1         | 24.3                    | 24.2   | 24.2   | 23.2   | 23.3   | 23.2   | 24.7   | 24.5   | 24.4   | 22.7   | 22.6   | 22.5   |
|                 |            | 1             | 186       | 24.2                    | 24.1   | 24.1   | 23.1   | 23.1   | 23.1   | 24.4   | 24.4   | 24.3   | 22.6   | 22.5   | 22.6   |
|                 | 1          | 187           | 23.2      | 23.0                    | 23.1   | 22.2   | 22.1   | 22.2   | 23.6   | 23.5   | 23.5   | 21.5   | 21.5   | 21.6   |        |
|                 | 90         | 45            | 24.3      | 24.2                    | 24.1   | 23.3   | 23.3   | 23.3   | 24.6   | 24.4   | 24.4   | 22.6   | 22.5   | 22.6   |        |
|                 | 180        | 0             | 23.2      | 23.2                    | 23.0   | 22.3   | 22.2   | 22.1   | 23.7   | 23.6   | 23.6   | 21.6   | 21.5   | 21.5   |        |
|                 | 1          | 0             | 22.4      | 22.2                    | 22.2   | 21.2   | 21.1   | 20.9   | 22.9   | 22.8   | 22.7   | 20.7   | 20.6   | 20.5   |        |
|                 | 1          | 1             | 23.2      | 23.2                    | 23.4   | 22.4   | 22.2   | 22.3   | 23.9   | 23.8   | 23.6   | 21.8   | 21.6   | 21.6   |        |
|                 | 1          | 186           | 23.2      | 23.1                    | 23.1   | 22.2   | 22.1   | 22.3   | 23.8   | 23.6   | 23.6   | 21.5   | 21.5   | 21.7   |        |
|                 | 1          | 187           | 22.3      | 22.0                    | 21.7   | 21.5   | 21.1   | 21.2   | 22.6   | 22.6   | 22.6   | 20.5   | 20.5   | 20.5   |        |
|                 | 90         | 45            | 23.3      | 23.1                    | 23.0   | 22.3   | 22.2   | 22.1   | 23.8   | 23.7   | 23.6   | 21.6   | 21.5   | 21.5   |        |
|                 | 180        | 0             | 22.1      | 22.2                    | 22.1   | 21.3   | 21.2   | 21.1   | 22.8   | 22.6   | 22.6   | 20.6   | 20.5   | 20.6   |        |
|                 | 1          | 0             | 21.5      | 21.4                    | 21.7   | 20.6   | 20.7   | 20.7   | 22.4   | 22.3   | 22.2   | 20.2   | 20.2   | 19.9   |        |
|                 | 1          | 1             | 21.5      | 21.3                    | 21.6   | 20.8   | 20.5   | 20.7   | 22.4   | 22.3   | 22.2   | 20.1   | 20.2   | 19.9   |        |
|                 | 1          | 186           | 21.3      | 21.6                    | 21.5   | 20.6   | 20.5   | 20.8   | 22.2   | 22.2   | 22.0   | 19.9   | 20.2   | 19.9   |        |
|                 | 1          | 187           | 21.3      | 21.1                    | 21.7   | 20.7   | 20.6   | 20.5   | 22.2   | 22.2   | 22.1   | 20.0   | 20.1   | 19.9   |        |
|                 | 90         | 45            | 21.8      | 21.8                    | 21.5   | 20.9   | 20.9   | 20.7   | 22.3   | 22.2   | 22.0   | 20.1   | 20.0   | 20.1   |        |
|                 | 180        | 0             | 21.8      | 21.7                    | 21.7   | 20.7   | 20.8   | 20.7   | 22.3   | 22.1   | 22.1   | 20.1   | 19.9   | 20.1   |        |
|                 | 1          | 0             | 19.8      | 19.8                    | 19.5   | 18.9   | 19.0   | 18.7   | 20.5   | 20.5   | 20.1   | 18.3   | 18.2   | 17.9   |        |
|                 | 1          | 1             | 19.4      | 19.5                    | 19.6   | 18.5   | 18.9   | 18.7   | 20.5   | 20.4   | 20.1   | 18.3   | 18.2   | 18.0   |        |
|                 | 1          | 186           | 20.1      | 19.4                    | 19.6   | 19.0   | 18.8   | 18.6   | 20.3   | 20.3   | 20.0   | 18.1   | 18.1   | 18.0   |        |
|                 | 1          | 187           | 20.1      | 19.3                    | 19.3   | 19.0   | 18.7   | 18.7   | 20.3   | 20.3   | 20.0   | 18.2   | 18.2   | 18.0   |        |
|                 | 90         | 45            | 19.8      | 19.7                    | 19.6   | 18.9   | 18.7   | 18.7   | 20.3   | 20.1   | 20.1   | 18.1   | 17.9   | 18.1   |        |
|                 | 180        | 0             | 19.8      | 19.7                    | 19.7   | 18.8   | 18.9   | 18.6   | 20.2   | 20.2   | 20.1   | 18.1   | 17.9   | 18.1   |        |

**OUTPUT POWER FOR 5G NR n25 (40.0 MHz)**

| Bandwidth (MHz) | Modulation | RB Allocation | RB Offset | Conducted Average (dBm) |        |        |        |        |        |        |        |        |        |        |        |
|-----------------|------------|---------------|-----------|-------------------------|--------|--------|--------|--------|--------|--------|--------|--------|--------|--------|--------|
|                 |            |               |           | ANT 2                   |        |        | ANT 0  |        |        | ANT 1  |        |        | ANT 5  |        |        |
|                 |            |               |           | 374000                  | 376500 | 379000 | 374000 | 376500 | 379000 | 374000 | 376500 | 379000 | 374000 | 376500 | 379000 |
| 40.0            | BPSK       | 1             | 0         | 1870.0                  | 1882.5 | 1895.0 | 1870.0 | 1882.5 | 1895.0 | 1870.0 | 1882.5 | 1895.0 | 1870.0 | 1882.5 | 1895.0 |
|                 |            | 1             | 1         | 24.3                    | 24.2   | 24.7   | 23.3   | 23.4   | 23.3   | 24.7   | 24.3   | 24.1   | 22.7   | 22.6   | 22.6   |
|                 |            | 1             | 214       | 24.2                    | 24.1   | 24.1   | 23.3   | 23.2   | 23.1   | 24.4   | 24.4   | 24.4   | 22.5   | 22.5   | 22.6   |
|                 |            | 1             | 215       | 23.7                    | 23.5   | 23.6   | 22.7   | 22.7   | 22.7   | 24.1   | 24.1   | 24.1   | 22.0   | 22.0   | 22.0   |
|                 |            | 108           | 54        | 24.3                    | 24.2   | 24.2   | 23.3   | 23.2   | 23.3   | 24.5   | 24.5   | 24.4   | 22.6   | 22.5   | 22.5   |
|                 |            | 216           | 0         | 23.7                    | 23.7   | 23.6   | 22.8   | 22.8   | 22.7   | 24.2   | 24.2   | 24.1   | 22.0   | 22.0   | 22.1   |
|                 |            | 1             | 0         | 23.2                    | 23.2   | 23.2   | 22.3   | 22.3   | 22.3   | 23.9   | 23.8   | 23.7   | 21.7   | 21.6   | 21.5   |
|                 |            | 1             | 1         | 24.3                    | 24.2   | 24.3   | 23.3   | 23.4   | 23.4   | 24.7   | 24.6   | 24.5   | 22.7   | 22.7   | 22.6   |
|                 |            | 1             | 214       | 24.2                    | 24.1   | 24.0   | 23.2   | 23.1   | 23.2   | 24.5   | 24.4   | 24.3   | 22.5   | 22.5   | 22.6   |
|                 | 1          | 215           | 23.1      | 23.1                    | 22.9   | 22.2   | 22.1   | 22.1   | 23.7   | 23.6   | 23.5   | 21.4   | 21.4   | 21.5   |        |
|                 | 108        | 54            | 24.2      | 24.2                    | 24.2   | 23.3   | 23.3   | 23.2   | 24.6   | 24.5   | 24.4   | 22.6   | 22.5   | 22.5   |        |
|                 | 216        | 0             | 23.2      | 23.2                    | 23.2   | 22.3   | 22.3   | 22.2   | 23.7   | 23.7   | 23.6   | 21.5   | 21.5   | 21.5   |        |
|                 | 1          | 0             | 22.2      | 22.4                    | 22.4   | 21.4   | 21.3   | 21.2   | 22.9   | -10.6  | 23.7   | 20.7   | 20.6   | 20.6   |        |
|                 | 1          | 1             | 23.4      | 23.2                    | 23.5   | 22.5   | 22.2   | 22.3   | 24.0   | 23.6   | 23.8   | 21.7   | 21.7   | 21.5   |        |
|                 | 1          | 214           | 23.4      | 23.1                    | 22.9   | 22.5   | 22.3   | 22.1   | 23.6   | 23.6   | 23.5   | 21.5   | 21.5   | 21.6   |        |
|                 | 1          | 215           | 22.2      | 21.8                    | 21.9   | 21.5   | 20.8   | 20.8   | 22.6   | 22.6   | 22.7   | 20.4   | 20.5   | 20.5   |        |
|                 | 108        | 54            | 23.2      | 23.3                    | 23.0   | 22.3   | 22.3   | 22.2   | 23.8   | 23.7   | 23.7   | 21.6   | 21.5   | 21.6   |        |
|                 | 216        | 0             | 22.2      | 22.2                    | 22.2   | 21.3   | 21.2   | 21.2   | 23.5   | 22.7   | 22.6   | 20.6   | 20.5   | 20.5   |        |
|                 | 1          | 0             | 21.1      | 21.7                    | 21.6   | 21.1   | 20.8   | 20.7   | 22.3   | 22.3   | 22.3   | 20.1   | 20.2   | 20.2   |        |
|                 | 1          | 1             | 21.5      | 22.1                    | 22.0   | 21.0   | 21.1   | 20.2   | 22.4   | 22.3   | 22.3   | 20.2   | 20.2   | 20.2   |        |
|                 | 1          | 214           | 21.4      | 21.7                    | 21.6   | 20.5   | 20.4   | 20.5   | 22.2   | 22.1   | 22.1   | 19.9   | 20.1   | 20.3   |        |
|                 | 1          | 215           | 21.6      | 21.3                    | 21.3   | 20.7   | 20.5   | 20.7   | 22.1   | 22.2   | 22.1   | 20.0   | 20.0   | 20.2   |        |
|                 | 108        | 54            | 21.7      | 21.7                    | 21.6   | 20.8   | 20.7   | 20.6   | 22.3   | 22.2   | 22.1   | 20.1   | 20.0   | 20.0   |        |
|                 | 216        | 0             | 21.7      | 21.6                    | 21.6   | 20.8   | 20.7   | 20.7   | 20.0   | 20.7   | 22.1   | 20.0   | 20.0   | 20.1   |        |
|                 | 1          | 0             | 19.6      | 19.4                    | 20.1   | 18.9   | 19.1   | 18.9   | 20.3   | 20.3   | 20.1   | 18.2   | 17.9   | 18.0   |        |
|                 | 1          | 1             | 19.7      | 20.0                    | 19.7   | 18.8   | 18.6   | 19.0   | 20.3   | 20.4   | 20.0   | 18.2   | 17.9   | 18.0   |        |
|                 | 1          | 214           | 19.6      | 19.3                    | 19.7   | 18.8   | 18.8   | 18.6   | 20.0   | 20.1   | 19.9   | 17.9   | 17.8   | 18.1   |        |
|                 | 1          | 215           | 19.5      | 19.2                    | 19.7   | 18.8   | 18.9   | 18.9   | 20.1   | 20.1   | 19.8   | 17.9   | 17.7   | 18.0   |        |
|                 | 108        | 54            | 19.7      | 19.8                    | 19.6   | 18.8   | 18.8   | 18.7   | 20.2   | 20.2   | 20.1   | 18.0   | 18.0   | 18.1   |        |
|                 | 216        | 0             | 19.8      | 19.7                    | 19.6   | 18.9   | 18.8   | 18.8   | 20.3   | 19.7   | 20.1   | 18.0   | 18.0   | 18.0   |        |

### 8.8. LTE BAND 26 AND 5G NR 26 (FCC Part 90S)

#### LTE BAND 26

|                   |         |            |            |
|-------------------|---------|------------|------------|
| Test Engineer ID: | 39005RA | Test Date: | 2024-03-26 |
|-------------------|---------|------------|------------|

#### OUTPUT POWER FOR LTE BAND 26 (1.4 MHz)

| Bandwidth (MHz) | Modulation | RB Allocation | RB Offset | Conducted Average (dBm) |             |             |       |             |             |
|-----------------|------------|---------------|-----------|-------------------------|-------------|-------------|-------|-------------|-------------|
|                 |            |               |           | ANT 0                   |             |             | ANT 1 |             |             |
|                 |            |               |           | 26697                   | 26740       | 26783       | 26697 | 26740       | 26783       |
| 1.4             | QPSK       | 1             | 0         | 25.0                    | 25.0        | <b>25.0</b> | 24.7  | 24.6        | 24.7        |
|                 |            | 1             | 2         | 24.8                    | 25.0        | 25.0        | 24.5  | <b>24.8</b> | 24.5        |
|                 |            | 1             | 5         | 24.9                    | 24.9        | 24.9        | 24.7  | 24.7        | 24.7        |
|                 |            | 3             | 0         | 24.9                    | 24.9        | 24.9        | 24.6  | 24.7        | 24.6        |
|                 |            | 3             | 1         | 24.8                    | 24.8        | 24.9        | 24.6  | 24.6        | 24.6        |
|                 |            | 3             | 2         | 24.8                    | 24.8        | 24.8        | 24.6  | 24.6        | 24.6        |
|                 | 16QAM      | 6             | 0         | 24.0                    | 24.0        | 24.0        | 23.7  | 23.7        | 23.8        |
|                 |            | 1             | 0         | <b>24.0</b>             | <b>24.0</b> | <b>24.0</b> | 23.6  | 23.6        | 23.9        |
|                 |            | 1             | 2         | <b>24.0</b>             | <b>24.0</b> | <b>24.0</b> | 23.6  | 23.8        | <b>23.9</b> |
|                 |            | 1             | 5         | <b>24.0</b>             | <b>24.0</b> | 23.9        | 23.6  | 23.7        | 23.9        |
|                 |            | 3             | 0         | <b>24.0</b>             | <b>24.0</b> | <b>24.0</b> | 23.5  | 23.7        | 23.5        |
|                 |            | 3             | 1         | <b>24.0</b>             | <b>24.0</b> | 24.0        | 23.5  | 23.7        | 23.7        |
|                 | 64QAM      | 3             | 2         | <b>24.0</b>             | <b>24.0</b> | 24.0        | 23.5  | 23.7        | 23.6        |
|                 |            | 6             | 0         | 23.0                    | 23.0        | 23.0        | 22.5  | 22.6        | 22.7        |
|                 |            | 1             | 0         | <b>23.0</b>             | <b>23.0</b> | 23.0        | 22.6  | 22.6        | 22.7        |
|                 |            | 1             | 2         | <b>23.0</b>             | 22.9        | <b>23.0</b> | 22.8  | <b>22.8</b> | 22.6        |
|                 |            | 1             | 5         | <b>23.0</b>             | 22.9        | <b>23.0</b> | 22.7  | 22.7        | 22.6        |
|                 |            | 3             | 0         | <b>23.0</b>             | 23.0        | <b>23.0</b> | 22.6  | 22.6        | 22.6        |
|                 | 256QAM     | 3             | 1         | <b>23.0</b>             | 23.0        | <b>23.0</b> | 22.6  | 22.6        | 22.6        |
|                 |            | 3             | 2         | <b>23.0</b>             | 23.0        | <b>23.0</b> | 22.6  | 22.6        | 22.6        |
|                 |            | 6             | 0         | 21.1                    | 21.1        | 21.1        | 20.7  | 20.7        | 20.6        |
|                 |            | 1             | 0         | 18.6                    | 18.7        | 18.7        | 18.0  | 18.1        | 19.6        |
|                 |            | 1             | 2         | 18.6                    | 18.7        | 18.7        | 18.1  | 18.2        | 19.6        |
|                 |            | 1             | 5         | 18.6                    | 18.7        | 18.7        | 18.0  | 18.1        | 19.6        |
|                 |            | 3             | 0         | 18.8                    | 18.7        | <b>18.8</b> | 18.2  | 18.2        | <b>19.7</b> |
|                 |            | 3             | 1         | 18.7                    | 18.7        | 18.8        | 18.1  | 18.1        | 19.6        |
|                 |            | 3             | 2         | 18.7                    | 18.6        | 18.7        | 18.2  | 18.1        | 19.6        |
|                 |            | 6             | 0         | 18.1                    | 18.1        | 18.1        | 17.5  | 17.6        | 17.5        |

#### OUTPUT POWER FOR LTE BAND 26 (3.0 MHz)

| Bandwidth (MHz) | Modulation | RB Allocation | RB Offset | Conducted Average (dBm) |             |             |             |       |             |
|-----------------|------------|---------------|-----------|-------------------------|-------------|-------------|-------------|-------|-------------|
|                 |            |               |           | ANT 0                   |             |             | ANT 1       |       |             |
|                 |            |               |           | 26705                   | 26740       | 26775       | 26705       | 26740 | 26775       |
| 3.0             | QPSK       | 1             | 0         | <b>25.0</b>             | <b>25.0</b> | <b>25.0</b> | <b>24.9</b> | 24.8  | 24.7        |
|                 |            | 1             | 7         | 24.9                    | <b>25.0</b> | 24.9        | 24.8        | 24.7  | 24.7        |
|                 |            | 1             | 14        | <b>25.0</b>             | <b>25.0</b> | 25.0        | <b>24.9</b> | 24.7  | 24.7        |
|                 |            | 8             | 0         | 24.0                    | 24.0        | 24.0        | 23.9        | 23.7  | 23.7        |
|                 |            | 8             | 4         | 24.0                    | 24.0        | 24.0        | 23.9        | 23.7  | 23.7        |
|                 |            | 8             | 7         | 24.0                    | 24.0        | 24.0        | 23.9        | 23.7  | 23.7        |
|                 | 16QAM      | 15            | 0         | 24.0                    | 24.0        | 24.0        | 23.9        | 23.7  | 23.7        |
|                 |            | 1             | 0         | <b>24.0</b>             | <b>24.0</b> | <b>24.0</b> | 23.9        | 23.9  | 23.9        |
|                 |            | 1             | 7         | <b>24.0</b>             | <b>24.0</b> | <b>24.0</b> | 23.9        | 23.8  | 23.8        |
|                 |            | 1             | 14        | <b>24.0</b>             | <b>24.0</b> | <b>24.0</b> | 23.9        | 23.9  | 23.9        |
|                 |            | 8             | 0         | 23.0                    | 23.0        | 23.0        | 22.9        | 22.7  | 22.7        |
|                 |            | 8             | 4         | 23.0                    | 23.0        | 23.0        | 22.9        | 22.7  | 22.7        |
|                 | 64QAM      | 8             | 7         | 23.0                    | 23.0        | 23.0        | 22.9        | 22.7  | 22.7        |
|                 |            | 15            | 0         | 23.0                    | 23.0        | 23.0        | 22.8        | 22.6  | 22.6        |
|                 |            | 1             | 0         | <b>23.0</b>             | <b>23.0</b> | <b>23.0</b> | 22.8        | 22.9  | 22.9        |
|                 |            | 1             | 7         | <b>23.0</b>             | <b>23.0</b> | <b>23.0</b> | 22.8        | 22.9  | 22.9        |
|                 |            | 1             | 14        | <b>23.0</b>             | <b>23.0</b> | <b>23.0</b> | 22.8        | 22.9  | <b>23.0</b> |
|                 |            | 8             | 0         | 21.2                    | 21.2        | 21.1        | 21.0        | 20.7  | 20.7        |
|                 | 256QAM     | 8             | 4         | 21.1                    | 21.1        | 21.1        | 21.0        | 20.7  | 20.7        |
|                 |            | 8             | 7         | 21.1                    | 21.1        | 21.1        | 20.9        | 20.6  | 20.7        |
|                 |            | 15            | 0         | 21.1                    | 21.0        | 21.1        | 20.9        | 20.6  | 20.7        |
|                 |            | 1             | 0         | 18.6                    | <b>19.0</b> | 19.0        | <b>20.0</b> | 18.5  | 18.5        |
|                 |            | 1             | 7         | 18.5                    | 18.9        | 19.0        | 20.0        | 18.5  | 18.4        |
|                 |            | 1             | 14        | 18.6                    | 19.0        | 18.9        | 20.0        | 18.5  | 18.5        |
|                 |            | 8             | 0         | 18.1                    | 18.1        | 18.2        | 17.9        | 17.7  | 17.7        |
|                 |            | 8             | 4         | 18.1                    | 18.1        | 18.1        | 17.9        | 17.6  | 17.6        |
|                 |            | 8             | 7         | 18.1                    | 18.1        | 18.1        | 17.9        | 17.7  | 17.7        |
|                 | 15         | 0             | 18.2      | 18.1                    | 18.1        | 18.0        | 17.7        | 17.7  |             |

**OUTPUT POWER FOR LTE BAND 26 (5.0 MHz)**

| Bandwidth (MHz) | Modulation | RB Allocation | RB Offset | Conducted Average (dBm) |             |             |             |             |             |
|-----------------|------------|---------------|-----------|-------------------------|-------------|-------------|-------------|-------------|-------------|
|                 |            |               |           | ANT 0                   |             |             | ANT 1       |             |             |
|                 |            |               |           | 26715                   | 26740       | 26765       | 26715       | 26740       | 26765       |
| 5.0             | QPSK       | 1             | 0         | 25.0                    | <b>25.0</b> | <b>25.0</b> | 24.6        | 24.6        | 24.6        |
|                 |            | 1             | 12        | <b>25.0</b>             | <b>25.0</b> | <b>25.0</b> | 24.6        | 24.6        | <b>24.7</b> |
|                 |            | 1             | 24        | <b>25.0</b>             | <b>25.0</b> | <b>25.0</b> | 24.6        | 24.6        | 24.7        |
|                 |            | 12            | 0         | 24.0                    | 24.0        | 24.0        | 23.7        | 23.6        | 23.6        |
|                 |            | 12            | 6         | 24.0                    | 24.0        | 24.0        | 23.6        | 23.6        | 23.6        |
|                 |            | 12            | 11        | 24.0                    | 24.0        | 24.0        | 23.6        | 23.6        | 23.6        |
|                 |            | 25            | 0         | 24.0                    | 24.0        | 24.0        | 23.6        | 23.6        | 23.6        |
|                 | 16QAM      | 1             | 0         | <b>24.0</b>             | <b>24.0</b> | <b>24.0</b> | 23.8        | 23.8        | 23.6        |
|                 |            | 1             | 12        | <b>24.0</b>             | <b>24.0</b> | <b>24.0</b> | 23.7        | 23.8        | 23.6        |
|                 |            | 1             | 24        | <b>24.0</b>             | <b>24.0</b> | <b>24.0</b> | 23.7        | <b>23.8</b> | 23.6        |
|                 |            | 12            | 0         | 23.0                    | 23.0        | 23.0        | 22.6        | 22.6        | 22.6        |
|                 |            | 12            | 6         | 23.0                    | 23.0        | 23.0        | 22.6        | 22.6        | 22.5        |
|                 |            | 12            | 11        | 23.0                    | 23.0        | 23.0        | 22.6        | 22.6        | 22.5        |
|                 |            | 25            | 0         | 23.0                    | 23.0        | 23.0        | 22.6        | 22.6        | 22.6        |
|                 | 64QAM      | 1             | 0         | <b>23.0</b>             | <b>23.0</b> | 23.0        | 22.7        | 22.6        | 22.7        |
|                 |            | 1             | 12        | <b>23.0</b>             | <b>23.0</b> | 22.9        | 22.6        | 22.6        | 22.7        |
|                 |            | 1             | 24        | <b>23.0</b>             | <b>23.0</b> | 22.9        | 22.7        | 22.6        | <b>22.8</b> |
|                 |            | 12            | 0         | 21.1                    | 21.1        | 21.1        | 20.6        | 20.5        | 20.6        |
|                 |            | 12            | 6         | 21.1                    | 21.1        | 21.2        | 20.6        | 20.5        | 20.6        |
|                 |            | 12            | 11        | 21.1                    | 21.1        | 21.1        | 20.5        | 20.5        | 20.6        |
|                 |            | 25            | 0         | 21.1                    | 21.1        | 21.1        | 20.6        | 20.6        | 20.6        |
|                 | 256QAM     | 1             | 0         | <b>18.7</b>             | 18.6        | 18.7        | <b>18.3</b> | 18.1        | 18.1        |
|                 |            | 1             | 12        | 18.6                    | 18.5        | 18.6        | 18.1        | 18.0        | 18.1        |
|                 |            | 1             | 24        | 18.6                    | 18.6        | 18.6        | 18.2        | 18.1        | 18.1        |
|                 |            | 12            | 0         | 18.2                    | 18.1        | 18.1        | 17.6        | 17.6        | 17.5        |
| 12              |            | 6             | 18.1      | 18.1                    | 18.0        | 17.6        | 17.5        | 17.5        |             |
| 12              |            | 11            | 18.1      | 18.1                    | 18.1        | 17.6        | 17.5        | 17.5        |             |
| 25              |            | 0             | 18.1      | 18.1                    | 18.1        | 17.6        | 17.6        | 17.5        |             |

**OUTPUT POWER FOR LTE BAND 26 (10.0 MHz)**

| Bandwidth (MHz) | Modulation | RB Allocation | RB Offset | Conducted Average (dBm) |             |     |       |             |     |
|-----------------|------------|---------------|-----------|-------------------------|-------------|-----|-------|-------------|-----|
|                 |            |               |           | ANT 0                   |             |     | ANT 1 |             |     |
|                 |            |               |           | N/A                     | 26740       | N/A | N/A   | 26740       | N/A |
| 10.0            | QPSK       | 1             | 0         | N/A                     | <b>24.9</b> | N/A | N/A   | <b>24.7</b> | N/A |
|                 |            | 1             | 24        | N/A                     | 24.7        | N/A | N/A   | 24.7        | N/A |
|                 |            | 1             | 49        | N/A                     | 24.5        | N/A | N/A   | 24.7        | N/A |
|                 |            | 25            | 0         | N/A                     | 23.8        | N/A | N/A   | 23.7        | N/A |
|                 |            | 25            | 12        | N/A                     | 24.0        | N/A | N/A   | 23.7        | N/A |
|                 |            | 25            | 24        | N/A                     | 23.8        | N/A | N/A   | 23.6        | N/A |
|                 |            | 50            | 0         | N/A                     | 24.0        | N/A | N/A   | 23.7        | N/A |
|                 | 16QAM      | 1             | 0         | N/A                     | 24.0        | N/A | N/A   | 23.8        | N/A |
|                 |            | 1             | 24        | N/A                     | <b>24.0</b> | N/A | N/A   | <b>23.8</b> | N/A |
|                 |            | 1             | 49        | N/A                     | 23.9        | N/A | N/A   | 23.7        | N/A |
|                 |            | 25            | 0         | N/A                     | 23.0        | N/A | N/A   | 22.6        | N/A |
|                 |            | 25            | 12        | N/A                     | 23.0        | N/A | N/A   | 22.6        | N/A |
|                 |            | 25            | 24        | N/A                     | 23.0        | N/A | N/A   | 22.6        | N/A |
|                 |            | 50            | 0         | N/A                     | 23.0        | N/A | N/A   | 22.6        | N/A |
|                 | 64QAM      | 1             | 0         | N/A                     | <b>23.0</b> | N/A | N/A   | 22.9        | N/A |
|                 |            | 1             | 24        | N/A                     | <b>23.0</b> | N/A | N/A   | <b>22.9</b> | N/A |
|                 |            | 1             | 49        | N/A                     | <b>23.0</b> | N/A | N/A   | 22.8        | N/A |
|                 |            | 25            | 0         | N/A                     | 21.1        | N/A | N/A   | 20.7        | N/A |
|                 |            | 25            | 12        | N/A                     | 21.0        | N/A | N/A   | 20.6        | N/A |
|                 |            | 25            | 24        | N/A                     | 21.0        | N/A | N/A   | 20.6        | N/A |
|                 |            | 50            | 0         | N/A                     | 21.0        | N/A | N/A   | 20.6        | N/A |
|                 | 256QAM     | 1             | 0         | N/A                     | 18.7        | N/A | N/A   | <b>18.3</b> | N/A |
|                 |            | 1             | 24        | N/A                     | <b>18.7</b> | N/A | N/A   | 18.2        | N/A |
|                 |            | 1             | 49        | N/A                     | 18.6        | N/A | N/A   | 18.2        | N/A |
|                 |            | 25            | 0         | N/A                     | 18.1        | N/A | N/A   | 17.7        | N/A |
| 25              |            | 12            | N/A       | 18.1                    | N/A         | N/A | 17.6  | N/A         |     |
| 25              |            | 24            | N/A       | 18.1                    | N/A         | N/A | 17.6  | N/A         |     |
| 50              |            | 0             | N/A       | 18.0                    | N/A         | N/A | 17.6  | N/A         |     |

**5G NR n26 QPSK**

|                   |         |            |            |
|-------------------|---------|------------|------------|
| Test Engineer ID: | 28498AC | Test Date: | 2024-02-16 |
|-------------------|---------|------------|------------|

**OUTPUT POWER FOR 5G NR n26 (5.0 MHz)**

| Bandwidth (MHz) | Modulation | RB Allocation | RB Offset   | Conducted Average (dBm) |             |             |             |             |             |
|-----------------|------------|---------------|-------------|-------------------------|-------------|-------------|-------------|-------------|-------------|
|                 |            |               |             | ANT 0                   |             |             | ANT 1       |             |             |
|                 |            |               |             | 163300                  | 163800      | 164300      | 163300      | 163800      | 164300      |
| 5.0             | BPSK       | 1             | 0           | 23.8                    | 23.6        | 23.8        | 23.3        | 23.3        | 23.5        |
|                 |            | 1             | 1           | 24.8                    | 24.8        | 24.6        | 24.2        | 24.2        | <b>24.4</b> |
|                 |            | 1             | 23          | <b>24.9</b>             | 24.8        | 24.8        | 24.1        | 24.4        | 24.1        |
|                 |            | 1             | 24          | 23.5                    | 23.7        | 23.9        | 23.4        | 23.2        | 23.1        |
|                 |            | 12            | 6           | 24.7                    | 24.6        | 24.6        | 24.2        | 24.2        | 24.2        |
|                 | QPSK       | 25            | 0           | 23.7                    | 23.8        | 23.5        | 23.2        | 23.1        | 23.2        |
|                 |            | 1             | 0           | 23.6                    | 23.7        | <b>23.8</b> | 23.0        | 23.1        | 23.2        |
|                 |            | 1             | 1           | 23.2                    | 23.5        | 23.6        | 22.5        | 22.7        | 22.8        |
|                 |            | 1             | 23          | 23.2                    | 23.3        | 23.6        | 22.5        | 22.6        | 22.8        |
|                 |            | 1             | 24          | 23.7                    | 23.7        | 23.8        | 23.2        | 23.0        | <b>23.2</b> |
|                 | 16QAM      | 12            | 6           | 23.3                    | 23.2        | 23.3        | 22.8        | 22.7        | 22.8        |
|                 |            | 25            | 0           | 23.3                    | 23.3        | 23.2        | 22.9        | 22.7        | 22.8        |
|                 |            | 1             | 0           | 22.8                    | 23.0        | 22.2        | 22.5        | 21.9        | 22.2        |
|                 |            | 1             | 1           | 23.3                    | 23.7        | 23.4        | <b>23.5</b> | 23.2        | 23.2        |
|                 |            | 1             | 23          | 23.5                    | <b>23.9</b> | 23.7        | 23.1        | 22.9        | 23.2        |
|                 | 64QAM      | 1             | 24          | 22.8                    | 23.2        | 22.7        | 22.3        | 22.5        | 22.7        |
|                 |            | 12            | 6           | 23.6                    | 23.8        | 23.5        | 23.2        | 23.1        | 23.0        |
|                 |            | 25            | 0           | 22.6                    | 22.7        | 22.6        | 22.2        | 22.1        | 22.1        |
|                 |            | 1             | 0           | 21.6                    | 22.3        | <b>22.6</b> | 21.9        | <b>22.0</b> | 21.5        |
|                 |            | 1             | 1           | 22.4                    | 22.2        | 22.3        | 21.8        | 21.8        | 21.4        |
|                 | 256QAM     | 1             | 23          | 21.6                    | 21.8        | 22.0        | 21.9        | 21.6        | 21.6        |
|                 |            | 1             | 24          | 22.0                    | 22.4        | 21.4        | 21.8        | 21.7        | 22.0        |
|                 |            | 12            | 6           | 22.0                    | 21.9        | 22.2        | 21.6        | 21.7        | 21.7        |
|                 |            | 25            | 0           | 22.1                    | 22.1        | 22.2        | 21.7        | 21.7        | 21.7        |
|                 |            | 1             | 0           | 18.3                    | 18.4        | 18.2        | 17.7        | 18.1        | 18.6        |
|                 | 1          | 1             | <b>18.9</b> | 18.8                    | 18.7        | 18.4        | 18.2        | 18.9        |             |
|                 | 1          | 23            | 18.3        | 18.7                    | 18.7        | 18.4        | 18.0        | 18.2        |             |
|                 | 1          | 24            | 18.2        | 18.7                    | 18.8        | 18.2        | <b>18.9</b> | 18.4        |             |
|                 | 12         | 6             | 18.7        | 18.8                    | 18.7        | 18.3        | 18.3        | 18.1        |             |
|                 | 25         | 0             | 18.8        | 18.7                    | 18.7        | 18.3        | 18.2        | 18.2        |             |

**OUTPUT POWER FOR 5G NR n26 (10.0 MHz)**

| Bandwidth (MHz) | Modulation | RB Allocation | RB Offset | Conducted Average (dBm) |             |     |       |             |     |
|-----------------|------------|---------------|-----------|-------------------------|-------------|-----|-------|-------------|-----|
|                 |            |               |           | ANT 0                   |             |     | ANT 1 |             |     |
|                 |            |               |           | N/A                     | 163800      | N/A | N/A   | 163800      | N/A |
| 10.0            | BPSK       | 1             | 0         |                         | 23.7        |     |       | 23.0        |     |
|                 |            | 1             | 1         |                         | 24.3        |     |       | <b>24.7</b> |     |
|                 |            | 1             | 50        |                         | 24.6        |     |       | 24.3        |     |
|                 |            | 1             | 51        |                         | 23.7        |     |       | 23.1        |     |
|                 |            | 25            | 12        |                         | <b>24.7</b> |     |       | 24.2        |     |
|                 | QPSK       | 50            | 0         |                         | 23.6        |     |       | 23.1        |     |
|                 |            | 1             | 0         |                         | 22.2        |     |       | <b>23.3</b> |     |
|                 |            | 1             | 1         |                         | 23.2        |     |       | 22.9        |     |
|                 |            | 1             | 50        |                         | <b>24.4</b> |     |       | 22.8        |     |
|                 |            | 1             | 51        |                         | 23.0        |     |       | 23.2        |     |
|                 | 16QAM      | 25            | 12        |                         | 23.6        |     |       | 22.8        |     |
|                 |            | 50            | 0         |                         | 22.6        |     |       | 22.8        |     |
|                 |            | 1             | 0         |                         | 23.7        |     |       | 22.1        |     |
|                 |            | 1             | 1         |                         | 23.3        |     |       | <b>23.3</b> |     |
|                 |            | 1             | 50        |                         | 23.3        |     |       | 23.1        |     |
|                 | 64QAM      | 1             | 51        |                         | <b>23.8</b> |     |       | 22.2        |     |
|                 |            | 25            | 12        |                         | 23.3        |     |       | 23.1        |     |
|                 |            | 50            | 0         |                         | 23.2        |     |       | 22.1        |     |
|                 |            | 1             | 0         |                         | 22.4        |     |       | 21.6        |     |
|                 |            | 1             | 1         |                         | 22.3        |     |       | <b>22.0</b> |     |
|                 | 256QAM     | 1             | 50        |                         | 22.4        |     |       | 21.6        |     |
|                 |            | 1             | 51        |                         | <b>22.7</b> |     |       | 21.2        |     |
|                 |            | 25            | 12        |                         | 22.2        |     |       | 21.8        |     |
|                 |            | 50            | 0         |                         | 22.0        |     |       | 21.6        |     |
|                 |            | 1             | 0         |                         | 18.4        |     |       | <b>18.5</b> |     |
|                 | 1          | 1             |           | 18.3                    |             |     | 18.1  |             |     |
|                 | 1          | 50            |           | 18.4                    |             |     | 18.1  |             |     |
|                 | 1          | 51            |           | 18.5                    |             |     | 18.3  |             |     |
|                 | 25         | 12            |           | 18.6                    |             |     | 18.2  |             |     |
|                 | 50         | 0             |           | <b>18.8</b>             |             |     | 18.3  |             |     |

### 8.9. LTE BAND 26 AND 5G NR n26 (FCC Part 22)

#### LTE BAND 26

|                   |         |            |            |
|-------------------|---------|------------|------------|
| Test Engineer ID: | 39005RA | Test Date: | 2024-03-26 |
|-------------------|---------|------------|------------|

#### OUTPUT POWER FOR LTE BAND 26 (1.4 MHz)

| Bandwidth (MHz) | Modulation | RB Allocation | RB Offset | Conducted Average (dBm) |       |       |       |       |       |
|-----------------|------------|---------------|-----------|-------------------------|-------|-------|-------|-------|-------|
|                 |            |               |           | ANT 0                   |       |       | ANT 1 |       |       |
|                 |            |               |           | 26797                   | 26915 | 27033 | 26797 | 26915 | 27033 |
| 1.4             | QPSK       | 1             | 0         | 24.5                    | 24.5  | 23.4  | 25.0  | 24.8  | 24.8  |
|                 |            | 1             | 2         | 24.5                    | 24.5  | 24.4  | 24.8  | 24.8  | 24.6  |
|                 |            | 1             | 5         | 24.5                    | 24.5  | 24.5  | 24.9  | 24.8  | 24.8  |
|                 |            | 3             | 0         | 24.5                    | 24.4  | 24.5  | 24.8  | 24.8  | 24.6  |
|                 |            | 3             | 1         | 24.4                    | 24.4  | 24.5  | 24.8  | 24.7  | 24.6  |
|                 |            | 3             | 2         | 24.4                    | 24.4  | 24.5  | 24.8  | 24.7  | 24.6  |
|                 | 16QAM      | 6             | 0         | 23.5                    | 23.4  | 23.3  | 23.9  | 23.7  | 23.8  |
|                 |            | 1             | 0         | 23.7                    | 23.7  | 23.8  | 23.9  | 23.9  | 23.9  |
|                 |            | 1             | 2         | 23.7                    | 23.6  | 23.8  | 24.0  | 23.8  | 23.9  |
|                 |            | 1             | 5         | 23.7                    | 23.7  | 23.8  | 23.9  | 23.9  | 23.9  |
|                 |            | 3             | 0         | 23.5                    | 23.4  | 23.7  | 23.9  | 23.8  | 23.6  |
|                 |            | 3             | 1         | 23.4                    | 23.3  | 23.7  | 23.8  | 23.7  | 23.7  |
|                 | 64QAM      | 3             | 2         | 23.4                    | 23.4  | 23.7  | 23.8  | 23.7  | 23.6  |
|                 |            | 6             | 0         | 22.6                    | 22.5  | 22.4  | 22.9  | 22.8  | 22.7  |
|                 |            | 1             | 0         | 22.9                    | 22.9  | 22.9  | 22.8  | 23.0  | 22.7  |
|                 |            | 1             | 2         | 22.9                    | 23.0  | 22.9  | 22.9  | 23.0  | 22.7  |
|                 |            | 1             | 5         | 22.8                    | 22.8  | 22.9  | 22.8  | 22.9  | 22.6  |
|                 |            | 3             | 0         | 22.6                    | 22.5  | 22.6  | 22.8  | 22.8  | 22.7  |
|                 | 256QAM     | 3             | 1         | 22.6                    | 22.5  | 22.6  | 22.8  | 22.8  | 22.6  |
|                 |            | 3             | 2         | 22.6                    | 22.4  | 22.6  | 22.8  | 22.8  | 22.6  |
|                 |            | 6             | 0         | 20.6                    | 20.5  | 20.4  | 20.9  | 20.9  | 20.7  |
|                 |            | 1             | 0         | 19.4                    | 19.4  | 19.6  | 19.9  | 19.7  | 19.6  |
|                 |            | 1             | 2         | 19.5                    | 19.4  | 19.6  | 19.8  | 19.8  | 19.6  |
|                 |            | 1             | 5         | 19.4                    | 19.4  | 19.6  | 19.9  | 19.7  | 19.6  |

#### OUTPUT POWER FOR LTE BAND 26 (3.0 MHz)

| Bandwidth (MHz) | Modulation | RB Allocation | RB Offset | Conducted Average (dBm) |       |       |       |       |       |
|-----------------|------------|---------------|-----------|-------------------------|-------|-------|-------|-------|-------|
|                 |            |               |           | ANT 0                   |       |       | ANT 1 |       |       |
|                 |            |               |           | 26805                   | 26915 | 27025 | 26805 | 26915 | 27025 |
| 3.0             | QPSK       | 1             | 0         | 24.6                    | 24.5  | 23.4  | 25.0  | 24.8  | 24.8  |
|                 |            | 1             | 7         | 24.4                    | 24.3  | 24.5  | 24.8  | 24.7  | 24.8  |
|                 |            | 1             | 14        | 24.6                    | 24.5  | 24.4  | 25.0  | 24.7  | 24.9  |
|                 |            | 8             | 0         | 23.6                    | 23.4  | 23.4  | 24.0  | 23.8  | 23.8  |
|                 |            | 8             | 4         | 23.5                    | 23.4  | 23.3  | 23.9  | 23.8  | 23.7  |
|                 |            | 8             | 7         | 23.5                    | 23.4  | 23.3  | 23.9  | 23.8  | 23.8  |
|                 | 16QAM      | 15            | 0         | 23.5                    | 23.5  | 23.3  | 23.9  | 23.8  | 23.7  |
|                 |            | 1             | 0         | 23.6                    | 23.6  | 23.7  | 24.0  | 24.0  | 24.0  |
|                 |            | 1             | 7         | 23.5                    | 23.5  | 23.7  | 24.0  | 24.0  | 24.0  |
|                 |            | 1             | 14        | 23.5                    | 23.5  | 23.6  | 23.9  | 24.0  | 24.0  |
|                 |            | 8             | 0         | 22.6                    | 22.5  | 22.4  | 22.9  | 22.9  | 22.8  |
|                 |            | 8             | 4         | 22.6                    | 22.5  | 22.4  | 22.9  | 22.9  | 22.7  |
|                 | 64QAM      | 8             | 7         | 22.5                    | 22.4  | 22.4  | 22.9  | 22.8  | 22.6  |
|                 |            | 15            | 0         | 22.5                    | 22.5  | 22.4  | 22.8  | 22.8  | 22.6  |
|                 |            | 1             | 0         | 22.8                    | 22.6  | 22.8  | 22.9  | 23.0  | 22.8  |
|                 |            | 1             | 7         | 22.7                    | 22.5  | 22.8  | 22.8  | 22.8  | 22.6  |
|                 |            | 1             | 14        | 22.8                    | 22.6  | 22.8  | 22.8  | 23.0  | 22.7  |
|                 |            | 8             | 0         | 20.6                    | 20.5  | 20.5  | 21.0  | 20.8  | 20.8  |
|                 | 256QAM     | 8             | 4         | 20.6                    | 20.4  | 20.4  | 20.9  | 20.8  | 20.7  |
|                 |            | 8             | 7         | 20.6                    | 20.4  | 20.3  | 20.9  | 20.7  | 20.7  |
|                 |            | 15            | 0         | 20.5                    | 20.5  | 20.4  | 20.9  | 20.7  | 20.7  |
|                 |            | 1             | 0         | 19.6                    | 19.5  | 19.7  | 20.0  | 20.0  | 19.7  |
|                 |            | 1             | 7         | 19.5                    | 19.5  | 19.7  | 20.0  | 19.9  | 19.6  |
|                 |            | 1             | 14        | 19.6                    | 19.5  | 19.7  | 20.0  | 20.0  | 19.7  |

**OUTPUT POWER FOR LTE BAND 26 (5.0 MHz)**

| Bandwidth (MHz) | Modulation | RB Allocation | RB Offset | Conducted Average (dBm) |       |       |       |       |       |
|-----------------|------------|---------------|-----------|-------------------------|-------|-------|-------|-------|-------|
|                 |            |               |           | ANT 0                   |       |       | ANT 1 |       |       |
|                 |            |               |           | 26815                   | 26915 | 27015 | 26815 | 26915 | 27015 |
| 5.0             | QPSK       | 1             | 0         | 24.6                    | 24.4  | 24.4  | 24.9  | 24.8  | 24.7  |
|                 |            | 1             | 12        | 24.5                    | 24.2  | 24.2  | 24.9  | 24.7  | 24.7  |
|                 |            | 1             | 24        | 24.5                    | 24.4  | 24.4  | 24.9  | 24.8  | 24.7  |
|                 |            | 12            | 0         | 23.6                    | 23.4  | 23.4  | 23.9  | 23.8  | 23.7  |
|                 |            | 12            | 6         | 23.5                    | 23.4  | 23.4  | 23.9  | 23.8  | 23.7  |
|                 |            | 12            | 11        | 23.5                    | 23.4  | 23.4  | 23.9  | 23.7  | 23.6  |
|                 |            | 25            | 0         | 23.5                    | 23.4  | 23.4  | 23.9  | 23.8  | 23.7  |
|                 | 16QAM      | 1             | 0         | 23.9                    | 24.0  | 23.9  | 24.0  | 24.0  | 24.0  |
|                 |            | 1             | 12        | 23.8                    | 23.8  | 23.6  | 24.0  | 24.0  | 24.0  |
|                 |            | 1             | 24        | 23.8                    | 23.9  | 23.7  | 24.0  | 24.0  | 24.0  |
|                 |            | 12            | 0         | 22.6                    | 22.6  | 22.4  | 22.9  | 22.8  | 22.7  |
|                 |            | 12            | 6         | 22.5                    | 22.5  | 22.4  | 22.9  | 22.8  | 22.7  |
|                 |            | 12            | 11        | 22.5                    | 22.5  | 22.4  | 22.9  | 22.8  | 22.7  |
|                 |            | 25            | 0         | 22.5                    | 22.5  | 22.4  | 22.8  | 22.8  | 22.7  |
|                 | 64QAM      | 1             | 0         | 22.6                    | 22.7  | 22.6  | 22.8  | 23.0  | 22.9  |
|                 |            | 1             | 12        | 22.4                    | 22.7  | 22.6  | 22.7  | 22.9  | 22.9  |
|                 |            | 1             | 24        | 22.5                    | 22.7  | 22.5  | 22.8  | 22.9  | 22.8  |
|                 |            | 12            | 0         | 20.6                    | 20.5  | 20.4  | 20.9  | 20.8  | 20.7  |
|                 |            | 12            | 6         | 20.6                    | 20.5  | 20.3  | 20.8  | 20.8  | 20.7  |
|                 |            | 12            | 11        | 20.6                    | 20.4  | 20.3  | 20.8  | 20.8  | 20.6  |
|                 |            | 25            | 0         | 20.6                    | 20.5  | 20.4  | 20.9  | 20.8  | 20.7  |
|                 | 256QAM     | 1             | 0         | 19.6                    | 19.5  | 19.4  | 19.9  | 20.0  | 19.7  |
|                 |            | 1             | 12        | 19.4                    | 19.4  | 19.3  | 19.7  | 20.0  | 19.6  |
|                 |            | 1             | 24        | 19.5                    | 19.5  | 19.4  | 19.9  | 20.0  | 19.6  |
|                 |            | 12            | 0         | 17.5                    | 17.4  | 17.4  | 17.9  | 17.7  | 17.7  |
| 12              |            | 6             | 17.5      | 17.3                    | 17.4  | 17.8  | 17.7  | 17.7  |       |
| 12              |            | 11            | 17.5      | 17.3                    | 17.4  | 17.8  | 17.7  | 17.7  |       |
| 25              |            | 0             | 17.5      | 17.4                    | 17.4  | 17.9  | 17.7  | 17.7  |       |

**OUTPUT POWER FOR LTE BAND 26 (10.0 MHz)**

| Bandwidth (MHz) | Modulation | RB Allocation | RB Offset | Conducted Average (dBm) |       |       |       |       |       |
|-----------------|------------|---------------|-----------|-------------------------|-------|-------|-------|-------|-------|
|                 |            |               |           | ANT 0                   |       |       | ANT 1 |       |       |
|                 |            |               |           | 26840                   | 26915 | 26990 | 26840 | 26915 | 26990 |
| 10.0            | QPSK       | 1             | 0         | 24.6                    | 24.5  | 24.5  | 25.0  | 24.9  | 24.8  |
|                 |            | 1             | 24        | 24.5                    | 24.4  | 24.3  | 24.8  | 24.9  | 24.6  |
|                 |            | 1             | 49        | 24.5                    | 24.4  | 24.4  | 24.8  | 24.8  | 24.8  |
|                 |            | 25            | 0         | 23.6                    | 23.5  | 23.4  | 23.9  | 23.8  | 23.7  |
|                 |            | 25            | 12        | 23.5                    | 23.4  | 23.4  | 23.8  | 23.8  | 23.7  |
|                 |            | 25            | 24        | 23.5                    | 23.4  | 23.4  | 23.8  | 23.7  | 23.7  |
|                 |            | 50            | 0         | 23.5                    | 23.4  | 23.4  | 23.8  | 23.8  | 23.7  |
|                 | 16QAM      | 1             | 0         | 23.9                    | 23.8  | 23.8  | 24.0  | 24.0  | 24.0  |
|                 |            | 1             | 24        | 23.9                    | 23.8  | 23.9  | 24.0  | 24.0  | 24.0  |
|                 |            | 1             | 49        | 23.7                    | 23.6  | 23.6  | 24.0  | 23.9  | 23.9  |
|                 |            | 25            | 0         | 22.6                    | 22.5  | 22.5  | 22.8  | 22.8  | 22.7  |
|                 |            | 25            | 12        | 22.5                    | 22.5  | 22.4  | 22.8  | 22.8  | 22.7  |
|                 |            | 25            | 24        | 22.5                    | 22.4  | 22.4  | 22.8  | 22.8  | 22.6  |
|                 |            | 50            | 0         | 22.5                    | 22.4  | 22.4  | 22.8  | 22.8  | 22.7  |
|                 | 64QAM      | 1             | 0         | 22.8                    | 22.6  | 22.5  | 23.0  | 23.0  | 22.8  |
|                 |            | 1             | 24        | 22.7                    | 22.6  | 22.5  | 23.0  | 23.0  | 22.8  |
|                 |            | 1             | 49        | 22.6                    | 22.5  | 22.4  | 22.9  | 22.8  | 22.7  |
|                 |            | 25            | 0         | 20.6                    | 20.5  | 20.4  | 20.9  | 20.8  | 20.8  |
|                 |            | 25            | 12        | 20.6                    | 20.5  | 20.4  | 20.9  | 20.8  | 20.7  |
|                 |            | 25            | 24        | 20.5                    | 20.4  | 20.4  | 20.9  | 20.7  | 20.7  |
|                 |            | 50            | 0         | 20.5                    | 20.5  | 20.4  | 20.9  | 20.8  | 20.7  |
|                 | 256QAM     | 1             | 0         | 19.6                    | 19.5  | 19.5  | 20.0  | 20.0  | 19.8  |
|                 |            | 1             | 24        | 19.5                    | 19.5  | 19.4  | 20.0  | 20.0  | 19.8  |
|                 |            | 1             | 49        | 19.5                    | 19.4  | 19.4  | 19.9  | 20.0  | 19.6  |
|                 |            | 25            | 0         | 17.6                    | 17.5  | 17.4  | 18.0  | 17.8  | 17.7  |
| 25              |            | 12            | 17.5      | 17.4                    | 17.4  | 17.9  | 17.8  | 17.7  |       |
| 25              |            | 24            | 17.5      | 17.4                    | 17.3  | 17.9  | 17.7  | 17.6  |       |
| 50              |            | 0             | 17.5      | 17.4                    | 17.3  | 17.8  | 17.7  | 17.6  |       |

**OUTPUT POWER FOR LTE BAND 26 (15.0 MHz)**

| Bandwidth (MHz) | Modulation | RB Allocation | RB Offset | Conducted Average (dBm) |       |       |        |       |       |
|-----------------|------------|---------------|-----------|-------------------------|-------|-------|--------|-------|-------|
|                 |            |               |           | ANT 0                   |       |       | ANT 1  |       |       |
|                 |            |               |           | 26865                   | 26915 | 26965 | 26865  | 26915 | 26965 |
| 15.0            | QPSK       | 1             | 0         | 25.0                    | 24.5  | 24.9  | 24.7   | 24.9  | 24.6  |
|                 |            | 1             | 37        | 25.0                    | 24.2  | 24.2  | 24.6   | 24.5  | 24.5  |
|                 |            | 1             | 74        | 25.0                    | 24.3  | 24.1  | 24.6   | 24.7  | 24.6  |
|                 |            | 36            | 0         | 24.0                    | 23.4  | 23.6  | 23.7   | 23.8  | 23.7  |
|                 |            | 36            | 20        | 24.0                    | 23.4  | 23.5  | 23.7   | 23.8  | 23.6  |
|                 |            | 36            | 39        | 24.0                    | 23.4  | 23.4  | 23.6   | 23.8  | 23.4  |
|                 |            | 75            | 0         | 24.0                    | 23.4  | 23.5  | 23.7   | 23.8  | 23.6  |
|                 | 16QAM      | 1             | 0         | 24.0                    | 23.9  | 24.0  | 23.9   | 24.0  | 23.8  |
|                 |            | 1             | 37        | 24.0                    | 23.7  | 23.6  | 23.8   | 24.0  | 23.8  |
|                 |            | 1             | 74        | 23.0                    | 23.6  | 23.4  | 23.8   | 24.0  | 23.6  |
|                 |            | 36            | 0         | 23.0                    | 22.5  | 23.0  | 22.6   | 22.8  | 23.6  |
|                 |            | 36            | 20        | 23.0                    | 22.4  | 22.8  | 22.6   | 22.8  | 23.6  |
|                 |            | 36            | 39        | 23.0                    | 22.4  | 22.9  | 22.6   | 20.7  | 22.5  |
|                 |            | 75            | 0         | 23.0                    | 22.4  | 23.0  | 22.6   | 20.8  | 22.6  |
|                 | 64QAM      | 1             | 0         | 23.0                    | 22.7  | 23.0  | 22.9   | 23.0  | 22.8  |
|                 |            | 1             | 37        | 23.0                    | 22.5  | 23.0  | 22.6   | 22.9  | 22.5  |
|                 |            | 1             | 74        | 23.0                    | 22.4  | 23.0  | 22.8   | 23.0  | 22.6  |
|                 |            | 36            | 0         | 21.1                    | 20.6  | 21.1  | 20.6   | 20.8  | 20.5  |
|                 |            | 36            | 20        | 21.1                    | 20.5  | 21.0  | 20.5   | 20.7  | 20.4  |
|                 |            | 36            | 39        | 21.1                    | 20.5  | 20.9  | 20.5   | 20.7  | 20.4  |
|                 |            | 75            | 0         | 21.1                    | 20.4  | 21.0  | 20.520 | 20.8  | 20.5  |
|                 | 256QAM     | 1             | 0         | 18.9                    | 19.8  | 18.8  | 18.3   | 20.0  | 18.1  |
|                 |            | 1             | 37        | 18.9                    | 19.6  | 18.6  | 18.2   | 19.8  | 17.9  |
|                 |            | 1             | 74        | 18.9                    | 19.6  | 18.5  | 18.1   | 19.8  | 17.9  |
|                 |            | 36            | 0         | 18.1                    | 17.5  | 18.0  | 17.5   | 17.8  | 17.4  |
|                 |            | 36            | 20        | 18.1                    | 17.5  | 17.9  | 17.5   | 17.7  | 17.3  |
|                 |            | 36            | 39        | 18.1                    | 17.4  | 17.8  | 17.4   | 17.7  | 17.3  |
|                 |            | 75            | 0         | 18.1                    | 17.4  | 17.9  | 17.5   | 17.7  | 17.4  |



**5G NR n26**

|                   |         |            |            |
|-------------------|---------|------------|------------|
| Test Engineer ID: | 28498AC | Test Date: | 2024-02-16 |
|-------------------|---------|------------|------------|

**OUTPUT POWER FOR 5G NR n26 (5.0 MHz)**

| Bandwidth (MHz) | Modulation | RB Allocation | RB Offset | Conducted Average (dBm) |        |        |        |        |        |
|-----------------|------------|---------------|-----------|-------------------------|--------|--------|--------|--------|--------|
|                 |            |               |           | ANT 0                   |        |        | ANT 1  |        |        |
|                 |            |               |           | 165300                  | 167300 | 169300 | 165300 | 167300 | 169300 |
| 5.0             | BPSK       | 1             | 0         | 23.8                    | 23.8   | 23.6   | 23.3   | 23.2   | 23.3   |
|                 |            | 1             | 1         | 24.9                    | 24.8   | 24.8   | 24.3   | 24.4   | 24.0   |
|                 |            | 1             | 23        | 24.9                    | 24.7   | 24.8   | 24.2   | 24.4   | 24.0   |
|                 |            | 1             | 24        | 23.7                    | 23.7   | 23.8   | 23.5   | 23.5   | 23.3   |
|                 |            | 12            | 6         | 24.6                    | 24.8   | 24.6   | 24.3   | 24.2   | 24.1   |
|                 |            | 25            | 0         | 23.5                    | 23.8   | 23.6   | 23.2   | 23.3   | 23.2   |
|                 | QPSK       | 1             | 0         | 23.8                    | 23.7   | 23.6   | 23.1   | 23.3   | 23.3   |
|                 |            | 1             | 1         | 24.4                    | 24.3   | 24.3   | 23.8   | 23.8   | 23.8   |
|                 |            | 1             | 23        | 24.2                    | 24.3   | 24.2   | 23.7   | 23.7   | 23.7   |
|                 |            | 1             | 24        | 23.6                    | 23.7   | 23.6   | 23.0   | 23.3   | 23.0   |
|                 |            | 12            | 6         | 24.4                    | 24.3   | 24.1   | 23.9   | 23.8   | 23.6   |
|                 |            | 25            | 0         | 23.4                    | 23.3   | 23.3   | 22.8   | 22.8   | 22.6   |
|                 | 16QAM      | 1             | 0         | 22.4                    | 23.0   | 23.1   | 22.4   | 21.8   | 22.6   |
|                 |            | 1             | 1         | 23.4                    | 24.1   | 24.0   | 23.6   | 23.0   | 23.3   |
|                 |            | 1             | 23        | 23.9                    | 23.7   | 23.8   | 23.0   | 23.0   | 22.7   |
|                 |            | 1             | 24        | 23.1                    | 22.7   | 22.8   | 22.5   | 21.6   | 22.1   |
|                 |            | 12            | 6         | 23.5                    | 23.6   | 23.7   | 23.2   | 23.1   | 23.2   |
|                 |            | 25            | 0         | 22.6                    | 22.8   | 22.5   | 22.2   | 22.2   | 22.1   |
|                 | 64QAM      | 1             | 0         | 22.1                    | 22.4   | 22.2   | 21.8   | 21.4   | 21.6   |
|                 |            | 1             | 1         | 21.3                    | 22.9   | 22.0   | 21.9   | 21.7   | 22.0   |
|                 |            | 1             | 23        | 21.6                    | 21.9   | 22.3   | 21.7   | 22.1   | 21.3   |
|                 |            | 1             | 24        | 22.3                    | 22.2   | 22.4   | 21.4   | 21.4   | 21.8   |
|                 |            | 12            | 6         | 21.9                    | 22.2   | 22.0   | 21.8   | 21.8   | 21.6   |
|                 |            | 25            | 0         | 22.1                    | 22.2   | 22.0   | 21.7   | 21.7   | 21.5   |
|                 | 256QAM     | 1             | 0         | 18.5                    | 18.2   | 18.8   | 18.2   | 18.1   | 18.1   |
| 1               |            | 1             | 18.4      | 18.8                    | 19.0   | 18.0   | 18.2   | 18.4   |        |
| 1               |            | 23            | 19.0      | 18.0                    | 18.9   | 18.0   | 18.2   | 18.6   |        |
| 1               |            | 24            | 18.9      | 18.4                    | 18.2   | 18.2   | 18.4   | 18.1   |        |
| 12              |            | 6             | 18.8      | 18.8                    | 18.6   | 18.3   | 18.3   | 18.1   |        |
| 25              |            | 0             | 18.9      | 18.7                    | 18.5   | 18.3   | 18.3   | 18.1   |        |

**OUTPUT POWER FOR 5G NR n26 (10.0 MHz)**

| Bandwidth (MHz) | Modulation | RB Allocation | RB Offset | Conducted Average (dBm) |        |        |        |        |        |
|-----------------|------------|---------------|-----------|-------------------------|--------|--------|--------|--------|--------|
|                 |            |               |           | ANT 0                   |        |        | ANT 1  |        |        |
|                 |            |               |           | 165800                  | 167300 | 168800 | 165800 | 167300 | 168800 |
| 10.0            | BPSK       | 1             | 0         | 23.9                    | 23.7   | 23.9   | 22.8   | 23.0   | 22.8   |
|                 |            | 1             | 1         | 24.9                    | 24.7   | 24.0   | 24.0   | 24.0   | 24.3   |
|                 |            | 1             | 50        | 24.8                    | 24.2   | 24.0   | 23.9   | 24.2   | 23.8   |
|                 |            | 1             | 51        | 23.8                    | 23.2   | 23.0   | 22.8   | 23.3   | 22.8   |
|                 |            | 25            | 12        | 24.7                    | 24.4   | 24.3   | 24.2   | 24.2   | 24.2   |
|                 |            | 50            | 0         | 23.7                    | 23.3   | 23.1   | 23.2   | 23.2   | 23.2   |
|                 | QPSK       | 1             | 0         | 23.8                    | 23.9   | 23.7   | 23.2   | 23.3   | 23.1   |
|                 |            | 1             | 1         | 24.4                    | 24.4   | 24.2   | 23.7   | 24.0   | 23.7   |
|                 |            | 1             | 50        | 24.2                    | 24.2   | 24.0   | 23.7   | 23.9   | 23.6   |
|                 |            | 1             | 51        | 23.8                    | 23.7   | 23.5   | 23.1   | 23.2   | 23.2   |
|                 |            | 25            | 12        | 23.3                    | 23.3   | 23.2   | 22.8   | 22.8   | 22.7   |
|                 |            | 50            | 0         | 23.4                    | 23.3   | 23.2   | 22.9   | 22.9   | 22.8   |
|                 | 16QAM      | 1             | 0         | 22.7                    | 23.1   | 22.2   | 22.6   | 22.7   | 21.9   |
|                 |            | 1             | 1         | 24.1                    | 24.0   | 23.3   | 23.2   | 23.0   | 22.9   |
|                 |            | 1             | 50        | 23.9                    | 23.4   | 23.5   | 23.1   | 23.0   | 22.6   |
|                 |            | 1             | 51        | 23.0                    | 22.2   | 22.3   | 22.4   | 21.9   | 21.8   |
|                 |            | 25            | 12        | 23.7                    | 23.5   | 23.0   | 23.1   | 23.2   | 23.1   |
|                 |            | 50            | 0         | 22.5                    | 22.4   | 22.0   | 22.1   | 22.1   | 22.0   |
|                 | 64QAM      | 1             | 0         | 22.3                    | 21.7   | 21.8   | 21.7   | 22.4   | 21.7   |
|                 |            | 1             | 1         | 22.3                    | 21.9   | 21.7   | 22.0   | 22.0   | 21.4   |
|                 |            | 1             | 50        | 22.4                    | 21.9   | 21.8   | 22.0   | 21.9   | 21.4   |
|                 |            | 1             | 51        | 22.4                    | 22.1   | 21.3   | 21.9   | 22.3   | 22.0   |
|                 |            | 25            | 12        | 22.2                    | 22.0   | 21.8   | 21.8   | 21.7   | 21.7   |
|                 |            | 50            | 0         | 22.2                    | 22.1   | 21.8   | 21.7   | 21.7   | 21.7   |
|                 | 256QAM     | 1             | 0         | 18.4                    | 19.0   | 18.8   | 18.5   | 18.3   | 18.0   |
| 1               |            | 1             | 18.5      | 19.3                    | 18.6   | 18.1   | 18.5   | 18.1   |        |
| 1               |            | 50            | 18.8      | 18.8                    | 18.5   | 18.5   | 18.3   | 18.3   |        |
| 1               |            | 51            | 18.5      | 19.1                    | 18.5   | 18.2   | 18.2   | 18.7   |        |
| 25              |            | 12            | 18.7      | 18.8                    | 18.6   | 18.3   | 18.3   | 18.1   |        |
| 50              |            | 0             | 18.8      | 18.7                    | 18.6   | 18.2   | 18.3   | 18.2   |        |

**OUTPUT POWER FOR 5G NR n26 (15.0 MHz)**

| Bandwidth (MHz) | Modulation | RB Allocation | RB Offset | Conducted Average (dBm) |        |             |             |             |             |
|-----------------|------------|---------------|-----------|-------------------------|--------|-------------|-------------|-------------|-------------|
|                 |            |               |           | ANT 0                   |        |             | ANT 1       |             |             |
|                 |            |               |           | 166300                  | 167300 | 168300      | 166300      | 167300      | 168300      |
| 15.0            | BPSK       | 1             | 0         | 23.8                    | 23.6   | 23.9        | 24.1        | 24.2        | 24.3        |
|                 |            | 1             | 1         | 24.7                    | 24.7   | <b>24.8</b> | 22.6        | 22.8        | 22.6        |
|                 |            | 1             | 77        | 24.6                    | 24.5   | 24.6        | <b>24.9</b> | 24.8        | 22.5        |
|                 |            | 1             | 78        | 23.8                    | 23.8   | 23.6        | 23.9        | 23.9        | 24.1        |
|                 |            | 36            | 18        | 24.8                    | 24.8   | 24.7        | 22.7        | 22.7        | 22.6        |
|                 |            | 75            | 0         | 23.8                    | 23.8   | 23.7        | 24.2        | 24.1        | 24.0        |
|                 | QPSK       | 1             | 0         | 23.8                    | 24.0   | 24.0        | 24.2        | 24.1        | 24.4        |
|                 |            | 1             | 1         | 24.7                    | 24.6   | <b>24.9</b> | 24.1        | 23.9        | 24.2        |
|                 |            | 1             | 77        | 24.5                    | 24.7   | 24.8        | 24.0        | 24.9        | 25.0        |
|                 |            | 1             | 78        | 23.6                    | 23.8   | 23.7        | 23.9        | 23.8        | 24.1        |
|                 |            | 36            | 18        | 24.8                    | 24.8   | 24.7        | 24.1        | 23.7        | <b>25.0</b> |
|                 |            | 75            | 0         | 23.8                    | 23.8   | 23.7        | 24.1        | 24.1        | 24.1        |
|                 | 16QAM      | 1             | 0         | 23.0                    | 23.0   | 22.7        | 23.4        | 23.3        | 23.2        |
|                 |            | 1             | 1         | <b>23.9</b>             | 23.9   | 23.8        | 24.1        | <b>24.3</b> | 24.1        |
|                 |            | 1             | 77        | 23.9                    | 23.6   | 23.5        | 24.1        | 23.7        | 23.9        |
|                 |            | 1             | 78        | 22.9                    | 22.7   | 22.7        | 23.3        | 22.7        | 23.0        |
|                 |            | 36            | 18        | 23.7                    | 23.7   | 23.6        | 24.1        | 24.0        | 24.1        |
|                 |            | 75            | 0         | 22.8                    | 22.7   | 22.7        | 23.2        | 23.1        | 23.0        |
|                 | 64QAM      | 1             | 0         | 22.6                    | 22.2   | 22.4        | 22.6        | 22.6        | 22.8        |
|                 |            | 1             | 1         | <b>22.7</b>             | 22.5   | 22.2        | 22.7        | <b>23.0</b> | 22.7        |
|                 |            | 1             | 77        | 22.6                    | 22.6   | 22.1        | 22.6        | 22.5        | 22.4        |
|                 |            | 1             | 78        | 22.4                    | 22.2   | 22.2        | 22.4        | 22.5        | 22.6        |
|                 |            | 36            | 18        | 22.4                    | 22.3   | 22.2        | 22.6        | 22.6        | 22.5        |
|                 |            | 75            | 0         | 22.3                    | 22.2   | 22.2        | 22.7        | 22.6        | 22.5        |
|                 | 256QAM     | 1             | 0         | 18.8                    | 18.7   | 19.0        | 18.9        | 18.8        | 19.1        |
|                 |            | 1             | 1         | 18.9                    | 18.7   | <b>19.1</b> | 19.0        | 18.8        | 19.1        |
|                 |            | 1             | 77        | 18.7                    | 18.5   | 18.4        | 18.7        | 18.3        | 19.0        |
|                 |            | 1             | 78        | 18.5                    | 18.5   | 18.7        | 18.6        | 18.3        | <b>19.1</b> |
|                 |            | 36            | 18        | 18.8                    | 18.7   | 18.7        | 19.1        | 19.1        | 19.1        |
|                 |            | 75            | 0         | 18.8                    | 18.8   | 18.7        | <b>19.1</b> | 19.0        | 19.0        |

**OUTPUT POWER FOR 5G NR n26 (20.0 MHz)**

| Bandwidth (MHz) | Modulation | RB Allocation | RB Offset | Conducted Average (dBm) |             |             |             |             |        |
|-----------------|------------|---------------|-----------|-------------------------|-------------|-------------|-------------|-------------|--------|
|                 |            |               |           | ANT 0                   |             |             | ANT 1       |             |        |
|                 |            |               |           | 166800                  | 167300      | 167800      | 166800      | 167300      | 167800 |
| 20.0            | BPSK       | 1             | 0         | 23.7                    | 23.9        | 23.7        | 24.0        | 24.2        | 24.1   |
|                 |            | 1             | 1         | 24.7                    | <b>25.0</b> | 24.8        | 22.6        | 22.6        | 22.8   |
|                 |            | 1             | 104       | 24.5                    | 24.7        | 24.5        | 24.9        | <b>25.0</b> | 24.9   |
|                 |            | 1             | 105       | 23.4                    | 23.7        | 23.4        | 23.9        | 23.9        | 23.9   |
|                 |            | 50            | 25        | 24.7                    | 24.7        | 24.7        | 22.7        | 22.7        | 22.7   |
|                 |            | 100           | 0         | 23.8                    | 23.7        | 23.7        | 24.1        | 24.1        | 24.1   |
|                 | QPSK       | 1             | 0         | 23.7                    | 23.8        | 23.8        | 24.2        | 24.2        | 24.1   |
|                 |            | 1             | 1         | 24.6                    | 24.8        | <b>24.8</b> | 24.1        | 24.0        | 24.0   |
|                 |            | 1             | 104       | 24.6                    | 24.5        | 24.6        | 24.9        | <b>25.0</b> | 24.9   |
|                 |            | 1             | 105       | 23.5                    | 23.6        | 23.6        | 23.9        | 24.0        | 23.9   |
|                 |            | 50            | 25        | 24.8                    | 24.7        | 24.7        | 23.9        | 23.7        | 23.6   |
|                 |            | 100           | 0         | 23.8                    | 23.7        | 23.7        | 24.1        | 24.1        | 24.1   |
|                 | 16QAM      | 1             | 0         | 22.7                    | 22.9        | 22.7        | 23.0        | 23.1        | 23.2   |
|                 |            | 1             | 1         | 23.8                    | 23.8        | <b>24.0</b> | <b>24.2</b> | 24.2        | 24.2   |
|                 |            | 1             | 104       | 23.7                    | 23.6        | 23.5        | 24.0        | 23.9        | 24.0   |
|                 |            | 1             | 105       | 22.6                    | 22.4        | 22.8        | 22.9        | 22.7        | 23.1   |
|                 |            | 50            | 25        | 23.8                    | 23.7        | 23.7        | 24.1        | 24.1        | 24.0   |
|                 |            | 100           | 0         | 22.8                    | 22.8        | 22.7        | 23.1        | 23.1        | 23.0   |
|                 | 64QAM      | 1             | 0         | 22.3                    | <b>22.5</b> | 22.2        | 22.6        | 22.5        | 22.5   |
|                 |            | 1             | 1         | 22.5                    | 22.3        | 22.4        | 22.8        | <b>23.0</b> | 22.5   |
|                 |            | 1             | 104       | 22.4                    | 22.1        | 21.8        | 22.3        | 22.5        | 22.2   |
|                 |            | 1             | 105       | 22.3                    | 22.4        | 21.8        | 22.4        | 22.2        | 22.3   |
|                 |            | 50            | 25        | 22.3                    | 22.3        | 22.3        | 22.6        | 22.6        | 22.5   |
|                 |            | 100           | 0         | 22.2                    | 22.2        | 22.2        | 22.5        | 22.6        | 22.5   |
|                 | 256QAM     | 1             | 0         | <b>19.0</b>             | 18.8        | 18.9        | <b>19.3</b> | 19.1        | 19.2   |
|                 |            | 1             | 1         | 18.9                    | 19.0        | 18.9        | 19.2        | 19.1        | 19.1   |
|                 |            | 1             | 104       | 18.6                    | 18.7        | 18.4        | 19.0        | 18.8        | 18.8   |
|                 |            | 1             | 105       | 18.8                    | 18.7        | 18.4        | 19.1        | 19.0        | 18.8   |
|                 |            | 50            | 25        | 18.8                    | 18.8        | 18.8        | 19.2        | 19.2        | 19.1   |
|                 |            | 100           | 0         | 18.8                    | 18.7        | 18.8        | 19.1        | 19.1        | 19.1   |

### 8.10. LTE BAND 30 AND 5G NR n30

#### LTE BAND 30

|                          |                                 |                   |                          |
|--------------------------|---------------------------------|-------------------|--------------------------|
| <b>Test Engineer ID:</b> | 24522NV, 39005RA<br>and 50813CM | <b>Test Date:</b> | 2024-01-23 to 2024-03-26 |
|--------------------------|---------------------------------|-------------------|--------------------------|

#### OUTPUT POWER FOR LTE BAND 30 (5.0 MHz)

| Bandwidth (MHz) | Modulation | RB Allocation | RB Offset | Conducted Average (dBm) |             |             |             |             |             |
|-----------------|------------|---------------|-----------|-------------------------|-------------|-------------|-------------|-------------|-------------|
|                 |            |               |           | ANT 2                   |             |             | ANT 0       |             |             |
|                 |            |               |           | 27685                   | 27710       | 27735       | 27685       | 27710       | 27735       |
| 5.0             | QPSK       | 1             | 0         | 23.6                    | 24.1        | 23.6        | 23.2        | 23.3        | 23.3        |
|                 |            | 1             | 12        | 23.7                    | <b>24.2</b> | 23.7        | 23.2        | 23.2        | <b>23.4</b> |
|                 |            | 1             | 24        | 23.6                    | 24.1        | 23.6        | 23.2        | 23.3        | 23.2        |
|                 |            | 12            | 0         | 23.6                    | 23.2        | 23.5        | 23.1        | 23.3        | 23.1        |
|                 |            | 12            | 6         | 23.7                    | 23.3        | 23.4        | 23.1        | 23.3        | 23.1        |
|                 |            | 12            | 11        | 23.7                    | 23.3        | 23.4        | 23.1        | 23.3        | 23.1        |
|                 |            | 25            | 0         | 23.6                    | 23.3        | 23.4        | 23.1        | 23.3        | 23.1        |
|                 | 16QAM      | 1             | 0         | 23.6                    | 23.5        | 23.5        | 23.2        | <b>23.4</b> | 23.1        |
|                 |            | 1             | 12        | <b>23.8</b>             | 23.8        | 23.5        | 23.2        | 23.4        | 23.1        |
|                 |            | 1             | 24        | 23.7                    | 23.7        | 23.4        | 23.1        | 23.2        | 23.0        |
|                 |            | 12            | 0         | 22.7                    | 22.2        | 22.7        | 22.4        | 22.4        | 22.4        |
|                 |            | 12            | 6         | 22.7                    | 22.2        | 22.7        | 22.4        | 22.4        | 22.4        |
|                 |            | 12            | 11        | 22.7                    | 22.3        | 22.7        | 22.4        | 22.4        | 22.4        |
|                 |            | 25            | 0         | 22.7                    | 22.3        | 22.8        | 22.4        | 22.4        | 22.4        |
|                 | 64QAM      | 1             | 0         | 22.9                    | 22.3        | 23.0        | 22.6        | 22.4        | 22.5        |
|                 |            | 1             | 12        | 23.1                    | 22.2        | <b>23.2</b> | <b>22.8</b> | 22.7        | 22.7        |
|                 |            | 1             | 24        | 23.0                    | 22.4        | 23.0        | 22.7        | 22.5        | 22.5        |
|                 |            | 12            | 0         | 21.7                    | 21.3        | 21.8        | 21.4        | 21.4        | 21.5        |
|                 |            | 12            | 6         | 21.7                    | 21.3        | 21.8        | 21.5        | 21.4        | 21.5        |
|                 |            | 12            | 11        | 21.7                    | 21.3        | 21.8        | 21.4        | 21.4        | 21.4        |
|                 |            | 25            | 0         | 21.7                    | 21.3        | 21.7        | 21.4        | 21.4        | 21.4        |
|                 | 256QAM     | 1             | 0         | 19.8                    | 19.3        | 19.9        | 19.5        | 19.4        | 19.5        |
|                 |            | 1             | 12        | 19.9                    | 19.5        | <b>20.0</b> | 19.6        | 19.4        | <b>19.7</b> |
|                 |            | 1             | 24        | 19.8                    | 19.4        | 19.9        | 19.5        | 19.4        | 19.5        |
|                 |            | 12            | 0         | 19.7                    | 19.2        | 19.8        | 19.4        | 19.3        | 19.4        |
|                 |            | 12            | 6         | 19.7                    | 19.2        | 19.8        | 19.4        | 19.3        | 19.4        |
|                 |            | 12            | 11        | 19.7                    | 19.2        | 19.7        | 19.4        | 19.3        | 19.4        |
|                 |            | 25            | 0         | 19.7                    | 19.2        | 19.7        | 19.4        | 19.4        | 19.4        |

#### OUTPUT POWER FOR LTE BAND 30 (10.0 MHz)

| Bandwidth (MHz) | Modulation | RB Allocation | RB Offset | Conducted Average (dBm) |             |     |       |             |     |
|-----------------|------------|---------------|-----------|-------------------------|-------------|-----|-------|-------------|-----|
|                 |            |               |           | ANT 2                   |             |     | ANT 0 |             |     |
|                 |            |               |           | N/A                     | 27710       | N/A | N/A   | 27710       | N/A |
| 10.0            | QPSK       | 1             | 0         |                         | 24.1        |     |       | <b>24.1</b> |     |
|                 |            | 1             | 24        |                         | <b>24.2</b> |     |       | 24.0        |     |
|                 |            | 1             | 49        |                         | 24.2        |     |       | 24.0        |     |
|                 |            | 25            | 0         |                         | 23.3        |     |       | 23.1        |     |
|                 |            | 25            | 12        |                         | 23.2        |     |       | 23.1        |     |
|                 |            | 25            | 24        |                         | 23.3        |     |       | 23.0        |     |
|                 |            | 50            | 0         |                         | 23.2        |     |       | 23.1        |     |
|                 | 16QAM      | 1             | 0         |                         | 23.5        |     |       | 23.3        |     |
|                 |            | 1             | 24        |                         | <b>23.5</b> |     |       | <b>23.4</b> |     |
|                 |            | 1             | 49        |                         | 23.4        |     |       | 23.1        |     |
|                 |            | 25            | 0         |                         | 22.3        |     |       | 22.1        |     |
|                 |            | 25            | 12        |                         | 22.3        |     |       | 22.1        |     |
|                 |            | 25            | 24        |                         | 22.3        |     |       | 22.1        |     |
|                 |            | 50            | 0         |                         | 22.3        |     |       | 22.1        |     |
|                 | 64QAM      | 1             | 0         |                         | 22.4        |     |       | 22.3        |     |
|                 |            | 1             | 24        |                         | <b>22.6</b> |     |       | <b>22.4</b> |     |
|                 |            | 1             | 49        |                         | 22.4        |     |       | 22.3        |     |
|                 |            | 25            | 0         |                         | 21.2        |     |       | 21.2        |     |
|                 |            | 25            | 12        |                         | 21.3        |     |       | 21.1        |     |
|                 |            | 25            | 24        |                         | 21.3        |     |       | 21.1        |     |
|                 |            | 50            | 0         |                         | 21.3        |     |       | 21.2        |     |
|                 | 256QAM     | 1             | 0         |                         | 19.3        |     |       | 19.3        |     |
|                 |            | 1             | 24        |                         | 19.4        |     |       | <b>19.4</b> |     |
|                 |            | 1             | 49        |                         | <b>19.4</b> |     |       | 19.2        |     |
|                 |            | 25            | 0         |                         | 19.3        |     |       | 19.2        |     |
|                 |            | 25            | 12        |                         | 19.3        |     |       | 19.2        |     |
|                 |            | 25            | 24        |                         | 19.3        |     |       | 19.2        |     |
|                 |            | 50            | 0         |                         | 19.2        |     |       | 19.2        |     |

**5G NR n30**

|                   |         |            |            |
|-------------------|---------|------------|------------|
| Test Engineer ID: | 28498AC | Test Date: | 2024-02-09 |
|-------------------|---------|------------|------------|

**OUTPUT POWER FOR 5G NR n30 (5.0 MHz)**

| Bandwidth (MHz) | Modulation | RB Allocation | RB Offset | Conducted Average (dBm) |             |             |             |             |             |
|-----------------|------------|---------------|-----------|-------------------------|-------------|-------------|-------------|-------------|-------------|
|                 |            |               |           | ANT 2                   |             |             | ANT 0       |             |             |
|                 |            |               |           | 461500                  | 462000      | 462500      | 461500      | 462000      | 462500      |
| 5.0             | BPSK       | 1             | 0         | 24.3                    | 24.4        | 24.4        | 23.9        | 23.9        | 23.9        |
|                 |            | 1             | 1         | 24.7                    | 24.8        | <b>24.9</b> | 24.6        | 24.7        | 24.8        |
|                 |            | 1             | 23        | 24.5                    | 24.7        | 24.8        | 24.7        | <b>24.9</b> | 24.7        |
|                 |            | 1             | 24        | 24.2                    | 24.3        | 24.4        | 23.7        | 24.2        | 24.1        |
|                 |            | 12            | 6         | 24.8                    | 24.6        | 24.7        | 24.8        | 24.7        | 24.7        |
|                 |            | 25            | 0         | 24.4                    | 24.4        | 24.3        | 23.9        | 23.8        | 23.8        |
|                 | QPSK       | 1             | 0         | 24.0                    | 23.9        | 23.9        | 24.3        | 23.8        | 24.0        |
|                 |            | 1             | 1         | <b>24.9</b>             | 24.8        | <b>24.9</b> | 24.6        | 24.1        | 24.2        |
|                 |            | 1             | 23        | 24.8                    | 24.6        | 24.7        | <b>24.6</b> | 24.1        | 24.1        |
|                 |            | 1             | 24        | 24.0                    | 24.1        | 24.1        | 24.4        | 23.8        | 23.9        |
|                 |            | 12            | 6         | 24.8                    | 24.8        | 24.7        | 24.2        | 24.1        | 24.1        |
|                 |            | 25            | 0         | 23.9                    | 23.9        | 23.8        | 24.0        | 24.0        | 23.9        |
|                 | 16QAM      | 1             | 0         | 23.0                    | 22.4        | 22.6        | 22.7        | 22.5        | 23.0        |
|                 |            | 1             | 1         | 24.0                    | 23.9        | <b>24.4</b> | <b>24.2</b> | 23.4        | 24.1        |
|                 |            | 1             | 23        | 24.3                    | 23.8        | 23.9        | 23.8        | 23.4        | 24.0        |
|                 |            | 1             | 24        | 23.0                    | 23.6        | 22.5        | 22.9        | 23.5        | 22.8        |
|                 |            | 12            | 6         | 23.9                    | 23.8        | 23.8        | 23.9        | 24.0        | 23.8        |
|                 |            | 25            | 0         | 23.0                    | 22.8        | 22.9        | 22.9        | 22.8        | 22.8        |
|                 | 64QAM      | 1             | 0         | 22.2                    | <b>23.0</b> | 22.1        | 22.0        | 22.6        | 22.4        |
|                 |            | 1             | 1         | 22.5                    | 22.6        | 22.3        | 22.5        | 22.1        | 22.2        |
|                 |            | 1             | 23        | 22.3                    | 22.5        | 22.3        | 22.6        | 22.1        | <b>23.2</b> |
|                 |            | 1             | 24        | 22.4                    | 22.5        | 22.5        | 22.6        | 21.9        | 23.0        |
|                 |            | 12            | 6         | 22.4                    | 22.4        | 22.2        | 22.4        | 22.1        | 22.2        |
|                 |            | 25            | 0         | 22.3                    | 22.3        | 22.4        | 22.2        | 22.3        | 22.2        |
|                 | 256QAM     | 1             | 0         | 21.0                    | 20.3        | 20.3        | 19.4        | 20.5        | 20.1        |
|                 |            | 1             | 1         | 20.9                    | 20.3        | 20.3        | 20.2        | 20.5        | 20.4        |
|                 |            | 1             | 23        | 19.6                    | 20.6        | 20.2        | 20.2        | 20.0        | 20.5        |
|                 |            | 1             | 24        | 20.4                    | 20.5        | <b>21.0</b> | 20.5        | 20.5        | <b>20.6</b> |
|                 |            | 12            | 6         | 20.4                    | 20.4        | 20.5        | 20.3        | 20.4        | 20.4        |
|                 |            | 25            | 0         | 20.3                    | 20.2        | 20.4        | 20.3        | 20.2        | 20.3        |

**OUTPUT POWER FOR 5G NR n30 (10.0 MHz)**

| Bandwidth (MHz) | Modulation | RB Allocation | RB Offset | Conducted Average (dBm) |             |     |       |             |     |
|-----------------|------------|---------------|-----------|-------------------------|-------------|-----|-------|-------------|-----|
|                 |            |               |           | ANT 2                   |             |     | ANT 0 |             |     |
|                 |            |               |           | N/A                     | 462000      | N/A | N/A   | 462000      | N/A |
| 10.0            | BPSK       | 1             | 0         |                         | 24.5        |     |       | 24.0        |     |
|                 |            | 1             | 1         |                         | 24.7        |     |       | <b>24.8</b> |     |
|                 |            | 1             | 50        |                         | 24.7        |     |       | 24.7        |     |
|                 |            | 1             | 51        |                         | 24.4        |     |       | 23.9        |     |
|                 |            | 25            | 12        |                         | <b>24.8</b> |     |       | 24.8        |     |
|                 |            | 50            | 0         |                         | 24.4        |     |       | 23.8        |     |
|                 | QPSK       | 1             | 0         |                         | 24.1        |     |       | 24.0        |     |
|                 |            | 1             | 1         |                         | 24.5        |     |       | <b>24.3</b> |     |
|                 |            | 1             | 50        |                         | 24.7        |     |       | 24.2        |     |
|                 |            | 1             | 51        |                         | 24.0        |     |       | 24.0        |     |
|                 |            | 25            | 12        |                         | <b>24.8</b> |     |       | 24.1        |     |
|                 |            | 50            | 0         |                         | 23.9        |     |       | 24.0        |     |
|                 | 16QAM      | 1             | 0         |                         | 22.3        |     |       | 22.1        |     |
|                 |            | 1             | 1         |                         | 23.4        |     |       | 23.8        |     |
|                 |            | 1             | 50        |                         | <b>23.9</b> |     |       | 23.6        |     |
|                 |            | 1             | 51        |                         | 22.4        |     |       | 22.8        |     |
|                 |            | 25            | 12        |                         | 23.9        |     |       | <b>23.9</b> |     |
|                 |            | 50            | 0         |                         | 22.9        |     |       | 22.8        |     |
|                 | 64QAM      | 1             | 0         |                         | <b>22.6</b> |     |       | 22.4        |     |
|                 |            | 1             | 1         |                         | 22.5        |     |       | <b>22.7</b> |     |
|                 |            | 1             | 50        |                         | 21.9        |     |       | 22.4        |     |
|                 |            | 1             | 51        |                         | 22.6        |     |       | 22.5        |     |
|                 |            | 25            | 12        |                         | 22.3        |     |       | 22.4        |     |
|                 |            | 50            | 0         |                         | 22.3        |     |       | 22.3        |     |
|                 | 256QAM     | 1             | 0         |                         | 20.8        |     |       | 20.7        |     |
|                 |            | 1             | 1         |                         | 20.8        |     |       | 20.3        |     |
|                 |            | 1             | 50        |                         | 20.5        |     |       | <b>20.8</b> |     |
|                 |            | 1             | 51        |                         | <b>20.9</b> |     |       | 20.3        |     |
|                 |            | 25            | 12        |                         | 20.4        |     |       | 20.3        |     |
|                 |            | 50            | 0         |                         | 20.3        |     |       | 20.3        |     |

## 8.11. LTE BAND 41 AND 5G NR n41

### LTE BAND 41

|                          |                                 |                   |                          |
|--------------------------|---------------------------------|-------------------|--------------------------|
| <b>Test Engineer ID:</b> | 24522NV, 24937ZM<br>and 32563AS | <b>Test Date:</b> | 2024-01-19 to 2024-01-23 |
|--------------------------|---------------------------------|-------------------|--------------------------|

### OUTPUT POWER FOR LTE BAND 41 (5.0 MHz)

| Bandwidth (MHz) | Modulation | RB Allocation | RB Offset | Conducted Average (dBm) |       |       |       |       |       |
|-----------------|------------|---------------|-----------|-------------------------|-------|-------|-------|-------|-------|
|                 |            |               |           | ANT 2                   |       |       | ANT 0 |       |       |
|                 |            |               |           | 39675                   | 40620 | 41565 | 39675 | 40620 | 41565 |
| 5.0             | QPSK       | 1             | 0         | 24.4                    | 24.3  | 24.3  | 23.6  | 23.4  | 23.3  |
|                 |            | 1             | 12        | 24.3                    | 24.2  | 24.3  | 23.4  | 23.3  | 23.1  |
|                 |            | 1             | 24        | 24.4                    | 24.2  | 24.3  | 23.5  | 23.3  | 23.2  |
|                 |            | 12            | 0         | 23.4                    | 23.3  | 23.3  | 22.6  | 22.4  | 22.3  |
|                 |            | 12            | 6         | 23.4                    | 23.3  | 23.3  | 22.6  | 22.3  | 22.3  |
|                 |            | 12            | 11        | 23.4                    | 23.3  | 23.3  | 22.6  | 22.3  | 22.2  |
|                 |            | 25            | 0         | 23.4                    | 23.3  | 23.3  | 22.6  | 22.4  | 22.2  |
|                 | 16QAM      | 1             | 0         | 23.4                    | 23.4  | 23.4  | 22.6  | 22.5  | 22.3  |
|                 |            | 1             | 12        | 23.3                    | 23.3  | 23.2  | 22.6  | 22.4  | 22.1  |
|                 |            | 1             | 24        | 23.4                    | 23.3  | 23.3  | 22.6  | 22.5  | 22.3  |
|                 |            | 12            | 0         | 22.4                    | 22.3  | 22.3  | 21.6  | 21.4  | 21.3  |
|                 |            | 12            | 6         | 22.4                    | 22.3  | 22.3  | 21.6  | 21.4  | 21.3  |
|                 |            | 12            | 11        | 22.4                    | 22.3  | 22.3  | 21.6  | 21.4  | 21.3  |
|                 |            | 25            | 0         | 22.4                    | 22.3  | 22.4  | 21.6  | 21.4  | 21.2  |
|                 | 64QAM      | 1             | 0         | 22.5                    | 22.6  | 22.3  | 21.6  | 21.4  | 21.4  |
|                 |            | 1             | 12        | 22.4                    | 22.4  | 22.2  | 21.5  | 21.2  | 21.1  |
|                 |            | 1             | 24        | 22.4                    | 22.5  | 22.3  | 21.5  | 21.3  | 21.3  |
|                 |            | 12            | 0         | 21.5                    | 21.3  | 21.3  | 20.6  | 20.4  | 20.2  |
|                 |            | 12            | 6         | 21.5                    | 21.2  | 21.3  | 20.6  | 20.4  | 20.3  |
|                 |            | 12            | 11        | 21.5                    | 21.2  | 21.3  | 20.6  | 20.3  | 20.3  |
|                 |            | 25            | 0         | 21.5                    | 21.2  | 21.3  | 20.6  | 20.4  | 20.2  |
|                 | 256QAM     | 1             | 0         | 19.4                    | 19.1  | 19.2  | 18.6  | 18.4  | 18.2  |
|                 |            | 1             | 12        | 19.3                    | 19.0  | 19.0  | 18.6  | 18.3  | 18.1  |
|                 |            | 1             | 24        | 19.4                    | 19.1  | 19.1  | 18.6  | 18.4  | 18.2  |
|                 |            | 12            | 0         | 19.4                    | 19.2  | 19.2  | 18.5  | 18.4  | 18.2  |
| 12              |            | 6             | 19.4      | 19.2                    | 19.2  | 18.5  | 18.4  | 18.2  |       |
| 12              |            | 11            | 19.4      | 19.2                    | 19.2  | 18.5  | 18.3  | 18.2  |       |
| 25              |            | 0             | 19.4      | 19.1                    | 19.2  | 18.5  | 18.3  | 18.2  |       |

### OUTPUT POWER FOR LTE BAND 41 (10.0 MHz)

| Bandwidth (MHz) | Modulation | RB Allocation | RB Offset | Conducted Average (dBm) |       |       |       |       |       |
|-----------------|------------|---------------|-----------|-------------------------|-------|-------|-------|-------|-------|
|                 |            |               |           | ANT 2                   |       |       | ANT 0 |       |       |
|                 |            |               |           | 39700                   | 40620 | 41540 | 39700 | 40620 | 41540 |
| 10.0            | QPSK       | 1             | 0         | 24.5                    | 24.3  | 24.4  | 23.6  | 23.4  | 23.3  |
|                 |            | 1             | 24        | 24.6                    | 24.2  | 24.4  | 23.4  | 23.2  | 23.1  |
|                 |            | 1             | 49        | 24.4                    | 24.2  | 24.3  | 23.5  | 23.3  | 23.1  |
|                 |            | 25            | 0         | 23.4                    | 23.3  | 23.3  | 22.6  | 22.4  | 22.3  |
|                 |            | 25            | 12        | 23.4                    | 23.3  | 23.3  | 22.6  | 22.4  | 22.3  |
|                 |            | 25            | 24        | 23.4                    | 23.2  | 23.3  | 22.6  | 22.4  | 22.2  |
|                 |            | 50            | 0         | 23.4                    | 23.3  | 23.3  | 22.6  | 22.4  | 22.3  |
|                 | 16QAM      | 1             | 0         | 23.3                    | 23.2  | 23.2  | 22.7  | 22.5  | 22.4  |
|                 |            | 1             | 24        | 23.4                    | 23.2  | 23.4  | 22.7  | 22.4  | 22.5  |
|                 |            | 1             | 49        | 23.3                    | 23.2  | 23.2  | 22.7  | 22.5  | 22.4  |
|                 |            | 25            | 0         | 22.4                    | 22.3  | 22.3  | 21.6  | 21.4  | 21.3  |
|                 |            | 25            | 12        | 22.4                    | 22.3  | 22.3  | 21.6  | 21.4  | 21.3  |
|                 |            | 25            | 24        | 22.4                    | 22.3  | 22.3  | 21.6  | 21.4  | 21.3  |
|                 |            | 50            | 0         | 22.5                    | 22.3  | 22.3  | 21.6  | 21.4  | 21.3  |
|                 | 64QAM      | 1             | 0         | 22.3                    | 22.2  | 22.3  | 21.5  | 21.4  | 21.2  |
|                 |            | 1             | 24        | 22.2                    | 22.0  | 22.1  | 21.5  | 21.1  | 21.2  |
|                 |            | 1             | 49        | 22.3                    | 22.2  | 22.3  | 21.4  | 21.4  | 21.1  |
|                 |            | 25            | 0         | 21.5                    | 21.3  | 21.3  | 20.7  | 20.3  | 20.3  |
|                 |            | 25            | 12        | 21.5                    | 21.3  | 21.3  | 20.6  | 20.3  | 20.2  |
|                 |            | 25            | 24        | 21.5                    | 21.3  | 21.2  | 20.6  | 20.3  | 20.2  |
|                 |            | 50            | 0         | 21.5                    | 21.3  | 21.2  | 20.6  | 20.4  | 20.2  |
|                 | 256QAM     | 1             | 0         | 19.4                    | 19.2  | 19.1  | 18.5  | 18.4  | 18.2  |
|                 |            | 1             | 24        | 19.5                    | 19.3  | 19.3  | 18.3  | 18.4  | 18.0  |
|                 |            | 1             | 49        | 19.4                    | 19.2  | 19.2  | 18.4  | 18.3  | 18.1  |
|                 |            | 25            | 0         | 19.4                    | 19.2  | 19.2  | 18.6  | 18.4  | 18.2  |
| 25              |            | 12            | 19.4      | 19.2                    | 19.2  | 18.5  | 18.4  | 18.2  |       |
| 25              |            | 24            | 19.3      | 19.2                    | 19.2  | 18.5  | 18.3  | 18.2  |       |
| 50              |            | 0             | 19.4      | 19.2                    | 19.2  | 18.5  | 18.4  | 18.2  |       |

**OUTPUT POWER FOR LTE BAND 41 (15.0 MHz)**

| Bandwidth (MHz) | Modulation | RB Allocation | RB Offset | Conducted Average (dBm) |       |       |       |       |       |
|-----------------|------------|---------------|-----------|-------------------------|-------|-------|-------|-------|-------|
|                 |            |               |           | ANT 2                   |       |       | ANT 0 |       |       |
|                 |            |               |           | 39725                   | 40620 | 41515 | 39725 | 40620 | 41515 |
| 15.0            | QPSK       | 1             | 0         | 24.4                    | 24.3  | 24.4  | 23.6  | 23.3  | 23.4  |
|                 |            | 1             | 37        | 24.3                    | 24.3  | 24.2  | 23.4  | 23.4  | 23.2  |
|                 |            | 1             | 74        | 24.3                    | 24.3  | 24.3  | 23.5  | 23.3  | 23.2  |
|                 |            | 36            | 0         | 23.4                    | 23.3  | 23.4  | 22.6  | 22.4  | 22.3  |
|                 |            | 36            | 16        | 23.3                    | 23.3  | 23.3  | 22.6  | 22.4  | 22.2  |
|                 |            | 36            | 35        | 23.3                    | 23.3  | 23.3  | 22.6  | 22.3  | 22.2  |
|                 |            | 75            | 0         | 23.4                    | 23.3  | 23.3  | 22.6  | 22.4  | 22.3  |
|                 | 16QAM      | 1             | 0         | 23.2                    | 23.5  | 23.5  | 22.6  | 22.4  | 22.0  |
|                 |            | 1             | 37        | 23.0                    | 23.3  | 23.5  | 22.3  | 22.1  | 22.3  |
|                 |            | 1             | 74        | 23.7                    | 23.4  | 23.2  | 22.5  | 22.6  | 22.2  |
|                 |            | 36            | 0         | 22.4                    | 22.3  | 22.3  | 21.6  | 21.4  | 21.4  |
|                 |            | 36            | 16        | 22.4                    | 22.3  | 22.3  | 21.5  | 21.3  | 21.2  |
|                 |            | 36            | 35        | 22.4                    | 22.3  | 22.3  | 21.6  | 21.3  | 21.3  |
|                 |            | 75            | 0         | 22.4                    | 22.3  | 22.3  | 21.6  | 21.4  | 21.2  |
|                 | 64QAM      | 1             | 0         | 22.5                    | 22.5  | 21.9  | 21.5  | 21.5  | 21.0  |
|                 |            | 1             | 37        | 22.4                    | 22.3  | 22.2  | 21.6  | 21.3  | 21.2  |
|                 |            | 1             | 74        | 22.2                    | 21.8  | 22.3  | 21.6  | 21.5  | 21.1  |
|                 |            | 36            | 0         | 21.5                    | 21.3  | 21.3  | 20.6  | 20.3  | 20.3  |
|                 |            | 36            | 16        | 21.4                    | 21.3  | 21.3  | 20.6  | 20.4  | 20.3  |
|                 |            | 36            | 35        | 21.4                    | 21.3  | 21.3  | 20.6  | 20.3  | 20.3  |
|                 |            | 75            | 0         | 21.4                    | 21.2  | 21.2  | 20.6  | 20.3  | 20.2  |
|                 | 256QAM     | 1             | 0         | 19.2                    | 19.4  | 19.1  | 18.7  | 18.2  | 18.0  |
|                 |            | 1             | 37        | 18.8                    | 19.3  | 19.1  | 18.3  | 18.4  | 18.4  |
|                 |            | 1             | 74        | 19.6                    | 19.3  | 19.4  | 18.6  | 18.5  | 18.2  |
|                 |            | 36            | 0         | 19.4                    | 19.3  | 19.3  | 18.6  | 18.4  | 18.3  |
|                 |            | 36            | 16        | 19.3                    | 19.2  | 19.3  | 18.6  | 18.3  | 18.3  |
|                 |            | 36            | 35        | 19.4                    | 19.2  | 19.2  | 18.5  | 18.3  | 18.2  |
|                 |            | 75            | 0         | 19.4                    | 19.2  | 19.3  | 18.6  | 18.4  | 18.2  |

**OUTPUT POWER FOR LTE BAND 41 (20.0 MHz)**

| Bandwidth (MHz) | Modulation | RB Allocation | RB Offset | Conducted Average (dBm) |       |       |       |       |       |
|-----------------|------------|---------------|-----------|-------------------------|-------|-------|-------|-------|-------|
|                 |            |               |           | ANT 2                   |       |       | ANT 0 |       |       |
|                 |            |               |           | 39750                   | 40620 | 41490 | 39750 | 40620 | 41490 |
| 20.0            | QPSK       | 1             | 0         | 24.4                    | 24.3  | 24.3  | 23.7  | 23.5  | 23.5  |
|                 |            | 1             | 49        | 24.3                    | 24.2  | 24.4  | 23.4  | 23.4  | 23.4  |
|                 |            | 1             | 99        | 24.4                    | 24.2  | 24.3  | 23.4  | 23.3  | 23.2  |
|                 |            | 50            | 0         | 23.4                    | 23.3  | 23.4  | 22.6  | 22.4  | 22.3  |
|                 |            | 50            | 24        | 23.4                    | 23.3  | 23.4  | 22.7  | 22.3  | 22.3  |
|                 |            | 50            | 49        | 23.4                    | 23.3  | 23.3  | 22.6  | 22.3  | 22.3  |
|                 |            | 100           | 0         | 23.5                    | 23.3  | 23.3  | 22.6  | 22.4  | 22.3  |
|                 | 16QAM      | 1             | 0         | 23.5                    | 23.6  | 23.4  | 22.8  | 22.5  | 22.1  |
|                 |            | 1             | 49        | 23.3                    | 23.4  | 23.8  | 22.6  | 22.7  | 22.5  |
|                 |            | 1             | 99        | 23.6                    | 23.4  | 23.4  | 22.8  | 22.3  | 22.4  |
|                 |            | 50            | 0         | 22.5                    | 22.3  | 22.4  | 21.7  | 21.4  | 21.4  |
|                 |            | 50            | 24        | 22.5                    | 22.3  | 22.4  | 21.7  | 21.4  | 21.4  |
|                 |            | 50            | 49        | 22.4                    | 22.3  | 22.4  | 21.6  | 21.4  | 21.3  |
|                 |            | 100           | 0         | 22.4                    | 22.3  | 22.3  | 21.7  | 21.4  | 21.3  |
|                 | 64QAM      | 1             | 0         | 22.7                    | 22.4  | 22.3  | 21.8  | 21.4  | 21.1  |
|                 |            | 1             | 49        | 22.5                    | 21.9  | 22.0  | 21.9  | 21.4  | 21.2  |
|                 |            | 1             | 99        | 22.7                    | 22.2  | 22.5  | 21.7  | 21.5  | 21.0  |
|                 |            | 50            | 0         | 21.5                    | 21.3  | 21.3  | 20.7  | 20.5  | 20.3  |
|                 |            | 50            | 24        | 21.5                    | 21.3  | 21.3  | 20.7  | 20.4  | 20.3  |
|                 |            | 50            | 49        | 21.5                    | 21.3  | 21.3  | 20.6  | 20.4  | 20.2  |
|                 |            | 100           | 0         | 21.5                    | 21.3  | 21.3  | 20.7  | 20.4  | 20.3  |
|                 | 256QAM     | 1             | 0         | 19.3                    | 19.3  | 19.5  | 18.7  | 18.4  | 18.1  |
|                 |            | 1             | 49        | 19.4                    | 19.0  | 19.2  | 18.7  | 18.4  | 18.7  |
|                 |            | 1             | 99        | 19.5                    | 19.4  | 19.3  | 18.8  | 18.3  | 18.1  |
|                 |            | 50            | 0         | 19.4                    | 19.2  | 19.3  | 18.6  | 18.4  | 18.3  |
|                 |            | 50            | 24        | 19.4                    | 19.2  | 19.3  | 18.6  | 18.4  | 18.2  |
|                 |            | 50            | 49        | 19.3                    | 19.2  | 19.3  | 18.5  | 18.3  | 18.2  |
|                 |            | 100           | 0         | 19.4                    | 19.2  | 19.3  | 18.6  | 18.4  | 18.2  |

**5G NR n41**

|                   |         |            |                         |
|-------------------|---------|------------|-------------------------|
| Test Engineer ID: | 27966PV | Test Date: | 2024-02-14to 2024-02-16 |
|-------------------|---------|------------|-------------------------|

**OUTPUT POWER FOR 5G NR n41 (10.0 MHz)**

| Bandwidth (MHz) | Modulation | RB Allocation | RB Offset | Conducted Average (dBm) |                  |                  |                  |                  |                  |                  |                  |                  |                  |                  |                  |
|-----------------|------------|---------------|-----------|-------------------------|------------------|------------------|------------------|------------------|------------------|------------------|------------------|------------------|------------------|------------------|------------------|
|                 |            |               |           | ANT 2                   |                  |                  | ANT 0            |                  |                  | ANT 1            |                  |                  | ANT 5            |                  |                  |
|                 |            |               |           | 500200<br>2501.0        | 518600<br>2593.0 | 537000<br>2685.0 | 500200<br>2501.0 | 518600<br>2593.0 | 537000<br>2685.0 | 500200<br>2501.0 | 518600<br>2593.0 | 537000<br>2685.0 | 500200<br>2501.0 | 518600<br>2593.0 | 537000<br>2685.0 |
| 10.0            | BPSK       | 1             | 0         | 24.7                    | 24.5             | 24.4             | 23.8             | 23.5             | 23.2             | 24.2             | 23.9             | 24.0             | 23.5             | 23.5             | 23.3             |
|                 |            | 1             | 1         | 24.7                    | 25.0             | 25.0             | 24.0             | 23.8             | 23.6             | 24.7             | 24.5             | 24.7             | 24.0             | 24.0             | 23.8             |
|                 |            | 1             | 22        | 24.9                    | 24.8             | 24.8             | 24.1             | 24.0             | 23.5             | 24.8             | 24.4             | 24.6             | 24.0             | 23.8             | 23.8             |
|                 |            | 1             | 23        | 24.4                    | 24.6             | 24.2             | 23.8             | 23.6             | 23.2             | 24.3             | 23.9             | 24.0             | 23.4             | 23.3             | 23.3             |
|                 |            | 12            | 6         | 25.0                    | 24.7             | 24.8             | 24.0             | 23.8             | 23.5             | 24.7             | 24.4             | 24.5             | 23.9             | 23.9             | 23.7             |
|                 |            | 24            | 0         | 24.6                    | 24.4             | 24.3             | 23.7             | 23.4             | 23.2             | 24.2             | 23.8             | 24.0             | 23.3             | 23.5             | 23.3             |
|                 | QPSK       | 1             | 0         | 24.1                    | 24.0             | 23.7             | 23.1             | 23.2             | 22.8             | 23.6             | 23.3             | 23.4             | 22.9             | 22.9             | 22.8             |
|                 |            | 1             | 1         | 25.0                    | 24.8             | 24.8             | 23.9             | 24.1             | 23.6             | 24.6             | 24.4             | 24.6             | 24.0             | 24.0             | 23.8             |
|                 |            | 1             | 22        | 24.9                    | 24.7             | 24.7             | 24.0             | 23.9             | 23.6             | 24.7             | 24.3             | 24.4             | 23.9             | 23.9             | 23.8             |
|                 |            | 1             | 23        | 24.0                    | 24.1             | 23.6             | 23.3             | 22.9             | 22.4             | 23.6             | 23.3             | 23.3             | 22.9             | 22.8             | 22.7             |
|                 |            | 12            | 6         | 24.9                    | 24.8             | 24.9             | 24.0             | 23.8             | 23.6             | 24.6             | 24.4             | 24.5             | 23.9             | 23.9             | 23.8             |
|                 |            | 24            | 0         | 24.1                    | 23.9             | 23.8             | 23.3             | 23.0             | 22.8             | 23.6             | 23.3             | 23.5             | 22.9             | 22.8             | 22.7             |
|                 | 16QAM      | 1             | 0         | 22.5                    | 22.8             | 23.1             | 22.2             | 21.6             | 21.6             | 22.7             | 22.6             | 22.5             | 21.7             | 21.4             | 21.9             |
|                 |            | 1             | 1         | 24.5                    | 24.0             | 23.7             | 23.5             | 22.9             | 22.9             | 23.8             | 23.5             | 23.6             | 22.7             | 22.8             | 22.6             |
|                 |            | 1             | 22        | 24.1                    | 23.8             | 24.2             | 23.3             | 22.6             | 22.5             | 23.8             | 23.5             | 23.5             | 22.9             | 22.6             | 22.5             |
|                 |            | 1             | 23        | 23.2                    | 22.8             | 22.9             | 22.1             | 21.8             | 21.6             | 22.9             | 22.4             | 22.3             | 21.9             | 21.7             | 21.5             |
|                 |            | 12            | 6         | 24.2                    | 23.9             | 23.8             | 23.3             | 23.1             | 22.8             | 23.6             | 23.4             | 23.4             | 22.9             | 22.9             | 22.6             |
|                 |            | 24            | 0         | 23.0                    | 22.9             | 22.8             | 22.1             | 21.9             | 21.7             | 22.7             | 22.3             | 22.5             | 21.9             | 21.7             | 21.7             |
|                 | 64QAM      | 1             | 0         | 22.6                    | 21.8             | 22.2             | 21.8             | 21.2             | 21.1             | 22.0             | 22.0             | 22.1             | 21.4             | 21.0             | 21.4             |
|                 |            | 1             | 1         | 22.5                    | 21.8             | 22.1             | 21.8             | 21.3             | 21.2             | 22.1             | 21.9             | 22.1             | 21.2             | 21.2             | 21.3             |
|                 |            | 1             | 22        | 22.6                    | 21.8             | 22.0             | 21.5             | 22.0             | 20.9             | 21.9             | 21.8             | 22.0             | 21.2             | 20.9             | 21.3             |
|                 |            | 1             | 23        | 22.1                    | 21.8             | 22.0             | 21.8             | 21.3             | 21.2             | 22.1             | 21.8             | 21.8             | 21.3             | 21.3             | 21.2             |
|                 |            | 12            | 6         | 22.5                    | 22.5             | 22.2             | 21.7             | 21.5             | 21.2             | 22.2             | 21.8             | 22.0             | 21.5             | 21.3             | 21.3             |
|                 |            | 24            | 0         | 22.5                    | 22.4             | 22.3             | 21.7             | 21.5             | 21.2             | 22.1             | 21.8             | 21.9             | 21.3             | 21.2             | 21.2             |
| 256QAM          | 1          | 0             | 20.1      | 20.7                    | 19.8             | 19.6             | 19.7             | 19.0             | 20.0             | 20.1             | 20.2             | 19.4             | 19.3             | 19.2             |                  |
|                 | 1          | 1             | 20.3      | 20.6                    | 20.5             | 19.7             | 19.3             | 19.4             | 20.3             | 20.1             | 20.0             | 19.3             | 19.0             | 19.0             |                  |
|                 | 1          | 22            | 20.4      | 20.5                    | 20.2             | 20.0             | 19.4             | 19.3             | 20.4             | 20.1             | 19.8             | 19.4             | 18.8             | 19.1             |                  |
|                 | 1          | 23            | 19.8      | 20.6                    | 20.2             | 19.7             | 19.4             | 19.1             | 20.2             | 19.9             | 20.1             | 19.2             | 19.2             | 19.0             |                  |
|                 | 12         | 6             | 20.5      | 20.4                    | 20.2             | 19.7             | 19.5             | 19.2             | 20.2             | 19.8             | 20.1             | 19.3             | 19.2             | 19.2             |                  |
|                 | 24         | 0             | 20.5      | 20.4                    | 20.2             | 19.7             | 19.4             | 19.2             | 20.1             | 19.7             | 19.9             | 19.3             | 19.3             | 19.3             |                  |

**OUTPUT POWER FOR 5G NR n41 (15.0 MHz)**

| Bandwidth (MHz) | Modulation | RB Allocation | RB Offset | Conducted Average (dBm) |                  |                  |                  |                  |                  |                  |                  |                  |                  |                  |                  |
|-----------------|------------|---------------|-----------|-------------------------|------------------|------------------|------------------|------------------|------------------|------------------|------------------|------------------|------------------|------------------|------------------|
|                 |            |               |           | ANT 2                   |                  |                  | ANT 0            |                  |                  | ANT 1            |                  |                  | ANT 5            |                  |                  |
|                 |            |               |           | 500700<br>2503.5        | 518600<br>2593.0 | 536500<br>2682.5 | 500700<br>2503.5 | 518600<br>2593.0 | 536500<br>2682.5 | 500700<br>2503.5 | 518600<br>2593.0 | 536500<br>2682.5 | 500700<br>2503.5 | 518600<br>2593.0 | 536500<br>2682.5 |
| 15.0            | BPSK       | 1             | 0         | 24.5                    | 24.6             | 24.2             | 23.7             | 23.4             | 23.2             | 24.0             | 23.9             | 23.9             | 23.4             | 23.4             | 23.2             |
|                 |            | 1             | 1         | 25.0                    | 24.9             | 24.6             | 24.1             | 23.8             | 23.5             | 24.6             | 24.3             | 24.5             | 24.0             | 23.9             | 23.7             |
|                 |            | 1             | 36        | 25.0                    | 25.0             | 24.6             | 24.0             | 23.7             | 23.4             | 24.7             | 24.3             | 24.4             | 23.9             | 23.9             | 23.7             |
|                 |            | 1             | 37        | 24.5                    | 24.4             | 24.1             | 23.7             | 23.5             | 23.1             | 24.2             | 23.8             | 23.9             | 23.4             | 23.3             | 23.3             |
|                 |            | 18            | 9         | 25.0                    | 25.0             | 24.8             | 24.0             | 23.8             | 23.6             | 24.6             | 24.2             | 24.4             | 23.9             | 23.8             | 23.7             |
|                 |            | 36            | 0         | 24.5                    | 24.5             | 24.2             | 23.7             | 23.5             | 23.3             | 24.1             | 23.8             | 23.9             | 23.4             | 23.3             | 23.2             |
|                 | QPSK       | 1             | 0         | 24.2                    | 23.9             | 23.6             | 23.3             | 22.5             | 22.4             | 23.5             | 23.3             | 23.4             | 22.8             | 22.8             | 22.7             |
|                 |            | 1             | 1         | 24.8                    | 24.9             | 24.7             | 24.2             | 23.9             | 23.2             | 24.5             | 24.4             | 24.5             | 23.8             | 23.9             | 23.7             |
|                 |            | 1             | 36        | 24.8                    | 24.8             | 24.5             | 24.1             | 24.0             | 23.2             | 24.7             | 24.3             | 24.3             | 23.9             | 23.8             | 23.8             |
|                 |            | 1             | 37        | 23.9                    | 24.1             | 23.5             | 23.2             | 22.8             | 22.3             | 23.8             | 23.3             | 23.3             | 22.8             | 22.9             | 22.8             |
|                 |            | 18            | 9         | 25.0                    | 25.0             | 24.9             | 24.1             | 23.8             | 23.6             | 24.6             | 24.2             | 24.5             | 23.8             | 23.8             | 23.7             |
|                 |            | 36            | 0         | 24.1                    | 24.0             | 23.8             | 23.3             | 23.1             | 22.8             | 23.6             | 23.3             | 23.5             | 23.0             | 22.9             | 22.7             |
|                 | 16QAM      | 1             | 0         | 22.9                    | 23.2             | 23.0             | 22.3             | 22.2             | 22.2             | 22.6             | 22.1             | 22.3             | 21.7             | 21.9             | 21.9             |
|                 |            | 1             | 1         | 23.8                    | 24.2             | 24.0             | 23.0             | 23.4             | 22.7             | 23.5             | 23.4             | 23.3             | 22.9             | 23.1             | 22.7             |
|                 |            | 1             | 36        | 23.8                    | 24.2             | 23.7             | 22.9             | 22.9             | 22.3             | 23.8             | 23.3             | 23.2             | 22.5             | 23.0             | 22.8             |
|                 |            | 1             | 37        | 23.3                    | 23.1             | 22.8             | 22.3             | 22.0             | 21.8             | 23.0             | 21.9             | 22.3             | 22.2             | 22.2             | 22.0             |
|                 |            | 18            | 9         | 24.1                    | 24.1             | 23.9             | 23.4             | 23.0             | 22.8             | 23.7             | 23.3             | 23.5             | 23.0             | 22.8             | 22.8             |
|                 |            | 36            | 0         | 23.0                    | 22.9             | 22.8             | 22.3             | 22.0             | 21.7             | 22.5             | 22.2             | 22.5             | 21.8             | 21.8             | 21.7             |
|                 | 64QAM      | 1             | 0         | 22.6                    | 22.3             | 22.7             | 22.0             | 21.9             | 21.3             | 22.3             | 22.1             | 21.9             | 21.2             | 21.0             | 21.1             |
|                 |            | 1             | 1         | 22.9                    | 22.5             | 22.2             | 21.7             | 21.7             | 21.0             | 21.8             | 22.0             | 22.0             | 21.0             | 21.0             | 21.0             |
|                 |            | 1             | 36        | 22.5                    | 22.0             | 22.6             | 21.9             | 21.7             | 21.1             | 22.3             | 21.7             | 21.6             | 21.0             | 20.9             | 21.1             |
|                 |            | 1             | 37        | 22.4                    | 22.5             | 22.7             | 22.0             | 21.7             | 21.0             | 22.3             | 22.0             | 22.1             | 21.0             | 20.9             | 21.0             |
|                 |            | 18            | 9         | 22.5                    | 22.6             | 22.3             | 21.8             | 21.5             | 21.3             | 22.1             | 21.7             | 21.9             | 21.5             | 21.3             | 21.1             |
|                 |            | 36            | 0         | 22.4                    | 22.4             | 22.4             | 21.6             | 21.5             | 21.2             | 22.0             | 21.7             | 21.9             | 21.4             | 21.3             | 21.2             |
| 256QAM          | 1          | 0             | 20.3      | 20.1                    | 20.5             | 19.5             | 19.6             | 18.9             | 20.0             | 19.7             | 20.3             | 19.2             | 19.6             | 19.0             |                  |
|                 | 1          | 1             | 20.2      | 20.2                    | 20.5             | 19.6             | 19.5             | 19.1             | 19.8             | 19.8             | 19.9             | 19.2             | 19.5             | 19.1             |                  |
|                 | 1          | 36            | 20.1      | 20.2                    | 20.0             | 20.0             | 19.3             | 18.9             | 20.1             | 19.8             | 20.1             | 19.2             | 19.7             | 19.1             |                  |
|                 | 1          | 37            | 20.4      | 20.1                    | 20.5             | 19.6             | 19.5             | 19.2             | 19.9             | 19.8             | 19.5             | 19.5             | 19.6             | 19.0             |                  |
|                 | 18         | 9             | 20.5      | 20.4                    | 20.3             | 19.8             | 19.5             | 19.2             | 20.0             | 19.6             | 19.8             | 19.3             | 19.3             | 19.2             |                  |
|                 | 36         | 0             | 20.6      | 20.4                    | 20.2             | 19.8             | 19.4             | 19.4             | 20.0             | 19.7             | 19.9             | 19.4             | 19.3             | 19.2             |                  |

**OUTPUT POWER FOR 5G NR n41 (20.0 MHz)**

| Bandwidth (MHz) | Modulation | RB Allocation | RB Offset | Conducted Average (dBm) |        |        |        |        |        |        |        |        |        |        |        |
|-----------------|------------|---------------|-----------|-------------------------|--------|--------|--------|--------|--------|--------|--------|--------|--------|--------|--------|
|                 |            |               |           | ANT 2                   |        |        | ANT 0  |        |        | ANT 1  |        |        | ANT 5  |        |        |
|                 |            |               |           | 501200                  | 518600 | 536000 | 501200 | 518600 | 536000 | 501200 | 518600 | 536000 | 501200 | 518600 | 536000 |
| 20.0            | BPSK       | 1             | 0         | 24.5                    | 24.5   | 24.2   | 23.7   | 23.5   | 23.1   | 24.0   | 23.9   | 24.0   | 23.4   | 23.3   | 23.2   |
|                 |            | 1             | 1         | 25.0                    | 25.0   | 24.7   | 24.0   | 23.8   | 23.4   | 24.6   | 24.4   | 24.6   | 23.8   | 23.9   | 23.8   |
|                 |            | 1             | 49        | 24.8                    | 24.8   | 24.7   | 24.0   | 23.9   | 23.4   | 24.7   | 24.3   | 24.5   | 24.1   | 23.9   | 23.7   |
|                 |            | 1             | 50        | 24.2                    | 24.3   | 24.2   | 23.5   | 23.6   | 23.1   | 24.3   | 23.8   | 23.9   | 23.5   | 23.4   | 23.2   |
|                 |            | 25            | 12        | 24.4                    | 24.7   | 24.8   | 24.0   | 23.8   | 23.5   | 24.6   | 24.3   | 24.5   | 23.9   | 23.9   | 23.7   |
|                 |            | 50            | 0         | 24.5                    | 24.4   | 24.3   | 23.7   | 23.4   | 23.2   | 24.2   | 23.7   | 24.0   | 23.4   | 23.4   | 23.1   |
|                 | QPSK       | 1             | 0         | 24.0                    | 24.0   | 23.7   | 23.3   | 23.0   | 22.9   | 23.5   | 23.2   | 23.6   | 23.0   | 22.8   | 22.8   |
|                 |            | 1             | 1         | 24.9                    | 24.8   | 24.6   | 24.0   | 23.9   | 23.4   | 24.6   | 24.3   | 24.6   | 24.0   | 23.8   | 23.7   |
|                 |            | 1             | 49        | 24.9                    | 25.0   | 24.9   | 24.1   | 23.9   | 23.6   | 24.7   | 24.2   | 24.5   | 24.0   | 23.9   | 23.9   |
|                 |            | 1             | 50        | 23.9                    | 24.1   | 23.8   | 23.0   | 22.9   | 22.7   | 23.7   | 23.2   | 23.4   | 23.0   | 22.8   | 22.8   |
|                 |            | 25            | 12        | 25.0                    | 24.8   | 24.9   | 24.0   | 23.8   | 23.5   | 24.7   | 24.3   | 24.6   | 24.0   | 23.8   | 23.7   |
|                 |            | 50            | 0         | 24.0                    | 23.8   | 23.7   | 23.2   | 23.0   | 22.7   | 23.6   | 23.2   | 23.5   | 22.9   | 22.8   | 22.7   |
|                 | 16QAM      | 1             | 0         | 22.8                    | 23.1   | 23.2   | 22.4   | 21.9   | 21.6   | 22.5   | 22.4   | 22.6   | 22.0   | 21.8   | 21.7   |
|                 |            | 1             | 1         | 24.1                    | 24.1   | 24.5   | 23.2   | 23.3   | 22.8   | 23.5   | 23.2   | 23.3   | 23.0   | 22.8   | 22.8   |
|                 |            | 1             | 49        | 24.1                    | 24.2   | 24.0   | 23.1   | 23.0   | 22.4   | 23.7   | 23.6   | 23.4   | 23.0   | 22.8   | 22.7   |
|                 |            | 1             | 50        | 23.0                    | 23.0   | 22.8   | 21.8   | 22.2   | 21.6   | 22.7   | 22.1   | 22.3   | 21.9   | 21.7   | 21.7   |
|                 |            | 25            | 12        | 24.0                    | 23.9   | 23.8   | 23.3   | 23.0   | 22.6   | 23.7   | 23.3   | 23.4   | 22.9   | 22.9   | 22.6   |
|                 |            | 50            | 0         | 22.9                    | 22.8   | 22.7   | 22.2   | 22.0   | 21.8   | 22.6   | 22.2   | 22.5   | 21.9   | 21.8   | 21.7   |
|                 | 64QAM      | 1             | 0         | 22.1                    | 22.2   | 22.5   | 21.8   | 21.2   | 21.4   | 21.9   | 22.0   | 22.0   | 21.6   | 21.6   | 21.1   |
|                 |            | 1             | 1         | 22.2                    | 22.2   | 22.1   | 21.7   | 21.6   | 21.5   | 21.9   | 21.6   | 22.1   | 21.5   | 21.3   | 21.1   |
|                 |            | 1             | 49        | 22.1                    | 22.2   | 22.5   | 21.7   | 21.4   | 21.1   | 22.1   | 21.9   | 21.7   | 21.4   | 21.3   | 21.2   |
|                 |            | 1             | 50        | 22.1                    | 22.3   | 22.6   | 21.7   | 20.9   | 21.4   | 22.1   | 21.7   | 21.9   | 21.5   | 21.6   | 21.4   |
|                 |            | 25            | 12        | 22.5                    | 22.4   | 22.3   | 21.7   | 21.5   | 21.2   | 22.2   | 21.6   | 22.0   | 21.3   | 21.3   | 21.2   |
|                 |            | 50            | 0         | 22.5                    | 22.4   | 22.1   | 21.7   | 21.4   | 21.2   | 22.1   | 21.7   | 21.9   | 21.4   | 21.4   | 21.2   |
|                 | 256QAM     | 1             | 0         | 20.6                    | 20.0   | 19.7   | 19.9   | 19.3   | 19.2   | 20.2   | 19.8   | 19.8   | 19.6   | 19.5   | 19.3   |
|                 |            | 1             | 1         | 20.7                    | 20.5   | 19.9   | 19.4   | 19.3   | 18.8   | 20.1   | 19.9   | 19.6   | 19.0   | 19.5   | 19.2   |
|                 |            | 1             | 49        | 20.5                    | 19.9   | 20.0   | 19.3   | 19.2   | 19.1   | 20.6   | 19.4   | 19.6   | 18.9   | 19.3   | 19.1   |
|                 |            | 1             | 50        | 20.6                    | 20.6   | 19.7   | 19.3   | 19.2   | 19.2   | 20.3   | 19.6   | 20.0   | 19.3   | 19.2   | 19.2   |
|                 |            | 25            | 12        | 20.4                    | 20.4   | 20.1   | 19.7   | 19.5   | 19.1   | 20.0   | 19.7   | 20.0   | 19.4   | 19.3   | 19.2   |
|                 |            | 50            | 0         | 20.4                    | 20.3   | 20.2   | 19.7   | 19.4   | 19.2   | 20.1   | 19.8   | 19.8   | 19.4   | 19.2   | 19.3   |

**OUTPUT POWER FOR 5G NR n41 (25.0 MHz)**

| Bandwidth (MHz) | Modulation | RB Allocation | RB Offset | Conducted Average (dBm) |        |        |        |        |        |        |        |        |        |        |        |
|-----------------|------------|---------------|-----------|-------------------------|--------|--------|--------|--------|--------|--------|--------|--------|--------|--------|--------|
|                 |            |               |           | ANT 2                   |        |        | ANT 0  |        |        | ANT 1  |        |        | ANT 5  |        |        |
|                 |            |               |           | 501702                  | 518598 | 535500 | 501702 | 518598 | 535500 | 501702 | 518598 | 535500 | 501702 | 518598 | 535500 |
| 25.0            | BPSK       | 1             | 0         | 24.4                    | 24.4   | 24.1   | 23.6   | 23.4   | 23.0   | 23.9   | 23.8   | 23.9   | 23.3   | 23.2   | 23.1   |
|                 |            | 1             | 1         | 24.9                    | 24.9   | 24.6   | 23.9   | 23.7   | 23.3   | 24.5   | 24.3   | 24.5   | 23.7   | 23.8   | 23.7   |
|                 |            | 1             | 49        | 24.7                    | 24.7   | 24.6   | 23.9   | 23.8   | 23.3   | 24.6   | 24.2   | 24.4   | 24.0   | 23.8   | 23.6   |
|                 |            | 1             | 50        | 24.1                    | 24.2   | 24.1   | 23.4   | 23.5   | 23.0   | 24.2   | 23.7   | 23.8   | 23.4   | 23.3   | 23.1   |
|                 |            | 25            | 12        | 24.3                    | 24.6   | 24.7   | 23.9   | 23.7   | 23.4   | 24.5   | 24.2   | 24.4   | 23.8   | 23.8   | 23.6   |
|                 |            | 50            | 0         | 24.4                    | 24.3   | 24.2   | 23.6   | 23.3   | 23.1   | 24.1   | 23.6   | 23.9   | 23.3   | 23.3   | 23.0   |
|                 | QPSK       | 1             | 0         | 23.9                    | 23.9   | 23.6   | 23.2   | 22.9   | 22.8   | 23.4   | 23.1   | 23.5   | 22.9   | 22.7   | 22.7   |
|                 |            | 1             | 1         | 24.8                    | 24.7   | 24.5   | 23.9   | 23.8   | 23.3   | 24.5   | 24.2   | 24.5   | 23.9   | 23.7   | 23.6   |
|                 |            | 1             | 49        | 24.8                    | 24.9   | 24.8   | 24.0   | 23.8   | 23.5   | 24.6   | 24.1   | 24.4   | 23.9   | 23.8   | 23.8   |
|                 |            | 1             | 50        | 23.8                    | 24.0   | 23.7   | 22.9   | 22.8   | 22.6   | 23.6   | 23.1   | 23.3   | 22.9   | 22.7   | 22.7   |
|                 |            | 25            | 12        | 24.9                    | 24.7   | 24.8   | 23.9   | 23.7   | 23.4   | 24.6   | 24.2   | 24.5   | 23.9   | 23.7   | 23.6   |
|                 |            | 50            | 0         | 23.9                    | 23.7   | 23.6   | 23.1   | 22.9   | 22.6   | 23.5   | 23.1   | 23.4   | 22.8   | 22.7   | 22.6   |
|                 | 16QAM      | 1             | 0         | 22.7                    | 23.0   | 23.1   | 22.3   | 21.8   | 21.5   | 22.4   | 22.3   | 22.5   | 21.9   | 21.7   | 21.6   |
|                 |            | 1             | 1         | 24.0                    | 24.0   | 24.4   | 23.1   | 23.2   | 22.7   | 23.4   | 23.1   | 23.2   | 22.9   | 22.7   | 22.7   |
|                 |            | 1             | 49        | 24.0                    | 24.1   | 23.9   | 23.0   | 22.9   | 22.3   | 23.6   | 23.5   | 23.3   | 22.9   | 22.7   | 22.6   |
|                 |            | 1             | 50        | 22.9                    | 22.9   | 22.7   | 21.7   | 22.1   | 21.5   | 22.6   | 22.0   | 22.2   | 21.8   | 21.6   | 21.6   |
|                 |            | 25            | 12        | 23.9                    | 23.8   | 23.7   | 23.2   | 22.9   | 22.5   | 23.6   | 23.2   | 23.3   | 22.8   | 22.8   | 22.5   |
|                 |            | 50            | 0         | 22.8                    | 22.7   | 22.6   | 22.1   | 21.9   | 21.7   | 22.5   | 22.1   | 22.4   | 21.8   | 21.7   | 21.6   |
|                 | 64QAM      | 1             | 0         | 22.0                    | 22.1   | 22.4   | 21.7   | 21.1   | 21.3   | 21.8   | 21.9   | 21.9   | 21.5   | 21.5   | 21.0   |
|                 |            | 1             | 1         | 22.1                    | 22.1   | 22.0   | 21.6   | 21.5   | 21.4   | 21.8   | 21.5   | 22.0   | 21.4   | 21.2   | 21.0   |
|                 |            | 1             | 49        | 22.0                    | 22.1   | 22.4   | 21.6   | 21.3   | 21.0   | 22.0   | 21.8   | 21.6   | 21.3   | 21.2   | 21.1   |
|                 |            | 1             | 50        | 22.0                    | 22.2   | 22.5   | 21.6   | 20.8   | 21.3   | 22.0   | 21.6   | 21.8   | 21.4   | 21.5   | 21.3   |
|                 |            | 25            | 12        | 22.4                    | 22.3   | 22.2   | 21.6   | 21.4   | 21.1   | 22.1   | 21.5   | 21.9   | 21.2   | 21.2   | 21.1   |
|                 |            | 50            | 0         | 22.4                    | 22.3   | 22.0   | 21.6   | 21.3   | 21.1   | 22.0   | 21.6   | 21.8   | 21.3   | 21.3   | 21.1   |
|                 | 256QAM     | 1             | 0         | 20.5                    | 19.9   | 19.6   | 19.8   | 19.2   | 19.1   | 20.1   | 19.7   | 19.7   | 19.5   | 19.4   | 19.2   |
|                 |            | 1             | 1         | 20.6                    | 20.4   | 19.8   | 19.3   | 19.2   | 18.7   | 20.0   | 19.8   | 19.5   | 18.9   | 19.4   | 19.1   |
|                 |            | 1             | 49        | 20.4                    | 19.8   | 19.9   | 19.2   | 19.1   | 19.0   | 20.5   | 19.3   | 19.5   | 18.8   | 19.2   | 19.0   |
|                 |            | 1             | 50        | 20.5                    | 20.5   | 19.6   | 19.2   | 19.1   | 19.1   | 20.2   | 19.5   | 19.9   | 19.2   | 19.1   | 19.1   |
|                 |            | 25            | 12        | 20.3                    | 20.3   | 20.0   | 19.6   | 19.4   | 19.0   | 19.9   | 19.6   | 19.9   | 19.3   | 19.2   | 19.1   |
|                 |            | 50            | 0         | 20.3                    | 20.2   | 20.1   | 19.6   | 19.3   | 19.1   | 20.0   | 19.7   | 19.7   | 19.3   | 19.1   | 19.2   |



**OUTPUT POWER FOR 5G NR n41 (30.0 MHz)**

| Bandwidth (MHz) | Modulation | RB Allocation | RB Offset | Conducted Average (dBm) |             |        |             |        |        |             |        |             |             |        |        |
|-----------------|------------|---------------|-----------|-------------------------|-------------|--------|-------------|--------|--------|-------------|--------|-------------|-------------|--------|--------|
|                 |            |               |           | ANT 2                   |             |        | ANT 0       |        |        | ANT 1       |        |             | ANT 5       |        |        |
|                 |            |               |           | 502200                  | 518600      | 525000 | 502200      | 518600 | 525000 | 502200      | 518600 | 525000      | 502200      | 518600 | 525000 |
| 30.0            | BPSK       | 1             | 0         | 24.5                    | 24.4        | 24.4   | 23.7        | 23.5   | 23.1   | 24.0        | 23.9   | 24.0        | 23.5        | 23.3   | 23.2   |
|                 |            | 1             | 1         | 25.0                    | 25.0        | 24.8   | <b>24.0</b> | 23.8   | 23.4   | 24.6        | 24.4   | 24.5        | 24.0        | 23.9   | 23.7   |
|                 |            | 1             | 76        | 24.9                    | 25.0        | 24.8   | 23.9        | 23.8   | 23.5   | <b>24.7</b> | 24.3   | 24.4        | <b>24.0</b> | 23.8   | 23.8   |
|                 |            | 1             | 77        | 24.3                    | 24.3        | 24.3   | 23.6        | 23.5   | 23.1   | 24.2        | 23.8   | 23.9        | 23.5        | 23.3   | 23.3   |
|                 |            | 36            | 18        | <b>25.0</b>             | 24.9        | 24.8   | 24.0        | 23.8   | 23.6   | 24.7        | 24.3   | 24.4        | 23.9        | 23.8   | 23.8   |
|                 |            | 75            | 0         | 24.5                    | 24.5        | 24.4   | 23.6        | 23.4   | 23.3   | 24.2        | 23.7   | 24.0        | 23.5        | 23.3   | 23.3   |
|                 | QPSK       | 1             | 0         | 23.9                    | 23.8        | 23.6   | 23.2        | 23.0   | 22.4   | 23.4        | 23.3   | 23.4        | 23.0        | 22.7   | 22.7   |
|                 |            | 1             | 1         | 24.7                    | 25.0        | 24.8   | <b>24.2</b> | 23.9   | 23.2   | 24.6        | 24.3   | 24.5        | 23.9        | 23.8   | 23.8   |
|                 |            | 1             | 76        | 24.8                    | <b>25.0</b> | 24.9   | 23.8        | 23.9   | 23.6   | <b>24.7</b> | 24.2   | 24.3        | 23.9        | 23.7   | 23.8   |
|                 |            | 1             | 77        | 23.8                    | 24.1        | 23.6   | 23.0        | 22.9   | 22.7   | 23.7        | 23.1   | 23.4        | 22.9        | 22.8   | 22.8   |
|                 |            | 36            | 18        | 25.0                    | 24.9        | 24.8   | 24.0        | 23.8   | 23.6   | <b>24.7</b> | 24.3   | 24.5        | <b>24.0</b> | 23.8   | 23.6   |
|                 |            | 75            | 0         | 24.0                    | 23.8        | 23.8   | 23.1        | 22.9   | 22.7   | 23.7        | 23.3   | 23.5        | 22.8        | 22.8   | 22.7   |
|                 | 16QAM      | 1             | 0         | 23.2                    | 23.0        | 23.8   | 22.2        | 22.2   | 22.2   | 22.5        | 22.4   | 22.8        | 22.0        | 21.8   | 21.9   |
|                 |            | 1             | 1         | 23.9                    | 24.0        | 23.8   | 23.1        | 23.1   | 23.0   | 23.6        | 23.4   | <b>23.6</b> | 23.0        | 22.9   | 23.0   |
|                 |            | 1             | 76        | 23.9                    | 23.7        | 23.6   | 22.9        | 23.0   | 23.2   | 23.4        | 23.5   | 23.5        | 22.7        | 22.9   | 22.7   |
|                 |            | 1             | 77        | 22.9                    | 22.7        | 22.7   | 22.0        | 22.2   | 21.7   | 22.9        | 22.4   | 22.7        | 21.7        | 21.8   | 21.8   |
|                 |            | 36            | 18        | 24.0                    | <b>24.0</b> | 23.8   | <b>23.2</b> | 23.1   | 22.7   | 23.6        | 23.3   | 23.4        | <b>23.0</b> | 22.9   | 22.8   |
|                 |            | 75            | 0         | 22.9                    | 22.9        | 22.7   | 22.2        | 22.0   | 21.8   | 22.7        | 22.1   | 22.4        | 21.9        | 21.8   | 21.7   |
|                 | 64QAM      | 1             | 0         | 22.5                    | 22.5        | 22.2   | 21.6        | 21.3   | 20.9   | 21.9        | 21.7   | 21.9        | 21.3        | 21.4   | 20.8   |
|                 |            | 1             | 1         | <b>22.6</b>             | 22.4        | 22.1   | 21.6        | 21.6   | 21.3   | 21.9        | 22.1   | 21.8        | 21.4        | 21.1   | 20.8   |
|                 |            | 1             | 76        | 22.3                    | 22.5        | 22.2   | 21.9        | 21.4   | 20.9   | 22.1        | 21.9   | 21.6        | <b>21.5</b> | 21.0   | 20.7   |
|                 |            | 1             | 77        | 21.9                    | 22.2        | 22.0   | <b>21.9</b> | 21.4   | 20.9   | <b>22.2</b> | 21.4   | 21.6        | 21.3        | 21.0   | 21.1   |
|                 |            | 36            | 18        | 22.5                    | 22.4        | 22.3   | 21.7        | 21.4   | 21.2   | 22.1        | 21.8   | 22.0        | 21.4        | 21.3   | 21.2   |
|                 |            | 75            | 0         | 22.5                    | 22.5        | 22.3   | 21.7        | 21.5   | 21.1   | 22.1        | 21.7   | 21.9        | 21.4        | 21.3   | 21.2   |
|                 | 256QAM     | 1             | 0         | 20.5                    | 20.3        | 20.3   | 19.8        | 19.4   | 19.2   | <b>20.3</b> | 20.0   | 20.0        | 19.4        | 19.3   | 19.1   |
|                 |            | 1             | 1         | 20.4                    | 20.8        | 20.1   | <b>19.9</b> | 19.2   | 19.2   | 20.2        | 19.7   | 20.1        | 19.3        | 19.3   | 19.1   |
|                 |            | 1             | 76        | 20.2                    | 20.4        | 20.3   | 19.6        | 19.4   | 19.2   | 20.0        | 19.5   | 20.0        | 19.2        | 19.4   | 19.0   |
|                 |            | 1             | 77        | 20.2                    | <b>20.8</b> | 20.2   | 19.6        | 19.5   | 19.2   | 20.2        | 19.9   | 20.1        | 19.1        | 19.1   | 19.1   |
|                 |            | 36            | 18        | 20.4                    | 20.3        | 20.1   | 19.6        | 19.3   | 19.1   | 20.2        | 19.7   | 19.9        | 19.3        | 19.3   | 19.2   |
|                 |            | 75            | 0         | 20.4                    | 20.3        | 20.2   | 19.6        | 19.5   | 19.3   | 20.1        | 19.8   | 19.9        | <b>19.4</b> | 19.2   | 19.2   |

**OUTPUT POWER FOR 5G NR n41 (40.0 MHz)**

| Bandwidth (MHz) | Modulation | RB Allocation | RB Offset | Conducted Average (dBm) |        |        |        |        |        |        |        |        |        |        |        |
|-----------------|------------|---------------|-----------|-------------------------|--------|--------|--------|--------|--------|--------|--------|--------|--------|--------|--------|
|                 |            |               |           | ANT 2                   |        |        | ANT 0  |        |        | ANT 1  |        |        | ANT 5  |        |        |
|                 |            |               |           | 503200                  | 518600 | 534000 | 503200 | 518600 | 534000 | 503200 | 518600 | 534000 | 503200 | 518600 | 534000 |
| 40.0            | BPSK       | 1             | 0         | 24.7                    | 24.3   | 24.4   | 23.8   | 23.3   | 23.5   | 24.3   | 24.0   | 24.1   | 23.5   | 23.4   | 23.2   |
|                 |            | 1             | 1         | 25.0                    | 24.9   | 24.9   | 24.1   | 23.7   | 23.8   | 24.7   | 24.4   | 24.6   | 23.9   | 23.8   | 23.7   |
|                 |            | 1             | 104       | 25.0                    | 24.8   | 24.7   | 23.7   | 23.7   | 23.4   | 24.9   | 24.4   | 24.5   | 23.9   | 23.9   | 23.7   |
|                 |            | 1             | 105       | 24.3                    | 24.4   | 24.2   | 23.5   | 23.3   | 23.1   | 24.4   | 23.7   | 24.0   | 23.4   | 23.3   | 23.2   |
|                 |            | 50            | 25        | 24.9                    | 24.8   | 24.9   | 23.9   | 23.8   | 23.6   | 24.9   | 24.3   | 24.5   | 23.9   | 23.8   | 23.7   |
|                 |            | 100           | 0         | 24.4                    | 24.4   | 24.4   | 23.6   | 23.5   | 23.4   | 24.3   | 23.8   | 24.0   | 23.5   | 23.2   | 23.2   |
|                 | QPSK       | 1             | 0         | 24.0                    | 23.9   | 23.8   | 23.2   | 23.0   | 22.7   | 23.6   | 23.5   | 23.5   | 22.9   | 22.9   | 22.6   |
|                 |            | 1             | 1         | 24.9                    | 24.9   | 24.8   | 24.0   | 23.8   | 23.6   | 24.7   | 24.5   | 24.5   | 24.0   | 23.8   | 23.6   |
|                 |            | 1             | 104       | 25.0                    | 25.0   | 24.9   | 23.9   | 23.9   | 23.6   | 24.9   | 24.3   | 24.5   | 24.0   | 23.8   | 23.7   |
|                 |            | 1             | 105       | 24.1                    | 24.1   | 23.9   | 23.1   | 23.1   | 22.7   | 23.8   | 23.3   | 23.5   | 23.0   | 22.8   | 22.7   |
|                 |            | 50            | 25        | 24.8                    | 24.8   | 24.9   | 24.0   | 23.8   | 23.6   | 24.7   | 24.4   | 24.6   | 24.0   | 23.8   | 23.7   |
|                 |            | 100           | 0         | 24.0                    | 23.9   | 23.8   | 23.2   | 22.9   | 22.7   | 23.6   | 23.3   | 23.6   | 23.0   | 22.8   | 22.7   |
|                 | 16QAM      | 1             | 0         | 23.3                    | 22.8   | 22.6   | 22.4   | 22.1   | 21.9   | 22.7   | 22.4   | 22.8   | 21.6   | 21.9   | 21.4   |
|                 |            | 1             | 1         | 24.2                    | 23.9   | 23.6   | 23.1   | 22.9   | 22.9   | 23.6   | 23.3   | 23.5   | 22.7   | 23.0   | 22.7   |
|                 |            | 1             | 104       | 24.1                    | 23.9   | 23.4   | 23.2   | 23.0   | 24.0   | 23.7   | 23.3   | 23.3   | 22.8   | 22.7   | 22.7   |
|                 |            | 1             | 105       | 23.2                    | 23.2   | 22.9   | 22.0   | 21.8   | 21.6   | 22.8   | 22.7   | 22.4   | 21.6   | 21.6   | 21.5   |
|                 |            | 50            | 25        | 24.0                    | 24.0   | 23.9   | 23.1   | 23.0   | 22.7   | 23.7   | 23.3   | 23.6   | 22.9   | 22.8   | 22.7   |
|                 |            | 100           | 0         | 22.9                    | 22.8   | 22.8   | 22.1   | 22.0   | 21.8   | 22.8   | 22.3   | 22.5   | 21.9   | 21.8   | 21.7   |
|                 | 64QAM      | 1             | 0         | 22.5                    | 22.1   | 22.6   | 21.5   | 21.3   | 21.1   | 22.2   | 22.2   | 22.0   | 21.5   | 21.2   | 21.1   |
|                 |            | 1             | 1         | 22.2                    | 22.2   | 22.4   | 21.5   | 21.7   | 21.2   | 22.3   | 22.1   | 21.9   | 21.7   | 21.3   | 20.9   |
|                 |            | 1             | 104       | 22.6                    | 22.2   | 22.4   | 21.2   | 21.5   | 21.0   | 22.5   | 21.5   | 21.9   | 21.7   | 21.2   | 21.0   |
|                 |            | 1             | 105       | 22.5                    | 22.3   | 22.4   | 21.3   | 21.5   | 21.0   | 22.6   | 21.4   | 22.1   | 21.4   | 21.1   | 21.1   |
|                 |            | 50            | 25        | 22.4                    | 22.4   | 22.3   | 21.6   | 21.5   | 21.2   | 22.3   | 21.8   | 22.0   | 21.3   | 21.3   | 21.2   |
|                 |            | 100           | 0         | 22.4                    | 22.4   | 22.3   | 21.5   | 21.4   | 21.3   | 22.2   | 21.9   | 21.9   | 21.5   | 21.3   | 21.2   |
|                 | 256QAM     | 1             | 0         | 20.4                    | 20.4   | 20.2   | 19.9   | 19.3   | 19.2   | 20.2   | 20.0   | 19.9   | 19.3   | 18.8   | 19.2   |
|                 |            | 1             | 1         | 20.4                    | 20.4   | 20.1   | 19.7   | 19.4   | 19.3   | 19.9   | 20.2   | 19.9   | 19.8   | 19.1   | 19.2   |
|                 |            | 1             | 104       | 20.4                    | 20.6   | 20.4   | 19.5   | 19.5   | 19.4   | 20.2   | 19.7   | 19.9   | 19.4   | 19.1   | 19.3   |
|                 |            | 1             | 105       | 20.4                    | 20.3   | 20.7   | 19.5   | 19.2   | 19.1   | 20.3   | 19.7   | 20.3   | 19.6   | 18.9   | 19.5   |
|                 |            | 50            | 25        | 20.3                    | 20.3   | 20.1   | 19.6   | 19.3   | 19.1   | 20.3   | 19.8   | 20.1   | 19.4   | 19.3   | 19.2   |
|                 |            | 100           | 0         | 20.3                    | 20.4   | 20.1   | 19.5   | 19.5   | 19.1   | 20.2   | 19.8   | 20.0   | 19.4   | 19.2   | 19.2   |

**OUTPUT POWER FOR 5G NR n41 (50.0 MHz)**

| Bandwidth (MHz) | Modulation | RB Allocation | RB Offset | Conducted Average (dBm) |        |        |        |        |        |        |        |        |        |        |        |
|-----------------|------------|---------------|-----------|-------------------------|--------|--------|--------|--------|--------|--------|--------|--------|--------|--------|--------|
|                 |            |               |           | ANT 2                   |        |        | ANT 0  |        |        | ANT 1  |        |        | ANT 5  |        |        |
|                 |            |               |           | 504200                  | 518600 | 533000 | 504200 | 518600 | 533000 | 504200 | 518600 | 533000 | 504200 | 518600 | 533000 |
| 50.0            | BPSK       | 1             | 0         | 24.5                    | 24.4   | 24.4   | 23.7   | 23.6   | 23.3   | 24.3   | 24.2   | 24.1   | 23.4   | 23.3   | 23.4   |
|                 |            | 1             | 1         | 25.0                    | 24.9   | 24.8   | 24.0   | 23.9   | 23.6   | 24.7   | 24.6   | 24.6   | 24.0   | 23.8   | 23.9   |
|                 |            | 1             | 131       | 25.0                    | 24.9   | 24.8   | 24.0   | 23.7   | 23.5   | 24.8   | 24.3   | 24.5   | 24.0   | 23.9   | 23.9   |
|                 |            | 1             | 132       | 24.4                    | 24.4   | 24.3   | 23.6   | 23.4   | 23.2   | 24.4   | 23.9   | 24.1   | 23.5   | 23.5   | 23.3   |
|                 |            | 64            | 32        | 25.0                    | 24.8   | 24.9   | 23.9   | 23.8   | 23.6   | 24.8   | 24.4   | 24.6   | 23.8   | 23.9   | 23.7   |
|                 |            | 128           | 0         | 24.5                    | 24.4   | 24.4   | 23.5   | 23.5   | 23.2   | 24.2   | 23.9   | 24.0   | 23.4   | 23.4   | 23.2   |
|                 | QPSK       | 1             | 0         | 24.1                    | 23.9   | 23.8   | 23.2   | 23.0   | 22.7   | 23.7   | 23.5   | 23.6   | 22.9   | 22.9   | 22.8   |
|                 |            | 1             | 1         | 25.0                    | 25.0   | 24.9   | 24.1   | 23.9   | 23.6   | 24.7   | 24.6   | 24.5   | 24.0   | 23.9   | 23.9   |
|                 |            | 1             | 131       | 24.9                    | 25.0   | 24.9   | 24.0   | 23.7   | 23.5   | 24.9   | 24.4   | 24.6   | 24.0   | 23.8   | 23.8   |
|                 |            | 1             | 132       | 24.0                    | 23.9   | 23.9   | 23.1   | 22.9   | 22.6   | 23.8   | 23.4   | 23.6   | 22.9   | 22.7   | 22.9   |
|                 |            | 64            | 32        | 24.9                    | 25.0   | 24.8   | 23.9   | 23.7   | 23.6   | 24.8   | 24.5   | 24.6   | 23.9   | 23.9   | 23.8   |
|                 |            | 128           | 0         | 24.1                    | 24.0   | 23.8   | 23.1   | 23.0   | 22.8   | 23.8   | 23.4   | 23.5   | 22.8   | 22.9   | 22.7   |
|                 | 16QAM      | 1             | 0         | 23.5                    | 22.9   | 22.9   | 22.2   | 22.0   | 21.3   | 22.6   | 22.4   | 22.3   | 22.1   | 22.0   | 21.9   |
|                 |            | 1             | 1         | 24.1                    | 23.6   | 23.7   | 23.4   | 23.1   | 22.8   | 23.5   | 23.6   | 23.6   | 23.1   | 22.9   | 22.8   |
|                 |            | 1             | 131       | 24.1                    | 23.9   | 24.0   | 23.2   | 22.8   | 23.0   | 24.0   | 23.1   | 23.4   | 23.0   | 23.1   | 22.7   |
|                 |            | 1             | 132       | 22.7                    | 22.8   | 22.9   | 21.9   | 22.1   | 21.5   | 22.8   | 22.6   | 22.3   | 22.1   | 21.9   | 21.7   |
|                 |            | 64            | 32        | 24.0                    | 23.9   | 23.9   | 23.1   | 23.0   | 22.9   | 23.8   | 23.5   | 23.6   | 22.9   | 22.8   | 22.7   |
|                 |            | 128           | 0         | 23.0                    | 22.9   | 22.8   | 22.1   | 21.9   | 21.8   | 22.8   | 22.3   | 22.5   | 21.8   | 21.8   | 21.7   |
|                 | 64QAM      | 1             | 0         | 22.5                    | 22.4   | 22.7   | 21.8   | 21.5   | 21.0   | 22.3   | 22.2   | 22.2   | 21.5   | 21.3   | 21.5   |
|                 |            | 1             | 1         | 22.5                    | 22.4   | 22.7   | 21.7   | 21.5   | 21.4   | 22.1   | 22.0   | 21.9   | 21.4   | 21.1   | 21.2   |
|                 |            | 1             | 131       | 22.5                    | 22.2   | 22.3   | 21.5   | 21.4   | 21.3   | 22.3   | 21.9   | 21.8   | 21.1   | 21.2   | 21.2   |
|                 |            | 1             | 132       | 22.6                    | 22.4   | 22.5   | 21.5   | 21.4   | 21.4   | 22.5   | 21.7   | 22.1   | 21.2   | 21.0   | 21.2   |
|                 |            | 64            | 32        | 22.5                    | 22.4   | 22.3   | 21.6   | 21.5   | 21.3   | 22.4   | 21.7   | 22.0   | 21.4   | 21.4   | 21.3   |
|                 |            | 128           | 0         | 22.4                    | 22.4   | 22.3   | 21.7   | 21.4   | 21.3   | 22.3   | 21.7   | 21.9   | 21.5   | 21.3   | 21.2   |
|                 | 256QAM     | 1             | 0         | 20.5                    | 20.3   | 20.4   | 19.7   | 19.2   | 19.3   | 19.9   | 20.0   | 20.0   | 19.5   | 19.5   | 19.6   |
|                 |            | 1             | 1         | 20.5                    | 20.2   | 20.4   | 19.7   | 19.6   | 19.2   | 20.2   | 19.9   | 20.1   | 19.4   | 19.2   | 19.3   |
|                 |            | 1             | 131       | 20.4                    | 20.2   | 20.5   | 19.7   | 19.1   | 19.2   | 20.5   | 20.1   | 19.5   | 19.4   | 19.2   | 19.7   |
|                 |            | 1             | 132       | 20.7                    | 20.2   | 20.2   | 19.6   | 19.2   | 19.2   | 20.1   | 20.0   | 19.8   | 19.4   | 19.4   | 19.6   |
|                 |            | 64            | 32        | 20.4                    | 20.4   | 20.2   | 19.6   | 19.5   | 19.3   | 20.3   | 19.7   | 20.0   | 19.3   | 19.4   | 19.2   |
|                 |            | 128           | 0         | 20.3                    | 20.4   | 20.2   | 19.6   | 19.4   | 19.2   | 20.3   | 19.8   | 20.0   | 19.4   | 19.3   | 19.2   |

**OUTPUT POWER FOR 5G NR n41 (60.0 MHz)**

| Bandwidth (MHz) | Modulation | RB Allocation | RB Offset | Conducted Average (dBm) |        |        |        |        |        |        |        |        |        |        |        |
|-----------------|------------|---------------|-----------|-------------------------|--------|--------|--------|--------|--------|--------|--------|--------|--------|--------|--------|
|                 |            |               |           | ANT 2                   |        |        | ANT 0  |        |        | ANT 1  |        |        | ANT 5  |        |        |
|                 |            |               |           | 505200                  | 518600 | 532000 | 505200 | 518600 | 532000 | 505200 | 518600 | 532000 | 505200 | 518600 | 532000 |
| 60.0            | BPSK       | 1             | 0         | 24.5                    | 24.3   | 24.3   | 23.7   | 23.4   | 23.4   | 24.1   | 24.1   | 23.9   | 23.3   | 23.3   | 23.2   |
|                 |            | 1             | 1         | 24.7                    | 25.0   | 24.8   | 23.9   | 23.7   | 23.6   | 24.7   | 24.6   | 24.5   | 24.0   | 23.8   | 23.7   |
|                 |            | 1             | 160       | 24.8                    | 24.9   | 24.8   | 23.8   | 23.8   | 23.5   | 24.7   | 24.3   | 24.5   | 23.8   | 23.8   | 23.8   |
|                 |            | 1             | 161       | 24.5                    | 24.4   | 24.3   | 23.6   | 23.3   | 23.1   | 24.2   | 23.8   | 23.9   | 23.4   | 23.2   | 23.2   |
|                 |            | 81            | 40        | 25.0                    | 24.9   | 24.9   | 23.8   | 23.8   | 23.6   | 24.7   | 24.3   | 24.6   | 23.8   | 23.9   | 23.7   |
|                 |            | 162           | 0         | 24.3                    | 24.5   | 24.4   | 23.6   | 23.4   | 23.4   | 24.3   | 23.8   | 24.0   | 23.4   | 23.4   | 23.2   |
|                 | QPSK       | 1             | 0         | 24.1                    | 23.8   | 23.8   | 23.2   | 23.0   | 22.9   | 23.5   | 23.6   | 23.4   | 22.9   | 22.8   | 22.8   |
|                 |            | 1             | 1         | 25.0                    | 25.0   | 24.9   | 24.0   | 23.7   | 23.6   | 24.5   | 24.5   | 24.5   | 23.9   | 23.8   | 23.7   |
|                 |            | 1             | 160       | 25.0                    | 25.0   | 24.9   | 24.0   | 23.7   | 23.6   | 24.5   | 24.5   | 24.6   | 23.9   | 23.7   | 23.7   |
|                 |            | 1             | 161       | 24.0                    | 23.9   | 23.8   | 23.0   | 22.9   | 22.8   | 23.6   | 23.3   | 23.5   | 22.9   | 22.6   | 22.7   |
|                 |            | 81            | 40        | 24.9                    | 25.0   | 24.9   | 23.9   | 23.8   | 23.7   | 24.8   | 24.3   | 24.6   | 23.8   | 23.8   | 23.7   |
|                 |            | 162           | 0         | 23.9                    | 23.8   | 23.8   | 23.0   | 23.0   | 22.8   | 23.9   | 23.4   | 23.5   | 22.8   | 22.8   | 22.7   |
|                 | 16QAM      | 1             | 0         | 23.1                    | 23.0   | 23.0   | 22.0   | 22.0   | 21.8   | 22.6   | 22.4   | 22.4   | 21.9   | 22.0   | 22.0   |
|                 |            | 1             | 1         | 24.1                    | 24.3   | 23.8   | 23.2   | 23.2   | 23.2   | 23.7   | 23.7   | 23.8   | 22.6   | 22.8   | 23.0   |
|                 |            | 1             | 160       | 24.0                    | 23.8   | 23.7   | 23.1   | 23.2   | 22.9   | 23.7   | 23.5   | 23.6   | 22.7   | 22.9   | 22.8   |
|                 |            | 1             | 161       | 22.8                    | 23.3   | 22.7   | 22.1   | 21.8   | 21.5   | 22.7   | 22.2   | 22.6   | 21.7   | 22.1   | 21.9   |
|                 |            | 81            | 40        | 23.9                    | 24.0   | 23.8   | 23.0   | 23.0   | 22.9   | 23.8   | 23.3   | 23.4   | 22.8   | 22.8   | 22.8   |
|                 |            | 162           | 0         | 23.0                    | 22.9   | 22.9   | 22.1   | 22.0   | 21.9   | 22.6   | 22.4   | 22.6   | 21.9   | 21.8   | 21.7   |
|                 | 64QAM      | 1             | 0         | 22.7                    | 22.3   | 22.5   | 21.9   | 21.5   | 21.2   | 22.1   | 22.1   | 21.8   | 21.1   | 21.4   | 21.2   |
|                 |            | 1             | 1         | 22.6                    | 22.4   | 22.6   | 21.9   | 21.4   | 20.8   | 22.0   | 22.1   | 21.4   | 21.2   | 21.2   | 21.4   |
|                 |            | 1             | 160       | 22.7                    | 22.4   | 22.4   | 21.6   | 21.4   | 21.2   | 22.2   | 21.7   | 21.9   | 21.2   | 21.5   | 21.5   |
|                 |            | 1             | 161       | 22.6                    | 22.3   | 22.6   | 21.7   | 21.4   | 21.1   | 22.1   | 22.0   | 21.9   | 21.2   | 21.4   | 21.5   |
|                 |            | 81            | 40        | 22.4                    | 22.4   | 22.3   | 21.6   | 21.5   | 21.3   | 22.2   | 21.8   | 22.0   | 21.4   | 21.3   | 21.1   |
|                 |            | 162           | 0         | 22.4                    | 22.4   | 22.4   | 21.6   | 21.5   | 21.3   | 22.2   | 21.8   | 22.0   | 21.4   | 21.2   | 21.2   |
|                 | 256QAM     | 1             | 0         | 20.3                    | 20.5   | 20.4   | 19.6   | 19.7   | 19.3   | 20.1   | 20.2   | 19.9   | 19.3   | 19.5   | 19.4   |
|                 |            | 1             | 1         | 20.6                    | 20.2   | 20.4   | 19.6   | 19.7   | 19.4   | 20.0   | 20.2   | 19.7   | 19.4   | 19.5   | 19.8   |
|                 |            | 1             | 160       | 20.6                    | 20.6   | 20.4   | 19.4   | 19.3   | 19.1   | 20.0   | 20.0   | 20.1   | 19.4   | 19.6   | 19.8   |
|                 |            | 1             | 161       | 20.5                    | 20.3   | 20.5   | 19.5   | 19.5   | 19.0   | 20.1   | 19.7   | 20.0   | 19.2   | 19.4   | 19.7   |
|                 |            | 81            | 40        | 20.3                    | 20.3   | 20.3   | 19.5   | 19.5   | 19.2   | 20.1   | 19.7   | 19.9   | 19.3   | 19.2   | 19.2   |
|                 |            | 162           | 0         | 20.3                    | 20.3   | 20.3   | 19.5   | 19.4   | 19.2   | 20.2   | 19.8   | 19.9   | 19.4   | 19.3   | 19.2   |

**OUTPUT POWER FOR 5G NR n41 (70.0 MHz)**

| Bandwidth (MHz) | Modulation | RB Allocation | RB Offset | Conducted Average (dBm) |        |        |        |        |        |        |        |        |        |        |        |
|-----------------|------------|---------------|-----------|-------------------------|--------|--------|--------|--------|--------|--------|--------|--------|--------|--------|--------|
|                 |            |               |           | ANT 2                   |        |        | ANT 0  |        |        | ANT 1  |        |        | ANT 5  |        |        |
|                 |            |               |           | 506200                  | 518600 | 531000 | 506200 | 518600 | 531000 | 506200 | 518600 | 531000 | 506200 | 518600 | 531000 |
| 70.0            | BPSK       | 1             | 0         | 24.5                    | 24.4   | 24.4   | 23.7   | 23.47  | 23.4   | 24.2   | 24.2   | 23.8   | 23.4   | 23.4   | 23.3   |
|                 |            | 1             | 1         | 25.0                    | 24.9   | 24.9   | 24.1   | 23.86  | 23.7   | 24.7   | 24.7   | 24.2   | 24.0   | 23.9   | 23.9   |
|                 |            | 1             | 187       | 25.0                    | 24.8   | 24.8   | 23.8   | 23.78  | 23.6   | 24.6   | 24.5   | 24.5   | 23.9   | 23.9   | 23.9   |
|                 |            | 1             | 188       | 24.4                    | 24.3   | 24.3   | 23.5   | 23.42  | 23.3   | 24.2   | 23.8   | 24.0   | 23.3   | 23.4   | 23.3   |
|                 |            | 90            | 45        | 24.9                    | 24.9   | 24.8   | 23.8   | 23.79  | 23.6   | 24.8   | 24.3   | 24.4   | 23.9   | 23.9   | 23.6   |
|                 |            | 180           | 0         | 24.5                    | 24.4   | 24.3   | 23.5   | 23.48  | 23.3   | 24.2   | 23.8   | 23.8   | 23.3   | 23.4   | 23.2   |
|                 | QPSK       | 1             | 0         | 23.9                    | 23.9   | 23.8   | 23.3   | 23.05  | 23.0   | 23.8   | 23.7   | 23.2   | 22.9   | 23.0   | 22.9   |
|                 |            | 1             | 1         | 24.7                    | 24.6   | 24.9   | 24.1   | 23.86  | 23.8   | 24.5   | 24.6   | 24.3   | 23.8   | 24.0   | 23.8   |
|                 |            | 1             | 187       | 24.9                    | 25.0   | 24.9   | 23.9   | 23.86  | 23.7   | 24.7   | 24.4   | 24.5   | 23.8   | 23.9   | 23.8   |
|                 |            | 1             | 188       | 23.8                    | 24.0   | 23.7   | 23.1   | 22.88  | 22.8   | 23.7   | 23.4   | 23.5   | 22.8   | 22.9   | 22.7   |
|                 |            | 90            | 45        | 24.9                    | 24.8   | 24.8   | 23.9   | 23.8   | 23.6   | 24.8   | 24.3   | 24.4   | 23.9   | 23.8   | 23.8   |
|                 |            | 180           | 0         | 23.9                    | 23.9   | 23.7   | 23.0   | 22.91  | 22.8   | 23.8   | 23.3   | 23.4   | 22.9   | 22.9   | 22.8   |
|                 | 16QAM      | 1             | 0         | 23.2                    | 22.9   | 22.5   | 21.9   | 22.07  | 22.0   | 22.8   | 22.7   | 22.0   | 21.9   | 21.7   | 22.0   |
|                 |            | 1             | 1         | 24.2                    | 24.0   | 23.7   | 23.2   | 22.64  | 23.0   | 23.9   | 23.7   | 23.4   | 22.9   | 22.8   | 23.0   |
|                 |            | 1             | 187       | 24.1                    | 24.0   | 24.0   | 22.9   | 22.86  | 22.8   | 23.8   | 23.1   | 23.5   | 23.0   | 22.9   | 23.0   |
|                 |            | 1             | 188       | 23.1                    | 22.8   | 22.5   | 21.8   | 21.85  | 21.8   | 22.4   | 22.4   | 22.5   | 21.9   | 21.7   | 21.7   |
|                 |            | 90            | 45        | 23.9                    | 24.0   | 23.8   | 23.1   | 22.96  | 22.8   | 23.7   | 23.3   | 23.4   | 22.8   | 22.8   | 22.7   |
|                 |            | 180           | 0         | 22.9                    | 22.9   | 22.9   | 22.1   | 21.95  | 21.8   | 22.8   | 22.3   | 22.3   | 21.8   | 21.8   | 21.7   |
|                 | 64QAM      | 1             | 0         | 22.9                    | 22.6   | 22.5   | 21.6   | 21.73  | 21.1   | 22.0   | 21.9   | 21.8   | 21.5   | 21.2   | 21.1   |
|                 |            | 1             | 1         | 22.7                    | 22.6   | 22.5   | 21.7   | 21.82  | 21.4   | 21.9   | 22.0   | 21.7   | 21.6   | 21.7   | 21.2   |
|                 |            | 1             | 187       | 22.1                    | 22.1   | 22.1   | 21.5   | 21.79  | 21.0   | 22.1   | 21.6   | 21.8   | 21.2   | 21.7   | 21.1   |
|                 |            | 1             | 188       | 22.0                    | 22.2   | 22.1   | 21.5   | 21.76  | 21.2   | 21.9   | 21.7   | 21.7   | 21.3   | 21.6   | 21.0   |
|                 |            | 90            | 45        | 22.4                    | 22.4   | 22.2   | 21.6   | 21.46  | 21.2   | 22.3   | 21.8   | 21.9   | 21.3   | 21.2   | 21.2   |
|                 |            | 180           | 0         | 22.4                    | 22.4   | 22.3   | 21.5   | 21.41  | 21.2   | 22.3   | 21.7   | 21.9   | 21.4   | 21.3   | 21.2   |
|                 | 256QAM     | 1             | 0         | 20.7                    | 20.3   | 20.2   | 19.9   | 19.48  | 19.3   | 20.2   | 19.8   | 20.0   | 19.6   | 19.5   | 19.3   |
|                 |            | 1             | 1         | 20.5                    | 20.1   | 20.4   | 19.8   | 19.3   | 19.3   | 20.2   | 20.2   | 20.1   | 19.6   | 19.3   | 19.0   |
|                 |            | 1             | 187       | 20.2                    | 20.3   | 20.0   | 19.7   | 19.47  | 19.1   | 20.3   | 19.8   | 20.2   | 19.4   | 19.4   | 19.2   |
|                 |            | 1             | 188       | 20.3                    | 20.3   | 20.2   | 19.5   | 19.46  | 19.1   | 20.4   | 19.8   | 20.2   | 19.7   | 19.3   | 19.3   |
|                 |            | 90            | 45        | 20.3                    | 20.3   | 20.2   | 19.5   | 19.31  | 19.3   | 20.1   | 19.6   | 19.8   | 19.3   | 19.4   | 19.2   |
|                 |            | 180           | 0         | 20.3                    | 20.3   | 20.3   | 19.6   | 19.33  | 19.3   | 20.2   | 19.8   | 19.9   | 19.3   | 19.2   | 19.2   |

**OUTPUT POWER FOR 5G NR n41 (80.0 MHz)**

| Bandwidth (MHz) | Modulation | RB Allocation | RB Offset | Conducted Average (dBm) |        |        |        |        |        |        |        |        |        |        |        |
|-----------------|------------|---------------|-----------|-------------------------|--------|--------|--------|--------|--------|--------|--------|--------|--------|--------|--------|
|                 |            |               |           | ANT 2                   |        |        | ANT 0  |        |        | ANT 1  |        |        | ANT 5  |        |        |
|                 |            |               |           | 507200                  | 518600 | 530000 | 507200 | 518600 | 530000 | 507200 | 518600 | 530000 | 507200 | 518600 | 530000 |
| 80.0            | BPSK       | 1             | 0         | 24.6                    | 24.4   | 24.4   | 23.8   | 23.6   | 23.5   | 24.1   | 24.3   | 23.9   | 23.5   | 23.5   | 23.5   |
|                 |            | 1             | 1         | 25.0                    | 24.8   | 24.9   | 24.1   | 24.0   | 23.9   | 24.8   | 24.8   | 24.4   | 23.9   | 24.0   | 24.0   |
|                 |            | 1             | 215       | 24.9                    | 24.6   | 24.6   | 23.8   | 23.7   | 23.6   | 24.6   | 24.5   | 24.5   | 24.0   | 24.0   | 23.8   |
|                 |            | 1             | 216       | 24.5                    | 24.4   | 24.4   | 23.5   | 23.4   | 23.3   | 24.1   | 24.0   | 24.0   | 23.5   | 23.4   | 23.3   |
|                 |            | 108           | 54        | 24.9                    | 24.9   | 24.8   | 23.9   | 23.8   | 23.6   | 24.8   | 24.3   | 24.4   | 23.9   | 23.8   | 23.7   |
|                 |            | 216           | 0         | 24.5                    | 24.3   | 24.3   | 23.5   | 23.4   | 23.4   | 24.3   | 23.9   | 23.9   | 23.4   | 23.2   | 23.3   |
|                 | QPSK       | 1             | 0         | 24.0                    | 23.9   | 23.8   | 23.2   | 23.0   | 23.0   | 23.7   | 23.8   | 23.4   | 23.0   | 22.9   | 22.9   |
|                 |            | 1             | 1         | 24.6                    | 24.8   | 24.7   | 24.1   | 23.9   | 23.9   | 24.7   | 24.9   | 24.4   | 23.9   | 23.9   | 23.9   |
|                 |            | 1             | 215       | 24.8                    | 24.9   | 24.9   | 23.9   | 23.7   | 23.6   | 24.5   | 24.5   | 24.6   | 24.0   | 23.9   | 23.8   |
|                 |            | 1             | 216       | 23.9                    | 23.8   | 23.9   | 23.1   | 22.8   | 22.8   | 23.5   | 23.5   | 23.5   | 23.0   | 22.8   | 22.9   |
|                 |            | 108           | 54        | 24.9                    | 24.9   | 24.9   | 23.9   | 23.9   | 23.6   | 24.8   | 24.4   | 24.3   | 23.8   | 23.9   | 23.7   |
|                 |            | 216           | 0         | 23.9                    | 23.8   | 23.8   | 23.0   | 22.9   | 22.9   | 23.8   | 23.5   | 23.4   | 22.9   | 22.8   | 22.8   |
|                 | 16QAM      | 1             | 0         | 23.2                    | 23.0   | 23.1   | 22.3   | 21.9   | 22.1   | 22.7   | 23.0   | 22.3   | 22.1   | 22.0   | 21.9   |
|                 |            | 1             | 1         | 23.9                    | 23.9   | 24.3   | 23.2   | 23.0   | 22.9   | 23.7   | 23.8   | 23.3   | 22.8   | 23.1   | 22.8   |
|                 |            | 1             | 215       | 24.0                    | 24.1   | 23.9   | 23.0   | 22.9   | 23.0   | 23.5   | 23.4   | 23.5   | 22.9   | 22.6   | 22.8   |
|                 |            | 1             | 216       | 22.9                    | 22.7   | 22.8   | 22.1   | 21.6   | 21.7   | 22.3   | 22.8   | 22.4   | 22.0   | 21.9   | 22.1   |
|                 |            | 108           | 54        | 23.9                    | 24.0   | 23.8   | 23.1   | 23.0   | 22.8   | 23.7   | 23.3   | 23.4   | 22.8   | 22.8   | 22.8   |
|                 |            | 216           | 0         | 22.9                    | 22.8   | 22.9   | 22.1   | 22.0   | 21.8   | 22.7   | 22.4   | 22.3   | 21.9   | 21.7   | 21.7   |
|                 | 64QAM      | 1             | 0         | 22.6                    | 22.2   | 22.2   | 21.9   | 21.5   | 21.1   | 22.1   | 22.3   | 21.9   | 21.4   | 21.4   | 21.9   |
|                 |            | 1             | 1         | 22.7                    | 22.3   | 22.7   | 21.7   | 21.6   | 21.5   | 22.0   | 22.4   | 21.8   | 21.6   | 21.5   | 21.8   |
|                 |            | 1             | 215       | 22.7                    | 22.6   | 22.4   | 21.4   | 21.1   | 21.2   | 21.9   | 22.3   | 22.1   | 21.4   | 21.3   | 21.8   |
|                 |            | 1             | 216       | 22.7                    | 22.5   | 22.5   | 21.5   | 21.3   | 21.2   | 21.9   | 22.1   | 22.0   | 21.5   | 21.4   | 21.6   |
|                 |            | 108           | 54        | 22.4                    | 22.3   | 22.3   | 21.5   | 21.5   | 21.2   | 22.1   | 21.8   | 21.8   | 21.4   | 21.4   | 21.1   |
|                 |            | 216           | 0         | 22.5                    | 22.4   | 22.3   | 21.6   | 21.5   | 21.3   | 22.3   | 21.8   | 21.8   | 21.4   | 21.3   | 21.1   |
|                 | 256QAM     | 1             | 0         | 20.5                    | 20.5   | 20.5   | 19.7   | 19.4   | 19.4   | 20.0   | 20.3   | 19.5   | 19.7   | 19.5   | 19.4   |
|                 |            | 1             | 1         | 20.7                    | 20.6   | 20.3   | 19.6   | 19.5   | 19.4   | 20.4   | 20.4   | 19.7   | 19.7   | 19.6   | 19.5   |
|                 |            | 1             | 215       | 20.2                    | 20.6   | 20.3   | 19.4   | 19.3   | 19.3   | 19.7   | 19.9   | 19.8   | 19.8   | 19.5   | 19.4   |
|                 |            | 1             | 216       | 20.2                    | 20.4   | 20.3   | 19.4   | 19.2   | 19.2   | 19.6   | 19.9   | 19.9   | 19.8   | 19.3   | 19.6   |
|                 |            | 108           | 54        | 20.4                    | 20.3   | 20.1   | 19.5   | 19.4   | 19.3   | 20.1   | 19.7   | 19.9   | 19.2   | 19.3   | 19.2   |
|                 |            | 216           | 0         | 20.3                    | 20.3   | 20.2   | 19.5   | 19.4   | 19.2   | 20.1   | 19.9   | 19.9   | 19.4   | 19.3   | 19.2   |

**OUTPUT POWER FOR 5G NR n41 (90.0 MHz)**

| Bandwidth (MHz) | Modulation | RB Allocation | RB Offset | Conducted Average (dBm) |        |        |        |        |        |        |        |        |        |        |        |
|-----------------|------------|---------------|-----------|-------------------------|--------|--------|--------|--------|--------|--------|--------|--------|--------|--------|--------|
|                 |            |               |           | ANT 2                   |        |        | ANT 0  |        |        | ANT 1  |        |        | ANT 5  |        |        |
|                 |            |               |           | 508200                  | 518600 | 529000 | 508200 | 518600 | 529000 | 508200 | 518600 | 529000 | 508200 | 518600 | 529000 |
| 90.0            | BPSK       | 1             | 0         | 24.6                    | 24.5   | 24.5   | 23.7   | 23.5   | 23.5   | 24.1   | 24.3   | 23.8   | 23.5   | 23.5   | 23.4   |
|                 |            | 1             | 1         | 24.9                    | 24.6   | 24.7   | 24.3   | 24.0   | 24.0   | 24.9   | 24.9   | 24.3   | 24.1   | 24.1   | 24.0   |
|                 |            | 1             | 243       | 24.8                    | 24.9   | 24.9   | 24.0   | 23.7   | 23.7   | 24.6   | 24.5   | 24.6   | 24.1   | 24.0   | 23.9   |
|                 |            | 1             | 244       | 24.5                    | 24.4   | 24.4   | 23.4   | 23.3   | 23.2   | 23.9   | 24.0   | 23.9   | 23.5   | 23.4   | 23.4   |
|                 |            | 120           | 60        | 24.9                    | 25.0   | 24.7   | 23.9   | 23.7   | 23.7   | 24.9   | 24.4   | 24.3   | 23.9   | 23.9   | 23.6   |
|                 |            | 243           | 0         | 24.6                    | 24.4   | 24.3   | 23.5   | 23.5   | 23.4   | 24.2   | 23.9   | 23.9   | 23.4   | 23.3   | 23.3   |
|                 | QPSK       | 1             | 0         | 24.1                    | 24.0   | 24.0   | 23.2   | 23.0   | 23.1   | 23.6   | 23.8   | 23.2   | 22.9   | 23.0   | 23.0   |
|                 |            | 1             | 1         | 24.9                    | 24.8   | 25.0   | 24.3   | 24.0   | 24.0   | 24.7   | 24.8   | 24.5   | 24.0   | 24.1   | 24.1   |
|                 |            | 1             | 243       | 24.4                    | 24.9   | 24.7   | 24.0   | 23.9   | 23.7   | 24.5   | 24.6   | 24.6   | 24.1   | 23.8   | 23.9   |
|                 |            | 1             | 244       | 24.0                    | 23.9   | 23.9   | 23.0   | 22.8   | 22.6   | 23.3   | 23.4   | 23.5   | 22.9   | 22.7   | 22.8   |
|                 |            | 120           | 60        | 25.0                    | 25.0   | 24.8   | 23.9   | 23.8   | 23.6   | 24.8   | 24.3   | 24.3   | 23.9   | 23.8   | 23.8   |
|                 |            | 243           | 0         | 24.0                    | 23.9   | 23.9   | 23.1   | 23.0   | 22.9   | 23.7   | 23.4   | 23.2   | 22.9   | 22.9   | 22.8   |
|                 | 16QAM      | 1             | 0         | 23.0                    | 22.7   | 23.0   | 22.2   | 21.8   | 21.9   | 22.4   | 22.8   | 22.4   | 21.8   | 22.0   | 22.0   |
|                 |            | 1             | 1         | 24.3                    | 23.9   | 24.2   | 23.3   | 23.1   | 23.2   | 23.7   | 23.9   | 23.5   | 22.9   | 23.0   | 23.0   |
|                 |            | 1             | 243       | 24.1                    | 23.8   | 24.0   | 23.2   | 22.9   | 22.8   | 23.5   | 23.5   | 23.5   | 23.0   | 22.6   | 22.8   |
|                 |            | 1             | 244       | 22.9                    | 22.4   | 22.8   | 22.4   | 21.8   | 21.6   | 22.3   | 22.4   | 22.8   | 22.0   | 22.2   | 21.9   |
|                 |            | 120           | 60        | 23.9                    | 23.9   | 23.7   | 23.1   | 23.0   | 22.8   | 23.7   | 23.3   | 23.3   | 22.9   | 22.9   | 22.7   |
|                 |            | 243           | 0         | 23.0                    | 22.9   | 22.9   | 22.1   | 21.9   | 21.8   | 22.7   | 22.4   | 22.2   | 21.9   | 21.8   | 21.6   |
|                 | 64QAM      | 1             | 0         | 22.5                    | 22.2   | 22.4   | 21.3   | 21.5   | 21.4   | 22.0   | 22.2   | 21.3   | 21.5   | 21.7   | 21.4   |
|                 |            | 1             | 1         | 22.8                    | 22.5   | 22.5   | 21.7   | 21.5   | 21.4   | 22.1   | 22.1   | 21.9   | 21.4   | 21.6   | 21.6   |
|                 |            | 1             | 243       | 22.5                    | 22.4   | 22.6   | 21.4   | 21.7   | 21.2   | 21.8   | 21.9   | 21.6   | 21.6   | 21.4   | 21.4   |
|                 |            | 1             | 244       | 22.6                    | 22.3   | 22.2   | 21.1   | 21.5   | 21.1   | 21.9   | 21.8   | 22.0   | 21.3   | 21.3   | 21.3   |
|                 |            | 120           | 60        | 22.4                    | 22.4   | 22.3   | 21.5   | 21.4   | 21.2   | 22.2   | 21.7   | 21.8   | 21.4   | 21.3   | 21.2   |
|                 |            | 243           | 0         | 22.5                    | 22.4   | 22.2   | 21.6   | 21.4   | 21.4   | 22.2   | 21.8   | 21.8   | 21.5   | 21.3   | 21.2   |
|                 | 256QAM     | 1             | 0         | 20.6                    | 20.0   | 20.4   | 19.8   | 19.8   | 19.2   | 20.0   | 20.4   | 19.7   | 19.1   | 19.2   | 19.5   |
|                 |            | 1             | 1         | 20.6                    | 20.4   | 20.6   | 20.0   | 19.8   | 19.5   | 20.2   | 20.4   | 20.1   | 19.6   | 19.3   | 19.6   |
|                 |            | 1             | 243       | 20.6                    | 20.0   | 20.2   | 19.8   | 19.2   | 19.2   | 19.9   | 20.0   | 19.9   | 19.2   | 19.5   | 19.5   |
|                 |            | 1             | 244       | 20.2                    | 20.2   | 20.4   | 19.6   | 19.6   | 19.0   | 19.7   | 19.9   | 19.9   | 19.5   | 18.9   | 19.6   |
|                 |            | 120           | 60        | 20.3                    | 20.4   | 20.3   | 19.6   | 19.4   | 19.3   | 20.3   | 19.8   | 19.8   | 19.4   | 19.3   | 19.2   |
|                 |            | 243           | 0         | 20.4                    | 20.3   | 20.3   | 19.6   | 19.4   | 19.3   | 20.1   | 19.8   | 19.9   | 19.4   | 19.3   | 19.3   |

**OUTPUT POWER FOR 5G NR n41 (100.0 MHz)**

| Bandwidth (MHz) | Modulation | RB Allocation | RB Offset | Conducted Average (dBm) |        |        |        |        |        |        |        |        |        |        |        |
|-----------------|------------|---------------|-----------|-------------------------|--------|--------|--------|--------|--------|--------|--------|--------|--------|--------|--------|
|                 |            |               |           | ANT 2                   |        |        | ANT 0  |        |        | ANT 1  |        |        | ANT 5  |        |        |
|                 |            |               |           | 509200                  | 528600 | 528000 | 509200 | 528600 | 528000 | 509200 | 528600 | 528000 | 509200 | 528600 | 528000 |
| 100.0           | BPSK       | 1             | 0         | 24.6                    | 24.5   | 24.3   | 23.7   | 23.5   | 23.5   | 24.2   | 24.3   | 23.7   | 23.4   | 23.3   | 23.4   |
|                 |            | 1             | 1         | 24.9                    | 24.8   | 24.9   | 24.3   | 24.0   | 24.0   | 24.8   | 24.9   | 24.5   | 24.0   | 24.1   | 24.0   |
|                 |            | 1             | 271       | 24.8                    | 24.9   | 24.9   | 24.0   | 23.7   | 23.7   | 24.4   | 24.7   | 24.7   | 24.1   | 24.1   | 23.8   |
|                 |            | 1             | 272       | 24.5                    | 24.2   | 24.3   | 23.4   | 23.3   | 23.2   | 23.8   | 23.9   | 23.9   | 23.4   | 23.2   | 23.2   |
|                 |            | 135           | 67        | 24.9                    | 24.9   | 24.8   | 23.9   | 23.7   | 23.7   | 24.8   | 24.4   | 24.5   | 24.0   | 23.8   | 23.8   |
|                 |            | 270           | 0         | 24.5                    | 24.4   | 24.3   | 23.5   | 23.5   | 23.4   | 24.3   | 23.8   | 23.9   | 23.4   | 23.3   | 23.3   |
|                 |            | 1             | 0         | 24.0                    | 23.9   | 23.9   | 23.2   | 23.0   | 23.1   | 23.6   | 23.7   | 23.3   | 22.9   | 22.9   | 23.0   |
|                 |            | 1             | 1         | 24.8                    | 24.9   | 24.8   | 24.3   | 24.0   | 24.0   | 24.7   | 24.9   | 24.5   | 24.1   | 24.2   | 24.1   |
|                 | QPSK       | 1             | 271       | 24.7                    | 24.7   | 24.6   | 24.0   | 23.9   | 23.7   | 24.4   | 24.6   | 24.7   | 24.0   | 24.1   | 24.0   |
|                 |            | 1             | 272       | 23.9                    | 23.8   | 23.8   | 23.0   | 22.8   | 22.6   | 23.3   | 23.5   | 23.5   | 22.8   | 22.8   | 22.7   |
|                 |            | 135           | 67        | 25.0                    | 25.0   | 24.9   | 23.9   | 23.8   | 23.6   | 24.8   | 24.3   | 24.5   | 24.0   | 23.9   | 23.8   |
|                 |            | 270           | 0         | 24.0                    | 24.0   | 23.8   | 23.1   | 23.0   | 22.9   | 23.7   | 23.3   | 23.4   | 23.0   | 22.9   | 22.7   |
|                 |            | 1             | 0         | 22.9                    | 22.9   | 22.7   | 22.2   | 21.8   | 21.9   | 22.5   | 22.7   | 22.5   | 21.6   | 21.7   | 21.8   |
|                 |            | 1             | 1         | 24.1                    | 24.0   | 24.0   | 23.3   | 23.1   | 23.2   | 23.7   | 24.1   | 23.8   | 23.0   | 23.1   | 23.2   |
|                 |            | 1             | 271       | 24.4                    | 24.3   | 23.9   | 23.2   | 22.9   | 22.8   | 23.5   | 23.6   | 23.8   | 22.8   | 22.8   | 23.0   |
|                 |            | 1             | 272       | 23.1                    | 22.9   | 22.7   | 22.4   | 21.8   | 21.6   | 22.3   | 22.4   | 22.6   | 21.8   | 21.7   | 21.7   |
|                 | 16QAM      | 135           | 67        | 24.0                    | 24.1   | 23.8   | 23.1   | 23.0   | 22.8   | 23.7   | 23.4   | 23.3   | 22.9   | 22.9   | 22.8   |
|                 |            | 270           | 0         | 23.0                    | 23.0   | 22.8   | 22.1   | 21.9   | 21.8   | 22.7   | 22.3   | 22.4   | 22.0   | 21.8   | 21.8   |
|                 |            | 1             | 0         | 22.5                    | 22.5   | 22.3   | 21.3   | 21.5   | 21.4   | 22.0   | 22.4   | 21.8   | 21.5   | 21.3   | 21.6   |
|                 |            | 1             | 1         | 22.6                    | 22.4   | 22.8   | 21.7   | 21.5   | 21.4   | 22.1   | 22.5   | 22.1   | 21.8   | 21.3   | 21.7   |
|                 |            | 1             | 271       | 22.6                    | 22.7   | 22.3   | 21.4   | 21.7   | 21.2   | 21.8   | 22.1   | 22.3   | 21.6   | 21.1   | 21.5   |
|                 |            | 1             | 272       | 22.6                    | 22.5   | 22.5   | 21.1   | 21.5   | 21.1   | 21.9   | 22.0   | 21.9   | 21.5   | 21.3   | 20.8   |
|                 |            | 135           | 67        | 22.4                    | 22.4   | 22.2   | 21.5   | 21.4   | 21.2   | 22.2   | 21.8   | 22.0   | 21.4   | 21.4   | 21.2   |
|                 |            | 270           | 0         | 22.5                    | 22.4   | 22.3   | 21.6   | 21.4   | 21.4   | 22.2   | 21.8   | 21.9   | 21.5   | 21.3   | 21.3   |
|                 | 64QAM      | 1             | 0         | 20.7                    | 20.1   | 20.3   | 19.8   | 19.8   | 19.2   | 20.1   | 20.3   | 19.5   | 19.3   | 19.6   | 19.0   |
|                 |            | 1             | 1         | 20.6                    | 20.6   | 20.4   | 20.0   | 19.8   | 19.5   | 20.1   | 20.3   | 19.8   | 19.5   | 19.7   | 19.2   |
|                 |            | 1             | 271       | 20.6                    | 20.4   | 20.4   | 19.8   | 19.2   | 19.2   | 20.2   | 19.9   | 19.9   | 19.4   | 19.6   | 19.1   |
|                 |            | 1             | 272       | 20.2                    | 20.4   | 20.1   | 19.6   | 19.6   | 19.0   | 19.9   | 19.7   | 19.9   | 19.2   | 19.5   | 18.9   |
|                 |            | 135           | 67        | 20.4                    | 20.3   | 20.2   | 19.6   | 19.4   | 19.3   | 20.2   | 19.8   | 19.8   | 19.5   | 19.3   | 19.3   |
|                 |            | 270           | 0         | 20.5                    | 20.4   | 20.3   | 19.6   | 19.4   | 19.3   | 20.2   | 19.8   | 19.9   | 19.6   | 19.3   | 19.3   |

## 8.12. LTE BAND 41 AND 5G NR n41 HPUE

### LTE BAND 41

|                          |                     |                   |                          |
|--------------------------|---------------------|-------------------|--------------------------|
| <b>Test Engineer ID:</b> | 39005RA and 19210AL | <b>Test Date:</b> | 2024-02-27 to 2024-02-28 |
|--------------------------|---------------------|-------------------|--------------------------|

### OUTPUT POWER FOR LTE BAND 41 (5.0 MHz)

| Bandwidth (MHz) | Modulation | RB Allocation | RB Offset | Conducted Average (dBm) |       |       |       |       |       |      |
|-----------------|------------|---------------|-----------|-------------------------|-------|-------|-------|-------|-------|------|
|                 |            |               |           | ANT 2                   |       |       | ANT 0 |       |       |      |
|                 |            |               |           | 39675                   | 40620 | 41565 | 39675 | 40620 | 41565 |      |
| 5.0             | QPSK       | 1             | 0         | 26.8                    | 26.7  | 26.8  | 25.9  | 25.7  | 25.6  |      |
|                 |            | 1             | 12        | 26.5                    | 26.3  | 26.5  | 25.8  | 25.6  | 25.4  |      |
|                 |            | 1             | 24        | 26.7                    | 26.6  | 26.7  | 25.9  | 25.7  | 25.5  |      |
|                 |            | 12            | 0         | 25.7                    | 25.6  | 25.7  | 24.9  | 24.7  | 24.6  |      |
|                 |            | 12            | 6         | 25.7                    | 25.6  | 25.6  | 25.0  | 24.7  | 24.6  |      |
|                 |            | 12            | 11        | 25.7                    | 25.7  | 25.7  | 24.9  | 24.7  | 24.6  |      |
|                 | 16QAM      | 25            | 0         | 25.7                    | 25.7  | 25.7  | 24.9  | 24.7  | 24.6  |      |
|                 |            | 1             | 0         | 25.7                    | 26.0  | 25.8  | 25.0  | 24.7  | 25.0  |      |
|                 |            | 1             | 12        | 25.5                    | 26.2  | 26.0  | 24.9  | 25.1  | 24.8  |      |
|                 |            | 1             | 24        | 25.8                    | 26.1  | 25.9  | 25.0  | 24.7  | 25.0  |      |
|                 |            | 12            | 0         | 24.7                    | 24.6  | 24.7  | 23.9  | 23.7  | 23.6  |      |
|                 |            | 12            | 6         | 24.7                    | 24.6  | 24.7  | 23.8  | 23.6  | 23.6  |      |
|                 | 64QAM      | 12            | 11        | 24.7                    | 24.6  | 24.7  | 23.8  | 23.6  | 23.5  |      |
|                 |            | 25            | 0         | 24.7                    | 24.6  | 24.7  | 23.9  | 23.6  | 23.6  |      |
|                 |            | 1             | 0         | 25.1                    | 25.0  | 24.9  | 24.1  | 24.2  | 23.8  |      |
|                 |            | 1             | 12        | 25.4                    | 24.7  | 25.2  | 24.1  | 24.1  | 24.1  |      |
|                 |            | 1             | 24        | 25.2                    | 25.0  | 25.0  | 24.0  | 24.1  | 23.9  |      |
|                 |            | 12            | 0         | 23.5                    | 23.5  | 23.5  | 22.7  | 22.6  | 22.5  |      |
|                 | 256QAM     | 12            | 6         | 23.5                    | 23.5  | 23.4  | 22.6  | 22.6  | 22.5  |      |
|                 |            | 12            | 11        | 23.5                    | 23.5  | 23.4  | 22.7  | 22.6  | 22.5  |      |
|                 |            | 25            | 0         | 23.5                    | 23.4  | 23.5  | 22.8  | 22.5  | 22.5  |      |
|                 |            | 1             | 0         | 21.9                    | 21.8  | 21.7  | 20.9  | 20.8  | 20.8  |      |
|                 |            | 1             | 12        | 21.9                    | 21.7  | 21.2  | 20.7  | 20.9  | 20.6  |      |
|                 |            | 1             | 24        | 21.9                    | 21.7  | 21.7  | 20.8  | 20.8  | 20.7  |      |
|                 |            | 256QAM        | 12        | 0                       | 21.5  | 21.3  | 21.4  | 20.8  | 20.6  | 20.4 |
|                 |            |               | 12        | 6                       | 21.5  | 21.4  | 21.4  | 20.8  | 20.5  | 20.4 |
|                 |            |               | 12        | 11                      | 21.5  | 21.4  | 21.4  | 20.8  | 20.5  | 20.4 |
|                 |            | 25            | 0         | 21.4                    | 21.3  | 21.4  | 20.7  | 20.5  | 20.3  |      |

### OUTPUT POWER FOR LTE BAND 41 (10.0 MHz)

| Bandwidth (MHz) | Modulation | RB Allocation | RB Offset | Conducted Average (dBm) |       |       |       |       |       |      |
|-----------------|------------|---------------|-----------|-------------------------|-------|-------|-------|-------|-------|------|
|                 |            |               |           | ANT 2                   |       |       | ANT 0 |       |       |      |
|                 |            |               |           | 39700                   | 40620 | 41540 | 39700 | 40620 | 41540 |      |
| 10.0            | QPSK       | 1             | 0         | 26.8                    | 26.8  | 26.8  | 25.9  | 25.9  | 25.6  |      |
|                 |            | 1             | 24        | 26.8                    | 26.6  | 26.7  | 25.8  | 25.8  | 25.4  |      |
|                 |            | 1             | 49        | 26.8                    | 26.8  | 26.7  | 25.9  | 25.8  | 25.6  |      |
|                 |            | 25            | 0         | 25.8                    | 25.7  | 25.8  | 24.9  | 24.8  | 24.6  |      |
|                 |            | 25            | 12        | 25.8                    | 25.7  | 25.7  | 24.9  | 24.8  | 24.6  |      |
|                 |            | 25            | 24        | 25.7                    | 25.7  | 25.7  | 24.9  | 24.8  | 24.6  |      |
|                 | 16QAM      | 50            | 0         | 25.7                    | 25.7  | 25.7  | 25.0  | 24.7  | 24.6  |      |
|                 |            | 1             | 0         | 25.6                    | 26.1  | 25.7  | 25.1  | 24.8  | 24.8  |      |
|                 |            | 1             | 24        | 25.5                    | 25.8  | 25.7  | 24.9  | 24.9  | 24.8  |      |
|                 |            | 1             | 49        | 25.7                    | 26.1  | 25.7  | 25.1  | 24.8  | 24.7  |      |
|                 |            | 25            | 0         | 24.7                    | 24.7  | 24.7  | 23.9  | 23.7  | 23.7  |      |
|                 |            | 25            | 12        | 24.7                    | 24.7  | 24.7  | 23.9  | 23.7  | 23.7  |      |
|                 | 64QAM      | 25            | 24        | 24.7                    | 24.7  | 24.6  | 23.9  | 23.7  | 23.6  |      |
|                 |            | 50            | 0         | 24.8                    | 24.7  | 24.8  | 23.9  | 23.7  | 23.6  |      |
|                 |            | 1             | 0         | 24.9                    | 24.7  | 24.9  | 23.9  | 23.7  | 23.6  |      |
|                 |            | 1             | 24        | 24.8                    | 24.7  | 24.9  | 23.7  | 23.7  | 23.6  |      |
|                 |            | 1             | 49        | 24.9                    | 24.7  | 24.8  | 24.0  | 23.6  | 23.4  |      |
|                 |            | 25            | 0         | 23.7                    | 23.5  | 23.6  | 22.8  | 22.6  | 22.4  |      |
|                 | 256QAM     | 25            | 12        | 23.6                    | 23.5  | 23.6  | 22.7  | 22.6  | 22.4  |      |
|                 |            | 25            | 24        | 23.6                    | 23.5  | 23.6  | 22.7  | 22.6  | 22.4  |      |
|                 |            | 50            | 0         | 23.6                    | 23.5  | 23.5  | 22.8  | 22.6  | 22.4  |      |
|                 |            | 1             | 0         | 21.8                    | 21.8  | 21.5  | 21.0  | 20.7  | 20.7  |      |
|                 |            | 1             | 24        | 21.7                    | 21.9  | 21.4  | 20.9  | 20.4  | 20.6  |      |
|                 |            | 1             | 49        | 21.8                    | 21.8  | 21.4  | 20.9  | 20.6  | 20.7  |      |
|                 |            | 256QAM        | 25        | 0                       | 21.6  | 21.4  | 21.4  | 20.8  | 20.5  | 20.4 |
|                 |            |               | 25        | 12                      | 21.6  | 21.4  | 21.4  | 20.8  | 20.5  | 20.4 |
|                 |            |               | 25        | 24                      | 21.5  | 21.4  | 21.4  | 20.8  | 20.5  | 20.4 |
|                 |            | 50            | 0         | 21.5                    | 21.4  | 21.5  | 20.7  | 20.6  | 20.3  |      |

**OUTPUT POWER FOR LTE BAND 41 (15.0 MHz)**

| Bandwidth (MHz) | Modulation | RB Allocation | RB Offset | Conducted Average (dBm) |       |       |       |       |       |
|-----------------|------------|---------------|-----------|-------------------------|-------|-------|-------|-------|-------|
|                 |            |               |           | ANT 2                   |       |       | ANT 0 |       |       |
|                 |            |               |           | 39725                   | 40620 | 41515 | 39725 | 40620 | 41515 |
| 15.0            | QPSK       | 1             | 0         | 26.8                    | 26.8  | 26.8  | 26.0  | 25.8  | 25.7  |
|                 |            | 1             | 37        | 26.8                    | 26.8  | 26.8  | 25.8  | 26.2  | 25.8  |
|                 |            | 1             | 74        | 26.8                    | 26.7  | 26.7  | 25.9  | 25.7  | 25.5  |
|                 |            | 36            | 0         | 25.9                    | 25.7  | 25.8  | 25.0  | 24.8  | 24.7  |
|                 |            | 36            | 16        | 25.9                    | 25.7  | 25.8  | 25.0  | 24.7  | 24.6  |
|                 |            | 36            | 35        | 25.9                    | 25.7  | 25.8  | 25.0  | 24.7  | 24.6  |
|                 |            | 75            | 0         | 25.9                    | 25.8  | 25.8  | 25.0  | 24.8  | 24.7  |
|                 | 16QAM      | 1             | 0         | 25.9                    | 25.7  | 25.9  | 25.0  | 25.1  | 24.9  |
|                 |            | 1             | 37        | 25.6                    | 26.0  | 25.6  | 25.0  | 24.9  | 25.0  |
|                 |            | 1             | 74        | 25.9                    | 25.6  | 25.7  | 24.9  | 25.0  | 24.8  |
|                 |            | 36            | 0         | 24.8                    | 24.6  | 24.8  | 24.0  | 23.7  | 23.6  |
|                 |            | 36            | 16        | 24.8                    | 24.6  | 24.8  | 24.0  | 23.7  | 23.6  |
|                 |            | 36            | 35        | 24.8                    | 24.6  | 24.7  | 23.9  | 23.7  | 23.5  |
|                 |            | 75            | 0         | 24.8                    | 24.7  | 24.7  | 23.9  | 23.7  | 23.6  |
|                 | 64QAM      | 1             | 0         | 24.8                    | 24.9  | 24.8  | 24.0  | 23.7  | 24.0  |
|                 |            | 1             | 37        | 25.2                    | 24.8  | 24.6  | 24.1  | 23.6  | 24.2  |
|                 |            | 1             | 74        | 24.8                    | 24.8  | 24.7  | 23.9  | 23.6  | 23.9  |
|                 |            | 36            | 0         | 23.6                    | 23.4  | 23.5  | 22.8  | 22.6  | 22.5  |
|                 |            | 36            | 16        | 23.6                    | 23.4  | 23.5  | 22.8  | 22.6  | 22.5  |
|                 |            | 36            | 35        | 23.6                    | 23.4  | 23.5  | 22.8  | 22.5  | 22.5  |
|                 |            | 75            | 0         | 23.7                    | 23.4  | 23.6  | 22.8  | 22.6  | 22.4  |
|                 | 256QAM     | 1             | 0         | 22.2                    | 21.8  | 21.8  | 21.2  | 21.1  | 20.5  |
|                 |            | 1             | 37        | 22.1                    | 22.1  | 22.1  | 21.3  | 21.4  | 20.7  |
|                 |            | 1             | 74        | 22.1                    | 21.8  | 21.7  | 21.1  | 21.0  | 20.4  |
|                 |            | 36            | 0         | 21.6                    | 21.3  | 21.4  | 20.7  | 20.5  | 20.5  |
|                 |            | 36            | 16        | 21.6                    | 21.3  | 21.4  | 20.7  | 20.5  | 20.4  |
|                 |            | 36            | 35        | 21.6                    | 21.3  | 21.4  | 20.7  | 20.5  | 20.4  |
|                 |            | 75            | 0         | 21.6                    | 21.4  | 21.4  | 20.8  | 20.5  | 20.4  |

**OUTPUT POWER FOR LTE BAND 41 (20.0 MHz)**

| Bandwidth (MHz) | Modulation | RB Allocation | RB Offset | Conducted Average (dBm) |       |       |       |       |       |
|-----------------|------------|---------------|-----------|-------------------------|-------|-------|-------|-------|-------|
|                 |            |               |           | ANT 2                   |       |       | ANT 0 |       |       |
|                 |            |               |           | 39750                   | 40620 | 41490 | 39750 | 40620 | 41490 |
| 20.0            | QPSK       | 1             | 0         | 26.8                    | 26.7  | 26.8  | 25.9  | 25.8  | 25.8  |
|                 |            | 1             | 49        | 26.7                    | 26.6  | 26.6  | 25.9  | 25.8  | 25.5  |
|                 |            | 1             | 99        | 26.8                    | 26.7  | 26.8  | 25.9  | 25.8  | 25.5  |
|                 |            | 50            | 0         | 25.8                    | 25.7  | 25.8  | 25.0  | 24.7  | 24.7  |
|                 |            | 50            | 24        | 25.8                    | 25.7  | 25.8  | 25.0  | 24.7  | 24.7  |
|                 |            | 50            | 49        | 25.8                    | 25.7  | 25.8  | 25.0  | 24.7  | 24.7  |
|                 |            | 100           | 0         | 25.8                    | 25.7  | 25.8  | 25.0  | 24.7  | 24.7  |
|                 | 16QAM      | 1             | 0         | 25.9                    | 25.9  | 26.1  | 25.2  | 24.9  | 25.1  |
|                 |            | 1             | 49        | 25.8                    | 25.8  | 25.8  | 25.2  | 24.7  | 25.0  |
|                 |            | 1             | 99        | 25.9                    | 25.8  | 26.0  | 25.3  | 24.8  | 24.9  |
|                 |            | 50            | 0         | 24.8                    | 24.7  | 24.8  | 23.9  | 23.7  | 23.7  |
|                 |            | 50            | 24        | 24.8                    | 24.7  | 24.8  | 23.9  | 23.7  | 23.7  |
|                 |            | 50            | 49        | 24.7                    | 24.7  | 24.8  | 23.9  | 23.7  | 23.7  |
|                 |            | 100           | 0         | 24.8                    | 24.7  | 24.8  | 23.9  | 23.7  | 23.7  |
|                 | 64QAM      | 1             | 0         | 24.8                    | 24.8  | 24.9  | 24.5  | 24.1  | 23.9  |
|                 |            | 1             | 49        | 25.0                    | 25.0  | 25.0  | 24.5  | 23.9  | 23.7  |
|                 |            | 1             | 99        | 24.8                    | 24.8  | 24.9  | 24.5  | 24.0  | 23.8  |
|                 |            | 50            | 0         | 23.7                    | 23.5  | 23.6  | 22.9  | 22.6  | 22.5  |
|                 |            | 50            | 24        | 23.6                    | 23.5  | 23.6  | 22.9  | 22.6  | 22.5  |
|                 |            | 50            | 49        | 23.6                    | 23.5  | 23.6  | 22.8  | 22.5  | 22.5  |
|                 |            | 100           | 0         | 23.7                    | 23.5  | 23.6  | 22.9  | 22.5  | 22.5  |
|                 | 256QAM     | 1             | 0         | 22.0                    | 22.0  | 21.9  | 21.3  | 21.0  | 20.5  |
|                 |            | 1             | 49        | 21.9                    | 21.6  | 21.5  | 21.2  | 21.1  | 20.5  |
|                 |            | 1             | 99        | 21.9                    | 21.9  | 21.9  | 21.2  | 20.9  | 20.4  |
|                 |            | 50            | 0         | 21.6                    | 21.4  | 21.5  | 20.8  | 20.6  | 20.5  |
|                 |            | 50            | 24        | 21.6                    | 21.4  | 21.5  | 20.8  | 20.5  | 20.5  |
|                 |            | 50            | 49        | 21.6                    | 21.4  | 21.5  | 20.7  | 20.5  | 20.4  |
|                 |            | 100           | 0         | 21.6                    | 21.4  | 21.5  | 20.8  | 20.5  | 20.5  |

**5G NR n41**

|                          |         |                   |                          |
|--------------------------|---------|-------------------|--------------------------|
| <b>Test Engineer ID:</b> | 27966PV | <b>Test Date:</b> | 2024-02-07 to 2024-02-15 |
|--------------------------|---------|-------------------|--------------------------|

**OUTPUT POWER FOR 5G NR n41 (10.0 MHz)**

| Bandwidth (MHz) | Modulation | RB Allocation | RB Offset | Conducted Average (dBm) |                  |                  |                  |                  |                  |                  |                  |                  |                  |                  |                  |
|-----------------|------------|---------------|-----------|-------------------------|------------------|------------------|------------------|------------------|------------------|------------------|------------------|------------------|------------------|------------------|------------------|
|                 |            |               |           | ANT 2                   |                  |                  | ANT 0            |                  |                  | ANT 1            |                  |                  | ANT 5            |                  |                  |
|                 |            |               |           | 500200<br>2501.0        | 518600<br>2593.0 | 537000<br>2685.0 | 500200<br>2501.0 | 518600<br>2593.0 | 537000<br>2685.0 | 500200<br>2501.0 | 518600<br>2593.0 | 537000<br>2685.0 | 500200<br>2501.0 | 518600<br>2593.0 | 537000<br>2685.0 |
| 10.0            | BPSK       | 1             | 0         | 23.1                    | 22.9             | 22.7             | 22.1             | 22.0             | 21.7             | 22.7             | 22.7             | 22.6             | 21.9             | 22.1             | 21.8             |
|                 |            | 1             | 1         | 26.8                    | 26.5             | 26.4             | 25.6             | 25.4             | 25.2             | 26.4             | 26.4             | 26.3             | 25.3             | 25.5             | 25.3             |
|                 |            | 1             | 22        | 26.8                    | 26.6             | 26.6             | 25.5             | 25.5             | 25.2             | 26.5             | 26.3             | 26.2             | 25.5             | 25.5             | 25.3             |
|                 |            | 1             | 23        | 23.0                    | 22.9             | 22.8             | 22.1             | 22.0             | 21.6             | 22.8             | 22.7             | 22.5             | 22.0             | 22.1             | 21.8             |
|                 |            | 12            | 6         | 26.7                    | 26.5             | 26.5             | 25.6             | 25.3             | 25.1             | 26.4             | 26.3             | 26.2             | 25.4             | 25.6             | 25.2             |
|                 |            | 24            | 0         | 26.2                    | 26.0             | 25.9             | 25.2             | 25.1             | 24.8             | 25.9             | 25.9             | 25.6             | 24.9             | 25.2             | 24.8             |
|                 | QPSK       | 1             | 0         | 23.0                    | 22.9             | 22.7             | 22.2             | 22.0             | 21.7             | 22.6             | 22.9             | 22.6             | 21.9             | 22.0             | 21.9             |
|                 |            | 1             | 1         | 26.7                    | 26.7             | 26.4             | 25.5             | 25.4             | 25.1             | 26.2             | 26.4             | 26.3             | 0.5              | 25.6             | 25.3             |
|                 |            | 1             | 22        | 26.8                    | 26.8             | 26.4             | 25.6             | 25.4             | 25.2             | 26.4             | 26.4             | 26.3             | 25.4             | 25.5             | 25.2             |
|                 |            | 1             | 23        | 23.0                    | 22.9             | 22.7             | 22.2             | 21.9             | 21.7             | 22.6             | 22.7             | 22.7             | 22.1             | 22.2             | 21.8             |
|                 |            | 12            | 6         | 26.7                    | 26.6             | 26.4             | 25.5             | 25.4             | 25.2             | 26.4             | 26.4             | 26.1             | 25.3             | 25.6             | 25.2             |
|                 |            | 24            | 0         | 25.5                    | 25.5             | 25.3             | 24.7             | 24.6             | 24.2             | 25.3             | 25.3             | 25.1             | 24.5             | 24.7             | 24.4             |
|                 | 16QAM      | 1             | 0         | 23.0                    | 23.2             | 22.8             | 21.8             | 21.8             | 21.6             | 22.5             | 22.9             | 22.4             | 21.8             | 22.2             | 21.6             |
|                 |            | 1             | 1         | 25.6                    | 25.5             | 25.4             | 24.6             | 24.7             | 24.2             | 25.4             | 25.5             | 25.3             | 24.4             | 24.5             | 24.4             |
|                 |            | 1             | 22        | 25.5                    | 25.6             | 25.3             | 24.5             | 24.8             | 24.5             | 25.3             | 25.6             | 25.0             | 24.3             | 24.7             | 24.3             |
|                 |            | 1             | 23        | 23.3                    | 22.9             | 22.8             | 22.1             | 22.1             | 21.9             | 22.8             | 22.9             | 22.4             | 21.7             | 22.2             | 21.8             |
|                 |            | 12            | 6         | 25.7                    | 25.5             | 25.5             | 24.8             | 24.7             | 24.3             | 25.4             | 25.5             | 25.2             | 24.5             | 24.8             | 24.4             |
|                 |            | 24            | 0         | 24.5                    | 24.4             | 24.4             | 23.7             | 23.4             | 23.3             | 24.2             | 24.4             | 24.0             | 23.4             | 23.8             | 23.4             |
|                 | 64QAM      | 1             | 0         | 22.9                    | 22.8             | 23.1             | 22.2             | 21.9             | 21.4             | 22.6             | 23.0             | 22.7             | 22.0             | 21.8             | 21.8             |
|                 |            | 1             | 1         | 24.0                    | 23.7             | 24.1             | 23.4             | 23.2             | 22.6             | 23.7             | 23.8             | 23.6             | 23.0             | 23.2             | 22.6             |
|                 |            | 1             | 22        | 24.2                    | 24.0             | 24.1             | 23.3             | 23.1             | 22.5             | 23.9             | 23.7             | 23.4             | 23.1             | 23.3             | 22.7             |
|                 |            | 1             | 23        | 22.6                    | 22.9             | 23.0             | 22.1             | 21.8             | 21.5             | 22.9             | 22.7             | 22.8             | 22.2             | 22.2             | 21.8             |
|                 |            | 12            | 6         | 24.0                    | 23.9             | 23.9             | 23.2             | 23.0             | 22.8             | 23.7             | 23.9             | 23.5             | 23.0             | 23.2             | 22.8             |
|                 |            | 24            | 0         | 24.0                    | 24.0             | 23.8             | 23.2             | 22.9             | 22.7             | 23.8             | 23.9             | 23.5             | 23.1             | 23.2             | 22.8             |
| 256QAM          | 1          | 0             | 22.0      | 21.8                    | 21.8             | 21.4             | 20.9             | 20.4             | 21.7             | 21.9             | 21.7             | 21.0             | 21.5             | 20.7             |                  |
|                 | 1          | 1             | 22.0      | 21.9                    | 21.8             | 21.2             | 20.9             | 20.4             | 21.6             | 22.3             | 21.5             | 20.8             | 21.4             | 21.1             |                  |
|                 | 1          | 22            | 21.9      | 21.8                    | 21.8             | 21.0             | 20.9             | 20.4             | 21.8             | 22.1             | 21.4             | 21.0             | 21.2             | 21.2             |                  |
|                 | 1          | 23            | 22.1      | 22.0                    | 21.8             | 21.0             | 21.4             | 20.4             | 21.9             | 21.9             | 21.8             | 20.9             | 20.9             | 20.9             |                  |
|                 | 12         | 6             | 22.0      | 21.9                    | 21.7             | 21.1             | 21.0             | 20.7             | 21.8             | 21.7             | 21.4             | 20.9             | 21.2             | 20.9             |                  |
|                 | 24         | 0             | 22.0      | 21.9                    | 21.8             | 21.1             | 20.9             | 20.6             | 21.8             | 21.6             | 21.5             | 21.0             | 21.2             | 20.8             |                  |

**OUTPUT POWER FOR 5G NR n41 (15.0 MHz)**

| Bandwidth (MHz) | Modulation | RB Allocation | RB Offset | Conducted Average (dBm) |                  |                  |                  |                  |                  |                  |                  |                  |                  |                  |                  |
|-----------------|------------|---------------|-----------|-------------------------|------------------|------------------|------------------|------------------|------------------|------------------|------------------|------------------|------------------|------------------|------------------|
|                 |            |               |           | ANT 2                   |                  |                  | ANT 0            |                  |                  | ANT 1            |                  |                  | ANT 5            |                  |                  |
|                 |            |               |           | 500700<br>2503.5        | 518600<br>2593.0 | 536500<br>2682.5 | 500700<br>2503.5 | 518600<br>2593.0 | 536500<br>2682.5 | 500700<br>2503.5 | 518600<br>2593.0 | 536500<br>2682.5 | 500700<br>2503.5 | 518600<br>2593.0 | 536500<br>2682.5 |
| 15.0            | BPSK       | 1             | 0         | 22.9                    | 22.9             | 22.7             | 22.0             | 22.0             | 21.7             | 22.7             | 22.9             | 22.4             | 21.9             | 22.0             | 21.7             |
|                 |            | 1             | 1         | 26.5                    | 26.6             | 26.4             | 25.5             | 25.5             | 25.2             | 26.3             | 26.4             | 26.1             | 25.3             | 25.5             | 25.3             |
|                 |            | 1             | 36        | 26.6                    | 26.6             | 26.4             | 25.5             | 25.4             | 25.1             | 26.4             | 26.5             | 26.1             | 25.1             | 25.6             | 25.2             |
|                 |            | 1             | 37        | 22.9                    | 23.0             | 22.8             | 22.0             | 21.9             | 21.6             | 22.7             | 22.8             | 22.6             | 21.8             | 22.2             | 21.9             |
|                 |            | 18            | 9         | 26.7                    | 26.6             | 26.4             | 25.6             | 25.4             | 25.1             | 26.4             | 26.4             | 26.1             | 25.3             | 25.6             | 25.3             |
|                 |            | 36            | 0         | 26.1                    | 25.9             | 25.9             | 25.3             | 25.1             | 24.8             | 25.9             | 25.8             | 25.7             | 25.0             | 25.1             | 24.9             |
|                 | QPSK       | 1             | 0         | 22.9                    | 22.9             | 22.7             | 22.0             | 21.9             | 21.7             | 22.7             | 22.9             | 22.6             | 21.8             | 22.2             | 21.8             |
|                 |            | 1             | 1         | 26.5                    | 26.6             | 26.4             | 25.6             | 25.4             | 25.2             | 26.4             | 26.4             | 26.1             | 25.2             | 25.6             | 25.3             |
|                 |            | 1             | 36        | 26.5                    | 26.7             | 26.4             | 25.6             | 25.5             | 25.0             | 26.5             | 26.5             | 26.1             | 25.3             | 25.6             | 25.3             |
|                 |            | 1             | 37        | 22.8                    | 23.0             | 22.6             | 22.1             | 22.1             | 21.6             | 22.7             | 22.9             | 22.6             | 21.9             | 22.3             | 21.9             |
|                 |            | 18            | 9         | 26.7                    | 26.5             | 26.5             | 25.5             | 25.4             | 25.1             | 26.4             | 26.4             | 26.2             | 25.4             | 25.6             | 25.3             |
|                 |            | 36            | 0         | 25.6                    | 25.5             | 25.4             | 24.8             | 24.5             | 24.3             | 25.3             | 25.4             | 25.2             | 24.5             | 24.7             | 24.4             |
|                 | 16QAM      | 1             | 0         | 22.8                    | 22.8             | 22.8             | 22.1             | 22.1             | 22.0             | 22.8             | 22.6             | 22.4             | 22.1             | 21.8             | 21.9             |
|                 |            | 1             | 1         | 25.6                    | 25.5             | 25.6             | 24.9             | 24.7             | 24.4             | 25.4             | 25.3             | 25.1             | 24.6             | 25.0             | 24.7             |
|                 |            | 1             | 36        | 25.5                    | 25.6             | 25.2             | 24.7             | 24.8             | 24.4             | 25.3             | 25.4             | 25.3             | 24.5             | 24.9             | 24.7             |
|                 |            | 1             | 37        | 22.9                    | 23.3             | 22.7             | 22.3             | 22.2             | 21.8             | 22.5             | 22.8             | 22.5             | 22.1             | 22.4             | 21.9             |
|                 |            | 18            | 9         | 25.6                    | 25.6             | 25.4             | 24.8             | 24.6             | 24.3             | 25.4             | 25.4             | 25.2             | 24.6             | 24.6             | 24.4             |
|                 |            | 36            | 0         | 24.6                    | 24.5             | 24.4             | 23.7             | 23.5             | 23.2             | 24.4             | 24.4             | 24.1             | 23.5             | 23.8             | 23.5             |
|                 | 64QAM      | 1             | 0         | 22.6                    | 23.0             | 23.0             | 22.1             | 21.9             | 21.9             | 22.8             | 22.9             | 22.6             | 22.0             | 22.1             | 21.7             |
|                 |            | 1             | 1         | 24.0                    | 23.6             | 23.9             | 23.3             | 23.0             | 22.9             | 23.5             | 24.0             | 23.4             | 22.9             | 23.2             | 23.1             |
|                 |            | 1             | 36        | 24.4                    | 24.2             | 23.6             | 23.2             | 23.1             | 22.6             | 23.7             | 24.3             | 23.6             | 22.8             | 23.3             | 23.1             |
|                 |            | 1             | 37        | 23.1                    | 22.7             | 22.8             | 22.2             | 22.0             | 21.8             | 22.8             | 23.0             | 22.7             | 22.0             | 22.3             | 22.0             |
|                 |            | 18            | 9         | 24.0                    | 23.9             | 23.8             | 23.2             | 22.9             | 22.9             | 23.9             | 23.7             | 23.7             | 23.0             | 23.2             | 23.0             |
|                 |            | 36            | 0         | 24.0                    | 23.9             | 23.8             | 23.2             | 23.1             | 22.8             | 23.9             | 23.8             | 23.5             | 23.0             | 23.2             | 22.9             |
| 256QAM          | 1          | 0             | 21.9      | 21.8                    | 22.0             | 21.0             | 21.0             | 20.6             | 21.7             | 21.6             | 21.4             | 20.9             | 21.1             | 20.7             |                  |
|                 | 1          | 1             | 22.5      | 21.9                    | 22.2             | 21.1             | 21.1             | 20.6             | 22.0             | 21.9             | 21.5             | 20.6             | 21.3             | 21.0             |                  |
|                 | 1          | 36            | 22.2      | 21.9                    | 22.0             | 21.2             | 21.0             | 20.5             | 21.4             | 21.9             | 21.5             | 20.8             | 21.3             | 20.9             |                  |
|                 | 1          | 37            | 22.3      | 22.0                    | 22.1             | 21.2             | 21.1             | 20.4             | 22.0             | 21.6             | 21.8             | 20.8             | 21.4             | 20.8             |                  |
|                 | 18         | 9             | 22.0      | 21.8                    | 21.7             | 21.2             | 21.0             | 20.7             | 21.8             | 21.8             | 21.6             | 21.0             | 21.1             | 21.0             |                  |
|                 | 36         | 0             | 21.9      | 21.9                    | 21.8             | 21.1             | 21.0             | 20.7             | 21.7             | 21.7             | 21.6             | 21.0             | 21.2             | 20.8             |                  |



**OUTPUT POWER FOR 5G NR n41 (20.0 MHz)**

| Bandwidth (MHz) | Modulation | RB Allocation | RB Offset | Conducted Average (dBm) |        |        |        |        |        |        |        |        |        |        |        |
|-----------------|------------|---------------|-----------|-------------------------|--------|--------|--------|--------|--------|--------|--------|--------|--------|--------|--------|
|                 |            |               |           | ANT 2                   |        |        | ANT 0  |        |        | ANT 1  |        |        | ANT 5  |        |        |
|                 |            |               |           | 501200                  | 518600 | 536000 | 501200 | 518600 | 536000 | 501200 | 518600 | 536000 | 501200 | 518600 | 536000 |
| 20.0            | BPSK       | 1             | 0         | 23.0                    | 22.9   | 22.7   | 22.1   | 22.0   | 21.7   | 22.8   | 22.8   | 22.5   | 22.0   | 22.1   | 21.9   |
|                 |            | 1             | 1         | 26.7                    | 26.5   | 26.5   | 25.6   | 25.5   | 25.3   | 26.3   | 26.4   | 26.2   | 25.3   | 25.5   | 25.2   |
|                 |            | 1             | 49        | 26.7                    | 26.6   | 26.5   | 25.5   | 25.4   | 25.2   | 26.4   | 26.3   | 26.2   | 25.3   | 25.5   | 25.2   |
|                 |            | 1             | 50        | 23.0                    | 22.9   | 22.7   | 22.1   | 22.0   | 21.6   | 22.7   | 22.8   | 22.5   | 21.9   | 22.2   | 21.8   |
|                 |            | 25            | 12        | 26.7                    | 26.6   | 26.4   | 25.5   | 25.4   | 25.1   | 26.4   | 26.3   | 26.2   | 25.4   | 25.5   | 25.2   |
|                 | QPSK       | 50            | 0         | 26.1                    | 26.1   | 26.0   | 25.2   | 25.0   | 24.8   | 25.9   | 25.8   | 25.7   | 25.0   | 25.2   | 25.1   |
|                 |            | 1             | 0         | 23.1                    | 22.8   | 22.8   | 22.1   | 22.0   | 21.8   | 22.7   | 22.7   | 22.5   | 21.8   | 22.1   | 21.8   |
|                 |            | 1             | 1         | 26.7                    | 26.5   | 26.6   | 25.5   | 25.5   | 25.2   | 26.3   | 26.4   | 26.2   | 25.2   | 25.6   | 25.3   |
|                 |            | 1             | 49        | 26.6                    | 26.5   | 26.5   | 25.5   | 25.5   | 25.2   | 26.4   | 26.3   | 26.2   | 25.3   | 25.5   | 25.2   |
|                 |            | 1             | 50        | 22.9                    | 22.9   | 22.8   | 22.1   | 22.1   | 21.6   | 22.7   | 22.8   | 22.6   | 21.9   | 22.0   | 21.9   |
|                 | 16QAM      | 25            | 12        | 26.6                    | 26.6   | 26.4   | 25.6   | 25.4   | 25.2   | 26.4   | 26.3   | 26.2   | 25.3   | 25.5   | 25.2   |
|                 |            | 50            | 0         | 25.6                    | 25.5   | 25.4   | 24.6   | 24.6   | 24.3   | 25.4   | 25.4   | 25.1   | 24.4   | 24.7   | 24.4   |
|                 |            | 1             | 0         | 22.9                    | 22.9   | 22.9   | 22.1   | 22.1   | 21.8   | 22.8   | 22.7   | 22.9   | 21.8   | 22.3   | 21.5   |
|                 |            | 1             | 1         | 25.6                    | 25.6   | 25.3   | 24.4   | 24.6   | 24.4   | 25.4   | 25.2   | 25.1   | 24.5   | 24.7   | 24.4   |
|                 |            | 1             | 49        | 25.5                    | 25.3   | 25.4   | 25.0   | 24.5   | 24.4   | 25.3   | 25.6   | 25.1   | 24.4   | 24.5   | 24.4   |
|                 | 64QAM      | 1             | 50        | 22.9                    | 22.7   | 23.0   | 22.5   | 22.2   | 21.6   | 22.6   | 22.9   | 22.8   | 21.9   | 22.2   | 21.8   |
|                 |            | 25            | 12        | 25.6                    | 25.4   | 25.5   | 24.7   | 24.5   | 24.4   | 25.4   | 25.3   | 25.2   | 24.5   | 24.8   | 24.4   |
|                 |            | 50            | 0         | 24.5                    | 24.6   | 24.3   | 23.6   | 23.4   | 23.2   | 24.3   | 24.2   | 24.1   | 23.5   | 23.7   | 23.4   |
|                 |            | 1             | 0         | 23.2                    | 22.9   | 22.9   | 22.2   | 22.0   | 22.2   | 22.6   | 22.6   | 22.7   | 21.8   | 22.3   | 21.8   |
|                 |            | 1             | 1         | 24.0                    | 24.0   | 23.8   | 23.1   | 23.2   | 22.9   | 23.6   | 24.0   | 23.4   | 22.9   | 23.3   | 22.9   |
|                 | 256QAM     | 1             | 49        | 24.0                    | 24.0   | 23.6   | 23.0   | 23.3   | 22.8   | 23.6   | 23.9   | 23.6   | 22.8   | 23.0   | 22.7   |
|                 |            | 1             | 50        | 22.8                    | 22.8   | 22.6   | 22.1   | 22.1   | 21.8   | 22.7   | 22.8   | 22.5   | 21.9   | 22.3   | 21.8   |
|                 |            | 25            | 12        | 24.0                    | 23.9   | 23.8   | 23.1   | 23.1   | 22.7   | 23.8   | 23.8   | 23.6   | 23.0   | 23.3   | 22.9   |
|                 |            | 50            | 0         | 24.1                    | 23.9   | 23.8   | 23.2   | 23.0   | 22.7   | 23.8   | 23.7   | 23.7   | 22.9   | 23.2   | 22.9   |
|                 |            | 1             | 0         | 22.0                    | 21.9   | 21.7   | 21.4   | 20.9   | 20.9   | 21.6   | 21.7   | 21.5   | 21.1   | 21.7   | 20.8   |

**OUTPUT POWER FOR 5G NR n41 (25.0 MHz)**

| Bandwidth (MHz) | Modulation | RB Allocation | RB Offset | Conducted Average (dBm) |        |        |        |        |        |        |        |        |        |        |        |
|-----------------|------------|---------------|-----------|-------------------------|--------|--------|--------|--------|--------|--------|--------|--------|--------|--------|--------|
|                 |            |               |           | ANT 2                   |        |        | ANT 0  |        |        | ANT 1  |        |        | ANT 5  |        |        |
|                 |            |               |           | 501702                  | 518598 | 535500 | 501702 | 518598 | 535500 | 501702 | 518598 | 535500 | 501702 | 518598 | 535500 |
| 25.0            | BPSK       | 1             | 0         | 22.9                    | 22.8   | 22.6   | 22.0   | 21.9   | 21.6   | 22.7   | 22.7   | 22.4   | 21.9   | 22.0   | 21.8   |
|                 |            | 1             | 1         | 26.6                    | 26.4   | 26.4   | 25.5   | 25.4   | 25.2   | 26.2   | 26.3   | 26.1   | 25.2   | 25.4   | 25.1   |
|                 |            | 1             | 49        | 26.6                    | 26.5   | 26.4   | 25.4   | 25.3   | 25.1   | 26.3   | 26.2   | 26.1   | 25.2   | 25.4   | 25.1   |
|                 |            | 1             | 50        | 22.9                    | 22.8   | 22.6   | 22.0   | 21.9   | 21.5   | 22.6   | 22.7   | 22.4   | 21.8   | 22.1   | 21.7   |
|                 |            | 25            | 12        | 26.6                    | 26.5   | 26.3   | 25.4   | 25.3   | 25.0   | 26.3   | 26.2   | 26.1   | 25.3   | 25.4   | 25.1   |
|                 | QPSK       | 50            | 0         | 26.0                    | 26.0   | 25.9   | 25.1   | 24.9   | 24.7   | 25.8   | 25.7   | 25.6   | 24.9   | 25.1   | 25.0   |
|                 |            | 1             | 0         | 23.0                    | 22.7   | 22.7   | 22.0   | 21.9   | 21.7   | 22.6   | 22.6   | 22.4   | 21.7   | 22.0   | 21.7   |
|                 |            | 1             | 1         | 26.6                    | 26.4   | 26.5   | 25.4   | 25.4   | 25.1   | 26.2   | 26.3   | 26.1   | 25.1   | 25.5   | 25.2   |
|                 |            | 1             | 49        | 26.5                    | 26.4   | 26.4   | 25.4   | 25.4   | 25.1   | 26.3   | 26.2   | 26.1   | 25.2   | 25.4   | 25.1   |
|                 |            | 1             | 50        | 22.8                    | 22.8   | 22.7   | 22.0   | 22.0   | 21.5   | 22.6   | 22.7   | 22.5   | 21.8   | 21.9   | 21.8   |
|                 | 16QAM      | 25            | 12        | 26.5                    | 26.5   | 26.3   | 25.5   | 25.3   | 25.1   | 26.3   | 26.2   | 26.1   | 25.2   | 25.4   | 25.1   |
|                 |            | 50            | 0         | 25.5                    | 25.4   | 25.3   | 24.5   | 24.5   | 24.2   | 25.3   | 25.3   | 25.0   | 24.3   | 24.6   | 24.3   |
|                 |            | 1             | 0         | 22.8                    | 22.8   | 22.8   | 22.0   | 22.0   | 21.7   | 22.7   | 22.6   | 22.8   | 21.7   | 22.2   | 21.4   |
|                 |            | 1             | 1         | 25.5                    | 25.5   | 25.2   | 24.3   | 24.5   | 24.3   | 25.3   | 25.1   | 25.0   | 24.4   | 24.6   | 24.3   |
|                 |            | 1             | 49        | 25.4                    | 25.2   | 25.3   | 24.9   | 24.4   | 24.3   | 25.2   | 25.5   | 25.0   | 24.3   | 24.4   | 24.3   |
|                 | 64QAM      | 1             | 50        | 22.8                    | 22.6   | 22.9   | 22.4   | 22.1   | 21.5   | 22.5   | 22.8   | 22.7   | 21.8   | 22.1   | 21.7   |
|                 |            | 25            | 12        | 25.5                    | 25.3   | 25.4   | 24.6   | 24.4   | 24.3   | 25.3   | 25.2   | 25.1   | 24.4   | 24.7   | 24.3   |
|                 |            | 50            | 0         | 24.4                    | 24.5   | 24.2   | 23.5   | 23.3   | 23.1   | 24.2   | 24.1   | 24.0   | 23.4   | 23.6   | 23.3   |
|                 |            | 1             | 0         | 23.1                    | 22.8   | 22.8   | 22.1   | 21.9   | 22.1   | 22.5   | 22.5   | 22.6   | 21.7   | 22.2   | 21.7   |
|                 |            | 1             | 1         | 23.9                    | 23.9   | 23.7   | 23.0   | 23.1   | 22.8   | 23.5   | 23.9   | 23.3   | 22.8   | 23.2   | 22.8   |
|                 | 256QAM     | 1             | 49        | 23.9                    | 23.9   | 23.5   | 22.9   | 23.2   | 22.7   | 23.5   | 23.8   | 23.5   | 22.7   | 22.9   | 22.6   |
|                 |            | 1             | 50        | 22.7                    | 22.7   | 22.5   | 22.0   | 22.0   | 21.7   | 22.6   | 22.7   | 22.4   | 21.8   | 22.2   | 21.7   |
|                 |            | 25            | 12        | 23.9                    | 23.8   | 23.7   | 23.0   | 23.0   | 22.6   | 23.7   | 23.7   | 23.5   | 22.9   | 23.2   | 22.8   |
|                 |            | 50            | 0         | 24.0                    | 23.8   | 23.7   | 23.1   | 22.9   | 22.6   | 23.7   | 23.6   | 23.6   | 22.8   | 23.1   | 22.8   |
|                 |            | 1             | 0         | 21.9                    | 21.8   | 21.6   | 21.3   | 20.8   | 20.8   | 21.5   | 21.6   | 21.4   | 21.0   | 21.6   | 20.7   |

**OUTPUT POWER FOR 5G NR n41 (30.0 MHz)**

| Bandwidth (MHz) | Modulation | RB Allocation | RB Offset | Conducted Average (dBm) |             |             |             |             |        |             |             |        |        |             |        |
|-----------------|------------|---------------|-----------|-------------------------|-------------|-------------|-------------|-------------|--------|-------------|-------------|--------|--------|-------------|--------|
|                 |            |               |           | ANT 2                   |             |             | ANT 0       |             |        | ANT 1       |             |        | ANT 5  |             |        |
|                 |            |               |           | 502200                  | 518600      | 525000      | 502200      | 518600      | 525000 | 502200      | 518600      | 525000 | 502200 | 518600      | 525000 |
| 30.0            | BPSK       | 1             | 0         | 22.9                    | 22.9        | 22.8        | 22.1        | 21.9        | 21.8   | 22.6        | 22.9        | 22.6   | 22.0   | 22.0        | 21.8   |
|                 |            | 1             | 1         | <b>26.6</b>             | 26.5        | 26.5        | <b>25.6</b> | 25.5        | 25.3   | 26.2        | <b>26.5</b> | 26.1   | 25.4   | 25.5        | 25.2   |
|                 |            | 1             | 76        | 26.5                    | 26.5        | 26.5        | 25.5        | 25.5        | 25.0   | 26.4        | <b>26.5</b> | 26.1   | 25.3   | <b>25.6</b> | 25.2   |
|                 |            | 1             | 77        | 22.8                    | 22.9        | 22.7        | 21.9        | 21.9        | 21.6   | 22.7        | 22.7        | 22.5   | 21.9   | 22.2        | 21.8   |
|                 |            | 36            | 18        | 26.6                    | 26.6        | 26.5        | 25.4        | 25.4        | 25.1   | 26.4        | 26.4        | 26.2   | 25.3   | 25.6        | 25.2   |
|                 |            | 75            | 0         | 26.1                    | 26.0        | 26.0        | 25.2        | 25.0        | 24.9   | 25.8        | 25.9        | 25.7   | 25.0   | 25.1        | 24.8   |
|                 | QPSK       | 1             | 0         | 23.0                    | 22.8        | 22.8        | 22.1        | 22.0        | 21.7   | 22.7        | 22.8        | 22.5   | 21.9   | 22.1        | 21.7   |
|                 |            | 1             | 1         | <b>26.6</b>             | 26.5        | 26.4        | <b>25.6</b> | 25.5        | 25.2   | 26.3        | <b>26.4</b> | 26.2   | 25.4   | 25.5        | 25.1   |
|                 |            | 1             | 76        | 26.6                    | 26.5        | 26.4        | 25.5        | 25.5        | 25.1   | 26.4        | 26.3        | 26.2   | 25.4   | <b>25.6</b> | 25.2   |
|                 |            | 1             | 77        | 22.9                    | 23.0        | 22.8        | 22.0        | 22.0        | 21.6   | 22.8        | 22.6        | 22.5   | 21.8   | 22.2        | 21.8   |
|                 |            | 36            | 18        | 26.6                    | 26.6        | 26.5        | 25.5        | 25.5        | 25.2   | 26.4        | 26.3        | 26.2   | 25.4   | 25.5        | 25.3   |
|                 |            | 75            | 0         | 25.5                    | 25.5        | 25.4        | 24.6        | 24.5        | 24.3   | 25.4        | 25.3        | 25.2   | 24.6   | 24.7        | 24.4   |
|                 | 16QAM      | 1             | 0         | 22.9                    | 22.7        | 22.7        | 22.6        | 21.8        | 21.6   | 22.6        | 22.8        | 22.4   | 21.8   | 22.1        | 21.7   |
|                 |            | 1             | 1         | 25.5                    | 25.5        | <b>25.7</b> | 24.8        | <b>24.9</b> | 24.5   | <b>25.6</b> | 25.4        | 25.0   | 24.5   | 24.3        | 24.4   |
|                 |            | 1             | 76        | 25.6                    | 25.5        | 25.4        | 24.9        | 24.8        | 24.3   | 25.4        | 25.3        | 25.2   | 24.6   | <b>25.0</b> | 24.4   |
|                 |            | 1             | 77        | 22.9                    | 22.8        | 23.3        | 22.1        | 22.3        | 21.6   | 22.7        | 22.9        | 22.5   | 22.0   | 22.3        | 21.8   |
|                 |            | 36            | 18        | 25.6                    | 25.5        | 25.4        | 24.7        | 24.6        | 24.4   | 25.3        | 25.3        | 25.1   | 24.6   | 24.8        | 24.5   |
|                 |            | 75            | 0         | 24.5                    | 24.6        | 24.3        | 23.7        | 23.5        | 23.3   | 24.3        | 24.3        | 24.1   | 23.4   | 23.7        | 23.4   |
|                 | 64QAM      | 1             | 0         | 22.8                    | 23.0        | 22.8        | 21.9        | 21.8        | 21.7   | 22.9        | 22.5        | 22.6   | 22.1   | 22.2        | 22.2   |
|                 |            | 1             | 1         | 24.0                    | <b>24.1</b> | 23.9        | 23.0        | 23.0        | 22.8   | 23.5        | 23.9        | 23.3   | 23.1   | <b>23.2</b> | 22.8   |
|                 |            | 1             | 76        | <b>24.1</b>             | <b>24.1</b> | 23.9        | <b>23.2</b> | 23.1        | 23.0   | 23.5        | <b>24.1</b> | 23.4   | 22.8   | 23.1        | 23.1   |
|                 |            | 1             | 77        | 22.8                    | 23.2        | 23.0        | 21.9        | 22.2        | 21.7   | 23.0        | 23.0        | 22.7   | 22.1   | 22.2        | 22.2   |
|                 |            | 36            | 18        | 24.0                    | 23.9        | 23.9        | 23.1        | 23.1        | 22.8   | 23.9        | 23.8        | 23.6   | 23.1   | 23.1        | 22.9   |
|                 |            | 75            | 0         | 24.0                    | 23.9        | 23.8        | 23.1        | 23.1        | 22.8   | 23.8        | 23.8        | 23.7   | 22.9   | <b>23.2</b> | 22.8   |
|                 | 256QAM     | 1             | 0         | 21.9                    | 21.8        | <b>22.4</b> | <b>21.3</b> | 20.9        | 20.9   | 21.7        | 21.6        | 21.5   | 20.9   | 21.2        | 20.8   |
|                 |            | 1             | 1         | 22.2                    | 21.8        | 21.8        | 21.2        | 21.1        | 20.6   | <b>22.0</b> | 21.6        | 21.5   | 20.7   | 21.1        | 20.8   |
|                 |            | 1             | 76        | 21.7                    | 21.8        | 22.3        | 21.2        | 21.2        | 20.8   | 21.5        | 21.8        | 21.2   | 20.6   | 21.2        | 20.8   |
|                 |            | 1             | 77        | 22.0                    | 21.9        | 22.0        | 21.1        | 21.0        | 20.6   | 21.5        | 21.6        | 21.8   | 20.7   | <b>21.2</b> | 20.9   |
|                 |            | 36            | 18        | 21.9                    | 21.9        | 21.7        | 21.1        | 21.0        | 20.7   | 21.7        | 21.9        | 21.5   | 20.8   | 21.1        | 20.9   |
|                 |            | 75            | 0         | 21.8                    | 21.9        | 21.7        | 21.1        | 21.0        | 20.7   | 21.7        | 21.8        | 21.5   | 21.0   | 21.2        | 20.8   |

**OUTPUT POWER FOR 5G NR n41 (40.0 MHz)**

| Bandwidth (MHz) | Modulation | RB Allocation | RB Offset | Conducted Average (dBm) |        |        |        |        |        |        |        |        |        |        |        |
|-----------------|------------|---------------|-----------|-------------------------|--------|--------|--------|--------|--------|--------|--------|--------|--------|--------|--------|
|                 |            |               |           | ANT 2                   |        |        | ANT 0  |        |        | ANT 1  |        |        | ANT 5  |        |        |
|                 |            |               |           | 503200                  | 518600 | 534000 | 503200 | 518600 | 534000 | 503200 | 518600 | 534000 | 503200 | 518600 | 534000 |
| 40.0            | BPSK       | 1             | 0         | 23.0                    | 22.9   | 22.9   | 22.1   | 22.0   | 21.9   | 22.7   | 22.7   | 22.5   | 21.8   | 22.1   | 21.9   |
|                 |            | 1             | 1         | 26.7                    | 26.6   | 26.5   | 25.6   | 25.4   | 25.3   | 26.3   | 26.4   | 26.2   | 25.3   | 25.4   | 25.2   |
|                 |            | 1             | 104       | 26.6                    | 26.7   | 26.5   | 25.5   | 25.4   | 25.1   | 26.4   | 26.3   | 26.2   | 25.2   | 25.5   | 25.3   |
|                 |            | 1             | 105       | 22.9                    | 22.9   | 22.8   | 22.1   | 22.0   | 21.6   | 22.8   | 22.7   | 22.6   | 21.9   | 22.1   | 21.9   |
|                 |            | 50            | 25        | 26.6                    | 26.6   | 26.6   | 25.5   | 25.5   | 25.2   | 26.4   | 26.4   | 26.2   | 25.3   | 25.6   | 25.3   |
|                 | 100        | 0             | 26.0      | 26.1                    | 26.0   | 25.2   | 25.1   | 25.0   | 25.9   | 25.9   | 25.6   | 24.9   | 25.2   | 24.9   |        |
|                 | QPSK       | 1             | 0         | 23.0                    | 22.9   | 22.8   | 22.1   | 22.0   | 21.9   | 22.7   | 22.8   | 22.6   | 21.9   | 22.0   | 21.8   |
|                 |            | 1             | 1         | 26.7                    | 26.5   | 26.6   | 25.5   | 25.4   | 25.3   | 26.2   | 26.3   | 26.1   | 25.3   | 25.5   | 25.3   |
|                 |            | 1             | 104       | 26.5                    | 26.7   | 26.4   | 25.4   | 25.5   | 25.2   | 26.3   | 26.3   | 26.2   | 25.2   | 25.6   | 25.2   |
|                 |            | 1             | 105       | 22.9                    | 22.9   | 22.8   | 22.1   | 22.1   | 21.7   | 22.8   | 22.6   | 22.6   | 21.9   | 22.1   | 21.8   |
|                 |            | 50            | 25        | 26.7                    | 26.6   | 26.5   | 25.5   | 25.4   | 25.2   | 26.5   | 26.4   | 26.3   | 25.3   | 25.5   | 25.3   |
|                 | 16QAM      | 100           | 0         | 25.5                    | 25.6   | 25.4   | 24.7   | 24.6   | 24.4   | 25.4   | 25.3   | 25.2   | 24.4   | 24.7   | 24.4   |
|                 |            | 1             | 0         | 23.0                    | 23.1   | 22.6   | 22.0   | 21.9   | 22.2   | 22.6   | 22.6   | 22.8   | 21.9   | 22.2   | 21.7   |
|                 |            | 1             | 1         | 25.6                    | 25.6   | 25.2   | 25.0   | 24.6   | 24.5   | 25.4   | 25.5   | 25.2   | 24.3   | 24.7   | 24.0   |
|                 |            | 1             | 104       | 25.6                    | 25.7   | 25.2   | 24.8   | 24.7   | 24.5   | 25.4   | 25.3   | 25.3   | 24.3   | 24.5   | 24.0   |
|                 |            | 1             | 105       | 22.8                    | 22.7   | 22.5   | 22.0   | 22.0   | 21.8   | 22.8   | 22.5   | 22.5   | 21.7   | 22.2   | 21.8   |
|                 | 64QAM      | 50            | 25        | 25.6                    | 25.5   | 25.4   | 24.7   | 24.6   | 24.4   | 25.4   | 25.3   | 25.2   | 24.4   | 24.7   | 24.4   |
|                 |            | 100           | 0         | 24.6                    | 24.4   | 24.5   | 23.7   | 23.6   | 23.4   | 24.3   | 24.4   | 24.1   | 23.5   | 23.7   | 23.4   |
|                 |            | 1             | 0         | 22.7                    | 22.8   | 23.1   | 22.2   | 22.5   | 21.8   | 23.1   | 23.0   | 22.6   | 21.8   | 22.1   | 21.7   |
|                 |            | 1             | 1         | 24.0                    | 24.0   | 24.0   | 23.4   | 23.1   | 23.1   | 23.9   | 24.0   | 23.4   | 22.7   | 22.8   | 22.7   |
|                 |            | 1             | 104       | 23.8                    | 24.0   | 24.0   | 23.2   | 23.2   | 22.6   | 23.7   | 23.8   | 23.7   | 22.7   | 22.8   | 22.7   |
|                 | 256QAM     | 1             | 105       | 22.9                    | 22.9   | 22.9   | 21.9   | 22.6   | 21.6   | 22.8   | 22.5   | 22.7   | 21.9   | 22.0   | 21.8   |
|                 |            | 50            | 25        | 24.0                    | 24.1   | 24.0   | 23.2   | 23.0   | 22.9   | 23.7   | 23.8   | 23.7   | 22.9   | 23.2   | 22.9   |
|                 |            | 100           | 0         | 24.1                    | 24.0   | 23.9   | 23.2   | 23.0   | 22.9   | 23.7   | 23.9   | 23.7   | 22.9   | 23.2   | 22.9   |
|                 |            | 1             | 0         | 22.1                    | 22.1   | 21.8   | 21.0   | 20.9   | 20.6   | 21.9   | 21.7   | 21.6   | 20.7   | 20.7   | 20.6   |
|                 |            | 1             | 1         | 22.0                    | 21.9   | 21.8   | 21.1   | 21.3   | 20.8   | 21.8   | 21.7   | 21.7   | 21.0   | 20.7   | 20.7   |
|                 | 256QAM     | 1             | 104       | 22.0                    | 22.1   | 21.8   | 21.1   | 21.2   | 20.4   | 21.7   | 21.5   | 21.4   | 21.0   | 21.0   | 20.9   |
|                 |            | 1             | 105       | 22.0                    | 22.3   | 21.7   | 21.2   | 21.1   | 20.4   | 21.8   | 21.8   | 21.3   | 20.8   | 20.7   | 20.9   |
|                 |            | 50            | 25        | 21.9                    | 22.0   | 21.9   | 21.1   | 21.0   | 20.7   | 21.7   | 21.8   | 21.6   | 20.8   | 21.1   | 20.8   |
|                 |            | 100           | 0         | 22.0                    | 21.9   | 21.8   | 21.1   | 21.0   | 20.8   | 21.8   | 21.8   | 21.6   | 20.9   | 21.1   | 20.9   |

**OUTPUT POWER FOR 5G NR n41 (50.0 MHz)**

| Bandwidth (MHz) | Modulation | RB Allocation | RB Offset | Conducted Average (dBm) |        |        |        |        |        |        |        |        |        |        |        |
|-----------------|------------|---------------|-----------|-------------------------|--------|--------|--------|--------|--------|--------|--------|--------|--------|--------|--------|
|                 |            |               |           | ANT 2                   |        |        | ANT 0  |        |        | ANT 1  |        |        | ANT 5  |        |        |
|                 |            |               |           | 504200                  | 518600 | 533000 | 504200 | 518600 | 533000 | 504200 | 518600 | 533000 | 504200 | 518600 | 533000 |
| 50.0            | BPSK       | 1             | 0         | 23.0                    | 23.0   | 23.0   | 22.2   | 22.0   | 21.8   | 22.7   | 22.9   | 22.7   | 21.9   | 22.2   | 22.0   |
|                 |            | 1             | 1         | 26.6                    | 26.6   | 26.5   | 25.5   | 25.4   | 25.2   | 26.3   | 26.5   | 26.3   | 25.3   | 25.6   | 25.3   |
|                 |            | 1             | 131       | 26.6                    | 26.7   | 26.4   | 25.6   | 25.4   | 25.1   | 26.5   | 26.4   | 26.2   | 25.5   | 25.5   | 25.3   |
|                 |            | 1             | 132       | 22.9                    | 22.9   | 22.7   | 22.1   | 22.0   | 21.7   | 23.0   | 22.7   | 22.6   | 22.0   | 22.1   | 22.0   |
|                 |            | 64            | 32        | 26.6                    | 26.5   | 26.5   | 25.5   | 25.3   | 25.2   | 26.5   | 26.4   | 26.2   | 25.3   | 25.5   | 25.3   |
|                 | QPSK       | 128           | 0         | 26.1                    | 26.0   | 26.0   | 25.1   | 25.1   | 24.9   | 25.9   | 25.9   | 25.6   | 25.1   | 25.2   | 24.9   |
|                 |            | 1             | 0         | 22.9                    | 22.9   | 22.8   | 22.2   | 22.0   | 21.9   | 22.7   | 22.8   | 22.7   | 22.0   | 22.1   | 21.9   |
|                 |            | 1             | 1         | 26.7                    | 26.6   | 26.5   | 25.5   | 25.4   | 25.5   | 26.4   | 26.5   | 26.3   | 25.3   | 25.5   | 25.4   |
|                 |            | 1             | 131       | 26.7                    | 26.7   | 26.5   | 25.5   | 25.5   | 25.2   | 26.7   | 26.4   | 26.2   | 25.5   | 25.5   | 25.3   |
|                 |            | 1             | 132       | 23.0                    | 22.9   | 22.9   | 22.1   | 21.9   | 21.7   | 22.9   | 22.7   | 22.6   | 22.1   | 22.2   | 21.9   |
|                 | 16QAM      | 64            | 32        | 26.5                    | 26.5   | 26.5   | 25.4   | 25.4   | 25.2   | 26.4   | 26.4   | 26.2   | 25.3   | 25.5   | 25.3   |
|                 |            | 128           | 0         | 25.6                    | 25.5   | 25.5   | 24.8   | 24.5   | 24.5   | 25.4   | 25.4   | 25.2   | 24.6   | 24.7   | 24.4   |
|                 |            | 1             | 0         | 23.0                    | 22.8   | 22.8   | 22.2   | 21.8   | 22.0   | 22.7   | 22.8   | 22.8   | 22.0   | 22.0   | 22.1   |
|                 |            | 1             | 1         | 25.6                    | 25.7   | 25.3   | 24.9   | 24.7   | 24.6   | 25.3   | 25.3   | 25.4   | 24.4   | 24.8   | 24.6   |
|                 |            | 1             | 131       | 25.7                    | 25.9   | 25.2   | 25.0   | 24.6   | 24.5   | 25.4   | 25.3   | 25.1   | 24.6   | 24.7   | 24.4   |
|                 | 64QAM      | 1             | 132       | 23.0                    | 23.2   | 22.4   | 22.1   | 22.1   | 21.7   | 22.8   | 22.5   | 22.7   | 21.9   | 21.7   | 21.8   |
|                 |            | 64            | 32        | 25.6                    | 25.5   | 25.5   | 24.6   | 24.6   | 24.5   | 25.5   | 25.3   | 25.2   | 24.6   | 24.7   | 24.4   |
|                 |            | 128           | 0         | 24.6                    | 24.5   | 24.4   | 23.7   | 23.6   | 23.4   | 24.4   | 24.3   | 24.2   | 23.6   | 23.7   | 23.5   |
|                 |            | 1             | 0         | 23.2                    | 22.8   | 22.6   | 22.2   | 22.1   | 22.0   | 23.0   | 23.0   | 22.4   | 22.2   | 22.2   | 22.3   |
|                 |            | 1             | 1         | 24.3                    | 23.9   | 24.1   | 23.5   | 23.2   | 23.1   | 23.9   | 24.0   | 23.8   | 22.9   | 23.4   | 23.3   |
|                 | 256QAM     | 1             | 131       | 23.8                    | 24.2   | 24.2   | 23.4   | 22.9   | 22.9   | 23.9   | 23.7   | 23.3   | 23.0   | 23.4   | 23.1   |
|                 |            | 1             | 132       | 23.2                    | 23.2   | 22.9   | 22.4   | 22.0   | 21.8   | 22.9   | 22.9   | 22.6   | 21.9   | 22.1   | 21.8   |
|                 |            | 64            | 32        | 24.1                    | 23.9   | 23.9   | 23.1   | 23.1   | 22.8   | 23.9   | 23.8   | 23.6   | 22.9   | 23.2   | 22.9   |
|                 |            | 128           | 0         | 24.0                    | 24.0   | 23.9   | 23.2   | 23.1   | 22.9   | 23.9   | 23.9   | 23.7   | 23.0   | 23.2   | 22.9   |
|                 |            | 1             | 0         | 21.8                    | 21.9   | 21.8   | 21.2   | 21.2   | 21.3   | 21.7   | 22.0   | 21.7   | 21.2   | 21.0   | 21.0   |
|                 | 256QAM     | 1             | 1         | 21.8                    | 21.9   | 21.9   | 21.1   | 21.0   | 21.0   | 21.5   | 21.8   | 22.2   | 21.3   | 21.1   | 20.7   |
|                 |            | 1             | 131       | 22.0                    | 22.0   | 21.9   | 21.2   | 21.0   | 20.7   | 21.6   | 21.6   | 21.5   | 21.4   | 21.1   | 20.9   |
|                 |            | 1             | 132       | 22.2                    | 22.0   | 22.1   | 21.0   | 21.0   | 21.1   | 21.9   | 21.7   | 21.5   | 21.0   | 21.1   | 20.7   |
|                 |            | 64            | 32        | 22.0                    | 21.9   | 21.8   | 21.1   | 20.9   | 20.8   | 21.7   | 21.8   | 21.5   | 20.9   | 21.2   | 20.8   |
|                 |            | 128           | 0         | 21.9                    | 21.9   | 21.8   | 21.0   | 21.0   | 20.8   | 21.8   | 21.7   | 21.6   | 21.0   | 21.2   | 20.9   |

**OUTPUT POWER FOR 5G NR n41 (60.0 MHz)**

| Bandwidth (MHz) | Modulation | RB Allocation | RB Offset | Conducted Average (dBm) |        |        |        |        |        |        |        |        |        |        |        |
|-----------------|------------|---------------|-----------|-------------------------|--------|--------|--------|--------|--------|--------|--------|--------|--------|--------|--------|
|                 |            |               |           | ANT 2                   |        |        | ANT 0  |        |        | ANT 1  |        |        | ANT 5  |        |        |
|                 |            |               |           | 505200                  | 518600 | 532000 | 505200 | 518600 | 532000 | 505200 | 518600 | 532000 | 505200 | 518600 | 532000 |
| 60.0            | BPSK       | 1             | 0         | 22.9                    | 22.8   | 23.0   | 22.2   | 22.0   | 22.0   | 22.7   | 22.8   | 22.7   | 22.9   | 23.0   | 22.8   |
|                 |            | 1             | 1         | 26.5                    | 26.5   | 26.6   | 25.5   | 25.4   | 25.5   | 26.3   | 26.4   | 26.3   | 26.5   | 26.8   | 26.6   |
|                 |            | 1             | 160       | 26.5                    | 26.6   | 26.5   | 25.5   | 25.4   | 25.1   | 26.4   | 26.3   | 26.1   | 26.7   | 26.6   | 26.4   |
|                 |            | 1             | 161       | 22.8                    | 23.0   | 22.8   | 22.0   | 22.0   | 21.6   | 22.8   | 22.8   | 22.4   | 22.9   | 23.0   | 22.7   |
|                 |            | 81            | 40        | 26.5                    | 26.5   | 26.5   | 25.4   | 25.5   | 25.3   | 26.3   | 26.5   | 26.2   | 26.6   | 26.7   | 26.4   |
|                 |            | 162           | 0         | 26.0                    | 26.0   | 26.0   | 25.1   | 25.1   | 24.9   | 25.9   | 25.9   | 25.6   | 26.0   | 26.1   | 25.8   |
|                 | QPSK       | 1             | 0         | 23.0                    | 22.8   | 22.9   | 22.1   | 21.9   | 21.9   | 22.6   | 22.9   | 22.7   | 22.9   | 23.1   | 22.8   |
|                 |            | 1             | 1         | 26.6                    | 26.5   | 26.6   | 25.6   | 25.4   | 25.4   | 26.2   | 26.4   | 26.4   | 26.6   | 26.7   | 26.5   |
|                 |            | 1             | 160       | 26.6                    | 26.7   | 26.5   | 25.5   | 25.4   | 25.2   | 26.4   | 26.3   | 26.2   | 26.6   | 26.6   | 26.5   |
|                 |            | 1             | 161       | 22.8                    | 22.9   | 22.7   | 22.0   | 22.0   | 21.7   | 23.0   | 22.7   | 22.5   | 23.0   | 22.9   | 22.8   |
|                 |            | 81            | 40        | 26.5                    | 26.5   | 26.6   | 25.4   | 25.4   | 25.3   | 26.4   | 26.4   | 26.3   | 26.6   | 26.7   | 26.4   |
|                 |            | 162           | 0         | 25.5                    | 25.5   | 25.5   | 24.7   | 24.6   | 24.5   | 25.3   | 25.3   | 25.2   | 25.5   | 25.6   | 25.3   |
|                 | 16QAM      | 1             | 0         | 22.8                    | 22.9   | 23.4   | 22.1   | 21.6   | 21.8   | 23.0   | 22.9   | 22.7   | 23.3   | 23.2   | 22.9   |
|                 |            | 1             | 1         | 25.4                    | 25.5   | 25.6   | 24.5   | 24.4   | 24.6   | 25.5   | 25.5   | 25.2   | 25.6   | 25.8   | 25.6   |
|                 |            | 1             | 160       | 25.6                    | 25.6   | 25.6   | 24.4   | 24.6   | 24.2   | 25.6   | 25.4   | 25.0   | 25.7   | 25.6   | 25.4   |
|                 |            | 1             | 161       | 22.8                    | 23.2   | 22.9   | 21.9   | 21.9   | 21.7   | 23.2   | 22.9   | 22.5   | 23.2   | 23.2   | 22.9   |
|                 |            | 81            | 40        | 25.6                    | 25.6   | 25.5   | 24.6   | 24.6   | 24.5   | 25.3   | 25.4   | 25.3   | 25.5   | 25.5   | 25.4   |
|                 |            | 162           | 0         | 24.4                    | 24.4   | 24.5   | 23.6   | 23.5   | 23.4   | 24.4   | 24.3   | 24.2   | 24.6   | 24.6   | 24.4   |
|                 | 64QAM      | 1             | 0         | 22.7                    | 22.9   | 23.0   | 22.2   | 22.0   | 21.8   | 22.8   | 22.7   | 22.6   | 22.8   | 23.2   | 23.0   |
|                 |            | 1             | 1         | 24.1                    | 23.9   | 23.9   | 23.2   | 23.2   | 22.9   | 23.5   | 23.8   | 23.5   | 24.0   | 24.3   | 23.9   |
|                 |            | 1             | 160       | 24.1                    | 24.2   | 24.0   | 23.1   | 23.0   | 22.6   | 23.8   | 23.8   | 23.8   | 24.0   | 23.9   | 23.9   |
|                 |            | 1             | 161       | 22.9                    | 23.0   | 22.9   | 22.2   | 22.0   | 21.9   | 22.9   | 22.6   | 22.6   | 22.8   | 23.0   | 22.7   |
|                 |            | 81            | 40        | 23.9                    | 24.0   | 23.9   | 23.0   | 23.1   | 22.8   | 23.8   | 23.7   | 23.7   | 23.9   | 24.1   | 23.8   |
|                 |            | 162           | 0         | 23.9                    | 24.0   | 24.0   | 23.0   | 23.0   | 22.9   | 23.7   | 23.9   | 23.5   | 23.9   | 24.1   | 23.8   |
|                 | 256QAM     | 1             | 0         | 22.0                    | 21.8   | 21.9   | 21.1   | 20.9   | 21.1   | 21.6   | 21.6   | 22.0   | 21.9   | 22.1   | 22.0   |
|                 |            | 1             | 1         | 22.1                    | 22.0   | 21.8   | 21.1   | 20.9   | 21.0   | 21.7   | 21.9   | 21.6   | 21.9   | 22.1   | 21.9   |
|                 |            | 1             | 160       | 22.2                    | 22.1   | 21.6   | 20.9   | 20.9   | 20.7   | 21.6   | 21.6   | 21.3   | 22.0   | 21.9   | 21.8   |
|                 |            | 1             | 161       | 21.8                    | 22.3   | 21.4   | 21.1   | 21.0   | 20.7   | 21.9   | 21.9   | 21.7   | 22.0   | 22.1   | 21.8   |
|                 |            | 81            | 40        | 21.8                    | 21.9   | 21.8   | 21.1   | 21.0   | 20.8   | 21.7   | 21.8   | 21.5   | 21.9   | 22.0   | 21.8   |
|                 |            | 162           | 0         | 21.8                    | 21.8   | 21.9   | 21.0   | 20.9   | 20.8   | 21.7   | 21.7   | 21.6   | 21.9   | 22.0   | 21.7   |

**OUTPUT POWER FOR 5G NR n41 (70.0 MHz)**

| Bandwidth (MHz) | Modulation | RB Allocation | RB Offset | Conducted Average (dBm) |        |        |        |        |        |        |        |        |        |        |        |
|-----------------|------------|---------------|-----------|-------------------------|--------|--------|--------|--------|--------|--------|--------|--------|--------|--------|--------|
|                 |            |               |           | ANT 2                   |        |        | ANT 0  |        |        | ANT 1  |        |        | ANT 5  |        |        |
|                 |            |               |           | 506200                  | 518600 | 531000 | 506200 | 518600 | 531000 | 506200 | 518600 | 531000 | 506200 | 518600 | 531000 |
| 70.0            | BPSK       | 1             | 0         | 23.0                    | 22.9   | 22.9   | 22.2   | 22.1   | 22.1   | 22.7   | 22.9   | 22.7   | 22.9   | 23.1   | 23.0   |
|                 |            | 1             | 1         | 26.6                    | 26.6   | 26.6   | 25.6   | 25.5   | 25.5   | 26.3   | 26.6   | 26.4   | 26.6   | 26.8   | 26.6   |
|                 |            | 1             | 187       | 26.7                    | 26.7   | 26.5   | 25.6   | 25.7   | 25.1   | 26.5   | 26.4   | 26.2   | 26.8   | 26.6   | 26.5   |
|                 |            | 1             | 188       | 23.0                    | 23.1   | 22.8   | 22.1   | 22.1   | 21.7   | 22.7   | 22.8   | 22.6   | 23.1   | 22.9   | 22.8   |
|                 |            | 90            | 45        | 26.5                    | 26.6   | 26.5   | 25.5   | 25.4   | 25.3   | 26.4   | 26.5   | 26.2   | 26.6   | 26.7   | 26.3   |
|                 |            | 180           | 0         | 26.1                    | 26.0   | 26.1   | 24.6   | 24.6   | 24.5   | 25.9   | 25.9   | 25.7   | 26.1   | 26.2   | 25.8   |
|                 | QPSK       | 1             | 0         | 23.0                    | 23.0   | 23.0   | 22.2   | 22.0   | 22.0   | 22.6   | 23.0   | 22.8   | 22.9   | 23.3   | 23.0   |
|                 |            | 1             | 1         | 26.7                    | 26.6   | 26.8   | 25.5   | 25.5   | 25.4   | 26.4   | 26.6   | 26.4   | 26.8   | 26.8   | 26.6   |
|                 |            | 1             | 187       | 26.7                    | 26.7   | 26.6   | 25.4   | 25.5   | 25.1   | 26.6   | 26.4   | 26.3   | 26.8   | 26.6   | 26.5   |
|                 |            | 1             | 188       | 22.9                    | 23.1   | 22.8   | 22.0   | 22.1   | 21.6   | 22.8   | 22.8   | 22.5   | 23.2   | 23.0   | 22.8   |
|                 |            | 90            | 45        | 26.6                    | 26.6   | 26.6   | 25.5   | 25.4   | 25.3   | 26.4   | 26.4   | 26.1   | 26.6   | 26.7   | 26.5   |
|                 |            | 180           | 0         | 25.5                    | 25.6   | 25.5   | 25.1   | 25.0   | 25.1   | 25.4   | 25.4   | 25.2   | 25.6   | 25.7   | 25.4   |
|                 | 16QAM      | 1             | 0         | 22.9                    | 22.9   | 23.2   | 21.8   | 22.1   | 22.3   | 22.7   | 23.0   | 22.8   | 23.0   | 23.1   | 23.0   |
|                 |            | 1             | 1         | 25.4                    | 25.6   | 25.6   | 24.9   | 24.8   | 24.9   | 25.4   | 25.4   | 25.4   | 25.7   | 25.6   | 25.6   |
|                 |            | 1             | 187       | 25.5                    | 25.8   | 25.7   | 24.5   | 24.7   | 24.5   | 25.7   | 25.2   | 25.0   | 25.8   | 25.5   | 25.4   |
|                 |            | 1             | 188       | 22.8                    | 23.0   | 23.0   | 21.6   | 22.1   | 21.9   | 22.9   | 22.8   | 22.6   | 23.1   | 22.9   | 22.8   |
|                 |            | 90            | 45        | 25.6                    | 25.6   | 25.5   | 24.6   | 24.6   | 24.5   | 25.3   | 25.4   | 25.2   | 25.5   | 25.6   | 25.3   |
|                 |            | 180           | 0         | 24.5                    | 24.6   | 24.5   | 23.6   | 23.6   | 23.4   | 24.3   | 24.4   | 24.1   | 24.6   | 24.6   | 24.3   |
|                 | 64QAM      | 1             | 0         | 22.9                    | 22.6   | 22.9   | 22.0   | 21.9   | 22.3   | 22.6   | 23.0   | 23.0   | 23.0   | 23.4   | 22.9   |
|                 |            | 1             | 1         | 23.9                    | 23.9   | 24.0   | 23.2   | 23.3   | 23.2   | 23.7   | 24.1   | 23.9   | 24.0   | 24.4   | 24.4   |
|                 |            | 1             | 187       | 23.9                    | 23.9   | 23.9   | 23.2   | 23.4   | 22.9   | 23.9   | 23.9   | 23.8   | 24.3   | 24.1   | 23.8   |
|                 |            | 1             | 188       | 22.9                    | 23.0   | 22.9   | 22.1   | 22.2   | 21.8   | 22.7   | 22.9   | 22.9   | 23.2   | 23.1   | 22.7   |
|                 |            | 90            | 45        | 23.9                    | 23.9   | 23.9   | 23.0   | 23.0   | 22.9   | 23.7   | 23.9   | 23.7   | 24.0   | 24.1   | 23.8   |
|                 |            | 180           | 0         | 24.0                    | 24.0   | 24.0   | 23.1   | 23.0   | 22.9   | 23.8   | 23.9   | 23.6   | 24.0   | 24.2   | 23.8   |
|                 | 256QAM     | 1             | 0         | 22.2                    | 21.7   | 21.8   | 21.6   | 21.2   | 21.4   | 22.0   | 22.0   | 21.8   | 22.1   | 22.2   | 21.9   |
|                 |            | 1             | 1         | 21.9                    | 21.6   | 22.4   | 21.1   | 21.2   | 21.1   | 21.6   | 22.0   | 21.8   | 22.2   | 22.2   | 22.0   |
|                 |            | 1             | 187       | 21.7                    | 21.8   | 21.6   | 21.1   | 21.3   | 20.8   | 21.8   | 22.0   | 21.2   | 22.3   | 22.1   | 21.7   |
|                 |            | 1             | 188       | 21.8                    | 21.8   | 22.1   | 21.4   | 21.1   | 20.8   | 22.0   | 22.0   | 21.6   | 22.3   | 22.0   | 21.7   |
|                 |            | 90            | 45        | 21.9                    | 21.8   | 21.8   | 21.0   | 20.9   | 20.9   | 21.8   | 21.8   | 21.6   | 21.9   | 22.0   | 21.7   |
|                 |            | 180           | 0         | 21.9                    | 21.9   | 21.9   | 21.0   | 20.9   | 20.8   | 21.7   | 21.8   | 21.6   | 22.0   | 22.0   | 21.7   |

**OUTPUT POWER FOR 5G NR n41 (80.0 MHz)**

| Bandwidth (MHz) | Modulation | RB Allocation | RB Offset | Conducted Average (dBm) |        |        |        |        |        |        |        |        |        |        |        |
|-----------------|------------|---------------|-----------|-------------------------|--------|--------|--------|--------|--------|--------|--------|--------|--------|--------|--------|
|                 |            |               |           | ANT 2                   |        |        | ANT 0  |        |        | ANT 1  |        |        | ANT 5  |        |        |
|                 |            |               |           | 507200                  | 518600 | 530000 | 507200 | 518600 | 530000 | 507200 | 518600 | 530000 | 507200 | 518600 | 530000 |
| 80.0            | BPSK       | 1             | 0         | 23.1                    | 23.0   | 23.1   | 22.4   | 22.0   | 22.2   | 22.8   | 22.9   | 22.8   | 22.9   | 23.1   | 23.2   |
|                 |            | 1             | 1         | 26.9                    | 26.7   | 26.7   | 25.7   | 25.5   | 25.6   | 26.5   | 26.6   | 26.4   | 26.7   | 26.8   |        |
|                 |            | 1             | 215       | 26.7                    | 26.7   | 26.6   | 25.5   | 25.5   | 25.2   | 26.6   | 26.4   | 26.2   | 26.8   | 26.5   |        |
|                 |            | 1             | 216       | 23.0                    | 23.0   | 22.9   | 22.0   | 22.1   | 21.7   | 23.0   | 22.8   | 22.6   | 23.1   | 23.0   |        |
|                 |            | 108           | 54        | 26.5                    | 26.5   | 26.5   | 25.4   | 25.4   | 25.3   | 26.4   | 26.4   | 26.2   | 26.6   | 26.6   |        |
|                 |            | 216           | 0         | 26.0                    | 26.0   | 25.9   | 25.2   | 25.1   | 25.0   | 25.8   | 25.9   | 25.7   | 26.1   | 26.2   |        |
|                 | QPSK       | 1             | 0         | 23.0                    | 22.9   | 23.0   | 22.2   | 22.1   | 22.2   | 22.8   | 23.0   | 22.8   | 23.1   | 23.1   |        |
|                 |            | 1             | 1         | 26.8                    | 26.8   | 26.8   | 25.7   | 25.5   | 25.5   | 26.5   | 26.6   | 26.4   | 26.9   | 26.8   |        |
|                 |            | 1             | 215       | 26.7                    | 26.8   | 26.6   | 25.6   | 25.5   | 25.2   | 26.5   | 26.4   | 26.3   | 26.8   | 26.6   |        |
|                 |            | 1             | 216       | 23.0                    | 23.0   | 22.9   | 22.0   | 22.1   | 21.8   | 22.9   | 22.8   | 22.6   | 23.1   | 23.0   |        |
|                 |            | 108           | 54        | 26.6                    | 26.6   | 26.5   | 25.5   | 25.5   | 25.2   | 26.3   | 26.5   | 26.3   | 26.6   | 26.7   |        |
|                 |            | 216           | 0         | 25.6                    | 25.5   | 25.5   | 24.7   | 24.6   | 24.5   | 25.3   | 25.5   | 25.2   | 25.6   | 25.7   |        |
|                 | 16QAM      | 1             | 0         | 22.9                    | 23.2   | 23.1   | 22.3   | 22.2   | 22.1   | 23.1   | 22.7   | 22.6   | 23.0   | 23.3   |        |
|                 |            | 1             | 1         | 25.7                    | 25.6   | 25.6   | 24.7   | 24.8   | 24.8   | 25.6   | 25.6   | 25.6   | 25.9   | 25.7   |        |
|                 |            | 1             | 215       | 25.6                    | 25.7   | 25.3   | 24.8   | 24.7   | 24.3   | 25.8   | 25.6   | 25.2   | 26.1   | 25.6   |        |
|                 |            | 1             | 216       | 23.2                    | 23.0   | 22.8   | 22.2   | 22.3   | 21.5   | 23.0   | 22.7   | 22.4   | 23.2   | 23.1   |        |
|                 |            | 108           | 54        | 25.6                    | 25.5   | 25.5   | 24.6   | 24.6   | 24.6   | 25.4   | 25.5   | 25.2   | 25.5   | 25.8   |        |
|                 |            | 216           | 0         | 24.5                    | 24.5   | 24.4   | 23.7   | 23.6   | 23.5   | 24.3   | 24.4   | 24.1   | 24.5   | 24.8   |        |
|                 | 64QAM      | 1             | 0         | 23.0                    | 23.0   | 23.3   | 22.7   | 22.2   | 22.0   | 22.9   | 23.0   | 22.6   | 23.2   | 23.2   |        |
|                 |            | 1             | 1         | 24.2                    | 24.3   | 24.4   | 23.7   | 23.2   | 23.1   | 23.9   | 24.0   | 23.7   | 23.8   | 24.3   |        |
|                 |            | 1             | 215       | 23.7                    | 24.4   | 24.0   | 23.5   | 23.3   | 22.8   | 24.1   | 23.9   | 23.5   | 24.2   | 24.0   |        |
|                 |            | 1             | 216       | 23.2                    | 23.3   | 22.7   | 22.5   | 22.0   | 21.7   | 23.0   | 22.8   | 22.6   | 23.0   | 23.2   |        |
|                 |            | 108           | 54        | 23.9                    | 24.0   | 23.9   | 23.0   | 23.0   | 22.9   | 23.8   | 23.8   | 23.6   | 23.9   | 24.2   |        |
|                 |            | 216           | 0         | 24.0                    | 24.0   | 24.1   | 23.1   | 23.1   | 22.9   | 23.9   | 23.9   | 23.6   | 24.0   | 24.3   |        |
|                 | 256QAM     | 1             | 0         | 22.2                    | 22.1   | 21.9   | 21.3   | 21.2   | 21.1   | 22.0   | 21.9   | 21.8   | 21.9   | 22.1   |        |
|                 |            | 1             | 1         | 22.2                    | 22.5   | 22.1   | 21.5   | 21.3   | 21.3   | 22.1   | 21.8   | 21.9   | 22.1   | 22.2   |        |
|                 |            | 1             | 215       | 21.8                    | 22.0   | 21.8   | 21.1   | 21.2   | 20.8   | 21.9   | 22.1   | 21.8   | 22.3   | 22.2   |        |
|                 |            | 1             | 216       | 22.3                    | 21.8   | 21.9   | 21.0   | 21.0   | 21.6   | 20.8   | 21.7   | 21.8   | 22.1   | 22.0   |        |
|                 |            | 108           | 54        | 22.0                    | 21.9   | 21.8   | 21.0   | 21.0   | 21.0   | 21.8   | 21.9   | 21.7   | 21.9   | 22.2   |        |
|                 |            | 216           | 0         | 21.8                    | 21.9   | 21.8   | 21.0   | 21.0   | 20.9   | 21.8   | 21.8   | 21.6   | 21.9   | 22.1   |        |

**OUTPUT POWER FOR 5G NR n41 (90.0 MHz)**

| Bandwidth (MHz) | Modulation | RB Allocation | RB Offset | Conducted Average (dBm) |        |        |        |        |        |        |        |        |        |        |        |
|-----------------|------------|---------------|-----------|-------------------------|--------|--------|--------|--------|--------|--------|--------|--------|--------|--------|--------|
|                 |            |               |           | ANT 2                   |        |        | ANT 0  |        |        | ANT 1  |        |        | ANT 5  |        |        |
|                 |            |               |           | 508200                  | 518600 | 529000 | 508200 | 518600 | 529000 | 508200 | 518600 | 529000 | 508200 | 518600 | 529000 |
| 90.0            | BPSK       | 1             | 0         | 23.1                    | 23.1   | 23.0   | 22.2   | 22.1   | 22.0   | 22.7   | 22.9   | 22.9   | 23.1   | 23.0   |        |
|                 |            | 1             | 1         | 26.8                    | 26.7   | 26.8   | 25.9   | 25.6   | 25.7   | 26.5   | 26.6   | 26.6   | 26.8   | 26.8   |        |
|                 |            | 1             | 243       | 26.9                    | 26.8   | 26.7   | 25.8   | 25.5   | 25.3   | 26.7   | 26.5   | 26.4   | 26.9   | 26.7   |        |
|                 |            | 1             | 244       | 23.1                    | 23.0   | 22.9   | 22.2   | 22.2   | 21.7   | 23.0   | 22.7   | 22.7   | 23.2   | 23.0   |        |
|                 |            | 120           | 60        | 26.6                    | 26.5   | 26.6   | 25.5   | 25.4   | 25.3   | 26.5   | 26.4   | 26.2   | 26.6   | 26.7   |        |
|                 |            | 243           | 0         | 26.1                    | 26.0   | 26.0   | 24.6   | 24.6   | 24.5   | 25.9   | 26.0   | 25.6   | 26.2   | 26.2   |        |
|                 | QPSK       | 1             | 0         | 23.1                    | 23.0   | 23.0   | 22.3   | 22.0   | 22.0   | 22.9   | 22.9   | 22.8   | 23.1   | 23.2   |        |
|                 |            | 1             | 1         | 26.8                    | 26.8   | 26.8   | 25.7   | 25.6   | 25.7   | 26.5   | 26.5   | 26.6   | 26.8   | 27.0   |        |
|                 |            | 1             | 243       | 26.8                    | 26.9   | 26.7   | 25.7   | 25.6   | 25.3   | 26.8   | 26.4   | 26.5   | 27.0   | 26.6   |        |
|                 |            | 1             | 244       | 23.1                    | 23.0   | 22.8   | 22.2   | 21.9   | 21.8   | 22.9   | 22.8   | 22.7   | 23.2   | 23.0   |        |
|                 |            | 120           | 60        | 26.6                    | 26.6   | 26.5   | 25.5   | 25.4   | 25.3   | 26.4   | 26.5   | 26.3   | 26.7   | 26.7   |        |
|                 |            | 243           | 0         | 25.6                    | 25.6   | 25.4   | 25.2   | 25.1   | 25.0   | 25.4   | 25.3   | 25.2   | 25.7   | 25.7   |        |
|                 | 16QAM      | 1             | 0         | 23.4                    | 23.2   | 23.1   | 22.1   | 22.1   | 21.7   | 22.8   | 22.9   | 23.0   | 23.1   | 23.3   |        |
|                 |            | 1             | 1         | 25.8                    | 25.5   | 25.8   | 24.8   | 24.9   | 24.8   | 25.6   | 25.7   | 25.6   | 25.7   | 25.8   |        |
|                 |            | 1             | 243       | 25.7                    | 25.6   | 25.5   | 24.7   | 24.9   | 24.3   | 25.5   | 25.5   | 25.4   | 25.8   | 25.5   |        |
|                 |            | 1             | 244       | 23.2                    | 22.9   | 23.0   | 22.2   | 21.9   | 21.6   | 22.8   | 22.5   | 22.7   | 23.4   | 22.9   |        |
|                 |            | 120           | 60        | 25.5                    | 25.6   | 25.5   | 24.7   | 24.6   | 24.4   | 25.5   | 25.4   | 25.1   | 25.6   | 25.7   |        |
|                 |            | 243           | 0         | 24.6                    | 24.6   | 24.5   | 23.7   | 23.6   | 23.5   | 24.4   | 24.3   | 24.1   | 24.7   | 24.6   |        |
|                 | 64QAM      | 1             | 0         | 22.9                    | 23.1   | 23.0   | 22.3   | 22.2   | 21.9   | 22.8   | 22.8   | 22.9   | 22.9   | 23.2   |        |
|                 |            | 1             | 1         | 24.3                    | 24.1   | 24.0   | 23.2   | 23.1   | 22.9   | 23.9   | 23.9   | 24.4   | 24.3   | 24.2   |        |
|                 |            | 1             | 243       | 24.3                    | 24.3   | 24.1   | 23.2   | 23.1   | 22.4   | 24.2   | 23.9   | 23.7   | 24.5   | 24.0   |        |
|                 |            | 1             | 244       | 22.9                    | 22.8   | 22.8   | 22.2   | 22.1   | 21.5   | 22.8   | 22.8   | 23.0   | 23.3   | 23.0   |        |
|                 |            | 120           | 60        | 24.0                    | 23.9   | 23.9   | 23.1   | 23.0   | 22.9   | 23.9   | 23.8   | 23.7   | 24.1   | 24.1   |        |
|                 |            | 243           | 0         | 24.1                    | 24.0   | 24.0   | 23.2   | 23.0   | 22.9   | 23.9   | 24.0   | 23.6   | 24.1   | 24.0   |        |
|                 | 256QAM     | 1             | 0         | 22.1                    | 22.3   | 22.4   | 21.5   | 21.1   | 21.1   | 22.1   | 21.9   | 21.9   | 22.4   | 22.2   |        |
|                 |            | 1             | 1         | 22.4                    | 22.0   | 22.4   | 21.2   | 21.2   | 21.2   | 22.0   | 22.1   | 21.9   | 22.3   | 22.0   |        |
|                 |            | 1             | 243       | 22.5                    | 22.0   | 22.5   | 21.3   | 21.1   | 20.8   | 22.2   | 21.9   | 21.7   | 22.3   | 21.8   |        |
|                 |            | 1             | 244       | 22.2                    | 21.8   | 22.3   | 21.2   | 21.0   | 20.6   | 22.2   | 21.7   | 21.5   | 22.2   | 21.8   |        |
|                 |            | 120           | 60        | 22.0                    | 21.8   | 21.8   | 21.1   | 21.0   | 20.8   | 21.9   | 21.8   | 21.7   | 22.0   | 22.0   |        |
|                 |            | 243           | 0         | 22.0                    | 21.9   | 21.9   | 21.1   | 21.0   | 20.8   | 21.9   | 21.8   | 21.7   | 22.1   | 22.1   |        |

**OUTPUT POWER FOR 5G NR n41 (100.0 MHz)**

| Bandwidth (MHz) | Modulation | RB Allocation | RB Offset | Conducted Average (dBm) |        |        |        |        |        |        |        |        |        |        |        |
|-----------------|------------|---------------|-----------|-------------------------|--------|--------|--------|--------|--------|--------|--------|--------|--------|--------|--------|
|                 |            |               |           | ANT 2                   |        |        | ANT 0  |        |        | ANT 1  |        |        | ANT 5  |        |        |
|                 |            |               |           | 509200                  | 528600 | 528000 | 509200 | 528600 | 528000 | 509200 | 528600 | 528000 | 509200 | 528600 | 528000 |
| 100.0           | BPSK       | 1             | 0         | 23.0                    | 23.0   | 22.9   | 22.2   | 22.0   | 21.9   | 22.7   | 22.9   | 22.7   | 23.1   | 23.0   | 22.9   |
|                 |            | 1             | 1         | 26.8                    | 26.7   | 26.8   | 25.8   | 25.6   | 25.6   | 26.6   | 26.6   | 26.6   | 26.8   | 26.8   | 26.9   |
|                 |            | 1             | 271       | 26.9                    | 26.8   | 26.8   | 25.7   | 25.6   | 25.3   | 26.7   | 26.5   | 26.4   | 26.8   | 26.7   | 26.6   |
|                 |            | 1             | 272       | 23.0                    | 22.9   | 22.8   | 22.0   | 22.0   | 21.6   | 22.8   | 22.7   | 22.7   | 23.2   | 22.9   | 22.9   |
|                 |            | 135           | 67        | 26.6                    | 26.6   | 26.6   | 25.4   | 25.4   | 25.3   | 26.5   | 26.4   | 26.3   | 26.8   | 26.6   | 26.5   |
|                 |            | 270           | 0         | 26.2                    | 26.0   | 26.1   | 24.7   | 24.6   | 24.5   | 26.0   | 25.9   | 25.9   | 26.3   | 26.2   | 26.0   |
|                 | QPSK       | 1             | 0         | 23.0                    | 23.0   | 22.9   | 22.2   | 22.0   | 21.9   | 22.8   | 22.9   | 22.8   | 23.0   | 23.0   | 23.2   |
|                 |            | 1             | 1         | 26.9                    | 26.8   | 26.7   | 25.7   | 25.6   | 25.6   | 26.6   | 26.7   | 26.6   | 26.8   | 27.0   | 26.9   |
|                 |            | 1             | 271       | 26.9                    | 26.8   | 26.8   | 25.6   | 25.6   | 25.4   | 26.7   | 26.6   | 26.4   | 26.9   | 26.8   | 26.6   |
|                 |            | 1             | 272       | 23.0                    | 22.9   | 22.8   | 22.0   | 22.0   | 21.7   | 22.7   | 22.7   | 22.6   | 23.1   | 22.9   | 22.8   |
|                 |            | 135           | 67        | 26.6                    | 26.6   | 26.5   | 25.5   | 25.4   | 25.3   | 26.5   | 26.5   | 26.3   | 26.7   | 26.8   | 26.5   |
|                 |            | 270           | 0         | 25.5                    | 25.6   | 25.5   | 25.3   | 25.1   | 25.0   | 25.4   | 25.5   | 25.2   | 25.6   | 25.7   | 25.5   |
|                 | 16QAM      | 1             | 0         | 23.1                    | 22.8   | 22.9   | 22.1   | 21.8   | 22.3   | 22.4   | 22.6   | 23.0   | 23.1   | 23.1   | 23.2   |
|                 |            | 1             | 1         | 25.9                    | 25.6   | 25.9   | 24.9   | 24.8   | 25.4   | 25.6   | 25.3   | 25.6   | 25.9   | 25.9   | 25.8   |
|                 |            | 1             | 271       | 26.1                    | 25.6   | 25.7   | 24.9   | 24.9   | 24.6   | 25.6   | 25.5   | 25.4   | 25.9   | 25.6   | 25.8   |
|                 |            | 1             | 272       | 23.1                    | 22.9   | 23.0   | 22.1   | 21.9   | 22.1   | 22.8   | 22.7   | 22.6   | 22.9   | 22.9   | 22.9   |
|                 |            | 135           | 67        | 25.5                    | 25.6   | 25.6   | 24.7   | 24.6   | 24.5   | 25.5   | 25.4   | 25.3   | 25.7   | 25.7   | 25.4   |
|                 |            | 270           | 0         | 24.6                    | 24.5   | 24.5   | 23.7   | 23.6   | 23.5   | 24.5   | 24.4   | 24.3   | 24.6   | 24.6   | 24.5   |
|                 | 64QAM      | 1             | 0         | 23.1                    | 22.9   | 22.8   | 22.1   | 21.7   | 22.1   | 22.6   | 22.8   | 22.6   | 22.9   | 23.1   | 23.1   |
|                 |            | 1             | 1         | 24.5                    | 23.8   | 24.3   | 23.5   | 23.4   | 23.4   | 23.8   | 24.1   | 24.2   | 24.3   | 24.1   | 24.3   |
|                 |            | 1             | 271       | 24.4                    | 24.1   | 23.8   | 23.2   | 23.0   | 22.9   | 24.0   | 23.8   | 23.8   | 24.2   | 24.3   | 23.9   |
|                 |            | 1             | 272       | 23.1                    | 23.0   | 22.8   | 21.9   | 21.7   | 21.8   | 22.5   | 22.8   | 22.6   | 23.1   | 23.0   | 22.8   |
|                 |            | 135           | 67        | 24.0                    | 24.0   | 23.9   | 23.0   | 23.0   | 22.9   | 23.9   | 23.8   | 23.7   | 24.2   | 24.2   | 23.9   |
|                 |            | 270           | 0         | 24.0                    | 24.0   | 24.0   | 23.1   | 23.0   | 23.0   | 23.9   | 23.9   | 23.7   | 24.2   | 24.1   | 23.9   |
|                 | 256QAM     | 1             | 0         | 22.2                    | 22.1   | 21.9   | 21.2   | 21.1   | 21.0   | 21.7   | 21.8   | 21.9   | 22.2   | 22.1   | 22.0   |
|                 |            | 1             | 1         | 22.3                    | 22.0   | 22.4   | 21.4   | 21.3   | 21.2   | 21.9   | 22.2   | 22.0   | 22.3   | 22.2   | 22.2   |
|                 |            | 1             | 271       | 22.3                    | 22.3   | 22.0   | 21.2   | 21.2   | 21.0   | 22.0   | 21.9   | 21.9   | 22.3   | 22.1   | 21.9   |
|                 |            | 1             | 272       | 22.0                    | 22.2   | 21.9   | 21.2   | 21.1   | 20.9   | 21.9   | 21.9   | 21.7   | 22.0   | 22.2   | 21.9   |
|                 |            | 135           | 67        | 21.9                    | 21.9   | 21.9   | 21.0   | 21.0   | 20.8   | 21.8   | 21.8   | 21.7   | 22.0   | 22.1   | 21.8   |
|                 |            | 270           | 0         | 22.0                    | 21.8   | 21.9   | 21.1   | 21.0   | 20.9   | 21.9   | 21.7   | 21.7   | 22.2   | 22.1   | 22.0   |

### 8.13. LTE BAND 48 AND 5G NR n48

#### LTE BAND 48

|                          |  |                   |                          |
|--------------------------|--|-------------------|--------------------------|
| <b>Test Engineer ID:</b> | 19420PD, 24937ZM,<br>50813CM and 43576TS | <b>Test Date:</b> | 2024-01-23 to 2024-03-19 |
|--------------------------|--|-------------------|--------------------------|

#### OUTPUT POWER FOR LTE BAND 48 (5.0 MHz)

| Bandwidth (MHz) | Modulation | RB Allocation | RB Offset | Conducted Average (dBm) |                 |                 |                 |                 |                 |
|-----------------|------------|---------------|-----------|-------------------------|-----------------|-----------------|-----------------|-----------------|-----------------|
|                 |            |               |           | ANT 6                   |                 |                 | ANT 7           |                 |                 |
|                 |            |               |           | 55265<br>3552.5         | 55990<br>3625.0 | 56715<br>3697.5 | 55260<br>3552.5 | 55990<br>3625.0 | 56715<br>3697.5 |
| 5.0             | QPSK       | 1             | 0         | 22.5                    | 22.6            | 22.5            | <b>22.7</b>     | 22.6            | 22.6            |
|                 |            | 1             | 12        | 22.7                    | <b>22.7</b>     | 22.6            | 22.7            | 22.5            | 22.4            |
|                 |            | 1             | 24        | 22.4                    | 22.6            | 22.4            | 22.7            | 22.6            | 22.5            |
|                 |            | 12            | 0         | 22.5                    | 22.6            | 22.5            | 21.7            | 21.6            | 21.5            |
|                 |            | 12            | 6         | 22.5                    | 22.6            | 22.4            | 21.7            | 21.6            | 21.5            |
|                 |            | 12            | 11        | 22.4                    | 22.6            | 22.5            | 21.7            | 21.6            | 21.5            |
|                 |            | 25            | 0         | 22.5                    | <b>22.7</b>     | 22.5            | 21.7            | 21.6            | 21.5            |
|                 | 16QAM      | 1             | 0         | 22.5                    | <b>22.7</b>     | 22.3            | 22.4            | <b>22.5</b>     | 22.5            |
|                 |            | 1             | 12        | 22.6                    | 22.6            | 22.2            | 22.2            | 22.5            | 22.4            |
|                 |            | 1             | 24        | 22.5                    | 22.6            | 22.3            | 22.4            | <b>22.5</b>     | 22.5            |
|                 |            | 12            | 0         | 22.3                    | 22.5            | 22.3            | 21.6            | 21.4            | 21.5            |
|                 |            | 12            | 6         | 22.4                    | 22.6            | 22.3            | 21.6            | 21.4            | 21.5            |
|                 |            | 12            | 11        | 22.4                    | 22.6            | 22.3            | 21.6            | 21.4            | 21.5            |
|                 |            | 25            | 0         | 22.4                    | 22.5            | 22.4            | 21.6            | 21.5            | 21.4            |
|                 | 64QAM      | 1             | 0         | 22.4                    | 22.5            | 22.6            | <b>21.7</b>     | 21.5            | 21.1            |
|                 |            | 1             | 12        | 22.2                    | 22.5            | <b>22.6</b>     | 21.6            | 21.3            | 21.0            |
|                 |            | 1             | 24        | 22.3                    | 22.5            | 22.5            | 21.6            | 21.4            | 21.1            |
|                 |            | 12            | 0         | 21.4                    | 21.6            | 21.3            | 20.6            | 20.4            | 20.1            |
|                 |            | 12            | 6         | 21.4                    | 21.5            | 21.3            | 20.6            | 20.4            | 20.1            |
|                 |            | 12            | 11        | 21.4                    | 21.5            | 21.3            | 20.5            | 20.5            | 20.1            |
|                 |            | 25            | 0         | 21.4                    | 21.5            | 21.3            | 20.5            | 20.5            | 20.2            |
|                 | 256QAM     | 1             | 0         | 19.5                    | 19.5            | 19.5            | 18.1            | 17.8            | <b>18.2</b>     |
|                 |            | 1             | 12        | 19.5                    | <b>19.5</b>     | 19.5            | 18.1            | 17.9            | 18.1            |
|                 |            | 1             | 24        | 19.4                    | <b>19.5</b>     | 19.4            | 18.1            | 17.9            | 18.1            |
|                 |            | 12            | 0         | 19.4                    | 19.5            | 19.4            | 18.1            | 17.9            | 18.1            |
| 12              |            | 6             | 19.4      | 19.5                    | 19.4            | 18.1            | 17.9            | 18.1            |                 |
| 12              |            | 11            | 19.4      | 19.5                    | 19.4            | 18.1            | 17.9            | 18.1            |                 |
| 25              |            | 0             | 19.4      | 19.5                    | 19.4            | 18.1            | 17.9            | 18.1            |                 |

#### OUTPUT POWER FOR LTE BAND 48 (10.0 MHz)

| Bandwidth (MHz) | Modulation | RB Allocation | RB Offset | Conducted Average (dBm) |                 |                 |                 |                 |                 |
|-----------------|------------|---------------|-----------|-------------------------|-----------------|-----------------|-----------------|-----------------|-----------------|
|                 |            |               |           | ANT 6                   |                 |                 | ANT 7           |                 |                 |
|                 |            |               |           | 55290<br>3555.0         | 55990<br>3625.0 | 56690<br>3695.0 | 55290<br>3555.0 | 55990<br>3625.0 | 56690<br>3695.0 |
| 10.0            | QPSK       | 1             | 0         | 22.4                    | <b>22.8</b>     | 22.5            | 22.6            | 22.5            | 22.1            |
|                 |            | 1             | 24        | 22.3                    | 22.5            | 22.4            | <b>22.7</b>     | 22.6            | 22.0            |
|                 |            | 1             | 49        | 22.4                    | 22.5            | 22.5            | 22.6            | 22.5            | 22.1            |
|                 |            | 25            | 0         | 22.5                    | 22.6            | 22.6            | 21.5            | 21.4            | 21.2            |
|                 |            | 25            | 12        | 22.5                    | 22.6            | 22.5            | 21.6            | 21.4            | 21.1            |
|                 |            | 25            | 24        | 22.5                    | 22.6            | 22.5            | 21.6            | 21.4            | 21.2            |
|                 |            | 50            | 0         | 22.5                    | 22.6            | 22.5            | 21.6            | 21.4            | 21.2            |
|                 | 16QAM      | 1             | 0         | 22.6                    | 22.7            | 22.6            | 22.5            | 22.3            | 22.3            |
|                 |            | 1             | 24        | 22.3                    | 22.4            | 22.4            | 22.6            | 22.5            | 22.2            |
|                 |            | 1             | 49        | 22.7                    | <b>22.7</b>     | 22.6            | <b>22.6</b>     | 22.4            | 22.3            |
|                 |            | 25            | 0         | 22.4                    | 22.5            | 22.4            | 21.6            | 21.4            | 21.2            |
|                 |            | 25            | 12        | 22.4                    | 22.5            | 22.4            | 21.6            | 21.4            | 21.1            |
|                 |            | 25            | 24        | 22.4                    | 22.5            | 22.4            | 21.6            | 21.4            | 21.1            |
|                 |            | 50            | 0         | 22.4                    | 22.5            | 22.5            | 21.6            | 21.4            | 21.2            |
|                 | 64QAM      | 1             | 0         | 22.3                    | 22.4            | 22.4            | <b>21.7</b>     | 21.5            | 21.5            |
|                 |            | 1             | 24        | 22.4                    | <b>22.5</b>     | 22.4            | 21.6            | 21.3            | 21.1            |
|                 |            | 1             | 49        | 22.3                    | 22.3            | 22.3            | 21.6            | 21.5            | 21.5            |
|                 |            | 25            | 0         | 21.4                    | 21.5            | 21.4            | 20.6            | 20.4            | 20.4            |
|                 |            | 25            | 12        | 21.4                    | 21.5            | 21.4            | 20.6            | 20.4            | 20.4            |
|                 |            | 25            | 24        | 21.4                    | 21.5            | 21.4            | 20.6            | 20.4            | 20.4            |
|                 |            | 50            | 0         | 21.4                    | 21.5            | 21.4            | 20.5            | 20.4            | 20.4            |
|                 | 256QAM     | 1             | 0         | 19.4                    | 19.4            | 19.3            | 17.9            | 17.8            | <b>18.4</b>     |
|                 |            | 1             | 24        | 19.4                    | 19.5            | 19.4            | 17.9            | 17.9            | 18.2            |
|                 |            | 1             | 49        | 19.4                    | 19.4            | 19.2            | 18.0            | 17.9            | 18.0            |
|                 |            | 25            | 0         | 19.4                    | <b>19.5</b>     | 19.4            | 18.1            | 17.9            | 18.2            |
| 25              |            | 12            | 19.4      | 19.5                    | 19.4            | 18.1            | 17.9            | 18.1            |                 |
| 25              |            | 24            | 19.4      | 19.5                    | 19.4            | 18.1            | 17.9            | 18.0            |                 |
| 50              |            | 0             | 19.4      | 19.5                    | 19.4            | 18.0            | 17.9            | 18.1            |                 |

**OUTPUT POWER FOR LTE BAND 48 (15.0 MHz)**

| Bandwidth (MHz) | Modulation | RB Allocation | RB Offset | Conducted Average (dBm) |             |             |             |       |       |
|-----------------|------------|---------------|-----------|-------------------------|-------------|-------------|-------------|-------|-------|
|                 |            |               |           | ANT 6                   |             |             | ANT 7       |       |       |
|                 |            |               |           | 55315                   | 55990       | 56665       | 55315       | 55990 | 56665 |
| 15.0            | QPSK       | 1             | 0         | 22.5                    | 22.5        | 22.6        | <b>22.6</b> | 22.4  | 22.2  |
|                 |            | 1             | 37        | 22.3                    | <b>22.7</b> | 22.6        | 22.4        | 22.4  | 22.0  |
|                 |            | 1             | 74        | 22.5                    | 22.6        | 22.5        | 22.5        | 22.5  | 22.1  |
|                 |            | 36            | 0         | 22.5                    | 22.5        | 22.6        | 21.6        | 21.5  | 21.1  |
|                 |            | 36            | 16        | 22.5                    | 22.6        | 22.5        | 21.6        | 21.5  | 21.1  |
|                 |            | 36            | 35        | 22.5                    | 22.6        | 22.5        | 21.5        | 21.5  | 21.1  |
|                 |            | 75            | 0         | 22.5                    | 22.6        | 22.5        | 21.6        | 21.5  | 21.1  |
|                 | 16QAM      | 1             | 0         | 22.1                    | 22.2        | 22.2        | 22.5        | 22.3  | 22.2  |
|                 |            | 1             | 37        | 22.0                    | <b>22.6</b> | 22.5        | 22.3        | 22.3  | 22.0  |
|                 |            | 1             | 74        | 22.1                    | 22.4        | 22.5        | <b>22.5</b> | 22.3  | 22.0  |
|                 |            | 36            | 0         | 22.3                    | 22.5        | 22.4        | 21.5        | 21.5  | 21.1  |
|                 |            | 36            | 16        | 22.3                    | 22.5        | 22.4        | 21.6        | 21.4  | 21.1  |
|                 |            | 36            | 35        | 22.4                    | 22.4        | 22.5        | 21.6        | 21.4  | 21.1  |
|                 |            | 75            | 0         | 22.4                    | 22.5        | 22.4        | 21.5        | 21.4  | 21.2  |
|                 | 64QAM      | 1             | 0         | 22.5                    | 22.5        | <b>22.8</b> | <b>21.7</b> | 21.6  | 21.1  |
|                 |            | 1             | 37        | 22.4                    | 22.5        | 22.2        | 21.3        | 21.2  | 20.8  |
|                 |            | 1             | 74        | 22.3                    | 22.5        | 22.2        | <b>21.7</b> | 21.2  | 21.0  |
|                 |            | 36            | 0         | 21.4                    | 21.5        | 21.5        | 20.6        | 20.4  | 20.2  |
|                 |            | 36            | 16        | 21.4                    | 21.5        | 21.5        | 20.6        | 20.5  | 20.2  |
|                 |            | 36            | 35        | 21.4                    | 21.5        | 21.4        | 20.6        | 20.5  | 20.2  |
|                 |            | 75            | 0         | 21.4                    | 21.5        | 21.4        | 20.6        | 20.5  | 20.1  |
|                 | 256QAM     | 1             | 0         | 19.5                    | <b>19.9</b> | 19.5        | 18.4        | 18.0  | 18.4  |
|                 |            | 1             | 37        | 19.4                    | 19.8        | 19.6        | <b>18.5</b> | 18.2  | 18.3  |
|                 |            | 1             | 74        | 19.8                    | 19.6        | 19.3        | 18.3        | 18.1  | 18.2  |
|                 |            | 36            | 0         | 19.4                    | 19.4        | 19.4        | 18.4        | 18.1  | 18.1  |
|                 |            | 36            | 16        | 19.4                    | 19.5        | 19.4        | 18.2        | 18.0  | 18.2  |
|                 |            | 36            | 35        | 19.4                    | 19.4        | 19.4        | 18.2        | 18.1  | 18.1  |
|                 |            | 75            | 0         | 19.4                    | 19.5        | 19.4        | 18.3        | 18.1  | 18.1  |

**OUTPUT POWER FOR LTE BAND 48 (20.0 MHz)**

| Bandwidth (MHz) | Modulation | RB Allocation | RB Offset | Conducted Average (dBm) |             |             |             |             |       |
|-----------------|------------|---------------|-----------|-------------------------|-------------|-------------|-------------|-------------|-------|
|                 |            |               |           | ANT 6                   |             |             | ANT 7       |             |       |
|                 |            |               |           | 55340                   | 55990       | 56640       | 55340       | 55990       | 56640 |
| 20.0            | QPSK       | 1             | 0         | 22.5                    | 22.7        | 22.5        | 22.5        | <b>22.6</b> | 22.5  |
|                 |            | 1             | 49        | 22.4                    | <b>22.7</b> | 22.3        | 22.6        | 22.5        | 22.5  |
|                 |            | 1             | 99        | 22.5                    | 22.6        | 22.5        | 22.5        | 22.6        | 22.4  |
|                 |            | 50            | 0         | 22.5                    | 22.6        | 22.6        | 21.6        | 21.5        | 21.4  |
|                 |            | 50            | 24        | 22.5                    | 22.6        | 22.5        | 21.6        | 21.5        | 21.4  |
|                 |            | 50            | 49        | 22.5                    | 22.6        | 22.5        | 21.6        | 21.5        | 21.4  |
|                 |            | 100           | 0         | 22.5                    | 22.6        | 22.5        | 21.6        | 21.5        | 21.4  |
|                 | 16QAM      | 1             | 0         | 22.6                    | 22.6        | <b>22.7</b> | 22.3        | 22.5        | 22.5  |
|                 |            | 1             | 49        | 22.6                    | <b>22.7</b> | 22.6        | 22.5        | 22.5        | 22.5  |
|                 |            | 1             | 99        | 22.6                    | 22.6        | 22.6        | 22.4        | <b>22.5</b> | 22.5  |
|                 |            | 50            | 0         | 22.4                    | 22.5        | 22.5        | 21.5        | 21.5        | 21.4  |
|                 |            | 50            | 24        | 22.4                    | 22.5        | 22.5        | 21.5        | 21.5        | 21.4  |
|                 |            | 50            | 49        | 22.4                    | 22.5        | 22.4        | 21.5        | 21.5        | 21.4  |
|                 |            | 100           | 0         | 22.4                    | 22.5        | 22.4        | 21.5        | 21.5        | 21.4  |
|                 | 64QAM      | 1             | 0         | 22.3                    | <b>22.7</b> | 22.6        | 21.4        | 21.4        | 21.2  |
|                 |            | 1             | 49        | 22.0                    | 22.5        | 22.4        | <b>21.7</b> | 21.3        | 21.6  |
|                 |            | 1             | 99        | 22.5                    | 22.7        | 22.5        | 21.6        | 21.4        | 20.9  |
|                 |            | 50            | 0         | 21.5                    | 21.5        | 21.5        | 20.6        | 20.2        | 20.2  |
|                 |            | 50            | 24        | 21.4                    | 21.5        | 21.4        | 20.7        | 20.2        | 20.1  |
|                 |            | 50            | 49        | 21.5                    | 21.5        | 21.4        | 20.6        | 20.2        | 20.1  |
|                 |            | 100           | 0         | 21.5                    | 21.5        | 21.4        | 20.6        | 20.2        | 20.1  |
|                 | 256QAM     | 1             | 0         | 19.7                    | 19.5        | 19.5        | 17.8        | 18.1        | 18.4  |
|                 |            | 1             | 49        | 19.5                    | 19.6        | 19.4        | 18.2        | <b>18.7</b> | 18.4  |
|                 |            | 1             | 99        | <b>19.7</b>             | 19.5        | 19.2        | 17.5        | 18.5        | 17.8  |
|                 |            | 50            | 0         | 19.4                    | 19.5        | 19.4        | 17.8        | 18.3        | 18.1  |
|                 |            | 50            | 24        | 19.4                    | 19.5        | 19.4        | 18.0        | 18.3        | 18.1  |
|                 |            | 50            | 49        | 19.5                    | 19.5        | 19.4        | 18.0        | 18.3        | 18.1  |
|                 |            | 100           | 0         | 19.4                    | 19.5        | 19.4        | 17.9        | 18.3        | 18.1  |



**5G NR n48**

|                          |         |                   |                          |
|--------------------------|---------|-------------------|--------------------------|
| <b>Test Engineer ID:</b> | 27966PV | <b>Test Date:</b> | 2024-02-13 to 2024-02-21 |
|--------------------------|---------|-------------------|--------------------------|

**OUTPUT POWER FOR 5G NR n48 (10.0 MHz)**

| Bandwidth (MHz) | Modulation | RB Allocation | RB Offset | Conducted Average (dBm) |        |        |        |        |        |        |        |        |        |        |        |
|-----------------|------------|---------------|-----------|-------------------------|--------|--------|--------|--------|--------|--------|--------|--------|--------|--------|--------|
|                 |            |               |           | ANT 6                   |        |        | ANT 7  |        |        | ANT 1  |        |        | ANT 5  |        |        |
|                 |            |               |           | 637000                  | 641666 | 646333 | 637000 | 641666 | 646333 | 637000 | 641666 | 646333 | 637000 | 641666 | 646333 |
| 10.0            | BPSK       | 1             | 0         | 22.7                    | 22.9   | 22.7   | 22.2   | 22.4   | 21.7   | 22.3   | 22.7   | 22.5   | 22.3   | 22.5   | 22.0   |
|                 |            | 1             | 1         | 22.6                    | 22.8   | 22.7   | 22.3   | 22.4   | 21.7   | 22.3   | 22.7   | 22.5   | 22.3   | 22.4   | 21.9   |
|                 |            | 1             | 22        | 22.7                    | 22.8   | 22.8   | 22.3   | 22.4   | 21.6   | 22.4   | 22.7   | 22.4   | 22.3   | 22.4   | 21.9   |
|                 |            | 1             | 23        | 22.7                    | 22.8   | 22.8   | 22.2   | 22.4   | 21.6   | 22.4   | 22.7   | 22.4   | 22.4   | 22.4   | 22.0   |
|                 |            | 12            | 6         | 22.6                    | 22.9   | 22.6   | 22.2   | 22.3   | 21.6   | 22.3   | 22.7   | 22.4   | 22.3   | 22.4   | 21.9   |
|                 |            | 24            | 0         | 22.6                    | 22.8   | 22.8   | 22.3   | 22.3   | 21.7   | 22.3   | 22.7   | 22.4   | 22.3   | 22.4   | 21.9   |
|                 | QPSK       | 1             | 0         | 22.8                    | 22.8   | 22.8   | 22.3   | 22.3   | 21.7   | 22.3   | 22.7   | 22.5   | 22.4   | 22.5   | 21.9   |
|                 |            | 1             | 1         | 22.7                    | 22.9   | 22.7   | 22.3   | 22.3   | 21.8   | 22.3   | 22.8   | 22.4   | 22.4   | 22.5   | 22.0   |
|                 |            | 1             | 22        | 22.7                    | 22.8   | 22.8   | 22.3   | 22.4   | 21.7   | 22.4   | 22.6   | 22.4   | 22.5   | 22.4   | 22.0   |
|                 |            | 1             | 23        | 22.7                    | 22.8   | 22.8   | 22.3   | 22.2   | 21.7   | 22.4   | 22.7   | 22.5   | 22.4   | 22.4   | 21.9   |
|                 |            | 12            | 6         | 22.7                    | 22.9   | 22.8   | 22.3   | 22.3   | 21.8   | 22.3   | 22.7   | 22.4   | 22.4   | 22.4   | 22.0   |
|                 |            | 24            | 0         | 22.7                    | 22.8   | 22.8   | 22.3   | 22.3   | 21.8   | 22.3   | 22.7   | 22.4   | 22.4   | 22.4   | 22.0   |
|                 | 16QAM      | 1             | 0         | 22.4                    | 22.9   | 22.5   | 21.9   | 22.0   | 21.5   | 22.1   | 22.6   | 22.4   | 22.0   | 21.7   | 21.2   |
|                 |            | 1             | 1         | 22.7                    | 22.9   | 22.8   | 22.0   | 22.3   | 21.8   | 22.2   | 22.7   | 22.5   | 22.4   | 22.0   | 21.7   |
|                 |            | 1             | 22        | 22.6                    | 22.9   | 22.6   | 22.3   | 22.2   | 21.6   | 22.4   | 22.8   | 22.2   | 22.5   | 22.1   | 21.7   |
|                 |            | 1             | 23        | 22.5                    | 22.9   | 22.4   | 21.8   | 21.4   | 21.5   | 22.1   | 22.5   | 22.5   | 21.9   | 21.7   | 21.3   |
|                 |            | 12            | 6         | 22.6                    | 22.9   | 22.7   | 22.3   | 22.2   | 21.7   | 22.3   | 22.7   | 22.5   | 22.1   | 22.5   | 21.9   |
|                 |            | 24            | 0         | 22.7                    | 22.7   | 22.6   | 21.9   | 22.0   | 21.3   | 22.2   | 22.6   | 22.2   | 21.8   | 21.9   | 21.5   |
|                 | 64QAM      | 1             | 0         | 22.1                    | 22.3   | 21.9   | 21.1   | 21.6   | 20.6   | 21.8   | 22.2   | 21.9   | 21.2   | 21.4   | 21.0   |
|                 |            | 1             | 1         | 22.1                    | 22.3   | 22.2   | 21.7   | 21.7   | 20.5   | 22.1   | 22.2   | 21.4   | 21.2   | 21.6   | 21.0   |
|                 |            | 1             | 22        | 22.2                    | 22.3   | 22.3   | 21.4   | 21.6   | 20.9   | 21.9   | 22.2   | 21.9   | 21.2   | 21.4   | 21.0   |
|                 |            | 1             | 23        | 22.4                    | 22.3   | 22.3   | 21.7   | 21.6   | 20.7   | 21.9   | 21.8   | 21.8   | 21.1   | 21.3   | 21.0   |
|                 |            | 12            | 6         | 22.1                    | 22.2   | 22.1   | 21.4   | 21.4   | 20.7   | 21.7   | 22.1   | 22.0   | 21.4   | 21.5   | 20.9   |
|                 |            | 24            | 0         | 22.0                    | 22.2   | 22.1   | 21.4   | 21.5   | 20.8   | 21.6   | 22.1   | 21.7   | 21.4   | 21.4   | 21.0   |
| 256QAM          | 1          | 0             | 20.0      | 20.4                    | 19.9   | 19.1   | 19.6   | 19.0   | 19.8   | 20.1   | 19.9   | 19.4   | 20.1   | 19.2   |        |
|                 | 1          | 1             | 20.1      | 20.1                    | 20.3   | 19.1   | 19.1   | 18.7   | 19.6   | 19.9   | 19.8   | 19.6   | 19.6   | 19.3   |        |
|                 | 1          | 22            | 19.9      | 20.1                    | 20.3   | 19.1   | 19.2   | 19.0   | 19.6   | 20.5   | 20.0   | 19.2   | 19.5   | 18.9   |        |
|                 | 1          | 23            | 20.0      | 20.2                    | 20.3   | 19.1   | 19.2   | 18.7   | 20.0   | 19.8   | 20.0   | 19.3   | 20.1   | 19.0   |        |
|                 | 12         | 6             | 20.0      | 20.2                    | 20.1   | 19.4   | 19.4   | 18.8   | 19.6   | 20.1   | 20.0   | 19.5   | 19.6   | 18.9   |        |
|                 | 24         | 0             | 20.0      | 20.2                    | 20.1   | 19.3   | 19.4   | 18.8   | 19.7   | 20.1   | 19.9   | 19.3   | 19.5   | 19.1   |        |

**OUTPUT POWER FOR 5G NR n48 (15.0 MHz)**

| Bandwidth (MHz) | Modulation | RB Allocation | RB Offset | Conducted Average (dBm) |        |        |        |        |        |        |        |        |        |        |        |
|-----------------|------------|---------------|-----------|-------------------------|--------|--------|--------|--------|--------|--------|--------|--------|--------|--------|--------|
|                 |            |               |           | ANT 6                   |        |        | ANT 7  |        |        | ANT 1  |        |        | ANT 5  |        |        |
|                 |            |               |           | 637166                  | 641333 | 646166 | 637166 | 641333 | 646166 | 637166 | 641333 | 646166 | 637166 | 641333 | 646166 |
| 15.0            | BPSK       | 1             | 0         | 22.4                    | 22.8   | 22.6   | 22.2   | 22.2   | 21.8   | 22.4   | 22.6   | 22.3   | 22.2   | 22.4   | 21.9   |
|                 |            | 1             | 1         | 22.5                    | 22.8   | 22.5   | 22.2   | 22.2   | 21.9   | 22.4   | 22.4   | 22.4   | 22.3   | 22.4   | 21.9   |
|                 |            | 1             | 36        | 22.5                    | 22.8   | 22.6   | 22.1   | 22.3   | 21.8   | 22.4   | 22.5   | 22.5   | 22.3   | 22.3   | 21.9   |
|                 |            | 1             | 37        | 22.5                    | 22.7   | 22.5   | 22.2   | 22.2   | 21.8   | 22.4   | 22.5   | 22.4   | 22.2   | 22.4   | 22.0   |
|                 |            | 18            | 9         | 22.4                    | 22.8   | 22.5   | 22.0   | 22.3   | 21.8   | 22.3   | 22.6   | 22.5   | 22.3   | 22.4   | 22.0   |
|                 |            | 36            | 0         | 22.4                    | 22.9   | 22.6   | 22.1   | 22.3   | 21.9   | 22.2   | 22.7   | 22.3   | 22.3   | 22.5   | 22.0   |
|                 | QPSK       | 1             | 0         | 22.5                    | 22.8   | 22.6   | 22.1   | 22.2   | 21.9   | 22.2   | 22.8   | 22.3   | 22.3   | 22.4   | 21.9   |
|                 |            | 1             | 1         | 22.4                    | 22.7   | 22.6   | 22.2   | 22.2   | 21.9   | 22.4   | 22.7   | 22.4   | 22.3   | 22.5   | 21.9   |
|                 |            | 1             | 36        | 22.5                    | 22.8   | 22.6   | 22.1   | 22.2   | 21.9   | 22.4   | 22.5   | 22.5   | 22.4   | 22.3   | 21.9   |
|                 |            | 1             | 37        | 22.4                    | 22.8   | 22.5   | 22.1   | 22.2   | 21.9   | 22.3   | 22.6   | 22.4   | 22.2   | 22.2   | 21.9   |
|                 |            | 18            | 9         | 22.3                    | 22.8   | 22.5   | 22.2   | 22.3   | 21.8   | 22.3   | 22.6   | 22.4   | 22.2   | 22.5   | 22.0   |
|                 |            | 36            | 0         | 22.4                    | 22.8   | 22.6   | 22.1   | 22.2   | 21.9   | 22.2   | 22.6   | 22.5   | 22.3   | 22.4   | 21.9   |
|                 | 16QAM      | 1             | 0         | 22.3                    | 22.9   | 22.3   | 21.7   | 21.6   | 21.6   | 21.8   | 22.7   | 22.4   | 21.6   | 22.0   | 21.6   |
|                 |            | 1             | 1         | 22.2                    | 22.9   | 22.3   | 21.9   | 22.0   | 21.9   | 21.9   | 22.8   | 22.3   | 22.2   | 22.4   | 21.9   |
|                 |            | 1             | 36        | 22.2                    | 22.9   | 22.4   | 22.1   | 22.1   | 21.9   | 22.0   | 22.8   | 22.4   | 22.3   | 22.4   | 21.9   |
|                 |            | 1             | 37        | 22.2                    | 22.5   | 22.3   | 21.5   | 21.7   | 21.4   | 22.0   | 22.7   | 22.2   | 21.7   | 21.8   | 21.4   |
|                 |            | 18            | 9         | 22.4                    | 22.7   | 22.5   | 22.0   | 22.4   | 21.9   | 22.3   | 22.6   | 22.4   | 22.2   | 22.4   | 21.9   |
|                 |            | 36            | 0         | 22.3                    | 22.7   | 22.4   | 21.7   | 21.9   | 21.4   | 22.2   | 22.6   | 22.3   | 21.9   | 22.0   | 21.6   |
|                 | 64QAM      | 1             | 0         | 22.0                    | 22.3   | 21.8   | 21.1   | 21.6   | 20.5   | 21.8   | 22.3   | 21.4   | 21.6   | 21.9   | 21.0   |
|                 |            | 1             | 1         | 21.8                    | 22.0   | 21.8   | 21.5   | 21.5   | 20.8   | 21.5   | 21.7   | 21.6   | 21.4   | 21.6   | 20.8   |
|                 |            | 1             | 36        | 21.8                    | 21.9   | 22.0   | 21.4   | 21.5   | 20.5   | 21.5   | 22.2   | 22.1   | 21.3   | 21.2   | 20.9   |
|                 |            | 1             | 37        | 22.0                    | 22.4   | 21.9   | 21.3   | 21.5   | 20.9   | 21.6   | 22.1   | 22.0   | 21.6   | 21.5   | 20.8   |
|                 |            | 18            | 9         | 21.8                    | 22.1   | 21.9   | 21.1   | 21.3   | 21.0   | 21.7   | 22.1   | 21.8   | 21.3   | 21.5   | 20.9   |
|                 |            | 36            | 0         | 21.8                    | 22.2   | 21.9   | 21.2   | 21.4   | 20.9   | 21.8   | 22.1   | 21.7   | 21.3   | 21.5   | 21.0   |
| 256QAM          | 1          | 0             | 20.1      | 20.5                    | 19.9   | 19.5   | 19.3   | 18.9   | 19.5   | 20.1   | 20.0   | 19.7   | 19.5   | 18.9   |        |
|                 | 1          | 1             | 19.7      | 20.1                    | 20.1   | 19.4   | 19.5   | 19.1   | 19.8   | 19.9   | 19.8   | 19.3   | 19.6   | 18.9   |        |
|                 | 1          | 36            | 20.0      | 19.9                    | 20.1   | 19.3   | 19.6   | 19.0   | 19.6   | 20.1   | 19.7   | 19.4   | 19.3   | 18.9   |        |
|                 | 1          | 37            | 20.0      | 20.4                    | 20.0   | 19.4   | 19.3   | 18.8   | 19.6   | 20.1   | 19.8   | 19.7   | 19.5   | 19.2   |        |
|                 | 18         | 9             | 19.9      | 20.2                    | 19.8   | 19.3   | 19.3   | 19.0   | 19.7   | 20.0   | 19.8   | 19.3   | 19.5   | 19.0   |        |
|                 | 36         | 0             | 20.0      | 20.3                    | 19.9   | 19.2   | 19.3   | 19.0   | 19.7   | 20.1   | 19.8   | 19.4   | 19.5   | 18.9   |        |



**OUTPUT POWER FOR 5G NR n48 (40.0 MHz)**

| Bandwidth (MHz) | Modulation | RB Allocation | RB Offset | Conducted Average (dBm) |        |        |        |        |        |        |        |        |        |        |        |
|-----------------|------------|---------------|-----------|-------------------------|--------|--------|--------|--------|--------|--------|--------|--------|--------|--------|--------|
|                 |            |               |           | ANT 6                   |        |        | ANT 7  |        |        | ANT 1  |        |        | ANT 5  |        |        |
|                 |            |               |           | 638000                  | 641333 | 645333 | 638000 | 641333 | 645333 | 638000 | 641333 | 645333 | 638000 | 641333 | 645333 |
| 40.0            | BPSK       | 1             | 0         | 12.9                    | 20.7   | 12.9   | 11.8   | 19.6   | 11.9   | 13.2   | 20.5   | 12.5   | 12.2   | 21.7   | 11.2   |
|                 |            | 1             | 1         | 12.9                    | 20.7   | 13.0   | 11.8   | 19.6   | 11.8   | 13.2   | 20.3   | 12.5   | 12.2   | 21.6   | 11.8   |
|                 |            | 1             | 104       | 13.3                    | 20.6   | 13.1   | 12.0   | 19.4   | 11.8   | 13.2   | 20.2   | 12.8   | 12.1   | 21.4   | 11.7   |
|                 |            | 1             | 105       | 13.2                    | 20.6   | 13.0   | 12.0   | 19.5   | 11.9   | 13.2   | 20.3   | 12.8   | 12.0   | 21.7   | 11.7   |
|                 |            | 50            | 25        | 13.3                    | 22.9   | 13.1   | 12.0   | 21.9   | 11.9   | 13.2   | 22.4   | 12.8   | 12.2   | 21.7   | 11.6   |
|                 |            | 100           | 0         | 13.2                    | 20.2   | 13.2   | 12.0   | 19.0   | 12.0   | 13.2   | 19.9   | 12.7   | 12.2   | 21.6   | 11.5   |
|                 | QPSK       | 1             | 0         | 13.1                    | 20.8   | 13.0   | 11.9   | 19.6   | 11.7   | 13.0   | 20.5   | 12.8   | 12.0   | 21.5   | 11.5   |
|                 |            | 1             | 1         | 13.0                    | 20.8   | 13.1   | 11.9   | 19.5   | 11.8   | 13.0   | 20.4   | 12.7   | 12.1   | 21.7   | 11.6   |
|                 |            | 1             | 104       | 13.2                    | 20.7   | 13.2   | 12.0   | 19.4   | 11.7   | 12.9   | 20.2   | 12.9   | 11.9   | 21.8   | 11.5   |
|                 |            | 1             | 105       | 13.2                    | 20.7   | 13.2   | 12.1   | 19.5   | 11.8   | 12.9   | 20.3   | 13.0   | 11.9   | 21.7   | 11.4   |
|                 |            | 50            | 25        | 13.4                    | 22.9   | 13.1   | 12.0   | 21.9   | 12.2   | 13.2   | 22.6   | 12.8   | 12.2   | 21.6   | 11.7   |
|                 |            | 100           | 0         | 13.2                    | 20.3   | 13.2   | 12.0   | 19.0   | 12.1   | 13.2   | 19.9   | 12.8   | 12.2   | 21.6   | 11.6   |
|                 | 16QAM      | 1             | 0         | 12.6                    | 20.7   | 12.3   | 11.4   | 19.4   | 11.6   | 12.4   | 20.4   | 12.2   | 11.5   | 21.3   | 11.2   |
|                 |            | 1             | 1         | 12.9                    | 20.8   | 12.2   | 11.2   | 19.4   | 11.8   | 12.5   | 20.5   | 12.1   | 11.5   | 21.4   | 11.2   |
|                 |            | 1             | 104       | 12.8                    | 20.4   | 12.6   | 11.8   | 18.9   | 11.8   | 12.5   | 20.5   | 12.3   | 11.5   | 21.4   | 11.1   |
|                 |            | 1             | 105       | 12.7                    | 20.6   | 12.4   | 11.6   | 19.7   | 11.6   | 12.9   | 20.1   | 12.4   | 11.5   | 21.1   | 11.2   |
|                 |            | 50            | 25        | 12.9                    | 22.8   | 12.6   | 11.6   | 21.9   | 11.5   | 12.7   | 22.6   | 12.2   | 11.8   | 21.6   | 11.1   |
|                 |            | 100           | 0         | 12.8                    | 20.3   | 12.6   | 11.7   | 18.9   | 11.6   | 12.6   | 19.9   | 12.2   | 11.7   | 21.2   | 11.2   |
|                 | 64QAM      | 1             | 0         | 12.3                    | 20.6   | 12.4   | 11.3   | 19.6   | 11.5   | 12.6   | 20.5   | 11.9   | 11.8   | 20.6   | 11.1   |
|                 |            | 1             | 1         | 12.3                    | 20.7   | 12.5   | 11.5   | 19.8   | 11.4   | 12.9   | 20.7   | 12.1   | 11.9   | 20.8   | 11.2   |
|                 |            | 1             | 104       | 12.6                    | 20.4   | 12.6   | 11.6   | 19.3   | 11.5   | 13.0   | 20.3   | 12.4   | 11.8   | 20.7   | 11.1   |
|                 |            | 1             | 105       | 12.4                    | 20.5   | 12.6   | 11.6   | 19.4   | 11.3   | 12.8   | 20.2   | 12.5   | 11.7   | 20.6   | 11.0   |
|                 |            | 50            | 25        | 12.9                    | 22.3   | 12.7   | 11.6   | 21.0   | 11.6   | 12.6   | 22.1   | 12.3   | 11.8   | 20.6   | 11.2   |
|                 |            | 100           | 0         | 12.8                    | 20.3   | 12.6   | 11.5   | 19.0   | 11.6   | 12.8   | 20.0   | 12.2   | 11.8   | 20.6   | 11.1   |
|                 | 256QAM     | 1             | 0         | 12.6                    | 19.9   | 12.6   | 11.3   | 19.1   | 11.3   | 12.8   | 19.9   | 12.3   | 19.1   | 18.3   | 11.2   |
|                 |            | 1             | 1         | 12.7                    | 19.8   | 12.2   | 11.3   | 19.3   | 11.2   | 12.6   | 19.7   | 12.1   | 19.1   | 18.4   | 11.2   |
|                 |            | 1             | 104       | 12.8                    | 19.7   | 12.6   | 11.5   | 18.9   | 11.3   | 12.4   | 19.8   | 12.5   | 19.4   | 18.4   | 11.1   |
|                 |            | 1             | 105       | 12.8                    | 19.7   | 12.5   | 11.5   | 18.9   | 11.4   | 12.3   | 19.7   | 12.5   | 19.4   | 18.6   | 11.1   |
|                 |            | 50            | 25        | 12.8                    | 20.2   | 12.6   | 11.6   | 19.0   | 11.5   | 12.7   | 20.0   | 12.2   | 19.3   | 18.6   | 11.1   |
|                 |            | 100           | 0         | 12.9                    | 20.3   | 12.5   | 11.6   | 19.0   | 11.4   | 12.6   | 20.0   | 12.3   | 19.2   | 18.6   | 11.1   |



**OUTPUT POWER FOR LTE BAND 66 (5.0 MHz)**

| Bandwidth (MHz) | Modulation | RB Allocation | RB Offset | Conducted Average (dBm) |        |        |        |        |        |        |        |        |        |        |        |
|-----------------|------------|---------------|-----------|-------------------------|--------|--------|--------|--------|--------|--------|--------|--------|--------|--------|--------|
|                 |            |               |           | ANT 2                   |        |        | ANT 0  |        |        | ANT 1  |        |        | ANT 5  |        |        |
|                 |            |               |           | 131997                  | 132322 | 132647 | 131997 | 132322 | 132647 | 131997 | 132322 | 132647 | 131997 | 132322 | 132647 |
| 5.0             | QPSK       | 1             | 0         | 24.1                    | 24.2   | 24.2   | 23.0   | 23.1   | 23.3   | 24.4   | 24.3   | 24.3   | 23.7   | 23.6   | 23.8   |
|                 |            | 1             | 12        | 24.2                    | 24.2   | 24.2   | 23.0   | 23.1   | 23.3   | 24.4   | 24.4   | 24.4   | 23.6   | 23.7   | 23.7   |
|                 |            | 1             | 24        | 24.2                    | 24.2   | 24.2   | 23.1   | 23.2   | 23.4   | 24.4   | 24.4   | 24.4   | 23.7   | 23.7   | 23.7   |
|                 |            | 12            | 0         | 23.2                    | 23.2   | 23.3   | 22.1   | 22.2   | 22.4   | 23.3   | 23.3   | 23.4   | 22.7   | 22.7   | 22.8   |
|                 |            | 12            | 6         | 23.2                    | 23.2   | 23.2   | 22.1   | 22.2   | 22.4   | 23.3   | 23.3   | 23.4   | 22.7   | 22.7   | 22.8   |
|                 |            | 12            | 11        | 23.2                    | 23.2   | 23.3   | 22.0   | 22.1   | 22.3   | 23.3   | 23.3   | 23.4   | 22.7   | 22.7   | 22.7   |
|                 |            | 25            | 0         | 23.2                    | 23.2   | 23.3   | 22.1   | 22.2   | 22.4   | 23.4   | 23.3   | 23.4   | 22.7   | 22.7   | 22.7   |
|                 | 16QAM      | 1             | 0         | 23.5                    | 23.6   | 23.6   | 22.4   | 22.5   | 22.8   | 23.7   | 23.7   | 23.6   | 23.1   | 23.1   | 23.2   |
|                 |            | 1             | 12        | 23.6                    | 23.6   | 23.6   | 22.4   | 22.4   | 22.8   | 23.7   | 23.7   | 23.7   | 23.1   | 23.1   | 23.2   |
|                 |            | 1             | 24        | 23.6                    | 23.5   | 23.6   | 22.4   | 22.5   | 22.8   | 23.7   | 23.6   | 23.6   | 23.1   | 23.2   | 23.2   |
|                 |            | 12            | 0         | 22.2                    | 22.2   | 22.3   | 21.1   | 21.2   | 21.4   | 22.3   | 22.3   | 22.3   | 21.8   | 21.7   | 21.9   |
|                 |            | 12            | 6         | 22.2                    | 22.2   | 22.3   | 21.0   | 21.2   | 21.4   | 22.2   | 22.3   | 22.3   | 21.8   | 21.7   | 21.9   |
|                 |            | 12            | 11        | 22.2                    | 22.3   | 22.3   | 21.0   | 21.2   | 21.4   | 22.3   | 22.3   | 22.3   | 21.8   | 21.7   | 21.9   |
|                 |            | 25            | 0         | 22.3                    | 22.2   | 22.3   | 21.1   | 21.2   | 21.4   | 22.3   | 22.3   | 22.4   | 21.7   | 21.7   | 21.9   |
|                 | 64QAM      | 1             | 0         | 22.3                    | 22.4   | 22.3   | 21.4   | 21.3   | 21.4   | 22.4   | 22.4   | 22.4   | 21.8   | 21.7   | 22.0   |
|                 |            | 1             | 12        | 22.4                    | 22.4   | 22.2   | 21.3   | 21.3   | 21.4   | 22.4   | 22.4   | 22.3   | 21.8   | 21.7   | 22.0   |
|                 |            | 1             | 24        | 22.4                    | 22.4   | 22.3   | 21.4   | 21.4   | 21.5   | 22.5   | 22.5   | 22.5   | 21.8   | 21.8   | 22.0   |
|                 |            | 12            | 0         | 21.3                    | 21.2   | 21.3   | 20.1   | 20.2   | 20.2   | 21.3   | 21.3   | 21.4   | 20.7   | 20.8   | 20.8   |
|                 |            | 12            | 6         | 21.3                    | 21.2   | 21.3   | 20.1   | 20.2   | 20.2   | 21.4   | 21.3   | 21.4   | 20.7   | 20.7   | 20.8   |
|                 |            | 12            | 11        | 21.3                    | 21.2   | 21.3   | 20.1   | 20.2   | 20.2   | 21.4   | 21.2   | 21.4   | 20.7   | 20.7   | 20.8   |
|                 |            | 25            | 0         | 21.2                    | 21.3   | 21.3   | 20.1   | 20.2   | 20.3   | 21.4   | 21.3   | 21.4   | 20.7   | 20.7   | 20.8   |
|                 | 256QAM     | 1             | 0         | 19.2                    | 19.4   | 19.4   | 18.2   | 18.3   | 18.4   | 19.5   | 19.4   | 19.6   | 18.7   | 18.7   | 18.8   |
|                 |            | 1             | 12        | 19.3                    | 19.2   | 19.4   | 18.1   | 18.0   | 18.3   | 19.6   | 19.1   | 19.6   | 18.6   | 18.6   | 18.8   |
|                 |            | 1             | 24        | 19.2                    | 19.4   | 19.5   | 18.2   | 18.3   | 18.4   | 19.6   | 19.4   | 19.6   | 18.7   | 18.6   | 18.8   |
|                 |            | 12            | 0         | 19.3                    | 19.2   | 19.3   | 18.1   | 18.2   | 18.3   | 19.3   | 19.3   | 19.4   | 18.6   | 18.6   | 18.8   |
|                 |            | 12            | 6         | 19.3                    | 19.2   | 19.3   | 18.1   | 18.2   | 18.3   | 19.3   | 19.3   | 19.4   | 18.6   | 18.6   | 18.8   |
|                 |            | 12            | 11        | 19.3                    | 19.2   | 19.3   | 18.1   | 18.2   | 18.3   | 19.4   | 19.3   | 19.4   | 18.6   | 18.7   | 18.8   |
|                 |            | 25            | 0         | 19.2                    | 19.2   | 19.2   | 18.1   | 18.2   | 18.3   | 19.3   | 19.3   | 19.4   | 18.7   | 18.7   | 18.8   |

**OUTPUT POWER FOR LTE BAND 66 (10.0 MHz)**

| Bandwidth (MHz) | Modulation | RB Allocation | RB Offset | Conducted Average (dBm) |        |        |        |        |        |        |        |        |        |        |        |
|-----------------|------------|---------------|-----------|-------------------------|--------|--------|--------|--------|--------|--------|--------|--------|--------|--------|--------|
|                 |            |               |           | ANT 2                   |        |        | ANT 0  |        |        | ANT 1  |        |        | ANT 5  |        |        |
|                 |            |               |           | 132022                  | 132322 | 132622 | 132022 | 132322 | 132622 | 132022 | 132322 | 132622 | 132022 | 132322 | 132622 |
| 10.0            | QPSK       | 1             | 0         | 24.1                    | 24.1   | 24.2   | 23.2   | 23.2   | 23.4   | 24.4   | 24.3   | 24.4   | 23.8   | 23.8   | 23.9   |
|                 |            | 1             | 24        | 24.2                    | 24.1   | 24.2   | 23.1   | 23.1   | 23.4   | 24.4   | 24.5   | 24.4   | 23.8   | 24.0   | 24.0   |
|                 |            | 1             | 49        | 24.2                    | 24.1   | 24.2   | 23.2   | 23.2   | 23.4   | 24.4   | 24.3   | 24.4   | 23.7   | 23.8   | 23.8   |
|                 |            | 25            | 0         | 23.2                    | 23.2   | 23.3   | 22.1   | 22.2   | 22.4   | 23.4   | 23.3   | 23.3   | 22.7   | 22.8   | 22.9   |
|                 |            | 25            | 12        | 23.2                    | 23.2   | 23.3   | 22.1   | 22.2   | 22.4   | 23.4   | 23.3   | 23.4   | 22.7   | 22.8   | 22.9   |
|                 |            | 25            | 24        | 23.2                    | 23.2   | 23.3   | 22.1   | 22.1   | 22.3   | 23.3   | 23.3   | 23.3   | 22.7   | 22.8   | 22.8   |
|                 |            | 50            | 0         | 23.2                    | 23.2   | 23.2   | 22.1   | 22.2   | 22.4   | 23.3   | 23.3   | 23.3   | 22.7   | 22.8   | 22.9   |
|                 | 16QAM      | 1             | 0         | 23.3                    | 23.5   | 23.6   | 22.3   | 22.5   | 22.7   | 23.5   | 23.6   | 23.6   | 22.9   | 23.0   | 23.1   |
|                 |            | 1             | 24        | 23.3                    | 23.5   | 23.7   | 22.4   | 22.6   | 22.8   | 23.5   | 23.6   | 23.6   | 23.0   | 23.1   | 23.1   |
|                 |            | 1             | 49        | 23.2                    | 23.4   | 23.5   | 22.2   | 22.4   | 22.6   | 23.3   | 23.6   | 23.5   | 22.9   | 23.0   | 23.0   |
|                 |            | 25            | 0         | 22.2                    | 22.2   | 22.3   | 21.1   | 21.2   | 21.4   | 22.3   | 22.3   | 22.3   | 21.8   | 21.9   | 22.0   |
|                 |            | 25            | 12        | 22.2                    | 22.2   | 22.3   | 21.1   | 21.2   | 21.5   | 22.3   | 22.3   | 22.3   | 21.8   | 21.9   | 21.9   |
|                 |            | 25            | 24        | 22.2                    | 22.2   | 22.3   | 21.1   | 21.2   | 21.4   | 22.4   | 22.3   | 22.3   | 21.8   | 21.8   | 21.9   |
|                 |            | 50            | 0         | 22.2                    | 22.2   | 22.2   | 21.1   | 21.2   | 21.4   | 22.3   | 22.3   | 22.3   | 21.8   | 21.9   | 21.9   |
|                 | 64QAM      | 1             | 0         | 22.4                    | 22.5   | 22.5   | 21.3   | 21.3   | 21.4   | 22.3   | 22.5   | 22.6   | 22.0   | 21.9   | 22.3   |
|                 |            | 1             | 24        | 22.6                    | 22.5   | 22.4   | 21.3   | 21.4   | 21.5   | 22.5   | 22.5   | 22.5   | 22.0   | 22.1   | 22.2   |
|                 |            | 1             | 49        | 22.4                    | 22.5   | 22.5   | 21.1   | 21.4   | 21.4   | 22.3   | 22.5   | 22.6   | 22.0   | 21.9   | 22.1   |
|                 |            | 25            | 0         | 21.3                    | 21.3   | 21.3   | 20.1   | 20.2   | 20.4   | 21.4   | 21.4   | 21.3   | 20.7   | 20.8   | 20.8   |
|                 |            | 25            | 12        | 21.3                    | 21.3   | 21.3   | 20.1   | 20.2   | 20.4   | 21.4   | 21.3   | 21.3   | 20.7   | 20.8   | 20.8   |
|                 |            | 25            | 24        | 21.3                    | 21.3   | 21.3   | 20.1   | 20.2   | 20.4   | 21.4   | 21.4   | 21.3   | 20.7   | 20.8   | 20.8   |
|                 |            | 50            | 0         | 21.2                    | 21.3   | 21.3   | 20.1   | 20.2   | 20.4   | 21.3   | 21.3   | 21.3   | 20.7   | 20.8   | 20.8   |
|                 | 256QAM     | 1             | 0         | 19.1                    | 19.4   | 19.5   | 18.4   | 18.6   | 18.6   | 19.4   | 19.6   | 19.7   | 18.9   | 19.1   | 19.0   |
|                 |            | 1             | 24        | 19.1                    | 19.4   | 19.5   | 18.2   | 18.6   | 18.5   | 19.4   | 19.7   | 19.8   | 18.9   | 19.0   | 18.9   |
|                 |            | 1             | 49        | 19.0                    | 19.5   | 19.5   | 18.3   | 18.6   | 18.6   | 19.4   | 19.6   | 19.7   | 18.9   | 19.0   | 19.0   |
|                 |            | 25            | 0         | 19.3                    | 19.3   | 19.3   | 18.2   | 18.3   | 18.4   | 19.4   | 19.4   | 19.4   | 18.8   | 18.8   | 18.9   |
|                 |            | 25            | 12        | 19.3                    | 19.3   | 19.3   | 18.2   | 18.3   | 18.4   | 19.4   | 19.4   | 19.4   | 18.7   | 18.8   | 18.9   |
|                 |            | 25            | 24        | 19.3                    | 19.3   | 19.3   | 18.1   | 18.3   | 18.4   | 19.4   | 19.4   | 19.4   | 18.7   | 18.8   | 18.8   |
|                 |            | 50            | 0         | 19.2                    | 19.2   | 19.2   | 18.1   | 18.2   | 18.4   | 19.3   | 19.3   | 19.4   | 18.7   | 18.8   | 18.8   |

**OUTPUT POWER FOR LTE BAND 66 (15.0 MHz)**

| Bandwidth (MHz) | Modulation | RB Allocation | RB Offset | Conducted Average (dBm) |             |             |        |        |             |             |             |        |        |        |             |      |
|-----------------|------------|---------------|-----------|-------------------------|-------------|-------------|--------|--------|-------------|-------------|-------------|--------|--------|--------|-------------|------|
|                 |            |               |           | ANT 2                   |             |             | ANT 0  |        |             | ANT 1       |             |        | ANT 5  |        |             |      |
|                 |            |               |           | 132047                  | 132322      | 132597      | 132047 | 132322 | 132597      | 132047      | 132322      | 132597 | 132047 | 132322 | 132597      |      |
| 15.0            | QPSK       | 1             | 0         | 24.2                    | 24.2        | <b>24.3</b> | 23.2   | 23.2   | <b>23.4</b> | 24.4        | 24.3        | 24.4   | 23.8   | 23.8   | <b>23.9</b> |      |
|                 |            | 1             | 37        | 24.1                    | 24.2        | 24.1        | 23.0   | 23.0   | <b>23.2</b> | 24.2        | <b>24.4</b> | 24.2   | 23.6   | 23.8   | 23.9        |      |
|                 |            | 1             | 74        | 24.2                    | 24.1        | 24.2        | 23.1   | 23.2   | 23.3        | 24.3        | 24.3        | 24.3   | 23.7   | 23.7   | 23.7        |      |
|                 |            | 36            | 0         | 23.2                    | 23.1        | 23.2        | 22.2   | 22.2   | 22.4        | 23.4        | 23.3        | 23.4   | 22.7   | 22.7   | 22.7        |      |
|                 |            | 36            | 16        | 23.2                    | 23.1        | 23.2        | 22.2   | 22.2   | 22.2        | 22.3        | 23.4        | 23.3   | 23.4   | 22.7   | 22.7        | 22.7 |
|                 |            | 36            | 35        | 23.2                    | 23.1        | 23.2        | 22.2   | 22.2   | 22.3        | 23.4        | 23.3        | 23.4   | 22.6   | 22.7   | 22.7        | 22.7 |
|                 |            | 75            | 0         | 23.2                    | 23.2        | 23.2        | 22.2   | 22.2   | 22.3        | 23.4        | 23.4        | 23.4   | 22.7   | 22.7   | 22.7        | 22.7 |
|                 | 16QAM      | 1             | 0         | 23.4                    | 23.5        | 23.5        | 22.4   | 22.6   | <b>22.8</b> | 23.6        | 23.5        | 23.6   | 22.9   | 23.2   | <b>23.2</b> |      |
|                 |            | 1             | 37        | 23.5                    | 23.5        | <b>23.5</b> | 22.3   | 22.5   | 22.6        | <b>23.7</b> | 23.5        | 23.6   | 22.9   | 23.2   | 23.1        |      |
|                 |            | 1             | 74        | 23.4                    | 23.4        | 23.4        | 22.4   | 22.5   | 22.7        | 23.6        | 23.4        | 23.5   | 22.8   | 23.1   | 23.1        |      |
|                 |            | 36            | 0         | 22.2                    | 22.2        | 22.2        | 21.2   | 21.2   | 21.3        | 22.3        | 22.3        | 22.3   | 21.7   | 21.8   | 21.8        |      |
|                 |            | 36            | 16        | 22.2                    | 22.2        | 22.2        | 21.1   | 21.2   | 21.3        | 22.3        | 22.3        | 22.3   | 21.7   | 21.8   | 21.7        |      |
|                 |            | 36            | 35        | 22.2                    | 22.2        | 22.2        | 21.1   | 21.2   | 21.3        | 22.3        | 22.3        | 22.3   | 21.7   | 21.7   | 21.8        |      |
|                 |            | 75            | 0         | 22.2                    | 22.2        | 22.2        | 21.1   | 21.2   | 21.3        | 22.3        | 22.3        | 22.3   | 21.7   | 21.8   | 21.8        |      |
|                 | 64QAM      | 1             | 0         | 22.5                    | <b>22.6</b> | 22.6        | 21.3   | 21.3   | <b>21.6</b> | 22.6        | 22.7        | 22.6   | 21.9   | 21.9   | <b>22.0</b> |      |
|                 |            | 1             | 37        | 22.6                    | 22.6        | 22.5        | 21.0   | 21.4   | 21.4        | 22.5        | <b>22.7</b> | 22.6   | 21.9   | 21.8   | 21.9        |      |
|                 |            | 1             | 74        | 22.4                    | 22.6        | 22.6        | 21.3   | 21.4   | <b>21.6</b> | 22.6        | 22.6        | 22.5   | 21.9   | 21.8   | 21.8        |      |
|                 |            | 36            | 0         | 21.2                    | 21.2        | 21.2        | 20.1   | 20.3   | 20.4        | 21.3        | 21.4        | 21.3   | 20.8   | 20.8   | 20.9        |      |
|                 |            | 36            | 16        | 21.2                    | 21.2        | 21.2        | 20.1   | 20.3   | 20.3        | 21.3        | 21.4        | 21.3   | 20.8   | 20.8   | 20.9        |      |
|                 |            | 36            | 35        | 21.2                    | 21.2        | 21.2        | 20.1   | 20.2   | 20.3        | 21.3        | 21.4        | 21.3   | 20.8   | 20.8   | 20.8        |      |
|                 |            | 75            | 0         | 21.2                    | 21.2        | 21.2        | 20.1   | 20.2   | 20.3        | 21.3        | 21.3        | 21.3   | 20.7   | 20.8   | 20.8        |      |
|                 | 256QAM     | 1             | 0         | 19.4                    | 19.5        | 19.4        | 18.3   | 18.5   | <b>18.5</b> | 19.4        | <b>19.7</b> | 19.4   | 19.1   | 18.9   | <b>19.2</b> |      |
|                 |            | 1             | 37        | 19.4                    | 19.4        | 19.4        | 18.2   | 18.5   | 18.4        | 19.5        | 19.6        | 19.4   | 19.0   | 18.9   | 18.9        |      |
|                 |            | 1             | 74        | 19.4                    | <b>19.5</b> | 19.3        | 18.2   | 18.4   | <b>18.5</b> | 19.4        | 19.7        | 19.4   | 19.0   | 18.9   | 19.0        |      |
|                 |            | 36            | 0         | 19.3                    | 19.2        | 19.2        | 18.1   | 18.2   | 18.3        | 19.4        | 19.4        | 19.3   | 18.7   | 18.8   | 18.9        |      |
|                 |            | 36            | 16        | 19.3                    | 19.2        | 19.2        | 18.0   | 18.2   | 18.3        | 19.4        | 19.4        | 19.3   | 18.7   | 18.8   | 18.8        |      |
|                 |            | 36            | 35        | 19.2                    | 19.2        | 19.2        | 18.0   | 18.1   | 18.3        | 19.4        | 19.4        | 19.3   | 18.7   | 18.8   | 18.8        |      |
|                 |            | 75            | 0         | 19.2                    | 19.2        | 19.2        | 18.1   | 18.1   | 18.3        | 19.4        | 19.4        | 19.3   | 18.7   | 18.8   | 18.8        |      |

**OUTPUT POWER FOR LTE BAND 66 (20.0 MHz)**

| Bandwidth (MHz) | Modulation | RB Allocation | RB Offset | Conducted Average (dBm) |             |             |        |             |             |             |             |             |        |             |             |
|-----------------|------------|---------------|-----------|-------------------------|-------------|-------------|--------|-------------|-------------|-------------|-------------|-------------|--------|-------------|-------------|
|                 |            |               |           | ANT 2                   |             |             | ANT 0  |             |             | ANT 1       |             |             | ANT 5  |             |             |
|                 |            |               |           | 132072                  | 132322      | 132572      | 132072 | 132322      | 132572      | 132072      | 132322      | 132572      | 132072 | 132322      | 132572      |
| 20.0            | QPSK       | 1             | 0         | 24.2                    | 24.2        | 24.2        | 23.1   | 23.2        | <b>23.4</b> | 24.4        | 24.4        | 24.4        | 23.8   | 23.8        | 23.9        |
|                 |            | 1             | 49        | <b>24.4</b>             | 23.8        | 24.3        | 23.3   | 23.3        | <b>23.4</b> | 23.9        | 24.0        | <b>24.6</b> | 23.3   | <b>24.0</b> | 23.7        |
|                 |            | 1             | 99        | 24.1                    | 24.1        | 24.1        | 23.1   | 23.1        | 23.3        | 24.3        | 24.3        | 24.3        | 23.7   | 23.7        | 23.7        |
|                 |            | 50            | 0         | 23.2                    | 23.2        | 23.2        | 22.1   | 22.2        | 22.4        | 23.3        | 23.3        | 23.3        | 22.7   | 22.8        | 22.8        |
|                 |            | 50            | 24        | 23.2                    | 23.2        | 23.2        | 22.1   | 22.1        | 22.3        | 23.3        | 23.3        | 23.3        | 22.7   | 22.8        | 22.8        |
|                 |            | 50            | 49        | 23.2                    | 23.2        | 23.2        | 22.1   | 22.1        | 22.3        | 23.3        | 23.3        | 23.3        | 22.7   | 22.8        | 22.8        |
|                 |            | 100           | 0         | 23.2                    | 23.2        | 23.2        | 22.1   | 22.1        | 22.3        | 23.3        | 23.3        | 23.3        | 22.7   | 22.8        | 22.8        |
|                 | 16QAM      | 1             | 0         | 23.5                    | 23.6        | <b>23.7</b> | 22.5   | 22.7        | <b>22.8</b> | <b>23.8</b> | 23.6        | 23.7        | 23.1   | 23.1        | <b>23.1</b> |
|                 |            | 1             | 49        | 23.4                    | 23.6        | 23.5        | 22.4   | 22.6        | 22.7        | 23.7        | 23.5        | 23.6        | 23.0   | 22.9        | 23.1        |
|                 |            | 1             | 99        | 23.6                    | 23.6        | 23.6        | 22.4   | 22.6        | 22.7        | 23.8        | 23.6        | 23.6        | 23.0   | 23.0        | 22.9        |
|                 |            | 50            | 0         | 22.2                    | 22.2        | 22.2        | 21.1   | 21.2        | 21.3        | 22.3        | 22.3        | 22.2        | 21.8   | 21.8        | 21.9        |
|                 |            | 50            | 24        | 22.2                    | 22.2        | 22.2        | 21.1   | 21.1        | 21.3        | 22.3        | 22.3        | 22.2        | 21.7   | 21.8        | 21.8        |
|                 |            | 50            | 49        | 22.1                    | 22.2        | 22.1        | 21.0   | 21.1        | 21.3        | 22.3        | 22.3        | 22.2        | 21.8   | 21.8        | 21.8        |
|                 |            | 100           | 0         | 22.2                    | 22.2        | 22.2        | 21.1   | 21.2        | 21.4        | 22.3        | 22.3        | 22.3        | 21.8   | 21.8        | 21.8        |
|                 | 64QAM      | 1             | 0         | 22.5                    | 22.4        | 22.5        | 21.4   | 21.4        | 21.6        | 22.5        | 22.6        | 22.5        | 22.2   | <b>22.4</b> | 22.3        |
|                 |            | 1             | 49        | 22.4                    | <b>22.6</b> | 22.4        | 21.4   | 21.5        | <b>21.7</b> | 22.5        | <b>22.6</b> | 22.4        | 22.3   | <b>22.4</b> | 22.2        |
|                 |            | 1             | 99        | 22.4                    | 22.5        | 22.4        | 21.3   | 21.4        | 21.5        | 22.5        | 22.5        | 22.4        | 22.2   | 22.4        | 22.0        |
|                 |            | 50            | 0         | 21.3                    | 21.3        | 21.2        | 20.1   | 20.3        | 20.4        | 21.3        | 21.3        | 21.3        | 20.8   | 20.9        | 20.9        |
|                 |            | 50            | 24        | 21.3                    | 21.3        | 21.2        | 20.1   | 20.3        | 20.4        | 21.3        | 21.3        | 21.3        | 20.7   | 20.9        | 20.8        |
|                 |            | 50            | 49        | 21.2                    | 21.3        | 21.2        | 20.1   | 20.2        | 20.4        | 21.4        | 21.3        | 21.3        | 20.7   | 20.8        | 20.8        |
|                 |            | 100           | 0         | 21.2                    | 21.3        | 21.2        | 20.1   | 20.2        | 20.4        | 21.3        | 21.3        | 21.3        | 20.7   | 20.9        | 20.8        |
|                 | 256QAM     | 1             | 0         | 19.6                    | 19.3        | 19.4        | 18.3   | <b>18.5</b> | 18.5        | 19.5        | 19.5        | 19.3        | 19.1   | <b>19.1</b> | 18.9        |
|                 |            | 1             | 49        | <b>19.7</b>             | 19.4        | 19.5        | 18.1   | 18.5        | 18.3        | 19.7        | <b>19.8</b> | 19.5        | 19.0   | 18.9        | 18.9        |
|                 |            | 1             | 99        | 19.5                    | 19.3        | 19.3        | 18.1   | 18.5        | 18.4        | 19.6        | 19.6        | 19.3        | 19.1   | 19.1        | 18.7        |
|                 |            | 50            | 0         | 19.2                    | 19.1        | 19.2        | 18.1   | 18.2        | 18.4        | 19.3        | 19.3        | 19.3        | 18.7   | 18.8        | 18.9        |
|                 |            | 50            | 24        | 19.2                    | 19.2        | 19.2        | 18.1   | 18.2        | 18.3        | 19.3        | 19.3        | 19.3        | 18.7   | 18.8        | 18.8        |
|                 |            | 50            | 49        | 19.2                    | 19.2        | 19.2        | 18.1   | 18.2        | 18.4        | 19.4        | 19.3        | 19.3        | 18.7   | 18.8        | 18.8        |
|                 |            | 100           | 0         | 19.2                    | 19.2        | 19.2        | 18.1   | 18.2        | 18.4        | 19.4        | 19.4        | 19.3        | 18.7   | 18.8        | 18.8        |









**OUTPUT POWER FOR 5G NR n66 (40.0 MHz)**

| Bandwidth (MHz) | Modulation | RB Allocation | RB Offset | Conducted Average (dBm) |        |        |        |        |        |        |        |        |        |        |        |
|-----------------|------------|---------------|-----------|-------------------------|--------|--------|--------|--------|--------|--------|--------|--------|--------|--------|--------|
|                 |            |               |           | ANT 2                   |        |        | ANT 0  |        |        | ANT 1  |        |        | ANT 5  |        |        |
|                 |            |               |           | 346000                  | 349000 | 352000 | 346000 | 349000 | 352000 | 346000 | 349000 | 352000 | 346000 | 349000 | 352000 |
| 40.0            | BPSK       | 1             | 0         | 24.2                    | 24.1   | 24.2   | 23.0   | 23.1   | 23.1   | 23.9   | 23.8   | 23.8   | 23.3   | 23.1   | 23.2   |
|                 |            | 1             | 1         | 24.7                    | 24.7   | 24.7   | 23.6   | 23.6   | 23.7   | 24.4   | 24.3   | 24.5   | 23.9   | 23.6   | 23.8   |
|                 |            | 1             | 214       | 24.7                    | 24.6   | 24.5   | 23.7   | 23.6   | 23.5   | 24.5   | 24.4   | 24.4   | 23.8   | 23.6   | 23.7   |
|                 |            | 1             | 215       | 24.2                    | 24.0   | 23.9   | 23.2   | 23.1   | 23.0   | 24.0   | 23.9   | 23.8   | 23.2   | 23.1   | 23.2   |
|                 |            | 108           | 54        | 24.7                    | 24.7   | 24.6   | 23.7   | 23.7   | 23.6   | 24.4   | 24.5   | 24.4   | 23.7   | 23.7   | 23.6   |
|                 |            | 216           | 0         | 24.1                    | 24.2   | 24.1   | 23.2   | 23.2   | 23.1   | 23.9   | 24.0   | 23.8   | 23.2   | 23.2   | 23.2   |
|                 | QPSK       | 1             | 0         | 23.8                    | 23.6   | 23.7   | 22.5   | 22.5   | 22.6   | 23.3   | 23.3   | 23.4   | 22.7   | 22.7   | 22.7   |
|                 |            | 1             | 1         | 24.6                    | 24.6   | 24.7   | 23.5   | 23.5   | 23.7   | 24.4   | 24.4   | 24.3   | 23.7   | 23.7   | 23.7   |
|                 |            | 1             | 214       | 24.8                    | 24.6   | 24.5   | 23.7   | 23.4   | 23.4   | 24.4   | 24.4   | 24.3   | 23.7   | 23.6   | 23.7   |
|                 |            | 1             | 215       | 23.6                    | 23.5   | 23.4   | 22.6   | 22.5   | 22.3   | 23.3   | 23.4   | 23.2   | 22.6   | 22.7   | 22.6   |
|                 |            | 108           | 54        | 24.7                    | 24.7   | 24.5   | 23.7   | 23.6   | 23.4   | 24.3   | 24.4   | 24.2   | 23.7   | 23.7   | 23.7   |
|                 |            | 216           | 0         | 23.7                    | 23.7   | 23.6   | 22.7   | 22.6   | 22.6   | 23.3   | 23.4   | 23.3   | 22.7   | 22.7   | 22.7   |
|                 | 16QAM      | 1             | 0         | 22.7                    | 22.1   | 22.3   | 21.6   | 21.6   | 21.7   | 22.4   | 22.7   | 22.1   | 21.7   | 22.0   | 21.4   |
|                 |            | 1             | 1         | 23.5                    | 23.2   | 24.2   | 22.3   | 22.8   | 22.6   | 23.3   | 23.3   | 23.6   | 22.8   | 22.6   | 22.5   |
|                 |            | 1             | 214       | 23.6                    | 23.6   | 23.3   | 22.4   | 22.4   | 22.1   | 23.1   | 23.3   | 23.6   | 22.7   | 22.8   | 22.8   |
|                 |            | 1             | 215       | 23.0                    | 22.7   | 22.9   | 21.2   | 21.3   | 21.3   | 22.2   | 22.7   | 22.3   | 21.7   | 21.6   | 21.7   |
|                 |            | 108           | 54        | 23.7                    | 23.7   | 23.6   | 22.7   | 22.6   | 22.5   | 23.3   | 23.5   | 23.3   | 22.6   | 22.7   | 22.6   |
|                 |            | 216           | 0         | 22.7                    | 22.7   | 22.7   | 21.7   | 21.5   | 21.5   | 22.3   | 22.4   | 22.3   | 21.7   | 21.7   | 21.7   |
|                 | 64QAM      | 1             | 0         | 22.1                    | 22.2   | 22.1   | 21.1   | 20.9   | 21.4   | 21.8   | 21.8   | 21.5   | 21.1   | 21.2   | 21.3   |
|                 |            | 1             | 1         | 22.4                    | 22.0   | 22.4   | 21.1   | 21.2   | 20.9   | 21.8   | 22.0   | 21.9   | 21.6   | 21.3   | 21.1   |
|                 |            | 1             | 214       | 22.0                    | 22.4   | 22.2   | 20.7   | 20.8   | 21.1   | 21.6   | 21.6   | 21.5   | 21.4   | 21.1   | 21.2   |
|                 |            | 1             | 215       | 22.1                    | 21.7   | 21.8   | 20.7   | 20.9   | 21.3   | 21.9   | 22.0   | 21.5   | 20.9   | 21.3   | 20.9   |
|                 |            | 108           | 54        | 22.2                    | 22.2   | 22.0   | 21.2   | 21.0   | 21.1   | 21.8   | 21.8   | 21.7   | 21.2   | 21.2   | 21.1   |
|                 |            | 216           | 0         | 22.2                    | 22.2   | 22.0   | 21.1   | 21.0   | 21.0   | 21.8   | 21.8   | 21.8   | 21.1   | 21.2   | 21.0   |
|                 | 256QAM     | 1             | 0         | 20.4                    | 19.9   | 20.3   | 19.0   | 19.1   | 19.1   | 19.7   | 19.7   | 19.5   | 19.3   | 19.3   | 19.1   |
|                 |            | 1             | 1         | 20.1                    | 20.2   | 20.3   | 19.3   | 19.1   | 19.0   | 19.9   | 19.9   | 19.7   | 19.0   | 19.5   | 19.2   |
|                 |            | 1             | 214       | 20.0                    | 19.9   | 20.1   | 19.0   | 19.1   | 18.9   | 19.8   | 20.1   | 19.8   | 19.3   | 19.2   | 19.3   |
|                 |            | 1             | 215       | 20.0                    | 19.8   | 20.0   | 19.0   | 19.1   | 19.0   | 20.2   | 19.7   | 20.0   | 19.5   | 19.1   | 19.3   |
|                 |            | 108           | 54        | 20.3                    | 20.2   | 20.1   | 19.1   | 19.1   | 19.0   | 19.8   | 19.8   | 19.8   | 19.1   | 19.2   | 19.1   |
|                 |            | 216           | 0         | 20.2                    | 20.1   | 20.1   | 19.1   | 19.1   | 19.0   | 19.9   | 19.8   | 19.8   | 19.1   | 19.1   | 19.1   |

### 8.15. 5G NR n70

|                   |         |            |            |
|-------------------|---------|------------|------------|
| Test Engineer ID: | 28498AC | Test Date: | 2024-02-13 |
|-------------------|---------|------------|------------|

#### OUTPUT POWER FOR 5G NR n70 (5.0 MHz)

| Bandwidth (MHz) | Modulation | RB Allocation | RB Offset | Conducted Average (dBm) |             |             |             |        |             |
|-----------------|------------|---------------|-----------|-------------------------|-------------|-------------|-------------|--------|-------------|
|                 |            |               |           | ANT 2                   |             |             | ANT 0       |        |             |
|                 |            |               |           | 339500                  | 340500      | 341500      | 339500      | 340500 | 341500      |
| 5.0             | BPSK       | 1             | 0         | 24.6                    | 24.3        | 24.5        | 22.5        | 23.2   | 23.5        |
|                 |            | 1             | 1         | 24.4                    | 24.8        | 24.4        | 23.4        | 23.1   | 23.9        |
|                 |            | 1             | 23        | 24.2                    | 24.25       | <b>25.0</b> | 23.8        | 23.0   | 24.6        |
|                 |            | 1             | 24        | 24.6                    | 24.4        | 24.6        | 24.1        | 23.8   | 23.9        |
|                 |            | 12            | 6         | 24.9                    | 24.9        | 24.8        | <b>24.9</b> | 24.1   | 23.9        |
|                 |            | 25            | 0         | 24.4                    | 24.3        | 24.5        | 23.8        | 24.7   | 24.8        |
|                 | QPSK       | 1             | 0         | 24.3                    | 23.6        | 23.9        | 23.4        | 22.9   | 22.7        |
|                 |            | 1             | 1         | 24.4                    | 24.8        | 24.9        | 24.4        | 24.0   | 24.5        |
|                 |            | 1             | 23        | 24.8                    | 24.8        | 24.9        | 24.3        | 24.0   | 24.6        |
|                 |            | 1             | 24        | 23.9                    | 23.7        | 23.8        | 23.3        | 22.9   | 23.2        |
|                 |            | 12            | 6         | <b>25.0</b>             | 24.8        | 24.9        | 24.6        | 24.1   | <b>24.9</b> |
|                 |            | 25            | 0         | 23.9                    | 23.8        | 24.0        | 23.3        | 23.3   | 24.3        |
|                 | 16QAM      | 1             | 0         | 23.1                    | 23.2        | 22.8        | 22.8        | 21.9   | 21.7        |
|                 |            | 1             | 1         | 23.7                    | 23.6        | 23.6        | 23.4        | 22.9   | <b>24.1</b> |
|                 |            | 1             | 23        | 23.8                    | 23.7        | 23.7        | 22.8        | 23.2   | 22.9        |
|                 |            | 1             | 24        | 22.3                    | 22.8        | 22.7        | 22.7        | 22.2   | 22.9        |
|                 |            | 12            | 6         | 23.9                    | <b>24.0</b> | 23.9        | 23.6        | 23.4   | 22.9        |
|                 |            | 25            | 0         | 22.9                    | 22.9        | 23.0        | 22.9        | 22.2   | 22.3        |
|                 | 64QAM      | 1             | 0         | 22.5                    | 22.3        | 22.3        | 21.8        | 21.5   | 21.9        |
|                 |            | 1             | 1         | 22.7                    | 21.9        | 22.3        | 22.0        | 22.0   | 21.6        |
|                 |            | 1             | 23        | 22.6                    | 22.4        | <b>22.7</b> | 21.7        | 22.0   | 21.8        |
|                 |            | 1             | 24        | 22.5                    | 22.6        | 22.3        | 21.7        | 21.8   | <b>22.4</b> |
|                 |            | 12            | 6         | 22.3                    | 22.6        | 22.4        | 22.3        | 21.9   | 20.8        |
|                 |            | 25            | 0         | 22.4                    | 22.4        | 22.5        | 21.8        | 21.6   | 21.9        |
|                 | 256QAM     | 1             | 0         | 20.1                    | 20.3        | 20.1        | 19.6        | 19.9   | <b>20.5</b> |
|                 |            | 1             | 1         | 19.8                    | 20.3        | 20.9        | 19.7        | 20.0   | 19.8        |
|                 |            | 1             | 23        | 20.7                    | 20.0        | 19.9        | 19.5        | 19.7   | 19.3        |
|                 |            | 1             | 24        | 20.5                    | 20.0        | <b>21.0</b> | 20.1        | 20.1   | 19.6        |
|                 |            | 12            | 6         | 20.3                    | 20.3        | 20.4        | 19.8        | 19.9   | 20.2        |
|                 |            | 25            | 0         | 20.4                    | 20.3        | 19.9        | 19.8        | 19.8   | 19.9        |

#### OUTPUT POWER FOR 5G NR n70 (10.0 MHz)

| Bandwidth (MHz) | Modulation | RB Allocation | RB Offset | Conducted Average (dBm) |             |             |        |             |             |
|-----------------|------------|---------------|-----------|-------------------------|-------------|-------------|--------|-------------|-------------|
|                 |            |               |           | ANT 2                   |             |             | ANT 0  |             |             |
|                 |            |               |           | 340000                  | 340500      | 341000      | 340000 | 340500      | 341000      |
| 10.0            | BPSK       | 1             | 0         | 24.7                    | 24.5        | 24.4        | 22.9   | 23.9        | 23.8        |
|                 |            | 1             | 1         | 24.2                    | 24.7        | 24.9        | 23.5   | <b>24.5</b> | 24.4        |
|                 |            | 1             | 50        | 24.9                    | 24.9        | <b>25.0</b> | 23.5   | 24.4        | 24.3        |
|                 |            | 1             | 51        | 24.5                    | 24.5        | 24.4        | 23.2   | 24.0        | 23.9        |
|                 |            | 25            | 12        | 24.9                    | 24.9        | 24.8        | 23.3   | 24.4        | 24.4        |
|                 |            | 50            | 0         | 24.5                    | 24.4        | 24.4        | 23.0   | 23.9        | 23.8        |
|                 | QPSK       | 1             | 0         | 23.9                    | 23.8        | 23.8        | 23.6   | 23.5        | 23.2        |
|                 |            | 1             | 1         | 24.9                    | 24.8        | 24.8        | 24.2   | <b>24.5</b> | 24.4        |
|                 |            | 1             | 50        | 24.8                    | 24.8        | <b>24.9</b> | 24.4   | 24.3        | 24.3        |
|                 |            | 1             | 51        | 24.0                    | 23.8        | 24.0        | 23.4   | 23.5        | 23.4        |
|                 |            | 25            | 12        | 24.9                    | 24.9        | 24.9        | 24.2   | 24.3        | 24.4        |
|                 |            | 50            | 0         | 23.8                    | 23.9        | 23.9        | 23.3   | 23.4        | 23.4        |
|                 | 16QAM      | 1             | 0         | 23.1                    | 23.1        | 22.7        | 22.7   | 22.2        | 21.9        |
|                 |            | 1             | 1         | <b>24.1</b>             | 23.8        | 23.6        | 23.3   | 23.1        | 23.4        |
|                 |            | 1             | 50        | 24.0                    | 24.0        | 24.1        | 23.2   | <b>23.7</b> | 23.3        |
|                 |            | 1             | 51        | 23.3                    | 22.8        | 23.2        | 22.2   | 22.3        | 22.3        |
|                 |            | 25            | 12        | 23.9                    | 23.9        | 23.9        | 23.3   | 23.5        | 23.4        |
|                 |            | 50            | 0         | 22.8                    | 22.9        | 22.8        | 22.4   | 22.4        | 22.4        |
|                 | 64QAM      | 1             | 0         | 22.6                    | 22.2        | 22.6        | 21.8   | 21.6        | 22.0        |
|                 |            | 1             | 1         | 22.9                    | 22.1        | 22.7        | 21.8   | 22.0        | <b>22.4</b> |
|                 |            | 1             | 50        | 22.6                    | <b>22.9</b> | 22.4        | 21.9   | 21.7        | 21.4        |
|                 |            | 1             | 51        | 22.5                    | 22.4        | 22.3        | 22.3   | 21.6        | 21.4        |
|                 |            | 25            | 12        | 22.4                    | 22.4        | 22.5        | 21.8   | 21.9        | 21.9        |
|                 |            | 50            | 0         | 22.3                    | 22.5        | 22.4        | 21.8   | 21.9        | 21.8        |
|                 | 256QAM     | 1             | 0         | 20.2                    | 20.4        | 20.1        | 19.9   | 20.0        | 19.6        |
|                 |            | 1             | 1         | 20.2                    | 20.6        | 20.2        | 20.0   | <b>20.2</b> | 19.6        |
|                 |            | 1             | 50        | 20.2                    | <b>21.1</b> | 20.3        | 19.6   | 20.0        | 19.6        |
|                 |            | 1             | 51        | 20.6                    | 21.0        | 20.3        | 20.0   | 19.9        | 20.1        |
|                 |            | 25            | 12        | 20.3                    | 20.5        | 20.4        | 19.8   | 19.9        | 19.8        |
|                 |            | 50            | 0         | 20.4                    | 20.4        | 20.4        | 19.9   | 19.8        | 19.8        |

**OUTPUT POWER FOR 5G NR n70 (15.0 MHz)**

| Bandwidth (MHz) | Modulation | RB Allocation | RB Offset | Conducted Average (dBm) |        |     |       |        |     |
|-----------------|------------|---------------|-----------|-------------------------|--------|-----|-------|--------|-----|
|                 |            |               |           | ANT 2                   |        |     | ANT 0 |        |     |
|                 |            |               |           | N/A                     | 340500 | N/A | N/A   | 340500 | N/A |
| 15.0            | BPSK       | 1             | 0         |                         | 24.5   |     |       | 23.9   |     |
|                 |            | 1             | 1         |                         | 24.9   |     |       | 24.3   |     |
|                 |            | 1             | 77        |                         | 24.5   |     |       | 24.4   |     |
|                 |            | 1             | 78        |                         | 24.6   |     |       | 24.0   |     |
|                 |            | 36            | 18        |                         | 24.9   |     |       | 24.3   |     |
|                 |            | 75            | 0         |                         | 24.4   |     |       | 23.9   |     |
|                 | QPSK       | 1             | 0         |                         | 24.1   |     |       | 23.1   |     |
|                 |            | 1             | 1         |                         | 24.9   |     |       | 24.3   |     |
|                 |            | 1             | 77        |                         | 24.8   |     |       | 24.3   |     |
|                 |            | 1             | 78        |                         | 23.9   |     |       | 23.3   |     |
|                 |            | 36            | 18        |                         | 24.9   |     |       | 24.4   |     |
|                 |            | 75            | 0         |                         | 23.9   |     |       | 23.3   |     |
|                 | 16QAM      | 1             | 0         |                         | 23.1   |     |       | 22.2   |     |
|                 |            | 1             | 1         |                         | 24.2   |     |       | 23.5   |     |
|                 |            | 1             | 77        |                         | 24.3   |     |       | 23.3   |     |
|                 |            | 1             | 78        |                         | 23.1   |     |       | 22.7   |     |
|                 |            | 36            | 18        |                         | 23.9   |     |       | 23.3   |     |
|                 |            | 75            | 0         |                         | 22.9   |     |       | 22.4   |     |
|                 | 64QAM      | 1             | 0         |                         | 22.5   |     |       | 21.5   |     |
|                 |            | 1             | 1         |                         | 22.6   |     |       | 21.9   |     |
|                 |            | 1             | 77        |                         | 22.0   |     |       | 21.9   |     |
|                 |            | 1             | 78        |                         | 22.6   |     |       | 21.6   |     |
|                 |            | 36            | 18        |                         | 22.3   |     |       | 22.0   |     |
|                 |            | 75            | 0         |                         | 22.4   |     |       | 21.8   |     |
|                 | 256QAM     | 1             | 0         |                         | 20.4   |     |       | 19.9   |     |
|                 |            | 1             | 1         |                         | 20.2   |     |       | 19.9   |     |
|                 |            | 1             | 77        |                         | 20.6   |     |       | 19.7   |     |
|                 |            | 1             | 78        |                         | 20.1   |     |       | 20.1   |     |
|                 |            | 36            | 18        |                         | 20.4   |     |       | 19.9   |     |
|                 |            | 75            | 0         |                         | 20.4   |     |       | 19.9   |     |

### 8.16. LTE BAND 71 AND 5G NR n71

#### LTE BAND 71

|                          |                      |                   |                          |
|--------------------------|----------------------|-------------------|--------------------------|
| <b>Test Engineer ID:</b> | 27915TT, 20794DC and | <b>Test Date:</b> | 2024-01-20 to 2024-02-20 |
|--------------------------|----------------------|-------------------|--------------------------|

#### OUTPUT POWER FOR LTE BAND 71 (5.0 MHz)

| Bandwidth (MHz) | Modulation | RB Allocation | RB Offset | Conducted Average (dBm) |        |        |        |        |        |      |
|-----------------|------------|---------------|-----------|-------------------------|--------|--------|--------|--------|--------|------|
|                 |            |               |           | ANT 0                   |        |        | ANT 1  |        |        |      |
|                 |            |               |           | 133147                  | 133297 | 133447 | 133147 | 133297 | 133447 |      |
| 5.0             | QPSK       | 1             | 0         | 24.4                    | 24.4   | 24.3   | 24.7   | 24.7   | 24.5   |      |
|                 |            | 1             | 12        | 24.4                    | 24.3   | 24.3   | 24.7   | 24.7   | 24.5   |      |
|                 |            | 1             | 24        | 24.4                    | 24.4   | 24.3   | 24.7   | 24.7   | 24.5   |      |
|                 |            | 12            | 0         | 23.5                    | 23.4   | 23.4   | 23.7   | 23.7   | 23.6   |      |
|                 |            | 12            | 6         | 23.5                    | 23.4   | 23.3   | 23.7   | 23.7   | 23.6   |      |
|                 |            | 12            | 11        | 23.4                    | 23.4   | 23.3   | 23.7   | 23.7   | 23.6   |      |
|                 |            | 25            | 0         | 23.5                    | 23.4   | 23.3   | 23.7   | 23.7   | 23.6   |      |
|                 |            | 1             | 0         | 23.8                    | 23.8   | 23.7   | 24.0   | 24.0   | 24.0   |      |
|                 | 16QAM      | 1             | 12        | 23.7                    | 23.6   | 23.5   | 24.0   | 24.0   | 23.9   |      |
|                 |            | 1             | 24        | 23.8                    | 23.8   | 23.6   | 24.0   | 24.0   | 23.9   |      |
|                 |            | 12            | 0         | 22.5                    | 22.5   | 22.4   | 22.8   | 22.8   | 22.6   |      |
|                 |            | 12            | 6         | 22.5                    | 22.4   | 22.4   | 22.7   | 22.7   | 22.6   |      |
|                 |            | 12            | 11        | 22.5                    | 22.4   | 22.4   | 22.8   | 22.7   | 22.6   |      |
|                 |            | 25            | 0         | 22.5                    | 22.4   | 22.3   | 22.7   | 22.7   | 22.6   |      |
|                 |            | 64QAM         | 1         | 0                       | 22.6   | 22.6   | 22.6   | 22.8   | 22.9   | 22.7 |
|                 |            |               | 1         | 12                      | 22.6   | 22.7   | 22.5   | 22.9   | 22.9   | 22.6 |
|                 | 1          |               | 24        | 22.6                    | 22.7   | 22.5   | 22.9   | 22.9   | 22.6   |      |
|                 | 12         |               | 0         | 20.5                    | 20.4   | 20.4   | 20.7   | 20.7   | 20.6   |      |
|                 | 12         |               | 6         | 20.4                    | 20.4   | 20.4   | 20.7   | 20.7   | 20.5   |      |
|                 | 12         |               | 11        | 20.4                    | 20.4   | 20.3   | 20.7   | 20.7   | 20.5   |      |
|                 | 25         |               | 0         | 20.4                    | 20.4   | 20.4   | 20.7   | 20.7   | 20.6   |      |
|                 | 256QAM     |               | 1         | 0                       | 19.5   | 19.8   | 19.5   | 19.3   | 19.3   | 19.2 |
|                 |            | 1             | 12        | 19.4                    | 19.8   | 19.3   | 19.2   | 19.2   | 19.0   |      |
|                 |            | 1             | 24        | 19.4                    | 19.7   | 19.4   | 19.2   | 19.2   | 19.1   |      |
|                 |            | 12            | 0         | 17.5                    | 17.5   | 17.4   | 19.2   | 19.2   | 19.1   |      |
|                 |            | 12            | 6         | 17.5                    | 17.5   | 17.4   | 19.2   | 19.2   | 19.0   |      |
|                 |            | 12            | 11        | 17.5                    | 17.4   | 17.4   | 19.2   | 19.2   | 19.0   |      |
|                 |            | 25            | 0         | 17.4                    | 17.6   | 17.4   | 19.2   | 19.2   | 19.1   |      |

#### OUTPUT POWER FOR LTE BAND 71 (10.0 MHz)

| Bandwidth (MHz) | Modulation | RB Allocation | RB Offset | Conducted Average (dBm) |        |        |        |        |        |      |
|-----------------|------------|---------------|-----------|-------------------------|--------|--------|--------|--------|--------|------|
|                 |            |               |           | ANT 0                   |        |        | ANT 1  |        |        |      |
|                 |            |               |           | 133172                  | 133322 | 133422 | 133172 | 133322 | 133422 |      |
| 10.0            | QPSK       | 1             | 0         | 24.9                    | 24.5   | 24.9   | 24.9   | 24.7   | 24.8   |      |
|                 |            | 1             | 24        | 24.7                    | 24.3   | 24.7   | 24.8   | 24.6   | 24.8   |      |
|                 |            | 1             | 49        | 24.8                    | 24.4   | 24.9   | 24.8   | 24.7   | 24.7   |      |
|                 |            | 25            | 0         | 23.9                    | 23.5   | 23.9   | 23.8   | 23.8   | 23.8   |      |
|                 |            | 25            | 12        | 23.8                    | 23.4   | 23.9   | 23.8   | 23.7   | 23.7   |      |
|                 |            | 25            | 24        | 23.8                    | 23.4   | 23.8   | 23.8   | 23.7   | 23.7   |      |
|                 |            | 50            | 0         | 23.9                    | 23.5   | 23.9   | 23.8   | 23.7   | 23.7   |      |
|                 |            | 1             | 0         | 24.0                    | 23.7   | 24.0   | 23.9   | 23.9   | 24.0   |      |
|                 | 16QAM      | 1             | 24        | 24.0                    | 23.8   | 24.0   | 24.0   | 23.9   | 23.9   |      |
|                 |            | 1             | 49        | 23.9                    | 23.5   | 24.0   | 24.0   | 23.7   | 23.8   |      |
|                 |            | 25            | 0         | 22.9                    | 22.5   | 22.9   | 22.8   | 22.8   | 22.8   |      |
|                 |            | 25            | 12        | 22.9                    | 22.4   | 22.9   | 22.8   | 22.7   | 22.7   |      |
|                 |            | 25            | 24        | 22.9                    | 22.4   | 22.8   | 22.8   | 22.7   | 22.6   |      |
|                 |            | 50            | 0         | 22.8                    | 22.5   | 22.8   | 22.9   | 22.7   | 22.8   |      |
|                 |            | 64QAM         | 1         | 0                       | 22.9   | 22.8   | 22.9   | 23.0   | 22.7   | 22.9 |
|                 |            |               | 1         | 24                      | 22.8   | 22.7   | 22.9   | 23.1   | 22.8   | 22.9 |
|                 | 1          |               | 49        | 22.8                    | 22.6   | 22.9   | 23.0   | 22.6   | 22.6   |      |
|                 | 25         |               | 0         | 20.8                    | 20.5   | 20.5   | 20.9   | 20.7   | 20.8   |      |
|                 | 25         |               | 12        | 20.7                    | 20.4   | 20.5   | 20.8   | 20.7   | 20.8   |      |
|                 | 25         |               | 24        | 20.7                    | 20.4   | 20.5   | 20.8   | 20.6   | 20.7   |      |
|                 | 50         |               | 0         | 20.7                    | 20.4   | 20.4   | 20.8   | 20.7   | 20.7   |      |
|                 | 256QAM     |               | 1         | 0                       | 19.2   | 19.5   | 19.4   | 18.4   | 19.4   | 18.3 |
|                 |            | 1             | 24        | 19.2                    | 19.4   | 19.3   | 18.4   | 19.3   | 18.3   |      |
|                 |            | 1             | 49        | 19.1                    | 19.4   | 19.3   | 18.3   | 19.2   | 18.1   |      |
|                 |            | 25            | 0         | 19.3                    | 17.5   | 19.3   | 17.8   | 19.3   | 17.8   |      |
|                 |            | 25            | 12        | 19.2                    | 17.4   | 19.2   | 17.8   | 19.2   | 17.7   |      |
|                 |            | 25            | 24        | 19.2                    | 17.4   | 19.2   | 17.8   | 19.2   | 17.7   |      |
|                 |            | 50            | 0         | 19.2                    | 17.4   | 19.2   | 17.8   | 19.2   | 17.7   |      |

**OUTPUT POWER FOR LTE BAND 71 (15.0 MHz)**

| Bandwidth (MHz) | Modulation | RB Allocation | RB Offset | Conducted Average (dBm) |        |        |        |        |        |
|-----------------|------------|---------------|-----------|-------------------------|--------|--------|--------|--------|--------|
|                 |            |               |           | ANT 0                   |        |        | ANT 1  |        |        |
|                 |            |               |           | 133197                  | 133297 | 133397 | 133197 | 133297 | 133397 |
|                 |            |               |           | 670.5                   | 680.5  | 690.5  | 670.5  | 680.5  | 690.5  |
| 15.0            | QPSK       | 1             | 0         | 25.0                    | 24.6   | 25.0   | 25.0   | 24.9   | 24.9   |
|                 |            | 1             | 37        | 24.6                    | 24.3   | 24.9   | 24.7   | 24.6   | 24.7   |
|                 |            | 1             | 74        | 24.8                    | 24.4   | 25.0   | 24.8   | 24.7   | 24.8   |
|                 |            | 36            | 0         | 24.0                    | 23.5   | 24.0   | 24.0   | 23.9   | 24.0   |
|                 |            | 36            | 16        | 23.9                    | 23.5   | 23.9   | 23.9   | 23.8   | 23.9   |
|                 |            | 36            | 35        | 23.9                    | 23.4   | 23.9   | 23.9   | 23.8   | 23.9   |
|                 |            | 75            | 0         | 23.9                    | 23.5   | 23.9   | 23.9   | 23.8   | 23.9   |
|                 | 16QAM      | 1             | 0         | 24.0                    | 23.8   | 24.0   | 24.0   | 24.0   | 24.1   |
|                 |            | 1             | 37        | 23.9                    | 23.6   | 24.0   | 24.0   | 23.9   | 24.0   |
|                 |            | 1             | 74        | 23.9                    | 23.6   | 24.0   | 23.9   | 23.9   | 23.9   |
|                 |            | 36            | 0         | 22.9                    | 22.5   | 23.0   | 22.9   | 22.8   | 22.9   |
|                 |            | 36            | 16        | 22.9                    | 22.4   | 22.9   | 22.9   | 22.8   | 22.9   |
|                 |            | 36            | 35        | 22.8                    | 22.4   | 22.8   | 22.9   | 22.7   | 22.9   |
|                 |            | 75            | 0         | 22.9                    | 22.5   | 22.9   | 22.9   | 22.8   | 22.9   |
|                 | 64QAM      | 1             | 0         | 23.0                    | 22.8   | 23.0   | 23.0   | 23.0   | 23.1   |
|                 |            | 1             | 37        | 22.9                    | 22.5   | 23.0   | 22.8   | 22.8   | 22.9   |
|                 |            | 1             | 74        | 23.0                    | 22.6   | 23.0   | 23.0   | 22.9   | 23.0   |
|                 |            | 36            | 0         | 20.7                    | 20.5   | 23.0   | 20.9   | 20.8   | 20.9   |
|                 |            | 36            | 16        | 20.7                    | 20.4   | 23.0   | 20.8   | 20.7   | 20.8   |
|                 |            | 36            | 35        | 20.7                    | 20.4   | 23.0   | 20.8   | 20.7   | 20.8   |
|                 |            | 75            | 0         | 20.7                    | 20.4   | 23.0   | 20.9   | 20.7   | 20.8   |
|                 | 256QAM     | 1             | 0         | 19.5                    | 19.7   | 19.5   | 18.6   | 19.4   | 18.5   |
|                 |            | 1             | 37        | 19.3                    | 19.5   | 19.3   | 18.4   | 19.2   | 18.4   |
|                 |            | 1             | 74        | 19.3                    | 19.5   | 19.4   | 18.4   | 19.1   | 18.3   |
|                 |            | 36            | 0         | 19.2                    | 17.5   | 19.3   | 17.8   | 19.3   | 17.8   |
|                 |            | 36            | 16        | 19.2                    | 17.4   | 19.2   | 17.7   | 19.2   | 17.8   |
|                 |            | 36            | 35        | 19.2                    | 17.3   | 19.2   | 17.7   | 19.1   | 17.7   |
|                 |            | 75            | 0         | 19.2                    | 17.4   | 19.2   | 17.8   | 19.2   | 17.8   |

**OUTPUT POWER FOR LTE BAND 71 (20.0 MHz)**

| Bandwidth (MHz) | Modulation | RB Allocation | RB Offset | Conducted Average (dBm) |        |        |        |        |        |      |
|-----------------|------------|---------------|-----------|-------------------------|--------|--------|--------|--------|--------|------|
|                 |            |               |           | ANT 0                   |        |        | ANT 1  |        |        |      |
|                 |            |               |           | 133222                  | 133322 | 133372 | 133222 | 133322 | 133372 |      |
|                 |            |               |           | 673.0                   | 683.0  | 688.0  | 673.0  | 683.0  | 688.0  |      |
| 20.0            | QPSK       | 1             | 0         | 25.0                    | 24.6   | 24.9   | 25.0   | 24.9   | 25.0   |      |
|                 |            | 1             | 49        | 25.0                    | 24.5   | 24.8   | 25.1   | 24.9   | 25.1   |      |
|                 |            | 1             | 99        | 24.8                    | 24.3   | 24.9   | 24.5   | 24.6   | 24.8   |      |
|                 |            | 50            | 0         | 23.9                    | 23.6   | 23.9   | 23.9   | 23.8   | 24.0   |      |
|                 |            | 50            | 24        | 23.9                    | 23.5   | 23.9   | 23.9   | 23.8   | 23.9   |      |
|                 |            | 50            | 49        | 23.9                    | 23.4   | 23.8   | 23.8   | 23.7   | 23.8   |      |
|                 |            | 100           | 0         | 23.9                    | 23.5   | 23.9   | 23.9   | 23.8   | 23.9   |      |
|                 |            | 16QAM         | 1         | 0                       | 24.0   | 24.0   | 24.0   | 24.2   | 24.0   | 24.5 |
|                 |            |               | 1         | 49                      | 24.0   | 23.8   | 24.0   | 24.3   | 23.9   | 24.4 |
|                 |            |               | 1         | 99                      | 24.0   | 23.7   | 24.0   | 24.2   | 24.0   | 24.0 |
|                 | 50         |               | 0         | 22.9                    | 22.5   | 22.9   | 22.9   | 22.8   | 23.0   |      |
|                 | 50         |               | 24        | 22.9                    | 22.4   | 22.8   | 22.9   | 22.8   | 22.9   |      |
|                 | 50         |               | 49        | 22.8                    | 22.4   | 22.8   | 22.8   | 22.7   | 22.8   |      |
|                 | 100        |               | 0         | 22.9                    | 22.5   | 22.8   | 22.9   | 22.8   | 22.9   |      |
|                 | 64QAM      |               | 1         | 0                       | 22.8   | 22.6   | 22.9   | 23.0   | 23.0   | 23.1 |
|                 |            |               | 1         | 49                      | 22.9   | 22.5   | 23.0   | 23.1   | 23.0   | 23.1 |
|                 |            |               | 1         | 99                      | 22.7   | 22.4   | 22.9   | 23.0   | 22.9   | 22.7 |
|                 |            | 50            | 0         | 20.8                    | 20.6   | 22.9   | 20.9   | 20.8   | 21.0   |      |
|                 |            | 50            | 24        | 20.8                    | 20.5   | 22.9   | 20.8   | 20.7   | 20.9   |      |
|                 |            | 50            | 49        | 20.7                    | 20.4   | 23.0   | 20.8   | 20.6   | 20.7   |      |
|                 |            | 100           | 0         | 20.8                    | 20.5   | 22.9   | 20.8   | 20.7   | 20.8   |      |
|                 |            | 256QAM        | 1         | 0                       | 19.5   | 19.6   | 19.6   | 18.6   | 19.5   | 18.8 |
|                 |            |               | 1         | 49                      | 19.4   | 19.4   | 19.4   | 18.6   | 19.3   | 18.7 |
|                 |            |               | 1         | 99                      | 19.3   | 19.3   | 19.4   | 18.4   | 19.2   | 18.4 |
|                 | 50         |               | 0         | 19.3                    | 17.5   | 19.3   | 17.8   | 19.3   | 17.9   |      |
|                 | 50         |               | 24        | 19.2                    | 17.4   | 19.2   | 17.8   | 19.2   | 17.8   |      |
|                 | 50         |               | 49        | 19.2                    | 17.4   | 19.2   | 17.7   | 19.1   | 17.7   |      |
|                 | 100        |               | 0         | 19.3                    | 17.5   | 19.2   | 17.8   | 19.2   | 17.8   |      |

**5G NR n71**

|                          |         |                   |                          |
|--------------------------|---------|-------------------|--------------------------|
| <b>Test Engineer ID:</b> | 27966PV | <b>Test Date:</b> | 2024-02-13 to 2024-02-15 |
|--------------------------|---------|-------------------|--------------------------|

**OUTPUT POWER FOR 5G NR n71 (5.0 MHz)**

| Bandwidth (MHz) | Modulation | RB Allocation | RB Offset | Conducted Average (dBm) |        |             |        |             |        |
|-----------------|------------|---------------|-----------|-------------------------|--------|-------------|--------|-------------|--------|
|                 |            |               |           | ANT 0                   |        |             | ANT 1  |             |        |
|                 |            |               |           | 133100                  | 136100 | 139100      | 133100 | 136100      | 139100 |
| 5.0             | BPSK       | 1             | 0         | 23.8                    | 24.0   | 23.7        | 23.3   | 23.4        | 23.4   |
|                 |            | 1             | 1         | 24.7                    | 24.7   | 24.7        | 24.3   | <b>24.4</b> | 24.4   |
|                 |            | 1             | 23        | 24.8                    | 24.7   | 24.8        | 24.4   | 24.4        | 24.3   |
|                 |            | 1             | 24        | 23.9                    | 23.6   | 23.9        | 23.4   | 23.4        | 23.3   |
|                 |            | 12            | 6         | <b>25.0</b>             | 24.9   | 24.8        | 24.3   | 24.3        | 24.3   |
|                 |            | 25            | 0         | 24.0                    | 23.9   | 23.8        | 23.3   | 23.4        | 23.3   |
|                 | QPSK       | 1             | 0         | 24.2                    | 23.9   | 23.9        | 23.3   | <b>23.5</b> | 23.4   |
|                 |            | 1             | 1         | 23.8                    | 23.6   | 23.7        | 23.1   | 23.2        | 23.2   |
|                 |            | 1             | 23        | 23.8                    | 23.5   | 23.6        | 23.2   | 23.3        | 23.2   |
|                 |            | 1             | 24        | <b>24.2</b>             | 23.8   | 23.7        | 23.4   | 23.4        | 23.3   |
|                 |            | 12            | 6         | 23.6                    | 23.4   | 23.4        | 23.1   | 23.2        | 23.1   |
|                 |            | 25            | 0         | 23.5                    | 23.5   | 23.5        | 23.1   | 23.2        | 23.2   |
|                 | 16QAM      | 1             | 0         | 23.0                    | 22.4   | 23.2        | 22.6   | 22.2        | 22.2   |
|                 |            | 1             | 1         | 24.0                    | 23.8   | <b>24.2</b> | 23.4   | <b>23.6</b> | 23.2   |
|                 |            | 1             | 23        | 23.8                    | 24.0   | 23.5        | 23.3   | 23.6        | 23.4   |
|                 |            | 1             | 24        | 23.1                    | 22.8   | 22.9        | 22.7   | 22.3        | 22.2   |
|                 |            | 12            | 6         | 24.0                    | 23.7   | 24.0        | 23.3   | 23.4        | 23.3   |
|                 |            | 25            | 0         | 23.0                    | 22.9   | 22.8        | 22.3   | 22.3        | 22.3   |
|                 | 64QAM      | 1             | 0         | 22.7                    | 22.5   | 22.2        | 21.9   | <b>22.0</b> | 21.9   |
|                 |            | 1             | 1         | 22.7                    | 22.7   | 22.5        | 21.7   | 22.0        | 21.7   |
|                 |            | 1             | 23        | <b>23.1</b>             | 22.2   | 22.4        | 21.6   | 21.9        | 21.8   |
|                 |            | 1             | 24        | 22.6                    | 22.3   | 21.9        | 22.0   | 21.8        | 21.7   |
|                 |            | 12            | 6         | 22.6                    | 22.3   | 22.3        | 21.8   | 21.9        | 21.8   |
|                 |            | 25            | 0         | 22.4                    | 22.3   | 22.3        | 21.8   | 21.9        | 21.9   |
|                 | 256QAM     | 1             | 0         | <b>19.4</b>             | 18.8   | 18.9        | 18.3   | 18.4        | 18.1   |
|                 |            | 1             | 1         | 18.8                    | 18.3   | 18.9        | 18.4   | <b>18.8</b> | 18.6   |
|                 |            | 1             | 23        | 18.4                    | 18.6   | 18.8        | 18.5   | 18.3        | 18.1   |
|                 |            | 1             | 24        | 18.8                    | 19.1   | 18.8        | 18.3   | 18.4        | 18.4   |
|                 |            | 12            | 6         | 19.0                    | 18.8   | 18.8        | 18.3   | 18.3        | 18.4   |
|                 |            | 25            | 0         | 18.9                    | 18.8   | 18.8        | 18.3   | 18.3        | 18.3   |

**OUTPUT POWER FOR 5G NR n71 (10.0 MHz)**

| Bandwidth (MHz) | Modulation | RB Allocation | RB Offset | Conducted Average (dBm) |        |        |             |             |             |
|-----------------|------------|---------------|-----------|-------------------------|--------|--------|-------------|-------------|-------------|
|                 |            |               |           | ANT 0                   |        |        | ANT 1       |             |             |
|                 |            |               |           | 133600                  | 136600 | 138600 | 133600      | 136600      | 138600      |
| 10.0            | BPSK       | 1             | 0         | 23.8                    | 23.9   | 23.7   | 23.3        | 23.4        | 23.5        |
|                 |            | 1             | 1         | 24.6                    | 24.9   | 24.7   | 24.2        | 24.4        | 24.4        |
|                 |            | 1             | 50        | 24.5                    | 24.5   | 24.7   | <b>24.4</b> | 24.3        | 24.4        |
|                 |            | 1             | 51        | 23.8                    | 23.9   | 24.1   | 23.4        | 23.3        | 23.3        |
|                 |            | 25            | 12        | <b>25.0</b>             | 24.8   | 24.8   | 24.3        | 24.4        | 24.4        |
|                 |            | 50            | 0         | 23.9                    | 23.9   | 23.9   | 23.4        | 23.3        | 23.4        |
|                 | QPSK       | 1             | 0         | 24.0                    | 24.1   | 23.9   | 23.3        | <b>23.5</b> | 23.5        |
|                 |            | 1             | 1         | 23.7                    | 23.7   | 23.5   | 23.3        | 23.4        | 23.2        |
|                 |            | 1             | 50        | 23.9                    | 23.5   | 23.5   | 23.4        | 23.3        | 23.3        |
|                 |            | 1             | 51        | <b>24.3</b>             | 24.0   | 23.7   | 23.3        | 23.4        | 23.4        |
|                 |            | 25            | 12        | 23.5                    | 23.4   | 23.4   | 23.1        | 23.2        | 23.1        |
|                 |            | 50            | 0         | 23.6                    | 23.5   | 23.4   | 23.2        | 23.1        | 23.1        |
|                 | 16QAM      | 1             | 0         | 23.2                    | 23.2   | 22.4   | 22.3        | 22.5        | 22.2        |
|                 |            | 1             | 1         | 23.9                    | 24.0   | 24.1   | 23.3        | 22.8        | <b>23.5</b> |
|                 |            | 1             | 50        | <b>24.1</b>             | 23.7   | 23.2   | 23.1        | 23.1        | 23.5        |
|                 |            | 1             | 51        | 23.1                    | 22.5   | 22.6   | 22.4        | 22.4        | 22.4        |
|                 |            | 25            | 12        | 24.0                    | 23.8   | 23.8   | 23.4        | 23.4        | 23.2        |
|                 |            | 50            | 0         | 23.1                    | 22.8   | 22.8   | 22.2        | 22.3        | 22.4        |
|                 | 64QAM      | 1             | 0         | <b>22.9</b>             | 22.3   | 22.1   | 21.7        | 21.9        | 21.9        |
|                 |            | 1             | 1         | 22.5                    | 22.7   | 22.1   | 21.8        | 21.4        | <b>22.3</b> |
|                 |            | 1             | 50        | 22.3                    | 22.6   | 22.0   | 21.8        | 21.8        | 22.1        |
|                 |            | 1             | 51        | 22.4                    | 22.2   | 21.8   | 21.7        | 21.6        | 22.1        |
|                 |            | 25            | 12        | 22.6                    | 22.5   | 22.3   | 21.9        | 21.7        | 21.8        |
|                 |            | 50            | 0         | 22.4                    | 22.4   | 22.3   | 21.8        | 21.8        | 21.9        |
|                 | 256QAM     | 1             | 0         | 18.4                    | 19.1   | 18.5   | 18.2        | 18.2        | 18.3        |
|                 |            | 1             | 1         | <b>19.4</b>             | 18.9   | 18.8   | 17.9        | 18.2        | <b>18.5</b> |
|                 |            | 1             | 50        | 19.1                    | 18.8   | 19.0   | 18.2        | 18.5        | 18.2        |
|                 |            | 1             | 51        | 19.0                    | 19.0   | 18.7   | 18.3        | 18.4        | 18.5        |
|                 |            | 25            | 12        | 18.9                    | 18.9   | 18.7   | 18.2        | 18.3        | 18.3        |
|                 |            | 50            | 0         | 19.0                    | 18.7   | 18.8   | 18.3        | 18.3        | 18.4        |

**OUTPUT POWER FOR 5G NR n71 (15.0 MHz)**

| Bandwidth (MHz) | Modulation | RB Allocation | RB Offset | Conducted Average (dBm) |        |        |        |        |        |
|-----------------|------------|---------------|-----------|-------------------------|--------|--------|--------|--------|--------|
|                 |            |               |           | ANT 0                   |        |        | ANT 1  |        |        |
|                 |            |               |           | 134100                  | 136100 | 138100 | 134100 | 136100 | 138100 |
| 15.0            | BPSK       | 1             | 0         | 24.4                    | 23.7   | 23.7   | 23.3   | 23.2   | 23.5   |
|                 |            | 1             | 1         | 24.6                    | 24.6   | 24.7   | 24.3   | 24.3   | 24.3   |
|                 |            | 1             | 77        | 24.9                    | 24.5   | 24.6   | 24.4   | 24.3   | 24.2   |
|                 |            | 1             | 78        | 24.0                    | 23.5   | 23.7   | 23.4   | 23.4   | 23.2   |
|                 |            | 36            | 18        | 25.0                    | 24.9   | 24.8   | 24.4   | 24.3   | 24.4   |
|                 |            | 75            | 0         | 23.9                    | 23.9   | 23.8   | 23.4   | 23.3   | 23.4   |
|                 | QPSK       | 1             | 0         | 24.2                    | 24.0   | 23.7   | 23.2   | 23.4   | 23.5   |
|                 |            | 1             | 1         | 23.8                    | 23.6   | 23.2   | 23.1   | 23.3   | 23.1   |
|                 |            | 1             | 77        | 23.5                    | 23.4   | 23.5   | 23.2   | 23.3   | 23.8   |
|                 |            | 1             | 78        | 24.1                    | 23.7   | 23.8   | 23.5   | 23.5   | 23.3   |
|                 |            | 36            | 18        | 23.6                    | 23.4   | 23.4   | 23.1   | 23.1   | 23.1   |
|                 |            | 75            | 0         | 23.7                    | 23.4   | 23.5   | 23.1   | 23.2   | 23.2   |
|                 | 16QAM      | 1             | 0         | 23.0                    | 22.7   | 22.3   | 22.1   | 22.4   | 22.7   |
|                 |            | 1             | 1         | 24.1                    | 23.8   | 23.6   | 23.4   | 23.1   | 23.6   |
|                 |            | 1             | 77        | 24.0                    | 23.7   | 23.8   | 23.2   | 23.2   | 23.3   |
|                 |            | 1             | 78        | 23.0                    | 22.9   | 22.8   | 22.5   | 22.3   | 22.5   |
|                 |            | 36            | 18        | 23.9                    | 23.9   | 23.8   | 23.4   | 23.3   | 23.3   |
|                 |            | 75            | 0         | 23.0                    | 22.9   | 22.8   | 22.4   | 22.3   | 22.3   |
|                 | 64QAM      | 1             | 0         | 22.6                    | 22.0   | 22.1   | 21.9   | 21.8   | 21.8   |
|                 |            | 1             | 1         | 22.5                    | 22.2   | 22.5   | 21.6   | 21.5   | 22.2   |
|                 |            | 1             | 77        | 22.9                    | 22.1   | 22.7   | 21.9   | 21.7   | 21.5   |
|                 |            | 1             | 78        | 22.8                    | 22.0   | 22.5   | 22.0   | 21.6   | 21.8   |
|                 |            | 36            | 18        | 22.5                    | 22.4   | 22.3   | 21.9   | 21.8   | 21.8   |
|                 |            | 75            | 0         | 22.4                    | 22.3   | 22.4   | 21.8   | 21.8   | 21.9   |
|                 | 256QAM     | 1             | 0         | 19.3                    | 19.2   | 18.7   | 18.4   | 17.9   | 18.7   |
|                 |            | 1             | 1         | 19.0                    | 19.1   | 18.8   | 18.2   | 18.5   | 18.2   |
|                 |            | 1             | 77        | 19.1                    | 18.8   | 18.9   | 18.5   | 18.1   | 18.3   |
|                 |            | 1             | 78        | 18.8                    | 19.0   | 18.7   | 18.5   | 18.6   | 18.2   |
|                 |            | 36            | 18        | 18.9                    | 18.9   | 18.9   | 18.3   | 18.3   | 18.4   |
|                 |            | 75            | 0         | 18.9                    | 18.9   | 18.8   | 18.3   | 18.4   | 18.3   |

**OUTPUT POWER FOR 5G NR n71 (20.0 MHz)**

| Bandwidth (MHz) | Modulation | RB Allocation | RB Offset | Conducted Average (dBm) |        |        |        |        |        |
|-----------------|------------|---------------|-----------|-------------------------|--------|--------|--------|--------|--------|
|                 |            |               |           | ANT 0                   |        |        | ANT 1  |        |        |
|                 |            |               |           | 134600                  | 136600 | 137600 | 134600 | 136600 | 137600 |
| 20.0            | BPSK       | 1             | 0         | 23.8                    | 23.8   | 23.9   | 23.3   | 23.2   | 23.3   |
|                 |            | 1             | 1         | 23.4                    | 23.5   | 23.5   | 24.3   | 24.3   | 24.4   |
|                 |            | 1             | 104       | 23.4                    | 23.2   | 23.3   | 24.4   | 24.4   | 24.2   |
|                 |            | 1             | 105       | 23.8                    | 23.8   | 23.6   | 23.3   | 23.3   | 23.2   |
|                 |            | 50            | 25        | 23.5                    | 23.4   | 23.6   | 24.3   | 24.3   | 24.3   |
|                 |            | 100           | 0         | 23.5                    | 23.5   | 23.5   | 23.3   | 23.3   | 23.4   |
|                 | QPSK       | 1             | 0         | 23.9                    | 24.0   | 23.9   | 23.2   | 23.4   | 23.3   |
|                 |            | 1             | 1         | 24.2                    | 24.9   | 24.9   | 23.1   | 23.1   | 23.2   |
|                 |            | 1             | 104       | 24.9                    | 24.9   | 24.8   | 23.2   | 23.1   | 23.2   |
|                 |            | 1             | 105       | 23.7                    | 23.9   | 23.8   | 23.4   | 23.4   | 23.2   |
|                 |            | 50            | 25        | 25.0                    | 24.9   | 24.8   | 23.2   | 23.1   | 23.1   |
|                 |            | 100           | 0         | 23.9                    | 23.8   | 23.8   | 23.1   | 23.2   | 23.2   |
|                 | 16QAM      | 1             | 0         | 23.1                    | 22.7   | 22.8   | 22.3   | 22.2   | 22.5   |
|                 |            | 1             | 1         | 24.2                    | 23.9   | 23.6   | 23.3   | 23.0   | 23.3   |
|                 |            | 1             | 104       | 23.8                    | 23.9   | 23.6   | 23.4   | 23.4   | 23.2   |
|                 |            | 1             | 105       | 22.8                    | 23.1   | 23.1   | 22.4   | 22.1   | 22.4   |
|                 |            | 50            | 25        | 23.9                    | 23.9   | 23.8   | 23.4   | 23.3   | 23.3   |
|                 |            | 100           | 0         | 22.9                    | 23.0   | 22.8   | 22.3   | 22.3   | 22.3   |
|                 | 64QAM      | 1             | 0         | 22.6                    | 22.7   | 22.5   | 21.7   | 21.6   | 22.0   |
|                 |            | 1             | 1         | 22.3                    | 22.8   | 22.5   | 22.3   | 21.5   | 21.9   |
|                 |            | 1             | 104       | 22.1                    | 22.3   | 22.5   | 21.5   | 22.1   | 21.6   |
|                 |            | 1             | 105       | 22.2                    | 22.3   | 22.3   | 21.6   | 21.7   | 22.0   |
|                 |            | 50            | 25        | 22.4                    | 22.3   | 22.3   | 21.7   | 21.9   | 21.8   |
|                 |            | 100           | 0         | 22.3                    | 22.3   | 22.3   | 21.9   | 21.8   | 21.8   |
|                 | 256QAM     | 1             | 0         | 18.9                    | 19.0   | 18.9   | 18.1   | 18.4   | 18.4   |
|                 |            | 1             | 1         | 19.1                    | 19.0   | 18.9   | 18.1   | 18.1   | 18.1   |
|                 |            | 1             | 104       | 18.9                    | 19.0   | 18.5   | 18.4   | 18.4   | 18.4   |
|                 |            | 1             | 105       | 18.7                    | 18.6   | 18.7   | 18.3   | 18.3   | 18.2   |
|                 |            | 50            | 25        | 19.0                    | 18.8   | 18.8   | 18.2   | 18.3   | 18.3   |
|                 |            | 100           | 0         | 19.0                    | 18.9   | 18.8   | 18.3   | 18.3   | 18.4   |







**OUTPUT POWER FOR 5G NR n77 (30.0 MHz)**

| Bandwidth (MHz) | Modulation | RB Allocation | RB Offset | Conducted Average (dBm) |        |        |        |        |        |        |        |        |        |        |        |
|-----------------|------------|---------------|-----------|-------------------------|--------|--------|--------|--------|--------|--------|--------|--------|--------|--------|--------|
|                 |            |               |           | ANT 6                   |        |        | ANT 7  |        |        | ANT 1  |        |        | ANT 5  |        |        |
|                 |            |               |           | 631000                  | 633332 | 635666 | 631000 | 633332 | 635666 | 631000 | 633332 | 635666 | 631000 | 633332 | 635666 |
| 30.0            | BPSK       | 1             | 0         | 24.2                    | 24.1   | 24.1   | 23.3   | 23.4   | 23.3   | 23.1   | 23.3   | 23.2   | 22.8   | 22.9   | 22.6   |
|                 |            | 1             | 1         | 24.6                    | 24.7   | 24.8   | 23.8   | 23.8   | 23.8   | 23.6   | 23.7   | 23.5   | 23.3   | 23.4   | 23.3   |
|                 |            | 1             | 76        | 24.7                    | 24.7   | 24.6   | 23.8   | 23.8   | 23.9   | 24.0   | 23.7   | 23.5   | 23.5   | 23.3   | 23.2   |
|                 |            | 1             | 77        | 24.1                    | 24.1   | 24.1   | 23.5   | 23.4   | 23.3   | 23.4   | 23.0   | 23.1   | 22.9   | 22.7   | 22.7   |
|                 |            | 36            | 18        | 24.6                    | 24.7   | 24.6   | 23.9   | 23.8   | 23.9   | 23.7   | 23.7   | 23.5   | 23.4   | 23.5   | 23.2   |
|                 |            | 75            | 0         | 24.1                    | 24.2   | 24.1   | 23.3   | 23.3   | 23.4   | 23.1   | 23.2   | 23.0   | 23.0   | 22.9   | 22.7   |
|                 |            | 1             | 0         | 23.6                    | 23.6   | 23.5   | 22.8   | 22.8   | 22.7   | 22.6   | 22.8   | 22.5   | 22.3   | 22.4   | 22.2   |
|                 | QPSK       | 1             | 1         | 24.5                    | 24.6   | 24.5   | 23.8   | 23.8   | 23.8   | 23.6   | 23.7   | 23.7   | 23.3   | 23.6   | 23.2   |
|                 |            | 1             | 76        | 24.7                    | 24.5   | 24.6   | 23.8   | 23.7   | 23.8   | 23.7   | 23.7   | 23.7   | 23.6   | 23.3   | 23.2   |
|                 |            | 1             | 77        | 23.7                    | 23.7   | 23.5   | 22.9   | 22.8   | 22.8   | 22.9   | 22.7   | 22.5   | 22.5   | 22.4   | 22.1   |
|                 |            | 36            | 18        | 24.7                    | 24.7   | 24.6   | 23.9   | 23.8   | 23.8   | 23.8   | 23.8   | 23.5   | 23.4   | 23.4   | 23.2   |
|                 |            | 75            | 0         | 23.7                    | 23.7   | 23.6   | 22.9   | 22.8   | 22.9   | 22.7   | 22.7   | 22.5   | 22.5   | 22.3   | 22.2   |
|                 |            | 1             | 0         | 22.6                    | 22.7   | 22.8   | 22.1   | 21.9   | 22.0   | 21.6   | 21.8   | 21.6   | 21.3   | 21.7   | 21.1   |
|                 |            | 1             | 1         | 23.5                    | 23.5   | 23.7   | 23.1   | 22.5   | 22.6   | 22.6   | 22.6   | 22.6   | 22.0   | 22.6   | 22.2   |
|                 | 16QAM      | 1             | 76        | 23.7                    | 23.7   | 23.5   | 22.9   | 22.4   | 22.8   | 22.6   | 22.8   | 22.4   | 22.5   | 22.3   | 22.2   |
|                 |            | 1             | 77        | 22.8                    | 22.7   | 22.6   | 21.7   | 21.8   | 21.8   | 21.9   | 21.5   | 21.6   | 21.3   | 21.4   | 21.1   |
|                 |            | 36            | 18        | 23.6                    | 23.7   | 23.7   | 22.9   | 22.8   | 22.9   | 22.8   | 22.8   | 22.5   | 22.4   | 22.5   | 22.1   |
|                 |            | 75            | 0         | 22.6                    | 22.6   | 22.6   | 21.8   | 21.8   | 21.8   | 21.7   | 21.7   | 21.5   | 21.4   | 21.4   | 21.2   |
|                 |            | 1             | 0         | 21.9                    | 21.8   | 22.1   | 21.4   | 21.4   | 21.2   | 20.9   | 21.2   | 21.0   | 21.0   | 21.0   | 20.8   |
|                 |            | 1             | 1         | 21.9                    | 22.2   | 22.3   | 21.1   | 21.2   | 21.3   | 21.3   | 21.2   | 21.1   | 21.0   | 20.9   | 20.8   |
|                 |            | 1             | 76        | 22.2                    | 22.1   | 22.2   | 21.4   | 21.3   | 21.3   | 21.6   | 21.4   | 21.0   | 21.0   | 21.2   | 20.7   |
|                 | 64QAM      | 1             | 77        | 22.0                    | 22.3   | 21.7   | 21.5   | 21.3   | 21.6   | 21.3   | 21.0   | 21.2   | 21.2   | 20.7   | 20.6   |
|                 |            | 36            | 18        | 22.1                    | 22.2   | 22.2   | 21.4   | 21.4   | 21.3   | 21.2   | 21.3   | 21.0   | 21.0   | 20.9   | 20.7   |
|                 |            | 75            | 0         | 22.1                    | 22.2   | 22.2   | 21.4   | 21.3   | 21.3   | 21.2   | 21.2   | 21.0   | 20.8   | 20.9   | 20.7   |
|                 |            | 1             | 0         | 20.1                    | 20.1   | 20.4   | 19.6   | 19.3   | 19.3   | 18.9   | 19.5   | 19.3   | 18.5   | 18.8   | 18.8   |
|                 |            | 1             | 1         | 19.9                    | 20.1   | 20.2   | 19.3   | 19.3   | 19.1   | 19.1   | 19.4   | 19.3   | 19.1   | 18.8   | 18.7   |
|                 |            | 1             | 76        | 20.2                    | 20.2   | 20.5   | 19.3   | 19.1   | 19.1   | 19.0   | 19.3   | 19.2   | 18.7   | 18.6   | 19.0   |
|                 |            | 1             | 77        | 20.0                    | 20.1   | 20.2   | 19.6   | 19.0   | 19.1   | 19.3   | 18.8   | 19.3   | 19.3   | 18.9   | 18.8   |
|                 | 256QAM     | 36            | 18        | 20.0                    | 20.2   | 20.1   | 19.4   | 19.3   | 19.3   | 19.2   | 19.3   | 19.0   | 19.0   | 18.9   | 18.7   |
|                 |            | 75            | 0         | 20.0                    | 20.2   | 20.1   | 19.4   | 19.3   | 19.4   | 19.2   | 19.3   | 19.0   | 18.8   | 18.9   | 18.6   |

**OUTPUT POWER FOR 5G NR n77 (40.0 MHz)**

| Bandwidth (MHz) | Modulation | RB Allocation | RB Offset | Conducted Average (dBm) |        |        |        |        |        |        |        |        |        |        |        |
|-----------------|------------|---------------|-----------|-------------------------|--------|--------|--------|--------|--------|--------|--------|--------|--------|--------|--------|
|                 |            |               |           | ANT 6                   |        |        | ANT 7  |        |        | ANT 1  |        |        | ANT 5  |        |        |
|                 |            |               |           | 631332                  | 633332 | 635332 | 631332 | 633332 | 635332 | 631332 | 633332 | 635332 | 631332 | 633332 | 635332 |
| 40.0            | BPSK       | 1             | 0         | 24.1                    | 24.2   | 24.1   | 23.4   | 23.2   | 23.3   | 23.1   | 23.2   | 23.1   | 22.8   | 23.1   | 22.9   |
|                 |            | 1             | 1         | 24.6                    | 24.7   | 24.6   | 23.9   | 23.9   | 23.7   | 23.5   | 23.8   | 23.7   | 23.3   | 23.5   | 23.2   |
|                 |            | 1             | 104       | 24.7                    | 24.6   | 24.7   | 23.9   | 23.8   | 23.9   | 23.8   | 23.6   | 23.5   | 23.6   | 23.3   | 23.3   |
|                 |            | 1             | 105       | 24.2                    | 24.2   | 24.2   | 23.4   | 23.3   | 23.4   | 23.3   | 23.2   | 23.1   | 22.9   | 22.8   | 22.7   |
|                 |            | 50            | 25        | 24.6                    | 24.7   | 24.8   | 23.8   | 23.9   | 23.8   | 23.7   | 23.7   | 23.6   | 23.4   | 23.4   | 23.3   |
|                 |            | 100           | 0         | 24.1                    | 24.3   | 24.2   | 23.4   | 23.3   | 23.3   | 23.1   | 23.2   | 23.0   | 23.0   | 22.9   | 22.7   |
|                 |            | 1             | 0         | 23.6                    | 23.7   | 23.6   | 22.7   | 22.9   | 22.7   | 22.6   | 22.8   | 22.6   | 22.3   | 22.5   | 22.3   |
|                 | QPSK       | 1             | 1         | 24.5                    | 24.7   | 24.7   | 23.7   | 24.0   | 23.8   | 23.5   | 23.8   | 23.7   | 23.3   | 23.6   | 23.3   |
|                 |            | 1             | 104       | 24.6                    | 24.8   | 24.6   | 23.8   | 23.9   | 23.9   | 23.8   | 23.6   | 23.6   | 23.4   | 23.4   | 23.2   |
|                 |            | 1             | 105       | 23.7                    | 23.7   | 23.6   | 22.8   | 22.8   | 22.8   | 22.7   | 22.7   | 22.5   | 22.4   | 22.3   | 22.3   |
|                 |            | 50            | 25        | 24.7                    | 24.7   | 24.7   | 23.9   | 23.8   | 24.0   | 23.7   | 23.7   | 23.5   | 23.4   | 23.5   | 23.2   |
|                 |            | 100           | 0         | 23.8                    | 23.7   | 23.6   | 22.9   | 22.8   | 22.8   | 22.6   | 22.6   | 22.5   | 22.5   | 22.3   | 22.2   |
|                 |            | 1             | 0         | 22.8                    | 22.7   | 22.7   | 21.7   | 21.8   | 21.8   | 21.5   | 21.8   | 21.7   | 21.5   | 21.3   | 21.4   |
|                 |            | 1             | 1         | 23.6                    | 23.6   | 23.8   | 22.9   | 22.6   | 22.8   | 22.4   | 22.6   | 22.8   | 22.0   | 22.6   | 22.4   |
|                 | 16QAM      | 1             | 104       | 23.5                    | 23.7   | 23.6   | 23.1   | 22.9   | 22.8   | 22.6   | 22.6   | 22.6   | 22.4   | 22.1   | 22.2   |
|                 |            | 1             | 105       | 22.6                    | 22.8   | 22.5   | 21.7   | 22.1   | 21.9   | 21.8   | 21.5   | 21.6   | 21.5   | 21.2   | 21.4   |
|                 |            | 50            | 25        | 23.7                    | 23.7   | 23.8   | 23.0   | 22.9   | 22.9   | 22.6   | 22.8   | 22.5   | 22.5   | 22.4   | 22.1   |
|                 |            | 100           | 0         | 22.6                    | 22.8   | 22.8   | 21.8   | 21.9   | 21.9   | 21.6   | 21.6   | 21.5   | 21.5   | 21.4   | 21.3   |
|                 |            | 1             | 0         | 22.5                    | 22.1   | 21.7   | 21.1   | 21.4   | 21.2   | 20.8   | 21.1   | 21.3   | 20.7   | 20.7   | 20.8   |
|                 |            | 1             | 1         | 21.9                    | 22.2   | 22.4   | 21.1   | 21.4   | 21.3   | 20.9   | 21.3   | 21.4   | 20.8   | 21.1   | 20.8   |
|                 |            | 1             | 104       | 22.2                    | 22.2   | 22.2   | 21.2   | 21.2   | 21.4   | 21.4   | 21.0   | 21.1   | 20.9   | 20.9   | 20.7   |
|                 | 64QAM      | 1             | 105       | 22.0                    | 22.3   | 22.1   | 21.2   | 21.5   | 21.5   | 21.6   | 21.2   | 21.1   | 20.9   | 21.3   | 20.7   |
|                 |            | 50            | 25        | 22.1                    | 22.2   | 22.2   | 21.4   | 21.3   | 21.4   | 21.1   | 21.2   | 21.0   | 21.0   | 20.9   | 20.7   |
|                 |            | 100           | 0         | 22.1                    | 22.2   | 22.2   | 21.4   | 21.4   | 21.2   | 21.1   | 21.2   | 21.1   | 20.9   | 20.9   | 20.8   |
|                 |            | 1             | 0         | 20.3                    | 20.4   | 20.0   | 19.3   | 19.3   | 19.5   | 19.2   | 19.1   | 19.3   | 19.1   | 19.1   | 18.7   |
|                 |            | 1             | 1         | 20.0                    | 19.7   | 20.4   | 19.3   | 19.3   | 19.5   | 19.1   | 19.1   | 19.3   | 19.1   | 19.2   | 18.7   |
|                 |            | 1             | 104       | 20.3                    | 20.2   | 20.3   | 19.3   | 19.1   | 19.7   | 19.3   | 19.3   | 18.9   | 19.2   | 18.8   | 18.8   |
|                 |            | 1             | 105       | 20.3                    | 19.8   | 19.9   | 19.2   | 19.6   | 19.6   | 19.4   | 18.9   | 19.0   | 19.1   | 18.8   | 18.8   |
|                 | 256QAM     | 50            | 25        | 20.1                    | 20.2   | 20.2   | 19.3   | 19.3   | 19.3   | 19.3   | 19.2   | 18.9   | 19.0   | 18.9   | 18.6   |
|                 |            | 100           | 0         | 20.1                    | 20.1   | 20.2   | 19.5   | 19.3   | 19.4   | 19.2   | 19.1   | 19.1   | 19.0   | 18.8   | 18.8   |





**OUTPUT POWER FOR 5G NR n77 (90.0 MHz)**

| Bandwidth (MHz) | Modulation | RB Allocation | RB Offset | Conducted Average (dBm) |        |        |        |        |        |        |        |        |        |        |        |
|-----------------|------------|---------------|-----------|-------------------------|--------|--------|--------|--------|--------|--------|--------|--------|--------|--------|--------|
|                 |            |               |           | ANT 6                   |        |        | ANT 7  |        |        | ANT 1  |        |        | ANT 5  |        |        |
|                 |            |               |           | 633000                  | 633332 | 633666 | 633000 | 633332 | 633666 | 633000 | 633332 | 633666 | 633000 | 633332 | 633666 |
| 90.0            | BPSK       | 1             | 0         | 24.1                    | 24.2   | 24.1   | 23.3   | 23.3   | 23.4   | 23.1   | 23.2   | 23.1   | 23.0   | 23.0   | 23.0   |
|                 |            | 1             | 1         | 24.8                    | 24.6   | 24.7   | 23.9   | 23.9   | 23.9   | 23.6   | 23.5   | 23.8   | 23.5   | 23.6   | 23.6   |
|                 |            | 1             | 243       | 24.9                    | 24.8   | 24.9   | 24.0   | 23.9   | 24.0   | 23.5   | 23.6   | 23.6   | 23.4   | 23.4   | 23.5   |
|                 |            | 1             | 244       | 24.2                    | 24.3   | 24.2   | 23.4   | 23.3   | 23.5   | 22.8   | 22.9   | 23.1   | 22.8   | 22.8   | 22.8   |
|                 |            | 120           | 60        | 24.7                    | 24.7   | 24.7   | 23.8   | 23.8   | 23.7   | 23.6   | 23.7   | 23.7   | 23.5   | 23.5   | 23.5   |
|                 |            | 243           | 0         | 24.2                    | 24.2   | 24.2   | 23.4   | 23.3   | 23.3   | 23.0   | 23.1   | 23.1   | 23.1   | 23.1   | 23.0   |
|                 | QPSK       | 1             | 0         | 23.6                    | 23.6   | 23.7   | 22.9   | 22.8   | 22.8   | 22.3   | 22.6   | 22.5   | 22.4   | 22.4   | 22.5   |
|                 |            | 1             | 1         | 24.7                    | 24.8   | 24.7   | 23.9   | 24.0   | 23.9   | 23.6   | 23.6   | 23.6   | 23.6   | 23.6   | 23.5   |
|                 |            | 1             | 243       | 24.8                    | 24.8   | 24.8   | 24.0   | 24.1   | 24.0   | 23.6   | 23.5   | 23.6   | 23.4   | 23.4   | 23.4   |
|                 |            | 1             | 244       | 23.8                    | 23.7   | 23.7   | 22.9   | 23.0   | 22.8   | 22.5   | 22.5   | 22.5   | 22.3   | 22.3   | 22.3   |
|                 |            | 120           | 60        | 24.7                    | 24.6   | 24.6   | 23.9   | 23.7   | 23.7   | 23.8   | 23.7   | 23.6   | 23.6   | 23.5   | 23.6   |
|                 |            | 243           | 0         | 23.7                    | 23.7   | 23.6   | 22.9   | 22.8   | 22.8   | 22.7   | 22.6   | 22.6   | 22.6   | 22.5   | 22.5   |
|                 | 16QAM      | 1             | 0         | 22.7                    | 22.5   | 22.7   | 21.6   | 21.7   | 22.1   | 21.5   | 21.4   | 21.7   | 21.2   | 21.2   | 21.4   |
|                 |            | 1             | 1         | 24.0                    | 23.9   | 23.9   | 23.2   | 22.9   | 23.0   | 22.6   | 22.5   | 22.9   | 22.5   | 22.5   | 22.4   |
|                 |            | 1             | 243       | 23.6                    | 23.8   | 23.9   | 23.3   | 22.9   | 23.3   | 22.5   | 22.5   | 22.6   | 22.2   | 22.5   | 22.4   |
|                 |            | 1             | 244       | 22.9                    | 22.6   | 22.9   | 21.8   | 21.8   | 22.2   | 21.5   | 21.3   | 21.6   | 21.0   | 21.4   | 21.3   |
|                 |            | 120           | 60        | 23.7                    | 23.7   | 23.6   | 22.7   | 22.7   | 22.8   | 22.7   | 22.7   | 22.6   | 22.5   | 22.6   | 22.5   |
|                 |            | 243           | 0         | 22.7                    | 22.6   | 22.6   | 21.8   | 21.8   | 21.9   | 21.6   | 21.7   | 21.6   | 21.5   | 21.5   | 21.5   |
|                 | 64QAM      | 1             | 0         | 22.1                    | 21.9   | 22.3   | 21.1   | 20.8   | 21.2   | 21.0   | 21.2   | 21.3   | 21.4   | 21.1   | 20.7   |
|                 |            | 1             | 1         | 22.1                    | 22.0   | 22.3   | 21.3   | 21.3   | 21.6   | 21.0   | 21.0   | 21.3   | 21.4   | 21.2   | 21.1   |
|                 |            | 1             | 243       | 22.1                    | 22.2   | 22.2   | 21.4   | 20.9   | 21.6   | 21.1   | 21.2   | 21.3   | 21.2   | 20.8   | 20.7   |
|                 |            | 1             | 244       | 22.2                    | 22.3   | 22.3   | 21.2   | 20.9   | 21.5   | 21.1   | 21.1   | 21.2   | 21.2   | 21.0   | 20.6   |
|                 |            | 120           | 60        | 22.2                    | 22.1   | 22.1   | 21.3   | 21.3   | 21.2   | 21.2   | 21.1   | 21.0   | 21.0   | 21.0   | 21.0   |
|                 |            | 243           | 0         | 22.1                    | 22.2   | 22.2   | 21.2   | 21.3   | 21.3   | 21.0   | 21.0   | 21.0   | 21.0   | 21.0   | 21.0   |
|                 | 256QAM     | 1             | 0         | 20.4                    | 19.9   | 20.1   | 19.4   | 19.5   | 19.4   | 19.0   | 18.7   | 19.4   | 18.8   | 19.2   | 19.0   |
|                 |            | 1             | 1         | 20.2                    | 20.1   | 20.4   | 19.5   | 19.6   | 19.8   | 19.2   | 18.9   | 19.5   | 19.1   | 19.3   | 19.0   |
|                 |            | 1             | 243       | 20.4                    | 20.5   | 20.3   | 19.7   | 19.9   | 19.4   | 19.3   | 18.9   | 19.2   | 18.9   | 19.1   | 18.7   |
|                 |            | 1             | 244       | 20.3                    | 20.4   | 20.2   | 19.4   | 19.7   | 19.3   | 19.2   | 19.0   | 19.2   | 18.6   | 19.0   | 18.8   |
|                 |            | 120           | 60        | 20.2                    | 20.1   | 20.1   | 19.3   | 19.3   | 19.2   | 19.0   | 19.1   | 19.2   | 19.0   | 18.9   | 19.0   |
|                 |            | 243           | 0         | 20.1                    | 20.2   | 20.1   | 19.3   | 19.3   | 19.3   | 19.1   | 19.2   | 19.0   | 19.0   | 19.0   | 19.1   |

**OUTPUT POWER FOR 5G NR n77 (100.0 MHz)**

| Bandwidth (MHz) | Modulation | RB Allocation | RB Offset | Conducted Average (dBm) |        |     |       |        |     |       |        |     |       |        |     |
|-----------------|------------|---------------|-----------|-------------------------|--------|-----|-------|--------|-----|-------|--------|-----|-------|--------|-----|
|                 |            |               |           | ANT 6                   |        |     | ANT 7 |        |     | ANT 1 |        |     | ANT 5 |        |     |
|                 |            |               |           | N/A                     | 633332 | N/A | N/A   | 633332 | N/A | N/A   | 633332 | N/A | N/A   | 633332 | N/A |
| 100.0           | BPSK       | 1             | 0         | 24.2                    |        |     | 23.3  |        |     | 22.7  |        |     | 22.8  |        |     |
|                 |            | 1             | 1         | 24.8                    |        |     | 24.0  |        |     | 23.6  |        |     | 23.6  |        |     |
|                 |            | 1             | 271       | 24.8                    |        |     | 24.0  |        |     | 23.7  |        |     | 23.5  |        |     |
|                 |            | 1             | 272       | 24.1                    |        |     | 23.3  |        |     | 23.1  |        |     | 22.7  |        |     |
|                 |            | 135           | 67        | 24.6                    |        |     | 23.7  |        |     | 23.7  |        |     | 23.5  |        |     |
|                 |            | 270           | 0         | 24.2                    |        |     | 23.3  |        |     | 23.2  |        |     | 23.0  |        |     |
|                 | QPSK       | 1             | 0         | 23.5                    |        |     | 22.8  |        |     | 22.5  |        |     | 22.3  |        |     |
|                 |            | 1             | 1         | 24.7                    |        |     | 24.0  |        |     | 23.6  |        |     | 23.6  |        |     |
|                 |            | 1             | 271       | 24.9                    |        |     | 23.9  |        |     | 23.7  |        |     | 23.5  |        |     |
|                 |            | 1             | 272       | 23.7                    |        |     | 22.7  |        |     | 22.5  |        |     | 22.4  |        |     |
|                 |            | 135           | 67        | 24.7                    |        |     | 23.8  |        |     | 23.7  |        |     | 23.5  |        |     |
|                 |            | 270           | 0         | 23.8                    |        |     | 22.9  |        |     | 22.6  |        |     | 22.4  |        |     |
|                 | 16QAM      | 1             | 0         | 22.7                    |        |     | 21.7  |        |     | 21.6  |        |     | 20.9  |        |     |
|                 |            | 1             | 1         | 23.8                    |        |     | 23.1  |        |     | 22.8  |        |     | 22.2  |        |     |
|                 |            | 1             | 271       | 23.9                    |        |     | 23.1  |        |     | 22.8  |        |     | 22.1  |        |     |
|                 |            | 1             | 272       | 22.8                    |        |     | 22.0  |        |     | 21.6  |        |     | 20.8  |        |     |
|                 |            | 135           | 67        | 23.7                    |        |     | 22.8  |        |     | 22.8  |        |     | 22.5  |        |     |
|                 |            | 270           | 0         | 22.7                    |        |     | 21.8  |        |     | 21.7  |        |     | 21.4  |        |     |
|                 | 64QAM      | 1             | 0         | 22.0                    |        |     | 21.3  |        |     | 21.0  |        |     | 20.9  |        |     |
|                 |            | 1             | 1         | 22.1                    |        |     | 21.2  |        |     | 21.3  |        |     | 20.6  |        |     |
|                 |            | 1             | 271       | 22.3                    |        |     | 21.4  |        |     | 21.2  |        |     | 21.0  |        |     |
|                 |            | 1             | 272       | 22.2                    |        |     | 21.3  |        |     | 21.0  |        |     | 20.9  |        |     |
|                 |            | 135           | 67        | 22.2                    |        |     | 21.3  |        |     | 21.1  |        |     | 21.0  |        |     |
|                 |            | 270           | 0         | 22.2                    |        |     | 21.3  |        |     | 21.1  |        |     | 20.9  |        |     |
|                 | 256QAM     | 1             | 0         | 20.3                    |        |     | 19.3  |        |     | 18.6  |        |     | 19.0  |        |     |
|                 |            | 1             | 1         | 20.3                    |        |     | 19.4  |        |     | 18.7  |        |     | 19.3  |        |     |
|                 |            | 1             | 271       | 20.4                    |        |     | 19.5  |        |     | 19.0  |        |     | 19.1  |        |     |
|                 |            | 1             | 272       | 20.3                    |        |     | 19.5  |        |     | 18.8  |        |     | 18.8  |        |     |
|                 |            | 135           | 67        | 20.1                    |        |     | 19.3  |        |     | 19.0  |        |     | 18.9  |        |     |
|                 |            | 270           | 0         | 20.2                    |        |     | 19.3  |        |     | 19.1  |        |     | 19.0  |        |     |









**OUTPUT POWER FOR 5G NR n77 (50.0 MHz)**

| Bandwidth (MHz) | Modulation | RB Allocation | RB Offset | Conducted Average (dBm) |                  |                  |                  |                  |                  |                  |                  |                  |                  |                  |                  |
|-----------------|------------|---------------|-----------|-------------------------|------------------|------------------|------------------|------------------|------------------|------------------|------------------|------------------|------------------|------------------|------------------|
|                 |            |               |           | ANT 6                   |                  |                  | ANT 7            |                  |                  | ANT 1            |                  |                  | ANT 5            |                  |                  |
|                 |            |               |           | 631666<br>3475.0        | 633332<br>3500.0 | 634998<br>3525.0 | 631666<br>3475.0 | 633332<br>3500.0 | 634998<br>3525.0 | 631666<br>3475.0 | 633332<br>3500.0 | 634998<br>3525.0 | 631666<br>3475.0 | 633332<br>3500.0 | 634998<br>3525.0 |
| 50.0            | BPSK       | 1             | 0         | 22.9                    | 23.1             | 22.9             | 22.5             | 22.3             | 22.2             | 23.2             | 23.5             | 23.4             | 22.7             | 22.8             | 21.6             |
|                 |            | 1             | 1         | 25.4                    | <b>26.5</b>      | 26.5             | <b>26.0</b>      | 25.9             | 25.7             | 25.2             | 25.5             | 25.4             | 24.7             | 24.7             | 23.8             |
|                 |            | 1             | 131       | 25.7                    | 26.4             | 26.4             | 25.8             | 25.6             | 25.6             | <b>25.5</b>      | 24.7             | 24.6             | <b>25.0</b>      | 25.0             | 23.9             |
|                 |            | 1             | 132       | 23.1                    | 22.9             | 22.9             | 22.3             | 22.1             | 22.1             | 23.5             | 22.7             | 22.6             | 22.9             | 22.7             | 21.8             |
|                 |            | 64            | 32        | 25.5                    | 26.4             | 26.2             | 25.9             | 25.7             | 25.6             | 24.4             | 25.4             | 24.7             | 24.9             | 24.8             | 23.8             |
|                 |            | 128           | 0         | 25.5                    | 25.9             | 25.9             | 25.3             | 25.3             | 25.1             | 25.3             | 25.3             | 24.8             | 24.8             | 24.9             | 23.7             |
|                 | QPSK       | 1             | 0         | 22.9                    | 23.0             | 23.0             | 22.4             | 22.3             | 22.2             | 22.6             | 22.9             | 22.8             | 22.1             | 22.3             | 21.2             |
|                 |            | 1             | 1         | 25.5                    | 26.5             | <b>26.6</b>      | <b>26.0</b>      | 25.9             | 25.7             | 25.2             | 25.4             | 25.4             | 24.6             | 24.7             | 23.6             |
|                 |            | 1             | 131       | 25.6                    | 26.3             | 26.4             | 25.8             | 25.7             | 25.7             | <b>25.5</b>      | 24.8             | 24.6             | 25.0             | <b>25.0</b>      | 23.7             |
|                 |            | 1             | 132       | 23.1                    | 22.8             | 22.9             | 22.3             | 22.1             | 22.3             | 25.2             | 22.3             | 22.1             | 22.4             | 22.5             | 21.2             |
|                 |            | 64            | 32        | 25.5                    | 26.5             | 26.3             | 25.8             | 25.7             | 25.6             | 25.4             | 24.7             | 24.8             | 24.8             | 24.8             | 23.7             |
|                 |            | 128           | 0         | 25.4                    | 25.4             | 25.3             | 24.7             | 24.7             | 24.6             | 25.3             | 25.4             | 24.8             | 24.8             | 24.7             | 23.8             |
|                 | 16QAM      | 1             | 0         | 22.9                    | 23.1             | 22.8             | 22.5             | 22.4             | 22.5             | 22.7             | 23.0             | 22.9             | 22.0             | 22.5             | 21.1             |
|                 |            | 1             | 1         | 25.5                    | 25.5             | 25.3             | 25.0             | 24.8             | <b>25.0</b>      | 25.2             | 25.5             | 25.4             | 24.4             | <b>25.0</b>      | 23.6             |
|                 |            | 1             | 131       | 25.4                    | <b>25.5</b>      | 25.0             | 24.8             | 24.6             | 24.9             | <b>25.5</b>      | 24.8             | 24.6             | 24.7             | <b>25.0</b>      | 23.7             |
|                 |            | 1             | 132       | 22.9                    | 22.6             | 22.6             | 22.5             | 22.0             | 22.5             | 23.0             | 22.1             | 22.1             | 22.3             | 22.5             | 21.1             |
|                 |            | 64            | 32        | 25.5                    | 25.5             | 25.3             | 24.8             | 24.7             | 24.6             | 25.3             | 25.4             | 24.7             | 24.9             | 24.9             | 23.7             |
|                 |            | 128           | 0         | 24.5                    | 24.4             | 24.4             | 23.8             | 23.7             | 23.5             | 25.3             | 25.3             | 24.8             | 24.8             | 24.8             | 23.7             |
|                 | 64QAM      | 1             | 0         | 22.9                    | 23.0             | 23.0             | 22.3             | 22.5             | 22.1             | 22.6             | 23.0             | 23.0             | 22.3             | 22.4             | 21.2             |
|                 |            | 1             | 1         | <b>24.1</b>             | 24.1             | 24.0             | 23.4             | <b>23.5</b>      | 23.1             | 25.2             | 25.5             | <b>25.5</b>      | 24.8             | 24.7             | 23.3             |
|                 |            | 1             | 131       | 24.0                    | 24.0             | 24.0             | 23.3             | 23.3             | 23.0             | 25.4             | 24.7             | 24.7             | 24.8             | 24.7             | 23.7             |
|                 |            | 1             | 132       | 23.2                    | 22.8             | 23.2             | 22.2             | 22.1             | 22.2             | 22.8             | 22.2             | 22.2             | 22.4             | 22.4             | 21.4             |
|                 |            | 64            | 32        | 24.0                    | 24.0             | 23.8             | 23.4             | 23.2             | 23.2             | 25.3             | 25.4             | 24.7             | 24.8             | 24.7             | 23.7             |
|                 |            | 128           | 0         | 23.9                    | 24.1             | 23.6             | 23.3             | 23.2             | 23.1             | 25.4             | 25.4             | 24.8             | <b>24.9</b>      | 24.8             | 23.7             |
|                 | 256QAM     | 1             | 0         | 22.0                    | 21.9             | 22.0             | 21.4             | <b>21.6</b>      | 21.2             | 22.8             | <b>23.1</b>      | 22.7             | 21.9             | 22.5             | 21.1             |
|                 |            | 1             | 1         | 22.0                    | <b>22.5</b>      | 22.1             | 21.5             | 21.2             | 21.2             | 22.8             | 23.1             | 22.7             | 22.1             | 22.1             | 21.1             |
|                 |            | 1             | 131       | 22.1                    | 21.9             | 21.9             | 21.3             | 21.0             | 21.2             | 23.0             | 22.4             | 21.9             | 22.5             | <b>22.6</b>      | 21.2             |
|                 |            | 1             | 132       | 22.1                    | 21.8             | 22.1             | 21.3             | 21.4             | 21.1             | 22.9             | 22.3             | 22.0             | 22.5             | 22.5             | 21.9             |
|                 |            | 64            | 32        | 22.0                    | 22.1             | 21.8             | 21.4             | 21.2             | 21.1             | 22.8             | 22.8             | 22.3             | 22.3             | 22.3             | 21.2             |
|                 |            | 128           | 0         | 22.0                    | 22.0             | 21.7             | 21.4             | 21.2             | 21.2             | 22.9             | 22.9             | 22.3             | 22.3             | 22.2             | 21.1             |

**OUTPUT POWER FOR 5G NR n77 (60.0 MHz)**

| Bandwidth (MHz) | Modulation | RB Allocation | RB Offset | Conducted Average (dBm) |                  |                  |                  |                  |                  |                  |                  |                  |                  |                  |                  |
|-----------------|------------|---------------|-----------|-------------------------|------------------|------------------|------------------|------------------|------------------|------------------|------------------|------------------|------------------|------------------|------------------|
|                 |            |               |           | ANT 6                   |                  |                  | ANT 7            |                  |                  | ANT 1            |                  |                  | ANT 5            |                  |                  |
|                 |            |               |           | 632000<br>3480.0        | 633332<br>3500.0 | 634666<br>3520.0 | 632000<br>3480.0 | 633332<br>3500.0 | 634666<br>3520.0 | 632000<br>3480.0 | 633332<br>3500.0 | 634666<br>3520.0 | 632000<br>3480.0 | 633332<br>3500.0 | 634666<br>3520.0 |
| 60.0            | BPSK       | 1             | 0         | 22.9                    | 23.0             | 23.0             | 22.5             | 22.3             | 22.3             | 23.2             | 23.3             | 23.4             | 22.5             | 22.8             | 21.7             |
|                 |            | 1             | 1         | 25.4                    | 26.4             | 26.5             | <b>25.9</b>      | 25.9             | 25.8             | 25.2             | 25.4             | <b>25.5</b>      | 24.6             | 24.7             | 23.7             |
|                 |            | 1             | 160       | 25.6                    | 26.2             | 26.4             | 25.7             | 25.6             | 25.7             | 25.4             | 25.3             | 24.9             | 24.8             | <b>25.0</b>      | 23.8             |
|                 |            | 1             | 161       | 22.9                    | 22.7             | 22.9             | 22.2             | 22.1             | 22.1             | 23.2             | 22.7             | 22.6             | 22.9             | 22.9             | 21.7             |
|                 |            | 81            | 40        | 25.5                    | <b>26.6</b>      | 26.4             | 25.8             | 25.7             | 25.6             | 25.4             | 22.4             | 24.8             | 24.9             | 24.8             | 23.8             |
|                 |            | 162           | 0         | 25.6                    | 25.9             | 25.9             | 25.2             | 25.3             | 25.1             | 25.4             | 25.3             | 24.9             | 24.8             | 24.9             | 23.8             |
|                 | QPSK       | 1             | 0         | 22.9                    | 23.0             | 23.1             | 22.5             | 22.4             | 22.2             | 22.6             | 22.8             | 23.0             | 22.0             | 22.2             | 21.1             |
|                 |            | 1             | 1         | 25.4                    | <b>26.5</b>      | 26.4             | <b>26.0</b>      | 25.8             | 25.9             | 25.1             | 25.4             | <b>25.5</b>      | 24.6             | 24.7             | 23.7             |
|                 |            | 1             | 160       | 25.6                    | 26.3             | 26.4             | 25.7             | 25.7             | 25.5             | 25.2             | 24.7             | 24.6             | <b>25.0</b>      | 24.9             | 23.8             |
|                 |            | 1             | 161       | 23.1                    | 22.8             | 22.8             | 22.1             | 22.1             | 22.1             | 22.7             | 22.2             | 22.1             | 22.2             | 22.3             | 21.2             |
|                 |            | 81            | 40        | 25.5                    | 26.4             | 26.2             | 25.7             | 25.7             | 25.6             | 25.4             | 25.4             | 24.8             | 24.9             | 24.9             | 23.6             |
|                 |            | 162           | 0         | 25.6                    | 25.5             | 25.4             | 24.8             | 24.7             | 24.6             | 25.4             | 25.4             | 24.9             | 24.9             | 24.9             | 23.6             |
|                 | 16QAM      | 1             | 0         | 23.1                    | 22.7             | 22.9             | 22.6             | 22.0             | 22.2             | 22.8             | 22.6             | 23.1             | 22.0             | 22.1             | 20.8             |
|                 |            | 1             | 1         | 25.5                    | 25.2             | 25.5             | <b>25.1</b>      | 24.5             | 24.7             | 25.3             | 25.3             | <b>25.6</b>      | 24.4             | 24.6             | 23.7             |
|                 |            | 1             | 160       | <b>25.6</b>             | 25.1             | 25.3             | 24.8             | 24.6             | 24.6             | 25.4             | 24.6             | 24.5             | 24.9             | 24.7             | 23.9             |
|                 |            | 1             | 161       | 23.1                    | 22.4             | 22.8             | 22.4             | 22.1             | 22.1             | 22.9             | 22.0             | 22.1             | 22.3             | 22.0             | 21.1             |
|                 |            | 81            | 40        | 25.4                    | 25.5             | 25.4             | 24.8             | 24.7             | 24.6             | 25.4             | 25.4             | 24.8             | <b>24.9</b>      | 24.7             | 23.7             |
|                 |            | 162           | 0         | 24.5                    | 24.5             | 24.3             | 23.8             | 23.7             | 23.7             | 25.4             | 25.4             | 24.9             | 24.9             | 24.8             | 23.7             |
|                 | 64QAM      | 1             | 0         | 23.3                    | 23.3             | 22.8             | 22.2             | 22.5             | 22.4             | 22.4             | 23.0             | 23.1             | 22.0             | 22.0             | 21.1             |
|                 |            | 1             | 1         | 23.8                    | <b>24.4</b>      | 23.7             | 23.4             | 23.5             | <b>23.7</b>      | 25.1             | <b>25.4</b>      | 25.2             | 24.4             | 24.7             | 23.6             |
|                 |            | 1             | 160       | <b>24.4</b>             | 24.3             | 23.8             | 23.0             | 23.3             | 23.6             | 25.2             | 24.7             | 24.3             | 24.6             | 24.7             | 23.7             |
|                 |            | 1             | 161       | 23.5                    | 22.9             | 22.9             | 21.9             | 22.0             | 22.6             | 22.8             | 22.0             | 22.3             | 22.2             | 22.2             | 21.3             |
|                 |            | 81            | 40        | 24.0                    | 24.0             | 23.9             | 23.2             | 23.2             | 23.1             | 25.4             | 25.4             | 24.9             | 24.8             | 24.8             | 23.5             |
|                 |            | 162           | 0         | 24.0                    | 23.9             | 23.8             | 23.3             | 23.2             | 23.1             | 25.4             | 25.3             | 24.9             | 24.8             | <b>24.8</b>      | 23.7             |
|                 | 256QAM     | 1             | 0         | 21.7                    | 21.8             | 22.0             | <b>21.8</b>      | 21.0             | 21.5             | 22.7             | 22.8             | 22.9             | 22.4             | 22.1             | 21.0             |
|                 |            | 1             | 1         | 22.0                    | 21.8             | 22.0             | 21.4             | 21.5             | 21.4             | 22.7             | 22.8             | <b>22.9</b>      | 22.2             | 22.3             | 21.0             |
|                 |            | 1             | 160       | 21.7                    | 21.7             | <b>22.1</b>      | 21.3             | 20.9             | 21.3             | 22.7             | 22.1             | 22.0             | <b>22.7</b>      | 22.4             | 21.2             |
|                 |            | 1             | 161       | 21.8                    | 21.7             | <b>22.1</b>      | 21.1             | 20.9             | 21.4             | 22.7             | 22.1             | 22.0             | <b>22.7</b>      | 22.3             | 21.2             |
|                 |            | 81            | 40        | <b>22.1</b>             | 21.9             | 21.9             | 21.3             | 21.2             | 21.0             | 22.9             | 22.8             | 22.3             | 22.3             | 22.3             | 21.1             |
|                 |            | 162           | 0         | 22.0                    | 22.0             | 21.9             | 21.2             | 21.2             | 21.1             | 22.9             | 22.9             | 22.4             | 22.3             | 22.3             | 21.0             |



**OUTPUT POWER FOR 5G NR n77 (90.0 MHz)**

| Bandwidth (MHz) | Modulation | RB Allocation | RB Offset | Conducted Average (dBm) |             |             |             |             |        |             |             |             |             |             |        |
|-----------------|------------|---------------|-----------|-------------------------|-------------|-------------|-------------|-------------|--------|-------------|-------------|-------------|-------------|-------------|--------|
|                 |            |               |           | ANT 6                   |             |             | ANT 7       |             |        | ANT 1       |             |             | ANT 5       |             |        |
|                 |            |               |           | 633000                  | 633332      | 633666      | 633000      | 633332      | 633666 | 633000      | 633332      | 633666      | 633000      | 633332      | 633666 |
| 90.0            | BPSK       | 1             | 0         | 22.9                    | 23.0        | 23.0        | 22.6        | 22.6        | 22.5   | 23.3        | 23.3        | 22.6        | 22.5        | 21.5        |        |
|                 |            | 1             | 1         | 25.6                    | 25.6        | <b>26.8</b> | 25.4        | 25.5        | 25.2   | 25.4        | <b>25.5</b> | 25.4        | 24.6        | 23.6        |        |
|                 |            | 1             | 243       | 25.6                    | 25.5        | 26.6        | 25.6        | 25.4        | 25.6   | 23.9        | 22.6        | 21.8        | <b>25.0</b> | 25.0        | 23.9   |
|                 |            | 1             | 244       | 23.0                    | 23.0        | 23.0        | 22.3        | 22.2        | 22.2   | 25.4        | 25.4        | 25.3        | 22.9        | 22.9        | 21.8   |
|                 |            | 120           | 60        | 25.4                    | 25.6        | 26.5        | <b>25.8</b> | 25.8        | 25.8   | <b>25.5</b> | 25.4        | 25.3        | 24.8        | 24.8        | 23.6   |
|                 |            | 243           | 0         | 25.7                    | 25.6        | 26.1        | 25.3        | 25.2        | 25.3   | 25.4        | 25.4        | 25.3        | 24.8        | 24.8        | 23.6   |
|                 | QPSK       | 1             | 0         | 22.9                    | 22.8        | 23.2        | 22.5        | 22.5        | 22.5   | 22.8        | 22.8        | 22.9        | 22.0        | 22.0        | 20.9   |
|                 |            | 1             | 1         | 25.5                    | 25.6        | <b>26.7</b> | 25.6        | 25.6        | 25.3   | 25.4        | <b>25.5</b> | 25.4        | 24.7        | 24.7        | 23.5   |
|                 |            | 1             | 243       | 25.6                    | 25.5        | 26.5        | 25.5        | 25.4        | 25.5   | 24.8        | 24.8        | 24.8        | <b>25.0</b> | 25.0        | 23.7   |
|                 |            | 1             | 244       | 23.0                    | 22.9        | 23.0        | 22.4        | 22.2        | 22.2   | 22.2        | 22.2        | 22.3        | 22.4        | 22.4        | 21.2   |
|                 |            | 120           | 60        | 25.5                    | 25.5        | 26.5        | 25.8        | <b>25.8</b> | 25.7   | 25.5        | 25.4        | 25.3        | 24.8        | 24.8        | 23.7   |
|                 |            | 243           | 0         | 25.6                    | 25.6        | 25.6        | 24.8        | 24.7        | 24.9   | 25.4        | 25.2        | 25.3        | 24.8        | 24.8        | 23.6   |
|                 | 16QAM      | 1             | 0         | 22.9                    | 22.9        | 23.1        | 22.5        | 22.4        | 22.4   | 23.0        | 22.8        | 23.0        | 22.0        | 21.9        | 21.0   |
|                 |            | 1             | 1         | 25.6                    | 25.6        | <b>25.9</b> | 25.0        | <b>25.1</b> | 25.0   | <b>25.7</b> | 25.4        | 25.5        | 24.7        | 24.8        | 23.4   |
|                 |            | 1             | 243       | 25.7                    | 25.4        | 25.5        | 24.6        | 24.8        | 24.8   | 24.9        | 24.8        | 24.9        | <b>25.0</b> | <b>25.0</b> | 23.9   |
|                 |            | 1             | 244       | 22.9                    | 23.0        | 23.1        | 22.1        | 22.3        | 22.1   | 22.1        | 22.3        | 22.4        | 22.4        | 22.3        | 21.3   |
|                 |            | 120           | 60        | 25.5                    | 25.5        | 25.6        | 24.6        | 24.7        | 24.7   | 25.5        | 25.4        | 25.3        | 24.8        | 24.8        | 23.7   |
|                 |            | 243           | 0         | 24.6                    | 24.5        | 24.5        | 23.7        | 23.8        | 23.7   | 25.4        | 25.4        | 25.3        | 24.9        | 24.8        | 23.6   |
|                 | 64QAM      | 1             | 0         | 22.9                    | 23.4        | 22.9        | 22.5        | 22.6        | 22.5   | 22.8        | 23.0        | 22.9        | 21.7        | 22.3        | 20.8   |
|                 |            | 1             | 1         | 23.9                    | <b>24.5</b> | 24.3        | <b>23.9</b> | 23.7        | 23.6   | 25.4        | <b>25.6</b> | 25.5        | 24.5        | <b>25.0</b> | 23.4   |
|                 |            | 1             | 243       | 23.9                    | 24.1        | 24.2        | 23.4        | 23.5        | 23.3   | 24.8        | 24.9        | 24.8        | 24.8        | <b>25.0</b> | 23.9   |
|                 |            | 1             | 244       | 22.7                    | 23.2        | 23.1        | 22.5        | 22.2        | 22.2   | 22.2        | 22.2        | 22.2        | 22.2        | 22.3        | 21.4   |
|                 |            | 120           | 60        | 24.0                    | 24.0        | 24.0        | 23.2        | 23.2        | 23.2   | 25.4        | 25.4        | 25.3        | 25.0        | 24.8        | 23.6   |
|                 |            | 243           | 0         | 24.1                    | 24.1        | 24.1        | 23.3        | 23.3        | 23.2   | 25.4        | 25.4        | 25.3        | 24.8        | 24.7        | 23.6   |
|                 | 256QAM     | 1             | 0         | 22.0                    | 22.3        | 22.1        | 21.5        | 21.4        | 21.3   | 23.0        | 22.8        | 22.9        | 22.3        | 22.2        | 21.1   |
|                 |            | 1             | 1         | 22.1                    | 22.1        | <b>22.4</b> | <b>21.6</b> | 21.5        | 21.5   | 23.1        | 22.9        | <b>23.1</b> | 22.2        | 22.3        | 20.6   |
|                 |            | 1             | 243       | 22.1                    | 22.3        | 22.0        | 21.3        | 21.0        | 21.3   | 22.4        | 22.2        | 22.5        | 22.6        | 22.3        | 21.0   |
|                 |            | 1             | 244       | 22.3                    | 22.4        | 22.0        | 21.2        | 20.9        | 21.2   | 22.4        | 22.1        | 22.4        | <b>22.7</b> | 22.4        | 21.4   |
|                 |            | 120           | 60        | 22.1                    | 22.0        | 22.0        | 21.2        | 21.3        | 21.3   | 23.0        | 22.9        | 22.8        | 22.3        | 22.3        | 21.1   |
|                 |            | 243           | 0         | 22.1                    | 22.1        | 22.0        | 21.3        | 21.2        | 21.2   | 22.9        | 22.9        | 22.8        | 22.4        | 22.3        | 21.1   |

**OUTPUT POWER FOR 5G NR n77 (100.0 MHz)**

| Bandwidth (MHz) | Modulation | RB Allocation | RB Offset | Conducted Average (dBm) |             |     |       |        |     |       |             |             |       |        |             |
|-----------------|------------|---------------|-----------|-------------------------|-------------|-----|-------|--------|-----|-------|-------------|-------------|-------|--------|-------------|
|                 |            |               |           | ANT 6                   |             |     | ANT 7 |        |     | ANT 1 |             |             | ANT 5 |        |             |
|                 |            |               |           | N/A                     | 633332      | N/A | N/A   | 633332 | N/A | N/A   | 633332      | N/A         | N/A   | 633332 | N/A         |
| 100.0           | BPSK       | 1             | 0         |                         | 23.0        |     |       |        |     |       | 23.3        |             |       | 22.5   |             |
|                 |            | 1             | 1         |                         | <b>25.8</b> |     |       |        |     |       | <b>25.5</b> |             |       | 24.6   |             |
|                 |            | 1             | 271       |                         | 25.7        |     |       |        |     |       |             | 24.0        |       |        | <b>24.9</b> |
|                 |            | 1             | 272       |                         | 23.1        |     |       |        |     |       |             | 25.4        |       |        | 22.9        |
|                 |            | 135           | 67        |                         | 25.5        |     |       |        |     |       |             | 25.4        |       |        | 24.8        |
|                 |            | 270           | 0         |                         | 25.6        |     |       |        |     |       |             | 25.4        |       |        | 24.8        |
|                 | QPSK       | 1             | 0         |                         | 23.0        |     |       |        |     |       |             | 22.8        |       |        | 21.8        |
|                 |            | 1             | 1         |                         | <b>25.8</b> |     |       |        |     |       |             | 25.4        |       |        | 24.5        |
|                 |            | 1             | 271       |                         | 25.7        |     |       |        |     |       |             | 24.9        |       |        | <b>24.9</b> |
|                 |            | 1             | 272       |                         | 23.1        |     |       |        |     |       |             | 22.3        |       |        | 22.2        |
|                 |            | 135           | 67        |                         | 25.6        |     |       |        |     |       |             | 25.7        |       |        | 24.8        |
|                 |            | 270           | 0         |                         | 25.5        |     |       |        |     |       |             | 25.4        |       |        | 24.8        |
|                 | 16QAM      | 1             | 0         |                         | 22.8        |     |       |        |     |       |             | 22.9        |       |        | 22.0        |
|                 |            | 1             | 1         |                         | <b>25.6</b> |     |       |        |     |       |             | <b>25.5</b> |       |        | 24.5        |
|                 |            | 1             | 271       |                         | 25.5        |     |       |        |     |       |             | 24.9        |       |        | <b>25.0</b> |
|                 |            | 1             | 272       |                         | 22.8        |     |       |        |     |       |             | 22.3        |       |        | 22.5        |
|                 |            | 135           | 67        |                         | 25.5        |     |       |        |     |       |             | 25.4        |       |        | 24.8        |
|                 |            | 270           | 0         |                         | 24.7        |     |       |        |     |       |             | 25.4        |       |        | 24.8        |
|                 | 64QAM      | 1             | 0         |                         | 22.9        |     |       |        |     |       |             | 22.8        |       |        | 22.3        |
|                 |            | 1             | 1         |                         | 24.0        |     |       |        |     |       |             | <b>25.5</b> |       |        | 24.9        |
|                 |            | 1             | 271       |                         | <b>24.5</b> |     |       |        |     |       |             | 25.0        |       |        | <b>25.3</b> |
|                 |            | 1             | 272       |                         | 22.8        |     |       |        |     |       |             | 22.2        |       |        | 22.6        |
|                 |            | 135           | 67        |                         | 24.0        |     |       |        |     |       |             | 25.4        |       |        | 24.8        |
|                 |            | 270           | 0         |                         | 24.0        |     |       |        |     |       |             | 25.4        |       |        | 24.8        |
|                 | 256QAM     | 1             | 0         |                         | 21.7        |     |       |        |     |       |             | 22.9        |       |        | 21.9        |
|                 |            | 1             | 1         |                         | <b>22.3</b> |     |       |        |     |       |             | <b>23.1</b> |       |        | 22.1        |
|                 |            | 1             | 271       |                         | 22.1        |     |       |        |     |       |             | 22.5        |       |        | 22.3        |
|                 |            | 1             | 272       |                         | 21.9        |     |       |        |     |       |             | 22.4        |       |        | <b>22.4</b> |
|                 |            | 135           | 67        |                         | 22.1        |     |       |        |     |       |             | 22.9        |       |        | 22.3        |
|                 |            | 270           | 0         |                         | 22.0        |     |       |        |     |       |             | 22.9        |       |        | 22.3        |











**OUTPUT POWER FOR 5G NR n77 (70.0 MHz)**

| Bandwidth (MHz) | Modulation | RB Allocation | RB Offset | Conducted Average (dBm) |        |        |        |        |        |        |        |        |        |        |        |
|-----------------|------------|---------------|-----------|-------------------------|--------|--------|--------|--------|--------|--------|--------|--------|--------|--------|--------|
|                 |            |               |           | ANT 6                   |        |        | ANT 7  |        |        | ANT 1  |        |        | ANT 5  |        |        |
|                 |            |               |           | 649000                  | 656000 | 663000 | 649000 | 656000 | 663000 | 649000 | 656000 | 663000 | 649000 | 656000 | 663000 |
| 70.0            | BPSK       | 1             | 0         | 24.2                    | 24.5   | 24.4   | 23.1   | 23.4   | 23.3   | 23.6   | 23.0   | 22.6   | 22.8   | 23.3   | 23.3   |
|                 |            | 1             | 1         | 24.7                    | 24.5   | 24.4   | 23.6   | 24.0   | 24.1   | 24.2   | 22.8   | 23.1   | 23.3   | 23.9   | 23.9   |
|                 |            | 1             | 187       | 25.0                    | 24.4   | 24.9   | 23.9   | 24.4   | 23.8   | 23.5   | 23.1   | 23.6   | 23.9   | 23.8   | 23.7   |
|                 |            | 1             | 188       | 24.3                    | 24.8   | 24.4   | 23.4   | 23.8   | 23.4   | 23.0   | 22.6   | 23.2   | 23.5   | 23.3   | 23.1   |
|                 |            | 90            | 45        | 24.7                    | 24.5   | 24.7   | 23.8   | 24.2   | 23.8   | 23.5   | 23.2   | 23.7   | 23.6   | 23.7   | 23.5   |
|                 |            | 180           | 0         | 24.2                    | 24.6   | 24.3   | 23.2   | 23.6   | 23.3   | 23.0   | 22.7   | 23.1   | 23.1   | 23.3   | 23.2   |
|                 | QPSK       | 1             | 0         | 23.7                    | 24.1   | 24.0   | 22.6   | 22.9   | 23.1   | 22.7   | 22.5   | 22.2   | 22.3   | 22.8   | 22.7   |
|                 |            | 1             | 1         | 24.8                    | 25.0   | 24.9   | 23.6   | 24.0   | 24.2   | 23.7   | 23.4   | 23.2   | 23.3   | 23.9   | 23.8   |
|                 |            | 1             | 187       | 24.8                    | 24.4   | 24.8   | 24.1   | 24.4   | 23.9   | 23.4   | 23.2   | 23.7   | 23.9   | 23.7   | 23.7   |
|                 |            | 1             | 188       | 23.8                    | 24.2   | 23.9   | 23.0   | 23.3   | 23.0   | 22.4   | 22.1   | 22.6   | 22.9   | 22.7   | 22.7   |
|                 |            | 90            | 45        | 24.7                    | 24.5   | 24.8   | 23.6   | 24.2   | 23.8   | 23.5   | 23.1   | 23.7   | 23.6   | 23.7   | 23.7   |
|                 |            | 180           | 0         | 23.7                    | 24.1   | 23.6   | 22.6   | 23.3   | 22.7   | 22.5   | 22.1   | 22.6   | 22.6   | 22.7   | 22.7   |
|                 | 16QAM      | 1             | 0         | 22.8                    | 22.9   | 22.9   | 21.6   | 21.9   | 22.0   | 21.7   | 21.5   | 21.2   | 21.2   | 21.5   | 21.9   |
|                 |            | 1             | 1         | 24.0                    | 23.9   | 23.7   | 22.6   | 22.7   | 23.0   | 22.7   | 22.7   | 22.1   | 22.2   | 23.0   | 23.0   |
|                 |            | 1             | 187       | 23.9                    | 24.4   | 23.7   | 22.6   | 23.2   | 23.0   | 22.6   | 22.3   | 22.6   | 22.8   | 22.5   | 22.6   |
|                 |            | 1             | 188       | 23.2                    | 23.1   | 22.6   | 22.0   | 22.5   | 21.9   | 21.5   | 21.3   | 21.5   | 22.1   | 21.8   | 21.8   |
|                 |            | 90            | 45        | 23.8                    | 24.2   | 23.6   | 22.7   | 23.1   | 22.9   | 22.5   | 22.5   | 22.7   | 22.6   | 22.6   | 22.5   |
|                 |            | 180           | 0         | 22.7                    | 23.2   | 22.6   | 21.6   | 22.2   | 21.8   | 21.5   | 21.5   | 21.6   | 21.6   | 21.7   | 21.5   |
|                 | 64QAM      | 1             | 0         | 22.3                    | 22.3   | 22.4   | 21.2   | 21.6   | 21.3   | 21.2   | 21.1   | 20.8   | 20.9   | 21.2   | 21.2   |
|                 |            | 1             | 1         | 22.7                    | 22.6   | 22.3   | 21.3   | 21.3   | 21.3   | 21.2   | 21.4   | 20.9   | 20.8   | 21.0   | 21.3   |
|                 |            | 1             | 187       | 22.4                    | 22.8   | 22.3   | 21.6   | 21.9   | 21.1   | 21.0   | 21.0   | 20.9   | 21.4   | 21.1   | 21.3   |
|                 |            | 1             | 188       | 22.7                    | 22.4   | 22.3   | 21.5   | 21.7   | 21.2   | 21.0   | 21.0   | 21.1   | 21.4   | 21.1   | 21.1   |
|                 |            | 90            | 45        | 22.3                    | 22.5   | 22.2   | 21.3   | 21.6   | 21.3   | 21.0   | 21.0   | 21.2   | 21.2   | 21.2   | 21.1   |
|                 |            | 180           | 0         | 22.2                    | 22.7   | 22.1   | 21.2   | 21.7   | 21.2   | 21.0   | 21.0   | 21.1   | 21.2   | 21.2   | 21.1   |
|                 | 256QAM     | 1             | 0         | 20.5                    | 20.3   | 20.6   | 19.1   | 19.4   | 19.6   | 19.2   | 19.5   | 18.7   | 19.0   | 19.3   | 19.3   |
|                 |            | 1             | 1         | 20.4                    | 20.4   | 20.6   | 19.0   | 19.6   | 19.3   | 19.4   | 19.4   | 18.6   | 18.9   | 19.3   | 19.4   |
|                 |            | 1             | 187       | 20.4                    | 20.8   | 20.3   | 19.4   | 19.6   | 19.5   | 18.9   | 18.9   | 19.0   | 19.5   | 19.2   | 19.3   |
|                 |            | 1             | 188       | 20.6                    | 20.5   | 20.5   | 19.4   | 19.6   | 19.3   | 19.2   | 18.9   | 19.2   | 19.4   | 19.0   | 19.0   |
|                 |            | 90            | 45        | 20.4                    | 20.6   | 20.2   | 19.2   | 19.8   | 19.3   | 18.9   | 18.9   | 19.2   | 19.1   | 19.1   | 19.1   |
|                 |            | 180           | 0         | 20.2                    | 20.6   | 20.2   | 19.3   | 19.6   | 19.2   | 19.0   | 18.9   | 19.1   | 19.1   | 19.2   | 19.2   |

**OUTPUT POWER FOR 5G NR n77 (80.0 MHz)**

| Bandwidth (MHz) | Modulation | RB Allocation | RB Offset | Conducted Average (dBm) |        |        |        |        |        |        |        |        |        |        |        |
|-----------------|------------|---------------|-----------|-------------------------|--------|--------|--------|--------|--------|--------|--------|--------|--------|--------|--------|
|                 |            |               |           | ANT 6                   |        |        | ANT 7  |        |        | ANT 1  |        |        | ANT 5  |        |        |
|                 |            |               |           | 649333                  | 656000 | 662666 | 649333 | 656000 | 662666 | 649333 | 656000 | 662666 | 649333 | 656000 | 662666 |
| 80.0            | BPSK       | 1             | 0         | 24.1                    | 24.5   | 24.5   | 23.1   | 23.5   | 23.5   | 21.3   | 23.3   | 22.7   | 23.0   | 23.4   | 23.3   |
|                 |            | 1             | 1         | 24.8                    | 24.6   | 24.5   | 23.7   | 23.9   | 23.9   | 24.0   | 23.9   | 23.1   | 23.4   | 23.9   | 23.8   |
|                 |            | 1             | 215       | 24.6                    | 24.6   | 24.6   | 24.1   | 24.2   | 23.9   | 23.8   | 23.5   | 23.7   | 24.1   | 23.9   | 23.9   |
|                 |            | 1             | 216       | 24.3                    | 24.8   | 24.6   | 23.5   | 23.7   | 23.5   | 23.3   | 22.9   | 23.2   | 23.6   | 23.3   | 23.3   |
|                 |            | 108           | 54        | 24.7                    | 24.5   | 24.9   | 23.7   | 24.2   | 23.8   | 23.8   | 23.5   | 23.7   | 23.8   | 23.6   | 23.6   |
|                 |            | 216           | 0         | 24.2                    | 24.7   | 24.2   | 23.2   | 23.6   | 23.3   | 23.3   | 23.0   | 23.1   | 23.3   | 23.2   | 23.1   |
|                 | QPSK       | 1             | 0         | 23.9                    | 24.0   | 24.0   | 22.6   | 23.0   | 22.9   | 23.0   | 22.9   | 22.2   | 22.4   | 22.9   | 22.7   |
|                 |            | 1             | 1         | 24.7                    | 24.6   | 25.0   | 23.6   | 24.0   | 24.1   | 24.0   | 23.9   | 23.3   | 23.5   | 23.9   | 23.8   |
|                 |            | 1             | 215       | 25.0                    | 24.5   | 24.9   | 24.1   | 24.3   | 23.8   | 23.9   | 23.4   | 23.8   | 24.1   | 23.8   | 23.8   |
|                 |            | 1             | 216       | 24.0                    | 24.2   | 23.9   | 23.0   | 23.2   | 22.8   | 22.8   | 22.4   | 22.7   | 23.0   | 22.8   | 22.7   |
|                 |            | 108           | 54        | 24.6                    | 24.5   | 24.7   | 23.8   | 24.1   | 23.7   | 23.8   | 23.4   | 23.7   | 23.8   | 23.6   | 23.7   |
|                 |            | 216           | 0         | 23.7                    | 24.2   | 23.7   | 22.6   | 23.1   | 22.8   | 22.8   | 22.4   | 22.4   | 22.7   | 22.8   | 22.7   |
|                 | 16QAM      | 1             | 0         | 22.7                    | 22.9   | 23.1   | 21.4   | 21.8   | 22.0   | 22.0   | 22.0   | 21.2   | 21.2   | 21.8   | 21.6   |
|                 |            | 1             | 1         | 24.1                    | 24.1   | 24.1   | 22.4   | 22.7   | 22.8   | 23.1   | 22.9   | 22.2   | 22.4   | 22.9   | 22.9   |
|                 |            | 1             | 215       | 23.9                    | 24.4   | 24.0   | 22.8   | 22.8   | 22.8   | 23.0   | 22.5   | 22.7   | 23.2   | 22.6   | 22.8   |
|                 |            | 1             | 216       | 23.2                    | 23.4   | 22.9   | 22.0   | 21.7   | 21.8   | 21.9   | 21.5   | 21.7   | 22.2   | 21.7   | 21.8   |
|                 |            | 108           | 54        | 23.7                    | 24.1   | 23.7   | 22.6   | 23.1   | 22.7   | 22.8   | 22.4   | 22.7   | 22.7   | 22.7   | 22.7   |
|                 |            | 216           | 0         | 22.7                    | 23.2   | 22.7   | 21.7   | 22.1   | 21.8   | 21.8   | 21.5   | 21.7   | 21.7   | 21.8   | 21.7   |
|                 | 64QAM      | 1             | 0         | 22.3                    | 22.5   | 22.5   | 20.8   | 21.9   | 21.8   | 21.5   | 21.5   | 20.8   | 20.8   | 21.5   | 21.1   |
|                 |            | 1             | 1         | 22.3                    | 22.5   | 22.6   | 21.2   | 21.7   | 21.5   | 21.6   | 21.6   | 20.9   | 20.8   | 21.4   | 21.3   |
|                 |            | 1             | 215       | 22.7                    | 22.8   | 22.7   | 21.2   | 21.7   | 21.5   | 21.2   | 21.1   | 21.3   | 21.6   | 21.2   | 21.5   |
|                 |            | 1             | 216       | 22.4                    | 22.8   | 22.4   | 21.1   | 21.5   | 21.5   | 21.4   | 20.9   | 21.2   | 21.6   | 21.2   | 21.5   |
|                 |            | 108           | 54        | 22.3                    | 22.6   | 22.3   | 21.2   | 21.6   | 21.3   | 21.3   | 20.9   | 21.1   | 21.3   | 21.2   | 21.2   |
|                 |            | 216           | 0         | 22.3                    | 22.6   | 22.3   | 21.2   | 21.6   | 21.2   | 21.3   | 21.0   | 21.1   | 21.3   | 21.2   | 21.2   |
|                 | 256QAM     | 1             | 0         | 20.3                    | 20.6   | 20.7   | 19.1   | 18.9   | 19.5   | 19.7   | 19.3   | 18.7   | 18.8   | 19.3   | 19.1   |
|                 |            | 1             | 1         | 20.3                    | 20.8   | 20.4   | 19.3   | 19.3   | 19.6   | 19.4   | 19.5   | 18.9   | 19.0   | 19.5   | 19.1   |
|                 |            | 1             | 215       | 20.4                    | 20.9   | 20.7   | 19.5   | 19.2   | 19.3   | 19.2   | 19.0   | 19.4   | 19.6   | 19.4   | 19.2   |
|                 |            | 1             | 216       | 20.4                    | 21.0   | 20.5   | 19.7   | 19.5   | 19.4   | 19.3   | 18.9   | 19.2   | 19.7   | 19.2   | 19.4   |
|                 |            | 108           | 54        | 20.3                    | 20.7   | 20.2   | 19.3   | 19.6   | 19.3   | 19.3   | 18.9   | 19.2   | 19.2   | 19.3   | 19.3   |
|                 |            | 216           | 0         | 20.2                    | 20.8   | 20.3   | 19.1   | 19.6   | 19.3   | 19.3   | 19.0   | 19.0   | 19.3   | 19.3   | 19.3   |

**OUTPUT POWER FOR 5G NR n77 (90.0 MHz)**

| Bandwidth (MHz) | Modulation | RB Allocation | RB Offset | Conducted Average (dBm) |        |        |        |        |        |        |        |        |        |        |        |
|-----------------|------------|---------------|-----------|-------------------------|--------|--------|--------|--------|--------|--------|--------|--------|--------|--------|--------|
|                 |            |               |           | ANT 6                   |        |        | ANT 7  |        |        | ANT 1  |        |        | ANT 5  |        |        |
|                 |            |               |           | 649666                  | 656000 | 662333 | 649666 | 656000 | 662333 | 649666 | 656000 | 662333 | 649666 | 656000 | 662333 |
| 90.0            | BPSK       | 1             | 0         | 24.3                    | 24.5   | 24.6   | 23.2   | 23.3   | 23.5   | 23.4   | 23.4   | 22.8   | 22.8   | 23.4   | 23.3   |
|                 |            | 1             | 1         | 24.9                    | 24.7   | 24.6   | 23.7   | 23.8   | 24.2   | 24.1   | 23.2   | 23.1   | 23.5   | 24.1   | 23.7   |
|                 |            | 1             | 243       | 24.7                    | 24.6   | 24.9   | 24.0   | 24.2   | 24.1   | 24.0   | 23.5   | 23.9   | 24.1   | 23.9   | 23.7   |
|                 |            | 1             | 244       | 24.4                    | 24.7   | 24.5   | 23.4   | 23.6   | 23.4   | 22.9   | 23.2   | 23.5   | 23.4   | 23.4   | 23.2   |
|                 |            | 120           | 60        | 24.7                    | 24.5   | 24.8   | 23.8   | 24.2   | 23.8   | 23.8   | 23.5   | 23.5   | 23.8   | 23.8   | 23.8   |
|                 |            | 243           | 0         | 24.2                    | 24.6   | 24.4   | 23.3   | 23.6   | 23.3   | 23.3   | 23.0   | 23.1   | 23.3   | 23.3   | 23.3   |
|                 | QPSK       | 1             | 0         | 23.7                    | 24.0   | 24.0   | 22.5   | 22.8   | 23.0   | 23.0   | 22.9   | 22.3   | 22.3   | 23.0   | 22.8   |
|                 |            | 1             | 1         | 24.7                    | 25.0   | 24.6   | 23.6   | 23.9   | 24.1   | 24.1   | 24.0   | 23.4   | 23.4   | 24.0   | 23.9   |
|                 |            | 1             | 243       | 24.9                    | 24.6   | 25.0   | 23.9   | 24.2   | 23.9   | 24.0   | 23.6   | 23.9   | 24.2   | 23.8   | 23.8   |
|                 |            | 1             | 244       | 23.8                    | 24.4   | 23.9   | 22.8   | 23.0   | 22.8   | 22.9   | 22.5   | 22.8   | 23.1   | 22.8   | 22.6   |
|                 |            | 120           | 60        | 24.8                    | 24.5   | 24.8   | 23.6   | 24.1   | 23.7   | 23.7   | 23.5   | 23.6   | 23.7   | 23.7   | 23.7   |
|                 |            | 243           | 0         | 23.8                    | 24.1   | 23.9   | 22.7   | 23.1   | 22.8   | 22.8   | 22.5   | 22.5   | 22.7   | 22.8   | 22.8   |
|                 | 16QAM      | 1             | 0         | 22.7                    | 22.9   | 23.4   | 21.4   | 22.0   | 22.1   | 22.1   | 22.1   | 21.2   | 21.4   | 22.2   | 21.7   |
|                 |            | 1             | 1         | 24.1                    | 24.1   | 24.2   | 22.4   | 22.8   | 23.4   | 23.1   | 23.0   | 22.4   | 22.3   | 22.7   | 23.0   |
|                 |            | 1             | 243       | 24.0                    | 24.4   | 24.0   | 22.7   | 23.4   | 23.1   | 23.0   | 22.7   | 23.0   | 23.1   | 22.7   | 22.8   |
|                 |            | 1             | 244       | 22.9                    | 23.2   | 23.0   | 21.9   | 21.7   | 21.9   | 21.8   | 21.4   | 21.8   | 22.1   | 22.1   | 21.6   |
|                 |            | 120           | 60        | 23.9                    | 24.1   | 23.7   | 22.7   | 23.2   | 22.8   | 22.8   | 22.5   | 22.6   | 22.8   | 22.7   | 22.8   |
|                 |            | 243           | 0         | 22.8                    | 23.2   | 22.9   | 21.6   | 22.1   | 21.9   | 21.8   | 21.5   | 21.6   | 21.7   | 21.8   | 21.7   |
|                 | 64QAM      | 1             | 0         | 22.1                    | 22.6   | 22.7   | 21.3   | 21.1   | 21.4   | 21.5   | 21.5   | 21.0   | 20.6   | 21.2   | 21.5   |
|                 |            | 1             | 1         | 22.2                    | 22.6   | 22.6   | 21.5   | 21.3   | 21.3   | 21.7   | 21.5   | 20.9   | 20.7   | 21.5   | 21.7   |
|                 |            | 1             | 243       | 22.3                    | 22.9   | 22.5   | 21.6   | 21.6   | 21.4   | 21.6   | 21.0   | 21.5   | 21.3   | 21.2   | 21.5   |
|                 |            | 1             | 244       | 22.3                    | 22.7   | 22.4   | 21.6   | 21.4   | 21.3   | 21.5   | 20.9   | 21.3   | 21.3   | 21.3   | 21.5   |
|                 |            | 120           | 60        | 22.2                    | 22.6   | 22.3   | 21.2   | 21.6   | 21.2   | 21.3   | 21.1   | 21.1   | 21.2   | 21.2   | 21.3   |
|                 |            | 243           | 0         | 22.2                    | 22.7   | 22.4   | 21.2   | 21.5   | 21.3   | 21.3   | 21.0   | 21.1   | 21.3   | 21.3   | 21.3   |
|                 | 256QAM     | 1             | 0         | 20.0                    | 20.3   | 20.6   | 19.2   | 19.1   | 19.7   | 19.6   | 19.6   | 18.7   | 18.8   | 19.4   | 19.3   |
|                 |            | 1             | 1         | 20.4                    | 20.5   | 20.7   | 19.2   | 19.2   | 19.8   | 19.8   | 19.7   | 19.0   | 18.8   | 19.5   | 19.5   |
|                 |            | 1             | 243       | 20.5                    | 20.7   | 20.6   | 19.7   | 19.5   | 19.4   | 19.5   | 19.2   | 19.4   | 19.6   | 19.3   | 19.5   |
|                 |            | 1             | 244       | 20.4                    | 20.7   | 20.4   | 19.4   | 19.4   | 19.3   | 19.3   | 19.0   | 19.2   | 19.5   | 19.3   | 19.2   |
|                 |            | 120           | 60        | 20.2                    | 20.7   | 20.3   | 19.4   | 19.7   | 19.3   | 19.3   | 19.0   | 19.0   | 19.3   | 19.2   | 19.2   |
|                 |            | 243           | 0         | 20.2                    | 20.8   | 20.3   | 19.2   | 19.6   | 19.4   | 19.3   | 19.0   | 19.1   | 19.3   | 19.3   | 19.3   |

**OUTPUT POWER FOR 5G NR n77 (100.0 MHz)**

| Bandwidth (MHz) | Modulation | RB Allocation | RB Offset | Conducted Average (dBm) |        |        |        |        |        |        |        |        |        |        |        |
|-----------------|------------|---------------|-----------|-------------------------|--------|--------|--------|--------|--------|--------|--------|--------|--------|--------|--------|
|                 |            |               |           | ANT 6                   |        |        | ANT 7  |        |        | ANT 1  |        |        | ANT 5  |        |        |
|                 |            |               |           | 650000                  | 656000 | 662000 | 650000 | 656000 | 662000 | 650000 | 656000 | 662000 | 650000 | 656000 | 662000 |
| 100.0           | BPSK       | 1             | 0         | 24.3                    | 24.3   | 24.6   | 23.1   | 23.3   | 23.7   | 23.5   | 23.3   | 22.8   | 22.8   | 23.4   | 23.2   |
|                 |            | 1             | 1         | 24.8                    | 24.7   | 24.5   | 23.7   | 24.0   | 24.3   | 24.1   | 24.0   | 23.1   | 23.5   | 24.0   | 23.9   |
|                 |            | 1             | 271       | 24.8                    | 24.6   | 24.6   | 24.1   | 24.5   | 23.9   | 24.0   | 23.5   | 23.9   | 24.0   | 23.8   | 23.8   |
|                 |            | 1             | 272       | 24.6                    | 24.4   | 24.5   | 23.5   | 23.6   | 23.3   | 23.4   | 23.0   | 23.2   | 23.3   | 23.2   | 23.2   |
|                 |            | 135           | 67        | 24.8                    | 24.5   | 24.9   | 23.8   | 24.2   | 23.8   | 23.7   | 23.5   | 23.5   | 23.8   | 23.7   | 23.7   |
|                 |            | 270           | 0         | 24.2                    | 24.6   | 24.5   | 23.2   | 23.6   | 23.4   | 23.3   | 23.0   | 23.0   | 23.3   | 23.3   | 23.4   |
|                 | QPSK       | 1             | 0         | 23.6                    | 23.7   | 24.1   | 22.5   | 22.8   | 23.1   | 23.0   | 22.8   | 22.3   | 22.2   | 22.9   | 22.8   |
|                 |            | 1             | 1         | 24.9                    | 25.0   | 24.6   | 23.7   | 24.1   | 24.4   | 24.1   | 24.1   | 23.5   | 23.4   | 24.0   | 23.9   |
|                 |            | 1             | 271       | 24.7                    | 24.6   | 25.0   | 24.1   | 24.4   | 24.0   | 24.1   | 23.5   | 23.8   | 24.1   | 23.8   | 23.8   |
|                 |            | 1             | 272       | 23.9                    | 23.8   | 23.8   | 23.0   | 23.1   | 22.8   | 23.0   | 22.3   | 22.7   | 22.9   | 22.8   | 22.6   |
|                 |            | 135           | 67        | 24.7                    | 24.4   | 24.7   | 23.8   | 24.2   | 23.8   | 23.8   | 23.5   | 23.5   | 23.9   | 23.8   | 23.7   |
|                 |            | 270           | 0         | 23.8                    | 24.1   | 23.9   | 22.7   | 23.1   | 22.8   | 22.8   | 22.5   | 22.6   | 22.8   | 22.8   | 22.6   |
|                 | 16QAM      | 1             | 0         | 22.6                    | 22.8   | 23.2   | 21.6   | 21.9   | 21.9   | 21.8   | 21.9   | 21.4   | 21.3   | 22.0   | 21.8   |
|                 |            | 1             | 1         | 24.0                    | 23.7   | 24.2   | 22.8   | 23.0   | 22.9   | 23.1   | 23.1   | 22.6   | 22.5   | 23.3   | 22.6   |
|                 |            | 1             | 271       | 24.0                    | 24.5   | 24.0   | 23.3   | 23.3   | 22.5   | 23.0   | 22.6   | 22.9   | 22.9   | 23.1   | 22.6   |
|                 |            | 1             | 272       | 23.1                    | 23.0   | 22.7   | 22.1   | 22.0   | 21.6   | 21.8   | 21.4   | 21.8   | 22.1   | 21.8   | 21.6   |
|                 |            | 135           | 67        | 23.8                    | 24.1   | 23.8   | 22.7   | 23.2   | 22.8   | 22.8   | 22.5   | 22.5   | 22.8   | 22.8   | 22.7   |
|                 |            | 270           | 0         | 22.7                    | 23.2   | 22.8   | 21.7   | 22.2   | 21.9   | 21.8   | 21.6   | 21.5   | 21.8   | 21.7   | 21.7   |
|                 | 64QAM      | 1             | 0         | 22.1                    | 22.3   | 22.7   | 21.1   | 21.1   | 21.6   | 21.4   | 21.2   | 20.8   | 20.7   | 21.3   | 21.3   |
|                 |            | 1             | 1         | 22.4                    | 22.3   | 22.8   | 21.2   | 21.8   | 21.9   | 21.6   | 21.4   | 21.0   | 21.0   | 21.5   | 21.7   |
|                 |            | 1             | 271       | 22.6                    | 22.7   | 22.6   | 21.6   | 21.8   | 21.4   | 21.5   | 21.0   | 21.3   | 21.4   | 21.7   | 21.4   |
|                 |            | 1             | 272       | 22.7                    | 22.5   | 22.6   | 21.4   | 21.8   | 21.3   | 21.6   | 20.9   | 21.0   | 21.2   | 21.5   | 21.3   |
|                 |            | 135           | 67        | 22.2                    | 22.6   | 22.1   | 21.2   | 21.7   | 21.3   | 21.3   | 20.9   | 21.0   | 21.3   | 21.2   | 21.3   |
|                 |            | 270           | 0         | 22.4                    | 22.7   | 22.3   | 21.2   | 21.6   | 21.4   | 21.4   | 21.1   | 21.0   | 21.3   | 21.4   | 21.2   |
|                 | 256QAM     | 1             | 0         | 20.5                    | 20.3   | 20.3   | 18.9   | 19.2   | 19.4   | 19.5   | 19.3   | 18.8   | 18.8   | 19.4   | 19.1   |
|                 |            | 1             | 1         | 20.6                    | 20.7   | 20.7   | 19.5   | 19.4   | 19.6   | 19.6   | 19.4   | 19.1   | 19.1   | 19.5   | 19.3   |
|                 |            | 1             | 271       | 20.9                    | 20.9   | 20.3   | 19.2   | 19.6   | 19.3   | 19.6   | 19.1   | 19.6   | 19.9   | 19.3   | 19.2   |
|                 |            | 1             | 272       | 20.4                    | 20.4   | 20.0   | 19.8   | 19.7   | 19.2   | 19.6   | 18.9   | 19.3   | 19.5   | 19.1   | 19.0   |
|                 |            | 135           | 67        | 20.3                    | 20.6   | 20.2   | 19.3   | 19.6   | 19.1   | 19.3   | 19.0   | 19.0   | 19.4   | 19.2   | 19.2   |
|                 |            | 270           | 0         | 20.3                    | 20.6   | 20.3   | 19.3   | 19.6   | 19.3   | 19.3   | 19.0   | 19.0   | 19.3   | 19.3   | 19.3   |

8.20. 5G NR n77 (FCC Part 27 3700-3980MHz) HPUE

|                   |   |            |                          |
|-------------------|---|------------|--------------------------|
| Test Engineer ID: | 27966PV, 19210 AL,<br>32934IG And 27979HN | Test Date: | 2024-02-23 to 2024-04-29 |
|-------------------|---|------------|--------------------------|

OUTPUT POWER FOR 5G NR n77 (10.0 MHz)

| Bandwidth (MHz) | Modulation | RB Allocation | RB Offset | Conducted Average (dBm) |             |             |        |             |             |             |             |             |             |             |             |      |
|-----------------|------------|---------------|-----------|-------------------------|-------------|-------------|--------|-------------|-------------|-------------|-------------|-------------|-------------|-------------|-------------|------|
|                 |            |               |           | ANT 6                   |             |             | ANT 7  |             |             | ANT 1       |             |             | ANT 5       |             |             |      |
|                 |            |               |           | 647000                  | 656000      | 665000      | 647000 | 656000      | 665000      | 647000      | 656000      | 665000      | 647000      | 656000      | 665000      |      |
| 10.0            | BPSK       | 1             | 0         | 23.7                    | 24.1        | 23.9        | 22.2   | 22.3        | 22.2        | 23.0        | 22.9        | 22.9        | 21.8        | 22.4        | 22.2        |      |
|                 |            | 1             | 1         | 25.9                    | 26.2        | 26.0        | 25.7   | <b>25.9</b> | 25.7        | <b>25.0</b> | 24.9        | 24.9        | 23.8        | <b>24.5</b> | 24.3        |      |
|                 |            | 1             | 22        | 25.9                    | <b>26.2</b> | 25.8        | 25.5   | 25.9        | 25.7        | 25.0        | 24.9        | 24.8        | 23.9        | 24.4        | 24.2        |      |
|                 |            | 1             | 23        | 23.9                    | 24.2        | 23.8        | 22.1   | 22.4        | 22.0        | 24.1        | 24.1        | 24.2        | 21.8        | 22.4        | 22.1        |      |
|                 |            | 12            | 6         | 25.8                    | 26.2        | 25.9        | 25.7   | 25.8        | 25.6        | 24.9        | 24.8        | 24.9        | 23.8        | 24.4        | 24.1        |      |
|                 |            | 24            | 0         | 25.8                    | 26.0        | 25.9        | 25.2   | 25.2        | 25.1        | 24.9        | 24.8        | 24.9        | 23.8        | 24.4        | 24.1        |      |
|                 |            | QPSK          | 1         | 0                       | 23.3        | 23.6        | 23.3   | 22.2        | 22.3        | 22.0        | 22.6        | 22.3        | 22.2        | 21.2        | 21.9        | 21.8 |
|                 |            |               | 1         | 1                       | 25.8        | 26.2        | 25.9   | 25.7        | 25.7        | 25.6        | 24.9        | 24.9        | 25.0        | 23.8        | 24.4        | 24.2 |
|                 |            |               | 1         | 22                      | 25.8        | <b>26.3</b> | 25.8   | 25.7        | <b>25.8</b> | 25.7        | <b>25.0</b> | 24.9        | 24.7        | 23.9        | <b>24.5</b> | 24.2 |
|                 |            |               | 1         | 23                      | 23.4        | 23.6        | 23.2   | 22.2        | 22.4        | 22.0        | 22.6        | 22.4        | 22.3        | 21.2        | 22.0        | 21.6 |
|                 |            |               | 12        | 6                       | 25.8        | 26.2        | 25.9   | 25.6        | 25.7        | 25.6        | 24.9        | 24.8        | 24.9        | 23.9        | 24.4        | 24.1 |
|                 |            |               | 24        | 0                       | 25.8        | 26.2        | 25.9   | 24.6        | 24.8        | 24.6        | 24.9        | 24.9        | 24.9        | 23.8        | 24.4        | 24.2 |
|                 | 16QAM      |               | 1         | 0                       | 23.2        | 23.6        | 23.2   | 21.6        | 22.5        | 21.8        | 22.4        | 22.8        | 22.8        | 22.0        | 22.0        | 21.6 |
|                 |            |               | 1         | 1                       | 25.6        | 26.1        | 25.7   | 24.4        | 24.8        | 24.6        | 24.9        | 25.2        | 25.2        | 24.2        | 24.3        | 24.2 |
|                 |            |               | 1         | 22                      | 25.8        | <b>26.3</b> | 25.7   | 24.3        | <b>25.0</b> | 24.3        | 25.1        | <b>25.4</b> | 25.1        | 24.3        | <b>24.5</b> | 24.0 |
|                 |            |               | 1         | 23                      | 23.5        | 23.7        | 23.1   | 21.7        | 22.3        | 22.2        | 22.8        | 22.2        | 22.6        | 21.5        | 22.3        | 21.6 |
|                 |            |               | 12        | 6                       | 25.8        | 26.1        | 25.7   | 24.7        | 24.9        | 24.5        | 24.9        | 24.9        | 25.0        | 23.9        | 24.4        | 24.1 |
|                 |            |               | 24        | 0                       | 25.8        | 26.1        | 25.9   | 23.7        | 23.8        | 23.6        | 24.9        | 24.9        | 24.8        | 23.8        | 24.3        | 24.2 |
|                 |            | 64QAM         | 1         | 0                       | 23.4        | 23.7        | 23.3   | 22.0        | 22.3        | 22.2        | 22.3        | 22.3        | 22.4        | 21.2        | 21.7        | 21.7 |
|                 |            |               | 1         | 1                       | 25.9        | <b>26.4</b> | 25.7   | 23.0        | <b>23.7</b> | 23.4        | 24.8        | <b>25.4</b> | 25.1        | 23.3        | 24.2        | 24.1 |
|                 |            |               | 1         | 22                      | 25.9        | 26.1        | 25.6   | 23.0        | 23.6        | 23.3        | 24.9        | 24.7        | 25.1        | 23.7        | 24.3        | 24.0 |
|                 |            |               | 1         | 23                      | 23.4        | 23.8        | 23.4   | 22.0        | 22.2        | 21.9        | 22.3        | 22.2        | 22.5        | 20.8        | 21.7        | 21.9 |
|                 |            |               | 12        | 6                       | 25.8        | 26.1        | 25.9   | 23.2        | 23.2        | 23.1        | 24.9        | 24.8        | 24.8        | 23.9        | <b>24.5</b> | 24.1 |
|                 |            |               | 24        | 0                       | 25.9        | 26.0        | 25.9   | 23.1        | 23.2        | 23.1        | 24.9        | 24.9        | 24.9        | 23.8        | 24.3        | 24.1 |
|                 | 256QAM     |               | 1         | 0                       | 23.0        | <b>23.8</b> | 23.4   | 21.1        | 21.4        | 21.2        | 22.4        | <b>22.3</b> | <b>22.7</b> | 21.3        | <b>22.2</b> | 21.4 |
|                 |            |               | 1         | 1                       | 23.1        | 23.8        | 23.6   | 21.1        | 21.2        | <b>21.6</b> | 22.4        | 22.2        | 22.4        | 21.3        | 21.7        | 21.4 |
|                 |            |               | 1         | 22                      | 23.3        | 23.6        | 23.3   | 21.0        | 21.1        | 21.5        | 22.4        | 22.4        | 22.4        | 21.4        | 21.7        | 21.3 |
|                 |            |               | 1         | 23                      | 23.2        | 23.7        | 23.2   | 21.0        | 21.6        | 21.6        | 22.4        | 22.0        | 22.4        | 21.3        | 21.7        | 21.5 |
|                 |            |               | 12        | 6                       | 23.2        | 23.6        | 23.4   | 21.2        | 21.3        | 21.2        | 22.4        | 22.4        | 22.4        | 21.4        | 21.9        | 21.7 |
|                 |            |               | 24        | 0                       | 23.3        | <b>23.7</b> | 23.3   | 21.2        | 21.1        | 21.1        | 22.4        | 22.3        | 22.4        | 21.3        | 22.0        | 21.6 |

OUTPUT POWER FOR 5G NR n77 (15.0 MHz)

| Bandwidth (MHz) | Modulation | RB Allocation | RB Offset | Conducted Average (dBm) |             |             |        |             |             |             |             |             |        |             |             |             |
|-----------------|------------|---------------|-----------|-------------------------|-------------|-------------|--------|-------------|-------------|-------------|-------------|-------------|--------|-------------|-------------|-------------|
|                 |            |               |           | ANT 6                   |             |             | ANT 7  |             |             | ANT 1       |             |             | ANT 5  |             |             |             |
|                 |            |               |           | 647166                  | 656000      | 664833      | 647166 | 656000      | 664833      | 647166      | 656000      | 664833      | 647166 | 656000      | 664833      |             |
| 15.0            | BPSK       | 1             | 0         | 23.7                    | 24.2        | 23.9        | 22.2   | 22.2        | 21.8        | 23.2        | 23.0        | 22.9        | 21.8   | 22.4        | 22.2        |             |
|                 |            | 1             | 1         | 25.8                    | <b>26.2</b> | 26.0        | 25.7   | <b>25.7</b> | 25.4        | <b>25.2</b> | 25.0        | 24.9        | 23.7   | <b>24.4</b> | 24.3        |             |
|                 |            | 1             | 36        | 25.8                    | 26.2        | 25.8        | 25.7   | 25.6        | 25.5        | 25.2        | 25.1        | 24.8        | 23.8   | 24.4        | 24.1        |             |
|                 |            | 1             | 37        | 23.8                    | 24.2        | 23.8        | 22.1   | 22.2        | 21.9        | 24.1        | 23.1        | 22.8        | 21.8   | 22.3        | 21.9        |             |
|                 |            | 18            | 9         | 25.8                    | <b>26.2</b> | 25.9        | 25.7   | 25.7        | 25.5        | 25.0        | 25.1        | 25.0        | 23.8   | 24.4        | 24.2        |             |
|                 |            | 36            | 0         | 25.8                    | 26.2        | 25.8        | 25.1   | 25.2        | 25.0        | 25.0        | 25.1        | 25.0        | 23.9   | 24.4        | 24.2        |             |
|                 |            | QPSK          | 1         | 0                       | 23.2        | 23.7        | 23.3   | 22.2        | 22.1        | 21.8        | 22.6        | 22.4        | 22.4   | 21.2        | 21.7        | 21.6        |
|                 |            |               | 1         | 1                       | 25.7        | 26.1        | 26.0   | 25.8        | 25.6        | 25.4        | <b>25.4</b> | 24.9        | 24.9   | 23.7        | 24.3        | 24.2        |
|                 |            |               | 1         | 36                      | 25.7        | <b>26.3</b> | 25.9   | <b>25.9</b> | 25.5        | 25.4        | 25.3        | 24.9        | 24.7   | 23.7        | 24.3        | 24.1        |
|                 |            |               | 1         | 37                      | 23.4        | 23.8        | 23.2   | 22.2        | 22.1        | 21.9        | 22.7        | 22.7        | 22.4   | 21.2        | 21.8        | 21.5        |
|                 |            |               | 18        | 9                       | 25.7        | 26.2        | 25.9   | 25.6        | 25.7        | 25.5        | 25.0        | 25.0        | 25.0   | 23.7        | <b>24.4</b> | 24.2        |
|                 |            |               | 36        | 0                       | 25.8        | <b>26.3</b> | 26.0   | 24.6        | 24.6        | 24.5        | 25.0        | 25.1        | 25.0   | 23.8        | 24.4        | 24.1        |
|                 | 16QAM      |               | 1         | 0                       | 23.2        | 23.6        | 23.4   | 22.2        | 22.1        | 21.8        | 22.8        | 22.4        | 22.2   | 21.4        | 21.6        | 21.5        |
|                 |            |               | 1         | 1                       | 25.4        | <b>26.2</b> | 25.8   | 24.8        | 24.7        | 24.3        | <b>25.3</b> | 24.8        | 24.8   | 23.9        | 24.3        | <b>24.4</b> |
|                 |            |               | 1         | 36                      | 25.7        | <b>26.2</b> | 25.7   | 24.6        | <b>25.0</b> | 24.4        | 25.1        | 25.2        | 24.6   | 24.0        | 24.3        | 24.3        |
|                 |            |               | 1         | 37                      | 23.3        | 23.7        | 23.1   | 22.0        | 22.4        | 22.0        | 22.6        | 22.4        | 22.1   | 21.5        | 21.6        | 21.4        |
|                 |            |               | 18        | 9                       | 25.8        | 26.1        | 25.9   | 24.6        | 24.8        | 24.4        | 25.1        | 25.0        | 25.0   | 23.7        | 24.4        | 24.2        |
|                 |            |               | 36        | 0                       | 25.9        | 26.1        | 25.8   | 23.6        | 23.7        | 23.5        | 25.1        | 25.1        | 25.0   | 23.8        | 24.4        | 24.2        |
|                 |            | 64QAM         | 1         | 0                       | 23.1        | 23.2        | 23.3   | 22.2        | 22.2        | 21.6        | 22.5        | 22.5        | 22.5   | 21.4        | 22.0        | 21.7        |
|                 |            |               | 1         | 1                       | 25.8        | 26.0        | 25.7   | 23.3        | <b>23.4</b> | 22.9        | 25.0        | 25.0        | 25.0   | 23.7        | 24.2        | 24.0        |
|                 |            |               | 1         | 36                      | 26.0        | 25.9        | 25.8   | 23.2        | 23.1        | 23.0        | 24.9        | <b>25.1</b> | 24.9   | 23.8        | 24.0        | 23.9        |
|                 |            |               | 1         | 37                      | 23.1        | 23.7        | 23.2   | 21.9        | 22.1        | 21.7        | 22.4        | 22.6        | 22.3   | 21.6        | 21.6        | 21.8        |
|                 |            |               | 18        | 9                       | 25.8        | <b>26.1</b> | 25.9   | 23.1        | 23.3        | 23.0        | 25.1        | 25.0        | 24.9   | 23.8        | <b>24.4</b> | 24.1        |
|                 |            |               | 36        | 0                       | 25.7        | 26.1        | 25.9   | 23.1        | 23.1        | 23.0        | 25.1        | 25.0        | 25.0   | 23.8        | 24.3        | 24.1        |
|                 | 256QAM     |               | 1         | 0                       | 22.9        | 23.4        | 23.6   | 20.8        | 20.6        | 20.7        | 22.5        | 22.6        | 22.4   | 21.0        | 21.7        | 21.5        |
|                 |            |               | 1         | 1                       | 23.2        | 23.4        | 23.4   | 20.7        | 20.8        | 20.9        | 22.5        | 22.6        | 22.4   | 21.1        | 21.7        | 21.6        |
|                 |            |               | 1         | 36                      | 23.5        | <b>23.7</b> | 23.5   | 20.8        | 20.9        | 21.2        | 22.4        | <b>22.7</b> | 22.3   | 21.2        | 21.8        | 21.5        |
|                 |            |               | 1         | 37                      | 23.5        | 23.3        | 23.3   | 21.0        | 20.9        | <b>21.2</b> | 22.4        | 22.4        | 22.3   | 21.2        | 21.7        | 21.4        |
|                 |            |               | 18        | 9                       | 23.3        | 23.5        | 23.3   | 21.1        | 21.1        | 21.1        | 22.5        | 22.5        | 22.5   | 21.2        | <b>21.8</b> | 21.6        |
|                 |            |               | 36        | 0                       | 23.3        | 23.6        | 23.3   | 21.1        | 21.2        | 21.0        | 22.5        | 22.6        | 22.5   | 21.3        | <b>21.8</b> | 21.7        |

**OUTPUT POWER FOR 5G NR n77 (20.0 MHz)**

| Bandwidth (MHz) | Modulation | RB Allocation | RB Offset | Conducted Average (dBm) |        |        |        |        |        |        |        |        |        |        |        |
|-----------------|------------|---------------|-----------|-------------------------|--------|--------|--------|--------|--------|--------|--------|--------|--------|--------|--------|
|                 |            |               |           | ANT 6                   |        |        | ANT 7  |        |        | ANT 1  |        |        | ANT 5  |        |        |
|                 |            |               |           | 647333                  | 656000 | 664666 | 647333 | 656000 | 664666 | 647333 | 656000 | 664666 | 647333 | 656000 | 664666 |
| 20.0            | BPSK       | 1             | 0         | 23.8                    | 24.2   | 23.8   | 22.1   | 22.0   | 22.0   | 22.4   | 22.6   | 22.8   | 21.8   | 22.3   | 22.1   |
|                 |            | 1             | 1         | 25.8                    | 26.2   | 26.0   | 25.6   | 25.7   | 25.5   | 24.4   | 24.5   | 24.7   | 23.8   | 24.4   | 24.2   |
|                 |            | 1             | 49        | 25.7                    | 26.3   | 26.0   | 25.6   | 25.7   | 25.8   | 24.3   | 24.6   | 24.5   | 23.9   | 24.4   | 24.0   |
|                 |            | 1             | 50        | 23.8                    | 24.3   | 23.9   | 22.0   | 22.1   | 22.0   | 23.7   | 24.5   | 24.0   | 21.9   | 22.3   | 22.0   |
|                 |            | 25            | 12        | 25.8                    | 26.2   | 25.9   | 25.6   | 25.5   | 25.5   | 24.2   | 24.6   | 24.9   | 23.8   | 24.4   | 24.2   |
|                 |            | 50            | 0         | 25.9                    | 26.1   | 25.8   | 25.0   | 25.1   | 24.9   | 24.2   | 24.6   | 24.8   | 23.8   | 24.3   | 24.1   |
|                 | QPSK       | 1             | 0         | 23.3                    | 23.5   | 23.4   | 22.1   | 22.1   | 21.9   | 21.8   | 22.0   | 22.6   | 21.3   | 21.8   | 21.6   |
|                 |            | 1             | 1         | 25.8                    | 26.2   | 25.9   | 25.6   | 25.4   | 25.5   | 24.2   | 24.5   | 24.9   | 23.8   | 24.4   | 24.1   |
|                 |            | 1             | 49        | 25.8                    | 26.4   | 25.8   | 25.4   | 25.5   | 25.6   | 24.0   | 24.6   | 24.7   | 23.7   | 24.4   | 24.1   |
|                 |            | 1             | 50        | 23.3                    | 23.8   | 23.4   | 22.1   | 21.9   | 22.4   | 21.6   | 22.1   | 22.2   | 21.3   | 21.8   | 21.4   |
|                 |            | 25            | 12        | 26.0                    | 26.2   | 25.9   | 25.5   | 25.6   | 25.5   | 24.2   | 24.6   | 24.9   | 23.8   | 24.4   | 24.1   |
|                 |            | 50            | 0         | 25.9                    | 26.1   | 25.9   | 24.5   | 24.7   | 24.5   | 24.2   | 24.4   | 24.9   | 23.8   | 24.4   | 24.1   |
|                 | 16QAM      | 1             | 0         | 23.4                    | 23.5   | 23.5   | 22.3   | 22.5   | 21.7   | 21.9   | 22.2   | 22.3   | 21.1   | 21.6   | 21.7   |
|                 |            | 1             | 1         | 25.5                    | 26.2   | 25.8   | 24.5   | 24.8   | 24.3   | 24.3   | 24.6   | 24.8   | 23.7   | 23.6   | 23.9   |
|                 |            | 1             | 49        | 25.8                    | 26.5   | 25.8   | 24.5   | 24.9   | 24.7   | 24.4   | 24.7   | 24.7   | 23.9   | 23.9   | 23.8   |
|                 |            | 1             | 50        | 23.2                    | 23.9   | 23.7   | 21.8   | 21.9   | 21.9   | 22.5   | 22.4   | 22.2   | 21.3   | 21.4   | 21.7   |
|                 |            | 25            | 12        | 26.0                    | 26.2   | 25.9   | 24.6   | 24.7   | 24.4   | 24.8   | 24.6   | 24.8   | 23.8   | 24.3   | 24.3   |
|                 |            | 50            | 0         | 25.9                    | 26.0   | 25.9   | 23.5   | 23.7   | 23.5   | 24.7   | 24.5   | 24.8   | 23.9   | 24.4   | 24.1   |
|                 | 64QAM      | 1             | 0         | 23.2                    | 23.8   | 23.6   | 22.3   | 21.8   | 22.1   | 22.4   | 22.0   | 22.3   | 20.9   | 21.7   | 21.6   |
|                 |            | 1             | 1         | 25.8                    | 26.2   | 25.6   | 23.1   | 22.8   | 23.0   | 25.0   | 24.5   | 25.0   | 23.6   | 24.4   | 24.0   |
|                 |            | 1             | 49        | 25.8                    | 26.3   | 25.6   | 23.2   | 22.6   | 23.2   | 24.9   | 24.6   | 24.8   | 23.7   | 24.4   | 24.2   |
|                 |            | 1             | 50        | 23.4                    | 23.9   | 23.6   | 21.8   | 22.0   | 22.3   | 22.6   | 22.1   | 22.3   | 21.0   | 21.7   | 21.6   |
|                 |            | 25            | 12        | 25.8                    | 26.1   | 25.9   | 23.0   | 23.1   | 23.1   | 24.9   | 24.6   | 24.9   | 23.7   | 24.3   | 24.2   |
|                 |            | 50            | 0         | 25.8                    | 26.1   | 25.9   | 23.0   | 23.1   | 23.0   | 24.8   | 24.5   | 24.8   | 23.8   | 24.4   | 24.1   |
|                 | 256QAM     | 1             | 0         | 23.3                    | 23.8   | 23.3   | 20.7   | 21.1   | 20.9   | 22.6   | 22.1   | 22.4   | 21.7   | 22.1   | 21.4   |
|                 |            | 1             | 1         | 22.9                    | 23.5   | 23.6   | 20.7   | 21.0   | 21.0   | 22.6   | 22.1   | 22.4   | 21.6   | 22.2   | 21.3   |
|                 |            | 1             | 49        | 23.0                    | 23.7   | 23.5   | 20.8   | 21.2   | 21.1   | 22.3   | 22.1   | 22.2   | 21.3   | 22.2   | 21.3   |
|                 |            | 1             | 50        | 23.1                    | 23.8   | 23.5   | 20.6   | 20.8   | 21.1   | 22.3   | 22.2   | 22.2   | 21.4   | 22.0   | 21.4   |
|                 |            | 25            | 12        | 23.3                    | 23.6   | 23.4   | 21.1   | 21.1   | 21.0   | 22.2   | 22.0   | 22.3   | 21.3   | 21.8   | 21.7   |
|                 |            | 50            | 0         | 23.3                    | 23.5   | 23.4   | 21.1   | 21.2   | 20.9   | 22.3   | 22.0   | 22.3   | 21.3   | 21.9   | 21.6   |

**OUTPUT POWER FOR 5G NR n77 (25.0 MHz)**

| Bandwidth (MHz) | Modulation | RB Allocation | RB Offset | Conducted Average (dBm) |        |        |        |        |        |        |        |        |        |        |        |
|-----------------|------------|---------------|-----------|-------------------------|--------|--------|--------|--------|--------|--------|--------|--------|--------|--------|--------|
|                 |            |               |           | ANT 6                   |        |        | ANT 7  |        |        | ANT 1  |        |        | ANT 5  |        |        |
|                 |            |               |           | 647500                  | 656000 | 664500 | 647500 | 656000 | 664500 | 647500 | 656000 | 664500 | 647500 | 656000 | 664500 |
| 25.0            | BPSK       | 1             | 0         | 22.3                    | 22.3   | 22.6   | 22.2   | 22.3   | 21.8   | 22.9   | 23.1   | 23.4   | 21.8   | 22.5   | 22.3   |
|                 |            | 1             | 1         | 25.9                    | 25.9   | 26.1   | 25.6   | 25.7   | 25.4   | 24.9   | 25.1   | 25.4   | 23.8   | 24.4   | 24.3   |
|                 |            | 1             | 63        | 26.0                    | 26.0   | 26.3   | 25.6   | 25.9   | 25.5   | 24.9   | 25.0   | 25.1   | 24.0   | 24.5   | 24.1   |
|                 |            | 1             | 64        | 25.6                    | 25.6   | 22.6   | 22.1   | 22.1   | 24.7   | 23.0   | 25.0   | 21.9   | 22.4   | 22.1   |        |
|                 |            | 32            | 16        | 26.2                    | 26.2   | 26.1   | 25.6   | 25.7   | 25.5   | 24.8   | 25.2   | 25.2   | 23.8   | 24.4   | 24.2   |
|                 |            | 64            | 0         | 25.7                    | 25.7   | 25.6   | 25.1   | 25.2   | 25.0   | 24.8   | 25.2   | 25.2   | 23.8   | 24.4   | 24.2   |
|                 | QPSK       | 1             | 0         | 22.6                    | 22.6   | 22.8   | 22.2   | 22.2   | 21.8   | 22.5   | 22.8   | 22.7   | 21.3   | 21.8   | 21.6   |
|                 |            | 1             | 1         | 26.0                    | 26.0   | 26.1   | 25.7   | 25.7   | 25.3   | 24.8   | 25.3   | 25.3   | 23.8   | 24.4   | 24.1   |
|                 |            | 1             | 63        | 26.3                    | 26.3   | 26.3   | 25.8   | 25.8   | 25.6   | 24.6   | 25.3   | 25.1   | 23.9   | 24.4   | 24.2   |
|                 |            | 1             | 64        | 22.6                    | 22.6   | 22.7   | 22.4   | 22.2   | 22.3   | 22.0   | 22.9   | 22.5   | 21.4   | 21.9   | 21.5   |
|                 |            | 32            | 16        | 26.2                    | 26.2   | 26.1   | 25.6   | 25.7   | 25.6   | 24.8   | 25.2   | 25.2   | 23.8   | 24.4   | 24.2   |
|                 |            | 64            | 0         | 25.2                    | 25.2   | 25.2   | 24.6   | 24.7   | 24.5   | 24.8   | 25.2   | 25.2   | 23.8   | 24.5   | 24.2   |
|                 | 16QAM      | 1             | 0         | 22.8                    | 22.8   | 22.7   | 22.0   | 22.3   | 21.9   | 22.1   | 22.7   | 22.7   | 21.2   | 21.7   | 21.5   |
|                 |            | 1             | 1         | 25.1                    | 25.1   | 25.3   | 24.5   | 24.5   | 24.6   | 24.8   | 25.2   | 25.2   | 24.0   | 24.0   | 24.3   |
|                 |            | 1             | 63        | 25.3                    | 25.3   | 25.3   | 24.6   | 24.7   | 24.6   | 24.9   | 25.1   | 25.1   | 23.9   | 24.2   | 24.2   |
|                 |            | 1             | 64        | 22.8                    | 22.8   | 22.7   | 22.0   | 22.3   | 22.2   | 22.6   | 22.6   | 22.6   | 21.3   | 21.8   | 21.6   |
|                 |            | 32            | 16        | 25.2                    | 25.2   | 25.2   | 24.6   | 24.7   | 24.6   | 24.9   | 25.2   | 25.2   | 23.8   | 24.4   | 24.3   |
|                 |            | 64            | 0         | 24.2                    | 24.2   | 24.1   | 23.6   | 23.7   | 23.5   | 24.9   | 25.2   | 25.2   | 23.8   | 24.4   | 24.3   |
|                 | 64QAM      | 1             | 0         | 22.5                    | 22.5   | 22.7   | 22.0   | 22.4   | 22.0   | 22.5   | 22.6   | 23.0   | 21.2   | 22.2   | 21.8   |
|                 |            | 1             | 1         | 23.4                    | 23.4   | 23.7   | 23.2   | 23.5   | 23.0   | 25.3   | 25.1   | 25.1   | 23.7   | 24.7   | 24.3   |
|                 |            | 1             | 63        | 23.7                    | 23.7   | 23.8   | 23.0   | 23.4   | 23.2   | 25.4   | 25.0   | 24.7   | 23.8   | 24.3   | 24.1   |
|                 |            | 1             | 64        | 22.6                    | 22.6   | 22.6   | 22.0   | 22.5   | 22.1   | 22.8   | 22.4   | 22.3   | 21.4   | 21.8   | 21.6   |
|                 |            | 32            | 16        | 23.7                    | 23.7   | 23.6   | 23.1   | 23.2   | 23.1   | 25.2   | 25.2   | 25.1   | 23.9   | 24.4   | 24.2   |
|                 |            | 64            | 0         | 23.7                    | 23.7   | 23.6   | 23.1   | 23.3   | 23.0   | 25.2   | 25.1   | 25.1   | 23.8   | 24.4   | 24.3   |
|                 | 256QAM     | 1             | 0         | 21.3                    | 21.3   | 21.8   | 21.0   | 21.1   | 21.2   | 22.6   | 22.5   | 22.8   | 21.4   | 21.8   | 21.8   |
|                 |            | 1             | 1         | 21.4                    | 21.4   | 21.8   | 21.2   | 21.3   | 21.3   | 22.6   | 22.5   | 22.8   | 21.5   | 21.8   | 21.6   |
|                 |            | 1             | 63        | 21.5                    | 21.5   | 21.9   | 21.0   | 21.4   | 21.4   | 22.6   | 22.4   | 22.5   | 21.7   | 21.9   | 21.7   |
|                 |            | 1             | 64        | 21.8                    | 21.8   | 21.9   | 20.9   | 21.5   | 21.6   | 22.6   | 22.4   | 22.5   | 21.7   | 22.0   | 21.3   |
|                 |            | 32            | 16        | 21.7                    | 21.7   | 21.6   | 21.1   | 21.3   | 21.0   | 22.7   | 22.8   | 22.6   | 21.2   | 21.9   | 21.7   |
|                 |            | 64            | 0         | 21.7                    | 21.7   | 21.6   | 21.1   | 21.3   | 21.0   | 22.5   | 22.7   | 22.6   | 21.3   | 21.8   | 21.8   |

**OUTPUT POWER FOR 5G NR n77 (30.0 MHz)**

| Bandwidth (MHz) | Modulation | RB Allocation | RB Offset | Conducted Average (dBm) |        |        |        |        |        |        |        |        |        |        |        |
|-----------------|------------|---------------|-----------|-------------------------|--------|--------|--------|--------|--------|--------|--------|--------|--------|--------|--------|
|                 |            |               |           | ANT 6                   |        |        | ANT 7  |        |        | ANT 1  |        |        | ANT 5  |        |        |
|                 |            |               |           | 647666                  | 656000 | 664333 | 647666 | 656000 | 664333 | 647666 | 656000 | 664333 | 647666 | 656000 | 664333 |
| 30.0            | BPSK       | 1             | 0         | 23.9                    | 24.0   | 23.8   | 22.1   | 22.2   | 22.0   | 23.2   | 23.1   | 23.3   | 21.8   | 22.4   | 22.1   |
|                 |            | 1             | 1         | 25.9                    | 26.1   | 25.8   | 25.6   | 25.8   | 25.5   | 25.2   | 25.2   | 25.3   | 23.7   | 24.3   | 24.2   |
|                 |            | 1             | 76        | 25.9                    | 26.1   | 25.8   | 25.6   | 25.8   | 25.7   | 25.2   | 25.1   | 25.0   | 23.9   | 24.4   | 24.1   |
|                 |            | 1             | 77        | 23.8                    | 24.2   | 23.7   | 22.0   | 22.3   | 22.1   | 24.8   | 25.0   | 24.8   | 21.9   | 22.4   | 22.1   |
|                 |            | 36            | 18        | 25.9                    | 26.1   | 25.9   | 25.6   | 25.7   | 25.5   | 25.2   | 25.2   | 25.1   | 23.7   | 24.5   | 24.2   |
|                 |            | 75            | 0         | 25.7                    | 26.2   | 25.9   | 25.2   | 25.2   | 25.0   | 25.2   | 25.1   | 25.2   | 23.8   | 24.3   | 24.2   |
|                 | QPSK       | 1             | 0         | 23.2                    | 23.6   | 23.3   | 22.2   | 22.2   | 21.8   | 22.2   | 22.6   | 22.8   | 21.2   | 21.9   | 21.7   |
|                 |            | 1             | 1         | 25.7                    | 26.2   | 25.8   | 25.6   | 25.7   | 25.3   | 24.8   | 25.1   | 25.2   | 23.8   | 24.3   | 24.2   |
|                 |            | 1             | 76        | 25.9                    | 26.3   | 25.8   | 25.6   | 25.6   | 25.7   | 24.7   | 25.0   | 25.0   | 23.9   | 24.4   | 24.2   |
|                 |            | 1             | 77        | 23.4                    | 23.7   | 23.2   | 22.1   | 22.2   | 22.2   | 22.5   | 22.6   | 22.4   | 21.4   | 21.9   | 21.7   |
|                 |            | 36            | 18        | 25.9                    | 26.2   | 25.8   | 25.6   | 25.7   | 25.5   | 25.0   | 25.2   | 25.1   | 23.8   | 24.3   | 24.0   |
|                 |            | 75            | 0         | 25.7                    | 26.1   | 25.9   | 24.6   | 24.8   | 24.4   | 24.9   | 25.2   | 25.1   | 23.8   | 24.5   | 24.2   |
|                 | 16QAM      | 1             | 0         | 23.1                    | 23.4   | 23.2   | 21.9   | 22.1   | 21.8   | 22.7   | 22.8   | 22.7   | 21.4   | 21.9   | 21.7   |
|                 |            | 1             | 1         | 25.7                    | 25.8   | 25.5   | 24.4   | 24.7   | 24.3   | 25.1   | 25.2   | 25.4   | 24.1   | 24.4   | 24.5   |
|                 |            | 1             | 76        | 25.8                    | 26.0   | 25.7   | 24.3   | 24.9   | 24.4   | 25.0   | 25.0   | 24.9   | 24.1   | 24.5   | 24.3   |
|                 |            | 1             | 77        | 23.1                    | 23.7   | 23.4   | 22.1   | 22.0   | 22.0   | 22.6   | 22.5   | 22.6   | 21.7   | 22.1   | 21.6   |
|                 |            | 36            | 18        | 25.7                    | 26.1   | 25.9   | 24.7   | 24.7   | 24.6   | 25.0   | 25.1   | 25.1   | 23.9   | 24.4   | 24.2   |
|                 |            | 75            | 0         | 25.8                    | 26.2   | 26.0   | 23.6   | 23.6   | 23.5   | 25.1   | 25.1   | 25.1   | 23.8   | 24.5   | 24.2   |
|                 | 64QAM      | 1             | 0         | 23.4                    | 23.5   | 23.3   | 22.2   | 22.3   | 22.0   | 22.4   | 23.0   | 22.7   | 21.1   | 21.8   | 21.5   |
|                 |            | 1             | 1         | 25.7                    | 26.1   | 25.7   | 22.8   | 23.0   | 22.9   | 24.9   | 25.4   | 25.3   | 23.9   | 24.1   | 24.3   |
|                 |            | 1             | 76        | 25.8                    | 26.2   | 25.8   | 23.1   | 23.3   | 23.0   | 24.9   | 25.4   | 24.9   | 23.7   | 24.2   | 24.1   |
|                 |            | 1             | 77        | 23.4                    | 23.6   | 23.2   | 22.1   | 22.2   | 22.3   | 22.4   | 22.8   | 22.2   | 21.4   | 21.7   | 21.5   |
|                 |            | 36            | 18        | 25.8                    | 26.2   | 25.9   | 23.0   | 23.2   | 23.0   | 25.0   | 25.2   | 25.2   | 23.8   | 24.5   | 24.2   |
|                 |            | 75            | 0         | 25.8                    | 26.1   | 25.9   | 23.1   | 23.1   | 23.0   | 25.1   | 25.1   | 25.2   | 23.9   | 24.3   | 24.2   |
|                 | 256QAM     | 1             | 0         | 23.1                    | 23.6   | 23.2   | 21.3   | 21.2   | 20.8   | 22.4   | 22.5   | 22.6   | 21.4   | 21.6   | 21.5   |
|                 |            | 1             | 1         | 23.1                    | 23.6   | 23.2   | 21.4   | 21.3   | 21.0   | 22.6   | 22.5   | 22.7   | 21.4   | 21.8   | 21.6   |
|                 |            | 1             | 76        | 23.3                    | 23.8   | 23.4   | 21.1   | 21.5   | 20.9   | 22.6   | 22.4   | 22.4   | 21.6   | 21.8   | 21.6   |
|                 |            | 1             | 77        | 23.3                    | 24.0   | 23.2   | 21.1   | 21.3   | 21.1   | 22.7   | 22.4   | 22.4   | 21.5   | 22.0   | 21.6   |
|                 |            | 36            | 18        | 23.3                    | 23.5   | 23.3   | 21.1   | 21.2   | 20.9   | 22.5   | 22.6   | 22.7   | 21.4   | 21.9   | 21.7   |
|                 |            | 75            | 0         | 23.2                    | 23.6   | 23.4   | 21.1   | 21.2   | 21.0   | 22.6   | 22.7   | 22.6   | 21.3   | 21.8   | 21.7   |

**OUTPUT POWER FOR 5G NR n77 (40.0 MHz)**

| Bandwidth (MHz) | Modulation | RB Allocation | RB Offset | Conducted Average (dBm) |        |        |        |        |        |        |        |        |        |        |        |
|-----------------|------------|---------------|-----------|-------------------------|--------|--------|--------|--------|--------|--------|--------|--------|--------|--------|--------|
|                 |            |               |           | ANT 6                   |        |        | ANT 7  |        |        | ANT 1  |        |        | ANT 5  |        |        |
|                 |            |               |           | 648000                  | 656000 | 664000 | 648000 | 656000 | 664000 | 648000 | 656000 | 664000 | 648000 | 656000 | 664000 |
| 40.0            | BPSK       | 1             | 0         | 23.7                    | 24.1   | 23.9   | 22.2   | 22.1   | 21.8   | 22.9   | 23.4   | 23.2   | 21.7   | 22.4   | 22.4   |
|                 |            | 1             | 1         | 25.9                    | 26.1   | 26.0   | 25.7   | 25.6   | 25.5   | 24.9   | 25.4   | 25.2   | 23.8   | 24.4   | 24.2   |
|                 |            | 1             | 104       | 25.8                    | 26.2   | 25.9   | 25.9   | 25.6   | 25.7   | 25.0   | 25.3   | 22.0   | 23.9   | 24.4   | 24.0   |
|                 |            | 1             | 105       | 23.8                    | 24.2   | 23.8   | 22.4   | 22.3   | 22.3   | 23.0   | 25.2   | 25.2   | 22.0   | 22.4   | 22.1   |
|                 |            | 50            | 25        | 25.8                    | 26.1   | 25.8   | 25.7   | 25.8   | 25.5   | 25.1   | 25.2   | 25.3   | 23.9   | 24.4   | 24.3   |
|                 |            | 100           | 0         | 25.8                    | 26.2   | 25.8   | 25.2   | 25.3   | 25.1   | 25.1   | 25.2   | 25.3   | 23.9   | 24.4   | 24.2   |
|                 | QPSK       | 1             | 0         | 23.2                    | 23.7   | 23.4   | 22.1   | 22.3   | 22.0   | 22.6   | 22.7   | 22.9   | 21.3   | 21.9   | 21.8   |
|                 |            | 1             | 1         | 25.7                    | 26.2   | 25.9   | 25.6   | 25.7   | 25.6   | 25.1   | 25.3   | 25.4   | 23.9   | 24.3   | 24.5   |
|                 |            | 1             | 104       | 25.9                    | 26.2   | 25.9   | 25.6   | 25.7   | 25.7   | 25.1   | 25.1   | 25.1   | 24.1   | 24.4   | 24.3   |
|                 |            | 1             | 105       | 23.4                    | 23.6   | 23.4   | 22.2   | 22.4   | 22.3   | 24.9   | 22.7   | 22.6   | 21.4   | 22.0   | 21.5   |
|                 |            | 50            | 25        | 25.8                    | 26.1   | 25.9   | 25.6   | 25.8   | 25.6   | 25.1   | 25.2   | 25.3   | 23.9   | 24.4   | 24.2   |
|                 |            | 100           | 0         | 25.9                    | 26.2   | 25.9   | 24.7   | 24.8   | 24.5   | 25.1   | 25.2   | 25.2   | 23.9   | 24.4   | 24.2   |
|                 | 16QAM      | 1             | 0         | 23.4                    | 23.6   | 23.6   | 22.2   | 22.4   | 21.9   | 22.6   | 22.7   | 22.8   | 21.4   | 21.6   | 21.6   |
|                 |            | 1             | 1         | 25.8                    | 25.9   | 26.2   | 24.7   | 24.8   | 24.4   | 25.3   | 25.2   | 25.3   | 23.7   | 24.1   | 24.1   |
|                 |            | 1             | 104       | 25.9                    | 26.0   | 25.9   | 24.8   | 24.9   | 24.6   | 25.1   | 25.1   | 25.0   | 23.8   | 24.2   | 24.1   |
|                 |            | 1             | 105       | 23.3                    | 23.5   | 23.1   | 22.0   | 22.3   | 22.0   | 22.6   | 22.5   | 22.6   | 21.4   | 21.9   | 21.4   |
|                 |            | 50            | 25        | 25.9                    | 26.2   | 25.8   | 24.7   | 24.7   | 24.5   | 25.1   | 25.2   | 25.2   | 23.8   | 24.3   | 24.3   |
|                 |            | 100           | 0         | 25.8                    | 26.1   | 25.9   | 23.7   | 23.7   | 23.5   | 25.1   | 25.2   | 25.2   | 23.8   | 24.4   | 24.3   |
|                 | 64QAM      | 1             | 0         | 23.1                    | 23.7   | 23.3   | 22.2   | 22.3   | 22.3   | 22.6   | 22.9   | 22.8   | 21.3   | 21.8   | 22.0   |
|                 |            | 1             | 1         | 25.5                    | 26.3   | 25.8   | 23.2   | 23.3   | 23.3   | 25.2   | 25.4   | 25.3   | 23.9   | 24.3   | 24.4   |
|                 |            | 1             | 104       | 25.9                    | 26.3   | 25.7   | 23.1   | 22.9   | 23.3   | 25.1   | 25.3   | 25.1   | 24.2   | 24.3   | 24.3   |
|                 |            | 1             | 105       | 23.3                    | 23.9   | 23.2   | 22.2   | 21.9   | 22.4   | 22.6   | 22.8   | 22.6   | 21.5   | 21.8   | 21.6   |
|                 |            | 50            | 25        | 25.8                    | 26.2   | 25.8   | 23.2   | 23.4   | 23.1   | 25.1   | 25.2   | 25.3   | 23.8   | 24.4   | 24.3   |
|                 |            | 100           | 0         | 25.8                    | 26.1   | 25.9   | 23.2   | 23.2   | 23.1   | 25.1   | 25.2   | 25.3   | 23.8   | 24.3   | 24.3   |
|                 | 256QAM     | 1             | 0         | 23.1                    | 23.6   | 23.4   | 21.4   | 21.2   | 21.1   | 22.8   | 22.6   | 22.6   | 21.2   | 21.9   | 21.9   |
|                 |            | 1             | 1         | 23.2                    | 23.6   | 23.4   | 21.4   | 21.1   | 21.0   | 22.8   | 23.0   | 22.6   | 21.2   | 22.1   | 22.0   |
|                 |            | 1             | 104       | 23.1                    | 23.5   | 23.0   | 21.2   | 21.3   | 21.0   | 22.8   | 23.0   | 22.4   | 21.4   | 22.3   | 21.6   |
|                 |            | 1             | 105       | 23.2                    | 23.4   | 23.4   | 21.3   | 21.1   | 21.2   | 22.9   | 22.9   | 22.3   | 21.6   | 22.1   | 21.7   |
|                 |            | 50            | 25        | 23.3                    | 23.6   | 23.3   | 21.2   | 21.2   | 21.1   | 22.6   | 22.7   | 22.8   | 21.3   | 21.9   | 21.6   |
|                 |            | 100           | 0         | 23.2                    | 23.6   | 23.3   | 21.2   | 21.3   | 21.1   | 22.6   | 22.6   | 22.8   | 21.3   | 21.8   | 21.7   |

**OUTPUT POWER FOR 5G NR n77 (50.0 MHz)**

| Bandwidth (MHz) | Modulation | RB Allocation | RB Offset | Conducted Average (dBm) |             |        |             |             |             |        |             |        |        |        |             |
|-----------------|------------|---------------|-----------|-------------------------|-------------|--------|-------------|-------------|-------------|--------|-------------|--------|--------|--------|-------------|
|                 |            |               |           | ANT 6                   |             |        | ANT 7       |             |             | ANT 1  |             |        | ANT 5  |        |             |
|                 |            |               |           | 648333                  | 656000      | 663666 | 648333      | 656000      | 663666      | 648333 | 656000      | 663666 | 648333 | 656000 | 663666      |
| 50.0            | BPSK       | 1             | 0         | 23.7                    | 24.0        | 24.0   | 22.3        | 22.3        | 22.2        | 23.2   | 23.4        | 23.2   | 22.0   | 22.3   | 22.4        |
|                 |            | 1             | 1         | 25.8                    | 26.2        | 26.0   | 25.8        | 25.8        | 25.7        | 25.2   | 25.4        | 25.2   | 24.0   | 24.4   | 24.6        |
|                 |            | 1             | 131       | 25.9                    | 26.3        | 25.9   | <b>25.9</b> | 25.7        | 25.9        | 25.3   | 25.2        | 25.0   | 24.3   | 24.6   | 24.1        |
|                 |            | 1             | 132       | 23.9                    | 24.1        | 23.9   | 22.3        | 22.3        | 22.3        | 25.2   | 24.8        | 25.1   | 22.2   | 22.7   | 22.1        |
|                 |            | 64            | 32        | 25.8                    | <b>26.3</b> | 25.8   | 25.7        | 25.8        | 25.6        | 25.2   | 25.2        | 25.3   | 24.0   | 24.5   | 24.2        |
|                 |            | 128           | 0         | 25.8                    | 26.1        | 25.8   | 25.2        | 25.2        | 25.1        | 25.2   | 25.3        | 25.3   | 24.1   | 24.5   | 24.2        |
|                 | QPSK       | 1             | 0         | 23.2                    | 23.7        | 23.4   | 22.3        | 22.2        | 22.2        | 22.7   | 22.8        | 22.7   | 21.5   | 21.8   | 22.1        |
|                 |            | 1             | 1         | 25.6                    | 26.1        | 26.0   | 25.7        | 25.8        | 25.7        | 25.2   | <b>25.3</b> | 25.0   | 24.0   | 24.4   | <b>24.5</b> |
|                 |            | 1             | 131       | 25.8                    | <b>26.3</b> | 25.8   | <b>25.9</b> | 25.9        | <b>25.9</b> | 25.3   | 25.2        | 25.1   | 24.3   | 24.5   | 24.2        |
|                 |            | 1             | 132       | 23.4                    | 23.8        | 23.4   | 22.4        | 22.4        | 22.3        | 22.7   | 22.7        | 22.6   | 21.7   | 22.0   | 21.7        |
|                 |            | 64            | 32        | 25.8                    | 26.1        | 25.9   | 25.7        | 25.9        | 25.6        | 25.2   | 25.2        | 25.3   | 24.0   | 24.5   | 24.2        |
|                 |            | 128           | 0         | 25.9                    | 26.1        | 26.0   | 24.7        | 24.8        | 24.6        | 25.2   | 25.2        | 25.3   | 24.0   | 24.4   | 24.2        |
|                 | 16QAM      | 1             | 0         | 23.0                    | 23.6        | 23.5   | 22.7        | 22.3        | 22.3        | 22.6   | 22.8        | 22.7   | 21.5   | 21.9   | 22.0        |
|                 |            | 1             | 1         | 25.7                    | 26.2        | 26.1   | 25.0        | 24.7        | 24.6        | 25.2   | <b>25.3</b> | 25.3   | 23.8   | 24.4   | <b>24.6</b> |
|                 |            | 1             | 131       | 25.9                    | <b>26.4</b> | 26.0   | <b>25.1</b> | 24.8        | 24.8        | 25.2   | 25.2        | 24.5   | 24.2   | 24.6   | 24.0        |
|                 |            | 1             | 132       | 23.1                    | 23.7        | 23.3   | 22.7        | 22.3        | 22.4        | 22.8   | 22.6        | 22.4   | 21.9   | 22.1   | 21.5        |
|                 |            | 64            | 32        | 25.8                    | 26.1        | 25.8   | 24.7        | 24.8        | 24.7        | 25.1   | 25.2        | 25.2   | 24.0   | 24.4   | 24.1        |
|                 |            | 128           | 0         | 25.8                    | 26.0        | 25.9   | 23.7        | 23.8        | 23.5        | 25.2   | 25.2        | 25.3   | 24.1   | 24.4   | 24.2        |
|                 | 64QAM      | 1             | 0         | 23.3                    | 23.6        | 23.2   | 22.2        | 22.6        | 22.4        | 22.8   | 23.2        | 22.6   | 21.5   | 21.7   | 22.0        |
|                 |            | 1             | 1         | 25.7                    | <b>26.0</b> | 25.8   | 23.1        | <b>23.5</b> | 23.3        | 25.4   | <b>25.6</b> | 25.2   | 23.8   | 24.2   | 24.4        |
|                 |            | 1             | 131       | 25.8                    | 25.9        | 25.7   | 23.3        | <b>23.4</b> | <b>23.3</b> | 23.4   | 23.3        | 25.4   | 25.1   | 24.0   | <b>24.5</b> |
|                 |            | 1             | 132       | 23.5                    | 23.7        | 23.6   | 22.1        | 22.4        | 22.4        | 22.9   | 22.9        | 22.6   | 21.8   | 21.9   | 21.5        |
|                 |            | 64            | 32        | 25.7                    | 25.9        | 25.8   | 23.2        | 23.3        | 23.1        | 25.2   | 25.3        | 25.3   | 24.0   | 24.4   | 24.2        |
|                 |            | 128           | 0         | 25.7                    | 25.9        | 25.7   | 23.2        | 23.3        | 23.1        | 25.2   | 25.2        | 25.2   | 24.1   | 24.4   | 24.2        |
|                 | 256QAM     | 1             | 0         | 23.5                    | 23.7        | 23.6   | 21.2        | 21.3        | 21.1        | 22.7   | <b>22.8</b> | 22.6   | 21.7   | 21.8   | 21.9        |
|                 |            | 1             | 1         | 23.3                    | 23.6        | 23.4   | 21.2        | <b>21.4</b> | 21.1        | 22.6   | <b>22.8</b> | 22.7   | 21.6   | 21.8   | 21.9        |
|                 |            | 1             | 131       | 23.6                    | <b>24.1</b> | 23.5   | 21.2        | <b>21.4</b> | 21.2        | 22.7   | <b>22.7</b> | 22.6   | 22.0   | 21.9   | <b>22.1</b> |
|                 |            | 1             | 132       | 23.7                    | 24.0        | 23.2   | 21.2        | <b>21.4</b> | 21.2        | 22.8   | 22.7        | 22.5   | 21.6   | 22.1   | 21.5        |
|                 |            | 64            | 32        | 23.3                    | 23.7        | 23.3   | 21.2        | 21.4        | 21.0        | 22.6   | 22.6        | 22.8   | 21.5   | 21.9   | 21.7        |
|                 |            | 128           | 0         | 23.3                    | 23.6        | 23.3   | 21.3        | 21.3        | 21.1        | 22.7   | 22.7        | 22.7   | 21.5   | 22.0   | 21.6        |

**OUTPUT POWER FOR 5G NR n77 (60.0 MHz)**

| Bandwidth (MHz) | Modulation | RB Allocation | RB Offset | Conducted Average (dBm) |             |        |             |             |        |             |             |             |        |             |             |
|-----------------|------------|---------------|-----------|-------------------------|-------------|--------|-------------|-------------|--------|-------------|-------------|-------------|--------|-------------|-------------|
|                 |            |               |           | ANT 6                   |             |        | ANT 7       |             |        | ANT 1       |             |             | ANT 5  |             |             |
|                 |            |               |           | 648666                  | 656000      | 663333 | 648666      | 656000      | 663333 | 648666      | 656000      | 663333      | 648666 | 656000      | 663333      |
| 60.0            | BPSK       | 1             | 0         | 23.7                    | 24.1        | 24.0   | 22.2        | 22.2        | 22.1   | 23.2        | 23.3        | 22.9        | 21.7   | 22.2        | 22.4        |
|                 |            | 1             | 1         | 25.5                    | 26.1        | 26.1   | 25.7        | 25.7        | 25.6   | 25.2        | <b>25.3</b> | 24.9        | 23.9   | 24.3        | <b>24.6</b> |
|                 |            | 1             | 160       | 25.9                    | <b>26.2</b> | 25.8   | 25.8        | 25.6        | 25.8   | 25.2        | 25.1        | 25.0        | 24.2   | 24.6        | 24.0        |
|                 |            | 1             | 161       | 24.0                    | 24.2        | 23.9   | 22.2        | 22.2        | 22.2   | 23.2        | 23.1        | 23.0        | 22.2   | 22.5        | 22.1        |
|                 |            | 81            | 40        | 25.7                    | 26.1        | 25.8   | 25.7        | <b>25.9</b> | 25.5   | 25.1        | 25.1        | 25.2        | 23.9   | 24.5        | 24.2        |
|                 |            | 162           | 0         | 25.7                    | 26.1        | 25.9   | 25.1        | 25.3        | 25.0   | 25.2        | 25.2        | 25.2        | 24.0   | 24.3        | 24.1        |
|                 | QPSK       | 1             | 0         | 23.1                    | 23.5        | 23.5   | 22.3        | 22.1        | 22.2   | 22.6        | 22.8        | 24.5        | 21.2   | 21.7        | 22.0        |
|                 |            | 1             | 1         | 25.6                    | 26.0        | 26.0   | 25.8        | 25.7        | 25.7   | 25.2        | 25.2        | 25.0        | 23.7   | 24.3        | 24.4        |
|                 |            | 1             | 160       | 25.9                    | <b>26.3</b> | 25.9   | <b>25.9</b> | 25.7        | 25.7   | 25.2        | 25.1        | 25.0        | 24.1   | <b>24.5</b> | 24.1        |
|                 |            | 1             | 161       | 23.4                    | 23.7        | 23.2   | 22.3        | 22.2        | 22.2   | 22.7        | 22.6        | 22.5        | 21.7   | 22.0        | 21.6        |
|                 |            | 81            | 40        | 25.8                    | 26.1        | 25.9   | 25.6        | 25.8        | 25.6   | 25.1        | 25.1        | <b>25.3</b> | 23.9   | 24.3        | 24.2        |
|                 |            | 162           | 0         | 25.9                    | 26.1        | 25.9   | 24.6        | 24.7        | 24.5   | 25.2        | 25.2        | 25.2        | 23.9   | 24.4        | 24.2        |
|                 | 16QAM      | 1             | 0         | 23.1                    | 23.5        | 23.6   | 22.4        | 22.0        | 22.1   | 22.8        | 22.7        | 22.7        | 21.0   | 21.6        | 22.0        |
|                 |            | 1             | 1         | 25.8                    | 25.9        | 25.9   | 24.8        | 24.7        | 24.5   | <b>25.3</b> | 25.3        | 25.0        | 23.6   | 24.1        | <b>24.4</b> |
|                 |            | 1             | 160       | 25.9                    | 26.0        | 25.7   | 24.8        | 24.5        | 24.6   | 25.2        | 24.9        | 25.0        | 23.9   | 24.3        | 24.1        |
|                 |            | 1             | 161       | 23.3                    | 23.6        | 23.3   | 22.2        | 22.1        | 22.1   | 22.8        | 22.4        | 22.5        | 21.7   | 21.8        | 21.6        |
|                 |            | 81            | 40        | 25.8                    | <b>26.1</b> | 25.9   | 24.8        | <b>24.8</b> | 24.5   | 25.2        | 25.1        | 25.3        | 24.0   | 24.4        | 24.2        |
|                 |            | 162           | 0         | 25.7                    | 26.0        | 25.9   | 23.8        | 23.7        | 23.6   | 25.1        | 25.2        | 25.2        | 23.9   | <b>24.4</b> | 24.2        |
|                 | 64QAM      | 1             | 0         | 23.1                    | 23.8        | 23.8   | 22.2        | 22.4        | 22.0   | 22.8        | 22.8        | 22.6        | 21.2   | 21.9        | 21.9        |
|                 |            | 1             | 1         | 25.8                    | 25.9        | 26.0   | 23.1        | 23.1        | 23.0   | 25.3        | <b>25.4</b> | 25.0        | 23.8   | 24.4        | 24.7        |
|                 |            | 1             | 160       | 26.0                    | 26.0        | 25.7   | <b>23.5</b> | 23.2        | 23.2   | 25.2        | 25.1        | 25.0        | 24.0   | <b>24.7</b> | 24.2        |
|                 |            | 1             | 161       | 23.4                    | 23.7        | 23.7   | 22.1        | 22.1        | 22.3   | 22.7        | 22.7        | 22.4        | 21.6   | 22.1        | 21.3        |
|                 |            | 81            | 40        | 25.8                    | 26.1        | 25.8   | 23.1        | 23.3        | 23.1   | 25.2        | 25.1        | 25.2        | 23.9   | 24.3        | 24.2        |
|                 |            | 162           | 0         | 25.7                    | <b>26.1</b> | 25.8   | 23.1        | 23.3        | 23.1   | 25.1        | 25.1        | 25.2        | 23.9   | 24.5        | 24.2        |
|                 | 256QAM     | 1             | 0         | 23.1                    | 23.7        | 23.8   | 21.3        | 21.2        | 21.6   | 22.9        | 22.7        | 22.6        | 21.3   | 21.8        | <b>22.2</b> |
|                 |            | 1             | 1         | 23.2                    | 23.6        | 23.8   | 21.1        | 21.4        | 21.3   | 22.7        | 22.8        | 22.4        | 21.4   | 21.8        | 22.1        |
|                 |            | 1             | 160       | 23.5                    | <b>23.8</b> | 23.5   | 21.2        | 21.5        | 21.4   | 22.9        | 22.6        | 22.5        | 21.6   | 22.0        | 21.8        |
|                 |            | 1             | 161       | 23.6                    | 23.8        | 23.4   | 21.1        | <b>21.7</b> | 21.1   | <b>22.9</b> | 22.6        | 22.6        | 22.0   | 21.9        | 21.7        |
|                 |            | 81            | 40        | 23.3                    | 23.7        | 23.3   | 21.1        | 21.3        | 21.0   | 22.7        | 22.6        | 22.8        | 21.4   | 22.0        | 21.6        |
|                 |            | 162           | 0         | 23.2                    | 23.6        | 23.4   | 21.2        | 21.2        | 21.1   | 22.6        | 22.7        | 22.7        | 21.4   | 21.9        | 21.6        |

**OUTPUT POWER FOR 5G NR n77 (70.0 MHz)**

| Bandwidth (MHz) | Modulation | RB Allocation | RB Offset | Conducted Average (dBm) |        |        |        |        |        |        |        |        |        |        |        |
|-----------------|------------|---------------|-----------|-------------------------|--------|--------|--------|--------|--------|--------|--------|--------|--------|--------|--------|
|                 |            |               |           | ANT 6                   |        |        | ANT 7  |        |        | ANT 1  |        |        | ANT 5  |        |        |
|                 |            |               |           | 649000                  | 656000 | 663000 | 649000 | 656000 | 663000 | 649000 | 656000 | 663000 | 649000 | 656000 | 663000 |
| 70.0            | BPSK       | 1             | 0         | 23.7                    | 24.0   | 24.1   | 22.4   | 22.2   | 22.2   | 23.2   | 23.4   | 22.9   | 21.9   | 22.4   | 22.6   |
|                 |            | 1             | 1         | 25.8                    | 26.1   | 26.1   | 25.9   | 25.7   | 25.7   | 25.2   | 25.5   | 24.9   | 24.0   | 24.4   | 24.5   |
|                 |            | 1             | 187       | 26.1                    | 26.4   | 26.0   | 25.8   | 25.7   | 25.9   | 25.3   | 25.2   | 25.1   | 24.5   | 24.6   | 24.2   |
|                 |            | 1             | 188       | 24.0                    | 24.2   | 23.7   | 22.3   | 22.3   | 22.3   | 23.2   | 25.0   | 25.0   | 22.4   | 22.7   | 22.1   |
|                 |            | 90            | 45        | 25.8                    | 26.1   | 25.8   | 25.7   | 25.9   | 25.7   | 25.1   | 25.2   | 25.3   | 24.1   | 24.6   | 24.4   |
|                 |            | 180           | 0         | 25.8                    | 26.2   | 26.0   | 25.3   | 25.3   | 25.2   | 24.2   | 25.1   | 25.2   | 24.1   | 24.5   | 24.4   |
|                 | QPSK       | 1             | 0         | 23.2                    | 23.7   | 23.6   | 22.4   | 22.3   | 22.2   | 22.7   | 22.9   | 22.5   | 21.4   | 22.0   | 21.9   |
|                 |            | 1             | 1         | 25.8                    | 26.2   | 26.2   | 25.9   | 25.9   | 25.8   | 25.2   | 25.5   | 24.9   | 23.9   | 24.5   | 24.5   |
|                 |            | 1             | 187       | 26.0                    | 26.2   | 25.9   | 25.8   | 26.0   | 24.8   | 25.2   | 25.1   | 24.4   | 24.7   | 24.1   |        |
|                 |            | 1             | 188       | 23.4                    | 23.7   | 23.4   | 22.5   | 22.3   | 22.3   | 22.7   | 22.6   | 22.6   | 22.0   | 22.1   | 21.5   |
|                 |            | 90            | 45        | 25.9                    | 26.1   | 25.8   | 25.8   | 25.9   | 25.6   | 25.1   | 25.2   | 25.2   | 24.1   | 24.4   | 24.3   |
|                 |            | 180           | 0         | 25.9                    | 26.1   | 25.8   | 24.8   | 24.9   | 24.7   | 25.1   | 25.2   | 25.2   | 24.0   | 24.6   | 24.4   |
|                 | 16QAM      | 1             | 0         | 23.2                    | 23.4   | 23.4   | 22.4   | 22.6   | 22.2   | 22.9   | 22.9   | 22.4   | 21.2   | 21.8   | 22.1   |
|                 |            | 1             | 1         | 25.7                    | 26.2   | 25.9   | 24.9   | 25.1   | 24.7   | 25.3   | 25.4   | 25.0   | 23.7   | 24.4   | 25.1   |
|                 |            | 1             | 187       | 25.8                    | 26.3   | 25.9   | 24.7   | 25.0   | 25.0   | 25.2   | 25.2   | 25.2   | 24.2   | 24.8   | 24.5   |
|                 |            | 1             | 188       | 23.3                    | 23.8   | 23.1   | 22.2   | 22.7   | 22.4   | 22.6   | 22.7   | 22.8   | 21.7   | 22.4   | 21.9   |
|                 |            | 90            | 45        | 25.8                    | 26.2   | 25.9   | 24.8   | 24.8   | 24.7   | 25.2   | 25.2   | 25.2   | 24.1   | 24.5   | 24.3   |
|                 |            | 180           | 0         | 25.8                    | 26.1   | 25.9   | 23.8   | 23.7   | 23.8   | 25.1   | 25.2   | 25.2   | 24.1   | 24.4   | 24.3   |
|                 | 64QAM      | 1             | 0         | 23.2                    | 23.7   | 23.7   | 22.5   | 22.5   | 22.2   | 22.7   | 23.0   | 22.5   | 21.1   | 21.8   | 22.2   |
|                 |            | 1             | 1         | 25.8                    | 26.3   | 26.1   | 23.5   | 23.5   | 23.3   | 25.2   | 25.6   | 24.9   | 24.1   | 24.3   | 24.5   |
|                 |            | 1             | 187       | 26.0                    | 26.3   | 25.8   | 23.5   | 23.3   | 23.1   | 25.4   | 25.3   | 25.1   | 24.2   | 24.4   | 24.1   |
|                 |            | 1             | 188       | 23.6                    | 23.8   | 23.3   | 22.5   | 22.3   | 22.2   | 22.8   | 22.8   | 22.5   | 21.8   | 21.9   | 21.9   |
|                 |            | 90            | 45        | 25.8                    | 25.9   | 25.8   | 23.3   | 23.3   | 23.0   | 25.2   | 25.1   | 25.3   | 24.1   | 24.3   | 24.3   |
|                 |            | 180           | 0         | 25.8                    | 26.1   | 25.8   | 23.2   | 23.2   | 23.1   | 25.2   | 25.1   | 25.1   | 24.2   | 24.5   | 24.2   |
|                 | 256QAM     | 1             | 0         | 23.2                    | 23.6   | 23.8   | 21.6   | 21.1   | 21.2   | 22.7   | 22.8   | 22.4   | 21.4   | 21.7   | 22.1   |
|                 |            | 1             | 1         | 23.3                    | 23.7   | 23.6   | 21.6   | 21.2   | 21.2   | 22.7   | 22.8   | 22.4   | 21.4   | 21.6   | 22.2   |
|                 |            | 1             | 187       | 23.5                    | 24.1   | 23.5   | 21.6   | 21.2   | 21.4   | 22.8   | 22.6   | 22.4   | 21.8   | 21.9   | 21.5   |
|                 |            | 1             | 188       | 23.4                    | 24.1   | 23.5   | 21.6   | 21.0   | 21.4   | 22.7   | 22.5   | 22.7   | 21.9   | 22.0   | 21.5   |
|                 |            | 90            | 45        | 23.3                    | 23.7   | 23.2   | 21.3   | 21.2   | 21.1   | 22.6   | 22.7   | 22.8   | 21.7   | 22.0   | 21.7   |
|                 |            | 180           | 0         | 23.2                    | 23.6   | 23.4   | 21.2   | 21.2   | 21.3   | 22.6   | 22.7   | 22.6   | 21.6   | 21.9   | 21.8   |

**OUTPUT POWER FOR 5G NR n77 (80.0 MHz)**

| Bandwidth (MHz) | Modulation | RB Allocation | RB Offset | Conducted Average (dBm) |        |        |        |        |        |        |        |        |        |        |        |
|-----------------|------------|---------------|-----------|-------------------------|--------|--------|--------|--------|--------|--------|--------|--------|--------|--------|--------|
|                 |            |               |           | ANT 6                   |        |        | ANT 7  |        |        | ANT 1  |        |        | ANT 5  |        |        |
|                 |            |               |           | 649333                  | 656000 | 662666 | 649333 | 656000 | 662666 | 649333 | 656000 | 662666 | 649333 | 656000 | 662666 |
| 80.0            | BPSK       | 1             | 0         | 23.8                    | 24.1   | 24.2   | 22.5   | 22.3   | 22.3   | 23.2   | 23.5   | 23.0   | 22.0   | 22.6   | 22.5   |
|                 |            | 1             | 1         | 25.8                    | 26.1   | 26.3   | 26.0   | 25.9   | 25.8   | 25.3   | 25.6   | 25.0   | 24.0   | 24.4   | 24.5   |
|                 |            | 1             | 215       | 26.0                    | 26.4   | 26.0   | 26.0   | 25.9   | 26.0   | 25.4   | 25.2   | 25.2   | 24.6   | 24.6   | 24.3   |
|                 |            | 1             | 216       | 24.1                    | 24.3   | 23.9   | 22.4   | 22.4   | 22.5   | 25.0   | 25.0   | 23.1   | 22.5   | 22.6   | 22.1   |
|                 |            | 108           | 54        | 25.7                    | 26.1   | 25.8   | 25.8   | 25.9   | 25.7   | 25.1   | 25.2   | 25.2   | 24.1   | 24.6   | 24.4   |
|                 |            | 216           | 0         | 25.8                    | 26.2   | 25.8   | 25.4   | 25.5   | 25.3   | 25.2   | 25.2   | 25.1   | 24.1   | 24.5   | 24.3   |
|                 | QPSK       | 1             | 0         | 23.3                    | 23.6   | 23.7   | 22.5   | 22.4   | 22.3   | 22.7   | 23.0   | 22.5   | 21.4   | 21.9   | 22.0   |
|                 |            | 1             | 1         | 25.8                    | 26.2   | 26.2   | 26.0   | 26.0   | 25.8   | 25.2   | 25.6   | 25.1   | 23.8   | 24.4   | 24.6   |
|                 |            | 1             | 215       | 26.1                    | 26.3   | 25.9   | 25.9   | 25.9   | 25.4   | 25.2   | 25.2   | 24.5   | 24.5   | 24.8   | 24.3   |
|                 |            | 1             | 216       | 23.6                    | 23.7   | 23.4   | 22.5   | 22.4   | 22.5   | 22.9   | 22.7   | 22.7   | 22.0   | 22.1   | 21.8   |
|                 |            | 108           | 54        | 25.7                    | 26.2   | 25.9   | 25.8   | 25.9   | 25.7   | 25.2   | 25.2   | 25.2   | 24.2   | 24.5   | 24.4   |
|                 |            | 216           | 0         | 25.8                    | 26.2   | 25.8   | 24.8   | 24.9   | 24.7   | 25.2   | 25.2   | 25.1   | 24.1   | 24.5   | 24.4   |
|                 | 16QAM      | 1             | 0         | 23.0                    | 23.7   | 23.6   | 22.4   | 22.4   | 22.5   | 22.9   | 23.2   | 22.6   | 21.5   | 21.7   | 22.2   |
|                 |            | 1             | 1         | 25.9                    | 26.0   | 25.9   | 24.9   | 24.9   | 24.8   | 25.4   | 25.8   | 25.1   | 23.8   | 24.4   | 24.4   |
|                 |            | 1             | 215       | 25.8                    | 26.3   | 25.8   | 24.9   | 25.1   | 24.7   | 25.6   | 25.2   | 25.2   | 24.7   | 24.6   | 24.0   |
|                 |            | 1             | 216       | 23.9                    | 23.8   | 23.5   | 22.1   | 22.4   | 22.5   | 23.1   | 22.7   | 22.7   | 22.0   | 21.8   | 22.0   |
|                 |            | 108           | 54        | 25.8                    | 26.2   | 25.8   | 24.8   | 24.9   | 24.7   | 25.2   | 25.2   | 25.1   | 24.0   | 24.5   | 24.3   |
|                 |            | 216           | 0         | 25.7                    | 26.1   | 25.9   | 23.9   | 24.0   | 23.8   | 25.2   | 25.2   | 25.1   | 24.1   | 24.5   | 24.4   |
|                 | 64QAM      | 1             | 0         | 23.6                    | 23.5   | 23.7   | 22.4   | 22.4   | 22.5   | 22.7   | 23.2   | 22.4   | 21.5   | 22.0   | 21.7   |
|                 |            | 1             | 1         | 25.9                    | 26.0   | 26.1   | 23.5   | 23.4   | 23.6   | 25.1   | 25.8   | 25.0   | 23.9   | 24.4   | 24.5   |
|                 |            | 1             | 215       | 26.1                    | 26.1   | 25.8   | 23.4   | 23.4   | 23.4   | 25.3   | 25.4   | 25.1   | 24.5   | 24.8   | 24.1   |
|                 |            | 1             | 216       | 23.6                    | 23.8   | 23.4   | 22.2   | 22.5   | 22.6   | 22.8   | 22.8   | 22.6   | 22.0   | 22.0   | 21.6   |
|                 |            | 108           | 54        | 25.6                    | 26.1   | 25.8   | 23.3   | 23.3   | 23.2   | 25.1   | 25.2   | 25.1   | 24.1   | 24.4   | 24.4   |
|                 |            | 216           | 0         | 25.8                    | 26.1   | 25.8   | 23.3   | 23.3   | 23.2   | 25.1   | 25.2   | 25.1   | 24.2   | 24.5   | 24.4   |
|                 | 256QAM     | 1             | 0         | 23.4                    | 23.5   | 23.6   | 21.7   | 21.6   | 21.5   | 22.8   | 23.2   | 22.4   | 21.3   | 22.2   | 22.1   |
|                 |            | 1             | 1         | 23.4                    | 23.5   | 23.9   | 21.5   | 21.6   | 21.6   | 22.9   | 23.3   | 22.6   | 21.2   | 22.0   | 22.2   |
|                 |            | 1             | 215       | 23.4                    | 23.6   | 23.4   | 21.7   | 21.7   | 21.7   | 23.1   | 23.0   | 22.8   | 21.9   | 22.3   | 21.9   |
|                 |            | 1             | 216       | 23.8                    | 23.6   | 23.8   | 21.6   | 21.4   | 21.8   | 22.8   | 22.9   | 22.7   | 21.7   | 22.4   | 21.7   |
|                 |            | 108           | 54        | 23.3                    | 23.6   | 23.2   | 21.2   | 21.3   | 21.2   | 22.7   | 22.7   | 22.6   | 21.7   | 22.0   | 21.9   |
|                 |            | 216           | 0         | 23.3                    | 23.6   | 23.3   | 21.2   | 21.2   | 21.3   | 22.7   | 22.7   | 22.6   | 21.7   | 22.0   | 21.9   |

### OUTPUT POWER FOR 5G NR n77 (90.0 MHz)

| Bandwidth (MHz) | Modulation | RB Allocation | RB Offset | Conducted Average (dBm) |        |        |        |        |        |        |        |        |        |        |        |
|-----------------|------------|---------------|-----------|-------------------------|--------|--------|--------|--------|--------|--------|--------|--------|--------|--------|--------|
|                 |            |               |           | ANT 6                   |        |        | ANT 7  |        |        | ANT 1  |        |        | ANT 5  |        |        |
|                 |            |               |           | 649666                  | 656000 | 662333 | 649666 | 656000 | 662333 | 649666 | 656000 | 662333 | 649666 | 656000 | 662333 |
| 90.0            | BPSK       | 1             | 0         | 23.6                    | 23.9   | 24.1   | 22.3   | 22.2   | 22.1   | 23.3   | 23.5   | 23.1   | 21.8   | 22.4   | 22.4   |
|                 |            | 1             | 1         | 25.8                    | 26.1   | 26.2   | 25.9   | 25.8   | 25.8   | 25.4   | 25.7   | 25.2   | 24.1   | 24.5   | 24.7   |
|                 |            | 1             | 243       | 26.1                    | 26.3   | 26.1   | 25.8   | 25.9   | 25.9   | 25.5   | 25.3   | 25.3   | 24.6   | 24.6   | 24.3   |
|                 |            | 1             | 244       | 24.1                    | 24.3   | 23.8   | 22.2   | 22.2   | 22.3   | 25.0   | 23.2   | 23.2   | 22.4   | 22.6   | 22.1   |
|                 |            | 120           | 60        | 25.9                    | 26.2   | 25.9   | 25.6   | 25.7   | 25.6   | 25.2   | 25.2   | 25.2   | 24.2   | 24.4   | 24.4   |
|                 |            | 243           | 0         | 25.8                    | 26.1   | 25.9   | 25.2   | 25.2   | 25.1   | 25.2   | 25.3   | 25.2   | 24.2   | 24.5   | 24.4   |
|                 | QPSK       | 1             | 0         | 23.2                    | 23.5   | 23.5   | 22.2   | 22.1   | 22.1   | 22.7   | 23.0   | 22.6   | 21.4   | 21.8   | 21.9   |
|                 |            | 1             | 1         | 25.8                    | 26.1   | 26.2   | 26.0   | 26.0   | 25.9   | 25.3   | 25.7   | 25.2   | 23.9   | 24.5   | 24.6   |
|                 |            | 1             | 243       | 26.2                    | 26.4   | 26.0   | 25.8   | 25.9   | 25.9   | 25.5   | 25.3   | 25.3   | 24.6   | 24.8   | 24.2   |
|                 |            | 1             | 244       | 23.4                    | 23.7   | 23.3   | 22.2   | 22.3   | 22.2   | 23.0   | 22.7   | 22.7   | 21.9   | 22.2   | 21.7   |
|                 |            | 120           | 60        | 25.6                    | 26.1   | 25.8   | 25.7   | 25.7   | 25.6   | 25.2   | 25.2   | 25.2   | 24.2   | 24.5   | 24.4   |
|                 |            | 243           | 0         | 25.8                    | 26.1   | 26.0   | 24.7   | 24.7   | 24.5   | 25.2   | 25.2   | 25.2   | 24.1   | 24.5   | 24.4   |
|                 | 16QAM      | 1             | 0         | 22.9                    | 23.5   | 23.4   | 22.3   | 22.0   | 22.1   | 22.7   | 23.0   | 22.6   | 21.7   | 21.7   | 21.8   |
|                 |            | 1             | 1         | 25.7                    | 26.2   | 26.3   | 24.9   | 24.7   | 24.7   | 25.3   | 25.6   | 25.3   | 23.9   | 24.3   | 24.5   |
|                 |            | 1             | 243       | 26.0                    | 26.3   | 25.8   | 24.9   | 24.6   | 24.9   | 25.6   | 25.3   | 25.3   | 24.6   | 24.6   | 24.1   |
|                 |            | 1             | 244       | 23.5                    | 23.6   | 23.1   | 22.3   | 22.0   | 22.3   | 23.0   | 22.7   | 22.6   | 22.2   | 22.2   | 21.4   |
|                 |            | 120           | 60        | 25.7                    | 26.1   | 25.9   | 24.6   | 24.7   | 24.6   | 25.2   | 25.2   | 25.2   | 24.1   | 24.4   | 24.3   |
|                 |            | 243           | 0         | 25.8                    | 26.1   | 25.9   | 23.7   | 23.7   | 23.7   | 25.2   | 25.3   | 25.2   | 24.2   | 24.5   | 24.3   |
|                 | 64QAM      | 1             | 0         | 22.8                    | 23.7   | 23.4   | 22.4   | 22.2   | 22.3   | 23.0   | 23.0   | 22.6   | 21.2   | 21.9   | 21.9   |
|                 |            | 1             | 1         | 26.0                    | 26.3   | 26.1   | 23.3   | 23.3   | 23.5   | 25.6   | 25.8   | 25.2   | 23.8   | 24.5   | 24.5   |
|                 |            | 1             | 243       | 26.0                    | 26.3   | 26.0   | 23.4   | 23.2   | 23.4   | 25.8   | 25.8   | 25.3   | 24.2   | 24.7   | 24.2   |
|                 |            | 1             | 244       | 23.6                    | 23.7   | 23.2   | 22.1   | 22.1   | 22.3   | 23.2   | 22.8   | 22.7   | 21.8   | 22.1   | 21.8   |
|                 |            | 120           | 60        | 25.7                    | 25.9   | 25.8   | 23.2   | 23.2   | 23.1   | 25.2   | 25.2   | 25.2   | 24.0   | 24.5   | 24.3   |
|                 |            | 243           | 0         | 25.7                    | 26.1   | 25.7   | 23.2   | 23.3   | 23.2   | 25.2   | 25.3   | 25.2   | 24.1   | 24.4   | 24.3   |
|                 | 256QAM     | 1             | 0         | 23.4                    | 23.3   | 23.6   | 21.1   | 21.2   | 21.5   | 22.8   | 23.0   | 22.6   | 21.4   | 21.6   | 22.2   |
|                 |            | 1             | 1         | 23.5                    | 23.7   | 23.7   | 21.2   | 21.3   | 21.5   | 22.9   | 23.0   | 22.7   | 21.6   | 21.7   | 22.2   |
|                 |            | 1             | 243       | 23.9                    | 23.6   | 23.4   | 21.2   | 21.3   | 21.5   | 23.0   | 22.8   | 22.7   | 22.3   | 22.4   | 22.3   |
|                 |            | 1             | 244       | 23.8                    | 23.3   | 23.3   | 21.0   | 21.2   | 21.6   | 22.9   | 22.7   | 22.6   | 22.2   | 22.0   | 21.5   |
|                 |            | 120           | 60        | 23.3                    | 23.5   | 23.4   | 21.2   | 21.2   | 21.0   | 22.6   | 22.7   | 22.7   | 21.6   | 21.9   | 22.0   |
|                 |            | 243           | 0         | 23.3                    | 23.7   | 23.4   | 21.2   | 21.3   | 21.1   | 22.7   | 22.7   | 22.7   | 21.6   | 22.0   | 22.0   |

### OUTPUT POWER FOR 5G NR n77 (100.0 MHz)

| Bandwidth (MHz) | Modulation | RB Allocation | RB Offset | Conducted Average (dBm) |        |        |        |        |        |        |        |        |        |        |        |
|-----------------|------------|---------------|-----------|-------------------------|--------|--------|--------|--------|--------|--------|--------|--------|--------|--------|--------|
|                 |            |               |           | ANT 6                   |        |        | ANT 7  |        |        | ANT 1  |        |        | ANT 5  |        |        |
|                 |            |               |           | 650000                  | 656000 | 662000 | 650000 | 656000 | 662000 | 650000 | 656000 | 662000 | 650000 | 656000 | 662000 |
| 100.0           | BPSK       | 1             | 0         | 23.7                    | 24.0   | 24.1   | 22.2   | 22.1   | 22.2   | 23.2   | 23.4   | 23.1   | 21.9   | 22.4   | 22.4   |
|                 |            | 1             | 1         | 25.8                    | 26.1   | 26.4   | 25.9   | 25.9   | 25.9   | 25.5   | 25.6   | 25.3   | 24.1   | 24.5   | 24.6   |
|                 |            | 1             | 271       | 26.2                    | 26.4   | 26.0   | 25.9   | 25.8   | 26.0   | 25.8   | 25.3   | 25.3   | 24.7   | 24.8   | 24.3   |
|                 |            | 1             | 272       | 24.1                    | 24.2   | 23.8   | 22.3   | 22.3   | 22.3   | 23.6   | 23.1   | 23.1   | 22.5   | 22.6   | 22.2   |
|                 |            | 135           | 67        | 25.8                    | 26.1   | 25.8   | 25.7   | 25.8   | 25.6   | 25.2   | 25.2   | 25.1   | 24.2   | 24.5   | 24.5   |
|                 |            | 270           | 0         | 25.9                    | 26.2   | 26.0   | 25.3   | 25.3   | 25.2   | 25.3   | 25.3   | 25.2   | 24.2   | 24.6   | 24.5   |
|                 | QPSK       | 1             | 0         | 23.1                    | 23.4   | 23.6   | 22.1   | 22.1   | 22.3   | 22.8   | 22.9   | 22.6   | 21.3   | 21.7   | 21.7   |
|                 |            | 1             | 1         | 25.9                    | 26.2   | 26.3   | 25.9   | 25.8   | 25.9   | 25.3   | 25.6   | 25.3   | 24.0   | 24.5   | 24.5   |
|                 |            | 1             | 271       | 26.3                    | 26.3   | 26.0   | 25.9   | 25.9   | 26.0   | 25.8   | 25.3   | 25.3   | 24.6   | 24.7   | 24.2   |
|                 |            | 1             | 272       | 23.5                    | 23.6   | 23.2   | 22.3   | 22.2   | 22.3   | 23.1   | 22.6   | 22.6   | 21.9   | 22.0   | 21.5   |
|                 |            | 135           | 67        | 25.8                    | 26.1   | 25.9   | 25.6   | 25.7   | 25.6   | 25.2   | 25.2   | 25.1   | 24.2   | 24.5   | 24.5   |
|                 |            | 270           | 0         | 25.8                    | 26.1   | 25.9   | 24.8   | 24.8   | 24.8   | 25.2   | 25.3   | 25.2   | 24.2   | 24.6   | 24.5   |
|                 | 16QAM      | 1             | 0         | 23.2                    | 23.6   | 23.8   | 22.3   | 22.4   | 22.2   | 22.8   | 22.8   | 22.6   | 21.1   | 21.7   | 21.8   |
|                 |            | 1             | 1         | 25.8                    | 26.2   | 26.2   | 25.0   | 25.1   | 24.9   | 25.5   | 25.5   | 25.3   | 23.9   | 24.7   | 24.7   |
|                 |            | 1             | 271       | 26.3                    | 26.6   | 25.7   | 24.9   | 25.2   | 25.0   | 25.9   | 25.5   | 25.3   | 24.5   | 24.7   | 24.1   |
|                 |            | 1             | 272       | 23.4                    | 23.3   | 22.9   | 22.3   | 22.5   | 22.4   | 23.2   | 22.8   | 22.6   | 21.7   | 21.9   | 21.5   |
|                 |            | 135           | 67        | 25.8                    | 26.0   | 25.9   | 24.6   | 24.6   | 24.6   | 25.2   | 25.2   | 25.1   | 24.1   | 24.5   | 24.5   |
|                 |            | 270           | 0         | 25.8                    | 26.0   | 26.0   | 23.7   | 23.8   | 23.7   | 25.3   | 25.3   | 25.2   | 24.3   | 24.6   | 24.5   |
|                 | 64QAM      | 1             | 0         | 23.2                    | 23.4   | 23.4   | 22.4   | 22.1   | 22.1   | 22.7   | 22.9   | 22.8   | 21.5   | 21.4   | 21.8   |
|                 |            | 1             | 1         | 25.5                    | 26.1   | 26.3   | 23.4   | 23.3   | 23.2   | 25.4   | 25.6   | 25.5   | 24.2   | 24.3   | 24.7   |
|                 |            | 1             | 271       | 26.0                    | 26.6   | 25.8   | 23.4   | 23.3   | 23.4   | 25.7   | 25.3   | 25.4   | 24.7   | 24.6   | 24.1   |
|                 |            | 1             | 272       | 23.6                    | 23.5   | 23.2   | 22.3   | 22.0   | 22.2   | 22.9   | 22.6   | 22.8   | 22.3   | 21.7   | 21.5   |
|                 |            | 135           | 67        | 25.8                    | 26.1   | 25.8   | 23.1   | 23.2   | 23.1   | 25.2   | 25.2   | 25.2   | 24.2   | 24.5   | 24.5   |
|                 |            | 270           | 0         | 25.8                    | 26.1   | 25.8   | 23.2   | 23.2   | 23.2   | 25.3   | 25.3   | 25.2   | 24.3   | 24.5   | 24.5   |
|                 | 256QAM     | 1             | 0         | 23.2                    | 23.7   | 23.5   | 21.2   | 21.4   | 21.2   | 22.8   | 22.9   | 22.6   | 21.7   | 21.7   | 21.9   |
|                 |            | 1             | 1         | 23.6                    | 23.6   | 23.7   | 21.5   | 21.5   | 21.3   | 22.8   | 23.1   | 22.9   | 21.8   | 21.7   | 22.1   |
|                 |            | 1             | 271       | 23.6                    | 24.0   | 23.4   | 21.4   | 21.2   | 21.7   | 23.2   | 22.8   | 22.9   | 22.4   | 22.1   | 21.6   |
|                 |            | 1             | 272       | 23.9                    | 23.8   | 23.2   | 21.4   | 21.4   | 21.1   | 23.2   | 22.6   | 22.8   | 22.2   | 22.2   | 21.4   |
|                 |            | 135           | 67        | 23.3                    | 23.5   | 23.3   | 21.2   | 21.3   | 21.0   | 22.7   | 22.8   | 22.6   | 21.8   | 21.9   | 22.0   |
|                 |            | 270           | 0         | 23.4                    | 23.5   | 23.3   | 21.2   | 21.3   | 21.2   | 22.8   | 22.8   | 22.7   | 21.7   | 22.1   | 22.0   |



## 9. CONDUCTED TEST RESULTS

### 9.1. OCCUPIED BANDWIDTH

#### RULE PART(S)

FCC: §2.1049

#### LIMITS

For reporting purposes only.

#### TEST PROCEDURE

The transmitter output was connected to a calibrated coaxial cable and coupler, the other end of which was connected to a spectrum analyzer. The occupied bandwidth was measured with the spectrum analyzer at the middle channel in each band. The 99% and -26dB bandwidths was also measured and recorded.

#### RESULTS

There is no limit required and power is the same for low, middle and high channel; therefore, only middle channel was tested except 5G NR n70 where mix of middle/high channels are used. Worst-case plots (highest bandwidth) are reported only.

**LTE BAND 5**

| Band       | Mode          | RB Allocation/RB Offset | f(MHz) | 99% BW (MHz) | -26dB BW (MHz) |
|------------|---------------|-------------------------|--------|--------------|----------------|
| LTE BAND 5 | 1.4MHz, QPSK  | 6/0                     | 836.5  | 1.088        | 1.31           |
|            | 1.4MHz, 16QAM |                         |        | 1.078        | 1.31           |
|            | 3MHz, QPSK    | 15/0                    |        | 2.699        | 3.05           |
|            | 3MHz, 16QAM   |                         |        | 2.706        | 3.09           |
|            | 5MHz, QPSK    | 25/0                    |        | 4.503        | 5.23           |
|            | 5MHz, 16QAM   |                         |        | 4.511        | 5.27           |
|            | 10MHz, QPSK   | 50/0                    |        | 9.016        | 10.20          |
|            | 10MHz, 16QAM  |                         |        | 8.993        | 10.14          |
|            | 10MHz, QPSK   | 1/0                     |        | 0.244        | 0.39           |

**5G NR n5**

| Band     | Mode         | RB Allocation/RB Offset | f(MHz) | 99% BW (MHz) | -26dB BW (MHz) |
|----------|--------------|-------------------------|--------|--------------|----------------|
| 5G NR n5 | 5MHz, BPSK   | 25/0                    | 836.5  | 4.514        | 5.34           |
|          | 5MHz, QPSK   |                         |        | 4.489        | 5.23           |
|          | 5MHz, 16QAM  |                         |        | 4.488        | 5.25           |
|          | 10MHz, BPSK  | 50/0                    |        | 8.968        | 9.86           |
|          | 10MHz, QPSK  |                         |        | 8.968        | 9.92           |
|          | 10MHz, 16QAM |                         |        | 8.970        | 9.80           |
|          | 15MHz, BPSK  | 75/0                    |        | 13.424       | 14.49          |
|          | 15MHz, QPSK  |                         |        | 13.421       | 14.51          |
|          | 15MHz, 16QAM |                         |        | 13.427       | 14.54          |
|          | 20MHz, BPSK  | 100/0                   |        | 17.892       | 19.09          |
|          | 20MHz, QPSK  |                         |        | 17.871       | 19.31          |
|          | 20MHz, 16QAM |                         |        | 17.812       | 19.10          |
|          | 20MHz, BPSK  | 1/0                     |        | 0.239        | 0.38           |

**LTE BAND 7**

| Band       | Mode         | RB Allocation/RB Offset | f(MHz) | 99% BW (MHz) | -26dB BW (MHz) |
|------------|--------------|-------------------------|--------|--------------|----------------|
| LTE BAND 7 | 5MHz, QPSK   | 25/0                    | 2535.0 | 4.515        | 5.40           |
|            | 5MHz, 16QAM  |                         |        | 4.507        | 5.28           |
|            | 10MHz, QPSK  | 50/0                    |        | 9.009        | 10.45          |
|            | 10MHz, 16QAM |                         |        | 9.003        | 10.39          |
|            | 15MHz, QPSK  | 75/0                    |        | 13.472       | 15.25          |
|            | 15MHz, 16QAM |                         |        | 13.472       | 15.05          |
|            | 20MHz, QPSK  | 100/0                   |        | 17.945       | 20.02          |
|            | 20MHz, 16QAM |                         |        | 17.935       | 19.82          |
|            | 20MHz, QPSK  | 1/0                     |        | 0.274        | 0.48           |

**5G NR n7**

| Band         | Mode         | RB Allocation/RB Offset | f(MHz) | 99% BW (MHz) | -26dB BW (MHz) |
|--------------|--------------|-------------------------|--------|--------------|----------------|
| 5G NR n7     | 5MHz, BPSK   | 25/0                    | 2535.0 | 4.493        | 5.28           |
|              | 5MHz, QPSK   |                         |        | 4.501        | 5.26           |
|              | 5MHz, 16QAM  |                         |        | 4.527        | 5.29           |
|              | 10MHz, BPSK  | 50/0                    |        | 8.995        | 10.07          |
|              | 10MHz, QPSK  |                         |        | 9.991        | 9.84           |
|              | 10MHz, 16QAM |                         |        | 9.014        | 9.85           |
|              | 15MHz, BPSK  | 75/0                    |        | 13.466       | 14.47          |
|              | 15MHz, QPSK  |                         |        | 13.471       | 14.59          |
|              | 15MHz, 16QAM |                         |        | 13.491       | 14.85          |
|              | 20MHz, BPSK  | 100/0                   |        | 17.961       | 19.02          |
|              | 20MHz, QPSK  |                         |        | 17.934       | 19.14          |
|              | 20MHz, 16QAM |                         |        | 17.937       | 19.08          |
|              | 25MHz, BPSK  | 128/0                   |        | 22.971       | 25.08          |
|              | 25MHz, QPSK  |                         |        | 22.998       | 24.70          |
|              | 25MHz, 16QAM |                         |        | 23.005       | 24.86          |
|              | 30MHz, BPSK  | 160/0                   |        | 28.679       | 32.18          |
|              | 30MHz, QPSK  |                         |        | 28.572       | 31.99          |
|              | 30MHz, 16QAM |                         |        | 28.708       | 31.96          |
|              | 40MHz, BPSK  | 216/0                   |        | 38.664       | 42.16          |
|              | 40MHz, QPSK  |                         |        | 38.675       | 42.40          |
| 40MHz, 16QAM | 38.873       |                         | 42.77  |              |                |
| 50MHz, BPSK  | 270/0        | 48.199                  | 52.18  |              |                |
| 50MHz, QPSK  |              | 48.205                  | 51.86  |              |                |
| 50MHz, 16QAM |              | 48.108                  | 51.57  |              |                |
| 50MHz, BPSK  | 1/0          | 0.29862                 | 0.5383 |              |                |

**LTE BAND 12**

| Band        | Mode          | RB Allocation/RB Offset | f(MHz) | 99% BW (MHz) | -26dB BW (MHz) |
|-------------|---------------|-------------------------|--------|--------------|----------------|
| LTE BAND 12 | 1.4MHz, QPSK  | 6/0                     | 707.5  | 1.086        | 1.28           |
|             | 1.4MHz, 16QAM |                         |        | 1.092        | 1.34           |
|             | 3MHz, QPSK    | 15/0                    |        | 2.697        | 3.06           |
|             | 3MHz, 16QAM   |                         |        | 2.705        | 3.09           |
|             | 5MHz, QPSK    | 25/0                    |        | 4.508        | 5.28           |
|             | 5MHz, 16QAM   |                         |        | 4.516        | 5.29           |
|             | 10MHz, QPSK   | 50/0                    |        | 8.988        | 10.35          |
|             | 10MHz, 16QAM  |                         |        | 8.995        | 10.29          |
|             | 10MHz, QPSK   | 1/0                     |        | 0.247        | 0.41           |

**5G NR n12**

| Band        | Mode         | RB Allocation/RB Offset | f(MHz) | 99% BW (MHz) | -26dB BW (MHz) |
|-------------|--------------|-------------------------|--------|--------------|----------------|
| 5G NR n12   | 5MHz, BPSK   | 25/0                    | 707.5  | 4.497        | 5.19           |
|             | 5MHz, QPSK   |                         |        | 4.493        | 5.31           |
|             | 5MHz, 16QAM  |                         |        | 4.503        | 5.35           |
|             | 10MHz, BPSK  | 50/0                    |        | 8.969        | 9.88           |
|             | 10MHz, QPSK  |                         |        | 8.964        | 9.98           |
|             | 10MHz, 16QAM |                         |        | 8.959        | 9.94           |
|             | 15MHz, BPSK  | 75/0                    |        | 13.475       | 14.64          |
|             | 15MHz, QPSK  |                         |        | 13.413       | 14.45          |
|             | 15MHz, 16QAM |                         |        | 13.437       | 14.45          |
| 15MHz, BPSK | 1/0          | 0.250                   | 0.39   |              |                |

**LTE BAND 13**

| Band        | Mode         | RB Allocation/RB Offset | f(MHz) | 99% BW (MHz) | -26dB BW (MHz) |
|-------------|--------------|-------------------------|--------|--------------|----------------|
| LTE BAND 13 | 5MHz, QPSK   | 25/0                    | 782.0  | 4.511        | 5.26           |
|             | 5MHz, 16QAM  |                         |        | 4.508        | 5.23           |
|             | 10MHz, QPSK  | 50/0                    |        | 8.987        | 10.36          |
|             | 10MHz, 16QAM |                         |        | 8.980        | 10.33          |
|             | 10MHz, QPSK  | 1/0                     |        | 0.241        | 0.39           |

**LTE BAND 14**

| Band        | Mode         | RB Allocation/RB Offset | f(MHz) | 99% BW (MHz) | -26dB BW (MHz) |
|-------------|--------------|-------------------------|--------|--------------|----------------|
| LTE BAND 14 | 5MHz, QPSK   | 25/0                    | 793.0  | 4.492        | 5.190          |
|             | 5MHz, 16QAM  |                         |        | 4.508        | 5.234          |
|             | 10MHz, QPSK  | 50/0                    |        | 9.011        | 10.34          |
|             | 10MHz, 16QAM |                         |        | 8.891        | 10.33          |
|             | 10MHz, QPSK  | 1/0                     |        | 0.242        | 0.45           |

**5G NR n14**

| Band      | Mode         | RB Allocation/RB Offset | f(MHz) | 99% BW (MHz) | -26dB BW (MHz) |
|-----------|--------------|-------------------------|--------|--------------|----------------|
| 5G NR n14 | 5MHz, BPSK   | 25/0                    | 793.0  | 4.5046       | 5.232          |
|           | 5MHz, QPSK   |                         |        | 4.4989       | 5.297          |
|           | 5MHz, 16QAM  |                         |        | 4.4961       | 5.282          |
|           | 10MHz, BPSK  | 50/0                    |        | 8.9663       | 9.886          |
|           | 10MHz, QPSK  |                         |        | 8.9703       | 9.859          |
|           | 10MHz, 16QAM |                         |        | 8.9873       | 9.873          |
|           | 10MHz, BPSK  | 1/0                     |        | 0.22247      | 0.3289         |

**LTE BAND 17**

| Band        | Mode         | RB Allocation/RB Offset | f(MHz) | 99% BW (MHz) | -26dB BW (MHz) |
|-------------|--------------|-------------------------|--------|--------------|----------------|
| LTE BAND 17 | 5MHz, QPSK   | 25/0                    | 710.0  | 4.509        | 5.19           |
|             | 5MHz, 16QAM  |                         |        | 4.514        | 5.25           |
|             | 10MHz, QPSK  | 50/0                    |        | 8.988        | 10.32          |
|             | 10MHz, 16QAM |                         |        | 8.990        | 10.35          |
|             | 10MHz, QPSK  | 1/0                     |        | 0.237        | 0.41           |

**LTE BAND 25**

| Band        | Mode          | RB Allocation/RB Offset | f(MHz) | 99% BW (MHz) | -26dB BW (MHz) |
|-------------|---------------|-------------------------|--------|--------------|----------------|
| LTE BAND 25 | 1.4MHz, QPSK  | 6/0                     | 1882.5 | 1.091        | 1.31           |
|             | 1.4MHz, 16QAM |                         |        | 1.089        | 1.28           |
|             | 3MHz, QPSK    | 15/0                    |        | 2.707        | 3.12           |
|             | 3MHz, 16QAM   |                         |        | 2.706        | 3.10           |
|             | 5MHz, QPSK    | 25/0                    |        | 4.515        | 5.32           |
|             | 5MHz, 16QAM   |                         |        | 4.506        | 5.25           |
|             | 10MHz, QPSK   | 50/0                    |        | 9.007        | 10.38          |
|             | 10MHz, 16QAM  |                         |        | 8.994        | 10.42          |
|             | 15MHz, QPSK   | 75/0                    |        | 13.457       | 15.19          |
|             | 15MHz, 16QAM  |                         |        | 13.470       | 15.25          |
|             | 20MHz, QPSK   | 100/0                   |        | 17.914       | 19.72          |
|             | 20MHz, 16QAM  |                         |        | 17.919       | 19.88          |
|             | 20MHz, QPSK   | 1/0                     |        | 0.269        | 0.42           |

**5G NR n25**

| Band         | Mode         | RB Allocation/RB Offset | f(MHz) | 99% BW (MHz) | -26dB BW (MHz) |
|--------------|--------------|-------------------------|--------|--------------|----------------|
| 5G NR n25    | 5MHz, BPSK   | 25/0                    | 1882.5 | 4.510        | 5.31           |
|              | 5MHz, QPSK   |                         |        | 4.501        | 5.24           |
|              | 5MHz, 16QAM  |                         |        | 4.498        | 5.24           |
|              | 10MHz, BPSK  | 50/0                    |        | 8.972        | 9.85           |
|              | 10MHz, QPSK  |                         |        | 9.009        | 10.06          |
|              | 10MHz, 16QAM |                         |        | 9.096        | 9.73           |
|              | 15MHz, BPSK  | 75/0                    |        | 13.442       | 14.52          |
|              | 15MHz, QPSK  |                         |        | 13.434       | 14.64          |
|              | 15MHz, 16QAM |                         |        | 13.462       | 14.65          |
|              | 20MHz, BPSK  | 100/0                   |        | 17.905       | 19.08          |
|              | 20MHz, QPSK  |                         |        | 17.939       | 19.21          |
|              | 20MHz, 16QAM |                         |        | 17.894       | 19.21          |
|              | 25MHz, BPSK  | 128/0                   |        | 23.008       | 25.06          |
|              | 25MHz, QPSK  |                         |        | 22.869       | 24.72          |
|              | 25MHz, 16QAM |                         |        | 22.919       | 25.12          |
|              | 30MHz, BPSK  | 160/0                   |        | 28.759       | 31.88          |
|              | 30MHz, QPSK  |                         |        | 28.634       | 31.93          |
|              | 30MHz, 16QAM |                         |        | 28.700       | 32.10          |
|              | 35MHz, BPSK  | 180/0                   |        | 32.312       | 35.80          |
|              | 35MHz, QPSK  |                         |        | 32.207       | 35.74          |
| 35MHz, 16QAM | 32.157       |                         | 35.66  |              |                |
| 40MHz, BPSK  | 216/0        | 38.745                  | 42.56  |              |                |
| 40MHz, QPSK  |              | 38.734                  | 42.32  |              |                |
| 40MHz, 16QAM |              | 38.721                  | 42.75  |              |                |
| 40MHz, BPSK  | 1/0          | 0.262                   | 0.47   |              |                |

**LTE BAND 26(FCC PART 90S)**

| Band        | Mode          | RB Allocation/RB Offset | f(MHz) | 99% BW (MHz) | -26dB BW (MHz) |
|-------------|---------------|-------------------------|--------|--------------|----------------|
| LTE BAND 26 | 1.4MHz, QPSK  | 6/0                     | 819.0  | 1.087        | 1.29           |
|             | 1.4MHz, 16QAM |                         |        | 1.093        | 1.30           |
|             | 3MHz, QPSK    | 15/0                    |        | 2.698        | 3.10           |
|             | 3MHz, 16QAM   |                         |        | 2.702        | 3.09           |
|             | 5MHz, QPSK    | 25/0                    |        | 4.512        | 5.18           |
|             | 5MHz, 16QAM   |                         |        | 4.507        | 5.27           |
|             | 10MHz, QPSK   | 50/0                    |        | 8.999        | 10.46          |
|             | 10MHz, 16QAM  |                         |        | 8.974        | 10.22          |
|             | 10MHz, QPSK   | 1/0                     |        | 0.245        | 0.41           |

**5G NR n26 (FCC PART 90S)**

| Band                        | Mode         | RB Allocation/RB Offset | f(MHz) | 99% BW (MHz) | -26dB BW (MHz) |
|-----------------------------|--------------|-------------------------|--------|--------------|----------------|
| 5G NR n26<br>(FCC Part 90S) | 5MHz, BPSK   | 25/0                    | 819.0  | 4.496        | 5.21           |
|                             | 5MHz, QPSK   |                         |        | 4.493        | 5.16           |
|                             | 5MHz, 16QAM  |                         |        | 4.517        | 5.21           |
|                             | 10MHz, BPSK  | 50/0                    |        | 8.963        | 9.86           |
|                             | 10MHz, QPSK  |                         |        | 8.978        | 9.99           |
|                             | 10MHz, 16QAM |                         |        | 8.959        | 9.95           |
|                             | 10MHz, BPSK  | 1/0                     |        | 0.227        | 0.37           |

**LTE BAND 26 (FCC PART 22)**

| Band        | Mode          | RB Allocation/RB Offset | f(MHz) | 99% BW (MHz) | -26dB BW (MHz) |
|-------------|---------------|-------------------------|--------|--------------|----------------|
| LTE BAND 26 | 1.4MHz, QPSK  | 6/0                     | 836.5  | 1.091        | 1.31           |
|             | 1.4MHz, 16QAM |                         |        | 1.091        | 1.30           |
|             | 3MHz, QPSK    | 15/0                    |        | 2.710        | 3.07           |
|             | 3MHz, 16QAM   |                         |        | 2.703        | 3.09           |
|             | 5MHz, QPSK    | 25/0                    |        | 4.502        | 5.32           |
|             | 5MHz, 16QAM   |                         |        | 4.498        | 5.26           |
|             | 10MHz, QPSK   | 50/0                    |        | 9.009        | 10.39          |
|             | 10MHz, 16QAM  |                         |        | 8.994        | 10.14          |
|             | 15MHz, QPSK   | 75/0                    |        | 13.444       | 15.19          |
|             | 15MHz, 16QAM  |                         |        | 13.385       | 14.87          |
| 15MHz, QPSK | 1/0           | 0.269                   | 0.45   |              |                |

**5G NR n26 (FCC PART 22)**

| Band        | Mode         | RB Allocation/RB Offset | f(MHz) | 99% BW (MHz) | -26dB BW (MHz) |
|-------------|--------------|-------------------------|--------|--------------|----------------|
| 5G NR n26   | 5MHz, BPSK   | 25/0                    | 836.5  | 4.491        | 5.25           |
|             | 5MHz, QPSK   |                         |        | 4.510        | 5.27           |
|             | 5MHz, 16QAM  |                         |        | 4.498        | 5.31           |
|             | 10MHz, BPSK  | 50/0                    |        | 8.966        | 9.81           |
|             | 10MHz, QPSK  |                         |        | 8.965        | 9.87           |
|             | 10MHz, 16QAM |                         |        | 8.987        | 9.85           |
|             | 15MHz, BPSK  | 75/0                    |        | 13.414       | 14.50          |
|             | 15MHz, QPSK  |                         |        | 13.385       | 14.52          |
|             | 15MHz, 16QAM |                         |        | 13.410       | 14.57          |
|             | 20MHz, BPSK  | 100/0                   |        | 17.862       | 19.12          |
|             | 20MHz, QPSK  |                         |        | 17.879       | 19.11          |
|             | 20MHz, 16QAM |                         |        | 17.884       | 19.24          |
| 20MHz, BPSK | 1/0          | 0.239                   | 0.37   |              |                |

**LTE BAND 30**

| Band        | Mode         | RB Allocation/RB Offset | f(MHz) | 99% BW (MHz) | -26dB BW (MHz) |
|-------------|--------------|-------------------------|--------|--------------|----------------|
| LTE BAND 30 | 5MHz, QPSK   | 25/0                    | 2310.0 | 4.505        | 5.27           |
|             | 5MHz, 16QAM  |                         |        | 4.512        | 5.21           |
|             | 10MHz, QPSK  | 50/0                    |        | 9.003        | 10.38          |
|             | 10MHz, 16QAM |                         |        | 9.000        | 10.41          |
|             | 10MHz, QPSK  | 1/0                     |        | 0.244        | 0.42           |

**5G NR n30**

| Band      | Mode         | RB Allocation/RB Offset | f(MHz) | 99% BW (MHz) | -26dB BW (MHz) |
|-----------|--------------|-------------------------|--------|--------------|----------------|
| 5G NR n30 | 5MHz, BPSK   | 25/0                    | 2310.0 | 4.513        | 5.39           |
|           | 5MHz, QPSK   |                         |        | 4.508        | 5.37           |
|           | 5MHz, 16QAM  |                         |        | 4.495        | 5.18           |
|           | 10MHz, BPSK  | 50/0                    |        | 8.978        | 10.03          |
|           | 10MHz, QPSK  |                         |        | 8.977        | 9.972          |
|           | 10MHz, 16QAM |                         |        | 8.999        | 10.01          |
|           | 10MHz, BPSK  |                         |        | 1/0          | 0.233          |

**LTE BAND 41 HPU E**

| Band        | Mode         | RB Allocation/RB Offset | f(MHz) | 99% BW (MHz) | -26dB BW (MHz) |
|-------------|--------------|-------------------------|--------|--------------|----------------|
| LTE BAND 41 | 5MHz, QPSK   | 25/0                    | 2593.0 | 4.507        | 5.22           |
|             | 5MHz, 16QAM  |                         |        | 4.490        | 5.30           |
|             | 10MHz, QPSK  | 50/0                    |        | 8.987        | 10.13          |
|             | 10MHz, 16QAM |                         |        | 8.987        | 10.23          |
|             | 15MHz, QPSK  | 75/0                    |        | 13.430       | 15.13          |
|             | 15MHz, 16QAM |                         |        | 13.459       | 14.98          |
|             | 20MHz, QPSK  | 100/0                   |        | 17.902       | 19.68          |
|             | 20MHz, 16QAM |                         |        | 17.881       | 19.61          |
|             | 20MHz, QPSK  |                         |        | 1/0          | 0.291          |



**5G NR n41 HPUE**

| Band            | Mode         | RB Allocation/RB Offset | f(MHz) | 99% BW (MHz) | -26dB BW (MHz) |
|-----------------|--------------|-------------------------|--------|--------------|----------------|
| 5G NR n41 (FCC) | 10MHz, BPSK  | 24/0                    | 2593.0 | 8.653        | 9.99           |
|                 | 10MHz, QPSK  |                         |        | 8.687        | 10.11          |
|                 | 10MHz, 16QAM |                         |        | 8.665        | 10.20          |
|                 | 15MHz, BPSK  | 36/0                    |        | 12.940       | 14.73          |
|                 | 15MHz, QPSK  |                         |        | 12.891       | 14.51          |
|                 | 15MHz, 16QAM |                         |        | 12.908       | 14.32          |
|                 | 20MHz, BPSK  | 50/0                    |        | 17.938       | 19.77          |
|                 | 20MHz, QPSK  |                         |        | 17.884       | 19.32          |
|                 | 20MHz, 16QAM |                         |        | 17.879       | 19.62          |
|                 | 25MHz, BPSK  | 62/0                    |        | 22.983       | 22.96          |
|                 | 25MHz, QPSK  |                         |        | 22.945       | 25.26          |
|                 | 25MHz, 16QAM |                         |        | 22.986       | 25.17          |
|                 | 30MHz, BPSK  | 75/0                    |        | 26.957       | 29.17          |
|                 | 30MHz, QPSK  |                         |        | 26.934       | 29.16          |
|                 | 30MHz, 16QAM |                         |        | 26.871       | 29.02          |
|                 | 40MHz, BPSK  | 100/0                   |        | 35.783       | 38.31          |
|                 | 40MHz, QPSK  |                         |        | 35.872       | 38.25          |
|                 | 40MHz, 16QAM |                         |        | 35.739       | 38.10          |
|                 | 50MHz, BPSK  | 128/0                   |        | 45.677       | 49.99          |
|                 | 50MHz, QPSK  |                         |        | 45.725       | 49.80          |
|                 | 50MHz, 16QAM |                         |        | 45.680       | 49.69          |
|                 | 60MHz, BPSK  | 162/0                   |        | 57.897       | 64.99          |
|                 | 60MHz, QPSK  |                         |        | 57.987       | 63.88          |
|                 | 60MHz, 16QAM |                         |        | 57.876       | 63.83          |
|                 | 70MHz, BPSK  | 180/0                   |        | 64.499       | 71.20          |
|                 | 70MHz, QPSK  |                         |        | 64.557       | 71.98          |
|                 | 70MHz, 16QAM |                         |        | 64.606       | 71.17          |
|                 | 80MHz, BPSK  | 216/0                   |        | 77.336       | 83.56          |
|                 | 80MHz, QPSK  |                         |        | 77.362       | 85.08          |
|                 | 80MHz, 16QAM |                         |        | 77.325       | 84.24          |
| 90MHz, BPSK     | 243/0        | 86.814                  | 93.99  |              |                |
| 90MHz, QPSK     |              | 86.885                  | 93.68  |              |                |
| 90MHz, 16QAM    |              | 86.886                  | 95.91  |              |                |
| 100MHz, BPSK    | 270/0        | 96.493                  | 104.0  |              |                |
| 100MHz, QPSK    |              | 96.461                  | 103.5  |              |                |
| 100MHz, 16QAM   |              | 96.386                  | 104.4  |              |                |
| 100MHz, BPSK    | 1/0          | 0.596                   | 0.93   |              |                |

**LTE BAND 48**

| Band        | Mode         | RB Allocation/RB Offset | f(MHz) | 99% BW (MHz) | -26dB BW (MHz) |
|-------------|--------------|-------------------------|--------|--------------|----------------|
| LTE BAND 48 | 5MHz, QPSK   | 25/0                    | 3625.0 | 4.502        | 5.16           |
|             | 5MHz, 16QAM  |                         |        | 4.480        | 5.22           |
|             | 10MHz, QPSK  | 50/0                    |        | 8.944        | 9.95           |
|             | 10MHz, 16QAM |                         |        | 9.004        | 10.26          |
|             | 15MHz, QPSK  | 75/0                    |        | 13.427       | 14.47          |
|             | 15MHz, 16QAM |                         |        | 13.396       | 14.58          |
|             | 20MHz, QPSK  | 100/0                   |        | 17.875       | 19.56          |
|             | 20MHz, 16QAM |                         |        | 17.866       | 19.09          |
|             | 20MHz, QPSK  | 1/0                     |        | 0.267        | 0.45           |

**5G NR n48**

| Band            | Mode         | RB Allocation/RB Offset | f(MHz) | 99% BW (MHz) | -26dB BW (MHz) |
|-----------------|--------------|-------------------------|--------|--------------|----------------|
| 5G NR n48 (FCC) | 10MHz, BPSK  | 24/0                    | 3625.0 | 8.620        | 9.57           |
|                 | 10MHz, QPSK  |                         |        | 8.636        | 10.26          |
|                 | 10MHz, 16QAM |                         |        | 8.570        | 9.58           |
|                 | 15MHz, BPSK  | 36/0                    |        | 12.891       | 14.40          |
|                 | 15MHz, QPSK  |                         |        | 12.854       | 14.02          |
|                 | 15MHz, 16QAM |                         |        | 12.907       | 14.01          |
|                 | 20MHz, BPSK  | 50/0                    |        | 17.874       | 19.54          |
|                 | 20MHz, QPSK  |                         |        | 17.792       | 19.56          |
|                 | 20MHz, 16QAM |                         |        | 17.872       | 19.30          |
|                 | 30MHz, BPSK  | 75/0                    |        | 26.804       | 28.43          |
|                 | 30MHz, QPSK  |                         |        | 26.915       | 28.08          |
|                 | 30MHz, 16QAM |                         |        | 26.917       | 28.16          |
|                 | 40MHz, BPSK  | 100/0                   |        | 35.756       | 37.49          |
|                 | 40MHz, QPSK  |                         |        | 35.764       | 37.79          |
| 40MHz, 16QAM    | 35.886       |                         | 38.42  |              |                |
| 40MHz, BPSK     | 1/0          | 0.479                   | 0.74   |              |                |

**LTE BAND 66**

| Band        | Mode          | RB Allocation/RB Offset | f(MHz) | 99% BW (MHz) | -26dB BW (MHz) |
|-------------|---------------|-------------------------|--------|--------------|----------------|
| LTE BAND 66 | 1.4MHz, QPSK  | 6/0                     | 1745.0 | 1.090        | 1.32           |
|             | 1.4MHz, 16QAM |                         |        | 1.091        | 1.31           |
|             | 3MHz, QPSK    | 15/0                    |        | 2.670        | 3.08           |
|             | 3MHz, 16QAM   |                         |        | 2.699        | 3.06           |
|             | 5MHz, QPSK    | 25/0                    |        | 4.505        | 5.35           |
|             | 5MHz, 16QAM   |                         |        | 4.515        | 5.30           |
|             | 10MHz, QPSK   | 50/0                    |        | 8.979        | 10.21          |
|             | 10MHz, 16QAM  |                         |        | 9.000        | 10.40          |
|             | 15MHz, QPSK   | 75/0                    |        | 13.458       | 15.17          |
|             | 15MHz, 16QAM  |                         |        | 13.475       | 15.18          |
|             | 20MHz, QPSK   | 100/0                   |        | 17.936       | 19.83          |
|             | 20MHz, 16QAM  |                         |        | 17.931       | 19.85          |
|             | 20MHz, QPSK   | 1/0                     |        | 0.262        | 0.45           |

**5G NR n66**

| Band         | Mode         | RB Allocation/RB Offset | f(MHz) | 99% BW (MHz) | -26dB BW (MHz) |
|--------------|--------------|-------------------------|--------|--------------|----------------|
| 5G NR n66    | 5MHz, BPSK   | 25/0                    | 1745.0 | 4.516        | 5.36           |
|              | 5MHz, QPSK   |                         |        | 4.499        | 5.30           |
|              | 5MHz, 16QAM  |                         |        | 4.516        | 5.33           |
|              | 10MHz, BPSK  | 50/0                    |        | 8.982        | 9.95           |
|              | 10MHz, QPSK  |                         |        | 8.975        | 9.94           |
|              | 10MHz, 16QAM |                         |        | 8.993        | 9.96           |
|              | 15MHz, BPSK  | 75/0                    |        | 13.444       | 14.59          |
|              | 15MHz, QPSK  |                         |        | 13.485       | 14.62          |
|              | 15MHz, 16QAM |                         |        | 13.443       | 14.44          |
|              | 20MHz, BPSK  | 100/0                   |        | 17.911       | 19.07          |
|              | 20MHz, QPSK  |                         |        | 17.968       | 19.21          |
|              | 20MHz, 16QAM |                         |        | 17.881       | 19.21          |
|              | 25MHz, BPSK  | 128/0                   |        | 23.026       | 25.22          |
|              | 25MHz, QPSK  |                         |        | 22.993       | 25.01          |
|              | 25MHz, 16QAM |                         |        | 22.967       | 25.03          |
|              | 30MHz, BPSK  | 160/0                   |        | 28.751       | 31.71          |
|              | 30MHz, QPSK  |                         |        | 28.679       | 31.98          |
|              | 30MHz, 16QAM |                         |        | 28.701       | 32.04          |
| 40MHz, BPSK  | 216/0        | 38.731                  | 42.31  |              |                |
| 40MHz, QPSK  |              | 38.756                  | 42.23  |              |                |
| 40MHz, 16QAM |              | 38.814                  | 42.56  |              |                |
| 40MHz, BPSK  | 1/0          | 0.239                   | 0.47   |              |                |

**5G NR n70**

| Band      | Mode         | RB Allocation/RB Offset | f(MHz) | 99% BW (MHz) | -26dB BW (MHz) |
|-----------|--------------|-------------------------|--------|--------------|----------------|
| 5G NR n70 | 5MHz, BPSK   | 25/0                    | 1702.5 | 4.485        | 5.25           |
|           | 5MHz, QPSK   |                         |        | 4.479        | 5.20           |
|           | 5MHz, 16QAM  |                         |        | 4.485        | 5.16           |
|           | 10MHz, BPSK  | 50/0                    |        | 8.986        | 9.98           |
|           | 10MHz, QPSK  |                         |        | 8.961        | 9.97           |
|           | 10MHz, 16QAM |                         |        | 8.979        | 9.83           |
|           | 15MHz, BPSK  | 75/0                    |        | 13.423       | 14.60          |
|           | 15MHz, QPSK  |                         |        | 13.447       | 14.57          |
|           | 15MHz, 16QAM |                         |        | 13.411       | 14.50          |
|           | 15MHz, BPSK  | 1/0                     |        | 0.228        | 0.34           |

**LTE BAND 71**

| Band        | Mode         | RB Allocation/RB Offset | f(MHz) | 99% BW (MHz) | -26dB BW (MHz) |
|-------------|--------------|-------------------------|--------|--------------|----------------|
| LTE BAND 71 | 5MHz, QPSK   | 25/0                    | 680.5  | 4.514        | 5.28           |
|             | 5MHz, 16QAM  |                         |        | 4.509        | 5.27           |
|             | 10MHz, QPSK  | 50/0                    |        | 8.999        | 10.27          |
|             | 10MHz, 16QAM |                         |        | 9.004        | 10.29          |
|             | 15MHz, QPSK  | 75/0                    |        | 13.452       | 15.17          |
|             | 15MHz, 16QAM |                         |        | 13.419       | 15.16          |
|             | 20MHz, QPSK  | 100/0                   |        | 17.913       | 19.63          |
|             | 20MHz, 16QAM |                         |        | 17.912       | 19.82          |
|             | 20MHz, QPSK  | 1/0                     |        | 0.259        | 0.45           |

**5G NR n71**

| Band      | Mode         | RB Allocation/RB Offset | f(MHz) | 99% BW (MHz) | -26dB BW (MHz) |
|-----------|--------------|-------------------------|--------|--------------|----------------|
| 5G NR n71 | 5MHz, BPSK   | 25/0                    | 680.5  | 4.517        | 5.20           |
|           | 5MHz, QPSK   |                         |        | 4.516        | 5.23           |
|           | 5MHz, 16QAM  |                         |        | 4.489        | 5.26           |
|           | 10MHz, BPSK  | 50/0                    |        | 8.979        | 9.85           |
|           | 10MHz, QPSK  |                         |        | 8.996        | 9.87           |
|           | 10MHz, 16QAM |                         |        | 8.987        | 9.98           |
|           | 15MHz, BPSK  | 75/0                    |        | 13.434       | 14.63          |
|           | 15MHz, QPSK  |                         |        | 13.397       | 14.52          |
|           | 15MHz, 16QAM |                         |        | 13.435       | 14.52          |
|           | 20MHz, BPSK  | 100/0                   |        | 17.885       | 19.04          |
|           | 20MHz, QPSK  |                         |        | 17.954       | 19.18          |
|           | 20MHz, 16QAM |                         |        | 17.875       | 19.15          |
|           | 20MHz, BPSK  |                         |        | 1/0          | 0.238          |

**5G NR n77(FCC Part 27 3450-3550MHz)**

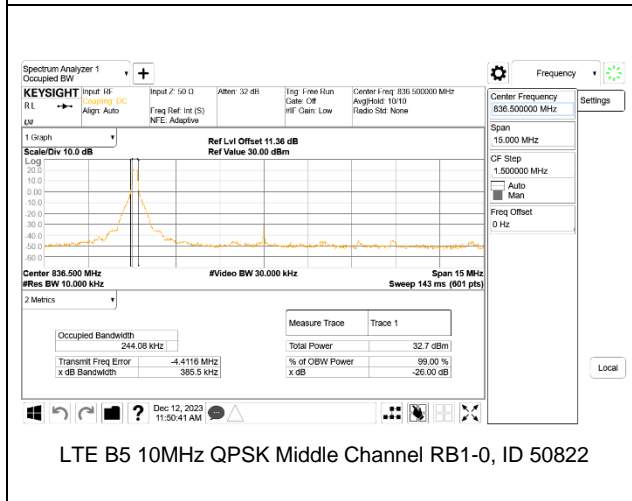
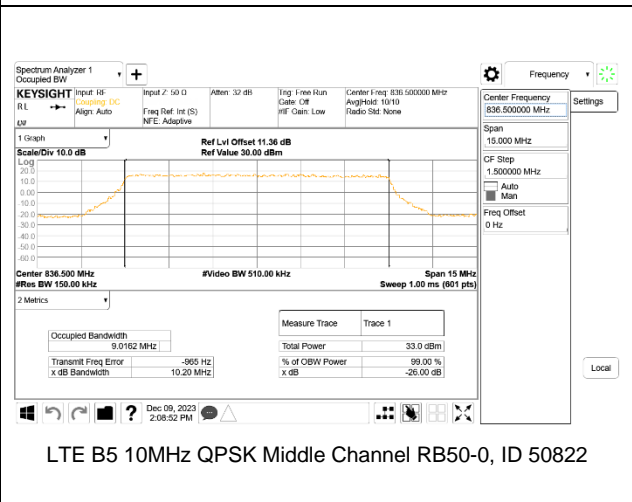
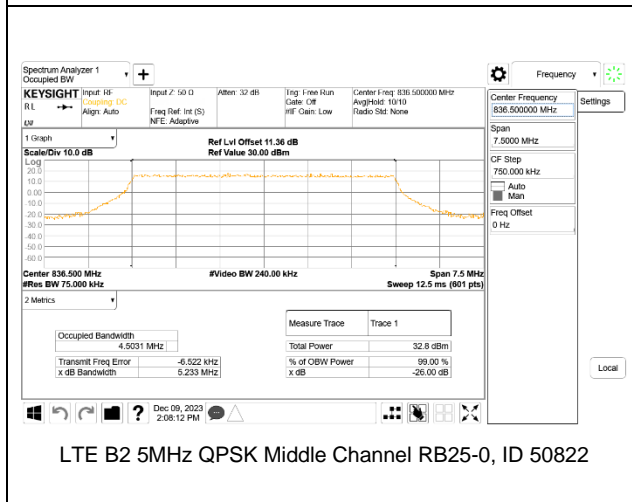
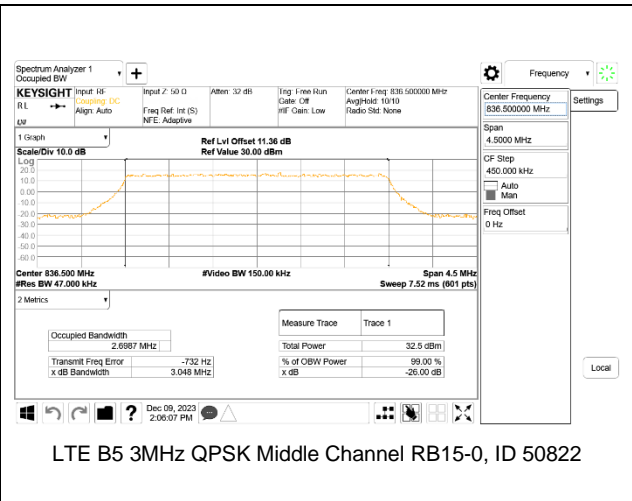
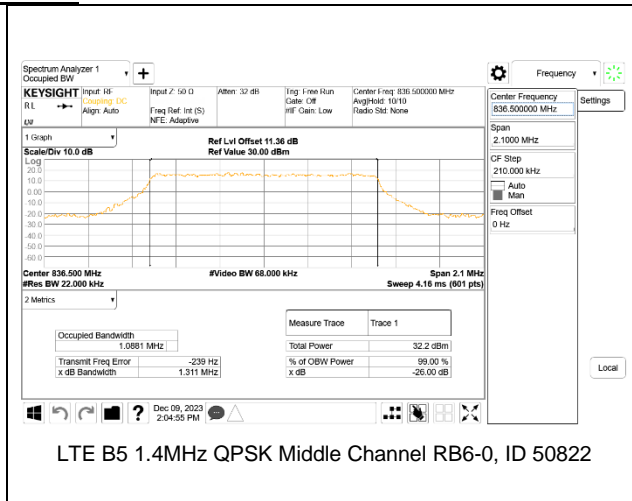
| Band   | Mode         | RB Allocation/RB Offset | f(MHz) | 99% BW (MHz) | -26dB BW (MHz) |
|--|--------------|-------------------------|--------|--------------|----------------|
| 5G NR n77<br>(FCC Part 27<br>3450-<br>3550MHz) | 10MHz, BPSK  | 24/0                    | 3500.0 | 8.620        | 9.98           |
|  | 10MHz, QPSK  |                         |        | 8.661        | 10.26          |
|  | 10MHz, 16QAM |                         |        | 8.624        | 9.86           |
|  | 15MHz, BPSK  | 36/0                    |        | 12.910       | 14.59          |
|  | 15MHz, QPSK  |                         |        | 12.916       | 14.35          |
|  | 15MHz, 16QAM |                         |        | 12.908       | 14.41          |
|  | 20MHz, BPSK  | 50/0                    |        | 17.927       | 19.70          |
|  | 20MHz, QPSK  |                         |        | 17.933       | 19.78          |
|  | 20MHz, 16QAM |                         |        | 17.901       | 19.62          |
|  | 25MHz, BPSK  | 64/0                    |        | 22.973       | 25.08          |
|  | 25MHz, QPSK  |                         |        | 22.950       | 25.27          |
|  | 25MHz, 16QAM |                         |        | 22.972       | 25.07          |
|  | 30MHz, BPSK  | 75/0                    |        | 26.865       | 29.01          |
|  | 30MHz, QPSK  |                         |        | 26.892       | 28.99          |
|  | 30MHz, 16QAM |                         |        | 26.934       | 28.93          |
|  | 40MHz, BPSK  | 100/0                   |        | 35.817       | 38.01          |
|  | 40MHz, QPSK  |                         |        | 35.871       | 38.45          |
|  | 40MHz, 16QAM |                         |        | 35.848       | 38.45          |
|  | 50MHz, BPSK  | 128/0                   |        | 45.824       | 50.34          |
|  | 50MHz, QPSK  |                         |        | 45.840       | 50.28          |
|  | 50MHz, 16QAM |                         |        | 45.811       | 49.86          |
|  | 60MHz, BPSK  | 162/0                   |        | 57.990       | 63.09          |
|  | 60MHz, QPSK  |                         |        | 58.115       | 66.01          |
|  | 60MHz, 16QAM |                         |        | 58.043       | 64.66          |
|  | 70MHz, BPSK  | 180/0                   |        | 64.661       | 71.06          |
|  | 70MHz, QPSK  |                         |        | 64.490       | 71.29          |
|  | 70MHz, 16QAM |                         |        | 64.275       | 69.64          |
|  | 80MHz, BPSK  | 216/0                   |        | 77.225       | 82.96          |
|  | 80MHz, QPSK  |                         |        | 77.309       | 85.07          |
|  | 80MHz, 16QAM |                         |        | 77.302       | 84.69          |
| 90MHz, BPSK                                    | 243/0        | 86.943                  | 94.11  |              |                |
| 90MHz, QPSK                                    |              | 86.865                  | 94.20  |              |                |
| 90MHz, 16QAM                                   |              | 87.083                  | 94.11  |              |                |
| 100MHz, BPSK                                   | 270/0        | 96.671                  | 104.3  |              |                |
| 100MHz, QPSK                                   |              | 96.482                  | 103.8  |              |                |
| 100MHz, 16QAM                                  |              | 96.624                  | 103.8  |              |                |
| 100MHz, BPSK                                   | 1/0          | 0.595                   | 0.90   |              |                |

**5G NR n77(FCC Part 27 3700-3980MHz)**

| Band   | Mode         | RB Allocation/RB Offset | f(MHz) | 99% BW (MHz) | -26dB BW (MHz) |
|--|--------------|-------------------------|--------|--------------|----------------|
| 5G NR n77<br>(FCC Part 27<br>3700-<br>3980MHz) | 10MHz, BPSK  | 24/0                    | 3840.0 | 8.562        | 9.87           |
|  | 10MHz, QPSK  |                         |        | 8.647        | 10.08          |
|  | 10MHz, 16QAM |                         |        | 8.593        | 9.75           |
|  | 15MHz, BPSK  | 36/0                    |        | 12.862       | 13.58          |
|  | 15MHz, QPSK  |                         |        | 12.857       | 14.02          |
|  | 15MHz, 16QAM |                         |        | 12.959       | 13.83          |
|  | 20MHz, BPSK  | 50/0                    |        | 17.913       | 18.94          |
|  | 20MHz, QPSK  |                         |        | 17.949       | 19.11          |
|  | 20MHz, 16QAM |                         |        | 17.852       | 18.78          |
|  | 25MHz, BPSK  | 64/0                    |        | 22.946       | 24.76          |
|  | 25MHz, QPSK  |                         |        | 22.878       | 24.46          |
|  | 25MHz, 16QAM |                         |        | 22.926       | 24.60          |
|  | 30MHz, BPSK  | 75/0                    |        | 26.916       | 28.08          |
|  | 30MHz, QPSK  |                         |        | 26.977       | 28.87          |
|  | 30MHz, 16QAM |                         |        | 26.854       | 28.93          |
|  | 40MHz, BPSK  | 100/0                   |        | 35.776       | 37.77          |
|  | 40MHz, QPSK  |                         |        | 35.842       | 37.42          |
|  | 40MHz, 16QAM |                         |        | 35.610       | 37.55          |
|  | 50MHz, BPSK  | 128/0                   |        | 45.770       | 48.44          |
|  | 50MHz, QPSK  |                         |        | 45.705       | 49.07          |
|  | 50MHz, 16QAM |                         |        | 45.691       | 47.52          |
|  | 60MHz, BPSK  | 162/0                   |        | 57.808       | 63.58          |
|  | 60MHz, QPSK  |                         |        | 57.988       | 62.68          |
|  | 60MHz, 16QAM |                         |        | 57.766       | 61.58          |
|  | 70MHz, BPSK  | 180/0                   |        | 64.396       | 70.86          |
|  | 70MHz, QPSK  |                         |        | 64.452       | 70.23          |
|  | 70MHz, 16QAM |                         |        | 63.975       | 69.33          |
|  | 80MHz, BPSK  | 216/0                   |        | 77.206       | 81.88          |
|  | 80MHz, QPSK  |                         |        | 77.331       | 81.49          |
|  | 80MHz, 16QAM |                         |        | 77.079       | 80.52          |
| 90MHz, BPSK                                    | 243/0        | 86.599                  | 91.62  |              |                |
| 90MHz, QPSK                                    |              | 87.049                  | 91.42  |              |                |
| 90MHz, 16QAM                                   |              | 86.966                  | 90.37  |              |                |
| 100MHz, BPSK                                   | 270/0        | 96.453                  | 102.3  |              |                |
| 100MHz, QPSK                                   |              | 96.301                  | 100.8  |              |                |
| 100MHz, 16QAM                                  |              | 96.599                  | 100.9  |              |                |
| 100MHz, BPSK                                   | 1/0          | 0.595                   | 0.84   |              |                |

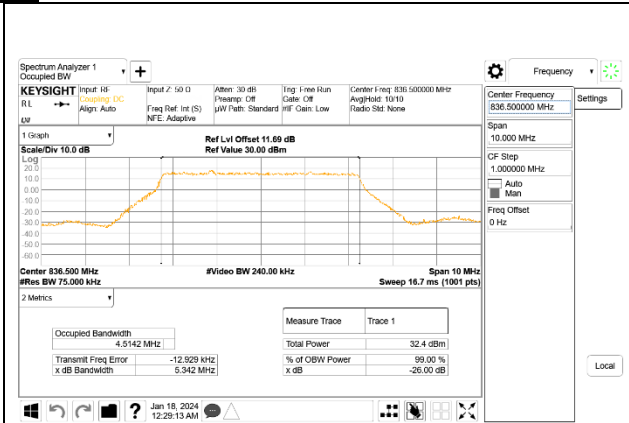
### 9.1.1. LTE BAND 5 AND 5G NR n5

#### LTE BAND 5

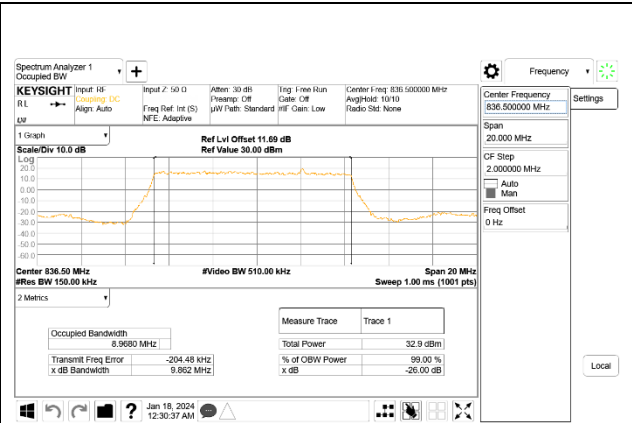


Intentionally Blank

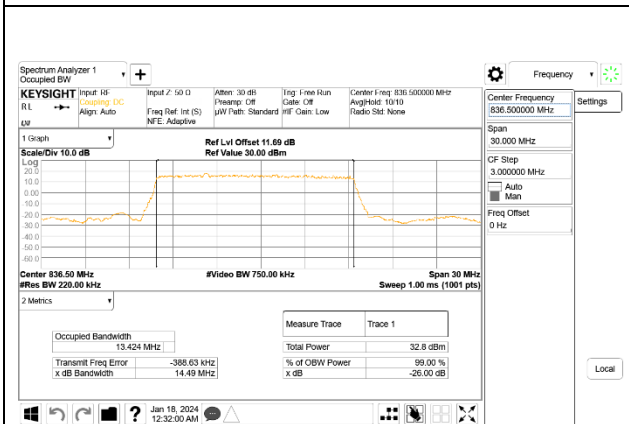
5G NR n5



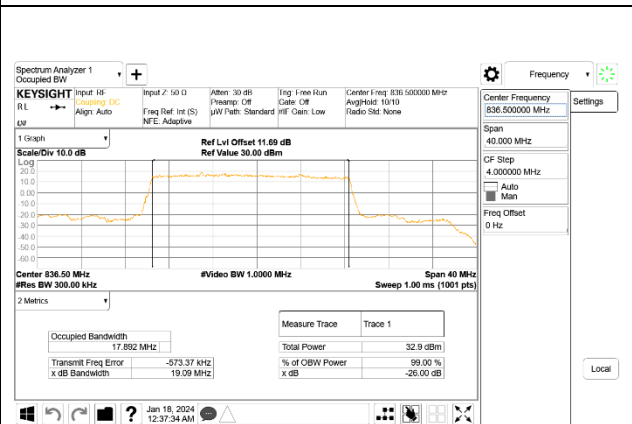
5G NR n5 5MHz BPSK Middle Channel RB25-0, ID:28498



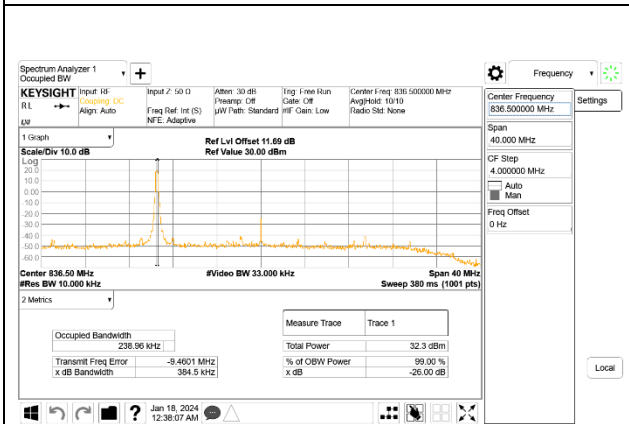
5G NR n5 10MHz BPSK Middle Channel RB50-0, ID:28498



5G NR n5 15MHz BPSK Middle Channel RB75-0, ID:28498



5G NR n5 20MHz BPSK Middle Channel RB100-0, ID:28498



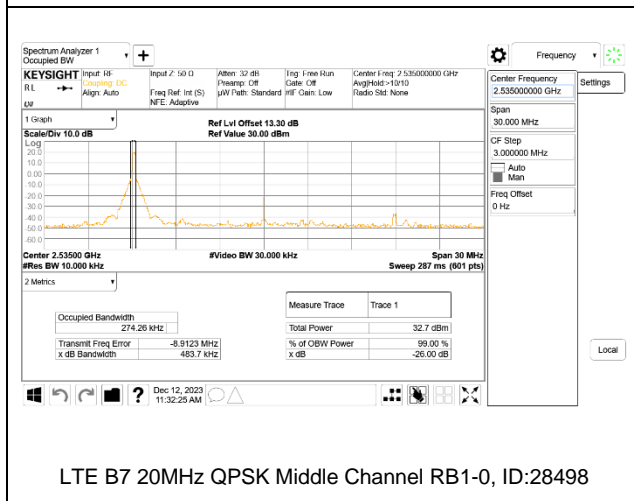
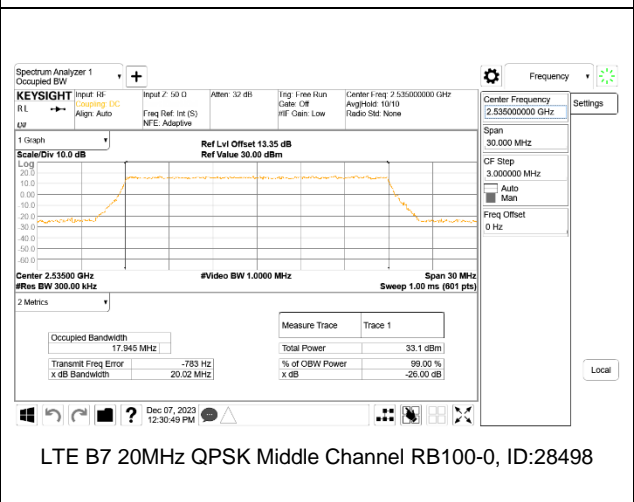
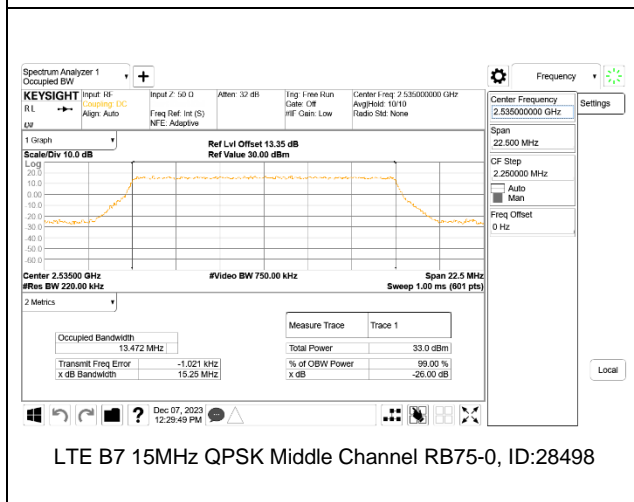
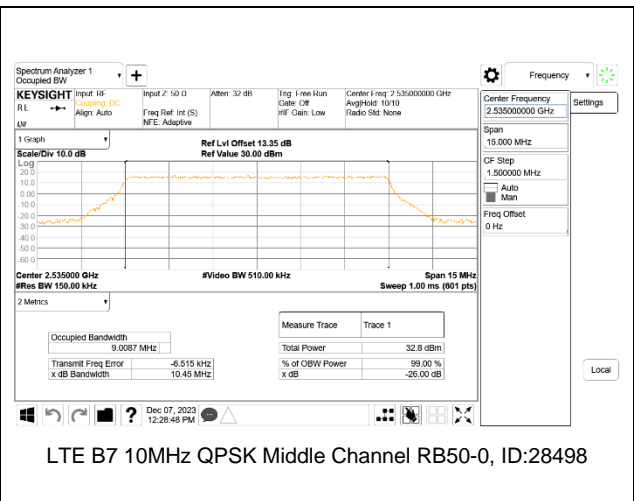
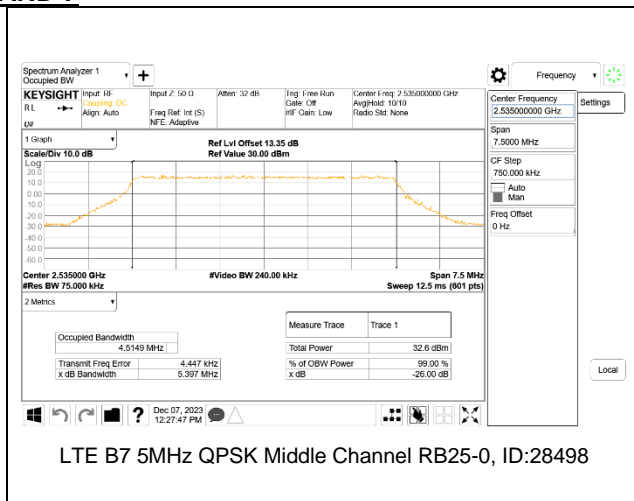
5G NR n5 20MHz BPSK Middle Channel RB1-0, ID:28498

Intentionally Blank



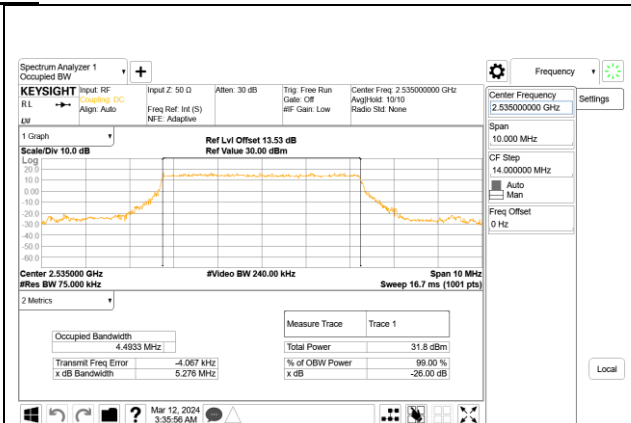
### 9.1.2. LTE BAND 7 AND 5G NR n7

#### LTE BAND 7

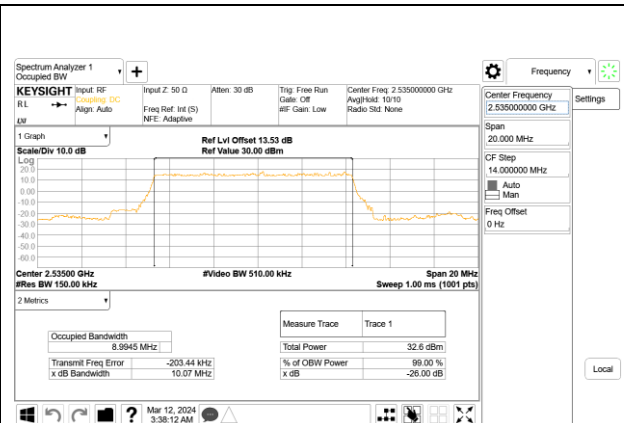


Intentionally Blank

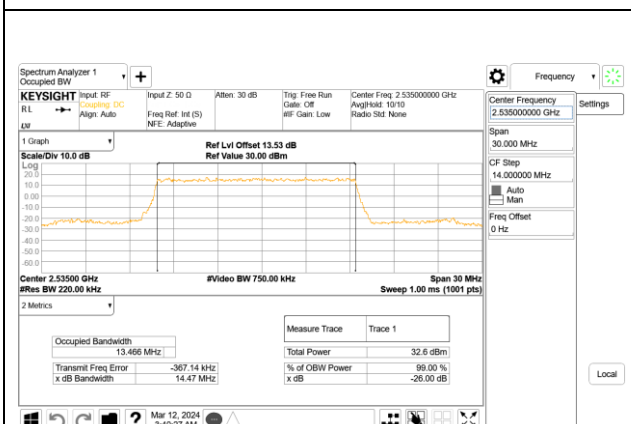
5G NR n7



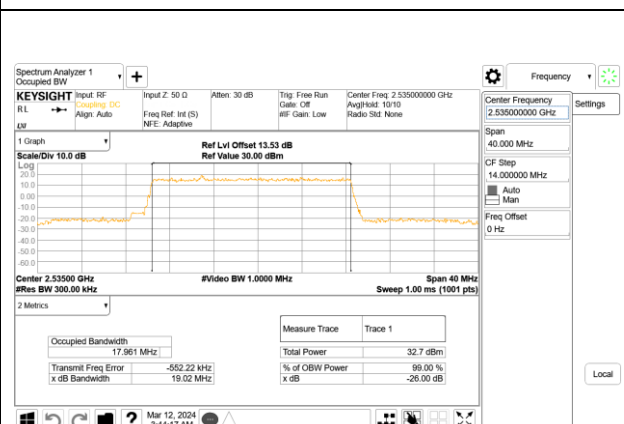
5G NR n7 5MHz BPSK Middle Channel RB25-0, ID:28498



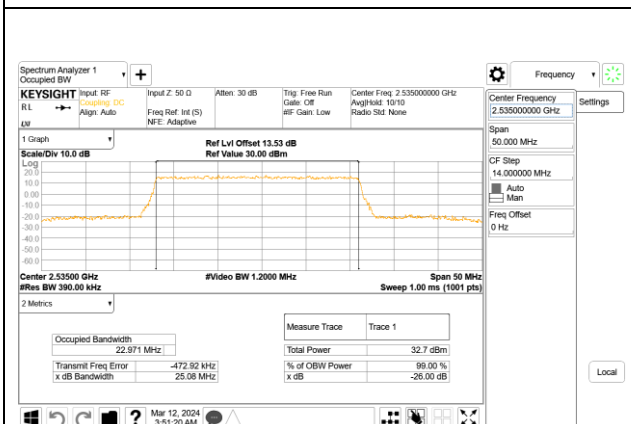
5G NR n7 10MHz BPSK Middle Channel RB50-0, ID:28498



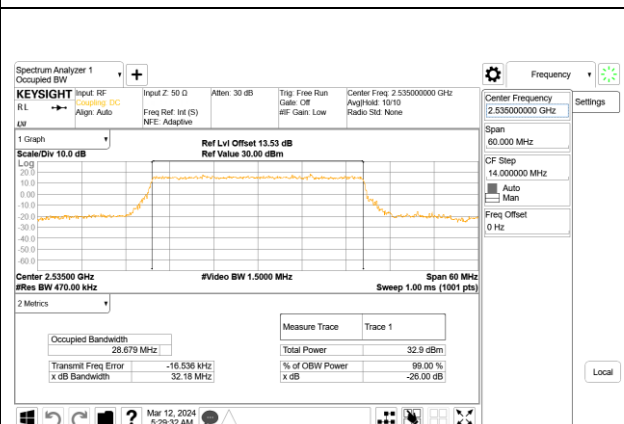
5G NR n7 15MHz BPSK Middle Channel RB75-0, ID:28498



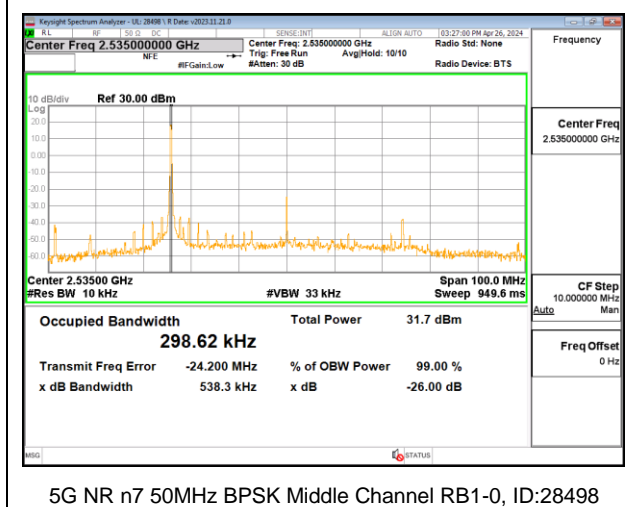
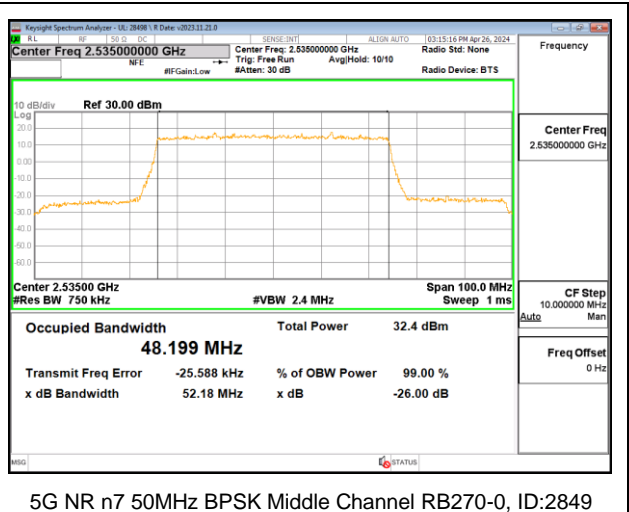
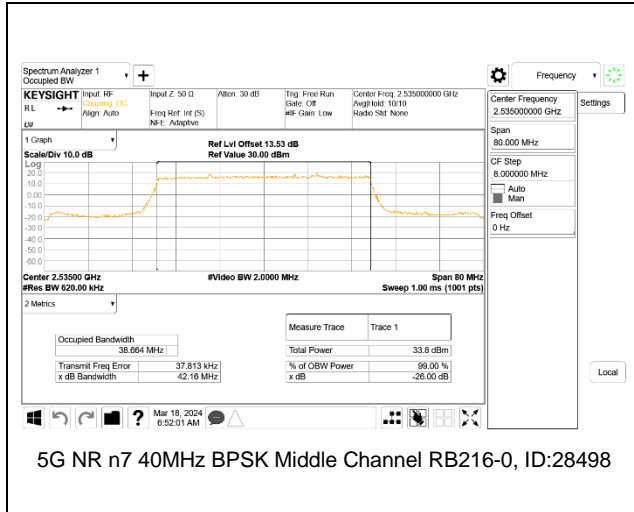
5G NR n7 20MHz BPSK Middle Channel RB100-0, ID:28498



5G NR n7 25MHz BPSK Middle Channel RB128-0, ID:28498



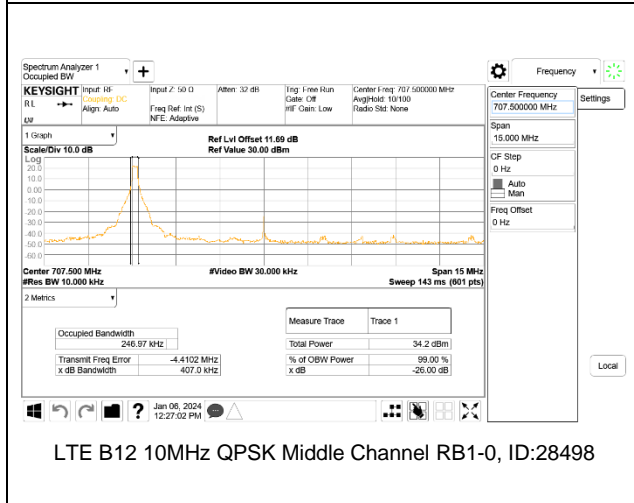
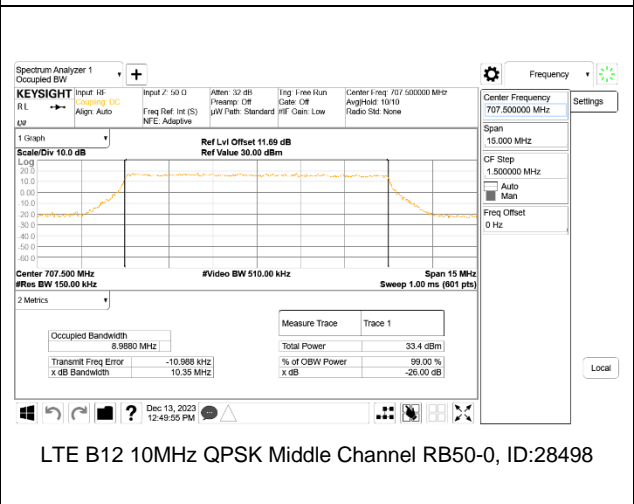
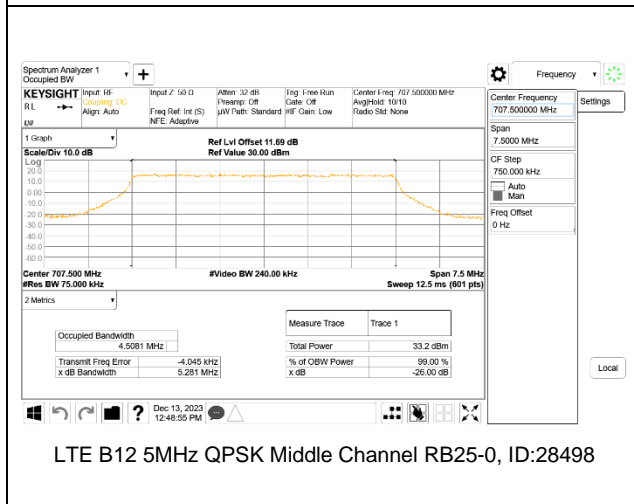
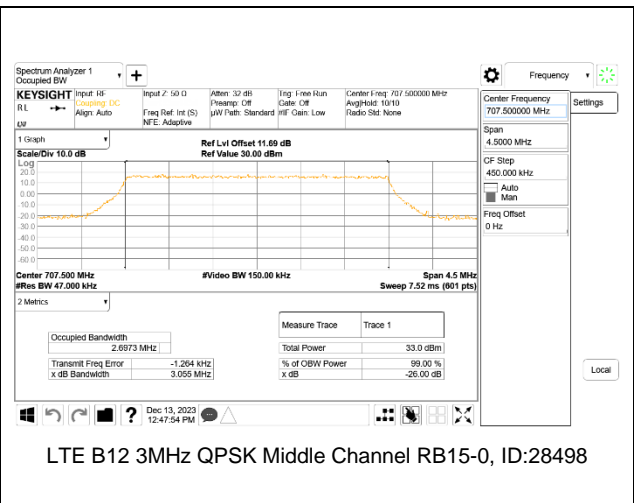
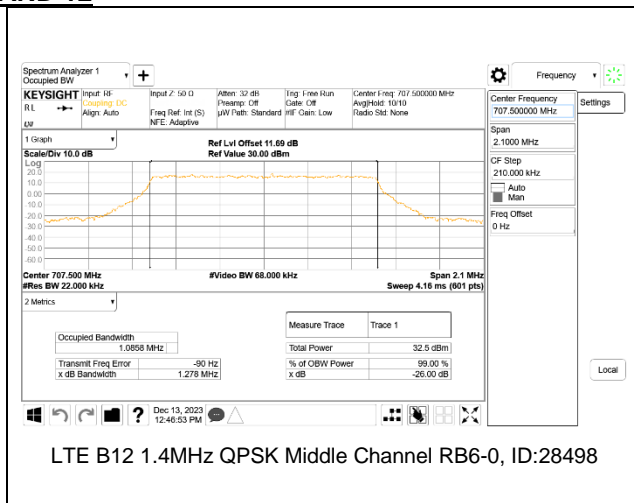
5G NR n7 30MHz BPSK Middle Channel RB160-0, ID:28498



Intentionally Blank

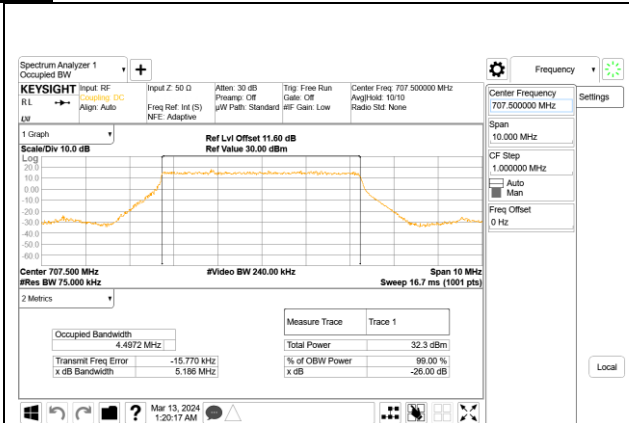
### 9.1.3. LTE BAND 12 AND 5G NR n12

#### LTE BAND 12

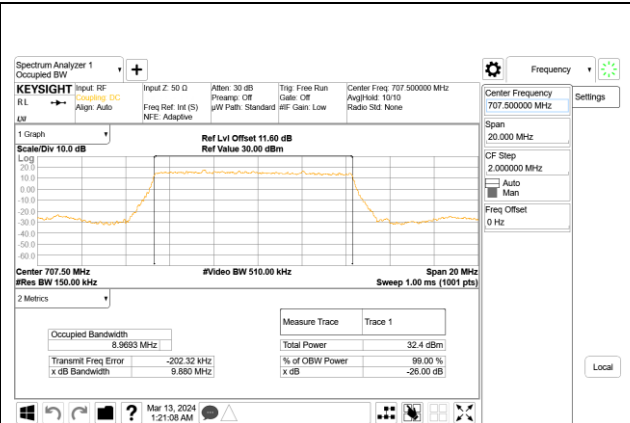


Intentionally Blank

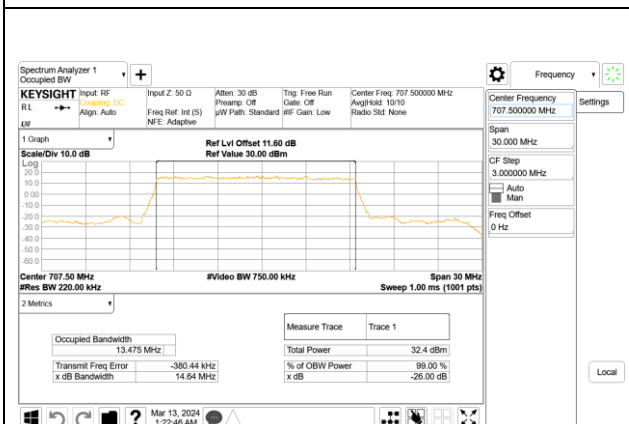
5G NR n12



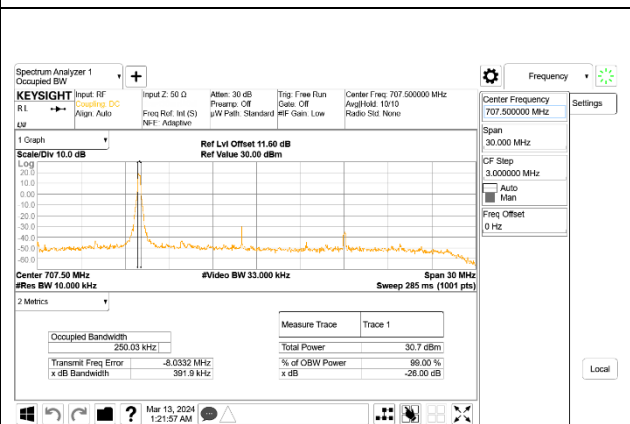
5G NR n12 5MHz BPSK Middle Channel RB25-0, ID:19210



5G NR n12 10MHz BPSK Middle Channel RB50-0, ID:19210



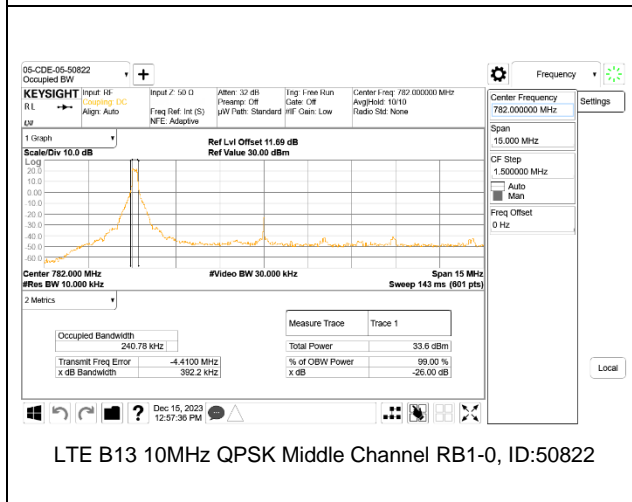
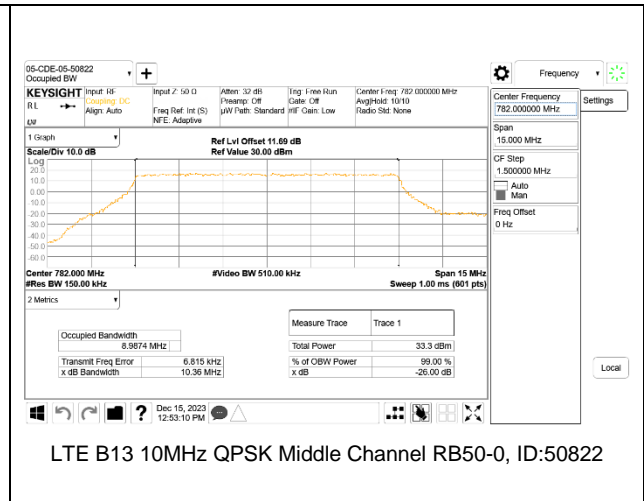
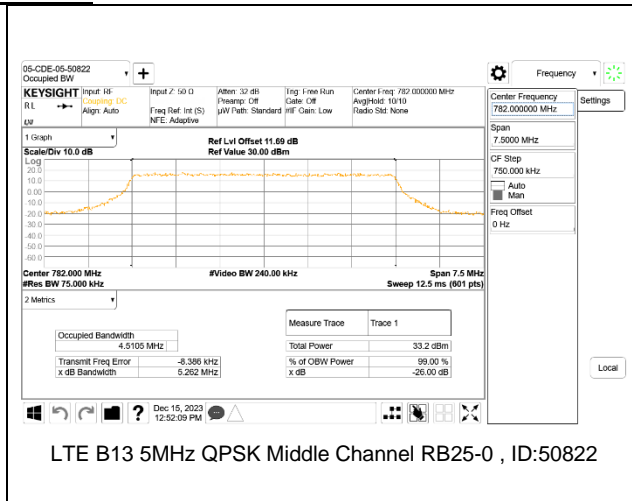
5G NR n12 15MHz BPSK Middle Channel RB75-0, ID:19210



5G NR n12 15MHz BPSK Middle Channel RB1-0, ID:19210

### 9.1.4. LTE BAND 13

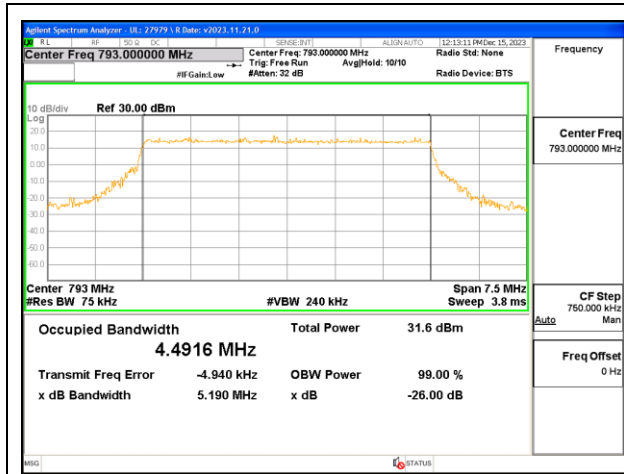
#### LTE BAND 13



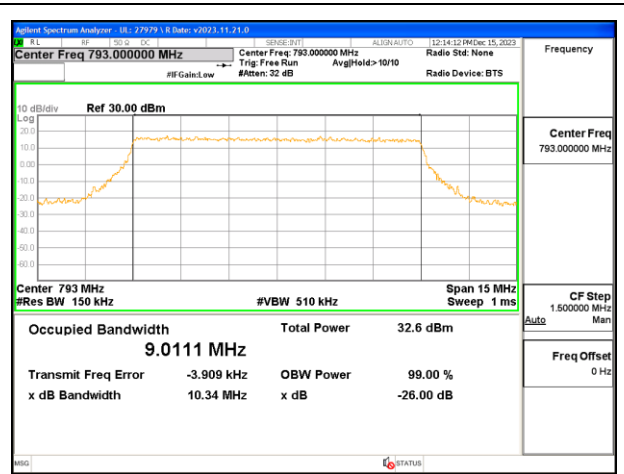
Intentionally Blank

### 9.1.5. LTE BAND 14 AND 5G NR n14

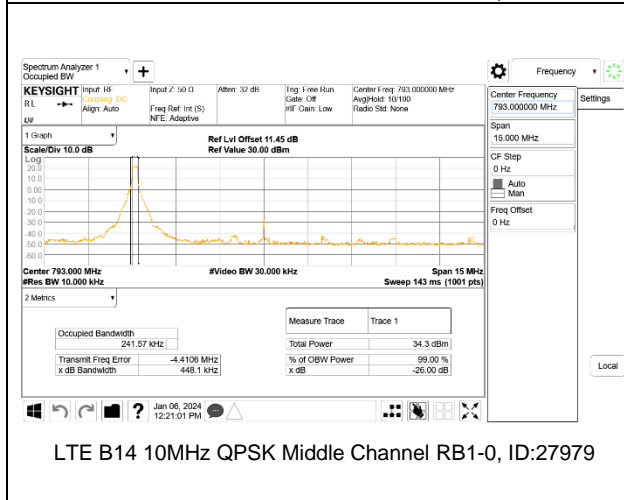
#### LTE BAND 14



LTE B14 5MHz QPSK Middle Channel RB25-0, ID:27979



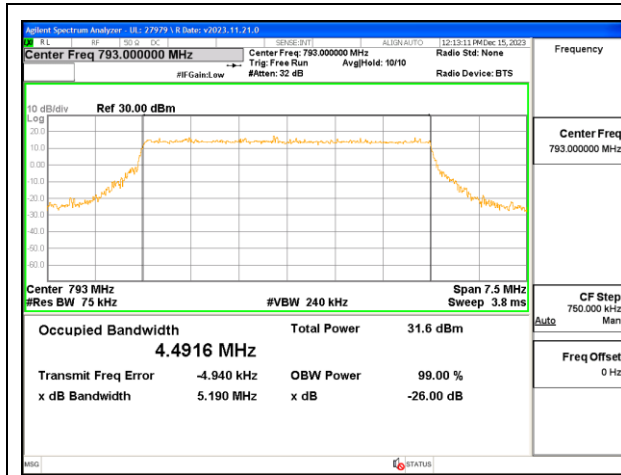
LTE B14 10MHz QPSK Middle Channel RB50-0, ID:27979



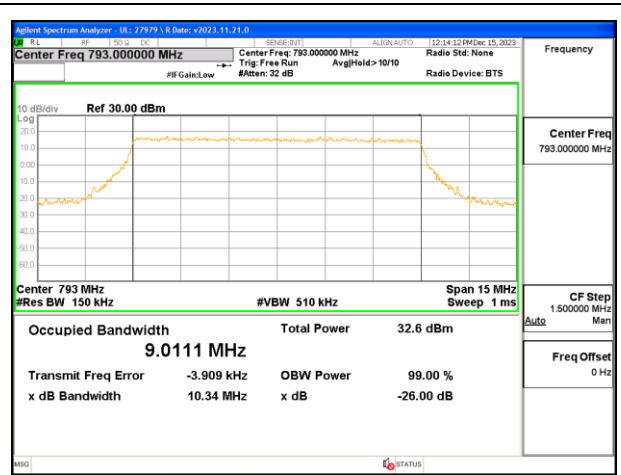
LTE B14 10MHz QPSK Middle Channel RB1-0, ID:27979

Intentionally Blank

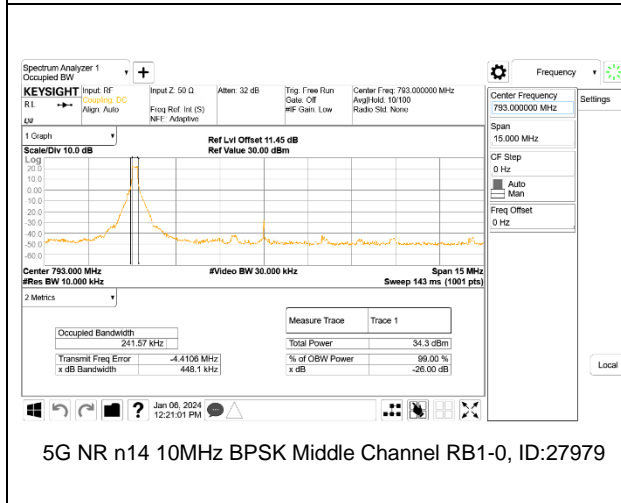
**5G NR n14**



5G NR n14 5MHz BPSK Middle Channel RB25-0



5G NR n14 10MHz BPSK Middle Channel RB50-0



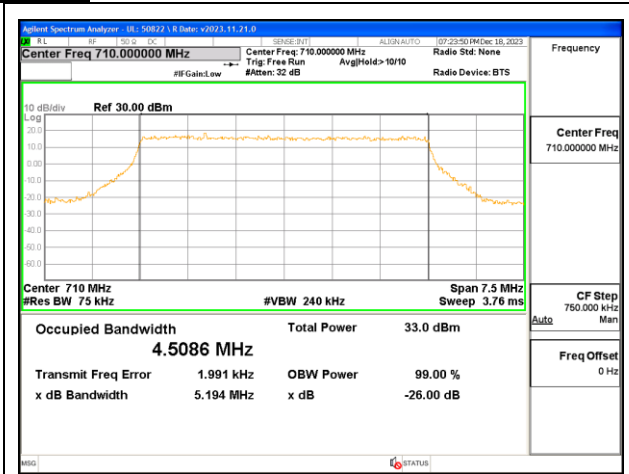
5G NR n14 10MHz BPSK Middle Channel RB1-0, ID:27979

Intentionally Blank

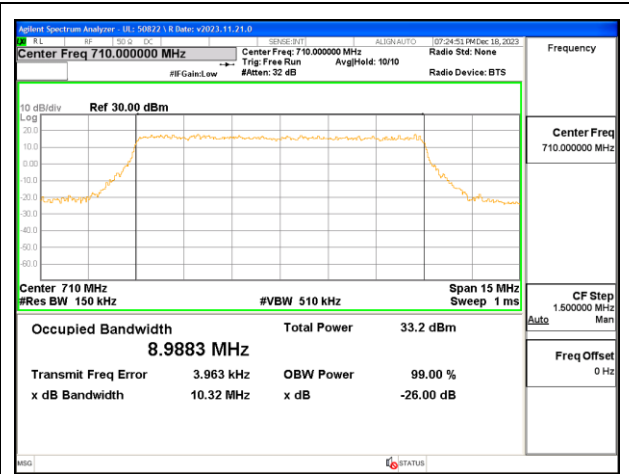


### 9.1.6. LTE BAND 17

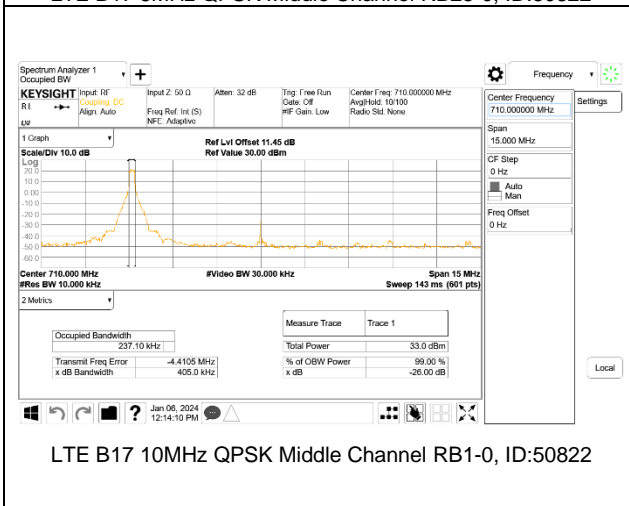
#### LTE BAND 17



LTE B17 5MHz QPSK Middle Channel RB25-0, ID:50822



LTE B17 10MHz QPSK Middle Channel RB50-0, ID:50822

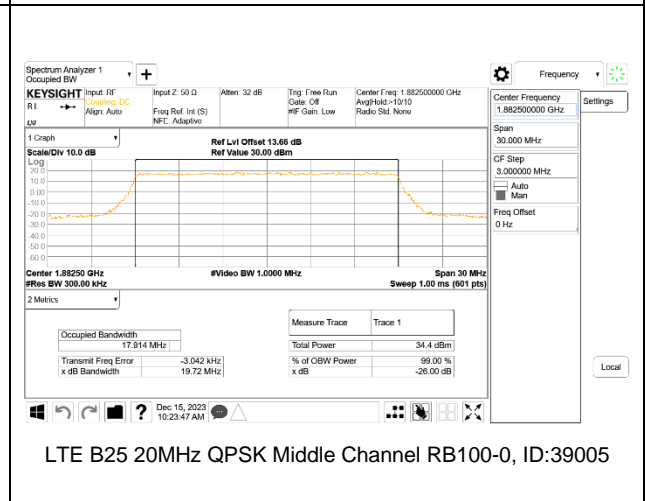
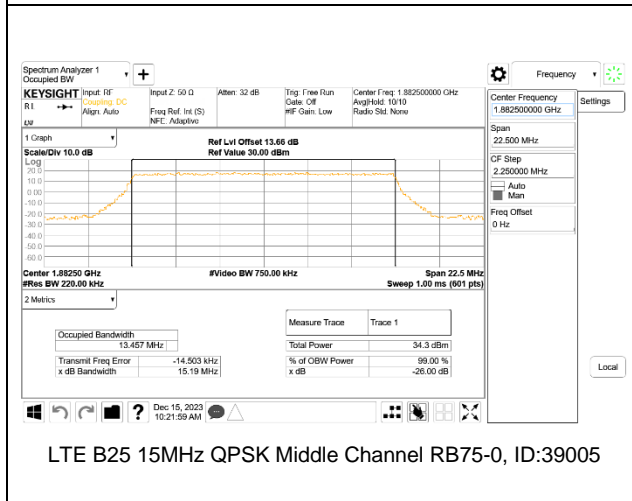
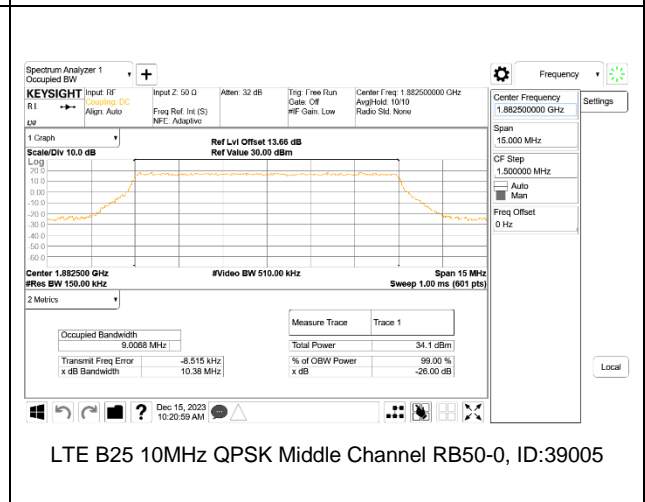
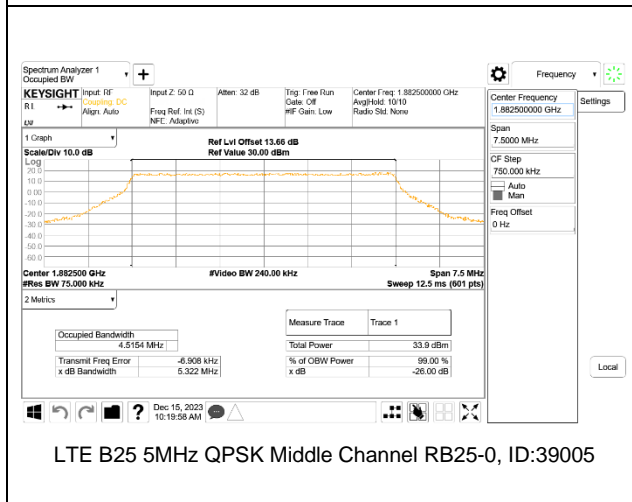
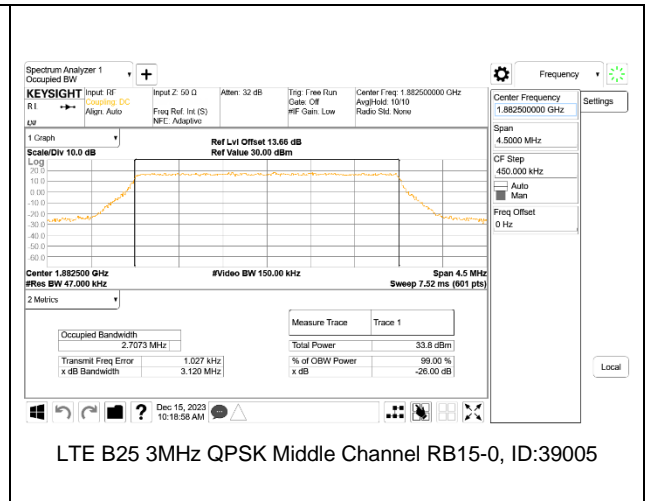
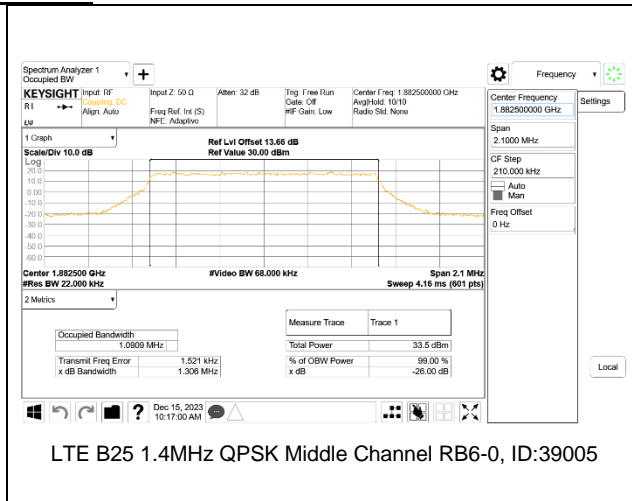


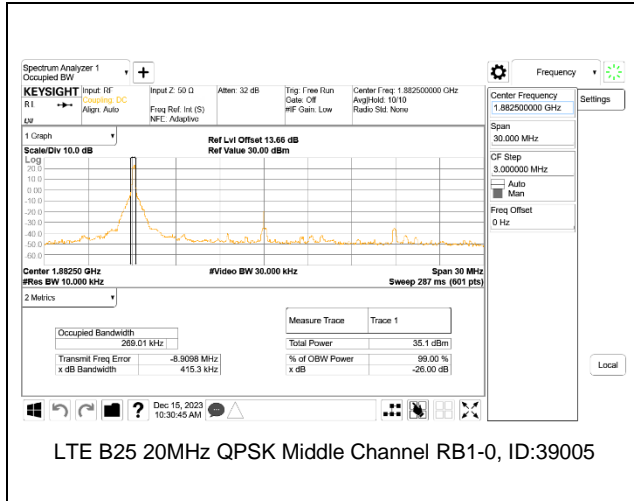
LTE B17 10MHz QPSK Middle Channel RB1-0, ID:50822

Intentionally Blank

### 9.1.7. LTE BAND 25 AND 5G NR n25

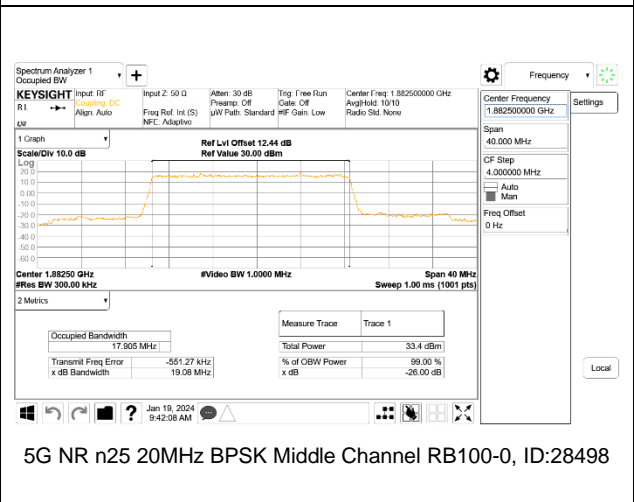
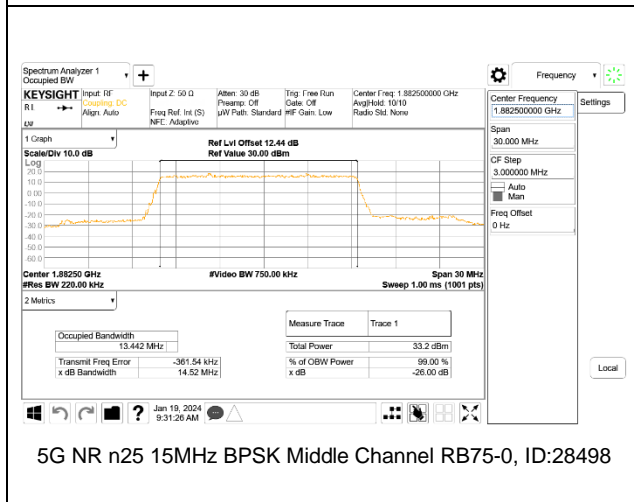
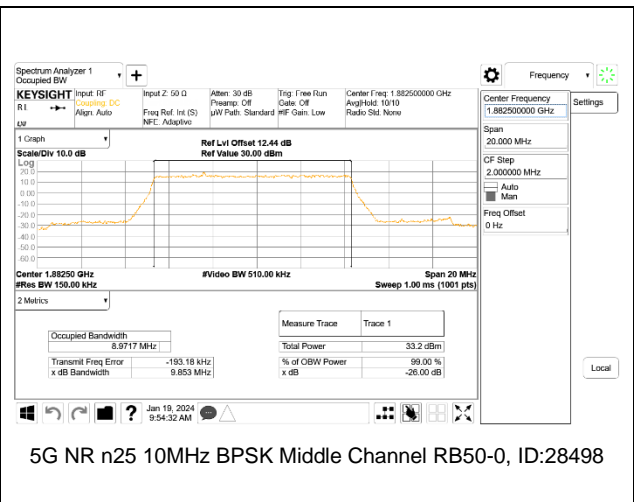
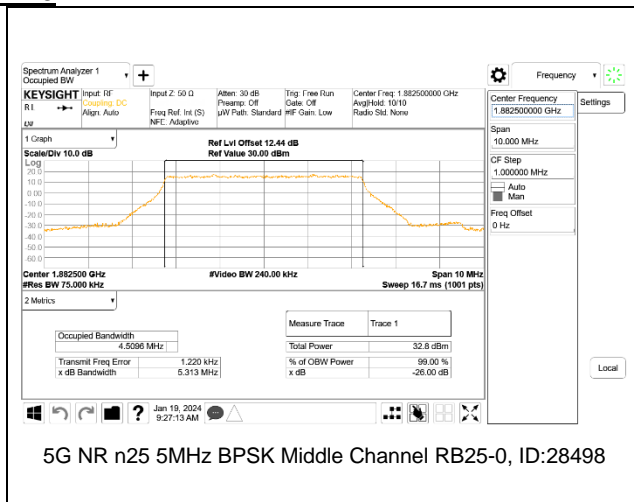
#### LTE BAND 25

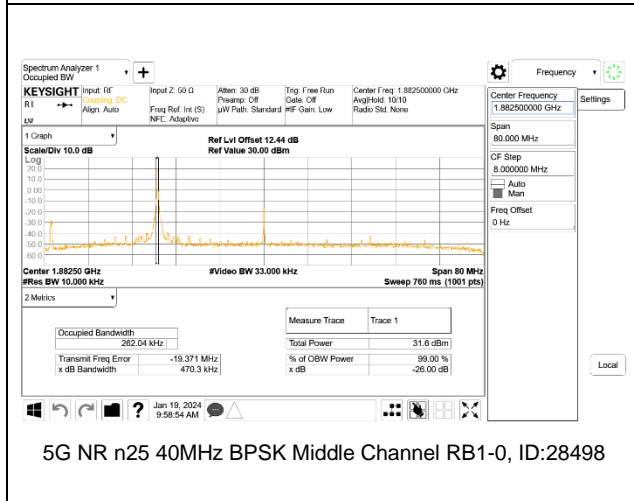
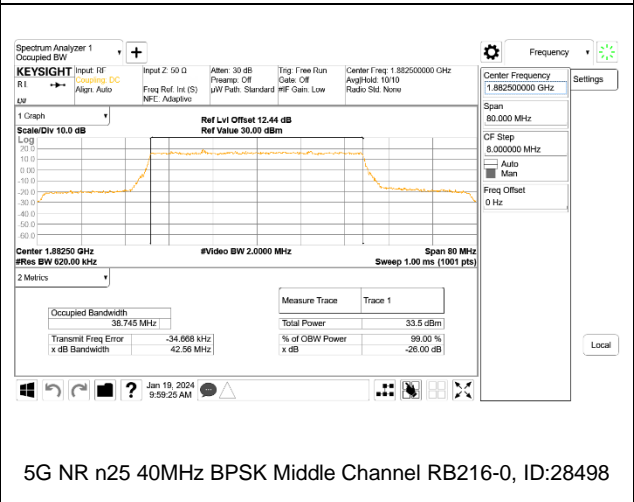
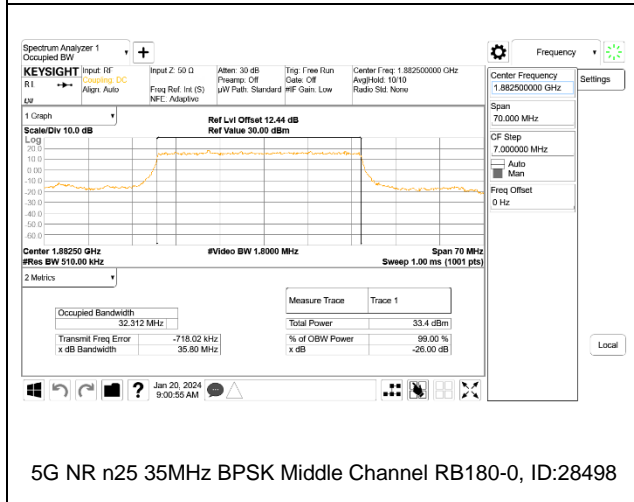
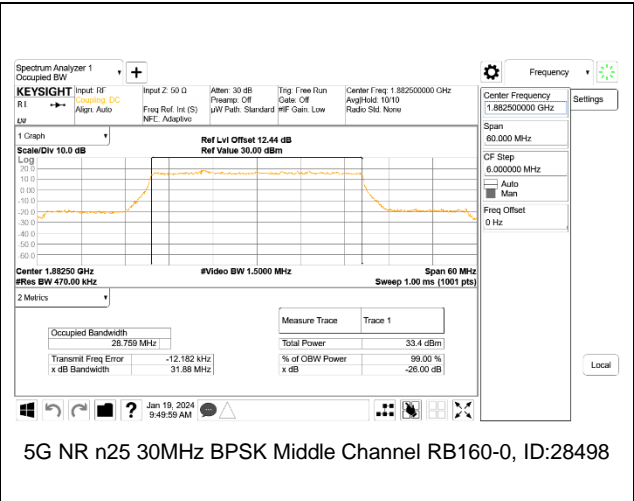
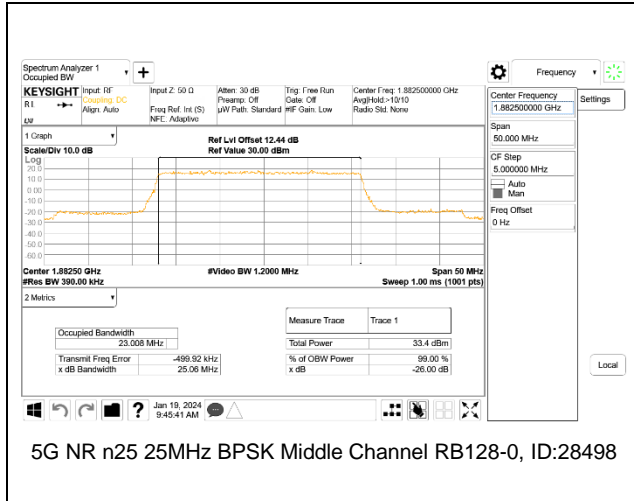




Intentionally Blank

5G NR n25

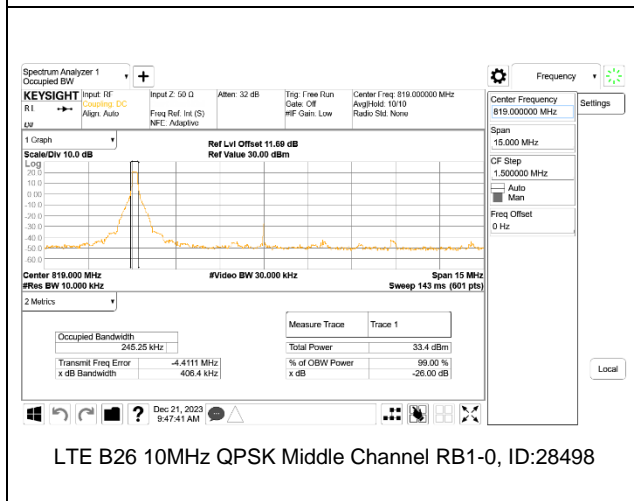
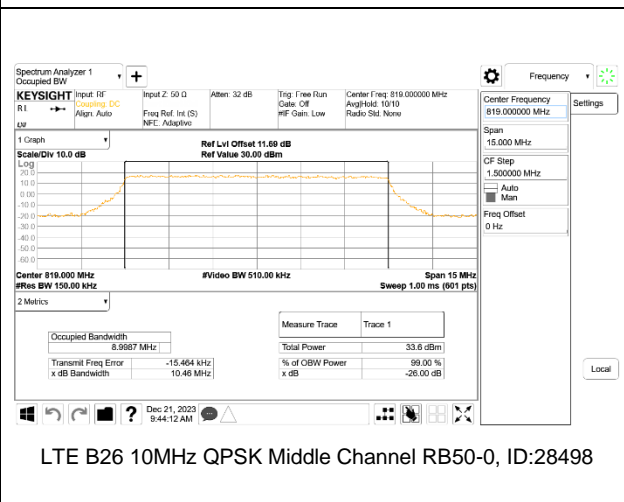
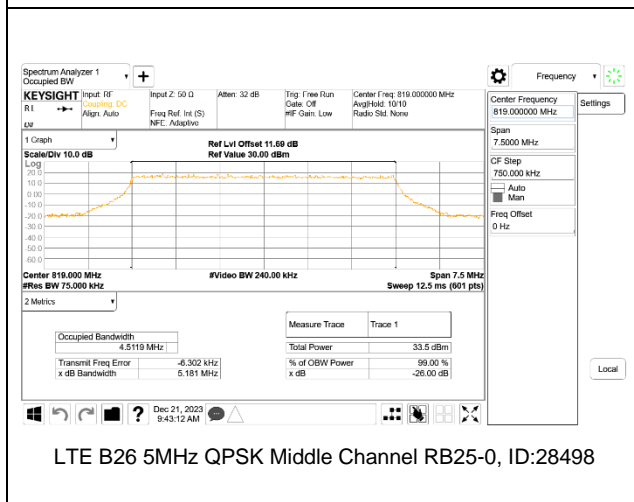
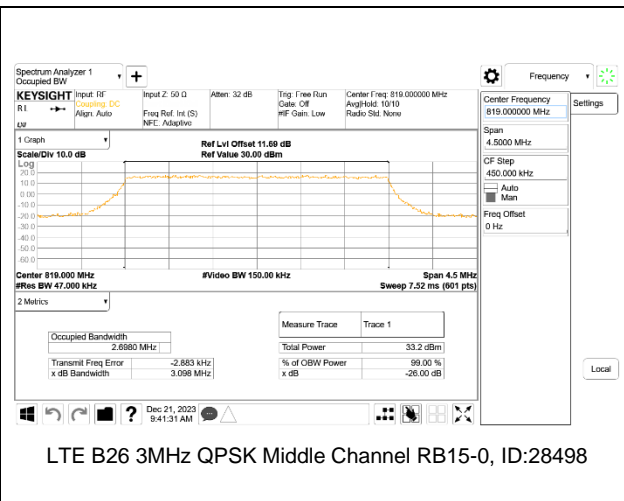
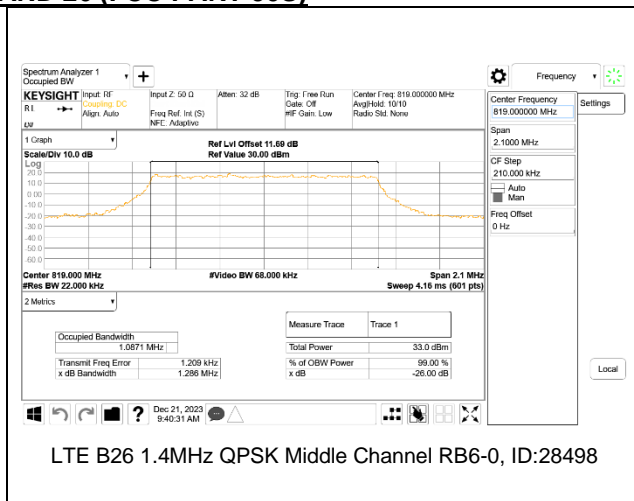




Intentionally Blank

### 9.1.8. LTE BAND 26 AND 5G NR n26 (FCC PART 90S)

#### LTE BAND 26 (FCC PART 90S)



Intentionally Blank