

## System Check\_Head\_750MHz

### DUT: D750V3-1012

Communication System: CW; Frequency: 750 MHz; Duty Cycle: 1:1

Medium: HSL\_750\_220412 Medium parameters used:  $f = 750$  MHz;  $\sigma = 0.888$  S/m;  $\epsilon_r = 42.3$ ;  $\rho = 1000$  kg/m<sup>3</sup>

Ambient Temperature : 23.6 °C ; Liquid Temperature : 22.6 °C

DASY5 Configuration:

- Probe: EX3DV4 - SN3931; ConvF(10.36, 10.36, 10.36) @ 750 MHz; Calibrated: 2021/10/21
- Sensor-Surface: 1.4mm (Mechanical Surface Detection)
- Electronics: DAE4 Sn1399; Calibrated: 2022/2/28
- Phantom: SAM-Middle; Type: SAM; Serial: TP-1503
- Measurement SW: DASY52, Version 52.10 (4); SEMCAD X Version 14.6.14 (7483)

**Pin=50mW/Area Scan (61x61x1):** Interpolated grid: dx=1.500 mm, dy=1.500 mm

Maximum value of SAR (interpolated) = 0.529 W/kg

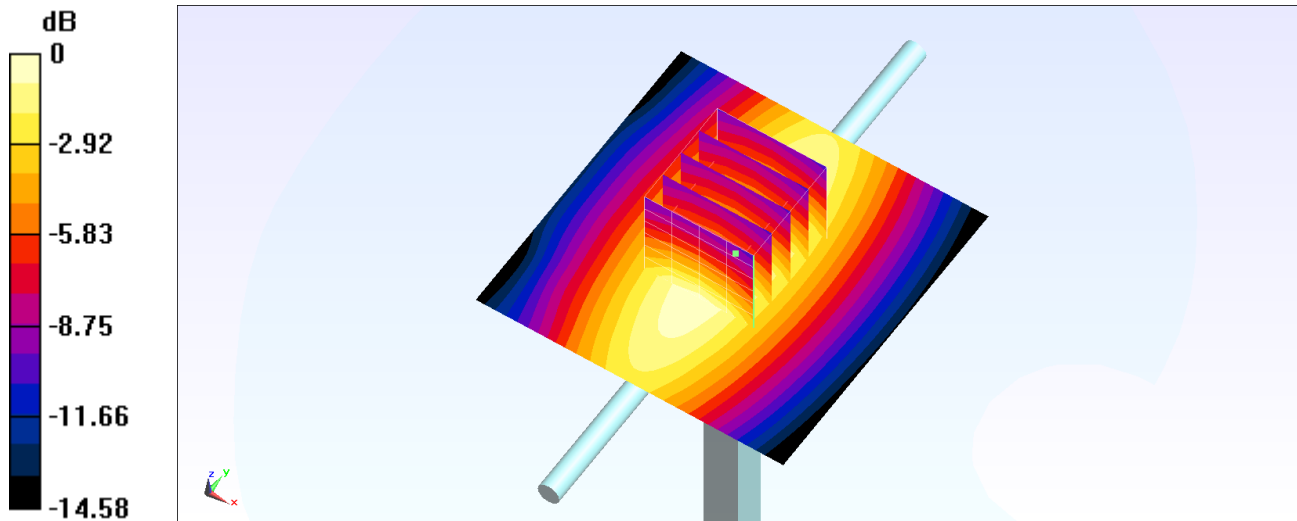
**Pin=50mW/Zoom Scan (5x5x7)/Cube 0:** Measurement grid: dx=8mm, dy=8mm, dz=5mm

Reference Value = 25.11 V/m; Power Drift = -0.02 dB

Peak SAR (extrapolated) = 0.585 W/kg

**SAR(1 g) = 0.399 W/kg; SAR(10 g) = 0.265 W/kg**

Maximum value of SAR (measured) = 0.524 W/kg



0 dB = 0.524 W/kg = -2.81 dBW/kg

## System Check\_Head\_750MHz

### DUT: D750V3-1012

Communication System: CW; Frequency: 750 MHz; Duty Cycle: 1:1

Medium: HSL\_750\_220416 Medium parameters used:  $f = 750$  MHz;  $\sigma = 0.89$  S/m;  $\epsilon_r = 42.135$ ;  $\rho = 1000$  kg/m<sup>3</sup>

Ambient Temperature : 23.6 °C ; Liquid Temperature : 22.6 °C

DASY5 Configuration:

- Probe: EX3DV4 - SN3931; ConvF(10.36, 10.36, 10.36) @ 750 MHz; Calibrated: 2021/10/21
- Sensor-Surface: 1.4mm (Mechanical Surface Detection)
- Electronics: DAE4 Sn1399; Calibrated: 2022/2/28
- Phantom: SAM-Middle; Type: SAM; Serial: TP-1503
- Measurement SW: DASY52, Version 52.10 (4); SEMCAD X Version 14.6.14 (7483)

**Pin=50mW/Area Scan (61x61x1):** Interpolated grid: dx=1.500 mm, dy=1.500 mm

Maximum value of SAR (interpolated) = 0.529 W/kg

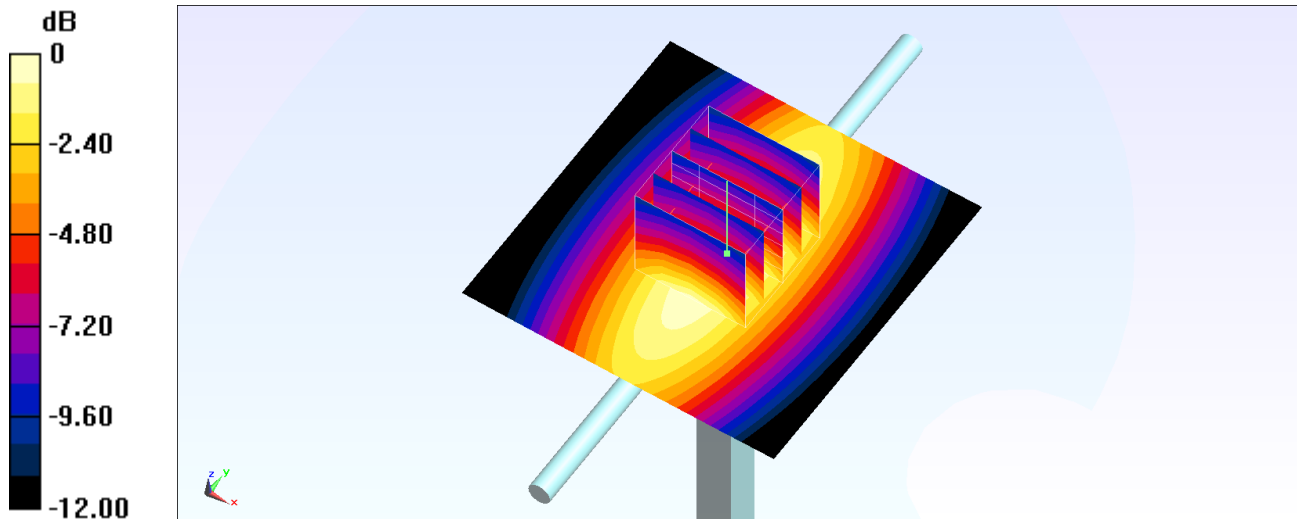
**Pin=50mW/Zoom Scan (5x5x7)/Cube 0:** Measurement grid: dx=8mm, dy=8mm, dz=5mm

Reference Value = 25.62 V/m; Power Drift = -0.11 dB

Peak SAR (extrapolated) = 0.592 W/kg

**SAR(1 g) = 0.400 W/kg; SAR(10 g) = 0.265 W/kg**

Maximum value of SAR (measured) = 0.529 W/kg



0 dB = 0.529 W/kg = -2.77 dBW/kg

## System Check\_Head\_750MHz

### DUT: D750V3-1012

Communication System: CW; Frequency: 750 MHz; Duty Cycle: 1:1

Medium: HSL\_750\_220502 Medium parameters used:  $f = 750$  MHz;  $\sigma = 0.89$  S/m;  $\epsilon_r = 43.009$ ;  $\rho = 1000$  kg/m<sup>3</sup>

Ambient Temperature : 23.5 °C ; Liquid Temperature : 22.5 °C

DASY5 Configuration:

- Probe: EX3DV4 - SN3931; ConvF(10.36, 10.36, 10.36) @ 750 MHz; Calibrated: 2021/10/21
- Sensor-Surface: 1.4mm (Mechanical Surface Detection)
- Electronics: DAE4 Sn1399; Calibrated: 2022/2/28
- Phantom: SAM-Middle; Type: SAM; Serial: TP-1503
- Measurement SW: DASY52, Version 52.10 (4); SEMCAD X Version 14.6.14 (7483)

**Pin=50mW/Area Scan (61x61x1):** Interpolated grid: dx=1.500 mm, dy=1.500 mm

Maximum value of SAR (interpolated) = 0.471 W/kg

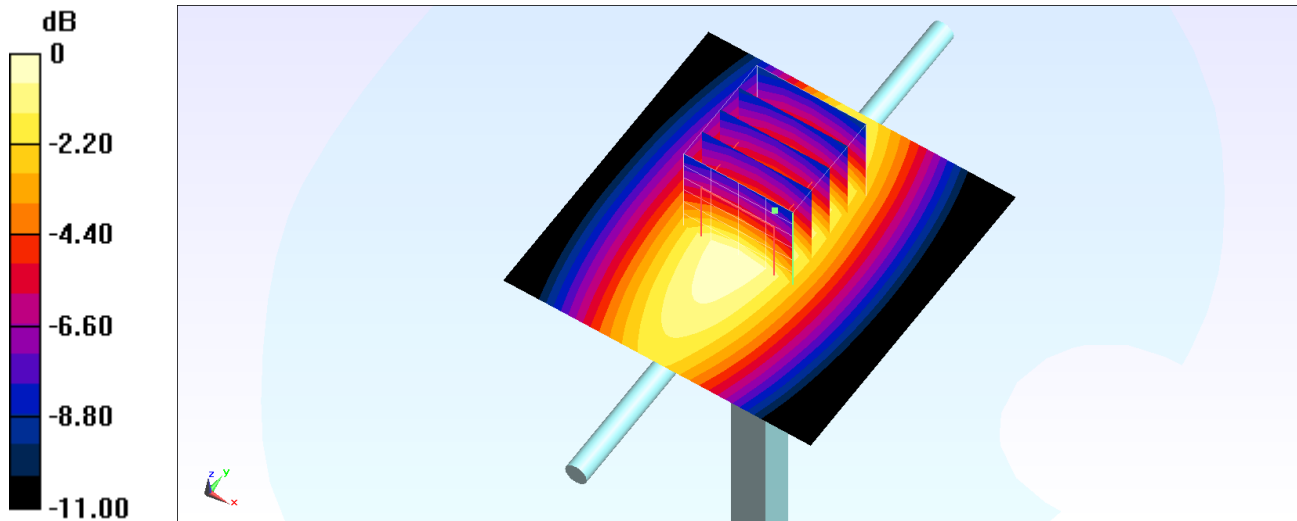
**Pin=50mW/Zoom Scan (5x5x7)/Cube 0:** Measurement grid: dx=8mm, dy=8mm, dz=5mm

Reference Value = 23.47 V/m; Power Drift = 0.15 dB

Peak SAR (extrapolated) = 0.511 W/kg

**SAR(1 g) = 0.397 W/kg; SAR(10 g) = 0.260 W/kg**

Maximum value of SAR (measured) = 0.466 W/kg



0 dB = 0.466 W/kg = -3.32 dBW/kg

## System Check\_Head\_750MHz

### DUT: D750V3-1012

Communication System: CW; Frequency: 750 MHz; Duty Cycle: 1:1

Medium: HSL\_750\_220503 Medium parameters used:  $f = 750$  MHz;  $\sigma = 0.882$  S/m;  $\epsilon_r = 42.167$ ;  $\rho = 1000$  kg/m<sup>3</sup>

Ambient Temperature : 23.6 °C ; Liquid Temperature : 22.6 °C

DASY5 Configuration:

- Probe: EX3DV4 - SN3931; ConvF(10.36, 10.36, 10.36) @ 750 MHz; Calibrated: 2021/10/21
- Sensor-Surface: 1.4mm (Mechanical Surface Detection)
- Electronics: DAE4 Sn1399; Calibrated: 2022/2/28
- Phantom: SAM-Middle; Type: SAM; Serial: TP-1503
- Measurement SW: DASY52, Version 52.10 (4); SEMCAD X Version 14.6.14 (7483)

**Pin=50mW/Area Scan (61x61x1):** Interpolated grid: dx=1.500 mm, dy=1.500 mm

Maximum value of SAR (interpolated) = 0.540 W/kg

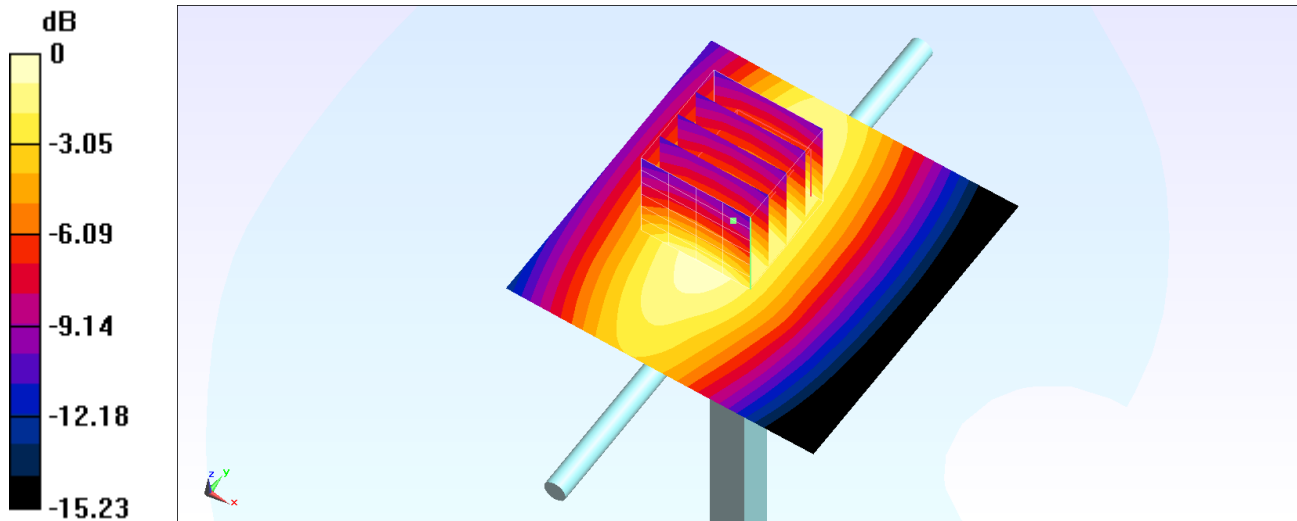
**Pin=50mW/Zoom Scan (5x5x7)/Cube 0:** Measurement grid: dx=8mm, dy=8mm, dz=5mm

Reference Value = 22.49 V/m; Power Drift = 0.16 dB

Peak SAR (extrapolated) = 0.682 W/kg

**SAR(1 g) = 0.420 W/kg; SAR(10 g) = 0.276 W/kg**

Maximum value of SAR (measured) = 0.553 W/kg



0 dB = 0.553 W/kg = -2.57 dBW/kg

## System Check\_Head\_750MHz

### DUT: D750V3-1012

Communication System: CW; Frequency: 750 MHz; Duty Cycle: 1:1

Medium: HSL\_750\_220505 Medium parameters used:  $f = 750$  MHz;  $\sigma = 0.885$  S/m;  $\epsilon_r = 42.34$ ;  $\rho = 1000$  kg/m<sup>3</sup>

Ambient Temperature : 23.7 °C; Liquid Temperature : 22.7 °C

DASY5 Configuration:

- Probe: EX3DV4 - SN3931; ConvF(10.36, 10.36, 10.36) @ 750 MHz; Calibrated: 2021/10/21
- Sensor-Surface: 1.4mm (Mechanical Surface Detection)
- Electronics: DAE4 Sn1399; Calibrated: 2022/2/28
- Phantom: SAM-Middle; Type: SAM; Serial: TP-1503
- Measurement SW: DASY52, Version 52.10 (4); SEMCAD X Version 14.6.14 (7483)

**Pin=250mW/Area Scan (61x61x1):** Interpolated grid: dx=1.500 mm, dy=1.500 mm

Maximum value of SAR (interpolated) = 2.37 W/kg

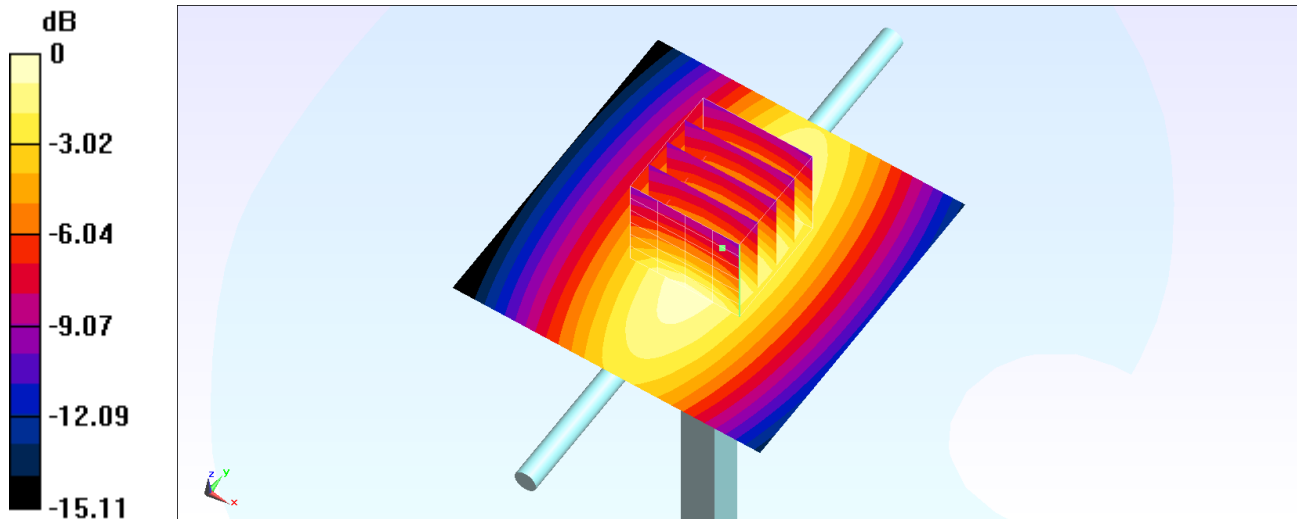
**Pin=250mW/Zoom Scan (5x5x7)/Cube 0:** Measurement grid: dx=8mm, dy=8mm, dz=5mm

Reference Value = 52.56 V/m; Power Drift = -0.15 dB

Peak SAR (extrapolated) = 2.80 W/kg

**SAR(1 g) = 1.93 W/kg; SAR(10 g) = 1.3 W/kg**

Maximum value of SAR (measured) = 2.40 W/kg



0 dB = 2.40 W/kg = 3.80 dBW/kg

## System Check\_Head\_750MHz

### DUT: D750V3-1012

Communication System: CW ; Frequency: 750 MHz;Duty Cycle: 1:1

Medium: HSL\_750\_220525 Medium parameters used:  $f = 750$  MHz;  $\sigma = 0.875$  S/m;  $\epsilon_r = 41.464$ ;  $\rho = 1000$  kg/m<sup>3</sup>

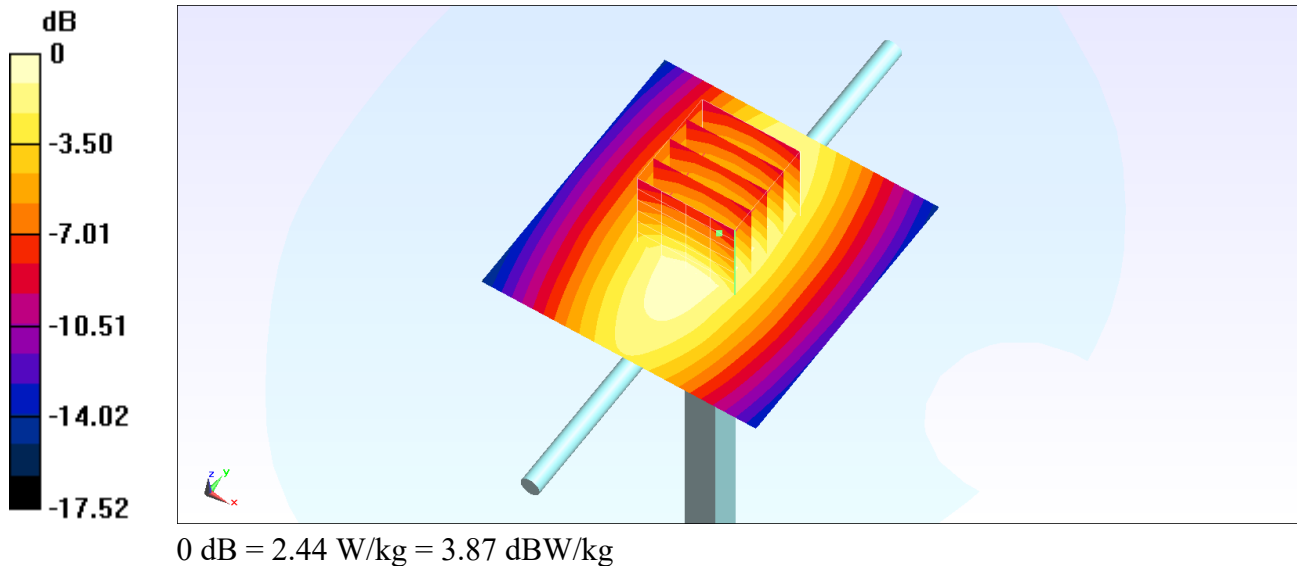
Ambient Temperature : 23.6 °C ; Liquid Temperature : 22.6 °C

DASY5 Configuration:

- Probe: ES3DV3 - SN3115; ConvF(6.3, 6.3, 6.3) @ 750 MHz; Calibrated: 2021/11/23
- Sensor-Surface: 3mm (Mechanical Surface Detection)
- Electronics: DAE4 Sn656; Calibrated: 2022/1/19
- Phantom: SAM-Middle; Type: SAM; Serial: TP-1503
- Measurement SW: DASY52, Version 52.10 (4);SEMCAD X Version 14.6.14 (7483)

**Pin=250mW/Area Scan (61x61x1):** Interpolated grid: dx=1.500 mm, dy=1.500 mm  
Maximum value of SAR (interpolated) = 2.47 W/kg

**Pin=250mW/Zoom Scan (5x5x7)/Cube 0:** Measurement grid: dx=8mm, dy=8mm, dz=5mm  
Reference Value = 54.66 V/m; Power Drift = -0.03 dB  
Peak SAR (extrapolated) = 2.89 W/kg  
**SAR(1 g) = 2.13 W/kg; SAR(10 g) = 1.47 W/kg**  
Maximum value of SAR (measured) = 2.44 W/kg



## System Check\_Head\_835MHz

### DUT: D835V2-499

Communication System: CW; Frequency: 835 MHz; Duty Cycle: 1:1

Medium: HSL\_850\_220411 Medium parameters used:  $f = 835$  MHz;  $\sigma = 0.881$  S/m;  $\epsilon_r = 42.343$ ;  $\rho = 1000$  kg/m<sup>3</sup>

Ambient Temperature : 23.6 °C ; Liquid Temperature : 22.6 °C

DASY5 Configuration:

- Probe: EX3DV4 - SN3931; ConvF(9.8, 9.8, 9.8) @ 835 MHz; Calibrated: 2021/10/21
- Sensor-Surface: 1.4mm (Mechanical Surface Detection)
- Electronics: DAE4 Sn1399; Calibrated: 2022/2/28
- Phantom: SAM-Middle; Type: SAM; Serial: TP-1503
- Measurement SW: DASY52, Version 52.10 (4); SEMCAD X Version 14.6.14 (7483)

**Pin=50mW/Area Scan (61x61x1):** Interpolated grid: dx=1.500 mm, dy=1.500 mm

Maximum value of SAR (interpolated) = 0.648 W/kg

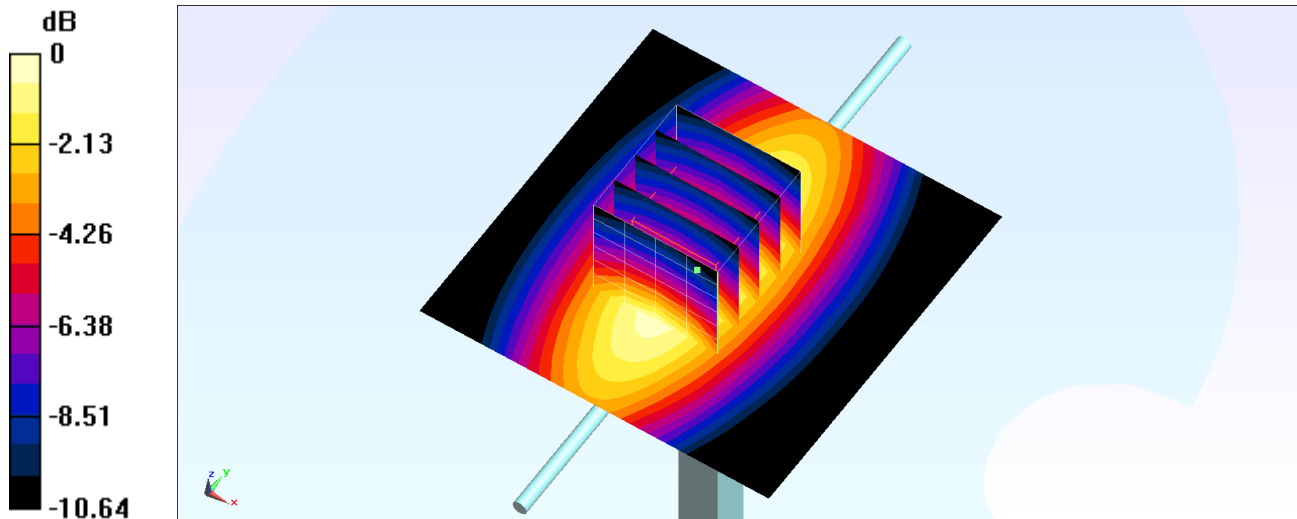
**Pin=50mW/Zoom Scan (5x5x7)/Cube 0:** Measurement grid: dx=8mm, dy=8mm, dz=5mm

Reference Value = 28.38 V/m; Power Drift = -0.06 dB

Peak SAR (extrapolated) = 0.727 W/kg

**SAR(1 g) = 0.484 W/kg; SAR(10 g) = 0.315 W/kg**

Maximum value of SAR (measured) = 0.646 W/kg



0 dB = 0.646 W/kg = -1.90 dBW/kg

## System Check\_Head\_835MHz

**DUT: D835V2-4d167**

Communication System: CW; Frequency: 835 MHz; Duty Cycle: 1:1

Medium: HSL\_850\_220415 Medium parameters used:  $f = 835 \text{ MHz}$ ;  $\sigma = 0.88 \text{ S/m}$ ;  $\epsilon_r = 42.33$ ;  $\rho = 1000 \text{ kg/m}^3$

Ambient Temperature :  $23.4 \text{ }^\circ\text{C}$ ; Liquid Temperature :  $22.4 \text{ }^\circ\text{C}$

DASY5 Configuration:

- Probe: EX3DV4 - SN3931; ConvF(9.8, 9.8, 9.8) @ 835 MHz; Calibrated: 2021/10/21
- Sensor-Surface: 1.4mm (Mechanical Surface Detection)
- Electronics: DAE4 Sn1399; Calibrated: 2022/2/28
- Phantom: SAM-Middle; Type: SAM; Serial: TP-1503
- Measurement SW: DASY52, Version 52.10 (4); SEMCAD X Version 14.6.14 (7483)

**Pin=50mW/Area Scan (61x61x1):** Interpolated grid:  $dx=1.500 \text{ mm}$ ,  $dy=1.500 \text{ mm}$

Maximum value of SAR (interpolated) =  $0.617 \text{ W/kg}$

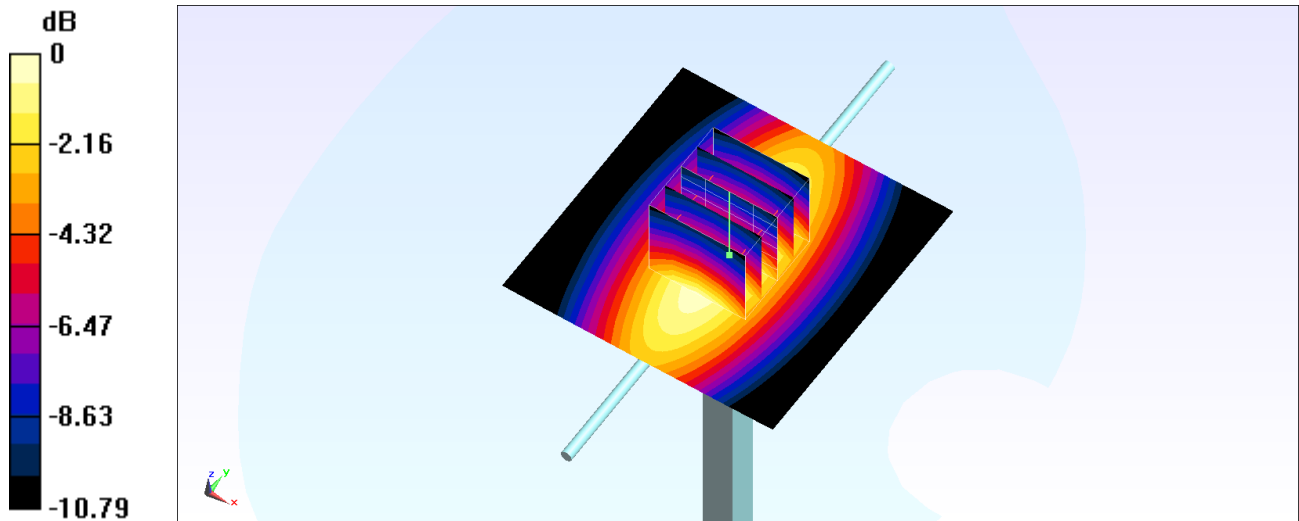
**Pin=50mW/Zoom Scan (5x5x7)/Cube 0:** Measurement grid:  $dx=8\text{mm}$ ,  $dy=8\text{mm}$ ,  $dz=5\text{mm}$

Reference Value =  $27.79 \text{ V/m}$ ; Power Drift =  $-0.05 \text{ dB}$

Peak SAR (extrapolated) =  $0.695 \text{ W/kg}$

**SAR(1 g) =  $0.455 \text{ W/kg}$ ; SAR(10 g) =  $0.297 \text{ W/kg}$**

Maximum value of SAR (measured) =  $0.615 \text{ W/kg}$



0 dB =  $0.615 \text{ W/kg} = -2.11 \text{ dBW/kg}$



## System Check\_Head\_835MHz

**DUT: D835V2-4d167**

Communication System: CW; Frequency: 835 MHz; Duty Cycle: 1:1

Medium: HSL\_850\_220416 Medium parameters used:  $f = 835$  MHz;  $\sigma = 0.886$  S/m;  $\epsilon_r = 42.237$ ;  $\rho = 1000$  kg/m<sup>3</sup>

Ambient Temperature : 23.6 °C ; Liquid Temperature : 22.6 °C

DASY5 Configuration:

- Probe: EX3DV4 - SN3931; ConvF(9.8, 9.8, 9.8) @ 835 MHz; Calibrated: 2021/10/21
- Sensor-Surface: 1.4mm (Mechanical Surface Detection)
- Electronics: DAE4 Sn1399; Calibrated: 2022/2/28
- Phantom: SAM-Middle; Type: SAM; Serial: TP-1503
- Measurement SW: DASY52, Version 52.10 (4); SEMCAD X Version 14.6.14 (7483)

**Pin=50mW/Area Scan (61x61x1):** Interpolated grid: dx=1.500 mm, dy=1.500 mm

Maximum value of SAR (interpolated) = 0.622 W/kg

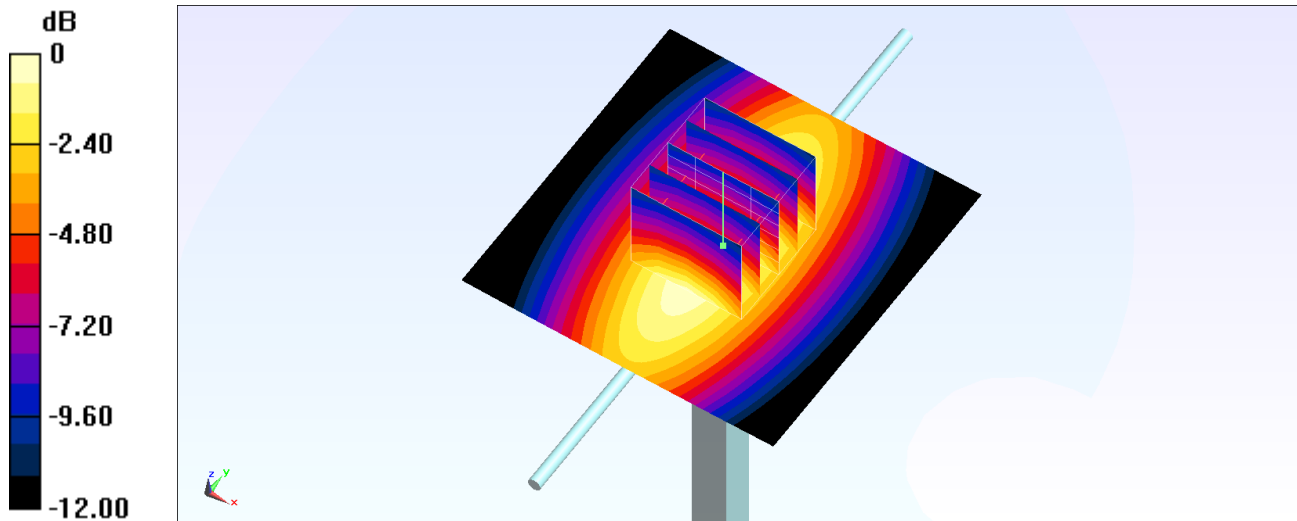
**Pin=50mW/Zoom Scan (5x5x7)/Cube 0:** Measurement grid: dx=8mm, dy=8mm, dz=5mm

Reference Value = 27.79 V/m; Power Drift = -0.05 dB

Peak SAR (extrapolated) = 0.700 W/kg

**SAR(1 g) = 0.458 W/kg; SAR(10 g) = 0.299 W/kg**

Maximum value of SAR (measured) = 0.619 W/kg



## System Check\_Head\_835MHz

### DUT: D835V2-499

Communication System: CW; Frequency: 835 MHz; Duty Cycle: 1:1

Medium: HSL\_850\_220420 Medium parameters used:  $f = 835 \text{ MHz}$ ;  $\sigma = 0.897 \text{ S/m}$ ;  $\epsilon_r = 41.505$ ;  $\rho = 1000 \text{ kg/m}^3$

Ambient Temperature :  $23.3 \text{ }^\circ\text{C}$ ; Liquid Temperature :  $22.3 \text{ }^\circ\text{C}$

#### DASY5 Configuration:

- Probe: EX3DV4 - SN3931; ConvF(9.8, 9.8, 9.8) @ 835 MHz; Calibrated: 2021/10/21
- Sensor-Surface: 1.4mm (Mechanical Surface Detection)
- Electronics: DAE4 Sn1399; Calibrated: 2022/2/28
- Phantom: SAM-Middle; Type: SAM; Serial: TP-1503
- Measurement SW: DASY52, Version 52.10 (4); SEMCAD X Version 14.6.14 (7483)

**Pin=50mW/Area Scan (61x61x1):** Interpolated grid:  $dx=1.500 \text{ mm}$ ,  $dy=1.500 \text{ mm}$

Maximum value of SAR (interpolated) =  $0.678 \text{ W/kg}$

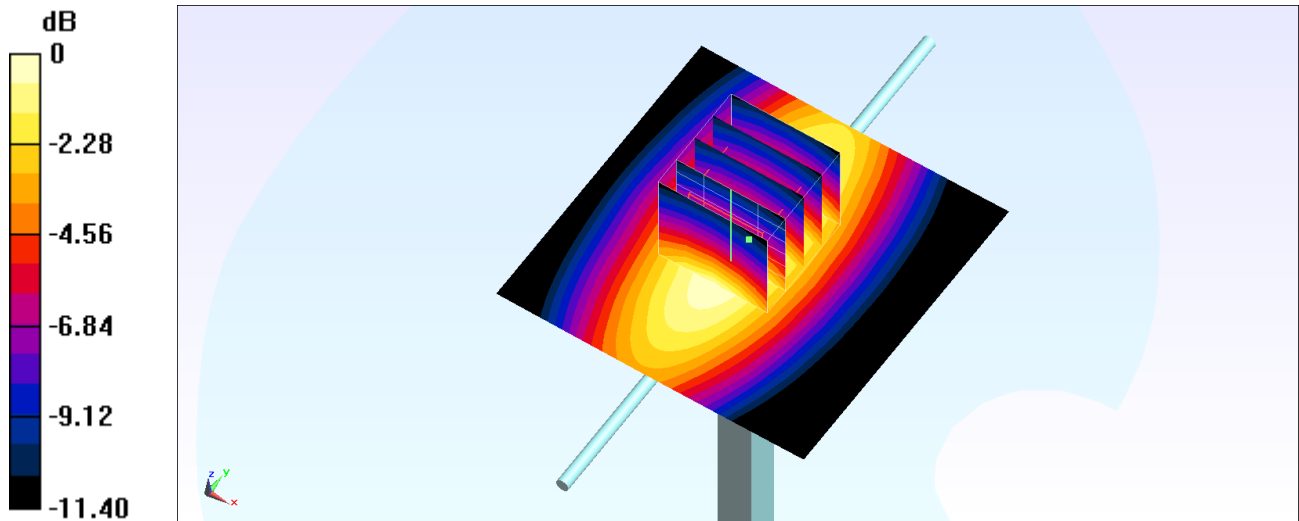
**Pin=50mW/Zoom Scan (5x5x7)/Cube 0:** Measurement grid:  $dx=8\text{mm}$ ,  $dy=8\text{mm}$ ,  $dz=5\text{mm}$

Reference Value =  $28.87 \text{ V/m}$ ; Power Drift =  $-0.19 \text{ dB}$

Peak SAR (extrapolated) =  $0.775 \text{ W/kg}$

**SAR(1 g) =  $0.494 \text{ W/kg}$ ; SAR(10 g) =  $0.317 \text{ W/kg}$**

Maximum value of SAR (measured) =  $0.677 \text{ W/kg}$



$0 \text{ dB} = 0.677 \text{ W/kg} = -1.69 \text{ dBW/kg}$

## System Check\_Head\_835MHz

**DUT: D835V2-4d167**

Communication System: CW; Frequency: 835 MHz; Duty Cycle: 1:1

Medium: HSL\_850\_220503 Medium parameters used:  $f = 835 \text{ MHz}$ ;  $\sigma = 0.908 \text{ S/m}$ ;  $\epsilon_r = 42.078$ ;  $\rho = 1000 \text{ kg/m}^3$

Ambient Temperature :  $23.6 \text{ }^\circ\text{C}$ ; Liquid Temperature :  $22.6 \text{ }^\circ\text{C}$

DASY5 Configuration:

- Probe: EX3DV4 - SN3931; ConvF(9.8, 9.8, 9.8) @ 835 MHz; Calibrated: 2021/10/21
- Sensor-Surface: 1.4mm (Mechanical Surface Detection)
- Electronics: DAE4 Sn1399; Calibrated: 2022/2/28
- Phantom: SAM-Middle; Type: SAM; Serial: TP-1503
- Measurement SW: DASY52, Version 52.10 (4); SEMCAD X Version 14.6.14 (7483)

**Pin=50mW/Area Scan (61x61x1):** Interpolated grid:  $dx=1.500 \text{ mm}$ ,  $dy=1.500 \text{ mm}$

Maximum value of SAR (interpolated) =  $0.624 \text{ W/kg}$

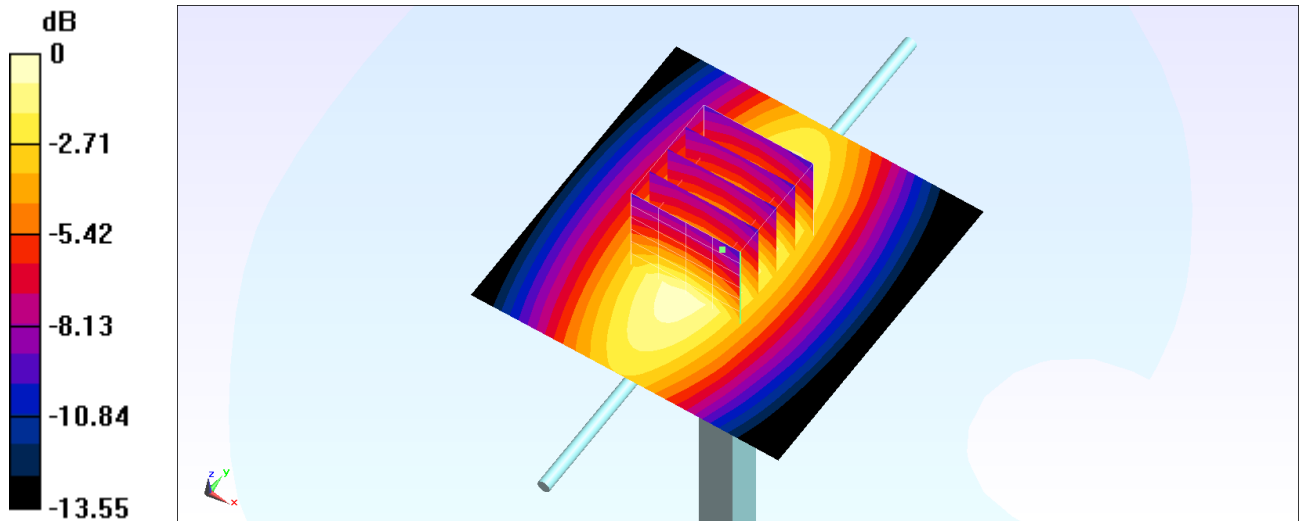
**Pin=50mW/Zoom Scan (5x5x7)/Cube 0:** Measurement grid:  $dx=8\text{mm}$ ,  $dy=8\text{mm}$ ,  $dz=5\text{mm}$

Reference Value =  $27.12 \text{ V/m}$ ; Power Drift =  $-0.01 \text{ dB}$

Peak SAR (extrapolated) =  $0.672 \text{ W/kg}$

**SAR(1 g) =  $0.486 \text{ W/kg}$ ; SAR(10 g) =  $0.329 \text{ W/kg}$**

Maximum value of SAR (measured) =  $0.620 \text{ W/kg}$



0 dB =  $0.620 \text{ W/kg}$  =  $-2.08 \text{ dBW/kg}$

## System Check\_Head\_835MHz

### DUT: D835V2-4d167

Communication System: CW; Frequency: 835 MHz; Duty Cycle: 1:1

Medium: HSL\_850\_220505 Medium parameters used:  $f = 835$  MHz;  $\sigma = 0.922$  S/m;  $\epsilon_r = 42.071$ ;  $\rho = 1000$  kg/m<sup>3</sup>

Ambient Temperature : 23.7 °C ; Liquid Temperature : 22.7 °C

DASY5 Configuration:

- Probe: EX3DV4 - SN3931; ConvF(9.8, 9.8, 9.8) @ 835 MHz; Calibrated: 2021/10/21
- Sensor-Surface: 1.4mm (Mechanical Surface Detection)
- Electronics: DAE4 Sn1399; Calibrated: 2022/2/28
- Phantom: SAM-Middle; Type: SAM; Serial: TP-1503
- Measurement SW: DASY52, Version 52.10 (4); SEMCAD X Version 14.6.14 (7483)

**Pin=50mW/Area Scan (61x61x1):** Interpolated grid: dx=1.500 mm, dy=1.500 mm

Maximum value of SAR (interpolated) = 0.646 W/kg

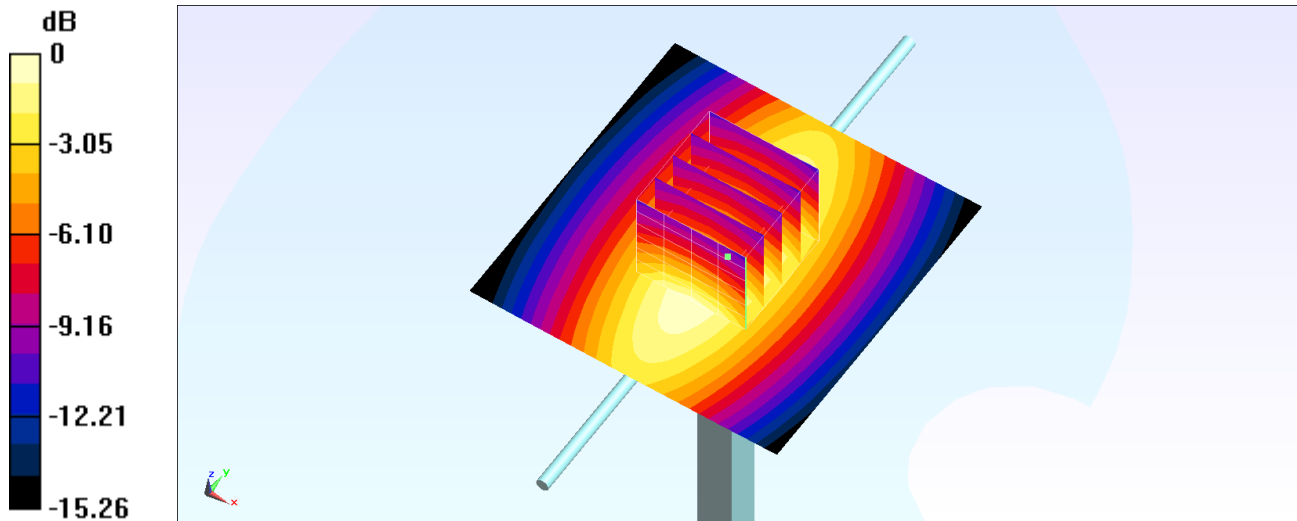
**Pin=50mW/Zoom Scan (5x5x7)/Cube 0:** Measurement grid: dx=8mm, dy=8mm, dz=5mm

Reference Value = 27.79 V/m; Power Drift = -0.02 dB

Peak SAR (extrapolated) = 0.728 W/kg

**SAR(1 g) = 0.477 W/kg; SAR(10 g) = 0.311 W/kg**

Maximum value of SAR (measured) = 0.644 W/kg



0 dB = 0.644 W/kg = -1.91 dBW/kg

## System Check\_Head\_1750MHz

### DUT: D1750V2-1068

Communication System: CW; Frequency: 1750 MHz; Duty Cycle: 1:1

Medium: HSL\_1750\_220415 Medium parameters used:  $f = 1750$  MHz;  $\sigma = 1.36$  S/m;  $\epsilon_r = 40.632$ ;  $\rho = 1000$  kg/m<sup>3</sup>

Ambient Temperature : 23.6 °C ; Liquid Temperature : 22.6 °C

DASY5 Configuration:

- Probe: EX3DV4 - SN3931; ConvF(8.6, 8.6, 8.6) @ 1750 MHz; Calibrated: 2021/10/21
- Sensor-Surface: 1.4mm (Mechanical Surface Detection)
- Electronics: DAE4 Sn1399; Calibrated: 2022/2/28
- Phantom: SAM-Middle; Type: SAM; Serial: TP-1503
- Measurement SW: DASY52, Version 52.10 (4); SEMCAD X Version 14.6.14 (7483)

**Pin=50mW/Area Scan (61x61x1):** Interpolated grid: dx=1.500 mm, dy=1.500 mm

Maximum value of SAR (interpolated) = 2.81 W/kg

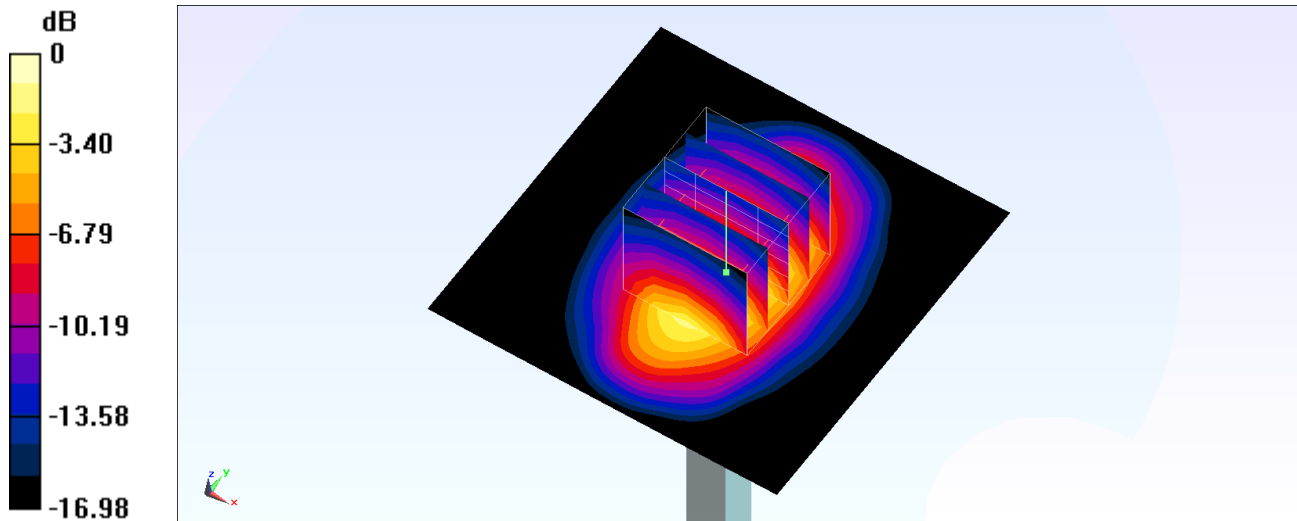
**Pin=50mW/Zoom Scan (5x5x7)/Cube 0:** Measurement grid: dx=8mm, dy=8mm, dz=5mm

Reference Value = 46.32 V/m; Power Drift = -0.04 dB

Peak SAR (extrapolated) = 3.28 W/kg

**SAR(1 g) = 1.84 W/kg; SAR(10 g) = 0.981 W/kg**

Maximum value of SAR (measured) = 2.80 W/kg



0 dB = 2.80 W/kg = 4.47 dBW/kg

## System Check\_Head\_1750MHz

### DUT: D1750V2-1068

Communication System: CW; Frequency: 1750 MHz; Duty Cycle: 1:1

Medium: HSL\_1750\_220417 Medium parameters used:  $f = 1750$  MHz;  $\sigma = 1.351$  S/m;  $\epsilon_r = 40.537$ ;  $\rho = 1000$  kg/m<sup>3</sup>

Ambient Temperature : 23.4 °C; Liquid Temperature : 22.4 °C

DASY5 Configuration:

- Probe: EX3DV4 - SN3931; ConvF(8.6, 8.6, 8.6) @ 1750 MHz; Calibrated: 2021/10/21
- Sensor-Surface: 1.4mm (Mechanical Surface Detection)
- Electronics: DAE4 Sn1399; Calibrated: 2022/2/28
- Phantom: SAM-Middle; Type: SAM; Serial: TP-1503
- Measurement SW: DASY52, Version 52.10 (4); SEMCAD X Version 14.6.14 (7483)

**Pin=50mW/Area Scan (61x61x1):** Interpolated grid: dx=1.500 mm, dy=1.500 mm

Maximum value of SAR (interpolated) = 2.79 W/kg

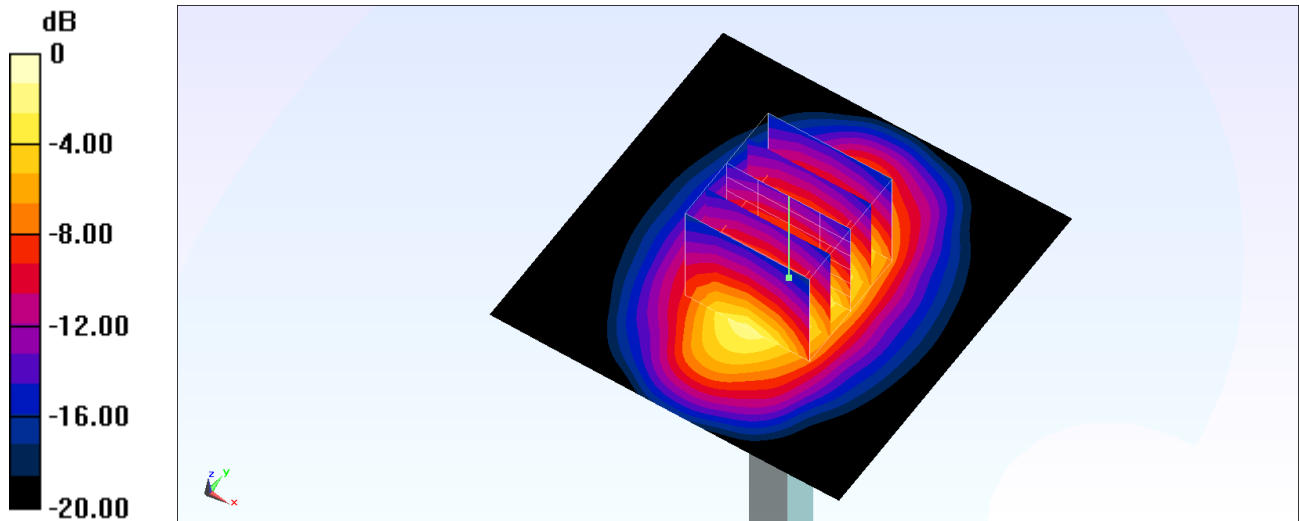
**Pin=50mW/Zoom Scan (5x5x7)/Cube 0:** Measurement grid: dx=8mm, dy=8mm, dz=5mm

Reference Value = 46.32 V/m; Power Drift = -0.02 dB

Peak SAR (extrapolated) = 3.26 W/kg

**SAR(1 g) = 1.83 W/kg; SAR(10 g) = 0.974 W/kg**

Maximum value of SAR (measured) = 2.78 W/kg



0 dB = 2.78 W/kg = 4.44 dBW/kg

## System Check\_Head\_1750MHz

### DUT: D1750V2-1068

Communication System: CW; Frequency: 1750 MHz; Duty Cycle: 1:1

Medium: HSL\_1750\_220421 Medium parameters used:  $f = 1750$  MHz;  $\sigma = 1.376$  S/m;  $\epsilon_r = 41.436$ ;  $\rho = 1000$  kg/m<sup>3</sup>

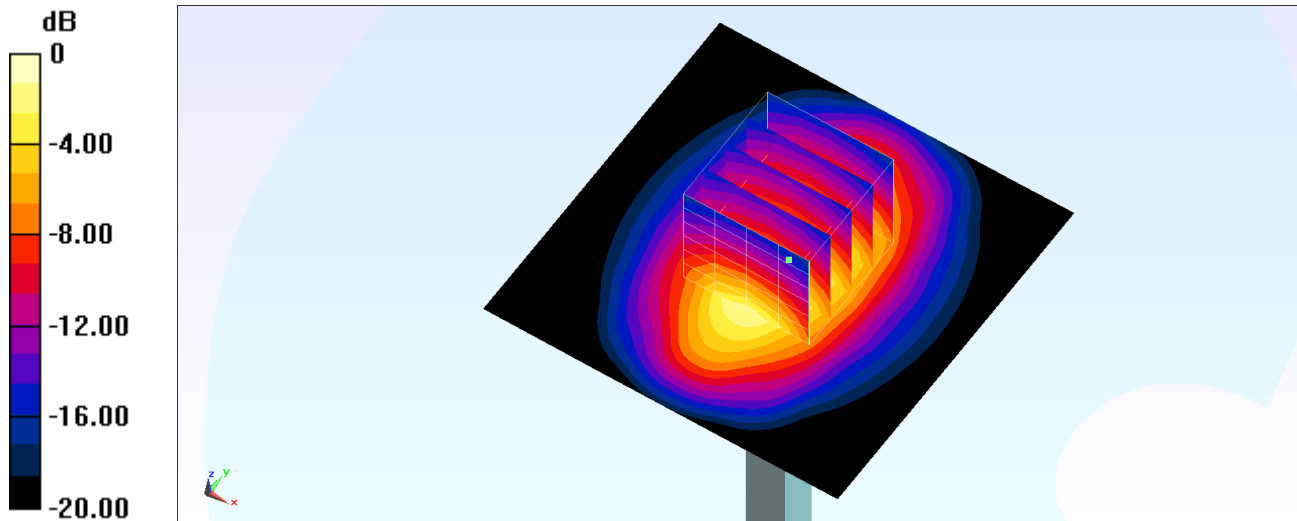
Ambient Temperature : 23.5 °C ; Liquid Temperature : 22.5 °C

DASY5 Configuration:

- Probe: EX3DV4 - SN3931; ConvF(8.6, 8.6, 8.6) @ 1750 MHz; Calibrated: 2021/10/21
- Sensor-Surface: 1.4mm (Mechanical Surface Detection)
- Electronics: DAE4 Sn1399; Calibrated: 2022/2/28
- Phantom: SAM-Middle; Type: SAM; Serial: TP-1503
- Measurement SW: DASY52, Version 52.10 (4); SEMCAD X Version 14.6.14 (7483)

**Pin=250mW/Area Scan (61x61x1):** Interpolated grid: dx=1.500 mm, dy=1.500 mm  
Maximum value of SAR (interpolated) = 13.8 W/kg

**Pin=250mW/Zoom Scan (5x5x7)/Cube 0:** Measurement grid: dx=8mm, dy=8mm, dz=5mm  
Reference Value = 102.8 V/m; Power Drift = -0.15 dB  
Peak SAR (extrapolated) = 16.5 W/kg  
**SAR(1 g) = 8.99 W/kg; SAR(10 g) = 4.73 W/kg**  
Maximum value of SAR (measured) = 14.0 W/kg



0 dB = 14.0 W/kg = 11.46 dBW/kg

## System Check\_Head\_1750MHz

### DUT: D1750V2-1068

Communication System: CW; Frequency: 1750 MHz; Duty Cycle: 1:1

Medium: HSL\_1750\_220423 Medium parameters used:  $f = 1750$  MHz;  $\sigma = 1.353$  S/m;  $\epsilon_r = 39.697$ ;  $\rho = 1000$  kg/m<sup>3</sup>

Ambient Temperature : 23.5 °C ; Liquid Temperature : 22.5 °C

DASY5 Configuration:

- Probe: EX3DV4 - SN3931; ConvF(8.6, 8.6, 8.6) @ 1750 MHz; Calibrated: 2021/10/21
- Sensor-Surface: 1.4mm (Mechanical Surface Detection)
- Electronics: DAE4 Sn1399; Calibrated: 2022/2/28
- Phantom: SAM-Middle; Type: SAM; Serial: TP-1503
- Measurement SW: DASY52, Version 52.10 (4); SEMCAD X Version 14.6.14 (7483)

**Pin=50mW/Area Scan (61x61x1):** Interpolated grid: dx=1.500 mm, dy=1.500 mm

Maximum value of SAR (interpolated) = 2.44 W/kg

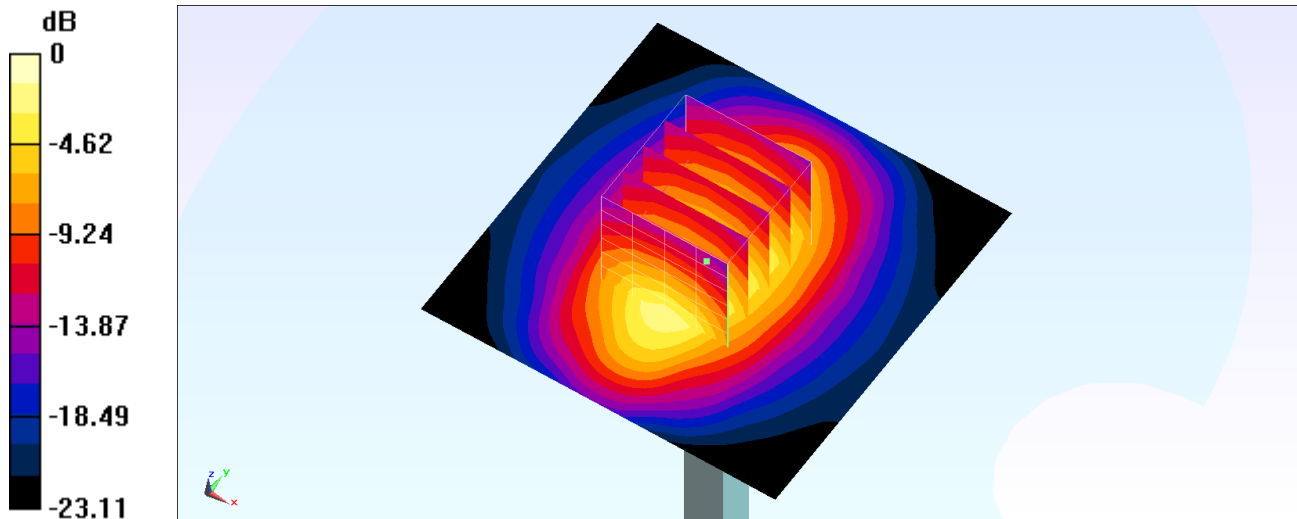
**Pin=50mW/Zoom Scan (5x5x7)/Cube 0:** Measurement grid: dx=8mm, dy=8mm, dz=5mm

Reference Value = 43.70 V/m; Power Drift = -0.02 dB

Peak SAR (extrapolated) = 2.76 W/kg

**SAR(1 g) = 1.7 W/kg; SAR(10 g) = 0.951 W/kg**

Maximum value of SAR (measured) = 2.42 W/kg



0 dB = 2.42 W/kg = 3.84 dBW/kg



## System Check\_Head\_1750MHz

### DUT: D1750V2-1068

Communication System: CW; Frequency: 1750 MHz; Duty Cycle: 1:1

Medium: HSL\_1750\_220501 Medium parameters used:  $f = 1750$  MHz;  $\sigma = 1.338$  S/m;  $\epsilon_r = 39.73$ ;  $\rho = 1000$  kg/m<sup>3</sup>

Ambient Temperature : 23.5 °C ; Liquid Temperature : 22.5 °C

DASY5 Configuration:

- Probe: EX3DV4 - SN3931; ConvF(8.6, 8.6, 8.6) @ 1750 MHz; Calibrated: 2021/10/21
- Sensor-Surface: 1.4mm (Mechanical Surface Detection)
- Electronics: DAE4 Sn1399; Calibrated: 2022/2/28
- Phantom: SAM-Middle; Type: SAM; Serial: TP-1503
- Measurement SW: DASY52, Version 52.10 (4); SEMCAD X Version 14.6.14 (7483)

**Pin=250mW/Area Scan (61x61x1):** Interpolated grid: dx=1.500 mm, dy=1.500 mm

Maximum value of SAR (interpolated) = 14.1 W/kg

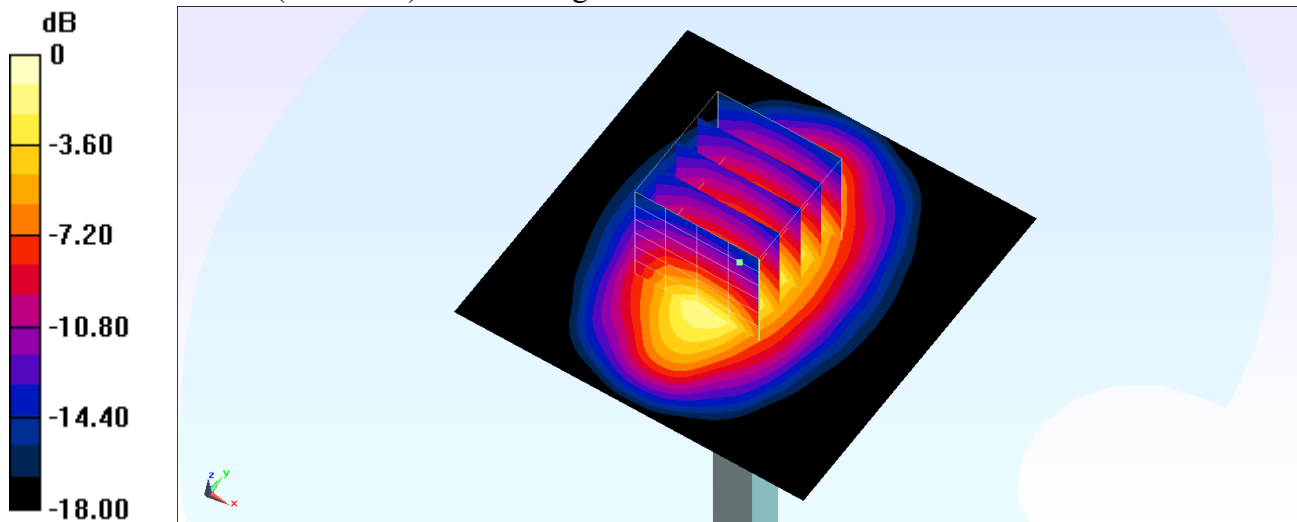
**Pin=250mW/Zoom Scan (5x5x7)/Cube 0:** Measurement grid: dx=8mm, dy=8mm, dz=5mm

Reference Value = 106.7 V/m; Power Drift = -0.02 dB

Peak SAR (extrapolated) = 16.6 W/kg

**SAR(1 g) = 9.34 W/kg; SAR(10 g) = 5.07 W/kg**

Maximum value of SAR (measured) = 13.7 W/kg



0 dB = 13.7 W/kg = 11.37 dBW/kg

## System Check\_Head\_1750MHz

### DUT: D1750V2-1068

Communication System: CW; Frequency: 1750 MHz; Duty Cycle: 1:1

Medium: HSL\_1750\_220502 Medium parameters used:  $f = 1750$  MHz;  $\sigma = 1.376$  S/m;  $\epsilon_r = 40.808$ ;  $\rho = 1000$  kg/m<sup>3</sup>

Ambient Temperature : 23.5 °C ; Liquid Temperature : 22.5 °C

DASY5 Configuration:

- Probe: EX3DV4 - SN3931; ConvF(8.6, 8.6, 8.6) @ 1750 MHz; Calibrated: 2021/10/21
- Sensor-Surface: 1.4mm (Mechanical Surface Detection)
- Electronics: DAE4 Sn1399; Calibrated: 2022/2/28
- Phantom: SAM-Middle; Type: SAM; Serial: TP-1503
- Measurement SW: DASY52, Version 52.10 (4); SEMCAD X Version 14.6.14 (7483)

**Pin=50mW/Area Scan (61x61x1):** Interpolated grid: dx=1.500 mm, dy=1.500 mm

Maximum value of SAR (interpolated) = 2.49 W/kg

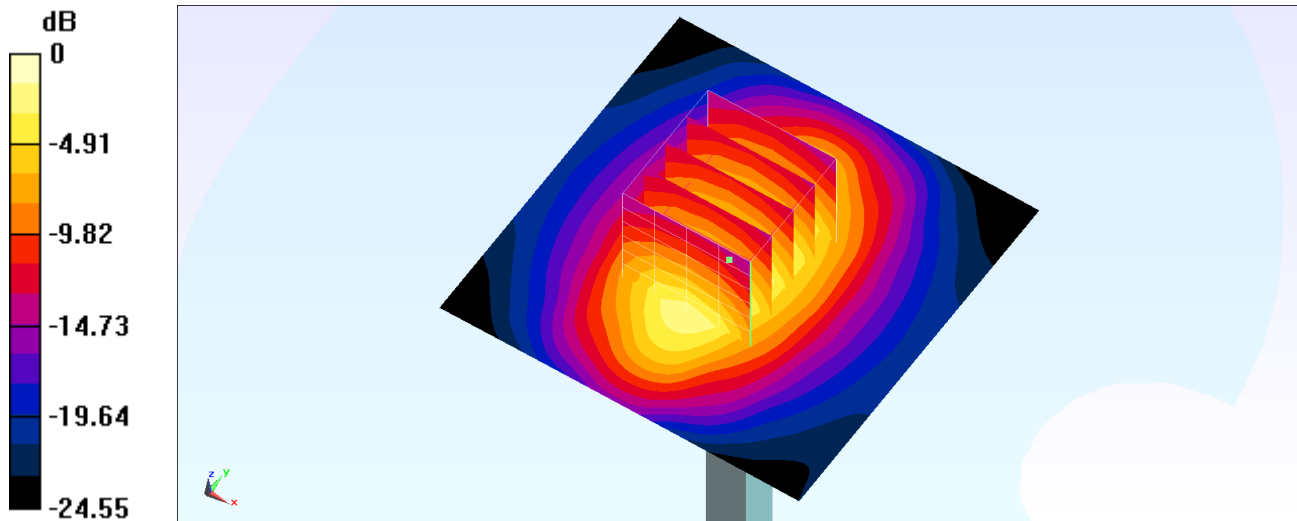
**Pin=50mW/Zoom Scan (5x5x7)/Cube 0:** Measurement grid: dx=8mm, dy=8mm, dz=5mm

Reference Value = 43.70 V/m; Power Drift = -0.12 dB

Peak SAR (extrapolated) = 2.81 W/kg

**SAR(1 g) = 1.73 W/kg; SAR(10 g) = 0.967 W/kg**

Maximum value of SAR (measured) = 2.46 W/kg



0 dB = 2.46 W/kg = 3.91 dBW/kg

## System Check\_Head\_1750MHz

### DUT: D1750V2-1068

Communication System: CW; Frequency: 1750 MHz; Duty Cycle: 1:1

Medium: HSL\_1750\_220504 Medium parameters used:  $f = 1750$  MHz;  $\sigma = 1.385$  S/m;  $\epsilon_r = 39.624$ ;  $\rho = 1000$  kg/m<sup>3</sup>

Ambient Temperature : 23.2 °C; Liquid Temperature : 22.2 °C

DASY5 Configuration:

- Probe: EX3DV4 - SN3931; ConvF(8.6, 8.6, 8.6) @ 1750 MHz; Calibrated: 2021/10/21
- Sensor-Surface: 1.4mm (Mechanical Surface Detection)
- Electronics: DAE4 Sn1399; Calibrated: 2022/2/28
- Phantom: SAM-Middle; Type: SAM; Serial: TP-1503
- Measurement SW: DASY52, Version 52.10 (4); SEMCAD X Version 14.6.14 (7483)

**Pin=50mW/Area Scan (61x61x1):** Interpolated grid: dx=1.500 mm, dy=1.500 mm

Maximum value of SAR (interpolated) = 2.73 W/kg

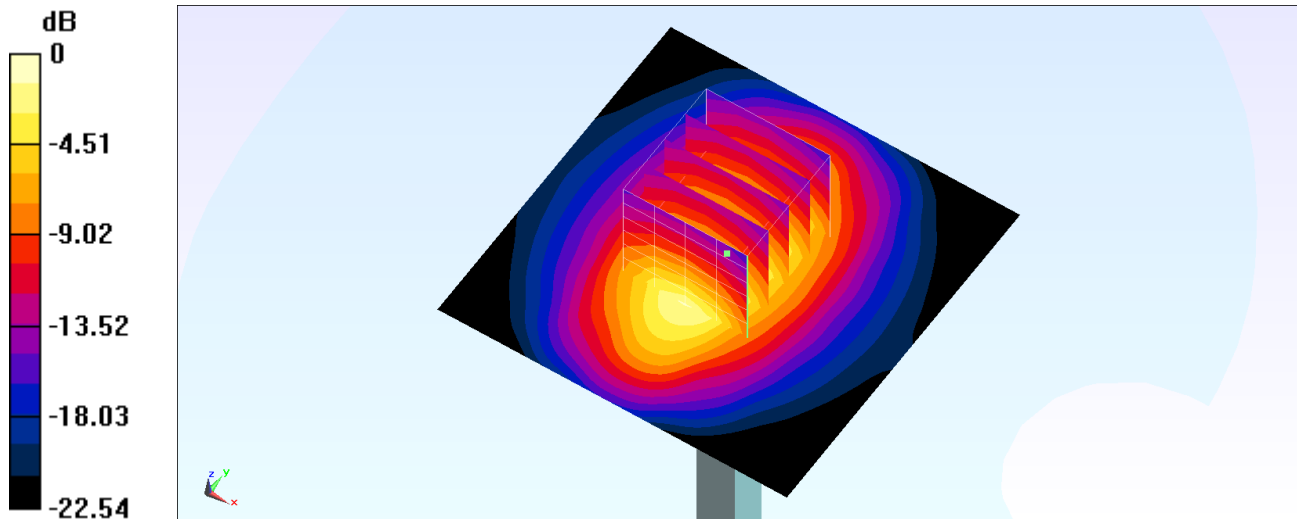
**Pin=50mW/Zoom Scan (5x5x7)/Cube 0:** Measurement grid: dx=8mm, dy=8mm, dz=5mm

Reference Value = 45.72 V/m; Power Drift = -0.04 dB

Peak SAR (extrapolated) = 3.22 W/kg

**SAR(1 g) = 1.82 W/kg; SAR(10 g) = 0.986 W/kg**

Maximum value of SAR (measured) = 2.76 W/kg



0 dB = 2.76 W/kg = 4.41 dBW/kg

## System Check\_Head\_1750MHz

### DUT: D1750V2-1068

Communication System: CW; Frequency: 1750 MHz; Duty Cycle: 1:1

Medium: HSL\_1750\_220509 Medium parameters used:  $f = 1750$  MHz;  $\sigma = 1.37$  S/m;  $\epsilon_r = 40.633$ ;  $\rho = 1000$  kg/m<sup>3</sup>

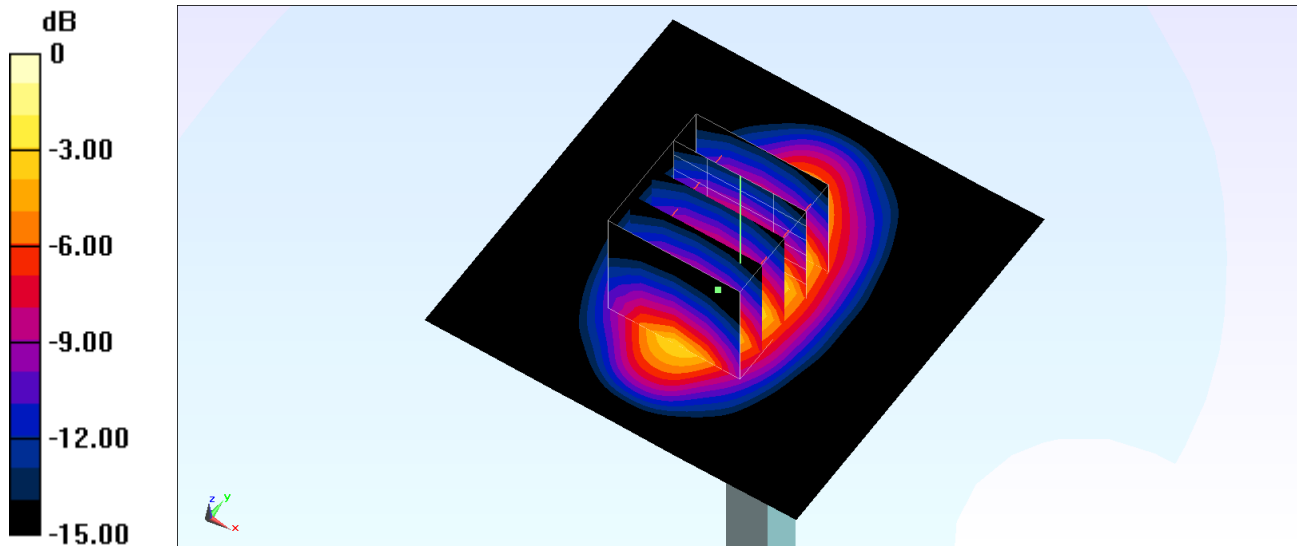
Ambient Temperature : 23.6 °C ; Liquid Temperature : 22.6 °C

DASY5 Configuration:

- Probe: EX3DV4 - SN7625; ConvF(8.57, 8.57, 8.57) @ 1750 MHz; Calibrated: 2022/1/27
- Sensor-Surface: 1.4mm (Mechanical Surface Detection)
- Electronics: DAE4 Sn1696; Calibrated: 2021/11/3
- Phantom: SAM\_Left; Type: SAM; Serial: TP:1682
- Measurement SW: DASY52, Version 52.10 (4); SEMCAD X Version 14.6.14 (7501)

**Pin=250mW/Area Scan (61x61x1):** Interpolated grid: dx=1.500 mm, dy=1.500 mm  
Maximum value of SAR (interpolated) = 14.2 W/kg

**Pin=250mW/Zoom Scan (5x5x7)/Cube 0:** Measurement grid: dx=8mm, dy=8mm, dz=5mm  
Reference Value = 103.4 V/m; Power Drift = -0.05 dB  
Peak SAR (extrapolated) = 16.2 W/kg  
**SAR(1 g) = 9.06 W/kg; SAR(10 g) = 4.83 W/kg**  
Maximum value of SAR (measured) = 13.7 W/kg



## System Check\_Head\_1750MHz

### DUT: D1750V2-1068

Communication System: CW; Frequency: 1750 MHz; Duty Cycle: 1:1

Medium: HSL\_1750\_220510 Medium parameters used:  $f = 1750$  MHz;  $\sigma = 1.373$  S/m;  $\epsilon_r = 40.618$ ;  $\rho = 1000$  kg/m<sup>3</sup>

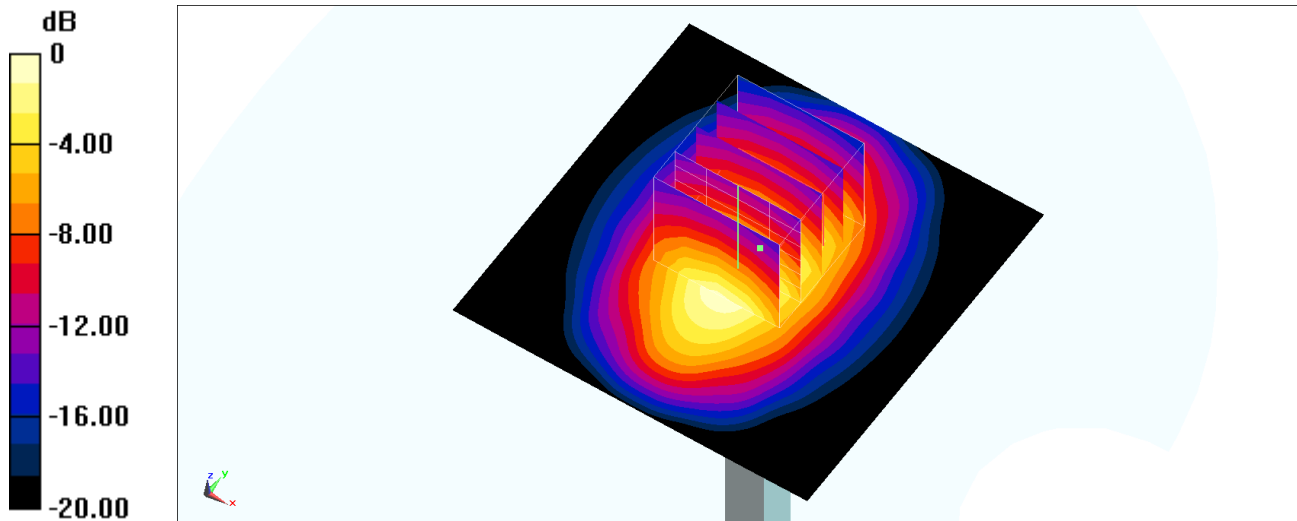
Ambient Temperature : 23.4 °C ; Liquid Temperature : 22.4 °C

DASY5 Configuration:

- Probe: ES3DV3 - SN3115; ConvF(5.3, 5.3, 5.3) @ 1750 MHz; Calibrated: 2021/11/23
- Sensor-Surface: 3mm (Mechanical Surface Detection)
- Electronics: DAE4 Sn656; Calibrated: 2022/1/19
- Phantom: SAM\_Left; Type: SAM; Serial: 1796
- Measurement SW: DASY52, Version 52.10 (4); SEMCAD X Version 14.6.14 (7501)

**Pin=50mW/Area Scan (61x61x1):** Interpolated grid: dx=1.500 mm, dy=1.500 mm  
Maximum value of SAR (interpolated) = 2.47 W/kg

**Pin=50mW/Zoom Scan (5x5x7)/Cube 0:** Measurement grid: dx=8mm, dy=8mm, dz=5mm  
Reference Value = 43.40 V/m; Power Drift = -0.12 dB  
Peak SAR (extrapolated) = 3.31 W/kg  
**SAR(1 g) = 1.94 W/kg; SAR(10 g) = 1.06 W/kg**  
Maximum value of SAR (measured) = 2.36 W/kg



0 dB = 2.36 W/kg = 3.73 dBW/kg

## System Check\_Head\_1750MHz

### DUT: D1750V2-1068

Communication System: CW; Frequency: 1750 MHz; Duty Cycle: 1:1

Medium: HSL\_1750\_220511 Medium parameters used:  $f = 1750$  MHz;  $\sigma = 1.373$  S/m;  $\epsilon_r = 41.027$ ;  $\rho = 1000$  kg/m<sup>3</sup>

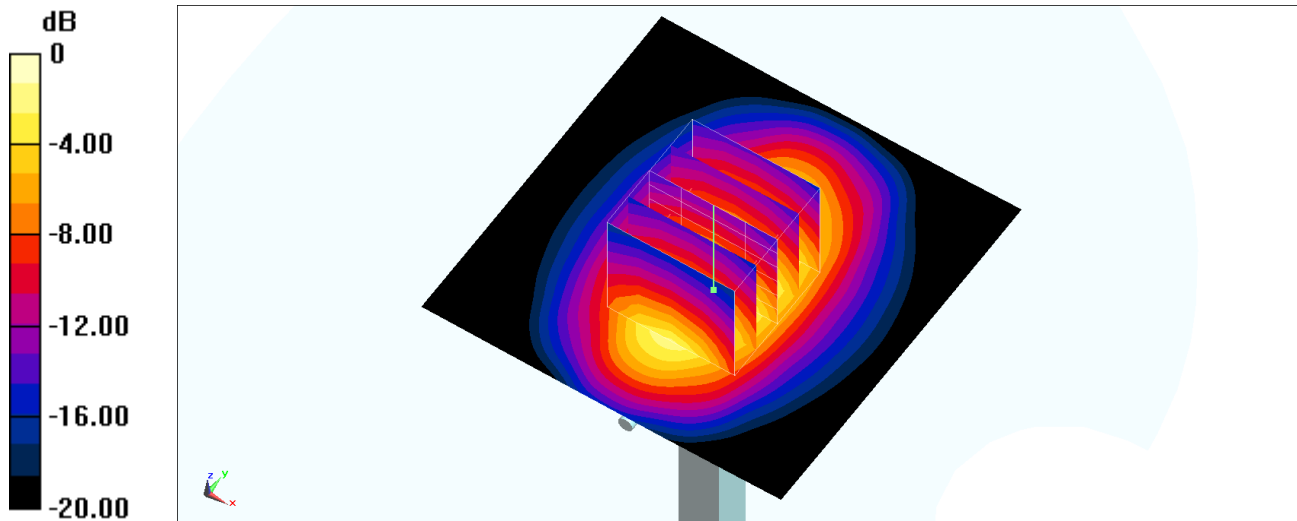
Ambient Temperature : 23.6 °C ; Liquid Temperature : 22.6 °C

DASY5 Configuration:

- Probe: ES3DV3 - SN3270; ConvF(5.43, 5.43, 5.43) @ 1750 MHz; Calibrated: 2021/9/21
- Sensor-Surface: 3mm (Mechanical Surface Detection)
- Electronics: DAE4 Sn1512; Calibrated: 2022/3/29
- Phantom: SAM\_Left; Type: SAM; Serial: 1796
- Measurement SW: DASY52, Version 52.10 (4); SEMCAD X Version 14.6.14 (7501)

**Pin=250mW/Area Scan (61x61x1):** Interpolated grid: dx=1.500 mm, dy=1.500 mm  
Maximum value of SAR (interpolated) = 12.7 W/kg

**Pin=250mW/Zoom Scan (5x5x7)/Cube 0:** Measurement grid: dx=8mm, dy=8mm, dz=5mm  
Reference Value = 92.78 V/m; Power Drift = -0.11 dB  
Peak SAR (extrapolated) = 16.2 W/kg  
**SAR(1 g) = 9.33 W/kg; SAR(10 g) = 5.04 W/kg**  
Maximum value of SAR (measured) = 11.5 W/kg



## System Check\_Head\_1750MHz

### DUT: D1750V2-1068

Communication System: CW; Frequency: 1750 MHz; Duty Cycle: 1:1

Medium: HSL\_1750\_220513 Medium parameters used:  $f = 1750$  MHz;  $\sigma = 1.372$  S/m;  $\epsilon_r = 41.013$ ;  $\rho = 1000$  kg/m<sup>3</sup>

Ambient Temperature : 23.3 °C; Liquid Temperature : 22.3 °C

DASY5 Configuration:

- Probe: EX3DV4 - SN3931; ConvF(8.6, 8.6, 8.6) @ 1750 MHz; Calibrated: 2021/10/21
- Sensor-Surface: 1.4mm (Mechanical Surface Detection)
- Electronics: DAE4 Sn1399; Calibrated: 2022/2/28
- Phantom: SAM\_Left; Type: SAM; Serial: 1796
- Measurement SW: DASY52, Version 52.10 (4); SEMCAD X Version 14.6.14 (7501)

**Pin=50mW/Area Scan (61x61x1):** Interpolated grid: dx=1.500 mm, dy=1.500 mm

Maximum value of SAR (interpolated) = 2.83 W/kg

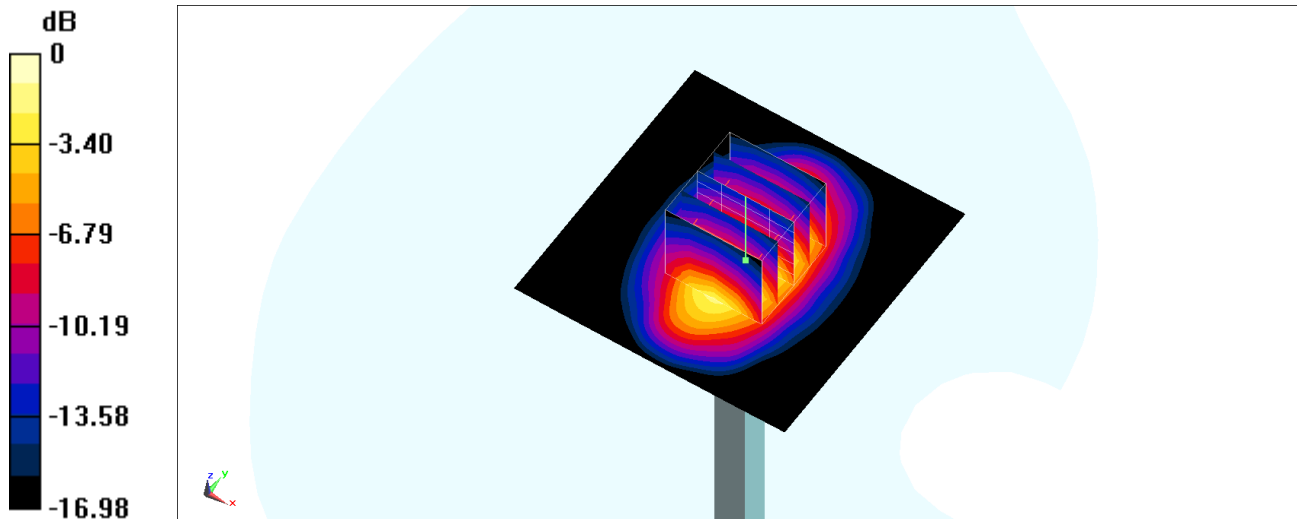
**Pin=50mW/Zoom Scan (5x5x7)/Cube 0:** Measurement grid: dx=8mm, dy=8mm, dz=5mm

Reference Value = 46.32 V/m; Power Drift = -0.04 dB

Peak SAR (extrapolated) = 3.31 W/kg

**SAR(1 g) = 1.85 W/kg; SAR(10 g) = 0.989 W/kg**

Maximum value of SAR (measured) = 2.82 W/kg



0 dB = 2.82 W/kg = 4.50 dBW/kg

## System Check\_Head\_1750MHz

### DUT: D1750V2-1068

Communication System: CW; Frequency: 1750 MHz; Duty Cycle: 1:1

Medium: HSL\_1750\_220516 Medium parameters used:  $f = 1750$  MHz;  $\sigma = 1.372$  S/m;  $\epsilon_r = 40.613$ ;  $\rho = 1000$  kg/m<sup>3</sup>

Ambient Temperature : 23.3 °C; Liquid Temperature : 22.3 °C

DASY5 Configuration:

- Probe: EX3DV4 - SN7694; ConvF(8.7, 8.7, 8.7) @ 1750 MHz; Calibrated: 2022/1/24
- Sensor-Surface: 1.4mm (Mechanical Surface Detection)
- Electronics: DAE4 Sn1424; Calibrated: 2022/1/20
- Phantom: SAM-Middle; Type: SAM; Serial: TP-1503
- Measurement SW: DASY52, Version 52.10 (4); SEMCAD X Version 14.6.14 (7483)

**Pin=50mW/Area Scan (61x61x1):** Interpolated grid: dx=1.500 mm, dy=1.500 mm

Maximum value of SAR (interpolated) = 2.68 W/kg

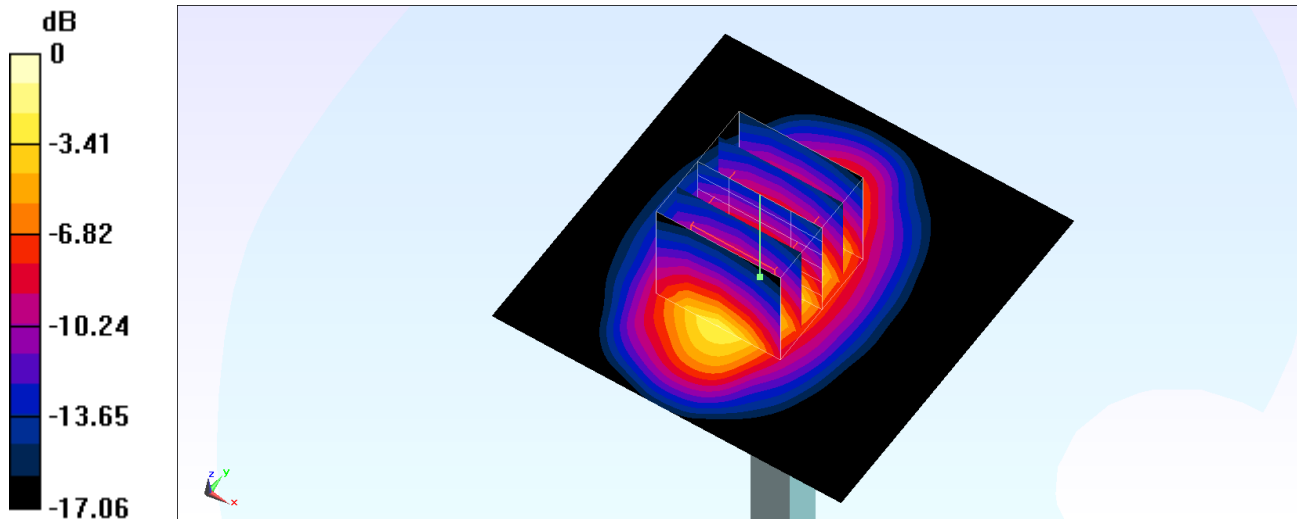
**Pin=50mW/Zoom Scan (5x5x7)/Cube 0:** Measurement grid: dx=8mm, dy=8mm, dz=5mm

Reference Value = 43.23 V/m; Power Drift = 0.04 dB

Peak SAR (extrapolated) = 3.28 W/kg

**SAR(1 g) = 1.74 W/kg; SAR(10 g) = 0.921 W/kg**

Maximum value of SAR (measured) = 2.72 W/kg



0 dB = 2.72 W/kg = 4.35 dBW/kg



## System Check\_Head\_1900MHz

### DUT: D1900V2-5d041

Communication System: CW; Frequency: 1900 MHz; Duty Cycle: 1:1

Medium: HSL\_1900\_220413 Medium parameters used:  $f = 1900$  MHz;  $\sigma = 1.446$  S/m;  $\epsilon_r = 41.149$ ;  $\rho = 1000$  kg/m<sup>3</sup>

Ambient Temperature : 23.5 °C ; Liquid Temperature : 22.5 °C

DASY5 Configuration:

- Probe: EX3DV4 - SN3931; ConvF(8.25, 8.25, 8.25) @ 1900 MHz; Calibrated: 2021/10/21
- Sensor-Surface: 1.4mm (Mechanical Surface Detection)
- Electronics: DAE4 Sn1399; Calibrated: 2022/2/28
- Phantom: SAM-Middle; Type: SAM; Serial: TP-1503
- Measurement SW: DASY52, Version 52.10 (4); SEMCAD X Version 14.6.14 (7483)

**Pin=50mW/Area Scan (61x61x1):** Interpolated grid: dx=1.500 mm, dy=1.500 mm

Maximum value of SAR (interpolated) = 3.09 W/kg

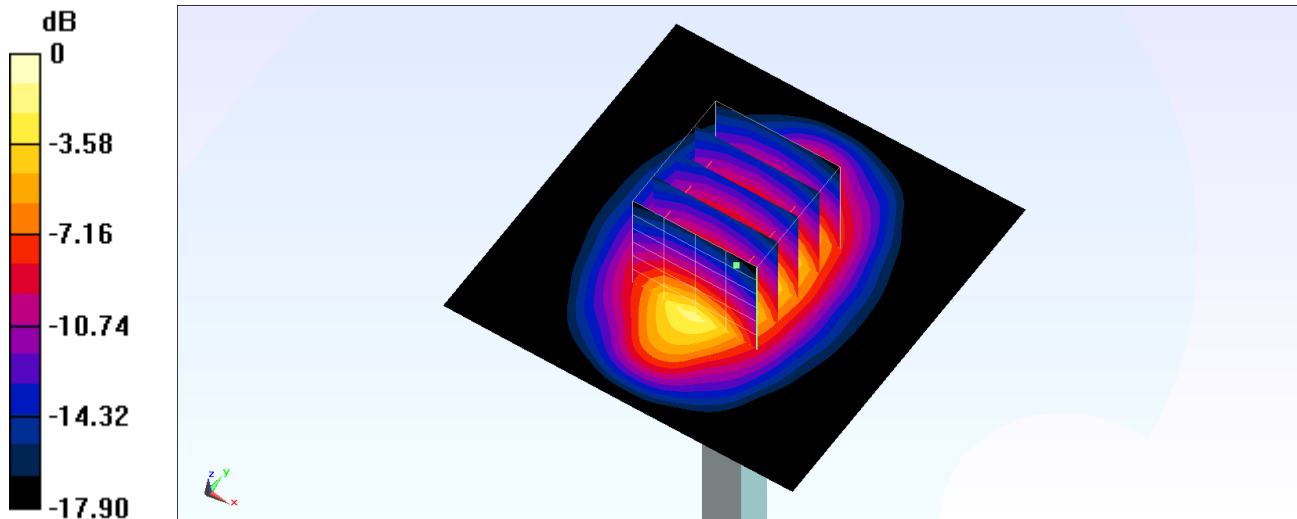
**Pin=50mW/Zoom Scan (5x5x7)/Cube 0:** Measurement grid: dx=8mm, dy=8mm, dz=5mm

Reference Value = 47.79 V/m; Power Drift = -0.06 dB

Peak SAR (extrapolated) = 3.64 W/kg

**SAR(1 g) = 1.99 W/kg; SAR(10 g) = 1.04 W/kg**

Maximum value of SAR (measured) = 3.08 W/kg



0 dB = 3.08 W/kg = 4.89 dBW/kg

## System Check\_Head\_1900MHz

### DUT: D1900V2-5d041

Communication System: CW; Frequency: 1900 MHz; Duty Cycle: 1:1

Medium: HSL\_1900\_220419 Medium parameters used:  $f = 1900$  MHz;  $\sigma = 1.435$  S/m;  $\epsilon_r = 41.003$ ;  $\rho = 1000$  kg/m<sup>3</sup>

Ambient Temperature : 23.3 °C; Liquid Temperature : 22.3 °C

DASY5 Configuration:

- Probe: EX3DV4 - SN3931; ConvF(8.25, 8.25, 8.25) @ 1900 MHz; Calibrated: 2021/10/21
- Sensor-Surface: 1.4mm (Mechanical Surface Detection)
- Electronics: DAE4 Sn1399; Calibrated: 2022/2/28
- Phantom: SAM-Middle; Type: SAM; Serial: TP-1503
- Measurement SW: DASY52, Version 52.10 (4); SEMCAD X Version 14.6.14 (7483)

**Pin=50mW/Area Scan (61x61x1):** Interpolated grid: dx=1.500 mm, dy=1.500 mm

Maximum value of SAR (interpolated) = 2.86 W/kg

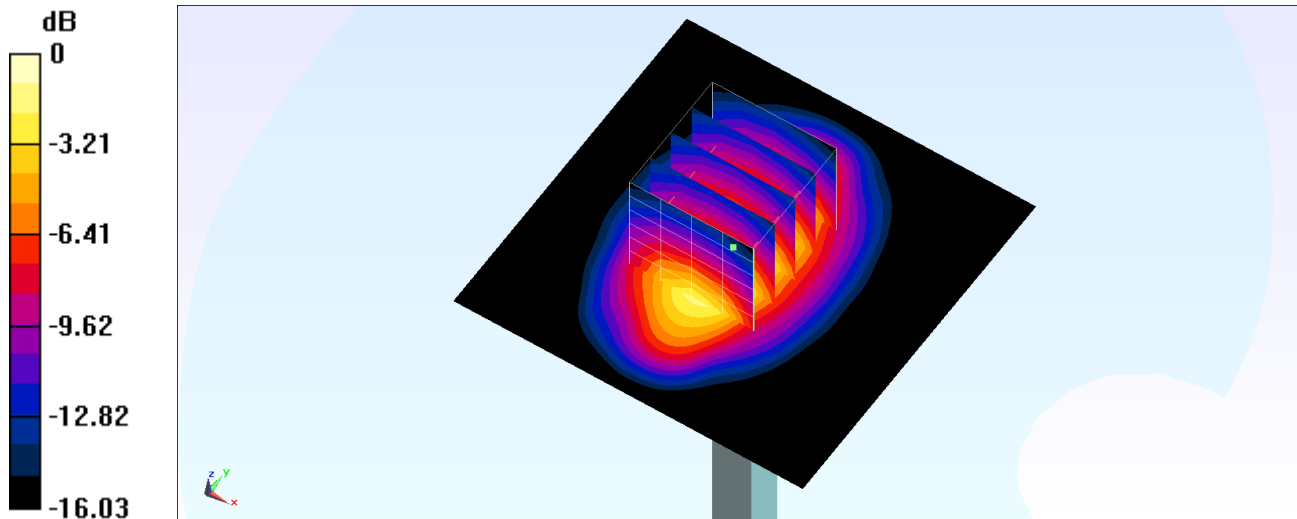
**Pin=50mW/Zoom Scan (5x5x7)/Cube 0:** Measurement grid: dx=8mm, dy=8mm, dz=5mm

Reference Value = 44.98 V/m; Power Drift = -0.01 dB

Peak SAR (extrapolated) = 3.25 W/kg

**SAR(1 g) = 1.96 W/kg; SAR(10 g) = 1.07 W/kg**

Maximum value of SAR (measured) = 2.86 W/kg



0 dB = 2.86 W/kg = 4.56 dBW/kg

## System Check\_Head\_1900MHz

### DUT: D1900V2-5d041

Communication System: CW; Frequency: 1900 MHz; Duty Cycle: 1:1

Medium: HSL\_1900\_220421 Medium parameters used:  $f = 1900$  MHz;  $\sigma = 1.41$  S/m;  $\epsilon_r = 40.505$ ;  $\rho = 1000$  kg/m<sup>3</sup>

Ambient Temperature : 23.5 °C ; Liquid Temperature : 22.5 °C

DASY5 Configuration:

- Probe: EX3DV4 - SN3931; ConvF(8.25, 8.25, 8.25) @ 1900 MHz; Calibrated: 2021/10/21
- Sensor-Surface: 1.4mm (Mechanical Surface Detection)
- Electronics: DAE4 Sn1399; Calibrated: 2022/2/28
- Phantom: SAM-Middle; Type: SAM; Serial: TP-1503
- Measurement SW: DASY52, Version 52.10 (4); SEMCAD X Version 14.6.14 (7483)

**Pin=50mW/Area Scan (61x61x1):** Interpolated grid: dx=1.500 mm, dy=1.500 mm

Maximum value of SAR (interpolated) = 2.81 W/kg

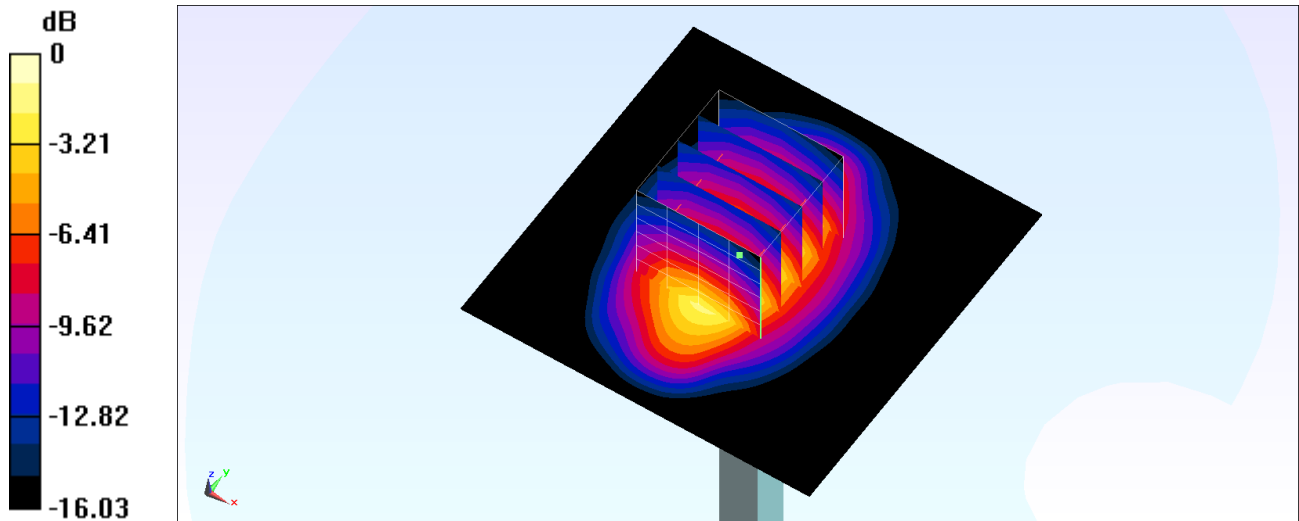
**Pin=50mW/Zoom Scan (5x5x7)/Cube 0:** Measurement grid: dx=8mm, dy=8mm, dz=5mm

Reference Value = 44.98 V/m; Power Drift = -0.12 dB

Peak SAR (extrapolated) = 3.20 W/kg

**SAR(1 g) = 1.93 W/kg; SAR(10 g) = 1.06 W/kg**

Maximum value of SAR (measured) = 2.81 W/kg



0 dB = 2.81 W/kg = 4.49 dBW/kg

## System Check\_Head\_1900MHz

### DUT: D1900V2-5d041

Communication System: CW; Frequency: 1900 MHz; Duty Cycle: 1:1

Medium: HSL\_1900\_220422 Medium parameters used:  $f = 1900$  MHz;  $\sigma = 1.449$  S/m;  $\epsilon_r = 39.269$ ;  $\rho = 1000$  kg/m<sup>3</sup>

Ambient Temperature : 23.4 °C; Liquid Temperature : 22.4 °C

DASY5 Configuration:

- Probe: EX3DV4 - SN3931; ConvF(8.25, 8.25, 8.25) @ 1900 MHz; Calibrated: 2021/10/21
- Sensor-Surface: 1.4mm (Mechanical Surface Detection)
- Electronics: DAE4 Sn1399; Calibrated: 2022/2/28
- Phantom: SAM-Middle; Type: SAM; Serial: TP-1503
- Measurement SW: DASY52, Version 52.10 (4); SEMCAD X Version 14.6.14 (7483)

**Pin=50mW/Area Scan (61x61x1):** Interpolated grid: dx=1.500 mm, dy=1.500 mm

Maximum value of SAR (interpolated) = 3.17 W/kg

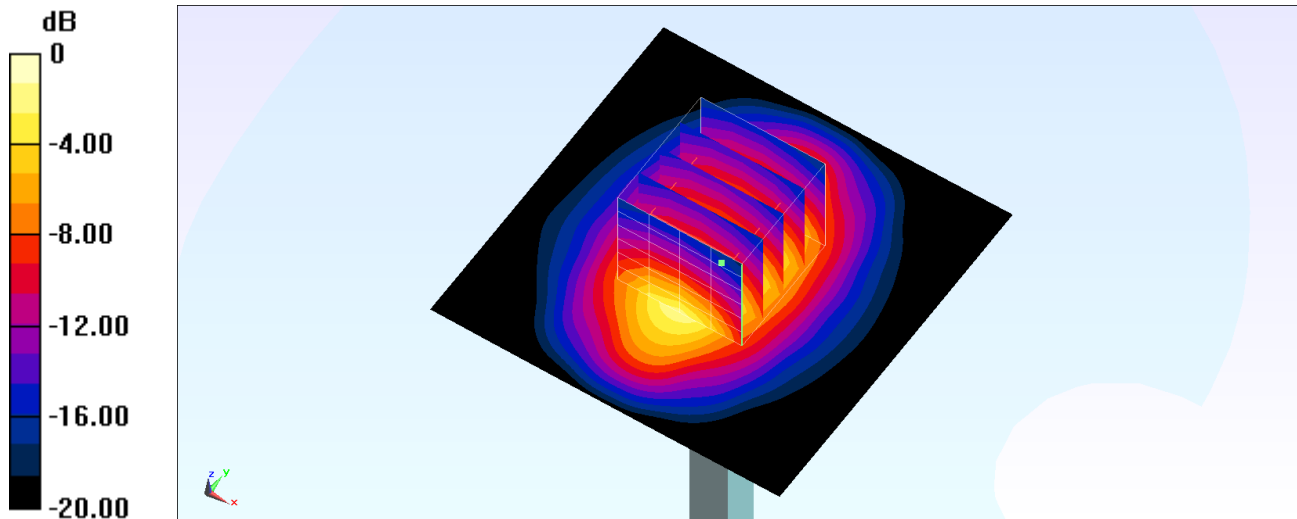
**Pin=50mW/Zoom Scan (5x5x7)/Cube 0:** Measurement grid: dx=8mm, dy=8mm, dz=5mm

Reference Value = 48.43 V/m; Power Drift = -0.16 dB

Peak SAR (extrapolated) = 3.73 W/kg

**SAR(1 g) = 2.02 W/kg; SAR(10 g) = 1.05 W/kg**

Maximum value of SAR (measured) = 3.14 W/kg



0 dB = 3.14 W/kg = 4.97 dBW/kg

## System Check\_Head\_1900MHz

### DUT: D1900V2-5d041

Communication System: CW; Frequency: 1900 MHz; Duty Cycle: 1:1

Medium: HSL\_1900\_220425 Medium parameters used:  $f = 1900$  MHz;  $\sigma = 1.424$  S/m;  $\epsilon_r = 39.533$ ;  $\rho = 1000$  kg/m<sup>3</sup>

Ambient Temperature : 23.7 °C ; Liquid Temperature : 22.7 °C

DASY5 Configuration:

- Probe: EX3DV4 - SN3931; ConvF(8.25, 8.25, 8.25) @ 1900 MHz; Calibrated: 2021/10/21
- Sensor-Surface: 1.4mm (Mechanical Surface Detection)
- Electronics: DAE4 Sn1399; Calibrated: 2022/2/28
- Phantom: SAM-Middle; Type: SAM; Serial: TP-1503
- Measurement SW: DASY52, Version 52.10 (4); SEMCAD X Version 14.6.14 (7483)

**Pin=50mW/Area Scan (61x61x1):** Interpolated grid: dx=1.500 mm, dy=1.500 mm

Maximum value of SAR (interpolated) = 3.32 W/kg

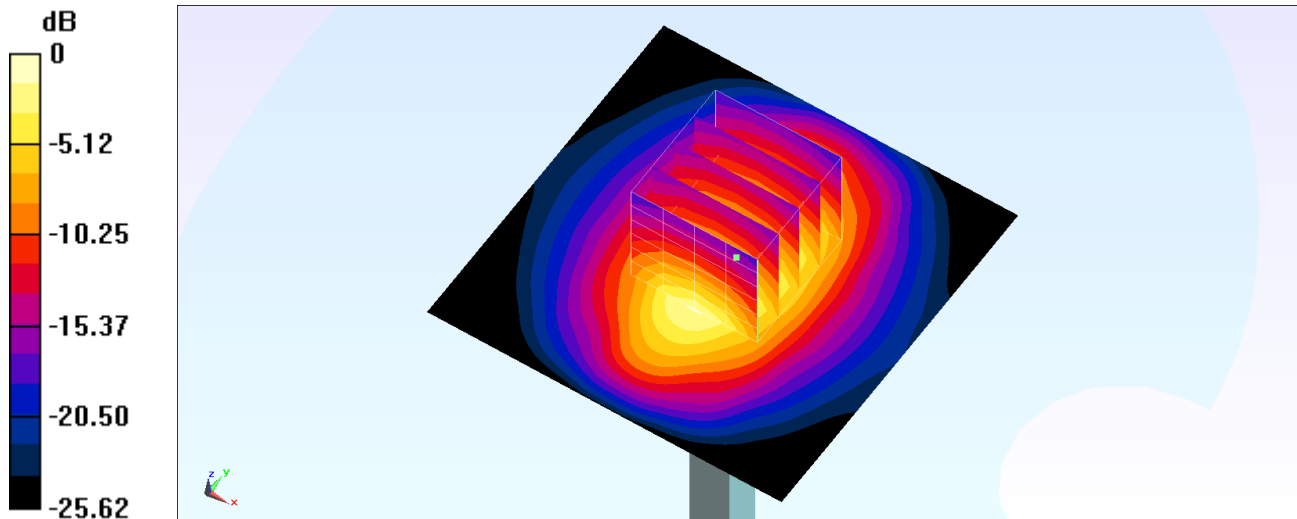
**Pin=50mW/Zoom Scan (5x5x7)/Cube 0:** Measurement grid: dx=8mm, dy=8mm, dz=5mm

Reference Value = 48.84 V/m; Power Drift = -0.09 dB

Peak SAR (extrapolated) = 4.11 W/kg

**SAR(1 g) = 2.1 W/kg; SAR(10 g) = 1.06 W/kg**

Maximum value of SAR (measured) = 3.38 W/kg



0 dB = 3.38 W/kg = 5.29 dBW/kg

## System Check\_Head\_1900MHz

### DUT: D1900V2-5d041

Communication System: CW; Frequency: 1900 MHz; Duty Cycle: 1:1

Medium: HSL\_1900\_220501 Medium parameters used:  $f = 1900$  MHz;  $\sigma = 1.391$  S/m;  $\epsilon_r = 39.136$ ;  $\rho = 1000$  kg/m<sup>3</sup>

Ambient Temperature : 23.4 °C ; Liquid Temperature : 22.4 °C

DASY5 Configuration:

- Probe: EX3DV4 - SN3931; ConvF(8.25, 8.25, 8.25) @ 1900 MHz; Calibrated: 2021/10/21
- Sensor-Surface: 1.4mm (Mechanical Surface Detection)
- Electronics: DAE4 Sn1399; Calibrated: 2022/2/28
- Phantom: SAM-Middle; Type: SAM; Serial: TP-1503
- Measurement SW: DASY52, Version 52.10 (4); SEMCAD X Version 14.6.14 (7483)

**Pin=50mW/Area Scan (61x61x1):** Interpolated grid: dx=1.500 mm, dy=1.500 mm

Maximum value of SAR (interpolated) = 2.78 W/kg

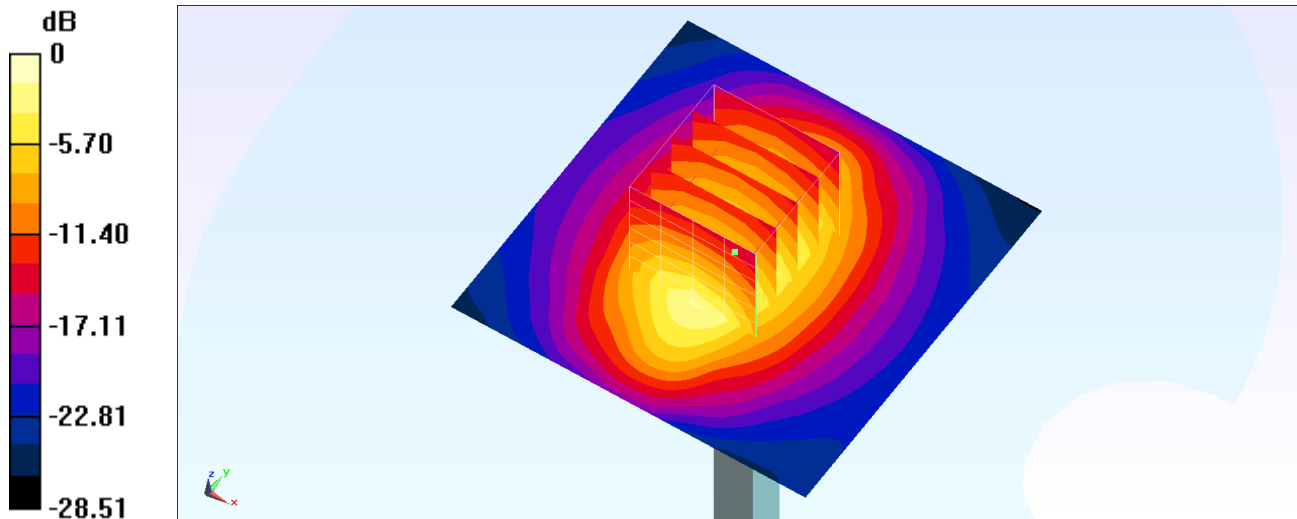
**Pin=50mW/Zoom Scan (5x5x7)/Cube 0:** Measurement grid: dx=8mm, dy=8mm, dz=5mm

Reference Value = 44.98 V/m; Power Drift = -0.01 dB

Peak SAR (extrapolated) = 3.15 W/kg

**SAR(1 g) = 1.9 W/kg; SAR(10 g) = 1.04 W/kg**

Maximum value of SAR (measured) = 2.77 W/kg



0 dB = 2.77 W/kg = 4.42 dBW/kg

## System Check\_Head\_1900MHz

### DUT: D1900V2-5d041

Communication System: CW; Frequency: 1900 MHz; Duty Cycle: 1:1

Medium: HSL\_1900\_220504 Medium parameters used:  $f = 1900$  MHz;  $\sigma = 1.398$  S/m;  $\epsilon_r = 39.26$ ;  $\rho = 1000$  kg/m<sup>3</sup>

Ambient Temperature : 23.2 °C; Liquid Temperature : 22.2 °C

DASY5 Configuration:

- Probe: EX3DV4 - SN3931; ConvF(8.25, 8.25, 8.25) @ 1900 MHz; Calibrated: 2021/10/21
- Sensor-Surface: 1.4mm (Mechanical Surface Detection)
- Electronics: DAE4 Sn1399; Calibrated: 2022/2/28
- Phantom: SAM-Middle; Type: SAM; Serial: TP-1503
- Measurement SW: DASY52, Version 52.10 (4); SEMCAD X Version 14.6.14 (7483)

**Pin=50mW/Area Scan (61x61x1):** Interpolated grid: dx=1.500 mm, dy=1.500 mm

Maximum value of SAR (interpolated) = 3.06 W/kg

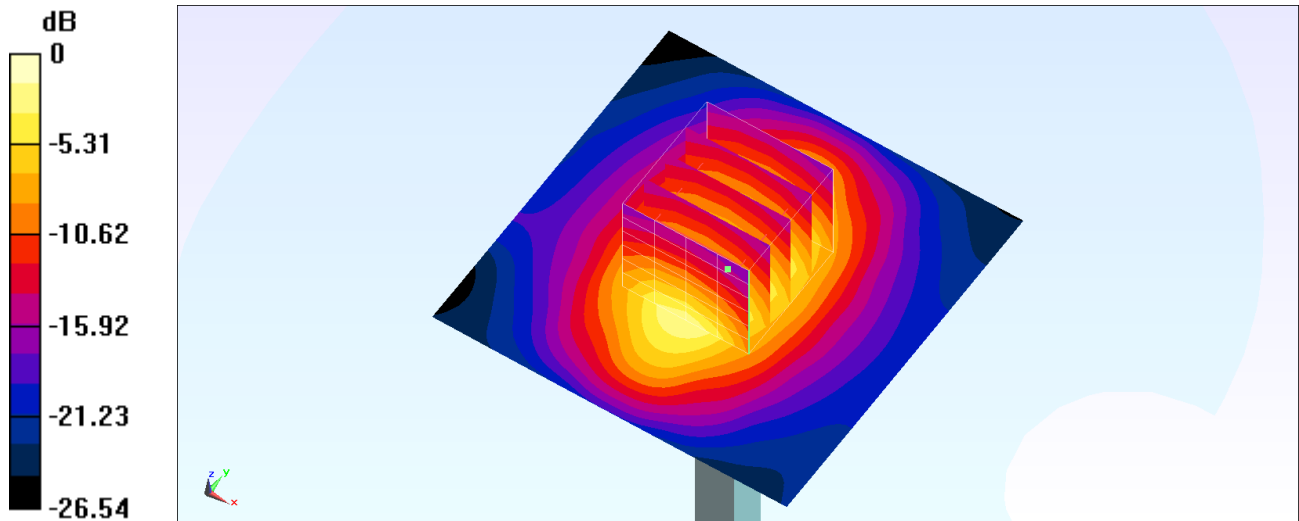
**Pin=50mW/Zoom Scan (5x5x7)/Cube 0:** Measurement grid: dx=8mm, dy=8mm, dz=5mm

Reference Value = 48.43 V/m; Power Drift = -0.12 dB

Peak SAR (extrapolated) = 3.60 W/kg

**SAR(1 g) = 1.95 W/kg; SAR(10 g) = 1.02 W/kg**

Maximum value of SAR (measured) = 3.03 W/kg



0 dB = 3.03 W/kg = 4.81 dBW/kg

## System Check\_Head\_1900MHz

### DUT: D1900V2-5d041

Communication System: CW; Frequency: 1900 MHz; Duty Cycle: 1:1

Medium: HSL\_1900\_220510 Medium parameters used:  $f = 1900$  MHz;  $\sigma = 1.374$  S/m;  $\epsilon_r = 40.28$ ;  $\rho = 1000$  kg/m<sup>3</sup>

Ambient Temperature : 23.5 °C ; Liquid Temperature : 22.5 °C

#### DASY5 Configuration:

- Probe: EX3DV4 - SN7625; ConvF(8.19, 8.19, 8.19) @ 1900 MHz; Calibrated: 2022/1/27
- Sensor-Surface: 1.4mm (Mechanical Surface Detection)
- Electronics: DAE4 Sn1696; Calibrated: 2021/11/3
- Phantom: SAM\_Left; Type: SAM; Serial: TP:1682
- Measurement SW: DASY52, Version 52.10 (4); SEMCAD X Version 14.6.14 (7501)

**Pin=250mW/Area Scan (61x61x1):** Interpolated grid: dx=1.500 mm, dy=1.500 mm

Maximum value of SAR (interpolated) = 14.7 W/kg

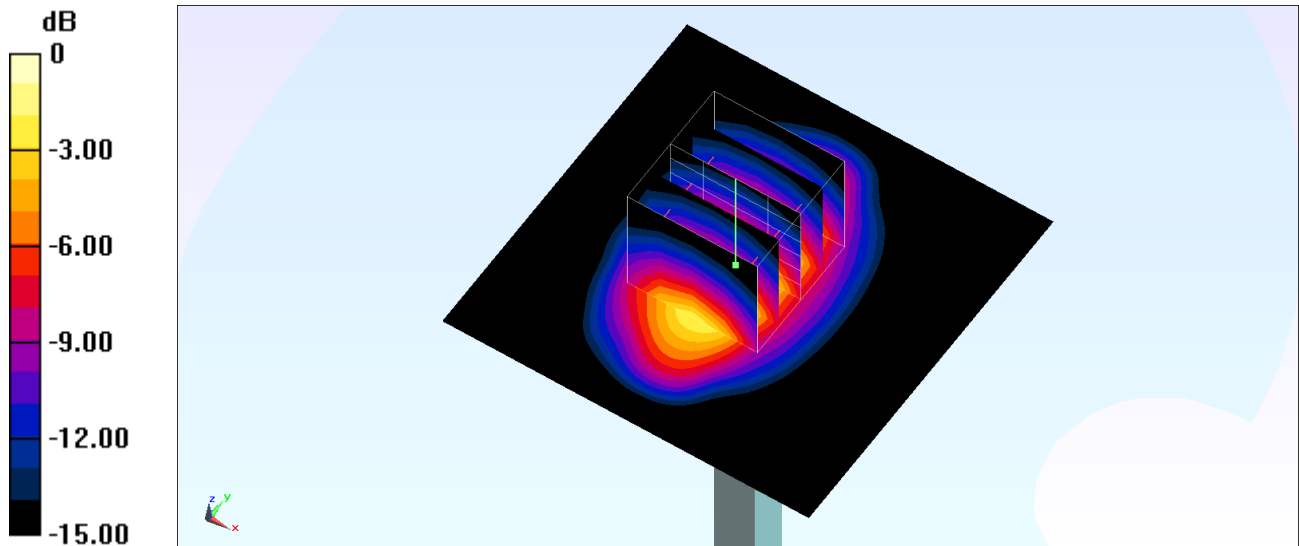
**Pin=250mW/Zoom Scan (5x5x7)/Cube 0:** Measurement grid: dx=8mm, dy=8mm, dz=5mm

Reference Value = 104.0 V/m; Power Drift = 0.16 dB

Peak SAR (extrapolated) = 18.2 W/kg

**SAR(1 g) = 9.57 W/kg; SAR(10 g) = 4.94 W/kg**

Maximum value of SAR (measured) = 15.2 W/kg



0 dB = 15.2 W/kg = 11.82 dBW/kg



## System Check\_Head\_1900MHz

### DUT: D1900V2-5d041

Communication System: CW ; Frequency: 1900 MHz;Duty Cycle: 1:1

Medium: HSL\_1900\_220510 Medium parameters used:  $f = 1900$  MHz;  $\sigma = 1.388$  S/m;  $\epsilon_r = 40.366$ ;  $\rho = 1000$  kg/m<sup>3</sup>

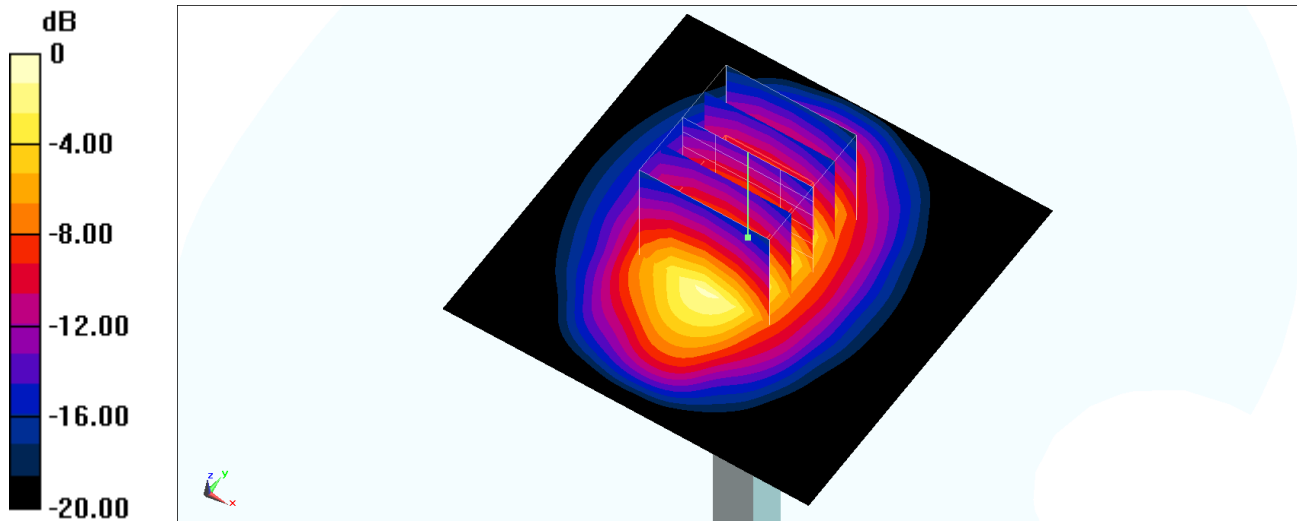
Ambient Temperature : 23.4 °C ; Liquid Temperature : 22.4 °C

DASY5 Configuration:

- Probe: ES3DV3 - SN3115; ConvF(5.06, 5.06, 5.06) @ 1900 MHz; Calibrated: 2021/11/23
- Sensor-Surface: 3mm (Mechanical Surface Detection)
- Electronics: DAE4 Sn656; Calibrated: 2022/1/19
- Phantom: SAM\_Left; Type: SAM; Serial: 1796
- Measurement SW: DASY52, Version 52.10 (4);SEMCAD X Version 14.6.14 (7501)

**Pin=250mW/Area Scan (61x61x1):** Interpolated grid: dx=1.500 mm, dy=1.500 mm  
Maximum value of SAR (interpolated) = 12.9 W/kg

**Pin=250mW/Zoom Scan (5x5x7)/Cube 0:** Measurement grid: dx=8mm, dy=8mm, dz=5mm  
Reference Value = 94.44 V/m; Power Drift = 0.14 dB  
Peak SAR (extrapolated) = 18.4 W/kg  
**SAR(1 g) = 10 W/kg; SAR(10 g) = 5.22 W/kg**  
Maximum value of SAR (measured) = 12.6 W/kg



0 dB = 12.6 W/kg = 11.00 dBW/kg

## System Check\_Head\_1900MHz

### DUT: D1900V2-5d041

Communication System: CW; Frequency: 1900 MHz; Duty Cycle: 1:1

Medium: HSL\_1900\_220511 Medium parameters used:  $f = 1900$  MHz;  $\sigma = 1.382$  S/m;  $\epsilon_r = 40.52$ ;  $\rho = 1000$  kg/m<sup>3</sup>

Ambient Temperature : 23.6 °C ; Liquid Temperature : 22.6 °C

DASY5 Configuration:

- Probe: EX3DV4 - SN7625; ConvF(8.19, 8.19, 8.19) @ 1900 MHz; Calibrated: 2022/1/27
- Sensor-Surface: 1.4mm (Mechanical Surface Detection)
- Electronics: DAE4 Sn1696; Calibrated: 2021/11/3
- Phantom: SAM\_Left; Type: SAM; Serial: TP:1682
- Measurement SW: DASY52, Version 52.10 (4); SEMCAD X Version 14.6.14 (7501)

**Pin=250mW/Area Scan (61x61x1):** Interpolated grid: dx=1.500 mm, dy=1.500 mm

Maximum value of SAR (interpolated) = 14.9 W/kg

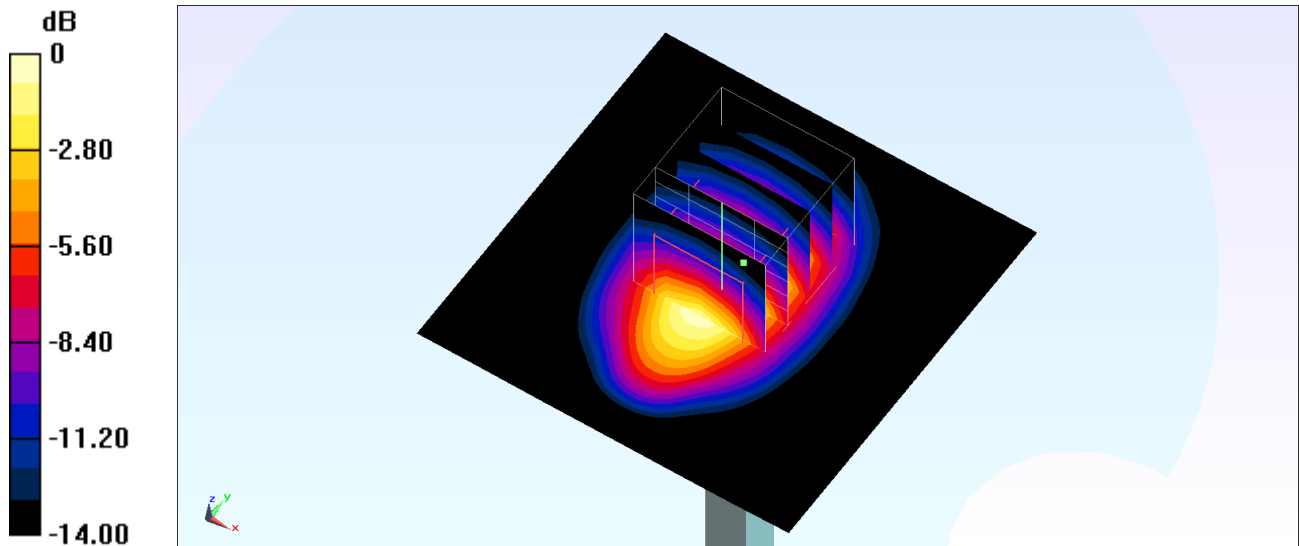
**Pin=250mW/Zoom Scan (5x5x7)/Cube 0:** Measurement grid: dx=8mm, dy=8mm, dz=5mm

Reference Value = 105.8 V/m; Power Drift = -0.08 dB

Peak SAR (extrapolated) = 16.9 W/kg

**SAR(1 g) = 9.35 W/kg; SAR(10 g) = 4.94 W/kg**

Maximum value of SAR (measured) = 14.2 W/kg



0 dB = 14.2 W/kg = 11.52 dBW/kg

## System Check\_Head\_1900MHz

### DUT: D1900V2-5d041

Communication System: CW; Frequency: 1900 MHz; Duty Cycle: 1:1

Medium: HSL\_1900\_220511 Medium parameters used:  $f = 1900$  MHz;  $\sigma = 1.45$  S/m;  $\epsilon_r = 39.479$ ;  $\rho = 1000$  kg/m<sup>3</sup>

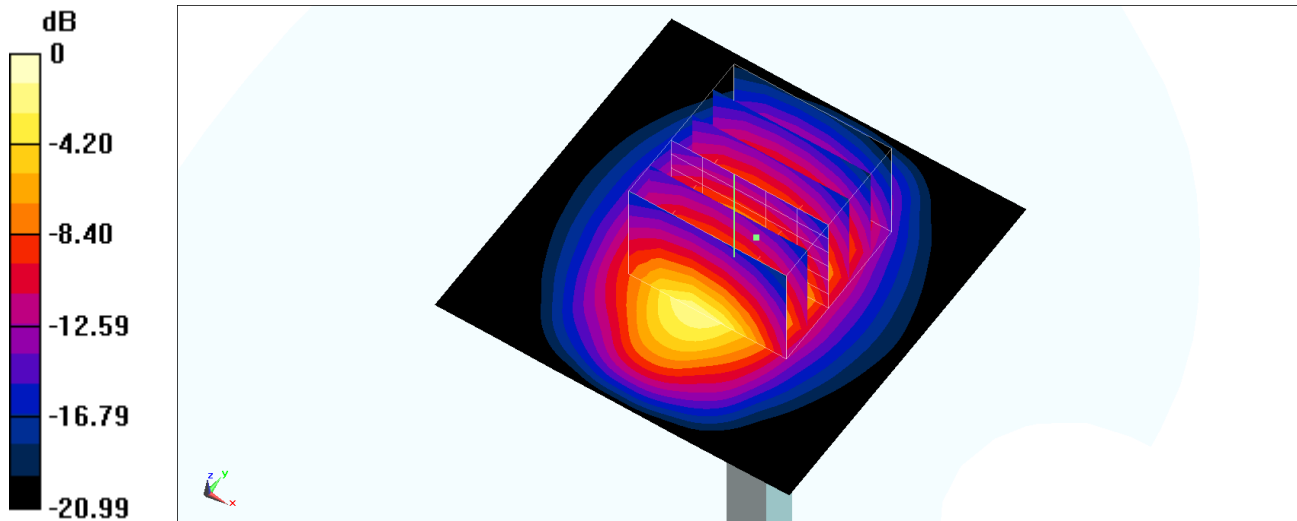
Ambient Temperature : 23.6 °C ; Liquid Temperature : 22.6 °C

DASY5 Configuration:

- Probe: ES3DV3 - SN3270; ConvF(5.26, 5.26, 5.26) @ 1900 MHz; Calibrated: 2021/9/21
- Sensor-Surface: 3mm (Mechanical Surface Detection)
- Electronics: DAE4 Sn1512; Calibrated: 2022/3/29
- Phantom: SAM\_Left; Type: SAM; Serial: 1796
- Measurement SW: DASY52, Version 52.10 (4); SEMCAD X Version 14.6.14 (7501)

**Pin=250mW/Area Scan (61x61x1):** Interpolated grid: dx=1.500 mm, dy=1.500 mm  
Maximum value of SAR (interpolated) = 13.6 W/kg

**Pin=250mW/Zoom Scan (6x6x7)/Cube 0:** Measurement grid: dx=8mm, dy=8mm, dz=5mm  
Reference Value = 96.08 V/m; Power Drift = -0.11 dB  
Peak SAR (extrapolated) = 18.6 W/kg  
**SAR(1 g) = 10.2 W/kg; SAR(10 g) = 5.39 W/kg**  
Maximum value of SAR (measured) = 12.7 W/kg



0 dB = 12.7 W/kg = 11.04 dBW/kg

## System Check\_Head\_1900MHz

### DUT: D1900V2-5d041

Communication System: CW; Frequency: 1900 MHz; Duty Cycle: 1:1

Medium: HSL\_1900\_220514 Medium parameters used:  $f = 1900$  MHz;  $\sigma = 1.447$  S/m;  $\epsilon_r = 39.446$ ;  $\rho = 1000$  kg/m<sup>3</sup>

Ambient Temperature : 23.1 °C; Liquid Temperature : 22.1 °C

DASY5 Configuration:

- Probe: EX3DV4 - SN3931; ConvF(8.25, 8.25, 8.25) @ 1900 MHz; Calibrated: 2021/10/21
- Sensor-Surface: 1.4mm (Mechanical Surface Detection)
- Electronics: DAE4 Sn1399; Calibrated: 2022/2/28
- Phantom: SAM\_Left; Type: SAM; Serial: 1796
- Measurement SW: DASY52, Version 52.10 (4); SEMCAD X Version 14.6.14 (7501)

**Pin=50mW/Area Scan (61x61x1):** Interpolated grid: dx=1.500 mm, dy=1.500 mm

Maximum value of SAR (interpolated) = 3.09 W/kg

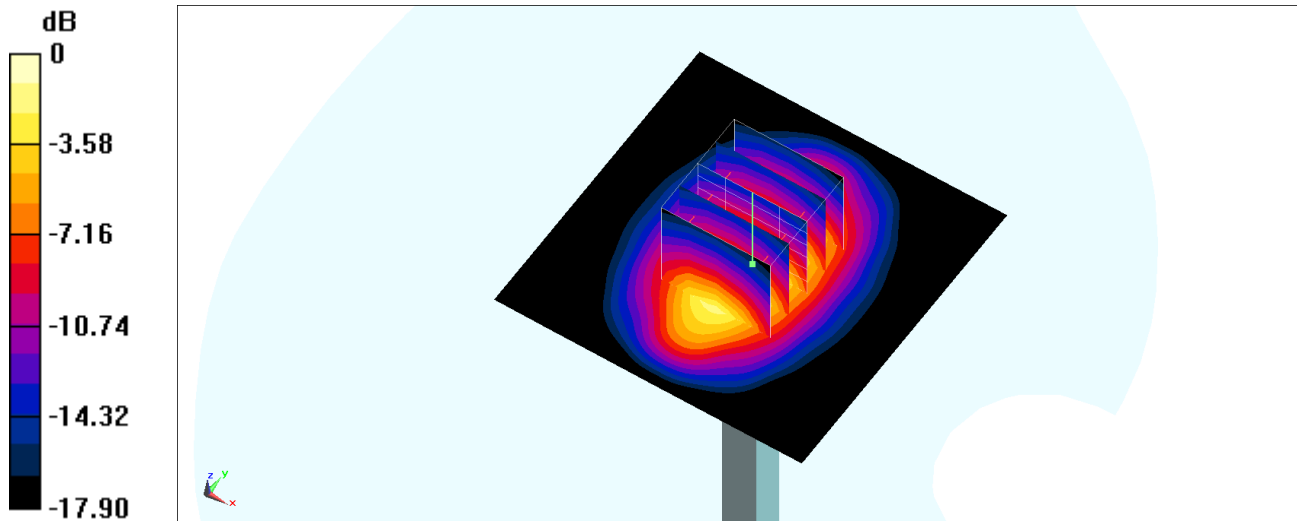
**Pin=50mW/Zoom Scan (5x5x7)/Cube 0:** Measurement grid: dx=8mm, dy=8mm, dz=5mm

Reference Value = 47.79 V/m; Power Drift = -0.05 dB

Peak SAR (extrapolated) = 3.64 W/kg

**SAR(1 g) = 1.99 W/kg; SAR(10 g) = 1.04 W/kg**

Maximum value of SAR (measured) = 3.08 W/kg



0 dB = 3.08 W/kg = 4.89 dBW/kg

## System Check\_Head\_1900MHz

### DUT: D1900V2-5d041

Communication System: CW; Frequency: 1900 MHz; Duty Cycle: 1:1

Medium: HSL\_1900\_220517 Medium parameters used:  $f = 1900$  MHz;  $\sigma = 1.406$  S/m;  $\epsilon_r = 39.861$ ;  $\rho = 1000$  kg/m<sup>3</sup>

Ambient Temperature : 23.3 °C; Liquid Temperature : 22.3 °C

DASY5 Configuration:

- Probe: EX3DV4 - SN7694; ConvF(8.38, 8.38, 8.38) @ 1900 MHz; Calibrated: 2022/1/24
- Sensor-Surface: 1.4mm (Mechanical Surface Detection)
- Electronics: DAE4 Sn1424; Calibrated: 2022/1/20
- Phantom: SAM-Middle; Type: SAM; Serial: TP-1503
- Measurement SW: DASY52, Version 52.10 (4); SEMCAD X Version 14.6.14 (7483)

**Pin=50mW/Area Scan (61x61x1):** Interpolated grid: dx=1.500 mm, dy=1.500 mm

Maximum value of SAR (interpolated) = 3.00 W/kg

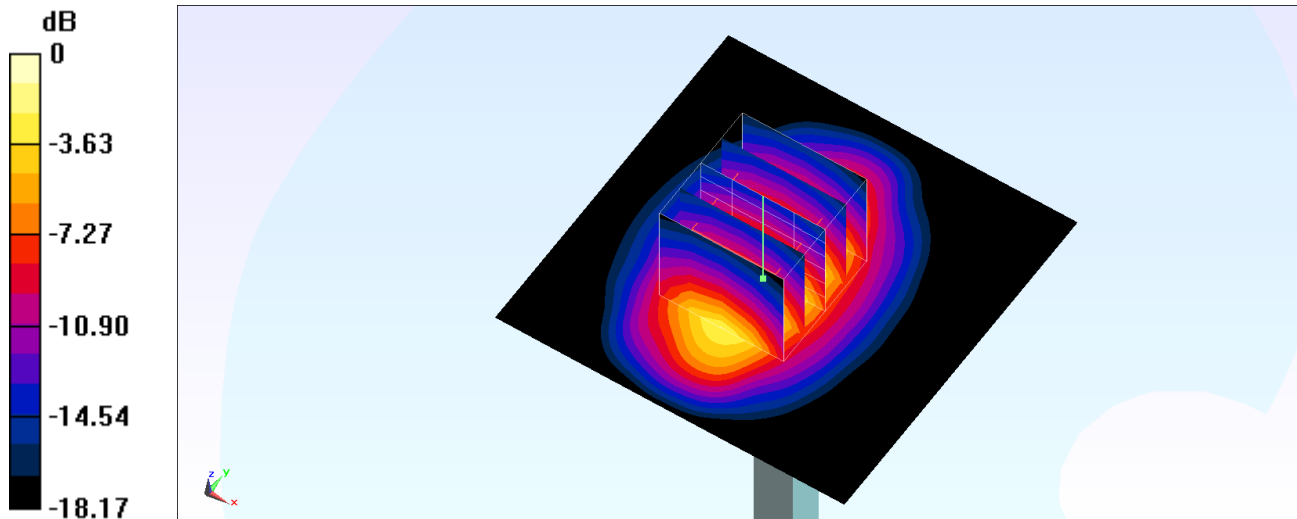
**Pin=50mW/Zoom Scan (5x5x7)/Cube 0:** Measurement grid: dx=8mm, dy=8mm, dz=5mm

Reference Value = 45.35 V/m; Power Drift = 0.10 dB

Peak SAR (extrapolated) = 3.68 W/kg

**SAR(1 g) = 1.92 W/kg; SAR(10 g) = 0.993 W/kg**

Maximum value of SAR (measured) = 3.06 W/kg



0 dB = 3.06 W/kg = 4.86 dBW/kg

## System Check\_Head\_2300MHz

### DUT: D2300V2-1006

Communication System: CW; Frequency: 2300 MHz; Duty Cycle: 1:1

Medium: HSL\_2300\_220414 Medium parameters used:  $f = 2300$  MHz;  $\sigma = 1.61$  S/m;  $\epsilon_r = 40.055$ ;  $\rho = 1000$  kg/m<sup>3</sup>

Ambient Temperature : 23.8 °C ; Liquid Temperature : 22.8 °C

DASY5 Configuration:

- Probe: EX3DV4 - SN3931; ConvF(7.77, 7.77, 7.77) @ 2300 MHz; Calibrated: 2021/10/21
- Sensor-Surface: 1.4mm (Mechanical Surface Detection)
- Electronics: DAE4 Sn1399; Calibrated: 2022/2/28
- Phantom: SAM-Middle; Type: SAM; Serial: TP-1503
- Measurement SW: DASY52, Version 52.10 (4); SEMCAD X Version 14.6.14 (7483)

**Pin=50mW/Area Scan (71x71x1):** Interpolated grid: dx=1.200 mm, dy=1.200 mm

Maximum value of SAR (interpolated) = 3.86 W/kg

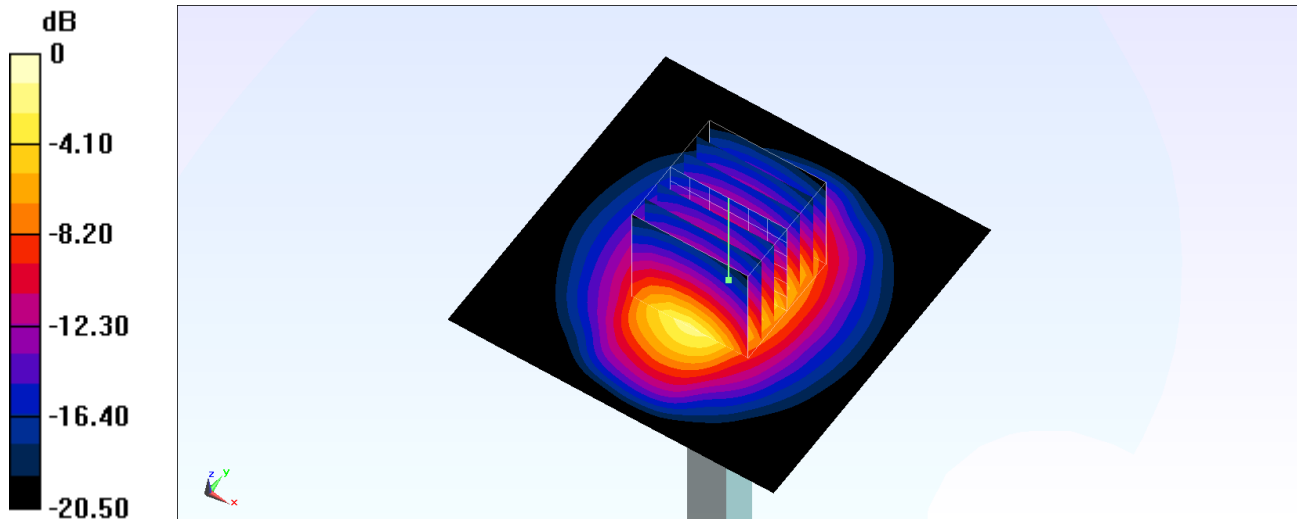
**Pin=50mW/Zoom Scan (7x7x7)/Cube 0:** Measurement grid: dx=5mm, dy=5mm, dz=5mm

Reference Value = 49.59 V/m; Power Drift = -0.13 dB

Peak SAR (extrapolated) = 4.59 W/kg

**SAR(1 g) = 2.36 W/kg; SAR(10 g) = 1.14 W/kg**

Maximum value of SAR (measured) = 3.80 W/kg



## System Check\_Head\_2300MHz

### DUT: D2300V2-1006

Communication System: CW; Frequency: 2300 MHz; Duty Cycle: 1:1

Medium: HSL\_2300\_220418 Medium parameters used:  $f = 2300$  MHz;  $\sigma = 1.612$  S/m;  $\epsilon_r = 40.068$ ;  $\rho = 1000$  kg/m<sup>3</sup>

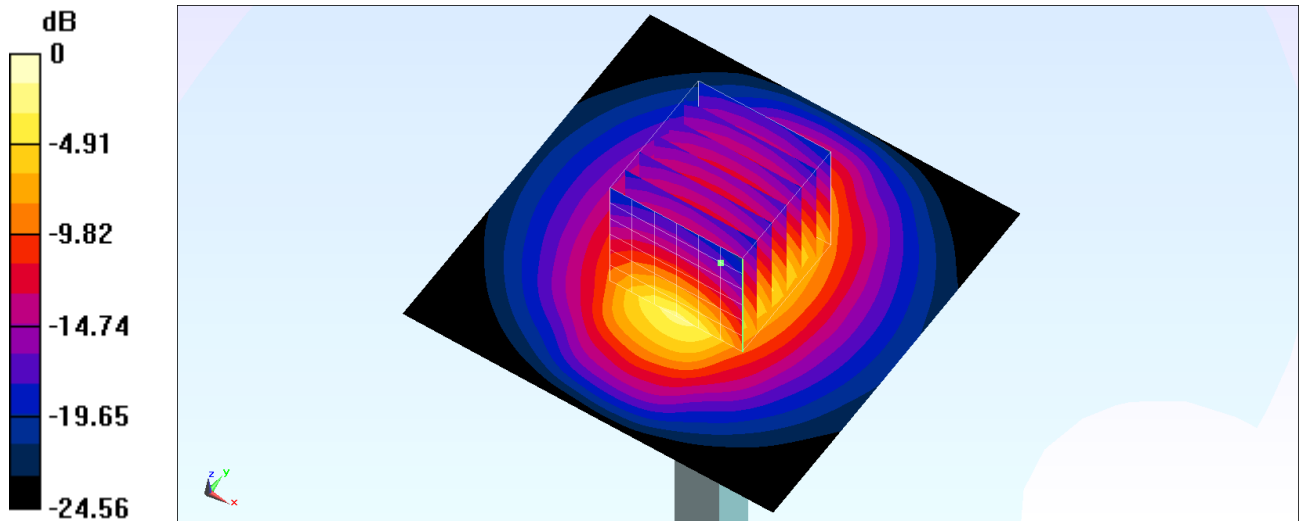
Ambient Temperature : 23.2 °C; Liquid Temperature : 22.2 °C

DASY5 Configuration:

- Probe: EX3DV4 - SN3931; ConvF(7.77, 7.77, 7.77) @ 2300 MHz; Calibrated: 2021/10/21
- Sensor-Surface: 1.4mm (Mechanical Surface Detection)
- Electronics: DAE4 Sn1399; Calibrated: 2022/2/28
- Phantom: SAM-Middle; Type: SAM; Serial: TP-1503
- Measurement SW: DASY52, Version 52.10 (4); SEMCAD X Version 14.6.14 (7483)

**Pin=250mW/Area Scan (71x71x1):** Interpolated grid: dx=1.200 mm, dy=1.200 mm  
Maximum value of SAR (interpolated) = 20.1 W/kg

**Pin=250mW/Zoom Scan (7x7x7)/Cube 0:** Measurement grid: dx=5mm, dy=5mm, dz=5mm  
Reference Value = 114.3 V/m; Power Drift = -0.01 dB  
Peak SAR (extrapolated) = 24.4 W/kg  
**SAR(1 g) = 12.2 W/kg; SAR(10 g) = 5.87 W/kg**  
Maximum value of SAR (measured) = 20.1 W/kg



0 dB = 20.1 W/kg = 13.03 dBW/kg

## System Check\_Head\_2300MHz

### DUT: D2300V2-1006

Communication System: CW; Frequency: 2300 MHz; Duty Cycle: 1:1

Medium: HSL\_2300\_220424 Medium parameters used:  $f = 2300$  MHz;  $\sigma = 1.593$  S/m;  $\epsilon_r = 39.17$ ;  $\rho = 1000$  kg/m<sup>3</sup>

Ambient Temperature : 23.4 °C; Liquid Temperature : 22.4 °C

DASY5 Configuration:

- Probe: EX3DV4 - SN3931; ConvF(7.77, 7.77, 7.77) @ 2300 MHz; Calibrated: 2021/10/21
- Sensor-Surface: 1.4mm (Mechanical Surface Detection)
- Electronics: DAE4 Sn1399; Calibrated: 2022/2/28
- Phantom: SAM-Middle; Type: SAM; Serial: TP-1503
- Measurement SW: DASY52, Version 52.10 (4); SEMCAD X Version 14.6.14 (7483)

**Pin=50mW/Area Scan (71x71x1):** Interpolated grid: dx=1.200 mm, dy=1.200 mm

Maximum value of SAR (interpolated) = 3.66 W/kg

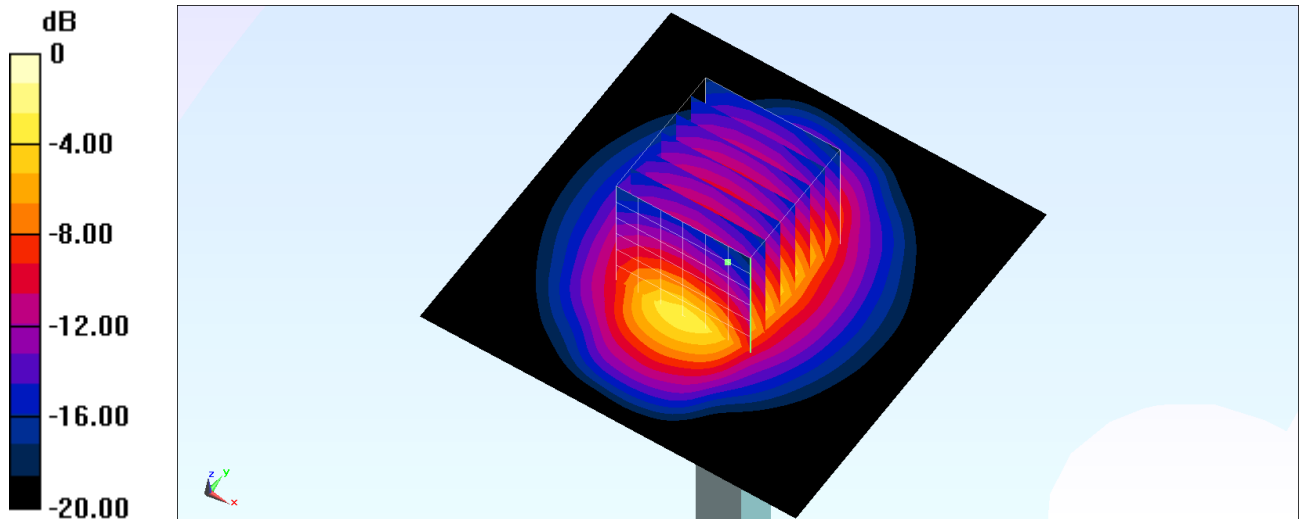
**Pin=50mW/Zoom Scan (7x7x7)/Cube 0:** Measurement grid: dx=5mm, dy=5mm, dz=5mm

Reference Value = 48.56 V/m; Power Drift = -0.16 dB

Peak SAR (extrapolated) = 4.13 W/kg

**SAR(1 g) = 2.33 W/kg; SAR(10 g) = 1.19 W/kg**

Maximum value of SAR (measured) = 3.56 W/kg



0 dB = 3.56 W/kg = 5.51 dBW/kg



## System Check\_Head\_2300MHz

### DUT: D2300V2-1006

Communication System: CW; Frequency: 2300 MHz; Duty Cycle: 1:1

Medium: HSL\_2300\_220430 Medium parameters used:  $f = 2300$  MHz;  $\sigma = 1.626$  S/m;  $\epsilon_r = 40.221$ ;  $\rho = 1000$  kg/m<sup>3</sup>

Ambient Temperature : 23.2 °C; Liquid Temperature : 22.2 °C

DASY5 Configuration:

- Probe: EX3DV4 - SN3931; ConvF(7.77, 7.77, 7.77) @ 2300 MHz; Calibrated: 2021/10/21
- Sensor-Surface: 1.4mm (Mechanical Surface Detection)
- Electronics: DAE4 Sn1399; Calibrated: 2022/2/28
- Phantom: SAM-Middle; Type: SAM; Serial: TP-1503
- Measurement SW: DASY52, Version 52.10 (4); SEMCAD X Version 14.6.14 (7483)

**Pin=50mW/Area Scan (71x71x1):** Interpolated grid: dx=1.200 mm, dy=1.200 mm

Maximum value of SAR (interpolated) = 3.89 W/kg

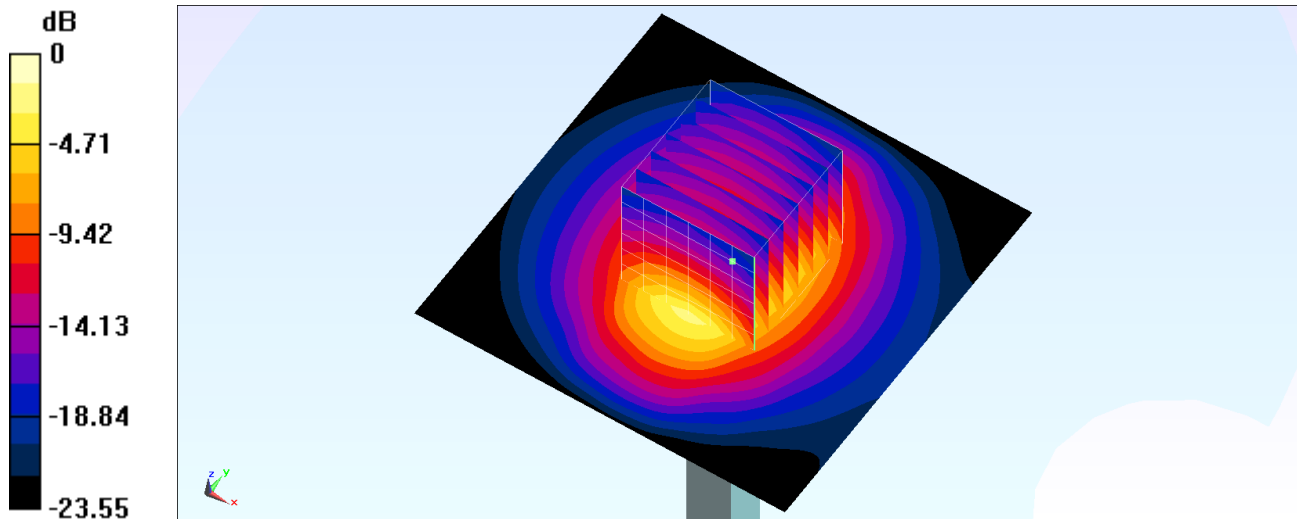
**Pin=50mW/Zoom Scan (7x7x7)/Cube 0:** Measurement grid: dx=5mm, dy=5mm, dz=5mm

Reference Value = 50.23 V/m; Power Drift = -0.05 dB

Peak SAR (extrapolated) = 4.77 W/kg

**SAR(1 g) = 2.35 W/kg; SAR(10 g) = 1.12 W/kg**

Maximum value of SAR (measured) = 3.90 W/kg



## System Check\_Head\_2300MHz

### DUT: D2300V2-1006

Communication System: CW; Frequency: 2300 MHz; Duty Cycle: 1:1

Medium: HSL\_2300\_220511 Medium parameters used:  $f = 2300$  MHz;  $\sigma = 1.688$  S/m;  $\epsilon_r = 39.973$ ;  $\rho = 1000$  kg/m<sup>3</sup>

Ambient Temperature : 23.6 °C; Liquid Temperature : 22.6 °C

DASY5 Configuration:

- Probe: ES3DV3 - SN3270; ConvF(4.91, 4.91, 4.91) @ 2300 MHz; Calibrated: 2021/9/21
- Sensor-Surface: 3mm (Mechanical Surface Detection)
- Electronics: DAE4 Sn1512; Calibrated: 2022/3/29
- Phantom: SAM\_Left; Type: SAM; Serial: 1796
- Measurement SW: DASY52, Version 52.10 (4); SEMCAD X Version 14.6.14 (7501)

**Pin=250mW/Area Scan (81x81x1):** Interpolated grid: dx=1.200 mm, dy=1.200 mm

Maximum value of SAR (interpolated) = 16.3 W/kg

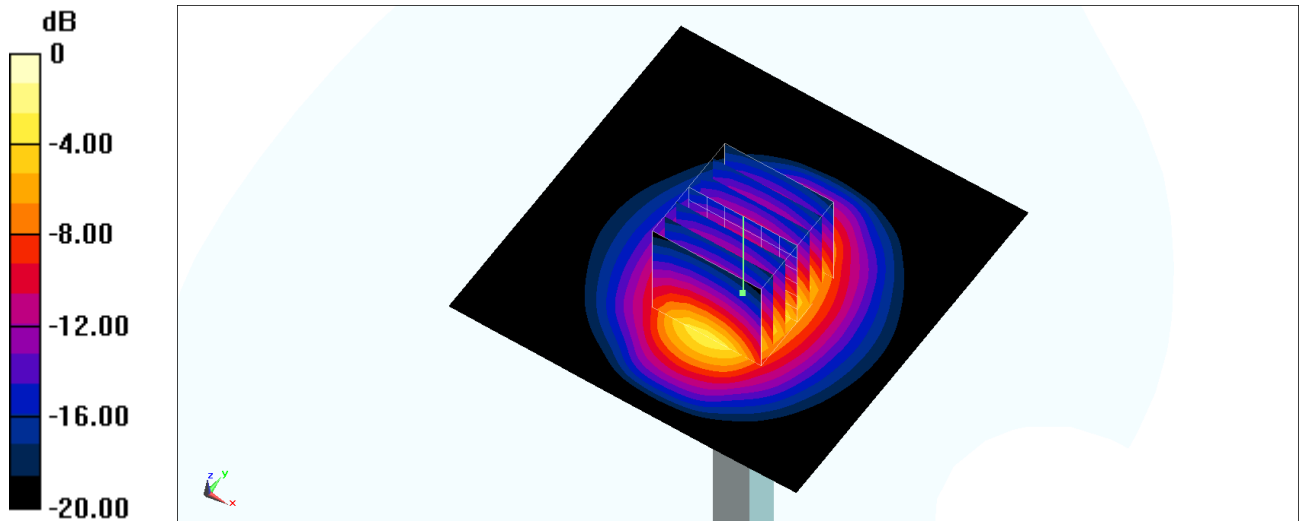
**Pin=250mW/Zoom Scan (7x7x7)/Cube 0:** Measurement grid: dx=5mm, dy=5mm, dz=5mm

Reference Value = 96.81 V/m; Power Drift = 0.03 dB

Peak SAR (extrapolated) = 24.3 W/kg

**SAR(1 g) = 12.5 W/kg; SAR(10 g) = 6.1 W/kg**

Maximum value of SAR (measured) = 16.0 W/kg



0 dB = 16.0 W/kg = 12.04 dBW/kg

## System Check\_Head\_2300MHz

### DUT: D2300V2-1006

Communication System: CW; Frequency: 2300 MHz; Duty Cycle: 1:1

Medium: HSL\_2300\_220513 Medium parameters used:  $f = 2300$  MHz;  $\sigma = 1.646$  S/m;  $\epsilon_r = 40.16$ ;  $\rho = 1000$  kg/m<sup>3</sup>

Ambient Temperature : 23.3 °C; Liquid Temperature : 22.3 °C

DASY5 Configuration:

- Probe: EX3DV4 - SN3931; ConvF(7.77, 7.77, 7.77) @ 2300 MHz; Calibrated: 2021/10/21
- Sensor-Surface: 1.4mm (Mechanical Surface Detection)
- Electronics: DAE4 Sn1399; Calibrated: 2022/2/28
- Phantom: SAM\_Left; Type: SAM; Serial: 1796
- Measurement SW: DASY52, Version 52.10 (4); SEMCAD X Version 14.6.14 (7501)

**Pin=50mW/Area Scan (71x71x1):** Interpolated grid: dx=1.200 mm, dy=1.200 mm

Maximum value of SAR (interpolated) = 3.95 W/kg

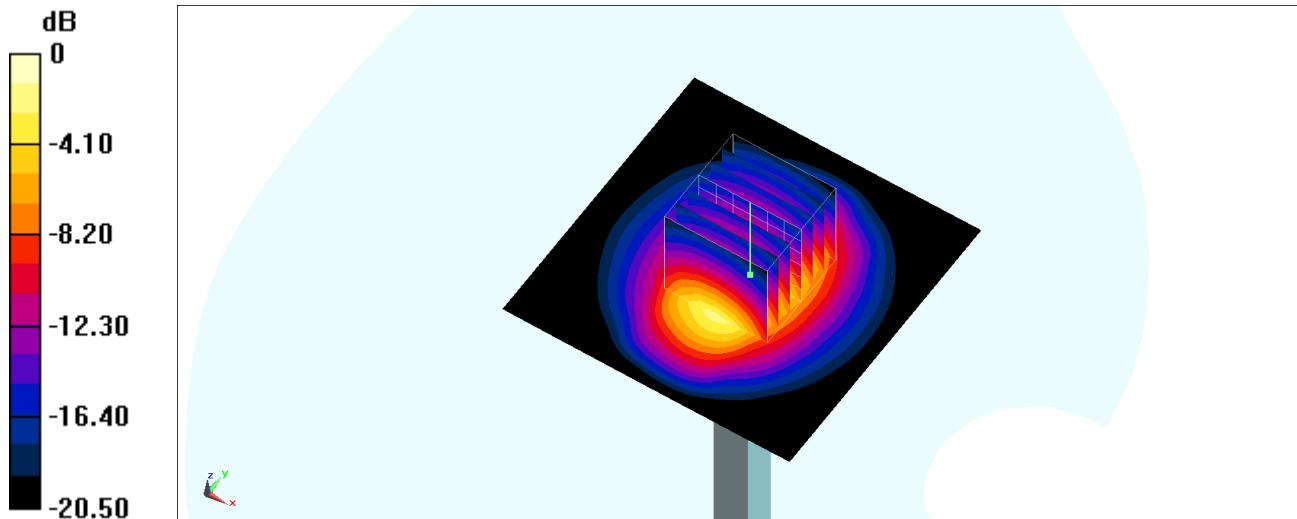
**Pin=50mW/Zoom Scan (7x7x7)/Cube 0:** Measurement grid: dx=5mm, dy=5mm, dz=5mm

Reference Value = 49.59 V/m; Power Drift = -0.13 dB

Peak SAR (extrapolated) = 4.70 W/kg

**SAR(1 g) = 2.41 W/kg; SAR(10 g) = 1.16 W/kg**

Maximum value of SAR (measured) = 3.89 W/kg



## System Check\_Head\_2300MHz

### DUT: D2300V2-1006

Communication System: CW; Frequency: 2300 MHz; Duty Cycle: 1:1

Medium: HSL\_2300\_220516 Medium parameters used:  $f = 2300$  MHz;  $\sigma = 1.612$  S/m;  $\epsilon_r = 41.306$ ;  $\rho = 1000$  kg/m<sup>3</sup>

Ambient Temperature : 23.3 °C; Liquid Temperature : 22.3 °C

#### DASY5 Configuration:

- Probe: EX3DV4 - SN7694; ConvF(8.26, 8.26, 8.26) @ 2300 MHz; Calibrated: 2022/1/24
- Sensor-Surface: 1.4mm (Mechanical Surface Detection)
- Electronics: DAE4 Sn1424; Calibrated: 2022/1/20
- Phantom: SAM-Middle; Type: SAM; Serial: TP-1503
- Measurement SW: DASY52, Version 52.10 (4); SEMCAD X Version 14.6.14 (7483)

**Pin=50mW/Area Scan (71x71x1):** Interpolated grid: dx=1.200 mm, dy=1.200 mm

Maximum value of SAR (interpolated) = 3.74 W/kg

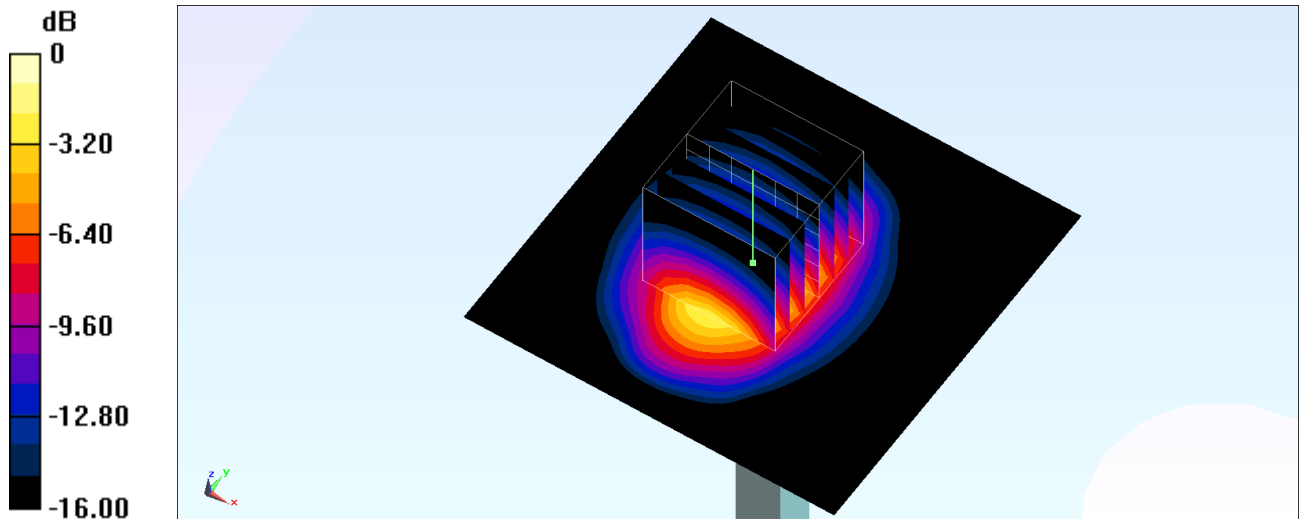
**Pin=50mW/Zoom Scan (7x7x7)/Cube 0:** Measurement grid: dx=5mm, dy=5mm, dz=5mm

Reference Value = 46.25 V/m; Power Drift = 0.02 dB

Peak SAR (extrapolated) = 4.58 W/kg

**SAR(1 g) = 2.25 W/kg; SAR(10 g) = 1.08 W/kg**

Maximum value of SAR (measured) = 3.73 W/kg



0 dB = 3.73 W/kg = 5.72 dBW/kg

## System Check\_Head\_2450MHz

### DUT: D2450V2-736

Communication System: CW; Frequency: 2450 MHz; Duty Cycle: 1:1

Medium: HSL\_2450\_220408 Medium parameters used :  $f = 2450$  MHz;  $\sigma = 1.749$  S/m;  $\epsilon_r = 39.174$ ;  $\rho = 1000$  kg/m<sup>3</sup>

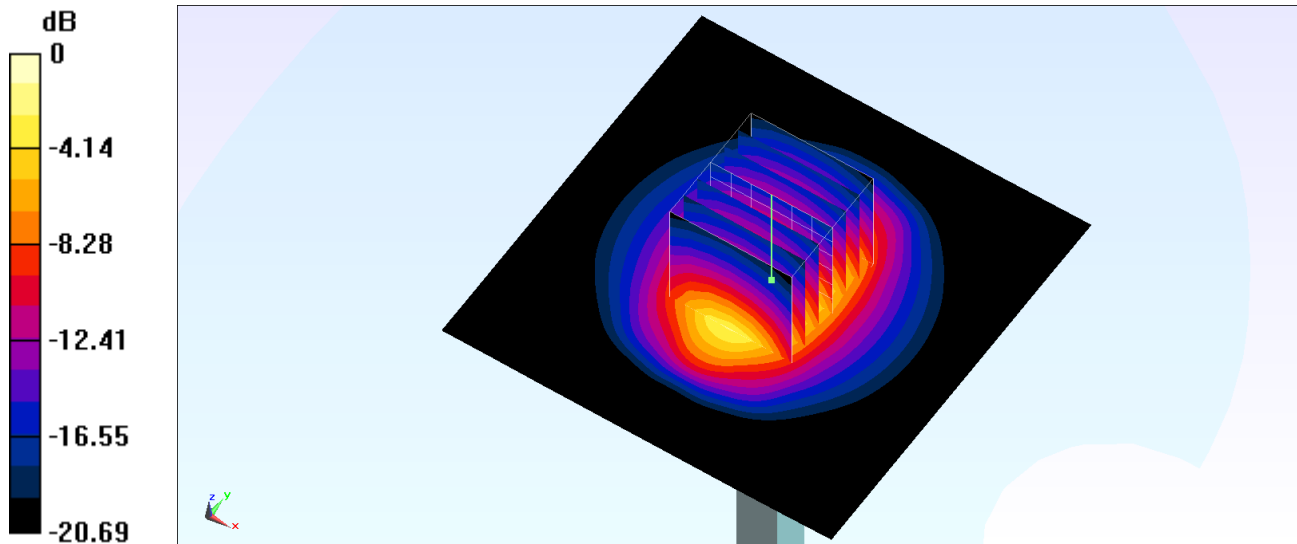
Ambient Temperature : 23.1 °C; Liquid Temperature : 22.1 °C

DASY5 Configuration:

- Probe: EX3DV4 - SN7625; ConvF(7.91, 7.91, 7.91) @ 2450 MHz; Calibrated: 2022/1/27
- Sensor-Surface: 1.4mm (Mechanical Surface Detection)
- Electronics: DAE4 Sn1696; Calibrated: 2021/11/3
- Phantom: SAM\_Left; Type: SAM; Serial: TP:1682
- Measurement SW: DASY52, Version 52.10 (4); SEMCAD X Version 14.6.14 (7501)

**Pin=250mW/Area Scan (81x81x1):** Interpolated grid: dx=1.200 mm, dy=1.200 mm  
Maximum value of SAR (interpolated) = 20.2 W/kg

**Pin=250mW/Zoom Scan (7x7x7)/Cube 0:** Measurement grid: dx=5mm, dy=5mm, dz=5mm  
Reference Value = 112.6 V/m; Power Drift = -0.12 dB  
Peak SAR (extrapolated) = 24.6 W/kg  
**SAR(1 g) = 12.5 W/kg; SAR(10 g) = 5.99 W/kg**  
Maximum value of SAR (measured) = 20.2 W/kg



## System Check\_Head\_2450MHz

### DUT: D2450V2-929

Communication System: CW; Frequency: 2450 MHz; Duty Cycle: 1:1

Medium: HSL\_2450\_220428 Medium parameters used :  $f = 2450$  MHz;  $\sigma = 1.815$  S/m;  $\epsilon_r = 40.004$ ;  $\rho = 1000$  kg/m<sup>3</sup>

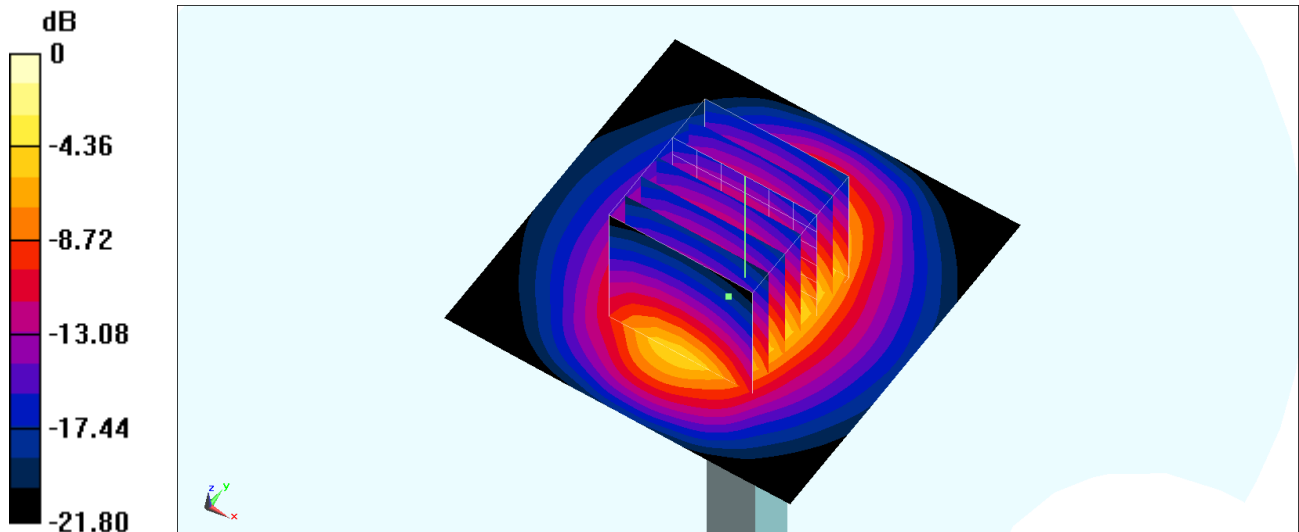
Ambient Temperature : 23.8 °C ; Liquid Temperature : 22.8 °C

#### DASY5 Configuration:

- Probe: ES3DV3 - SN3270; ConvF(4.62, 4.62, 4.62) @ 2450 MHz; Calibrated: 2021/9/21
- Sensor-Surface: 3mm (Mechanical Surface Detection)
- Electronics: DAE4 Sn1512; Calibrated: 2022/3/29
- Phantom: SAM\_Left; Type: QD000P40CD; Serial: TP:1684
- Measurement SW: DASY52, Version 52.10 (4); SEMCAD X Version 14.6.14 (7483)

**Pin=250mW/Area Scan (61x61x1):** Interpolated grid: dx=1.200 mm, dy=1.200 mm  
 Maximum value of SAR (interpolated) = 18.4 W/kg

**Pin=250mW/Zoom Scan (7x7x7)/Cube 0:** Measurement grid: dx=5mm, dy=5mm, dz=5mm  
 Reference Value = 101.2 V/m; Power Drift = -0.07 dB  
 Peak SAR (extrapolated) = 26.3 W/kg  
**SAR(1 g) = 13.7 W/kg; SAR(10 g) = 6.58 W/kg**  
 Maximum value of SAR (measured) = 17.8 W/kg



0 dB = 17.8 W/kg = 12.50 dBW/kg

## System Check\_Head\_2450MHz

### DUT: D2450V2-929

Communication System: CW; Frequency: 2450 MHz; Duty Cycle: 1:1

Medium: HSL\_2450\_220429 Medium parameters used :  $f = 2450$  MHz;  $\sigma = 1.768$  S/m;  $\epsilon_r = 38.21$ ;  $\rho = 1000$  kg/m<sup>3</sup>

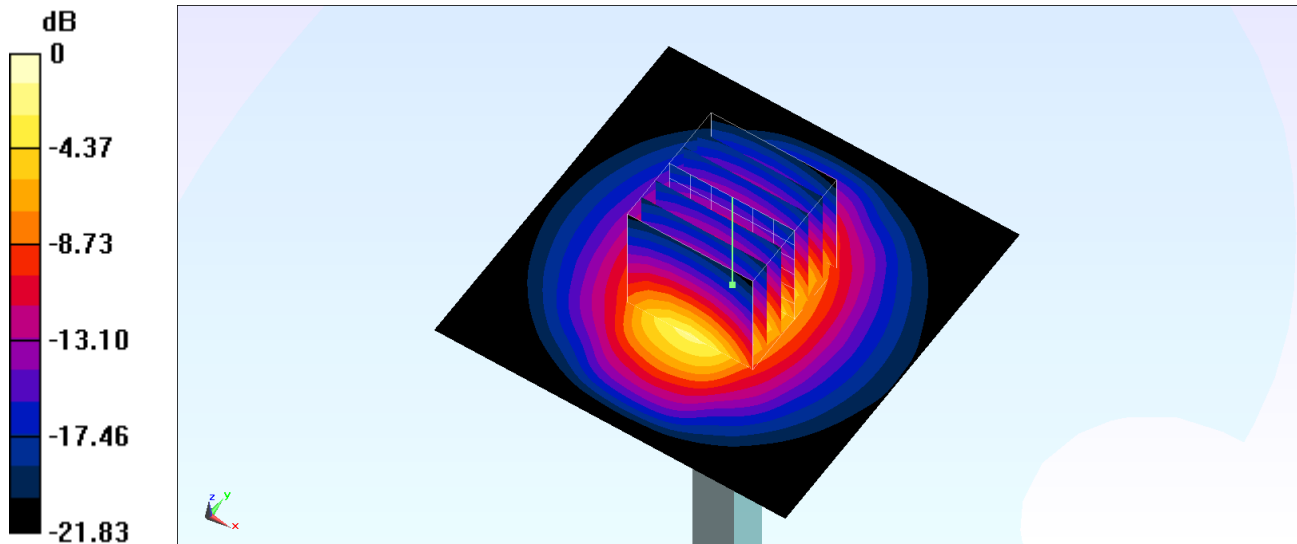
Ambient Temperature : 23.7 °C; Liquid Temperature : 22.7 °C

DASY5 Configuration:

- Probe: ES3DV3 - SN3115; ConvF(4.55, 4.55, 4.55) @ 2450 MHz; Calibrated: 2021/11/23
- Sensor-Surface: 3mm (Mechanical Surface Detection)
- Electronics: DAE4 Sn1424; Calibrated: 2022/1/20
- Phantom: SAM\_Left; Type: SAM; Serial: TP:1682
- Measurement SW: DASY52, Version 52.10 (4); SEMCAD X Version 14.6.14 (7501)

**Pin=250mW/Area Scan (71x71x1):** Interpolated grid: dx=1.200 mm, dy=1.200 mm  
Maximum value of SAR (interpolated) = 16.5 W/kg

**Pin=250mW/Zoom Scan (7x7x7)/Cube 0:** Measurement grid: dx=5mm, dy=5mm, dz=5mm  
Reference Value = 98.44 V/m; Power Drift = -0.01 dB  
Peak SAR (extrapolated) = 24.3 W/kg  
**SAR(1 g) = 12 W/kg; SAR(10 g) = 5.59 W/kg**  
Maximum value of SAR (measured) = 15.8 W/kg



0 dB = 15.8 W/kg = 11.99 dBW/kg

## System Check\_Head\_2450MHz

### DUT: D2450V2-736

Communication System: CW; Frequency: 2450 MHz; Duty Cycle: 1:1

Medium: HSL\_2450\_220430 Medium parameters used :  $f = 2450$  MHz;  $\sigma = 1.79$  S/m;  $\epsilon_r = 38.524$ ;  $\rho = 1000$  kg/m<sup>3</sup>

Ambient Temperature : 23.5 °C; Liquid Temperature : 22.5 °C

DASY5 Configuration:

- Probe: ES3DV3 - SN3115; ConvF(4.55, 4.55, 4.55) @ 2450 MHz; Calibrated: 2021/11/23
- Sensor-Surface: 3mm (Mechanical Surface Detection)
- Electronics: DAE4 Sn1424; Calibrated: 2022/1/20
- Phantom: SAM\_Left; Type: SAM; Serial: TP:1682
- Measurement SW: DASY52, Version 52.10 (4); SEMCAD X Version 14.6.14 (7501)

**Pin=50mW/Area Scan (71x71x1):** Interpolated grid: dx=1.200 mm, dy=1.200 mm

Maximum value of SAR (interpolated) = 3.59 W/kg

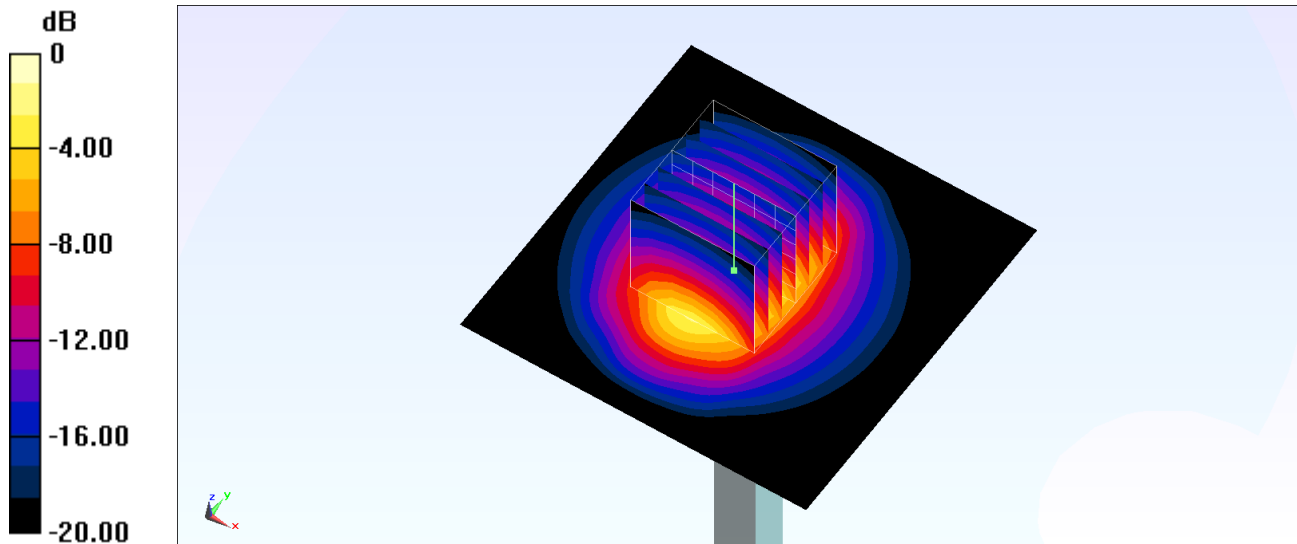
**Pin=50mW/Zoom Scan (7x7x7)/Cube 0:** Measurement grid: dx=5mm, dy=5mm, dz=5mm

Reference Value = 43.21 V/m; Power Drift = 0.18 dB

Peak SAR (extrapolated) = 5.22 W/kg

**SAR(1 g) = 2.62 W/kg; SAR(10 g) = 1.25 W/kg**

Maximum value of SAR (measured) = 3.46 W/kg



0 dB = 3.46 W/kg = 5.39 dBW/kg



## System Check\_Head\_2450MHz

### DUT: D2450V2-929

Communication System: CW; Frequency: 2450 MHz; Duty Cycle: 1:1

Medium: HSL\_2450\_220502 Medium parameters used:  $f = 2450$  MHz;  $\sigma = 1.789$  S/m;  $\epsilon_r = 38.515$ ;  $\rho = 1000$  kg/m<sup>3</sup>

Ambient Temperature : 23.8 °C; Liquid Temperature : 22.8 °C

DASY5 Configuration:

- Probe: EX3DV4 - SN7694; ConvF(8.07, 8.07, 8.07) @ 2450 MHz; Calibrated: 2022/1/24
- Sensor-Surface: 1.4mm (Mechanical Surface Detection)
- Electronics: DAE4 Sn1424; Calibrated: 2022/1/20
- Phantom: SAM\_Left; Type: SAM; Serial: TP:1682
- Measurement SW: DASY52, Version 52.10 (4); SEMCAD X Version 14.6.14 (7501)

**Pin=50mW/Area Scan (71x71x1):** Interpolated grid: dx=1.200 mm, dy=1.200 mm

Maximum value of SAR (interpolated) = 3.93 W/kg

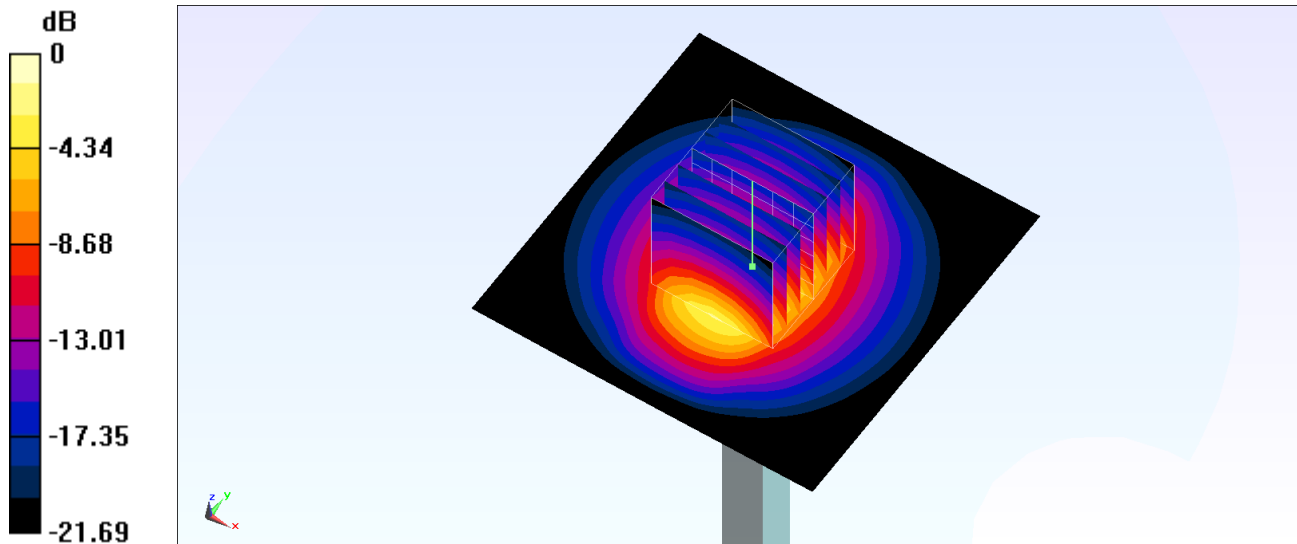
**Pin=50mW/Zoom Scan (7x7x7)/Cube 0:** Measurement grid: dx=5mm, dy=5mm, dz=5mm

Reference Value = 49.14 V/m; Power Drift = -0.11 dB

Peak SAR (extrapolated) = 4.88 W/kg

**SAR(1 g) = 2.47 W/kg; SAR(10 g) = 1.16 W/kg**

Maximum value of SAR (measured) = 3.96 W/kg



0 dB = 3.96 W/kg = 5.98 dBW/kg

## System Check\_Head\_2450MHz

### DUT: D2450V2-929

Communication System: CW; Frequency: 2450 MHz; Duty Cycle: 1:1

Medium: HSL\_2450\_220503 Medium parameters used :  $f = 2450$  MHz;  $\sigma = 1.845$  S/m;  $\epsilon_r = 39.428$ ;  $\rho = 1000$  kg/m<sup>3</sup>

Ambient Temperature : 23.5 °C ; Liquid Temperature : 22.5 °C

DASY5 Configuration:

- Probe: EX3DV4 - SN3976; ConvF(7.85, 7.85, 7.85) @ 2450 MHz; Calibrated: 2022/1/27
- Sensor-Surface: 1.4mm (Mechanical Surface Detection)
- Electronics: DAE4 Sn316; Calibrated: 2022/1/26
- Phantom: SAM\_Left; Type: SAM; Serial: 1796
- Measurement SW: DASY52, Version 52.10 (4); SEMCAD X Version 14.6.14 (7501)

**Pin=50mW/Area Scan (71x71x1):** Interpolated grid: dx=1.200 mm, dy=1.200 mm

Maximum value of SAR (interpolated) = 4.36 W/kg

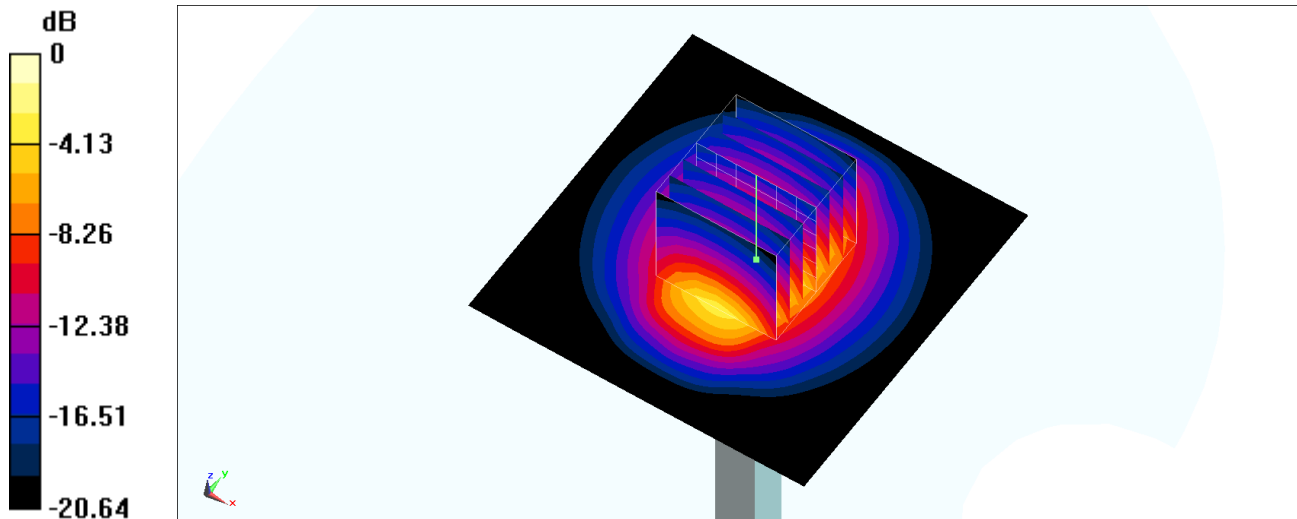
**Pin=50mW/Zoom Scan (7x7x7)/Cube 0:** Measurement grid: dx=5mm, dy=5mm, dz=5mm

Reference Value = 50.05 V/m; Power Drift = -0.03 dB

Peak SAR (extrapolated) = 5.37 W/kg

**SAR(1 g) = 2.68 W/kg; SAR(10 g) = 1.28 W/kg**

Maximum value of SAR (measured) = 4.38 W/kg



0 dB = 4.38 W/kg = 6.41 dBW/kg

## System Check\_Head\_2450MHz

### DUT: D2450V2-929

Communication System: CW; Frequency: 2450 MHz; Duty Cycle: 1:1

Medium: HSL\_2450\_220504 Medium parameters used :  $f = 2450$  MHz;  $\sigma = 1.812$  S/m;  $\epsilon_r = 39.14$ ;  $\rho = 1000$  kg/m<sup>3</sup>

Ambient Temperature : 23.3 °C ; Liquid Temperature : 22.3 °C

DASY5 Configuration:

- Probe: EX3DV4 - SN3976; ConvF(7.85, 7.85, 7.85) @ 2450 MHz; Calibrated: 2022/1/27
- Sensor-Surface: 1.4mm (Mechanical Surface Detection)
- Electronics: DAE4 Sn316; Calibrated: 2022/1/26
- Phantom: SAM\_Left; Type: SAM; Serial: 1796
- Measurement SW: DASY52, Version 52.10 (4); SEMCAD X Version 14.6.14 (7501)

**Pin=50mW/Area Scan (71x71x1):** Interpolated grid: dx=1.200 mm, dy=1.200 mm

Maximum value of SAR (interpolated) = 4.24 W/kg

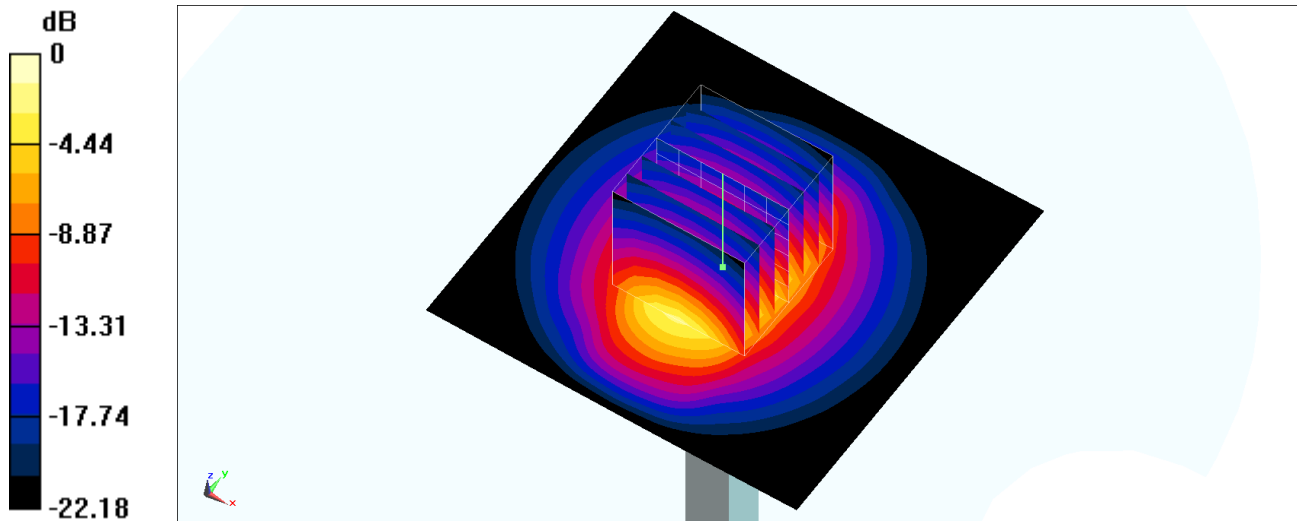
**Pin=50mW/Zoom Scan (7x7x7)/Cube 0:** Measurement grid: dx=5mm, dy=5mm, dz=5mm

Reference Value = 49.69 V/m; Power Drift = 0.08 dB

Peak SAR (extrapolated) = 5.41 W/kg

**SAR(1 g) = 2.57 W/kg; SAR(10 g) = 1.18 W/kg**

Maximum value of SAR (measured) = 4.34 W/kg



0 dB = 4.34 W/kg = 6.37 dBW/kg

## System Check\_Head\_2450MHz

### DUT: D2450V2-929

Communication System: CW; Frequency: 2450 MHz; Duty Cycle: 1:1

Medium: HSL\_2450\_220531 Medium parameters used:  $f = 2450$  MHz;  $\sigma = 1.81$  S/m;  $\epsilon_r = 38.794$ ;  $\rho = 1000$  kg/m<sup>3</sup>

Ambient Temperature : 23.5 °C ; Liquid Temperature : 22.5 °C

DASY5 Configuration:

- Probe: EX3DV4 - SN7694; ConvF(8.07, 8.07, 8.07) @ 2450 MHz; Calibrated: 2022/1/24
- Sensor-Surface: 1.4mm (Mechanical Surface Detection)
- Electronics: DAE4 Sn1424; Calibrated: 2022/1/20
- Phantom: SAM-Middle; Type: SAM; Serial: TP-1503
- Measurement SW: DASY52, Version 52.10 (4); SEMCAD X Version 14.6.14 (7483)

**Pin=50mW/Area Scan (71x71x1):** Interpolated grid: dx=1.200 mm, dy=1.200 mm

Maximum value of SAR (interpolated) = 3.97 W/kg

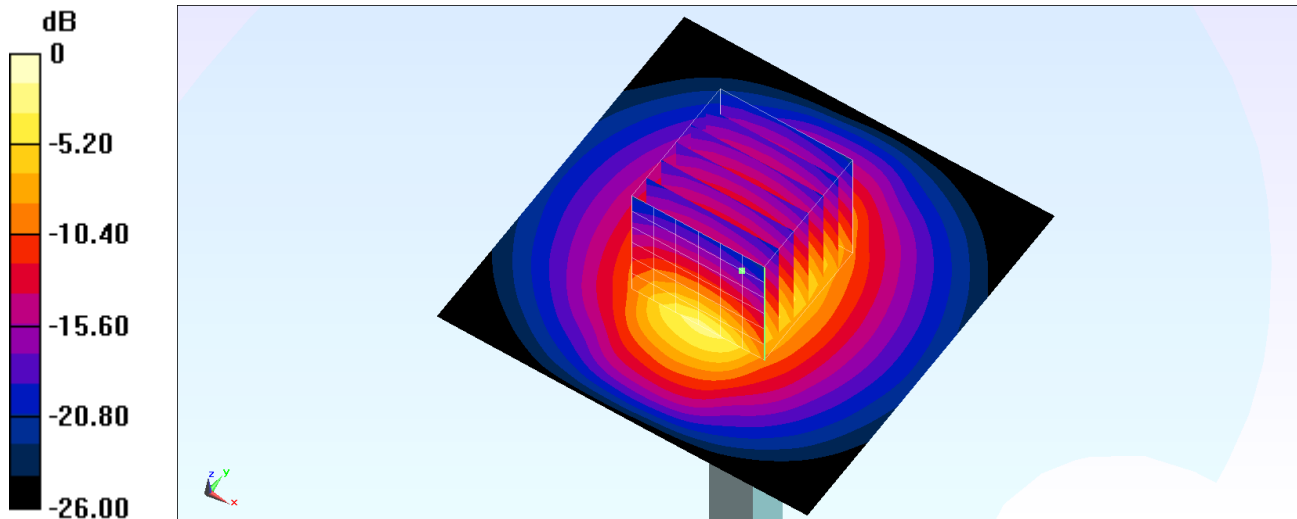
**Pin=50mW/Zoom Scan (7x7x7)/Cube 0:** Measurement grid: dx=5mm, dy=5mm, dz=5mm

Reference Value = 49.14 V/m; Power Drift = -0.09 dB

Peak SAR (extrapolated) = 4.93 W/kg

**SAR(1 g) = 2.45 W/kg; SAR(10 g) = 1.13 W/kg**

Maximum value of SAR (measured) = 4.00 W/kg



0 dB = 4.00 W/kg = 6.02 dBW/kg

## System Check\_Head\_2600MHz

### DUT: D2600V2-1008

Communication System: CW; Frequency: 2600 MHz; Duty Cycle: 1:1

Medium: HSL\_2600\_220414 Medium parameters used:  $f = 2600$  MHz;  $\sigma = 1.918$  S/m;  $\epsilon_r = 38.808$ ;  $\rho = 1000$  kg/m<sup>3</sup>

Ambient Temperature : 23.8 °C; Liquid Temperature : 22.8 °C

DASY5 Configuration:

- Probe: EX3DV4 - SN3931; ConvF(7.3, 7.3, 7.3) @ 2600 MHz; Calibrated: 2021/10/21
- Sensor-Surface: 1.4mm (Mechanical Surface Detection)
- Electronics: DAE4 Sn1399; Calibrated: 2022/2/28
- Phantom: SAM-Middle; Type: SAM; Serial: TP-1503
- Measurement SW: DASY52, Version 52.10 (4); SEMCAD X Version 14.6.14 (7483)

**Pin=50mW/Area Scan (71x71x1):** Interpolated grid: dx=1.200 mm, dy=1.200 mm

Maximum value of SAR (interpolated) = 4.70 W/kg

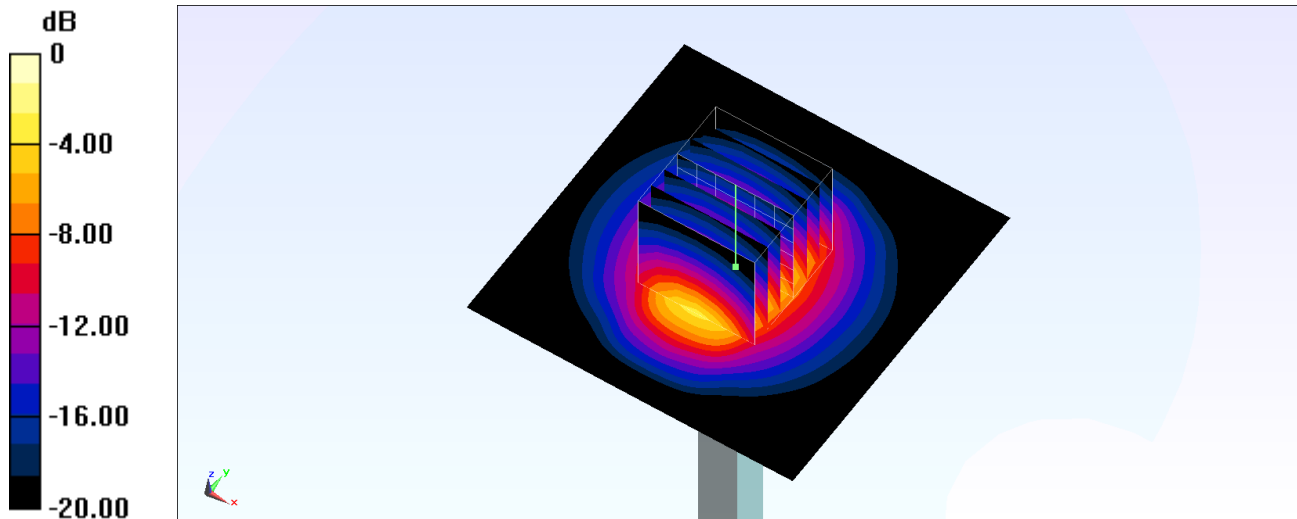
**Pin=50mW/Zoom Scan (7x7x7)/Cube 0:** Measurement grid: dx=5mm, dy=5mm, dz=5mm

Reference Value = 51.52 V/m; Power Drift = -0.02 dB

Peak SAR (extrapolated) = 5.71 W/kg

**SAR(1 g) = 2.77 W/kg; SAR(10 g) = 1.25 W/kg**

Maximum value of SAR (measured) = 4.66 W/kg



## System Check\_Head\_2600MHz

### DUT: D2600V2-1008

Communication System: CW; Frequency: 2600 MHz; Duty Cycle: 1:1

Medium: HSL\_2600\_220418 Medium parameters used:  $f = 2600$  MHz;  $\sigma = 1.92$  S/m;  $\epsilon_r = 38.822$ ;  $\rho = 1000$  kg/m<sup>3</sup>

Ambient Temperature : 23.2 °C; Liquid Temperature : 22.2 °C

DASY5 Configuration:

- Probe: EX3DV4 - SN3931; ConvF(7.3, 7.3, 7.3) @ 2600 MHz; Calibrated: 2021/10/21
- Sensor-Surface: 1.4mm (Mechanical Surface Detection)
- Electronics: DAE4 Sn1399; Calibrated: 2022/2/28
- Phantom: SAM-Middle; Type: SAM; Serial: TP-1503
- Measurement SW: DASY52, Version 52.10 (4); SEMCAD X Version 14.6.14 (7483)

**Pin=50mW/Area Scan (71x71x1):** Interpolated grid: dx=1.200 mm, dy=1.200 mm

Maximum value of SAR (interpolated) = 4.71 W/kg

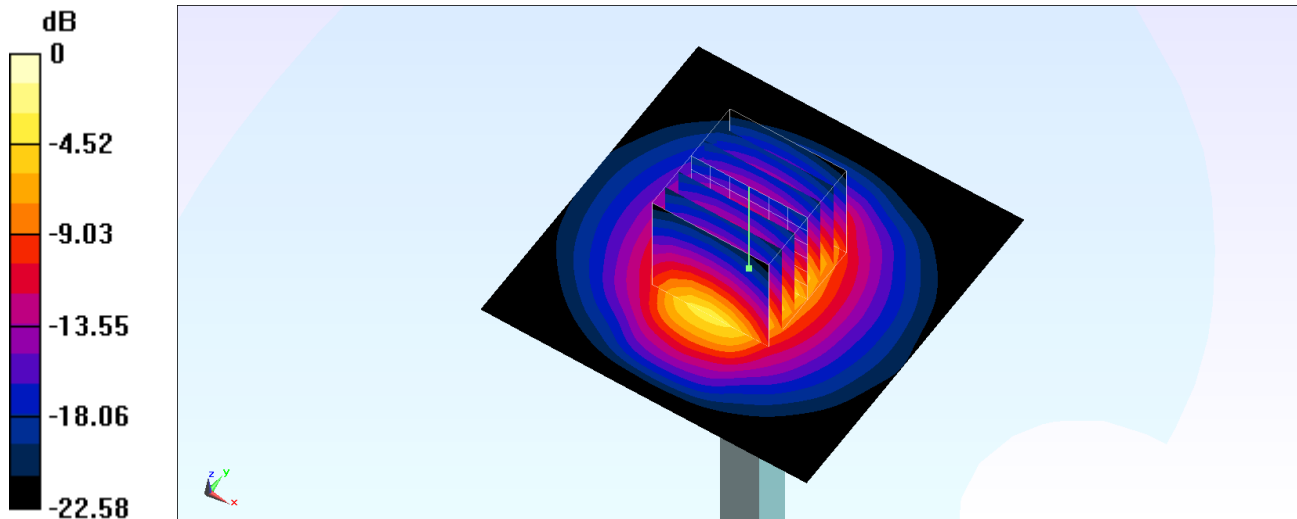
**Pin=50mW/Zoom Scan (7x7x7)/Cube 0:** Measurement grid: dx=5mm, dy=5mm, dz=5mm

Reference Value = 51.52 V/m; Power Drift = -0.02 dB

Peak SAR (extrapolated) = 5.71 W/kg

**SAR(1 g) = 2.77 W/kg; SAR(10 g) = 1.25 W/kg**

Maximum value of SAR (measured) = 4.66 W/kg



0 dB = 4.66 W/kg = 6.68 dBW/kg

## System Check\_Head\_2600MHz

### DUT: D2600V2-1008

Communication System: CW; Frequency: 2600 MHz; Duty Cycle: 1:1

Medium: HSL\_2600\_220424 Medium parameters used:  $f = 2600$  MHz;  $\sigma = 1.941$  S/m;  $\epsilon_r = 38.112$ ;  $\rho = 1000$  kg/m<sup>3</sup>

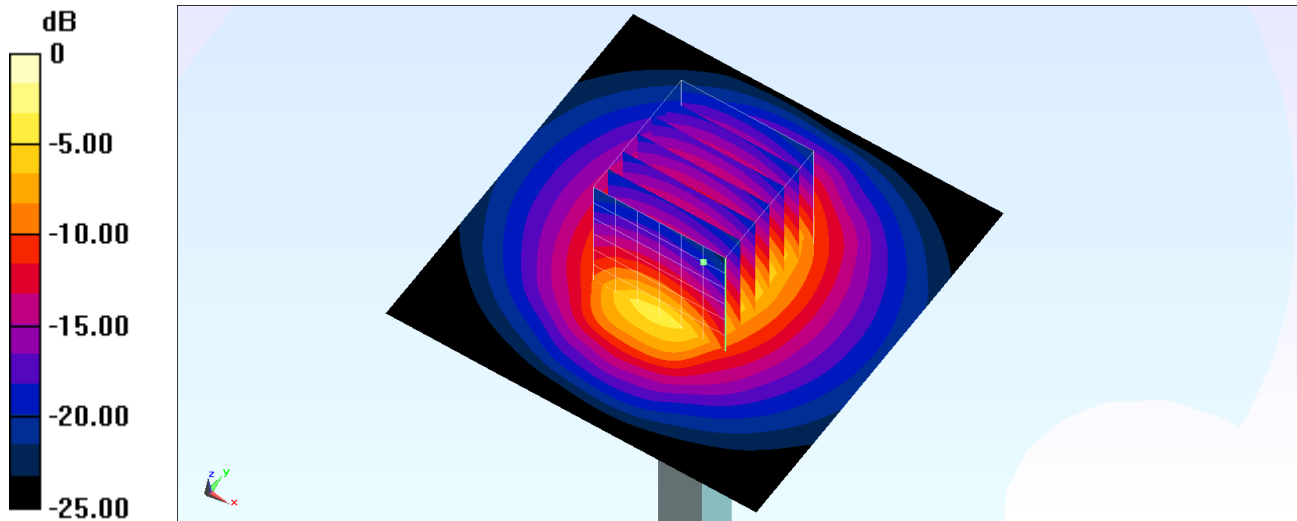
Ambient Temperature : 23.4 °C ; Liquid Temperature : 22.4 °C

DASY5 Configuration:

- Probe: EX3DV4 - SN3931; ConvF(7.3, 7.3, 7.3) @ 2600 MHz; Calibrated: 2021/10/21
- Sensor-Surface: 1.4mm (Mechanical Surface Detection)
- Electronics: DAE4 Sn1399; Calibrated: 2022/2/28
- Phantom: SAM-Middle; Type: SAM; Serial: TP-1503
- Measurement SW: DASY52, Version 52.10 (4); SEMCAD X Version 14.6.14 (7483)

**Pin=250mW/Area Scan (71x71x1):** Interpolated grid: dx=1.200 mm, dy=1.200 mm  
Maximum value of SAR (interpolated) = 24.4 W/kg

**Pin=250mW/Zoom Scan (7x7x7)/Cube 0:** Measurement grid: dx=5mm, dy=5mm, dz=5mm  
Reference Value = 116.1 V/m; Power Drift = -0.12 dB  
Peak SAR (extrapolated) = 30.4 W/kg  
**SAR(1 g) = 14.6 W/kg; SAR(10 g) = 6.63 W/kg**  
Maximum value of SAR (measured) = 24.6 W/kg



## System Check\_Head\_2600MHz

### DUT: D2600V2-1008

Communication System: CW; Frequency: 2600 MHz; Duty Cycle: 1:1

Medium: HSL\_2600\_220426 Medium parameters used:  $f = 2600$  MHz;  $\sigma = 1.957$  S/m;  $\epsilon_r = 38.474$ ;  $\rho = 1000$  kg/m<sup>3</sup>

Ambient Temperature : 23.7 °C; Liquid Temperature : 22.7 °C

DASY5 Configuration:

- Probe: EX3DV4 - SN3931; ConvF(7.3, 7.3, 7.3) @ 2600 MHz; Calibrated: 2021/10/21
- Sensor-Surface: 1.4mm (Mechanical Surface Detection)
- Electronics: DAE4 Sn1399; Calibrated: 2022/2/28
- Phantom: SAM-Middle; Type: SAM; Serial: TP-1503
- Measurement SW: DASY52, Version 52.10 (4); SEMCAD X Version 14.6.14 (7483)

**Pin=50mW/Area Scan (71x71x1):** Interpolated grid: dx=1.200 mm, dy=1.200 mm

Maximum value of SAR (interpolated) = 4.86 W/kg

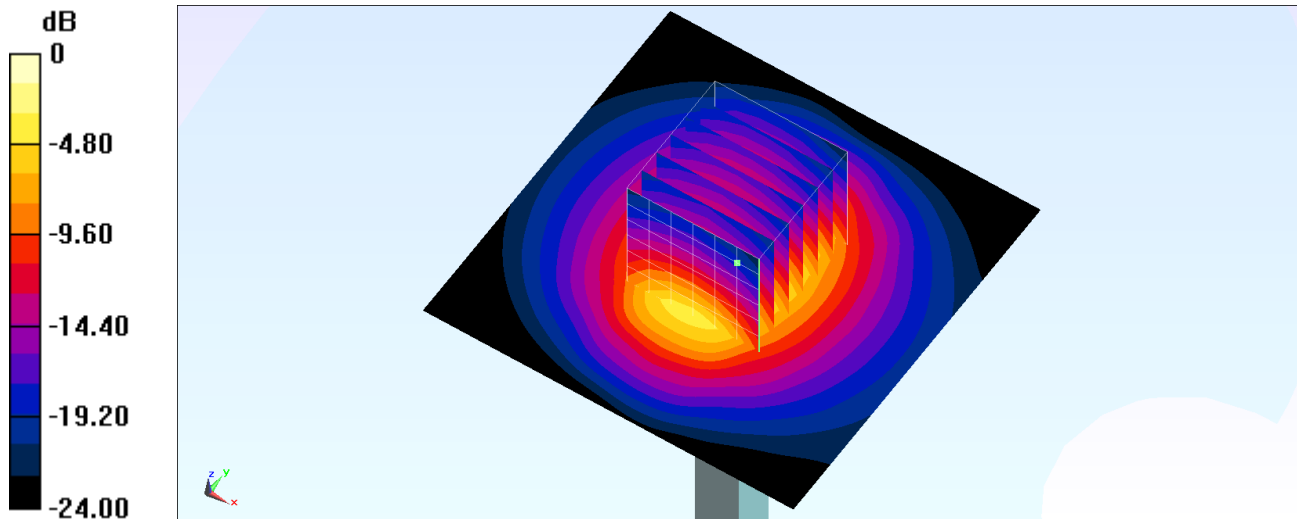
**Pin=50mW/Zoom Scan (7x7x7)/Cube 0:** Measurement grid: dx=5mm, dy=5mm, dz=5mm

Reference Value = 51.73 V/m; Power Drift = -0.12 dB

Peak SAR (extrapolated) = 5.91 W/kg

**SAR(1 g) = 2.84 W/kg; SAR(10 g) = 1.3 W/kg**

Maximum value of SAR (measured) = 4.79 W/kg



0 dB = 4.79 W/kg = 6.80 dBW/kg



## System Check\_Head\_2600MHz

### DUT: D2600V2-1008

Communication System: CW; Frequency: 2600 MHz; Duty Cycle: 1:1

Medium: HSL\_2600\_220427 Medium parameters used:  $f = 2600$  MHz;  $\sigma = 1.963$  S/m;  $\epsilon_r = 38.891$ ;  $\rho = 1000$  kg/m<sup>3</sup>

Ambient Temperature : 23.2 °C; Liquid Temperature : 22.2 °C

DASY5 Configuration:

- Probe: EX3DV4 - SN3931; ConvF(7.3, 7.3, 7.3) @ 2600 MHz; Calibrated: 2021/10/21
- Sensor-Surface: 1.4mm (Mechanical Surface Detection)
- Electronics: DAE4 Sn1399; Calibrated: 2022/2/28
- Phantom: SAM-Middle; Type: SAM; Serial: TP-1503
- Measurement SW: DASY52, Version 52.10 (4); SEMCAD X Version 14.6.14 (7483)

**Pin=50mW/Area Scan (71x71x1):** Interpolated grid: dx=1.200 mm, dy=1.200 mm

Maximum value of SAR (interpolated) = 4.99 W/kg

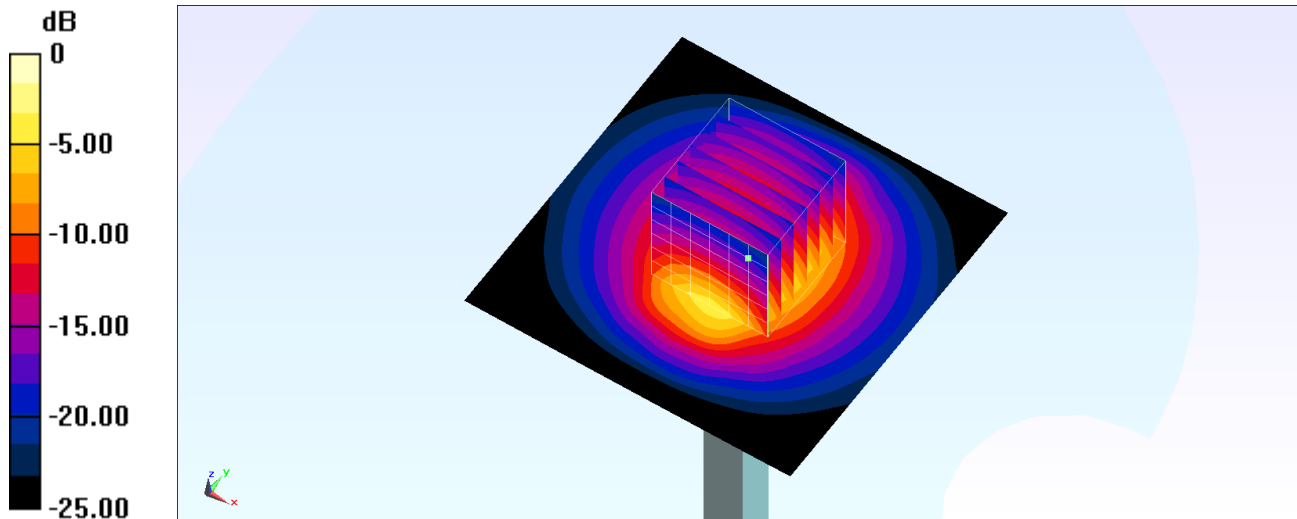
**Pin=50mW/Zoom Scan (7x7x7)/Cube 0:** Measurement grid: dx=5mm, dy=5mm, dz=5mm

Reference Value = 50.57 V/m; Power Drift = -0.13 dB

Peak SAR (extrapolated) = 6.07 W/kg

**SAR(1 g) = 2.96 W/kg; SAR(10 g) = 1.37 W/kg**

Maximum value of SAR (measured) = 4.95 W/kg



0 dB = 4.95 W/kg = 6.95 dBW/kg

## System Check\_Head\_2600MHz

### DUT: D2600V2-1008

Communication System: CW; Frequency: 2600 MHz; Duty Cycle: 1:1

Medium: HSL\_2600\_220428 Medium parameters used:  $f = 2600$  MHz;  $\sigma = 2.042$  S/m;  $\epsilon_r = 38.561$ ;  $\rho = 1000$  kg/m<sup>3</sup>

Ambient Temperature : 23.2 °C; Liquid Temperature : 22.2 °C

DASY5 Configuration:

- Probe: EX3DV4 - SN3931; ConvF(7.3, 7.3, 7.3) @ 2600 MHz; Calibrated: 2021/10/21
- Sensor-Surface: 1.4mm (Mechanical Surface Detection)
- Electronics: DAE4 Sn1399; Calibrated: 2022/2/28
- Phantom: SAM-Middle; Type: SAM; Serial: TP-1503
- Measurement SW: DASY52, Version 52.10 (4); SEMCAD X Version 14.6.14 (7483)

**Pin=250mW/Area Scan (71x71x1):** Interpolated grid: dx=1.200 mm, dy=1.200 mm

Maximum value of SAR (interpolated) = 27.5 W/kg

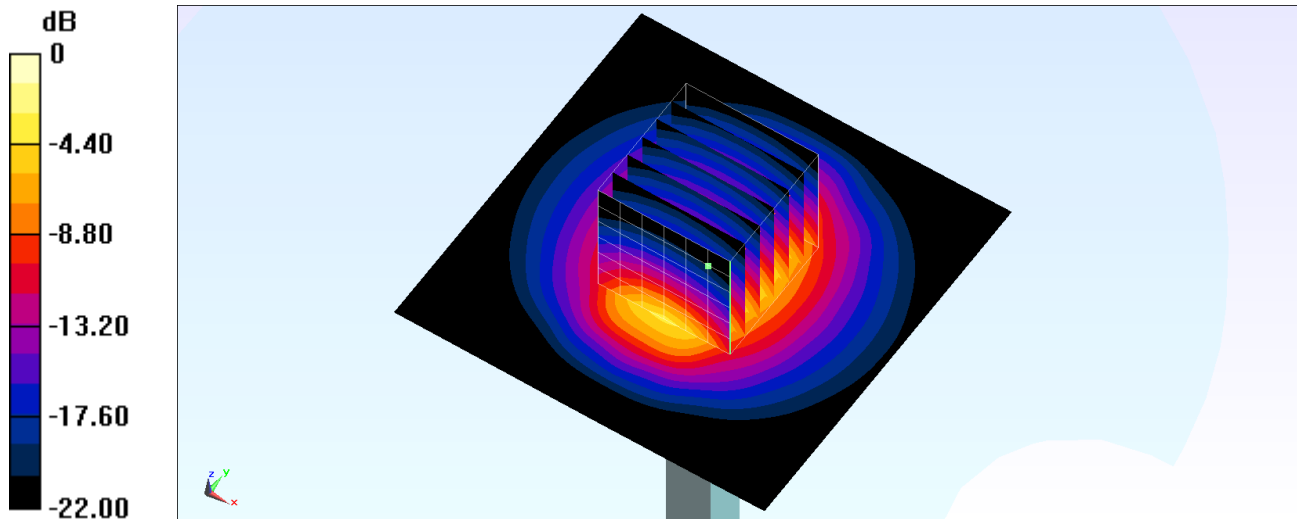
**Pin=250mW/Zoom Scan (7x7x7)/Cube 0:** Measurement grid: dx=5mm, dy=5mm, dz=5mm

Reference Value = 117.4 V/m; Power Drift = -0.19 dB

Peak SAR (extrapolated) = 33.7 W/kg

**SAR(1 g) = 15.4 W/kg; SAR(10 g) = 6.72 W/kg**

Maximum value of SAR (measured) = 26.7 W/kg



0 dB = 26.7 W/kg = 14.27 dBW/kg

## System Check\_Head\_2600MHz

### DUT: D2600V2-1008

Communication System: CW; Frequency: 2600 MHz; Duty Cycle: 1:1

Medium: HSL\_2600\_220429 Medium parameters used:  $f = 2600$  MHz;  $\sigma = 1.948$  S/m;  $\epsilon_r = 38.595$ ;  $\rho = 1000$  kg/m<sup>3</sup>

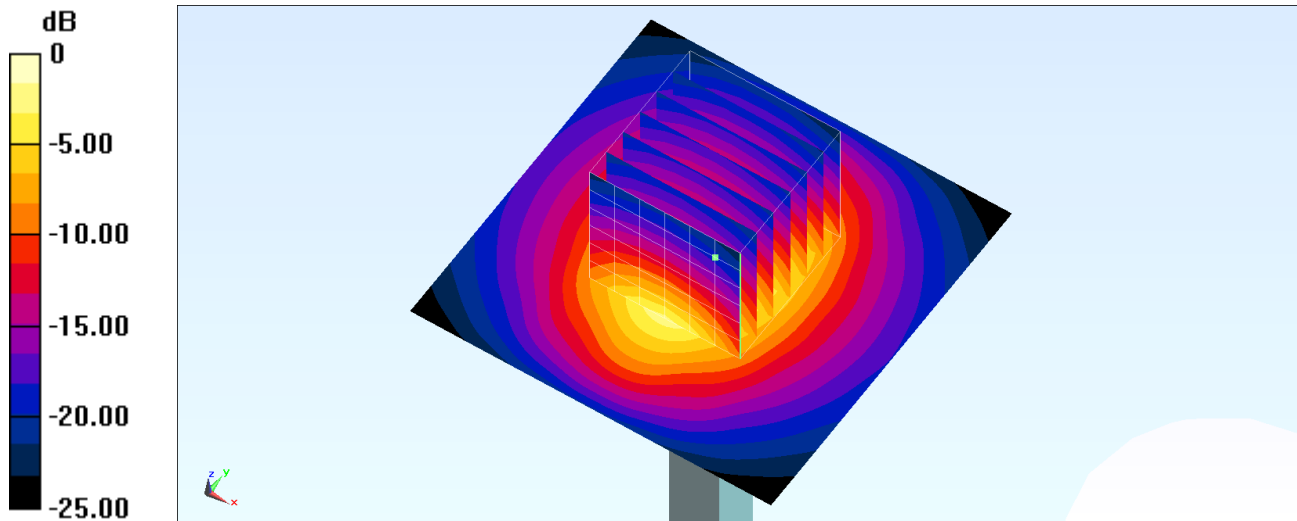
Ambient Temperature : 23.4 °C; Liquid Temperature : 22.4 °C

DASY5 Configuration:

- Probe: EX3DV4 - SN3931; ConvF(7.3, 7.3, 7.3) @ 2600 MHz; Calibrated: 2021/10/21
- Sensor-Surface: 1.4mm (Mechanical Surface Detection)
- Electronics: DAE4 Sn1399; Calibrated: 2022/2/28
- Phantom: SAM-Middle; Type: SAM; Serial: TP-1503
- Measurement SW: DASY52, Version 52.10 (4); SEMCAD X Version 14.6.14 (7483)

**Pin=250mW/Area Scan (61x61x1):** Interpolated grid: dx=1.200 mm, dy=1.200 mm  
Maximum value of SAR (interpolated) = 25.6 W/kg

**Pin=250mW/Zoom Scan (7x7x7)/Cube 0:** Measurement grid: dx=5mm, dy=5mm, dz=5mm  
Reference Value = 124.9 V/m; Power Drift = -0.13 dB  
Peak SAR (extrapolated) = 31.1 W/kg  
**SAR(1 g) = 14.2 W/kg; SAR(10 g) = 6.38 W/kg**  
Maximum value of SAR (measured) = 24.5 W/kg



## System Check\_Head\_2600MHz

### DUT: D2600V2-1008

Communication System: CW; Frequency: 2600 MHz; Duty Cycle: 1:1

Medium: HSL\_2600\_220430 Medium parameters used:  $f = 2600$  MHz;  $\sigma = 1.935$  S/m;  $\epsilon_r = 38.974$ ;  $\rho = 1000$  kg/m<sup>3</sup>

Ambient Temperature : 23.2 °C; Liquid Temperature : 22.2 °C

DASY5 Configuration:

- Probe: EX3DV4 - SN3931; ConvF(7.3, 7.3, 7.3) @ 2600 MHz; Calibrated: 2021/10/21
- Sensor-Surface: 1.4mm (Mechanical Surface Detection)
- Electronics: DAE4 Sn1399; Calibrated: 2022/2/28
- Phantom: SAM-Middle; Type: SAM; Serial: TP-1503
- Measurement SW: DASY52, Version 52.10 (4); SEMCAD X Version 14.6.14 (7483)

**Pin=250mW/Area Scan (61x61x1):** Interpolated grid: dx=1.200 mm, dy=1.200 mm

Maximum value of SAR (interpolated) = 25.3 W/kg

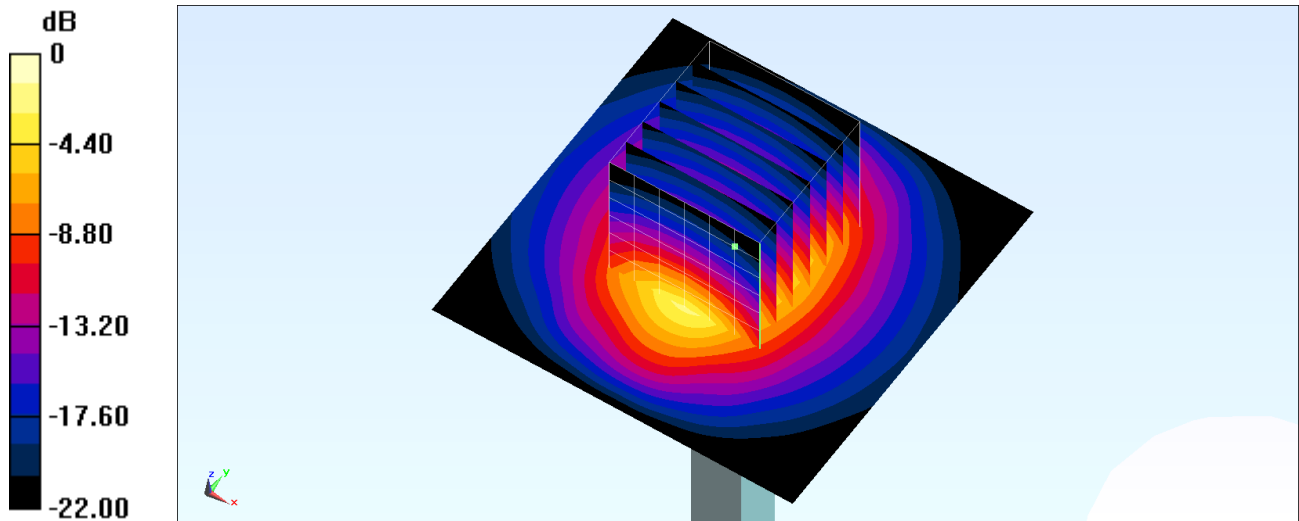
**Pin=250mW/Zoom Scan (7x7x7)/Cube 0:** Measurement grid: dx=5mm, dy=5mm, dz=5mm

Reference Value = 118.1 V/m; Power Drift = -0.04 dB

Peak SAR (extrapolated) = 31.6 W/kg

**SAR(1 g) = 14.3 W/kg; SAR(10 g) = 6.31 W/kg**

Maximum value of SAR (measured) = 25.0 W/kg



0 dB = 25.0 W/kg = 13.98 dBW/kg

## System Check\_Head\_2600MHz

### DUT: D2600V2-1008

Communication System: CW; Frequency: 2600 MHz; Duty Cycle: 1:1

Medium: HSL\_2600\_220508 Medium parameters used:  $f = 2600$  MHz;  $\sigma = 1.978$  S/m;  $\epsilon_r = 39.041$ ;  $\rho = 1000$  kg/m<sup>3</sup>

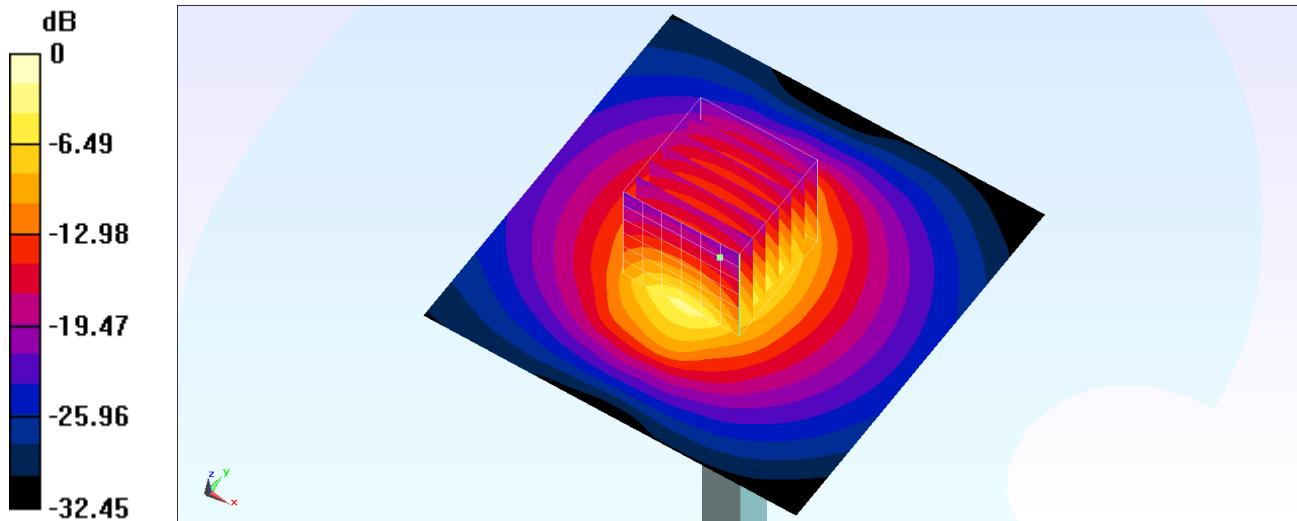
Ambient Temperature : 23.1 °C; Liquid Temperature : 22.1 °C

DASY5 Configuration:

- Probe: EX3DV4 - SN7694; ConvF(7.95, 7.95, 7.95) @ 2600 MHz; Calibrated: 2022/1/24
- Sensor-Surface: 1.4mm (Mechanical Surface Detection)
- Electronics: DAE4 Sn1424; Calibrated: 2022/1/20
- Phantom: SAM-Middle; Type: SAM; Serial: TP-1503
- Measurement SW: DASY52, Version 52.10 (4); SEMCAD X Version 14.6.14 (7483)

**Pin=250mW/Area Scan (81x81x1):** Interpolated grid: dx=1.200 mm, dy=1.200 mm  
Maximum value of SAR (interpolated) = 22.9 W/kg

**Pin=250mW/Zoom Scan (7x7x7)/Cube 0:** Measurement grid: dx=5mm, dy=5mm, dz=5mm  
Reference Value = 106.4 V/m; Power Drift = 0.07 dB  
Peak SAR (extrapolated) = 29.8 W/kg  
**SAR(1 g) = 13.8 W/kg; SAR(10 g) = 6.27 W/kg**  
Maximum value of SAR (measured) = 23.8 W/kg



0 dB = 23.8 W/kg = 13.77 dBW/kg

## System Check\_Head\_2600MHz

### DUT: D2600V2-1008

Communication System: CW; Frequency: 2600 MHz; Duty Cycle: 1:1

Medium: HSL\_2600\_220511 Medium parameters used:  $f = 2600$  MHz;  $\sigma = 2.011$  S/m;  $\epsilon_r = 38.786$ ;  $\rho = 1000$  kg/m<sup>3</sup>

Ambient Temperature : 23.6 °C; Liquid Temperature : 22.6 °C

DASY5 Configuration:

- Probe: ES3DV3 - SN3270; ConvF(4.51, 4.51, 4.51) @ 2600 MHz; Calibrated: 2021/9/21
- Sensor-Surface: 3mm (Mechanical Surface Detection)
- Electronics: DAE4 Sn1512; Calibrated: 2022/3/29
- Phantom: SAM\_Left; Type: SAM; Serial: 1796
- Measurement SW: DASY52, Version 52.10 (4); SEMCAD X Version 14.6.14 (7501)

**Pin=250mW/Area Scan (81x81x1):** Interpolated grid: dx=1.200 mm, dy=1.200 mm

Maximum value of SAR (interpolated) = 25.9 W/kg

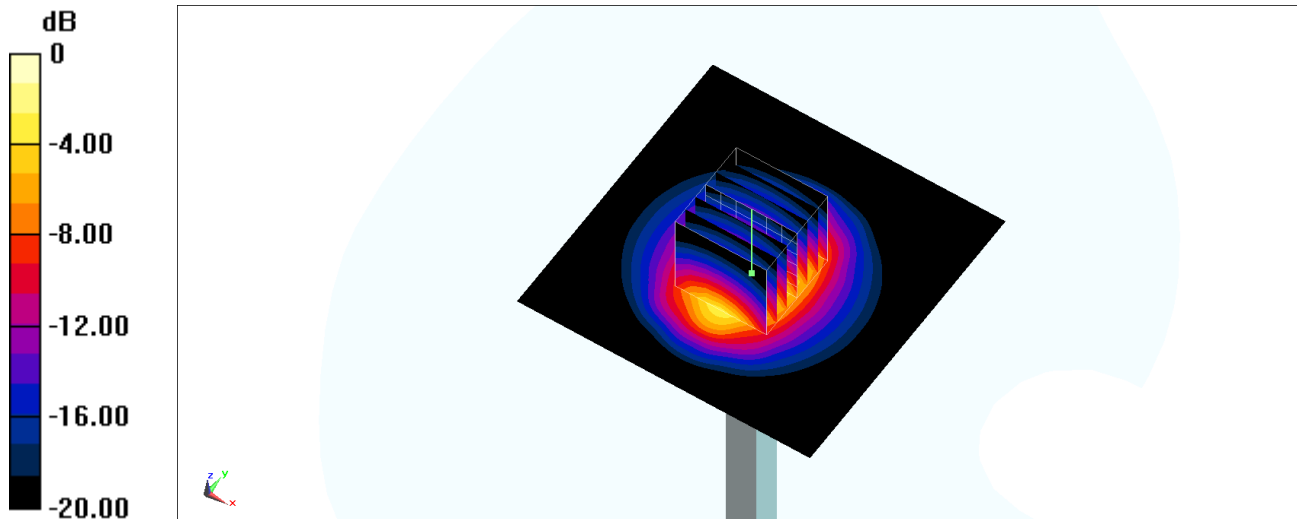
**Pin=250mW/Zoom Scan (7x7x7)/Cube 0:** Measurement grid: dx=5mm, dy=5mm, dz=5mm

Reference Value = 118.0 V/m; Power Drift = -0.01 dB

Peak SAR (extrapolated) = 33.7 W/kg

**SAR(1 g) = 15.6 W/kg; SAR(10 g) = 7 W/kg**

Maximum value of SAR (measured) = 24.4 W/kg



0 dB = 24.4 W/kg = 13.87 dBW/kg

## System Check\_Head\_2600MHz

### DUT: D2600V2-1008

Communication System: CW; Frequency: 2600 MHz; Duty Cycle: 1:1

Medium: HSL\_2600\_220512 Medium parameters used:  $f = 2600$  MHz;  $\sigma = 1.95$  S/m;  $\epsilon_r = 38.62$ ;  $\rho = 1000$  kg/m<sup>3</sup>

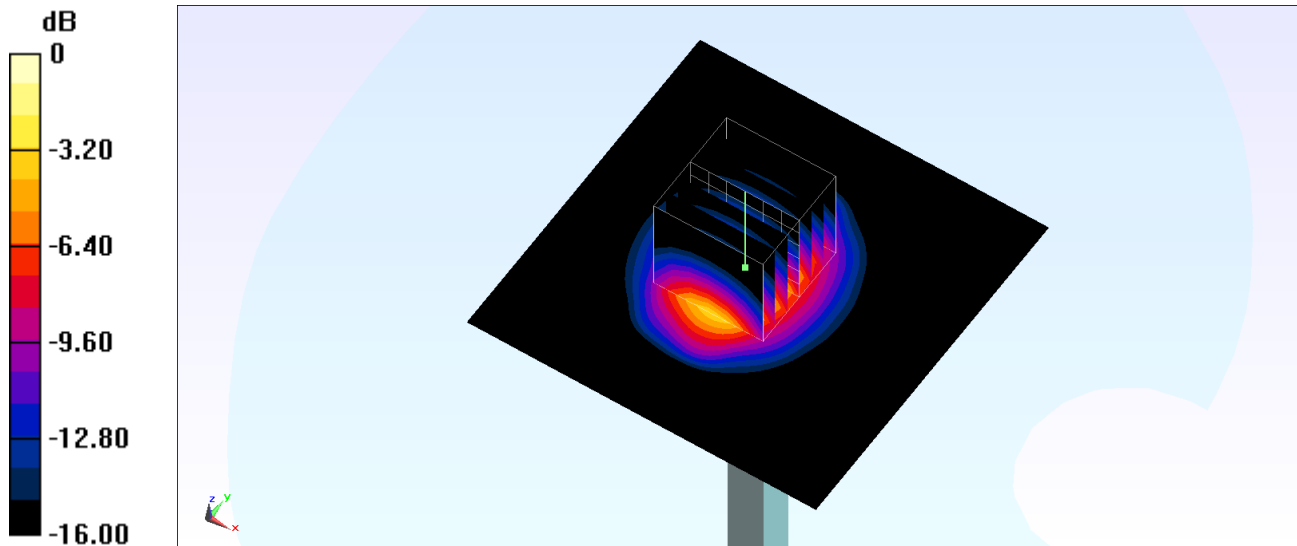
Ambient Temperature : 23.6 °C ; Liquid Temperature : 22.6 °C

DASY5 Configuration:

- Probe: EX3DV4 - SN7625; ConvF(7.56, 7.56, 7.56) @ 2600 MHz; Calibrated: 2022/1/27
- Sensor-Surface: 1.4mm (Mechanical Surface Detection)
- Electronics: DAE4 Sn1696; Calibrated: 2021/11/3
- Phantom: SAM\_Left; Type: SAM; Serial: TP:1682
- Measurement SW: DASY52, Version 52.10 (4); SEMCAD X Version 14.6.14 (7501)

**Pin=250mW/Area Scan (81x81x1):** Interpolated grid: dx=1.200 mm, dy=1.200 mm  
Maximum value of SAR (interpolated) = 24.0 W/kg

**Pin=250mW/Zoom Scan (7x7x7)/Cube 0:** Measurement grid: dx=5mm, dy=5mm, dz=5mm  
Reference Value = 110.4 V/m; Power Drift = 0.18 dB  
Peak SAR (extrapolated) = 31.1 W/kg  
**SAR(1 g) = 14.6 W/kg; SAR(10 g) = 6.61 W/kg**  
Maximum value of SAR (measured) = 24.9 W/kg



0 dB = 24.9 W/kg = 13.96 dBW/kg

## System Check\_Head\_2600MHz

### DUT: D2600V2-1008

Communication System: CW; Frequency: 2600 MHz; Duty Cycle: 1:1

Medium: HSL\_2600\_220512 Medium parameters used:  $f = 2600$  MHz;  $\sigma = 1.956$  S/m;  $\epsilon_r = 39.069$ ;  $\rho = 1000$  kg/m<sup>3</sup>

Ambient Temperature : 23.6 °C; Liquid Temperature : 22.6 °C

DASY5 Configuration:

- Probe: EX3DV4 - SN3931; ConvF(7.3, 7.3, 7.3) @ 2600 MHz; Calibrated: 2021/10/21
- Sensor-Surface: 1.4mm (Mechanical Surface Detection)
- Electronics: DAE4 Sn1399; Calibrated: 2022/2/28
- Phantom: SAM\_Left; Type: SAM; Serial: 1796
- Measurement SW: DASY52, Version 52.10 (4); SEMCAD X Version 14.6.14 (7501)

**Pin=50mW/Area Scan (71x71x1):** Interpolated grid: dx=1.200 mm, dy=1.200 mm

Maximum value of SAR (interpolated) = 4.79 W/kg

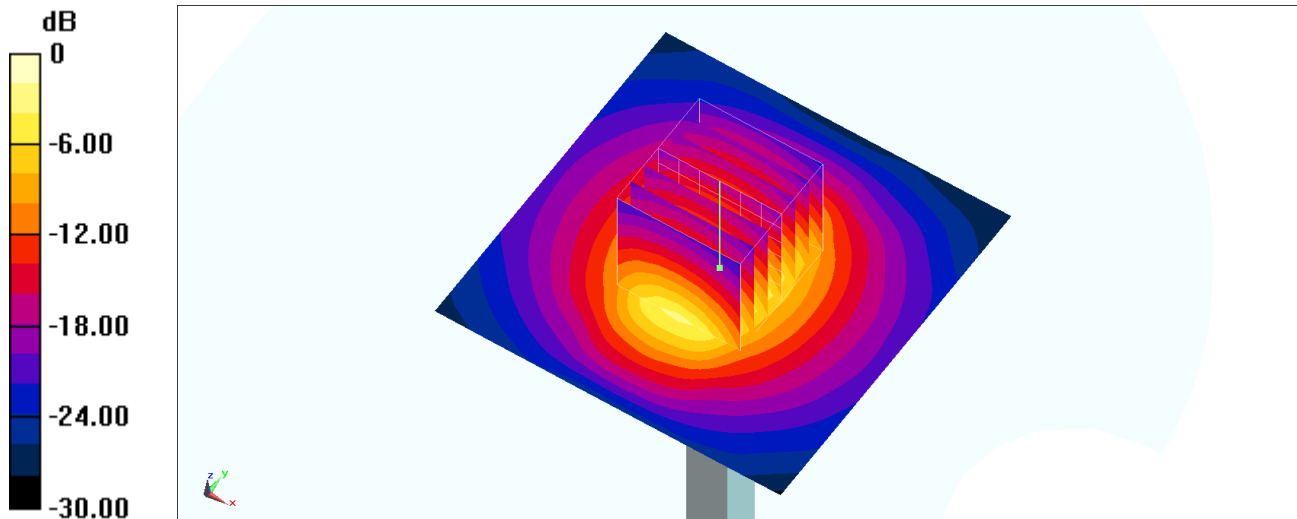
**Pin=50mW/Zoom Scan (7x7x7)/Cube 0:** Measurement grid: dx=5mm, dy=5mm, dz=5mm

Reference Value = 51.52 V/m; Power Drift = -0.02 dB

Peak SAR (extrapolated) = 5.82 W/kg

**SAR(1 g) = 2.82 W/kg; SAR(10 g) = 1.28 W/kg**

Maximum value of SAR (measured) = 4.75 W/kg





## System Check\_Head\_2600MHz

### DUT: D2600V2-1008

Communication System: CW; Frequency: 2600 MHz; Duty Cycle: 1:1

Medium: HSL\_2600\_220515 Medium parameters used:  $f = 2600$  MHz;  $\sigma = 1.944$  S/m;  $\epsilon_r = 39.051$ ;  $\rho = 1000$  kg/m<sup>3</sup>

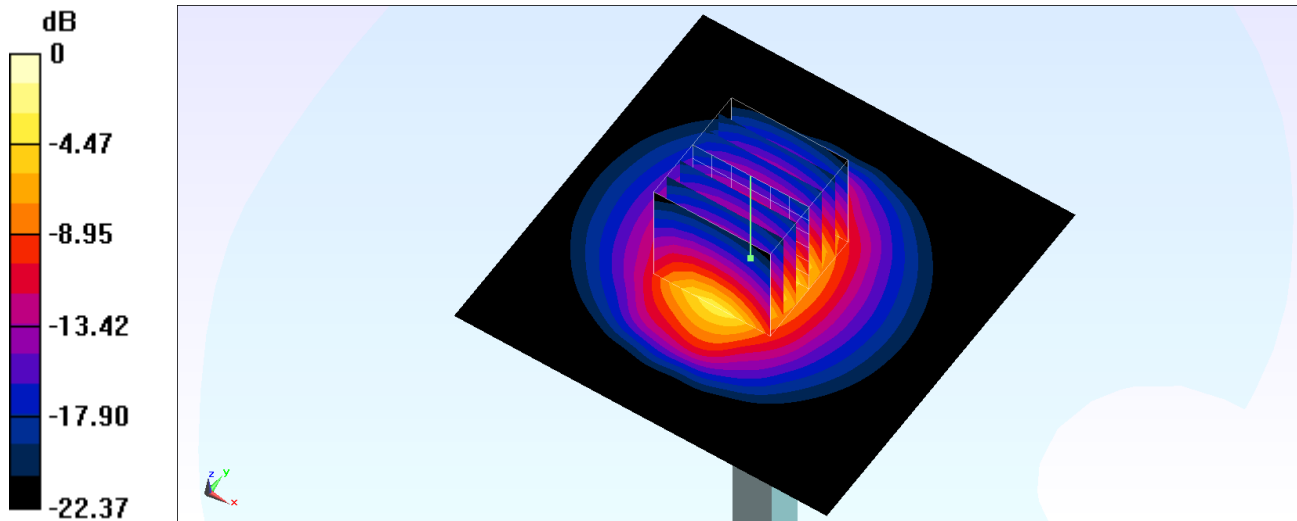
Ambient Temperature : 23.3 °C; Liquid Temperature : 22.3 °C

DASY5 Configuration:

- Probe: EX3DV4 - SN7694; ConvF(7.95, 7.95, 7.95) @ 2600 MHz; Calibrated: 2022/1/24
- Sensor-Surface: 1.4mm (Mechanical Surface Detection)
- Electronics: DAE4 Sn1424; Calibrated: 2022/1/20
- Phantom: SAM-Middle; Type: SAM; Serial: TP-1503
- Measurement SW: DASY52, Version 52.10 (4); SEMCAD X Version 14.6.14 (7483)

**Pin=250mW/Area Scan (81x81x1):** Interpolated grid: dx=1.200 mm, dy=1.200 mm  
Maximum value of SAR (interpolated) = 22.5 W/kg

**Pin=250mW/Zoom Scan (7x7x7)/Cube 0:** Measurement grid: dx=5mm, dy=5mm, dz=5mm  
Reference Value = 106.4 V/m; Power Drift = 0.18 dB  
Peak SAR (extrapolated) = 29.3 W/kg  
**SAR(1 g) = 13.6 W/kg; SAR(10 g) = 6.16 W/kg**  
Maximum value of SAR (measured) = 23.4 W/kg



## System Check\_Head\_3500MHz

### DUT: D3500V2 - SN1014

Communication System: CW; Frequency: 3500 MHz; Duty Cycle: 1:1

Medium: HSL\_3500\_220415 Medium parameters used:  $f = 3500$  MHz;  $\sigma = 2.846$  S/m;  $\epsilon_r = 37.56$ ;  $\rho = 1000$  kg/m<sup>3</sup>

Ambient Temperature : 23.6 °C ; Liquid Temperature : 22.6 °C

#### DASY5 Configuration:

- Probe: EX3DV4 - SN7625; ConvF(7, 7, 7) @ 3500 MHz; Calibrated: 2022/1/27
- Sensor-Surface: 1.4mm (Mechanical Surface Detection)
- Electronics: DAE4 Sn1696; Calibrated: 2021/11/3
- Phantom: SAM\_Right; Type: QD000P40CD; Serial: TP:1681
- Measurement SW: DASY52, Version 52.10 (4); SEMCAD X Version 14.6.14 (7501)

**Pin=100mW/Area Scan (71x71x1):** Interpolated grid: dx=1.200 mm, dy=1.200 mm

Maximum value of SAR (interpolated) = 12.8 W/kg

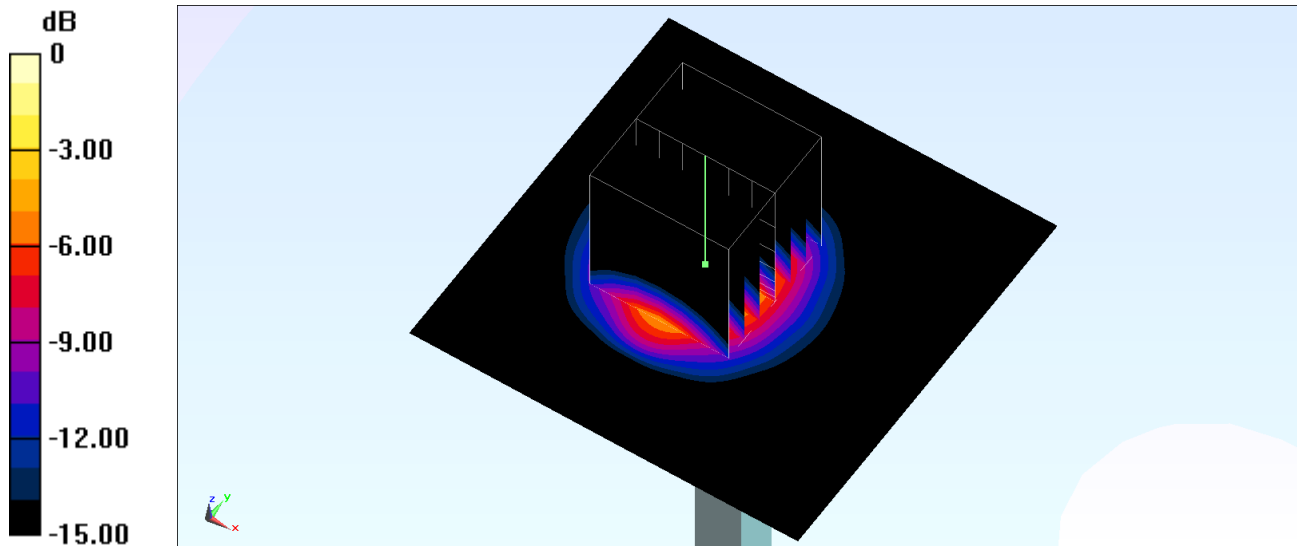
**Pin=100mW/Zoom Scan (7x7x8)/Cube 0:** Measurement grid: dx=5mm, dy=5mm, dz=1.4mm

Reference Value = 58.86 V/m; Power Drift = 0.03 dB

Peak SAR (extrapolated) = 17.5 W/kg

**SAR(1 g) = 6.2 W/kg; SAR(10 g) = 2.3 W/kg**

Maximum value of SAR (measured) = 12.5 W/kg



## System Check\_Head\_3500MHz

### DUT: D3500V2-1014

Communication System: CW; Frequency: 3500 MHz; Duty Cycle: 1:1

Medium: HSL\_3500\_220423 Medium parameters used:  $f = 3500$  MHz;  $\sigma = 2.983$  S/m;  $\epsilon_r = 37.75$ ;  $\rho = 1000$  kg/m<sup>3</sup>

Ambient Temperature : 23.5 °C ; Liquid Temperature : 22.5 °C

DASY5 Configuration:

- Probe: EX3DV4 - SN7694; ConvF(6.99, 6.99, 6.99) @ 3500 MHz; Calibrated: 2022/1/24
- Sensor-Surface: 1.4mm (Mechanical Surface Detection)
- Electronics: DAE4 Sn1424; Calibrated: 2022/1/20
- Phantom: SAM\_Left; Type: SAM; Serial: TP:1477
- Measurement SW: DASY52, Version 52.10 (4); SEMCAD X Version 14.6.14 (7483)

**Pin=50mW/Area Scan (61x61x1):** Interpolated grid: dx=1.200 mm, dy=1.200 mm

Maximum value of SAR (interpolated) = 6.01 W/kg

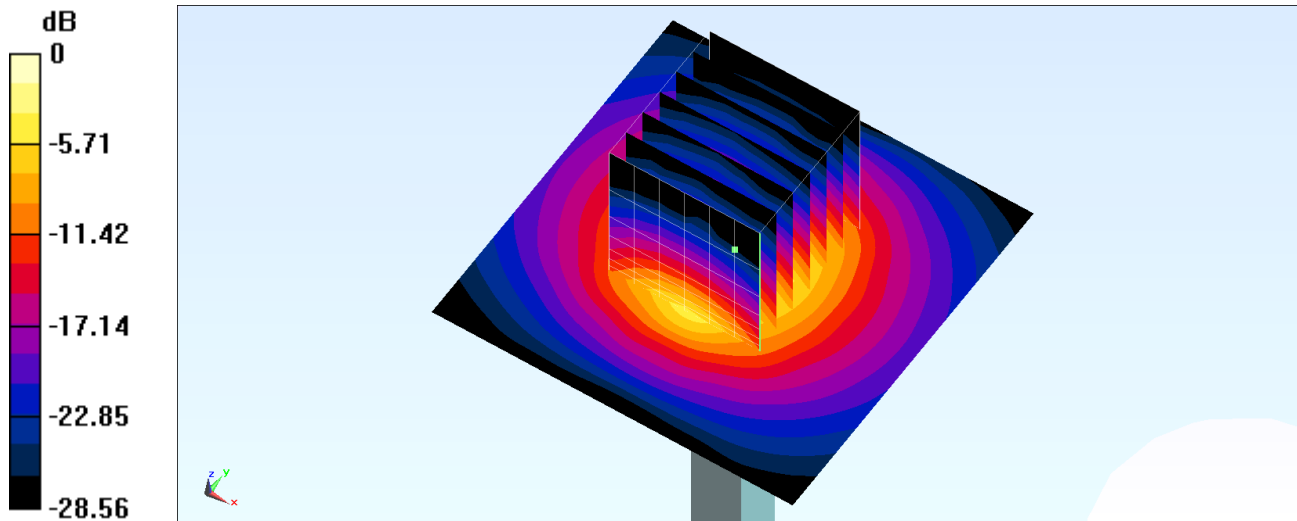
**Pin=50mW/Zoom Scan (7x7x8)/Cube 0:** Measurement grid: dx=5mm, dy=5mm, dz=1.4mm

Reference Value = 46.58 V/m; Power Drift = 0.05 dB

Peak SAR (extrapolated) = 8.02 W/kg

**SAR(1 g) = 3.13 W/kg; SAR(10 g) = 1.2 W/kg**

Maximum value of SAR (measured) = 6.03 W/kg



0 dB = 6.03 W/kg = 7.80 dBW/kg

## System Check\_Head\_3500MHz

### DUT: D3500V2-1014

Communication System: CW; Frequency: 3500 MHz; Duty Cycle: 1:1

Medium: HSL\_3500\_220424 Medium parameters used:  $f = 3500$  MHz;  $\sigma = 2.972$  S/m;  $\epsilon_r = 37.695$ ;  $\rho = 1000$  kg/m<sup>3</sup>

Ambient Temperature : 23.4 °C; Liquid Temperature : 22.4 °C

DASY5 Configuration:

- Probe: EX3DV4 - SN7694; ConvF(6.99, 6.99, 6.99) @ 3500 MHz; Calibrated: 2022/1/24
- Sensor-Surface: 1.4mm (Mechanical Surface Detection)
- Electronics: DAE4 Sn1424; Calibrated: 2022/1/20
- Phantom: SAM\_Left; Type: SAM; Serial: TP:1477
- Measurement SW: DASY52, Version 52.10 (4); SEMCAD X Version 14.6.14 (7483)

**Pin=50mW/Area Scan (61x61x1):** Interpolated grid: dx=1.200 mm, dy=1.200 mm

Maximum value of SAR (interpolated) = 5.98 W/kg

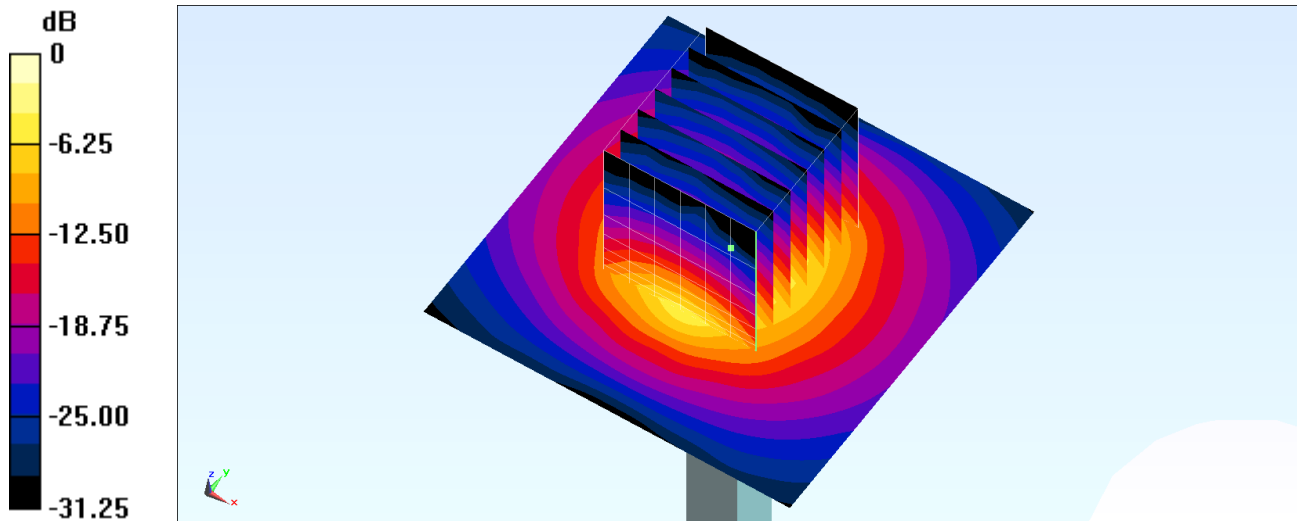
**Pin=50mW/Zoom Scan (7x7x8)/Cube 0:** Measurement grid: dx=5mm, dy=5mm, dz=1.4mm

Reference Value = 46.58 V/m; Power Drift = 0.03 dB

Peak SAR (extrapolated) = 7.99 W/kg

**SAR(1 g) = 3.12 W/kg; SAR(10 g) = 1.19 W/kg**

Maximum value of SAR (measured) = 6.01 W/kg



0 dB = 6.01 W/kg = 7.79 dBW/kg

## System Check\_Head\_3500MHz

### DUT: D3500V2-1014

Communication System: CW; Frequency: 3500 MHz; Duty Cycle: 1:1

Medium: HSL\_3500\_220425 Medium parameters used:  $f = 3500$  MHz;  $\sigma = 2.971$  S/m;  $\epsilon_r = 37.695$ ;  $\rho = 1000$  kg/m<sup>3</sup>

Ambient Temperature : 23.7 °C; Liquid Temperature : 22.7 °C

DASY5 Configuration:

- Probe: EX3DV4 - SN7694; ConvF(6.99, 6.99, 6.99) @ 3500 MHz; Calibrated: 2022/1/24
- Sensor-Surface: 1.4mm (Mechanical Surface Detection)
- Electronics: DAE4 Sn1424; Calibrated: 2022/1/20
- Phantom: SAM\_Left; Type: SAM; Serial: TP:1477
- Measurement SW: DASY52, Version 52.10 (4); SEMCAD X Version 14.6.14 (7483)

**Pin=50mW/Area Scan (61x61x1):** Interpolated grid: dx=1.200 mm, dy=1.200 mm

Maximum value of SAR (interpolated) = 5.98 W/kg

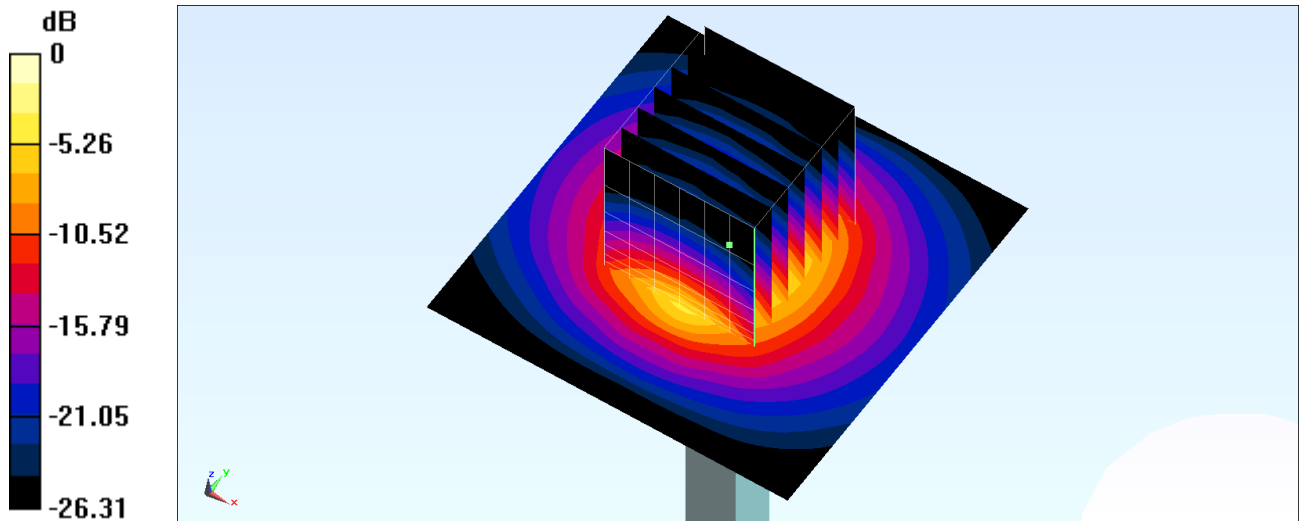
**Pin=50mW/Zoom Scan (7x7x8)/Cube 0:** Measurement grid: dx=5mm, dy=5mm, dz=1.4mm

Reference Value = 46.58 V/m; Power Drift = 0.03 dB

Peak SAR (extrapolated) = 7.99 W/kg

**SAR(1 g) = 3.12 W/kg; SAR(10 g) = 1.19 W/kg**

Maximum value of SAR (measured) = 6.00 W/kg



0 dB = 6.00 W/kg = 7.78 dBW/kg

## System Check\_Head\_3500MHz

### DUT: D3500V2-1014

Communication System: CW; Frequency: 3500 MHz; Duty Cycle: 1:1

Medium: HSL\_3500\_220503 Medium parameters used:  $f = 3500$  MHz;  $\sigma = 2.956$  S/m;  $\epsilon_r = 37.629$ ;  $\rho = 1000$  kg/m<sup>3</sup>

Ambient Temperature : 23.6 °C ; Liquid Temperature : 22.6 °C

DASY5 Configuration:

- Probe: EX3DV4 - SN3931; ConvF(7.14, 7.14, 7.14) @ 3500 MHz; Calibrated: 2021/10/21
- Sensor-Surface: 1.4mm (Mechanical Surface Detection)
- Electronics: DAE4 Sn1399; Calibrated: 2022/2/28
- Phantom: SAM\_Left; Type: SAM; Serial: TP:1477
- Measurement SW: DASY52, Version 52.10 (4); SEMCAD X Version 14.6.14 (7483)

**Pin=50mW/Area Scan (61x61x1):** Interpolated grid: dx=1.200 mm, dy=1.200 mm

Maximum value of SAR (interpolated) = 6.24 W/kg

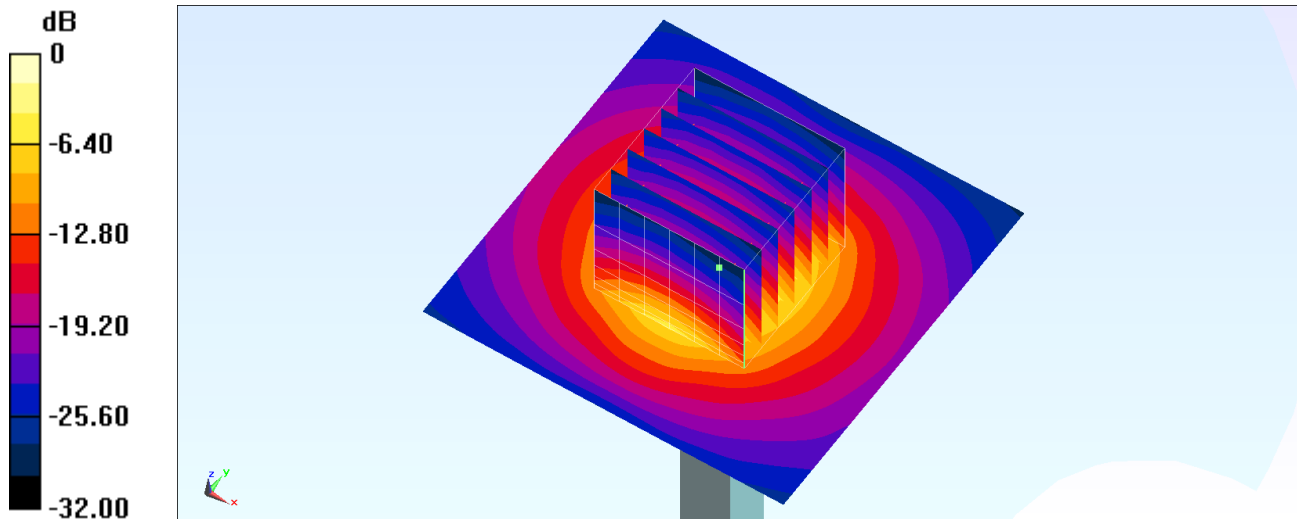
**Pin=50mW/Zoom Scan (7x7x7)/Cube 0:** Measurement grid: dx=5mm, dy=5mm, dz=1.4mm

Reference Value = 47.88 V/m; Power Drift = 0.12 dB

Peak SAR (extrapolated) = 9.80 W/kg

**SAR(1 g) = 3.56 W/kg; SAR(10 g) = 1.34 W/kg**

Maximum value of SAR (measured) = 7.06 W/kg



## System Check\_Head\_3500MHz

### DUT: D3500V2-1014

Communication System: CW; Frequency: 3500 MHz; Duty Cycle: 1:1

Medium: HSL\_3500\_220506 Medium parameters used:  $f = 3500$  MHz;  $\sigma = 3.021$  S/m;  $\epsilon_r = 38.254$ ;  $\rho = 1000$  kg/m<sup>3</sup>

Ambient Temperature : 23.3 °C ; Liquid Temperature : 22.3 °C

DASY5 Configuration:

- Probe: EX3DV4 - SN7694; ConvF(6.99, 6.99, 6.99) @ 3500 MHz; Calibrated: 2022/1/24
- Sensor-Surface: 1.4mm (Mechanical Surface Detection)
- Electronics: DAE4 Sn1424; Calibrated: 2022/1/20
- Phantom: SAM\_Left; Type: SAM; Serial: TP:1477
- Measurement SW: DASY52, Version 52.10 (4); SEMCAD X Version 14.6.14 (7483)

**Pin=50mW/Area Scan (61x61x1):** Interpolated grid: dx=1.200 mm, dy=1.200 mm

Maximum value of SAR (interpolated) = 6.08 W/kg

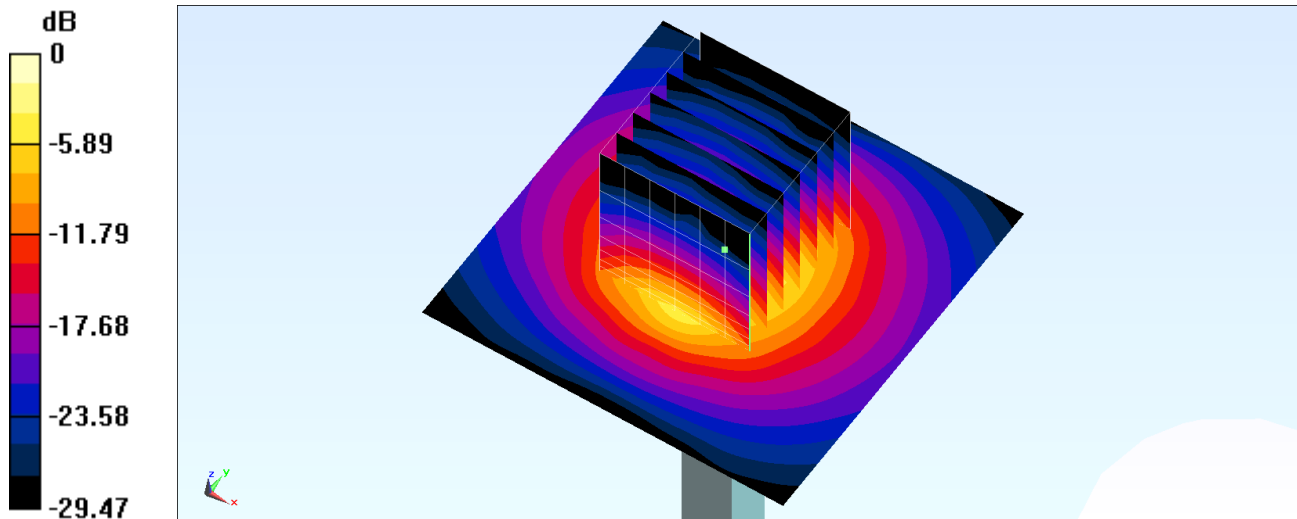
**Pin=50mW/Zoom Scan (7x7x8)/Cube 0:** Measurement grid: dx=5mm, dy=5mm, dz=1.4mm

Reference Value = 46.58 V/m; Power Drift = 0.03 dB

Peak SAR (extrapolated) = 8.12 W/kg

**SAR(1 g) = 3.17 W/kg; SAR(10 g) = 1.21 W/kg**

Maximum value of SAR (measured) = 6.10 W/kg



0 dB = 6.10 W/kg = 7.85 dBW/kg

## System Check\_Head\_3500MHz

### DUT: D3500V2-1014

Communication System: CW; Frequency: 3500 MHz; Duty Cycle: 1:1

Medium: HSL\_3500\_220507 Medium parameters used:  $f = 3500$  MHz;  $\sigma = 2.979$  S/m;  $\epsilon_r = 37.807$ ;  $\rho = 1000$  kg/m<sup>3</sup>

Ambient Temperature : 23.1 °C ; Liquid Temperature : 22.1 °C

DASY5 Configuration:

- Probe: EX3DV4 - SN3931; ConvF(7.14, 7.14, 7.14) @ 3500 MHz; Calibrated: 2021/10/21
- Sensor-Surface: 1.4mm (Mechanical Surface Detection)
- Electronics: DAE4 Sn1399; Calibrated: 2022/2/28
- Phantom: SAM\_Left; Type: SAM; Serial: TP:1477
- Measurement SW: DASY52, Version 52.10 (4); SEMCAD X Version 14.6.14 (7483)

**Pin=100mW/Area Scan (61x61x1):** Interpolated grid: dx=1.200 mm, dy=1.200 mm

Maximum value of SAR (interpolated) = 14.0 W/kg

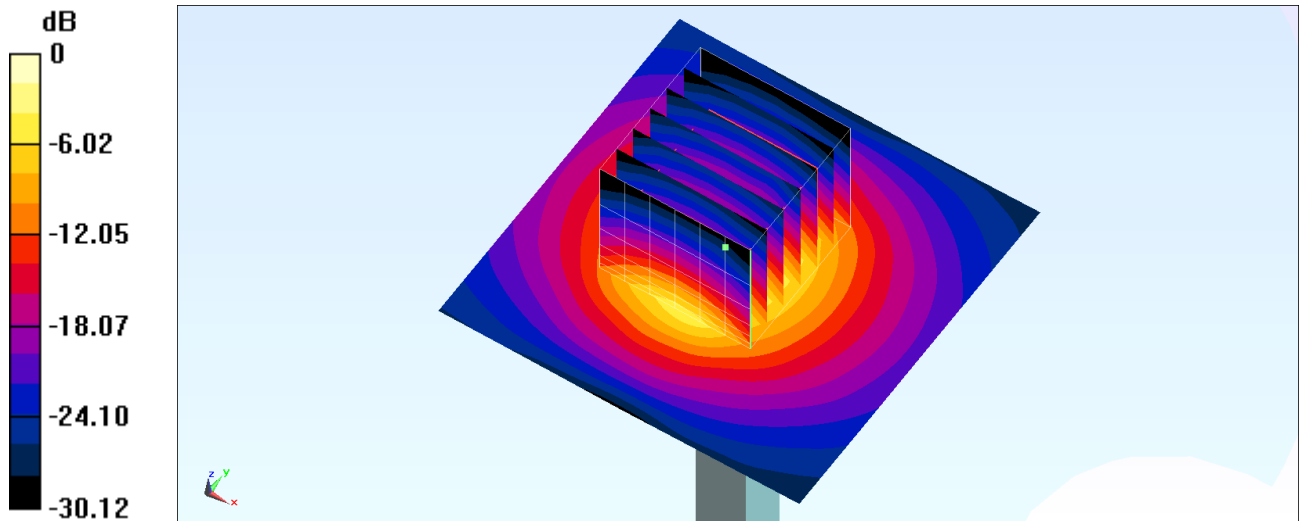
**Pin=100mW/Zoom Scan (7x7x7)/Cube 0:** Measurement grid: dx=5mm, dy=5mm, dz=1.4mm

Reference Value = 70.64 V/m; Power Drift = 0.04 dB

Peak SAR (extrapolated) = 19.2 W/kg

**SAR(1 g) = 6.94 W/kg; SAR(10 g) = 2.56 W/kg**

Maximum value of SAR (measured) = 13.8 W/kg



0 dB = 13.8 W/kg = 11.40 dBW/kg



## System Check\_Head\_3500MHz

### DUT: D3500V2-1014

Communication System: CW; Frequency: 3500 MHz; Duty Cycle: 1:1

Medium: HSL\_3500\_220528 Medium parameters used:  $f = 3500$  MHz;  $\sigma = 3.002$  S/m;  $\epsilon_r = 38.819$ ;  $\rho = 1000$  kg/m<sup>3</sup>

Ambient Temperature : 23.2 °C; Liquid Temperature : 22.2 °C

#### DASY5 Configuration:

- Probe: EX3DV4 - SN7694; ConvF(6.99, 6.99, 6.99) @ 3500 MHz; Calibrated: 2022/1/24
- Sensor-Surface: 1.4mm (Mechanical Surface Detection)
- Electronics: DAE4 Sn1424; Calibrated: 2022/1/20
- Phantom: SAM\_Left; Type: SAM; Serial: TP:1477
- Measurement SW: DASY52, Version 52.10 (4); SEMCAD X Version 14.6.14 (7483)

**Pin=50mW/Area Scan (61x61x1):** Interpolated grid: dx=1.200 mm, dy=1.200 mm

Maximum value of SAR (interpolated) = 6.04 W/kg

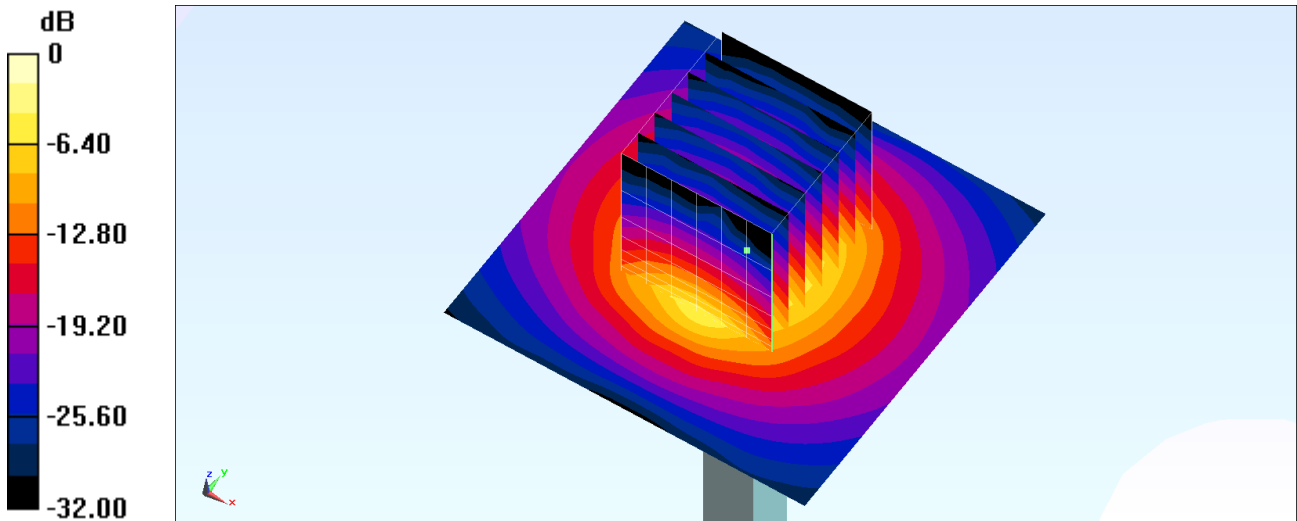
**Pin=50mW/Zoom Scan (7x7x8)/Cube 0:** Measurement grid: dx=5mm, dy=5mm, dz=1.4mm

Reference Value = 46.58 V/m; Power Drift = 0.12 dB

Peak SAR (extrapolated) = 8.07 W/kg

**SAR(1 g) = 3.15 W/kg; SAR(10 g) = 1.2 W/kg**

Maximum value of SAR (measured) = 6.07 W/kg



0 dB = 6.07 W/kg = 7.83 dBW/kg

## System Check\_Head\_3700MHz

### DUT: D3700V2-1022

Communication System: CW; Frequency: 3700 MHz; Duty Cycle: 1:1

Medium: HSL\_3700\_220423 Medium parameters used:  $f = 3700$  MHz;  $\sigma = 3.195$  S/m;  $\epsilon_r = 37.548$ ;  $\rho = 1000$  kg/m<sup>3</sup>

Ambient Temperature : 23.5 °C ; Liquid Temperature : 22.5 °C

DASY5 Configuration:

- Probe: EX3DV4 - SN7694; ConvF(6.8, 6.8, 6.8) @ 3700 MHz; Calibrated: 2022/1/24
- Sensor-Surface: 1.4mm (Mechanical Surface Detection)
- Electronics: DAE4 Sn1424; Calibrated: 2022/1/20
- Phantom: SAM\_Left; Type: SAM; Serial: TP:1477
- Measurement SW: DASY52, Version 52.10 (4); SEMCAD X Version 14.6.14 (7483)

**Pin=50mW/Area Scan (61x61x1):** Interpolated grid: dx=1.200 mm, dy=1.200 mm

Maximum value of SAR (interpolated) = 6.47 W/kg

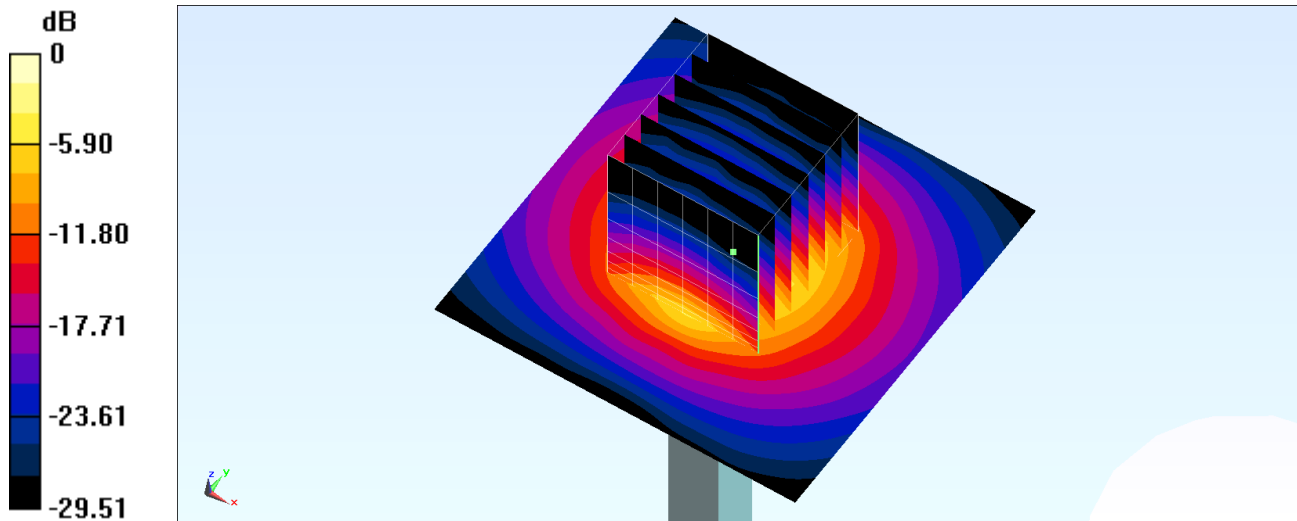
**Pin=50mW/Zoom Scan (7x7x8)/Cube 0:** Measurement grid: dx=5mm, dy=5mm, dz=1.4mm

Reference Value = 47.14 V/m; Power Drift = 0.10 dB

Peak SAR (extrapolated) = 8.72 W/kg

**SAR(1 g) = 3.25 W/kg; SAR(10 g) = 1.2 W/kg**

Maximum value of SAR (measured) = 6.45 W/kg



## System Check\_Head\_3700MHz

### DUT: D3700V2-1022

Communication System: CW; Frequency: 3700 MHz; Duty Cycle: 1:1

Medium: HSL\_3700\_220424 Medium parameters used:  $f = 3700$  MHz;  $\sigma = 3.184$  S/m;  $\epsilon_r = 37.493$ ;  $\rho = 1000$  kg/m<sup>3</sup>

Ambient Temperature : 23.4 °C ; Liquid Temperature : 22.4 °C

#### DASY5 Configuration:

- Probe: EX3DV4 - SN7694; ConvF(6.8, 6.8, 6.8) @ 3700 MHz; Calibrated: 2022/1/24
- Sensor-Surface: 1.4mm (Mechanical Surface Detection)
- Electronics: DAE4 Sn1424; Calibrated: 2022/1/20
- Phantom: SAM\_Left; Type: SAM; Serial: TP:1477
- Measurement SW: DASY52, Version 52.10 (4); SEMCAD X Version 14.6.14 (7483)

**Pin=50mW/Area Scan (61x61x1):** Interpolated grid: dx=1.200 mm, dy=1.200 mm

Maximum value of SAR (interpolated) = 6.45 W/kg

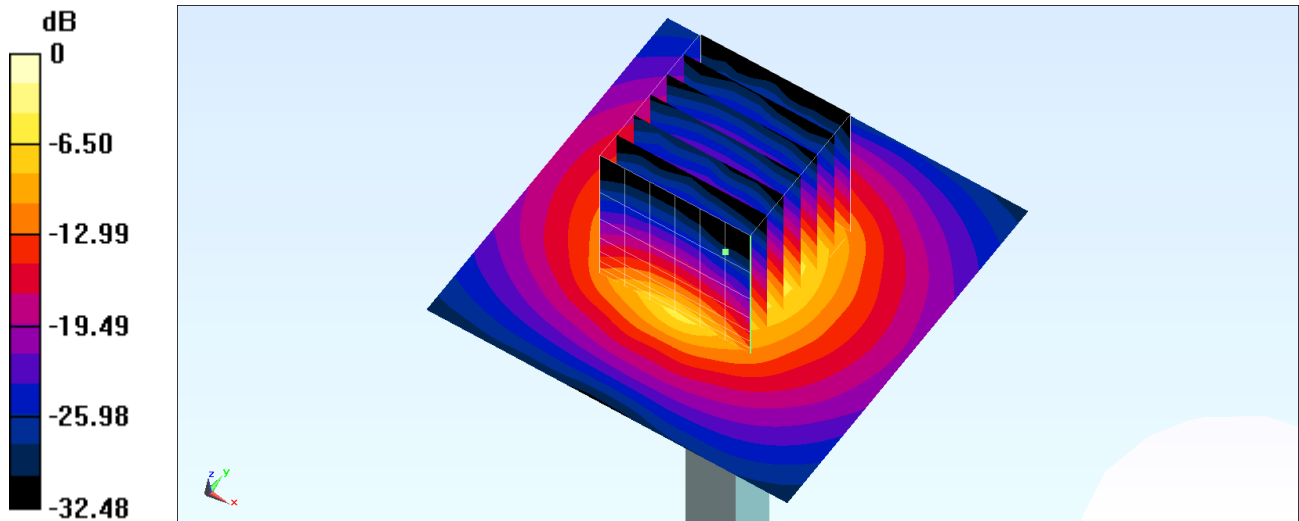
**Pin=50mW/Zoom Scan (7x7x8)/Cube 0:** Measurement grid: dx=5mm, dy=5mm, dz=1.4mm

Reference Value = 47.14 V/m; Power Drift = 0.02 dB

Peak SAR (extrapolated) = 8.69 W/kg

**SAR(1 g) = 3.24 W/kg; SAR(10 g) = 1.2 W/kg**

Maximum value of SAR (measured) = 6.43 W/kg



0 dB = 6.43 W/kg = 8.08 dBW/kg

## System Check\_Head\_3700MHz

### DUT: D3700V2-1022

Communication System: CW; Frequency: 3700 MHz; Duty Cycle: 1:1

Medium: HSL\_3700\_220425 Medium parameters used:  $f = 3700$  MHz;  $\sigma = 3.183$  S/m;  $\epsilon_r = 37.493$ ;  $\rho = 1000$  kg/m<sup>3</sup>

Ambient Temperature : 23.7 °C; Liquid Temperature : 22.7 °C

DASY5 Configuration:

- Probe: EX3DV4 - SN7694; ConvF(6.8, 6.8, 6.8) @ 3700 MHz; Calibrated: 2022/1/24
- Sensor-Surface: 1.4mm (Mechanical Surface Detection)
- Electronics: DAE4 Sn1424; Calibrated: 2022/1/20
- Phantom: SAM\_Left; Type: SAM; Serial: TP:1477
- Measurement SW: DASY52, Version 52.10 (4); SEMCAD X Version 14.6.14 (7483)

**Pin=50mW/Area Scan (61x61x1):** Interpolated grid: dx=1.200 mm, dy=1.200 mm

Maximum value of SAR (interpolated) = 6.45 W/kg

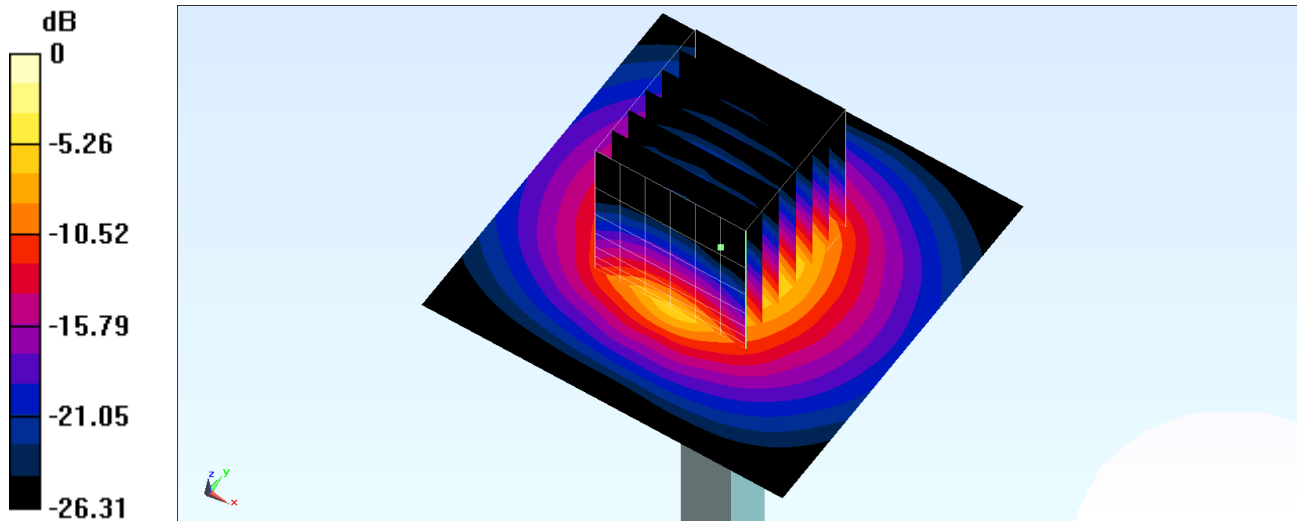
**Pin=50mW/Zoom Scan (7x7x8)/Cube 0:** Measurement grid: dx=5mm, dy=5mm, dz=1.4mm

Reference Value = 47.14 V/m; Power Drift = 0.04 dB

Peak SAR (extrapolated) = 8.69 W/kg

**SAR(1 g) = 3.24 W/kg; SAR(10 g) = 1.2 W/kg**

Maximum value of SAR (measured) = 6.42 W/kg



## System Check\_Head\_3700MHz

### DUT: D3700V2-1022

Communication System: CW; Frequency: 3700 MHz; Duty Cycle: 1:1

Medium: HSL\_3700\_220503 Medium parameters used:  $f = 3700$  MHz;  $\sigma = 3.142$  S/m;  $\epsilon_r = 37.33$ ;  $\rho = 1000$  kg/m<sup>3</sup>

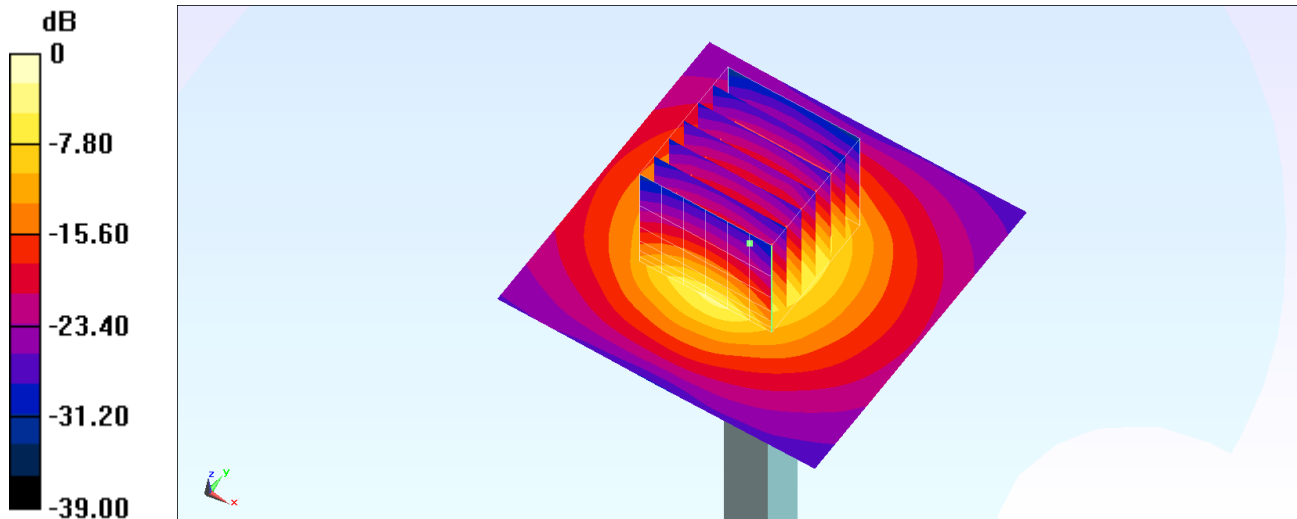
Ambient Temperature : 23.6 °C ; Liquid Temperature : 22.6 °C

DASY5 Configuration:

- Probe: EX3DV4 - SN3931; ConvF(7.03, 7.03, 7.03) @ 3700 MHz; Calibrated: 2021/10/21
- Sensor-Surface: 1.4mm (Mechanical Surface Detection)
- Electronics: DAE4 Sn1399; Calibrated: 2022/2/28
- Phantom: SAM\_Left; Type: SAM; Serial: TP:1477
- Measurement SW: DASY52, Version 52.10 (4); SEMCAD X Version 14.6.14 (7483)

**Pin=100mW/Area Scan (61x61x1):** Interpolated grid: dx=1.200 mm, dy=1.200 mm  
Maximum value of SAR (interpolated) = 15.0 W/kg

**Pin=100mW/Zoom Scan (7x7x7)/Cube 0:** Measurement grid: dx=5mm, dy=5mm, dz=1.4mm  
Reference Value = 71.19 V/m; Power Drift = 0.12 dB  
Peak SAR (extrapolated) = 20.5 W/kg  
**SAR(1 g) = 7.33 W/kg; SAR(10 g) = 2.65 W/kg**  
Maximum value of SAR (measured) = 14.8 W/kg



0 dB = 14.8 W/kg = 11.70 dBW/kg

## System Check\_Head\_3700MHz

### DUT: D3700V2-1022

Communication System: CW; Frequency: 3700 MHz; Duty Cycle: 1:1

Medium: HSL\_3700\_220506 Medium parameters used:  $f = 3700$  MHz;  $\sigma = 3.236$  S/m;  $\epsilon_r = 38.052$ ;  $\rho = 1000$  kg/m<sup>3</sup>

Ambient Temperature : 23.3 °C ; Liquid Temperature : 22.3 °C

DASY5 Configuration:

- Probe: EX3DV4 - SN7694; ConvF(6.8, 6.8, 6.8) @ 3700 MHz; Calibrated: 2022/1/24
- Sensor-Surface: 1.4mm (Mechanical Surface Detection)
- Electronics: DAE4 Sn1424; Calibrated: 2022/1/20
- Phantom: SAM\_Left; Type: SAM; Serial: TP:1477
- Measurement SW: DASY52, Version 52.10 (4); SEMCAD X Version 14.6.14 (7483)

**Pin=50mW/Area Scan (61x61x1):** Interpolated grid: dx=1.200 mm, dy=1.200 mm

Maximum value of SAR (interpolated) = 6.55 W/kg

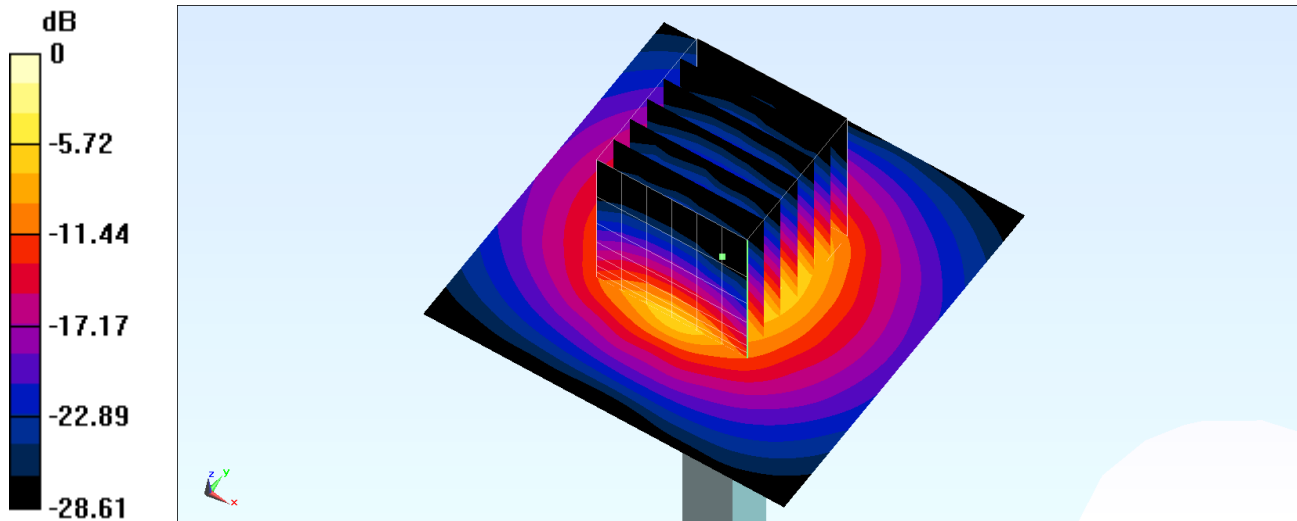
**Pin=50mW/Zoom Scan (7x7x8)/Cube 0:** Measurement grid: dx=5mm, dy=5mm, dz=1.4mm

Reference Value = 47.14 V/m; Power Drift = 0.02 dB

Peak SAR (extrapolated) = 8.83 W/kg

**SAR(1 g) = 3.3 W/kg; SAR(10 g) = 1.22 W/kg**

Maximum value of SAR (measured) = 6.53 W/kg



0 dB = 6.53 W/kg = 8.15 dBW/kg

## System Check\_Head\_3700MHz

### DUT: D3700V2-1022

Communication System: CW; Frequency: 3700 MHz; Duty Cycle: 1:1

Medium: HSL\_3700\_220507 Medium parameters used:  $f = 3700$  MHz;  $\sigma = 3.191$  S/m;  $\epsilon_r = 37.605$ ;  $\rho = 1000$  kg/m<sup>3</sup>

Ambient Temperature : 23.1 °C; Liquid Temperature : 22.1 °C

DASY5 Configuration:

- Probe: EX3DV4 - SN3931; ConvF(7.03, 7.03, 7.03) @ 3700 MHz; Calibrated: 2021/10/21
- Sensor-Surface: 1.4mm (Mechanical Surface Detection)
- Electronics: DAE4 Sn1399; Calibrated: 2022/2/28
- Phantom: SAM\_Left; Type: SAM; Serial: TP:1477
- Measurement SW: DASY52, Version 52.10 (4); SEMCAD X Version 14.6.14 (7483)

**Pin=100mW/Area Scan (61x61x1):** Interpolated grid: dx=1.200 mm, dy=1.200 mm

Maximum value of SAR (interpolated) = 14.0 W/kg

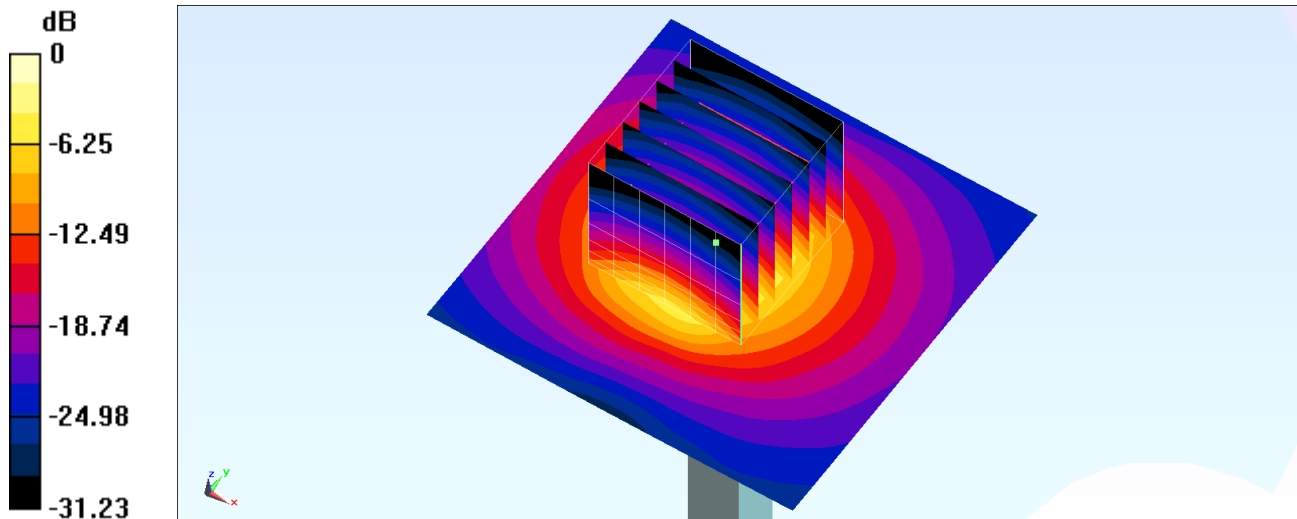
**Pin=100mW/Zoom Scan (7x7x7)/Cube 0:** Measurement grid: dx=5mm, dy=5mm, dz=1.4mm

Reference Value = 65.42 V/m; Power Drift = -0.04 dB

Peak SAR (extrapolated) = 19.5 W/kg

**SAR(1 g) = 6.56 W/kg; SAR(10 g) = 2.34 W/kg**

Maximum value of SAR (measured) = 13.4 W/kg



0 dB = 13.4 W/kg = 11.27 dBW/kg

## System Check\_Head\_3700MHz

### DUT: D3700V2-1022

Communication System: CW; Frequency: 3700 MHz; Duty Cycle: 1:1

Medium: HSL\_3700\_220528 Medium parameters used:  $f = 3700$  MHz;  $\sigma = 3.19$  S/m;  $\epsilon_r = 38.52$ ;  $\rho = 1000$  kg/m<sup>3</sup>

Ambient Temperature : 23.2 °C; Liquid Temperature : 22.2 °C

DASY5 Configuration:

- Probe: EX3DV4 - SN7694; ConvF(6.8, 6.8, 6.8) @ 3700 MHz; Calibrated: 2022/1/24
- Sensor-Surface: 1.4mm (Mechanical Surface Detection)
- Electronics: DAE4 Sn1424; Calibrated: 2022/1/20
- Phantom: SAM\_Left; Type: SAM; Serial: TP:1477
- Measurement SW: DASY52, Version 52.10 (4); SEMCAD X Version 14.6.14 (7483)

**Pin=50mW/Area Scan (61x61x1):** Interpolated grid: dx=1.200 mm, dy=1.200 mm

Maximum value of SAR (interpolated) = 6.46 W/kg

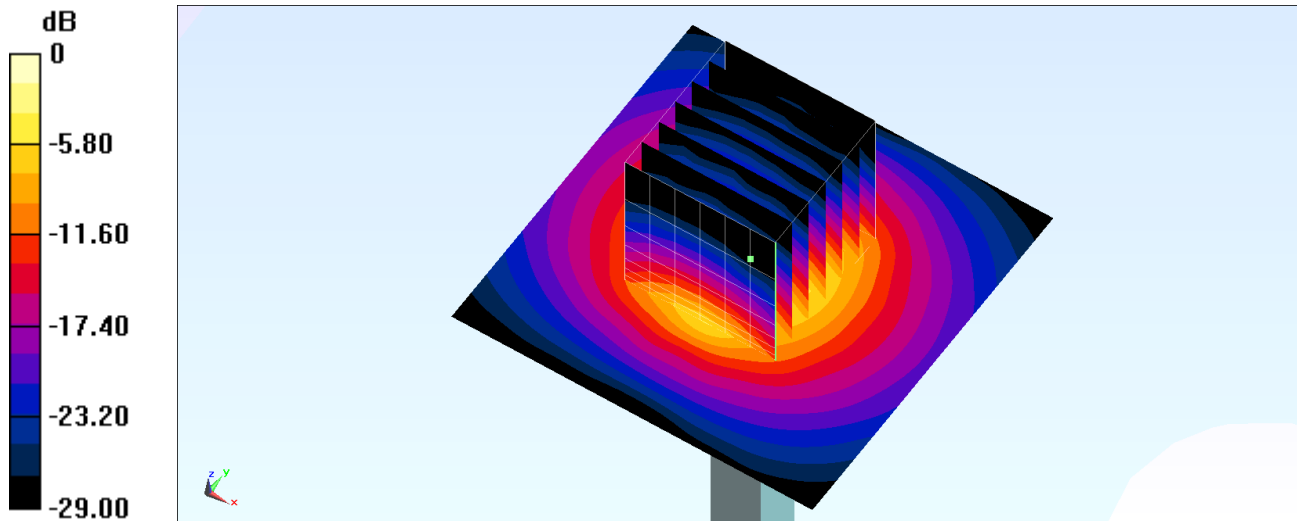
**Pin=50mW/Zoom Scan (7x7x8)/Cube 0:** Measurement grid: dx=5mm, dy=5mm, dz=1.4mm

Reference Value = 47.14 V/m; Power Drift = 0.16 dB

Peak SAR (extrapolated) = 8.71 W/kg

**SAR(1 g) = 3.25 W/kg; SAR(10 g) = 1.2 W/kg**

Maximum value of SAR (measured) = 6.44 W/kg



0 dB = 6.44 W/kg = 8.09 dBW/kg