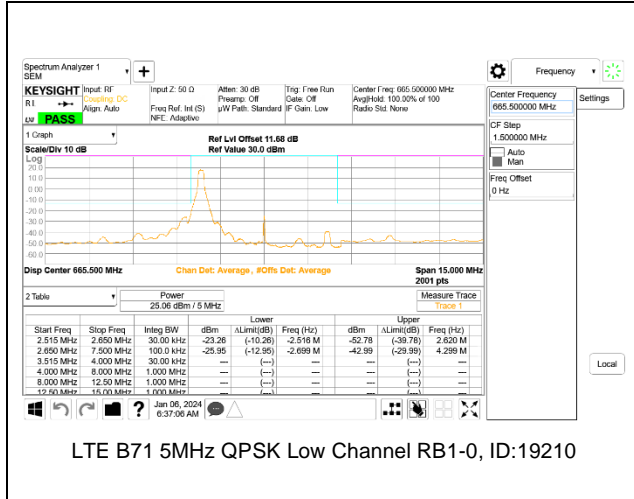
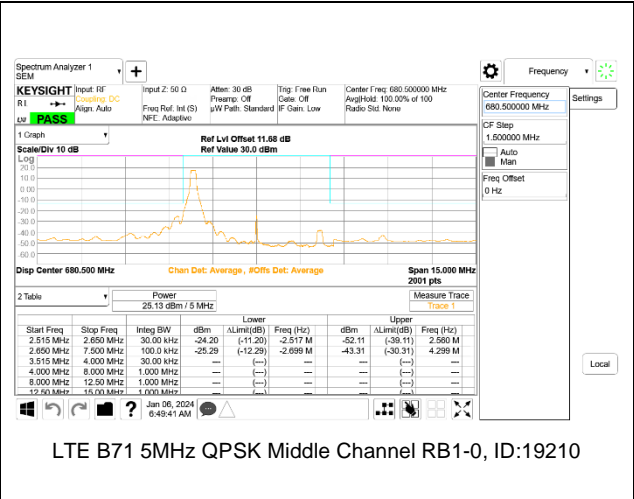


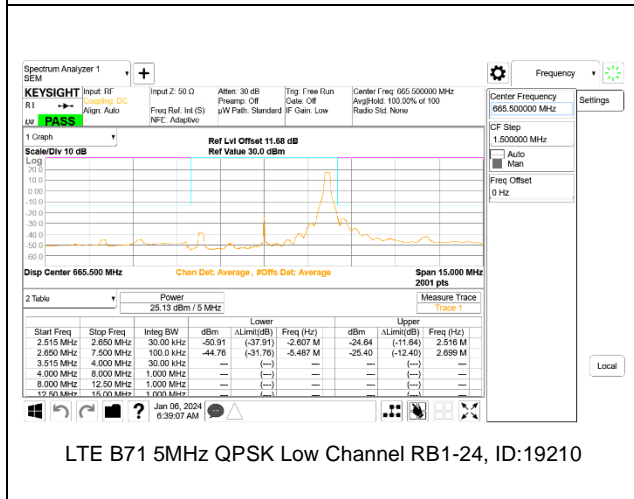
**LTE BAND 71 ADJACENT CHANNEL POWER**



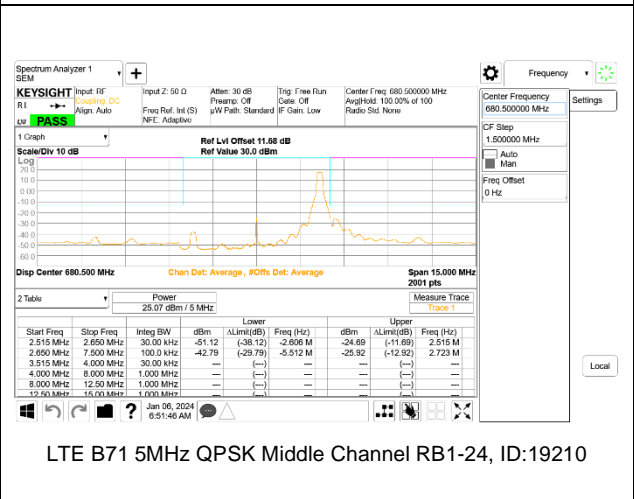
LTE B71 5MHz QPSK Low Channel RB1-0, ID:19210



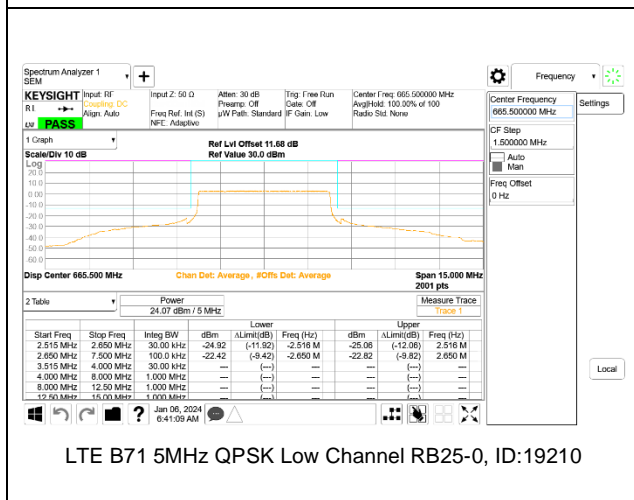
LTE B71 5MHz QPSK Middle Channel RB1-0, ID:19210



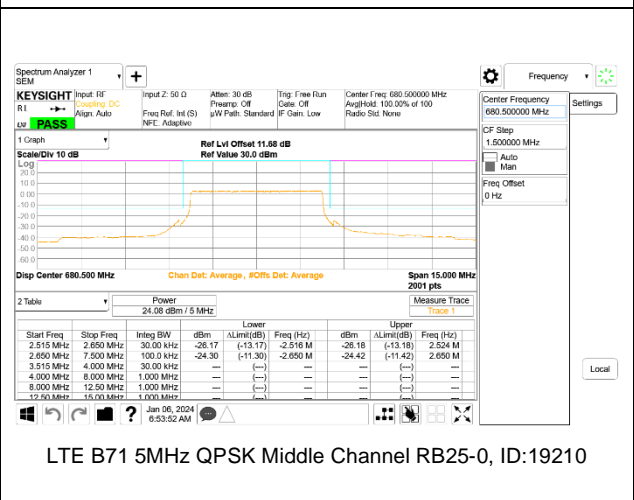
LTE B71 5MHz QPSK Low Channel RB1-24, ID:19210



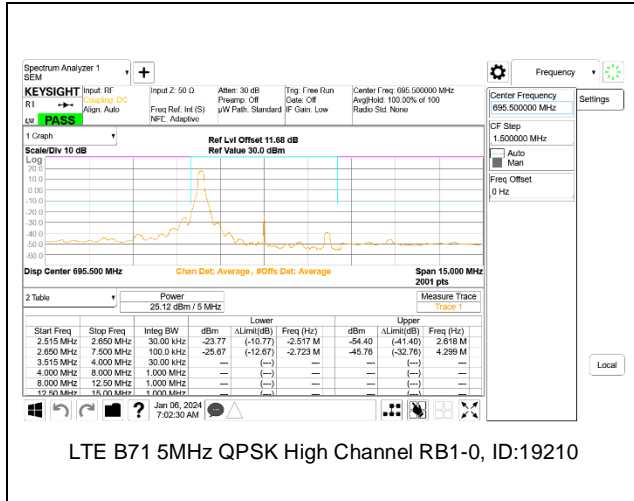
LTE B71 5MHz QPSK Middle Channel RB1-24, ID:19210



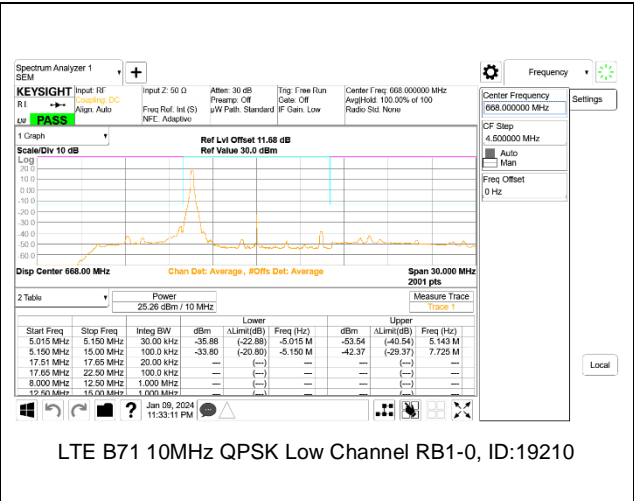
LTE B71 5MHz QPSK Low Channel RB25-0, ID:19210



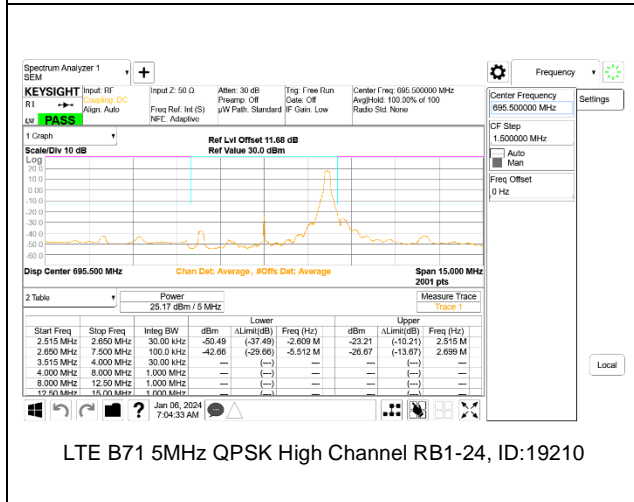
LTE B71 5MHz QPSK Middle Channel RB25-0, ID:19210



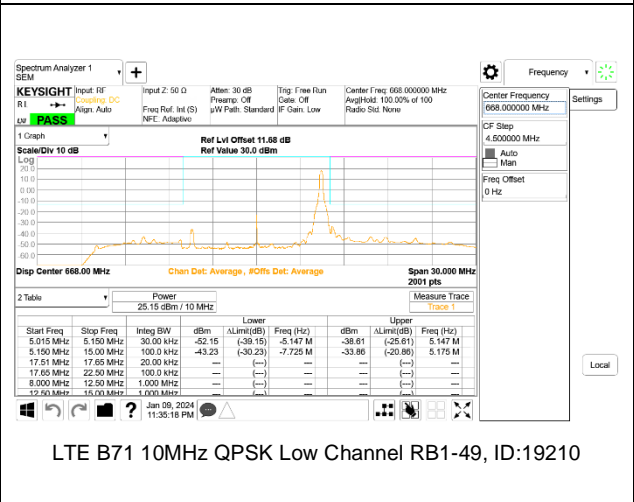
LTE B71 5MHz QPSK High Channel RB1-0, ID:19210



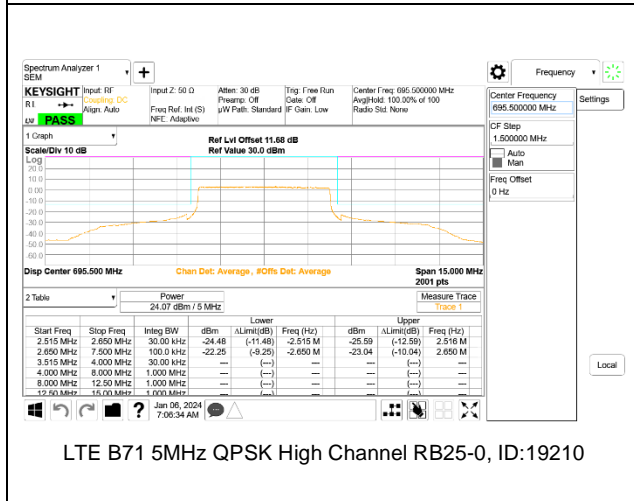
LTE B71 10MHz QPSK Low Channel RB1-0, ID:19210



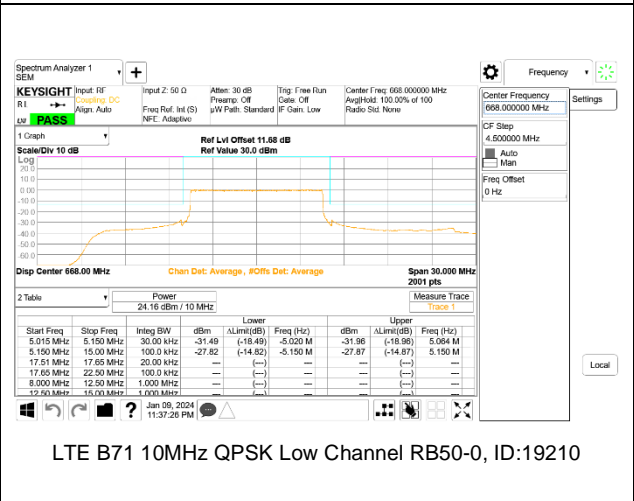
LTE B71 5MHz QPSK High Channel RB1-24, ID:19210



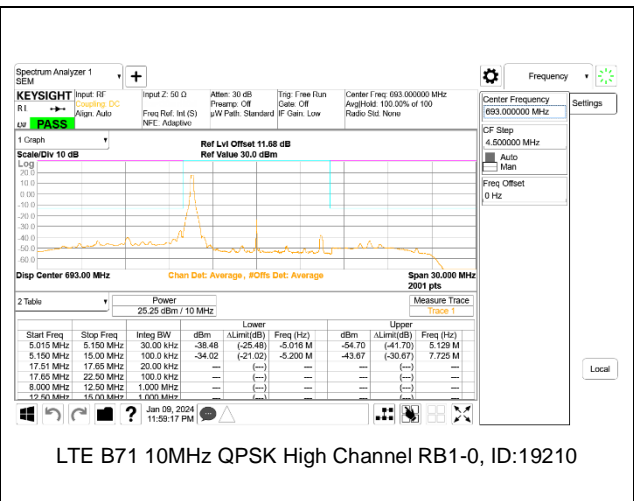
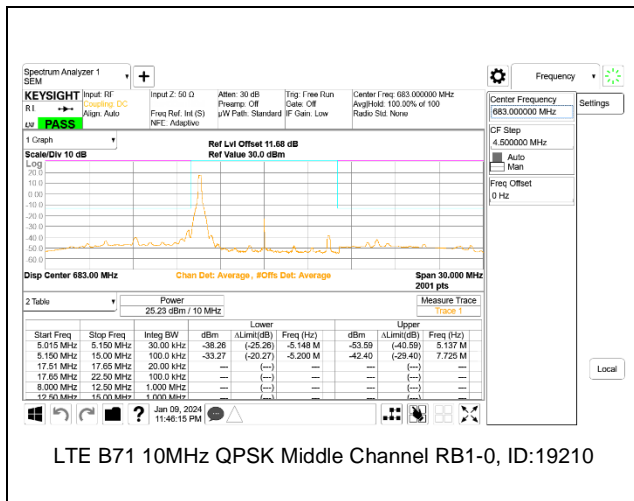
LTE B71 10MHz QPSK Low Channel RB1-49, ID:19210



LTE B71 5MHz QPSK High Channel RB25-0, ID:19210

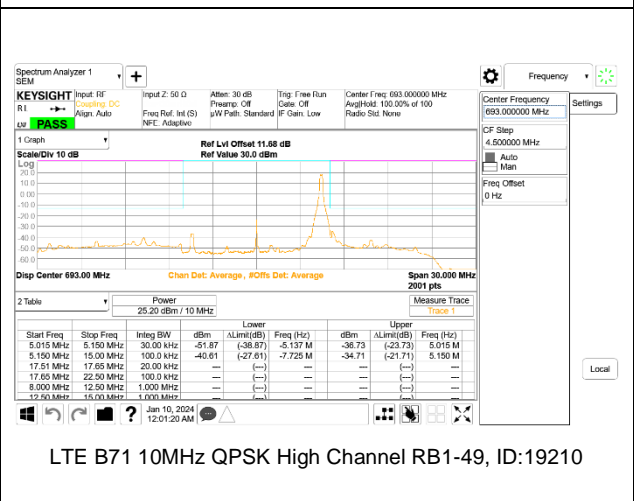
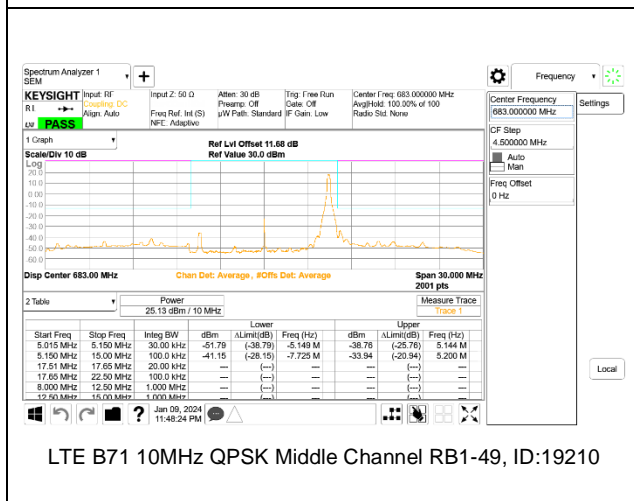


LTE B71 10MHz QPSK Low Channel RB50-0, ID:19210



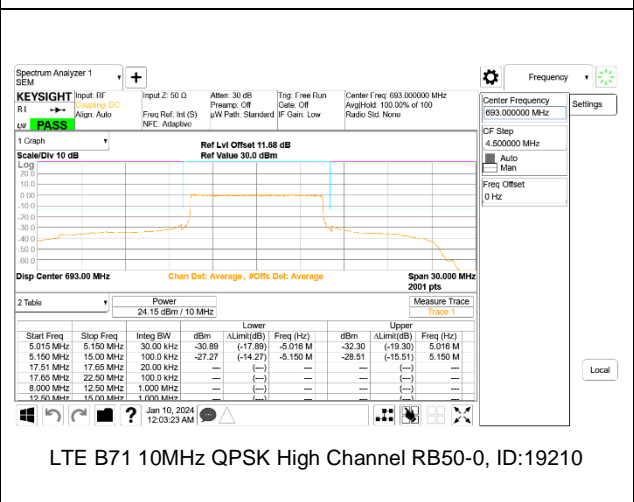
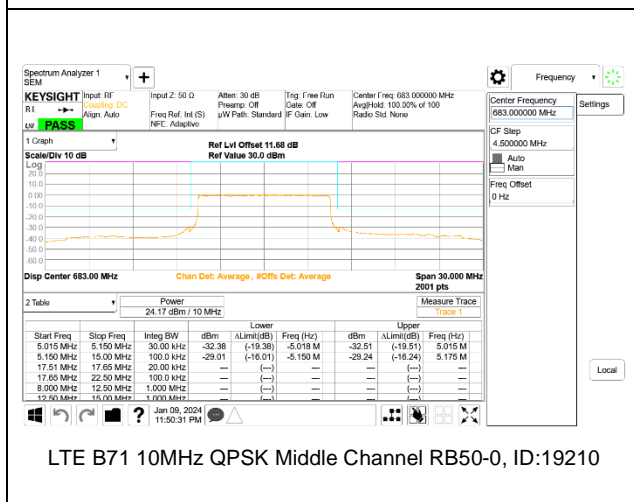
LTE B71 10MHz QPSK Middle Channel RB1-0, ID:19210

LTE B71 10MHz QPSK High Channel RB1-0, ID:19210



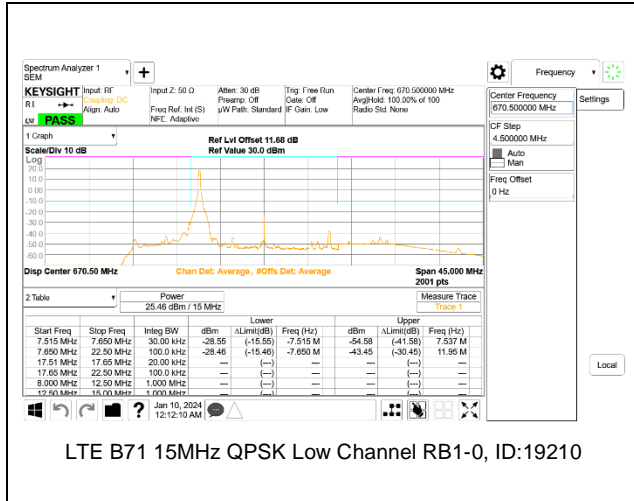
LTE B71 10MHz QPSK Middle Channel RB1-49, ID:19210

LTE B71 10MHz QPSK High Channel RB1-49, ID:19210

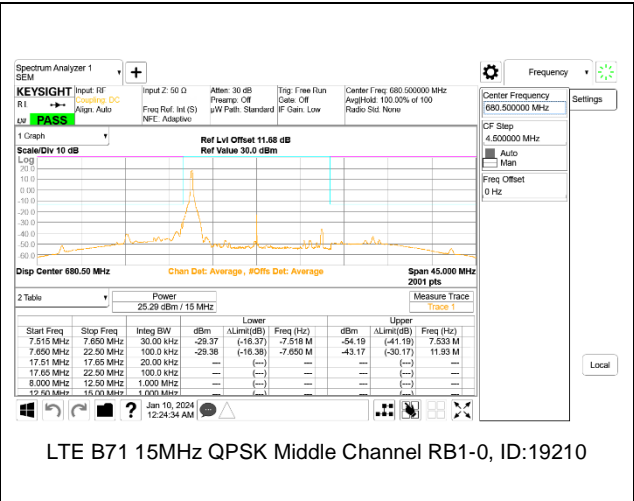


LTE B71 10MHz QPSK Middle Channel RB50-0, ID:19210

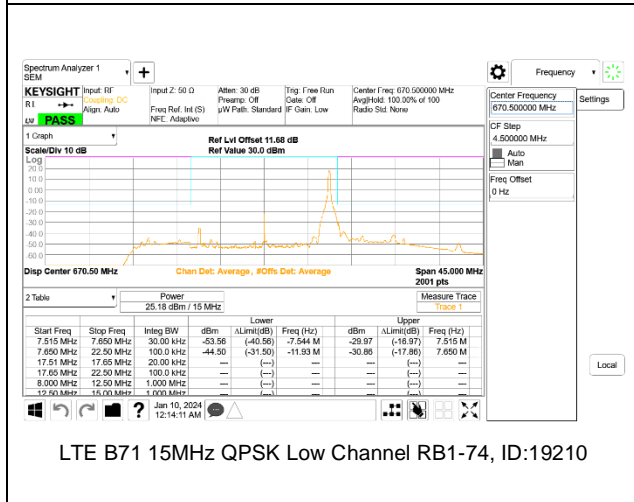
LTE B71 10MHz QPSK High Channel RB50-0, ID:19210



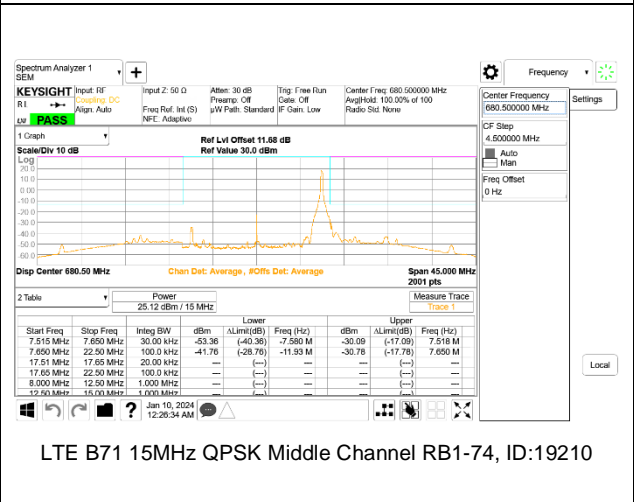
LTE B71 15MHz QPSK Low Channel RB1-0, ID:19210



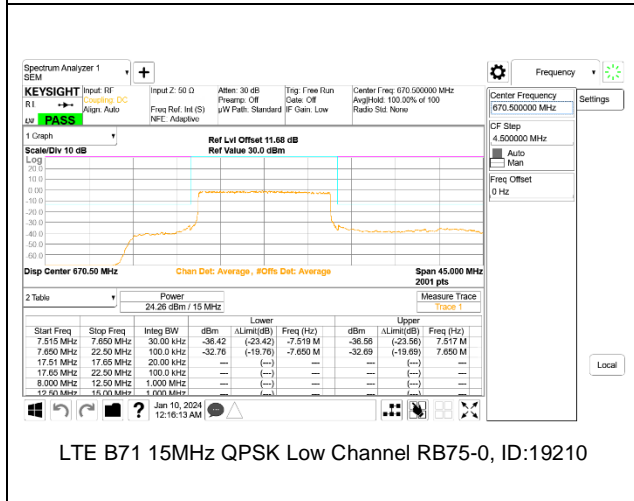
LTE B71 15MHz QPSK Middle Channel RB1-0, ID:19210



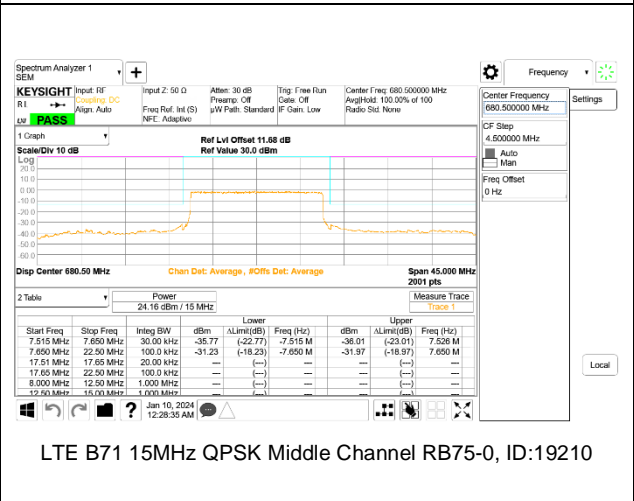
LTE B71 15MHz QPSK Low Channel RB1-74, ID:19210



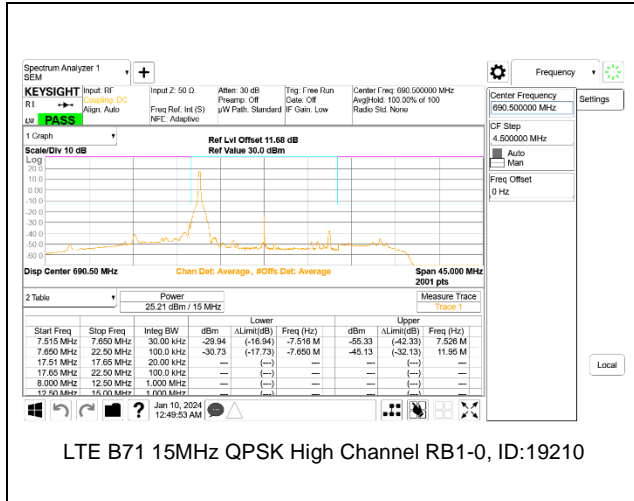
LTE B71 15MHz QPSK Middle Channel RB1-74, ID:19210



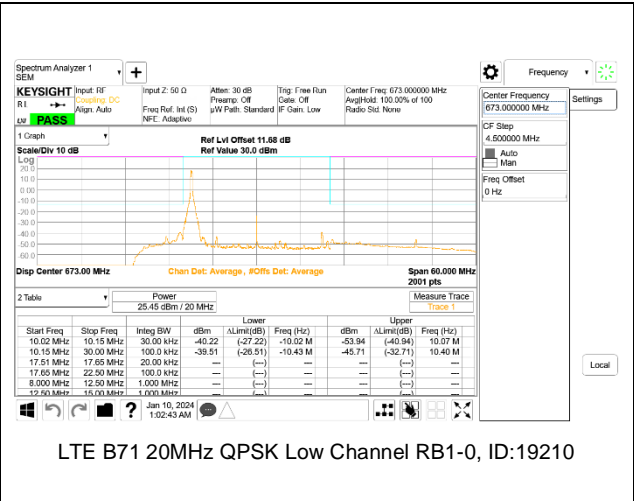
LTE B71 15MHz QPSK Low Channel RB75-0, ID:19210



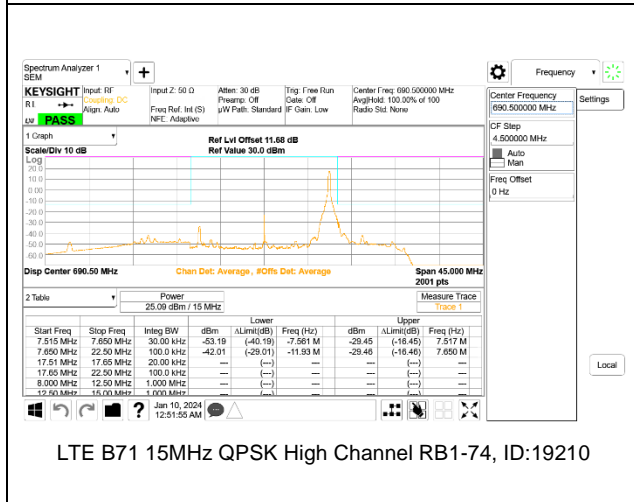
LTE B71 15MHz QPSK Middle Channel RB75-0, ID:19210



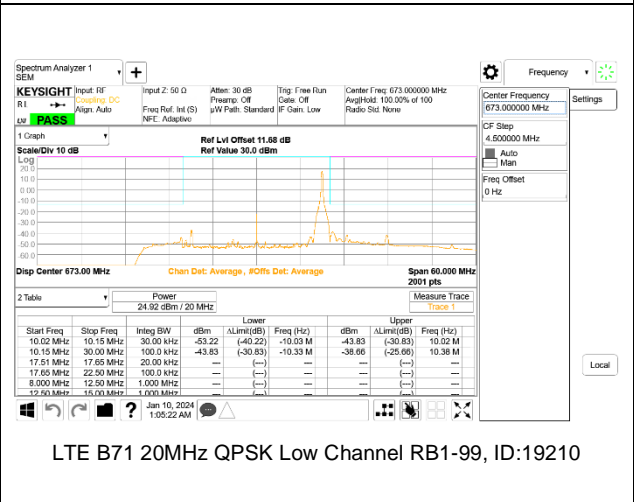
LTE B71 15MHz QPSK High Channel RB1-0, ID:19210



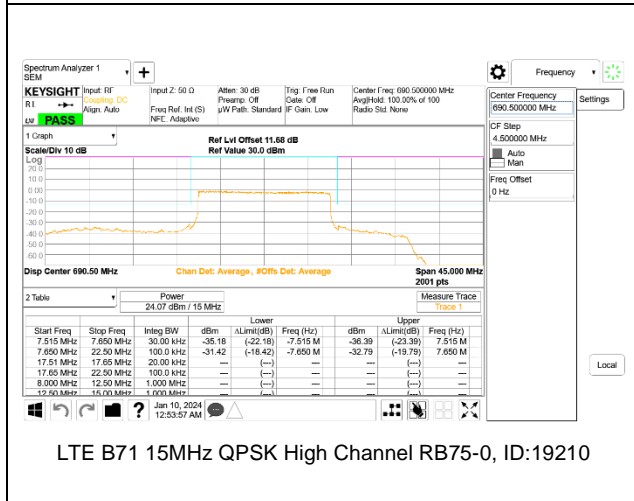
LTE B71 20MHz QPSK Low Channel RB1-0, ID:19210



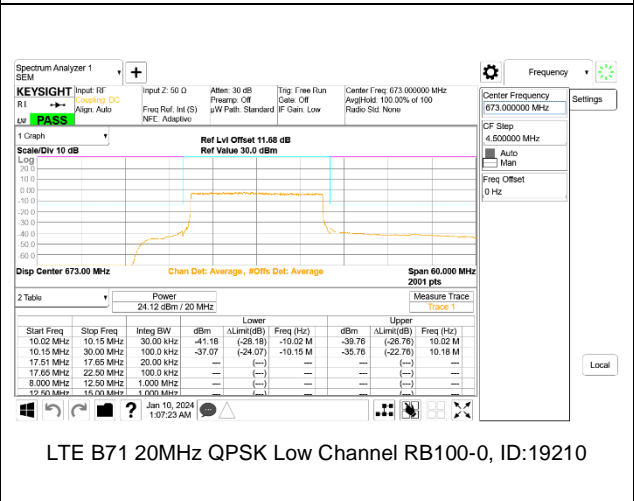
LTE B71 15MHz QPSK High Channel RB1-74, ID:19210



LTE B71 20MHz QPSK Low Channel RB1-99, ID:19210

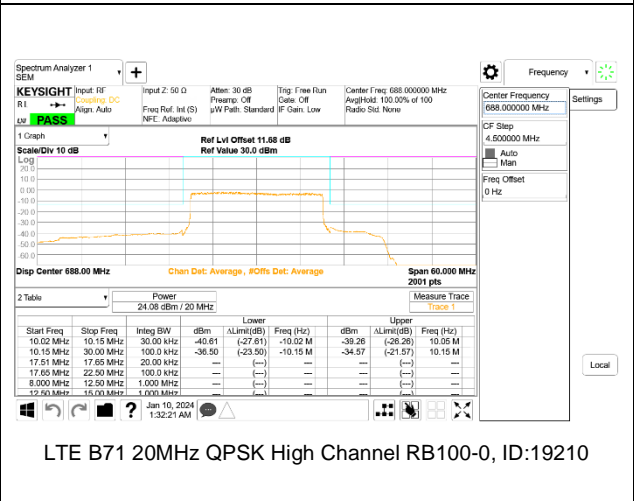
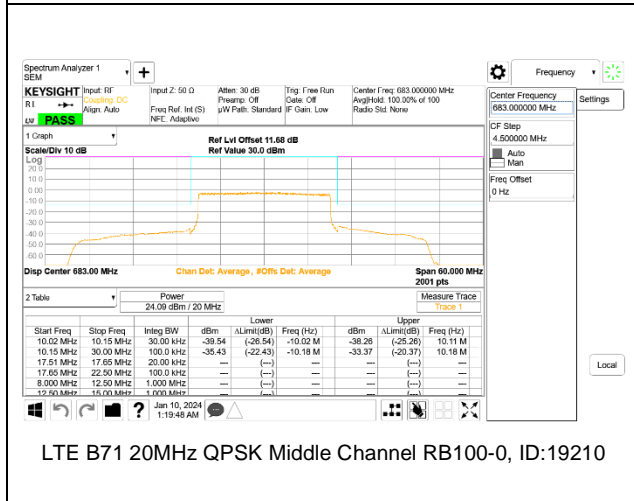
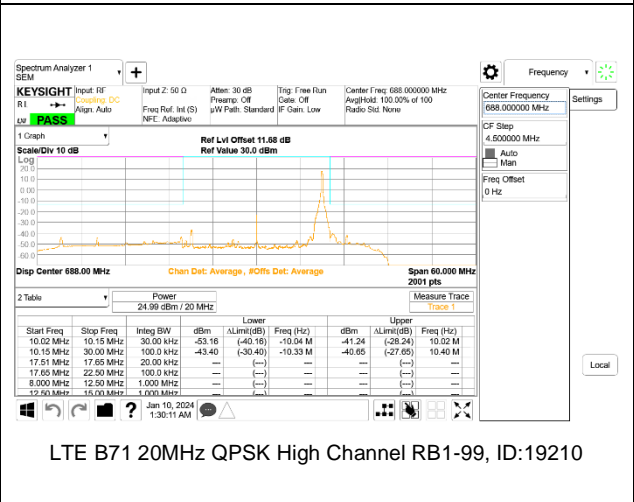
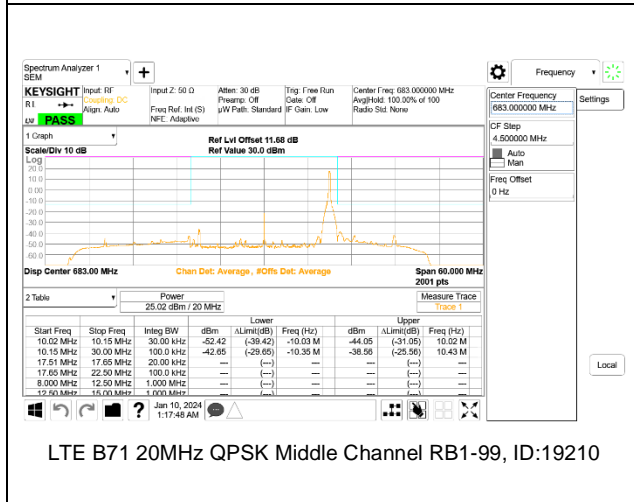
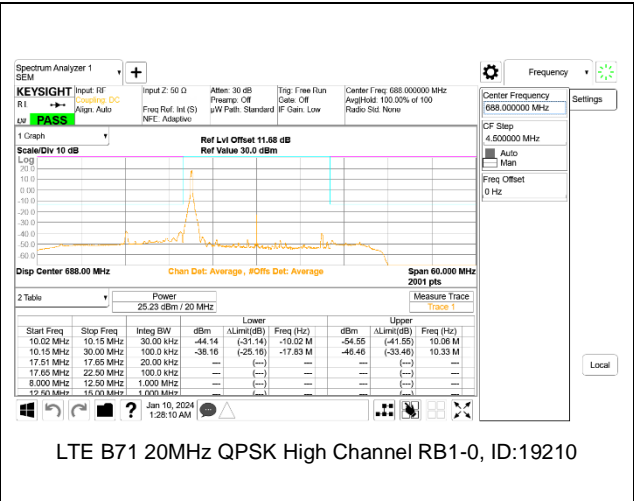
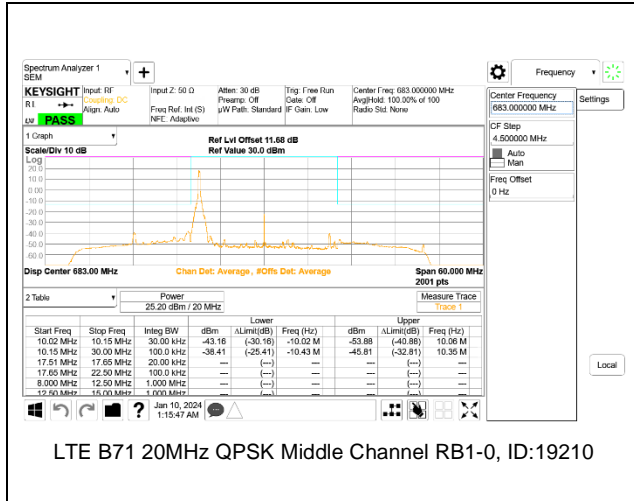


LTE B71 15MHz QPSK High Channel RB75-0, ID:19210

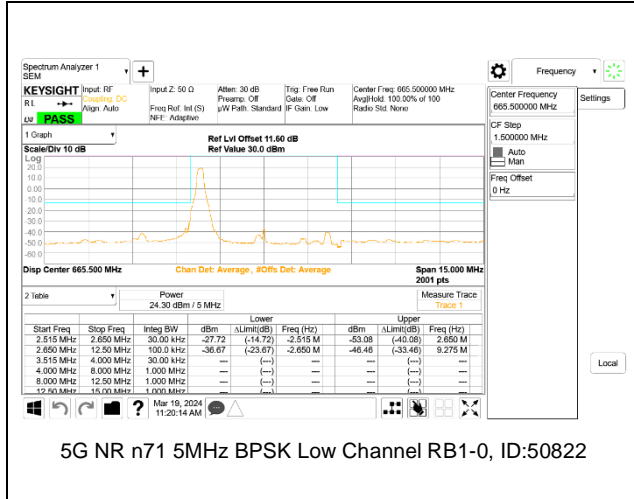


LTE B71 20MHz QPSK Low Channel RB100-0, ID:19210

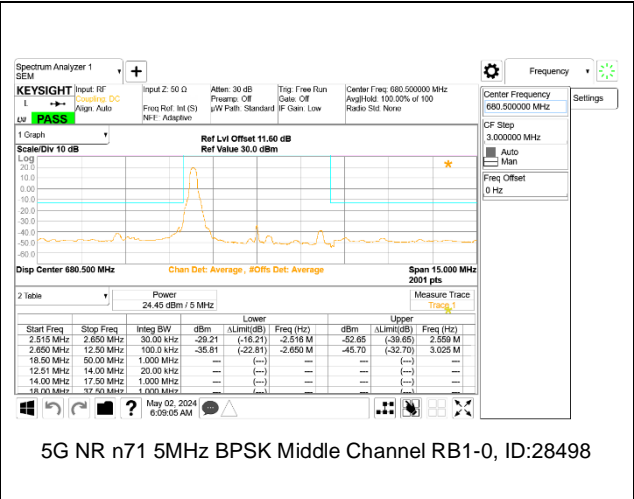




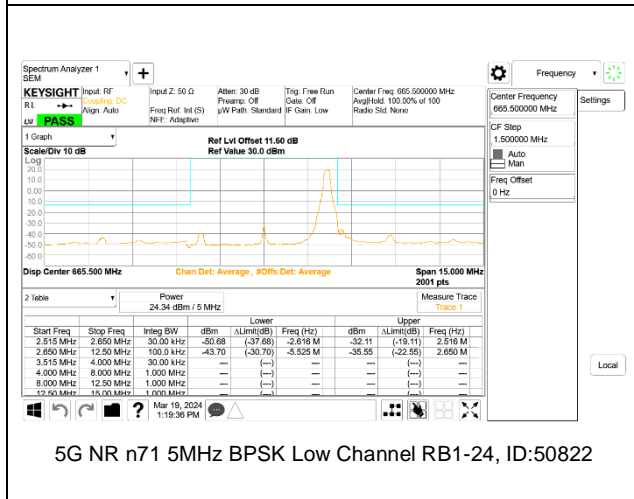
**5G NR n71 ADJACENT CHANNEL POWER**



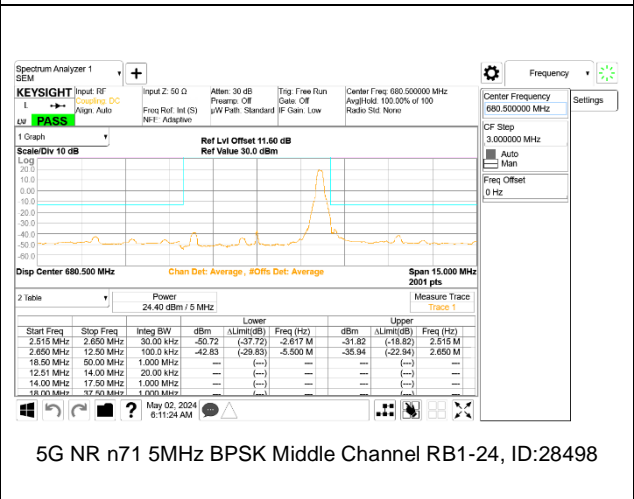
5G NR n71 5MHz BPSK Low Channel RB1-0, ID:50822



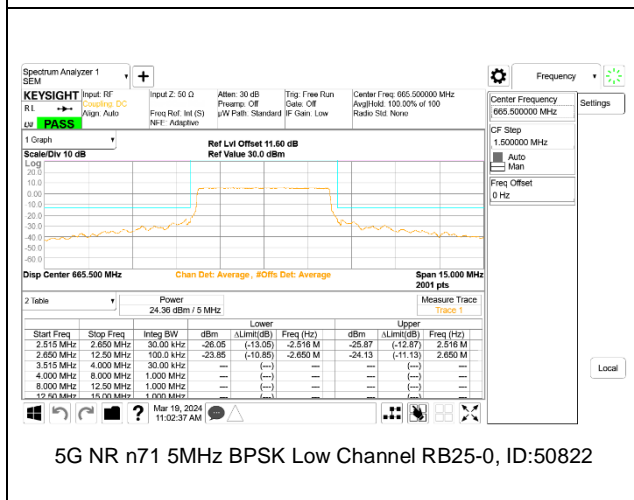
5G NR n71 5MHz BPSK Middle Channel RB1-0, ID:28498



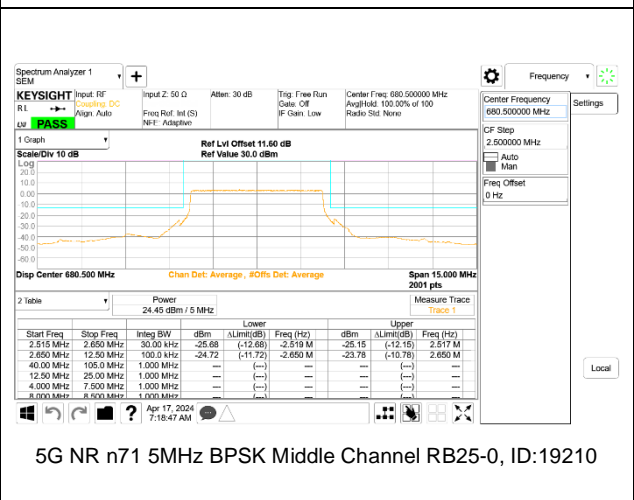
5G NR n71 5MHz BPSK Low Channel RB1-24, ID:50822



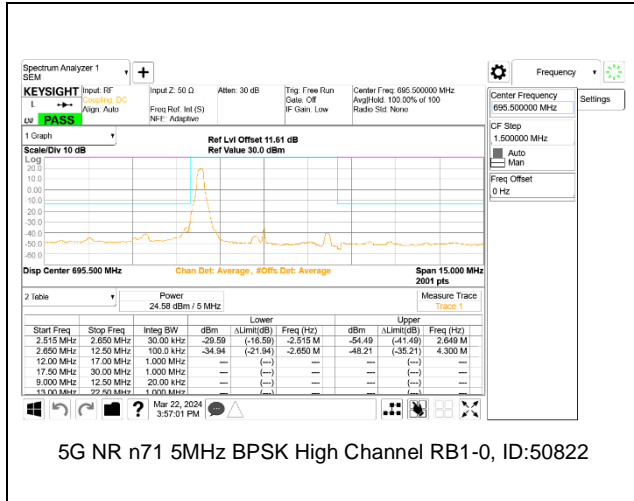
5G NR n71 5MHz BPSK Middle Channel RB1-24, ID:28498



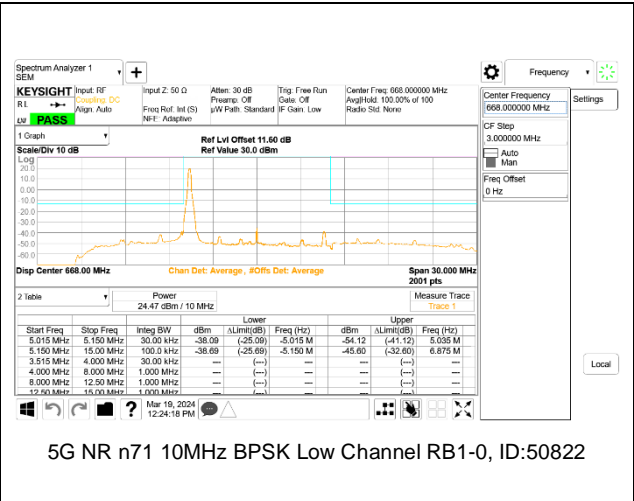
5G NR n71 5MHz BPSK Low Channel RB25-0, ID:50822



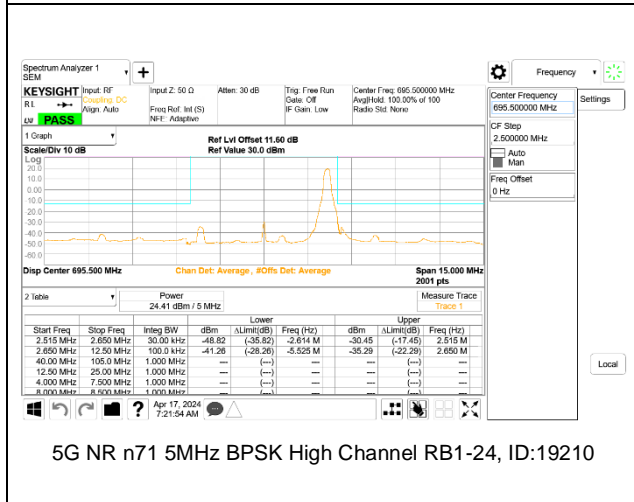
5G NR n71 5MHz BPSK Middle Channel RB25-0, ID:19210



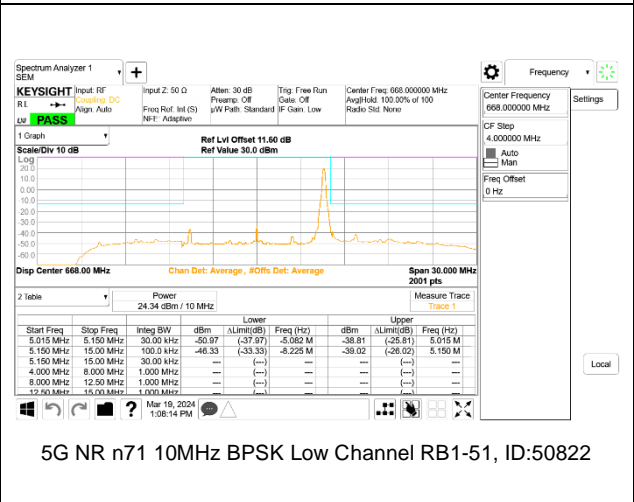
5G NR n71 5MHz BPSK High Channel RB1-0, ID:50822



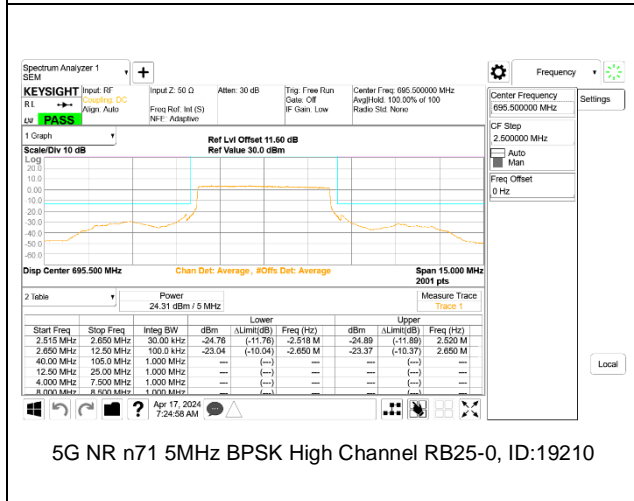
5G NR n71 10MHz BPSK Low Channel RB1-0, ID:50822



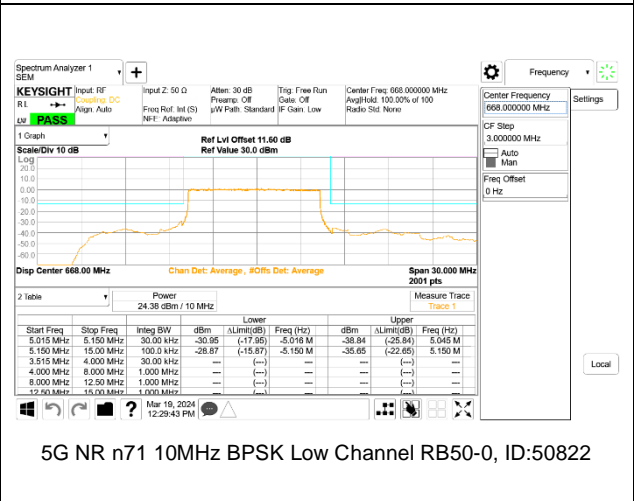
5G NR n71 5MHz BPSK High Channel RB1-24, ID:19210



5G NR n71 10MHz BPSK Low Channel RB1-51, ID:50822

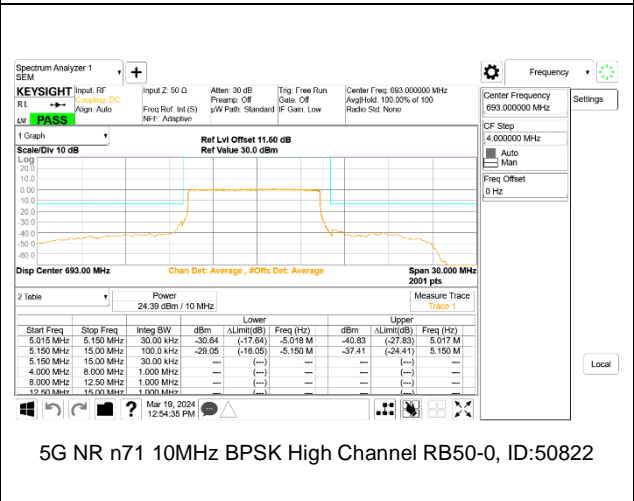
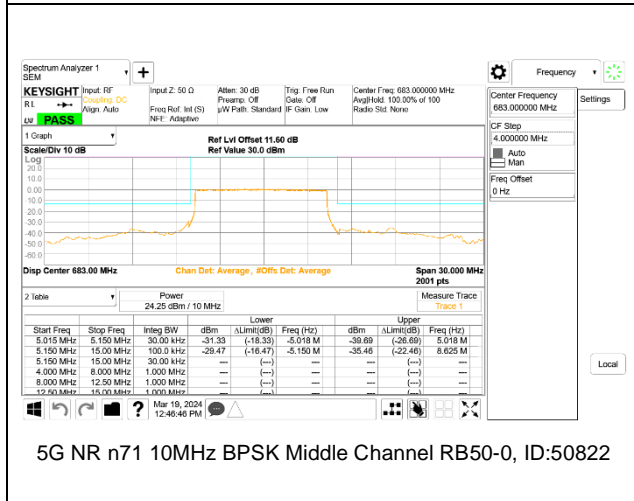
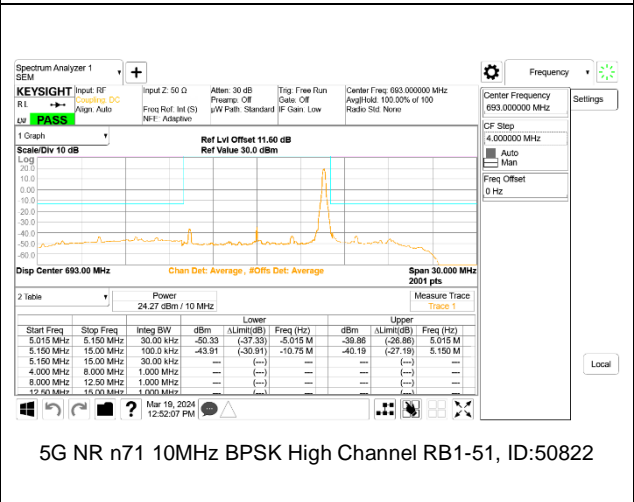
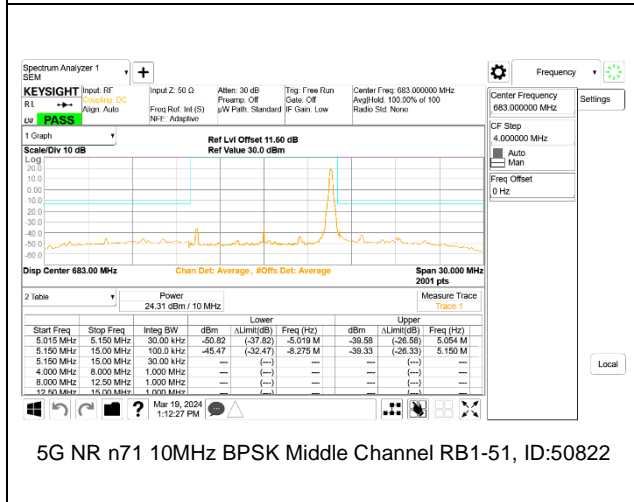
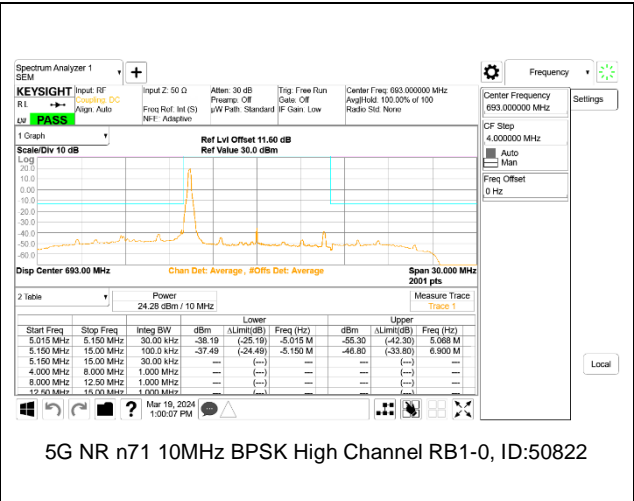
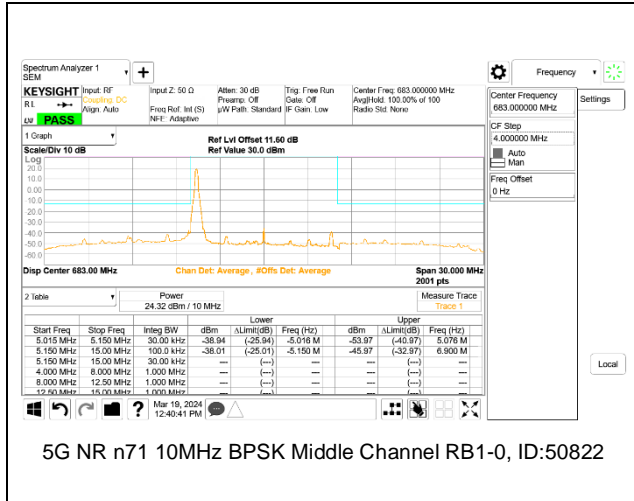


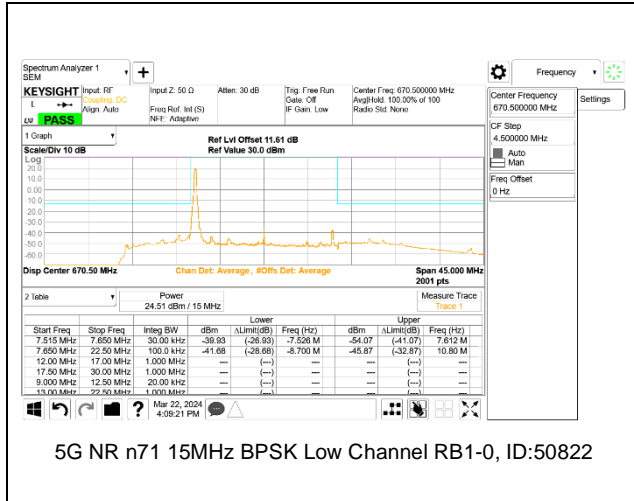
5G NR n71 5MHz BPSK High Channel RB25-0, ID:19210



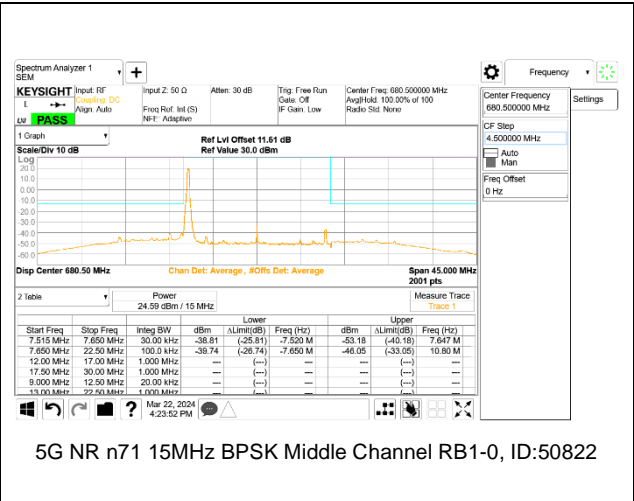
5G NR n71 10MHz BPSK Low Channel RB50-0, ID:50822



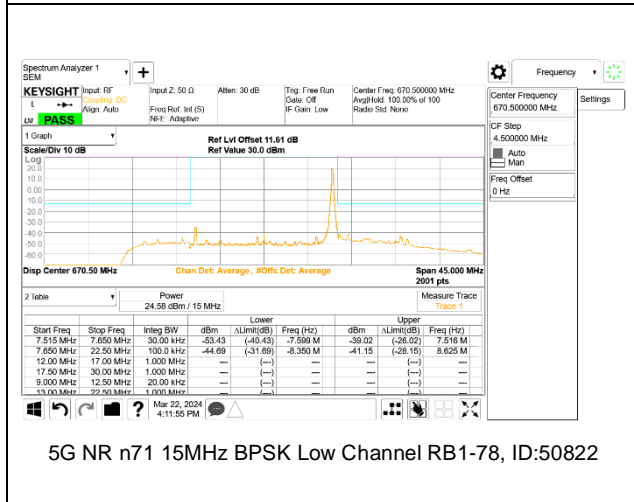




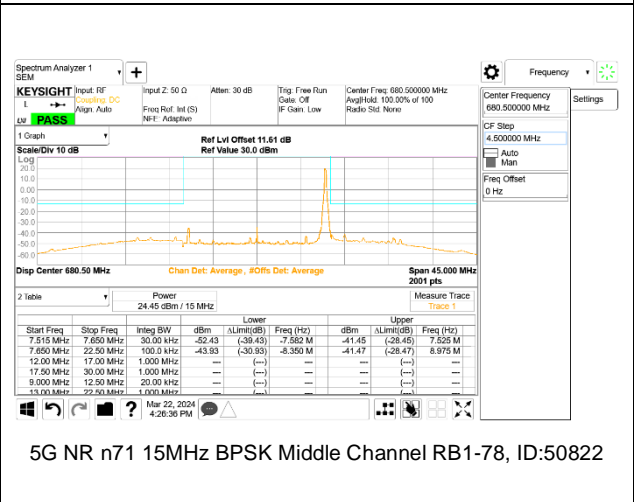
5G NR n71 15MHz BPSK Low Channel RB1-0, ID:50822



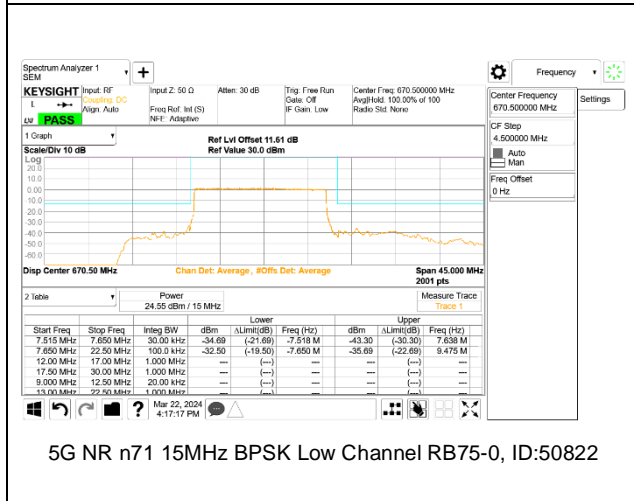
5G NR n71 15MHz BPSK Middle Channel RB1-0, ID:50822



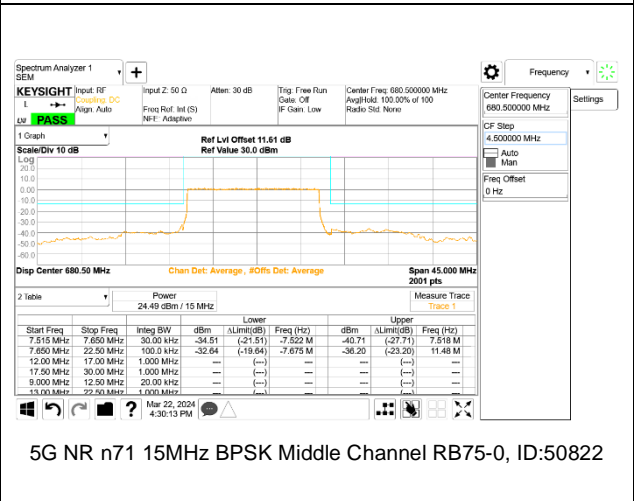
5G NR n71 15MHz BPSK Low Channel RB1-78, ID:50822



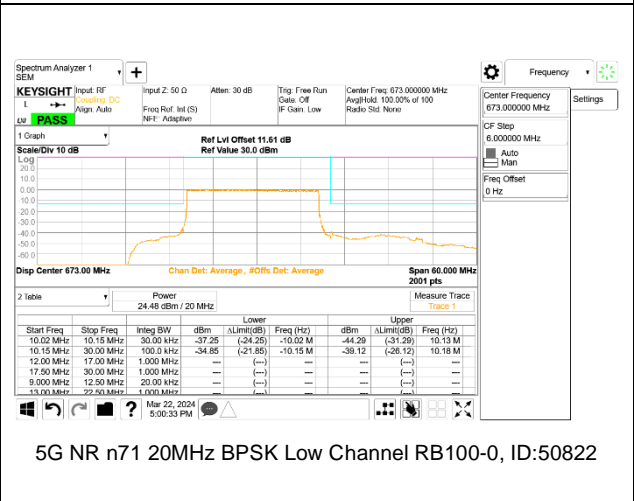
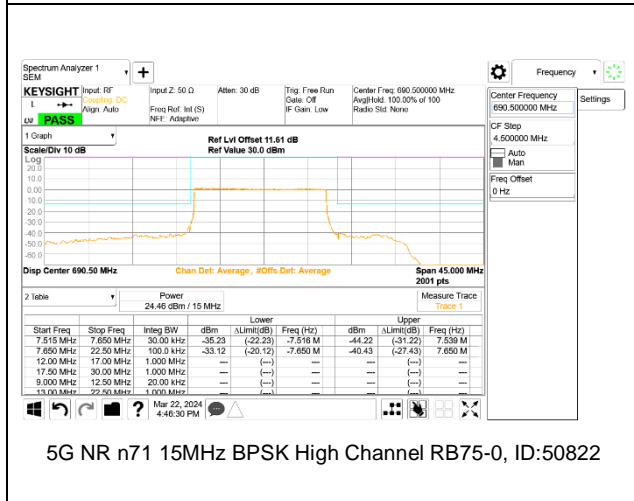
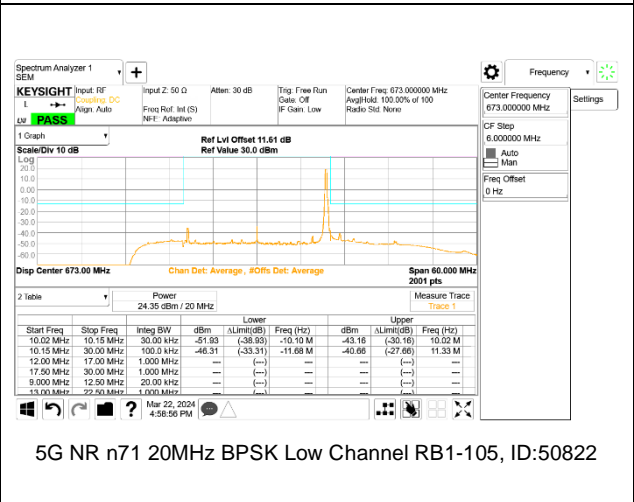
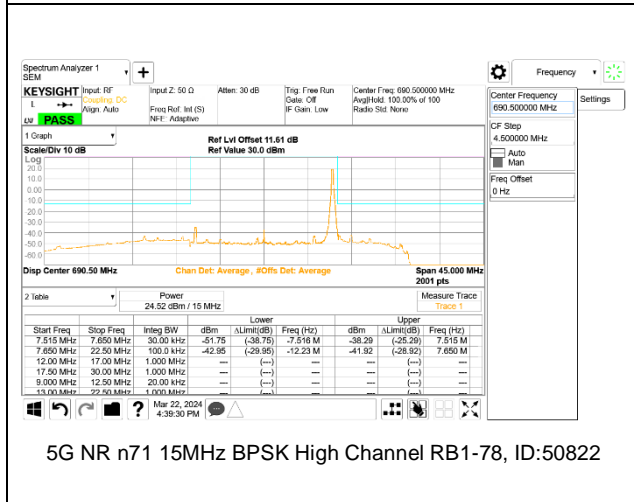
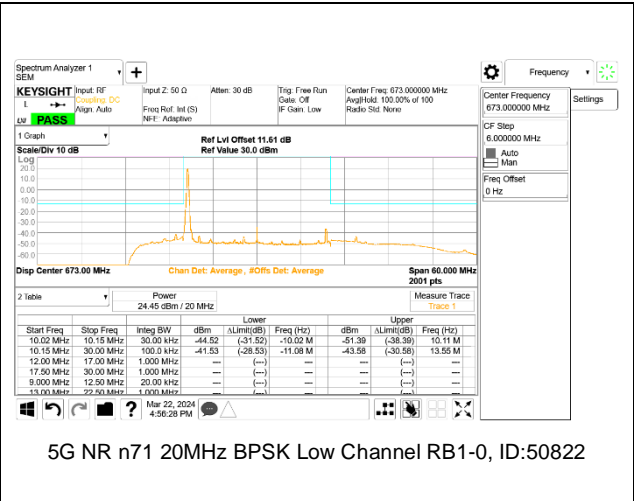
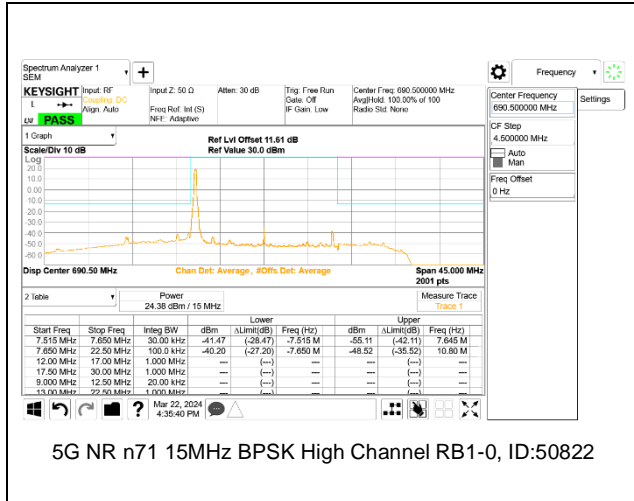
5G NR n71 15MHz BPSK Middle Channel RB1-78, ID:50822

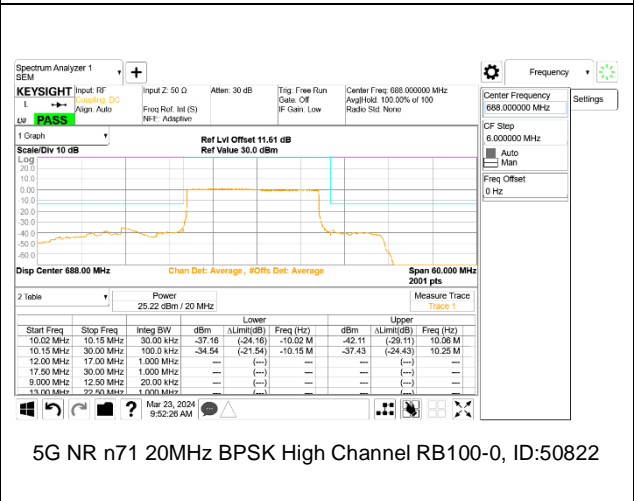
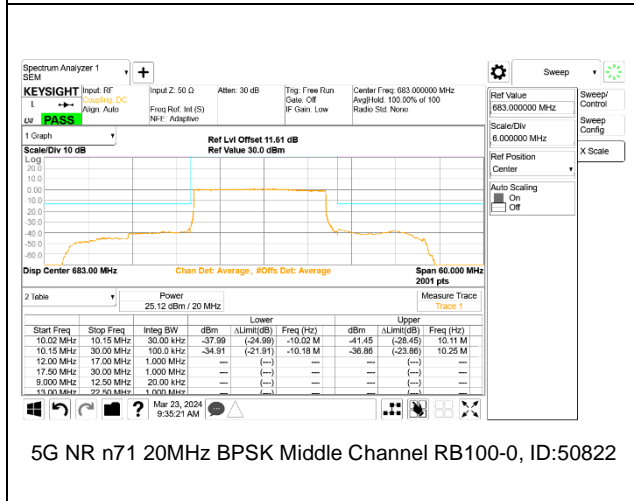
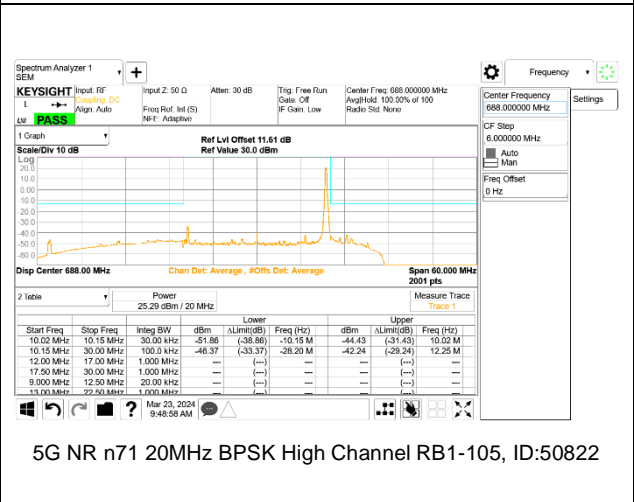
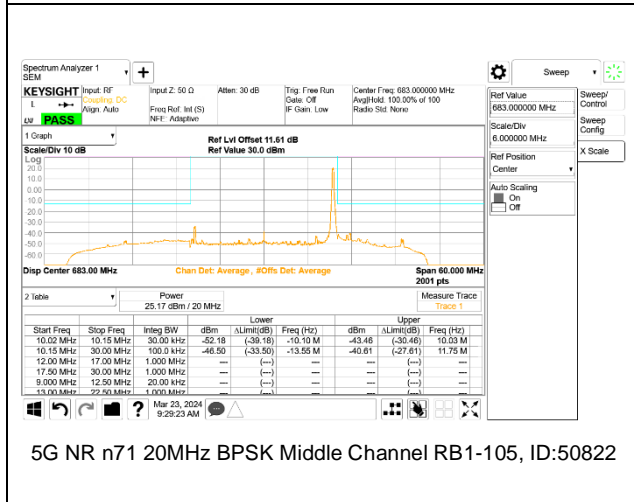
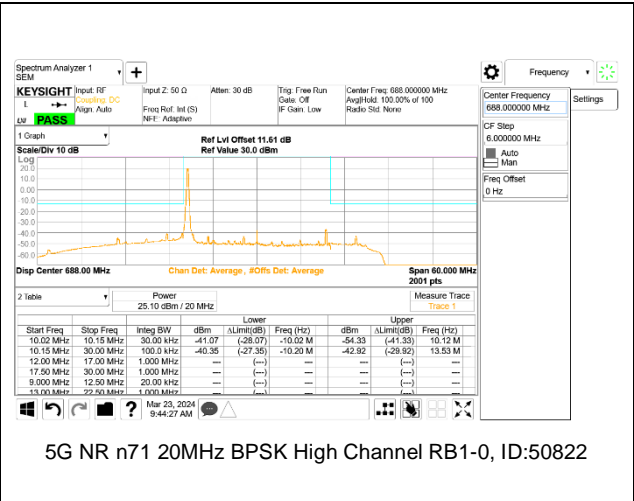
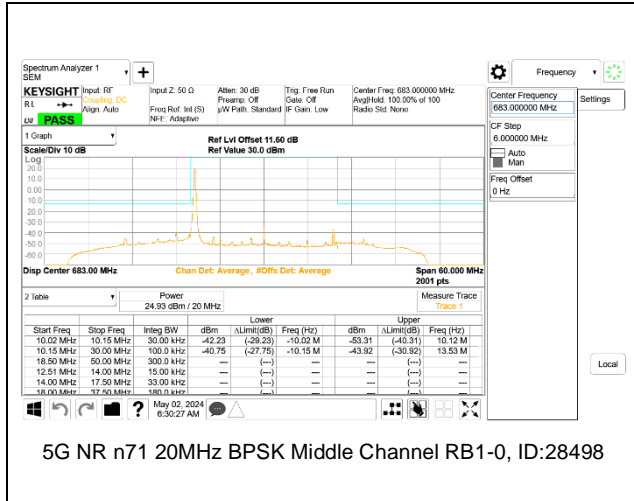


5G NR n71 15MHz BPSK Low Channel RB75-0, ID:50822



5G NR n71 15MHz BPSK Middle Channel RB75-0, ID:50822





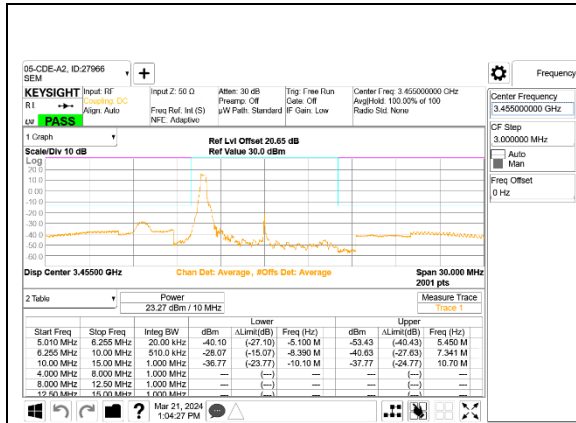
## 9.2.16. 5G NR n77 (Part 27 3450-3550MHz)

### LIMITS

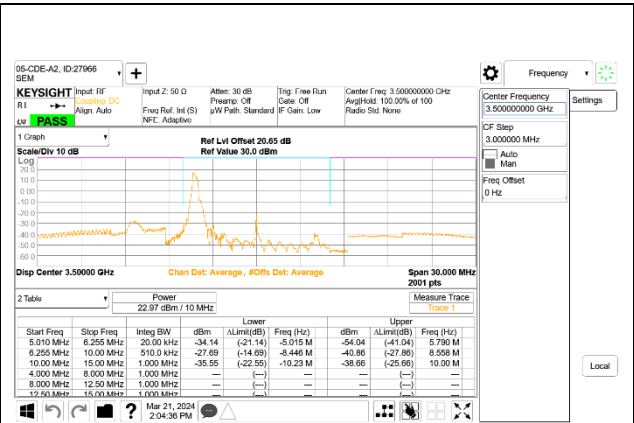
FCC: §27.53

(n) 3.45 GHz Service. The following emission limits apply to stations transmitting in the 3450-3550 MHz band:

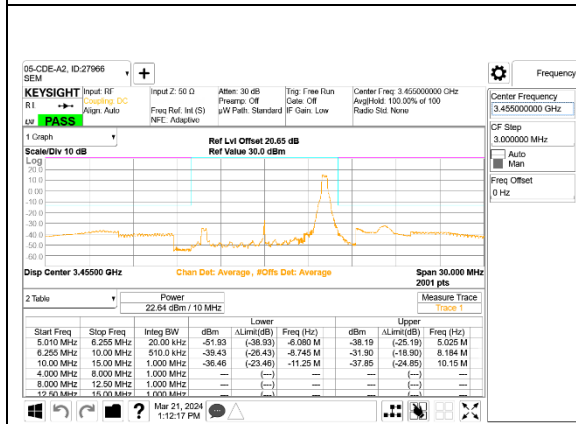
(2) For mobile operations in the 3450-3550 MHz band, the conducted power of any emission outside the licensee's authorized bandwidth shall not exceed -13 dBm/MHz. Compliance with this paragraph (n)(2) is based on the use of measurement instrumentation employing a resolution bandwidth of 1 megahertz or greater. However, in the 1 megahertz bands immediately outside and adjacent to the licensee's frequency block, a resolution bandwidth of at least one percent of the emission bandwidth of the fundamental emission of the transmitter may be employed, but limited to a maximum of 200 kHz. In the bands between 1 and 5 MHz removed from the licensee's frequency block, the minimum resolution bandwidth for the measurement shall be 500 kHz. The emission bandwidth is defined as the width of the signal between two points, one below the carrier center frequency and one above the carrier center frequency, outside of which all emissions are attenuated at least 26 dB below the transmitter power.



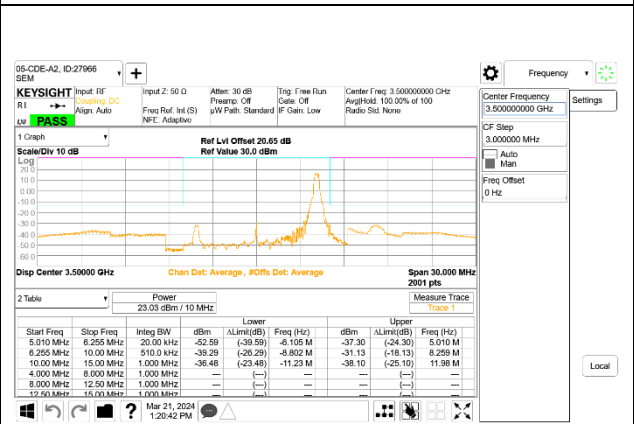
5G NR n77 10MHz BPSK Low Channel RB1-0, ID:27966



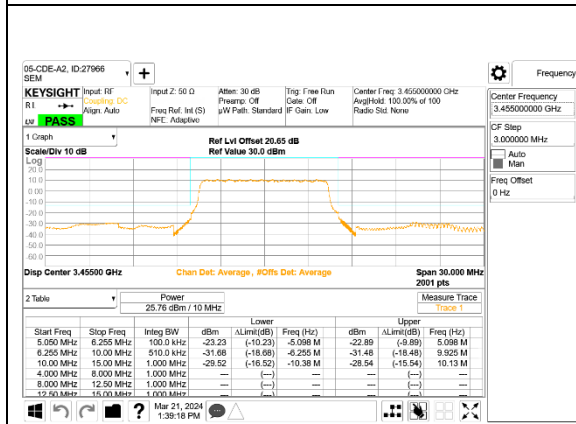
5G NR n77 10MHz BPSK Middle Channel RB1-0, ID:27966



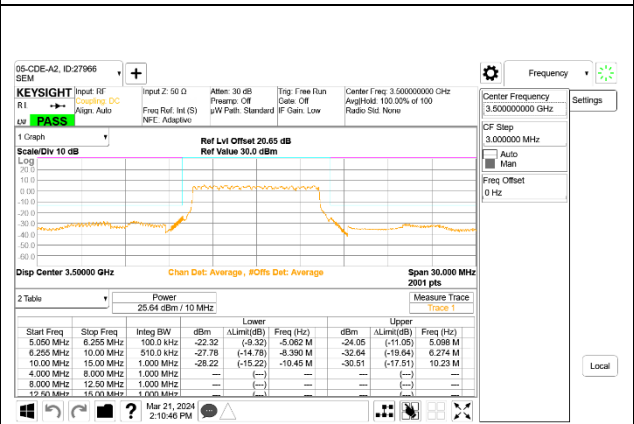
5G NR n77 10MHz BPSK Low Channel RB1-23, ID:27966



5G NR n77 10MHz BPSK Middle Channel RB1-23, ID:27966



5G NR n77 10MHz BPSK Low Channel RB24-0, ID:27966



5G NR n77 10MHz BPSK Middle Channel RB24-0, ID:27966