

## System Check\_Head\_2450MHz

### DUT: D2450V2-929

Communication System: CW; Frequency: 2450 MHz; Duty Cycle: 1:1

Medium: HSL\_2450\_221108 Medium parameters used :  $f = 2450$  MHz;  $\sigma = 1.787$  S/m;  $\epsilon_r = 39.24$ ;

$\rho = 1000$  kg/m<sup>3</sup>

Ambient Temperature : 23.3 °C ; Liquid Temperature : 22.3 °C

### DASY5 Configuration:

- Probe: EX3DV4 - SN7700; ConvF(8.05, 8.05, 8.05) @ 2450 MHz; Calibrated: 2022/1/11
- Sensor-Surface: 1.4mm (Mechanical Surface Detection)
- Electronics: DAE4 Sn1399; Calibrated: 2022/2/28
- Phantom: ELI V8.0 (20deg probe tilt); Type: QD OVA 004 Ax; Serial: 2055
- Measurement SW: DASY52, Version 52.10 (4); SEMCAD X Version 14.6.14 (7501)

**Pin=50mW/Area Scan (61x61x1):** Interpolated grid: dx=1.200 mm, dy=1.200 mm

Maximum value of SAR (interpolated) = 4.05 W/kg

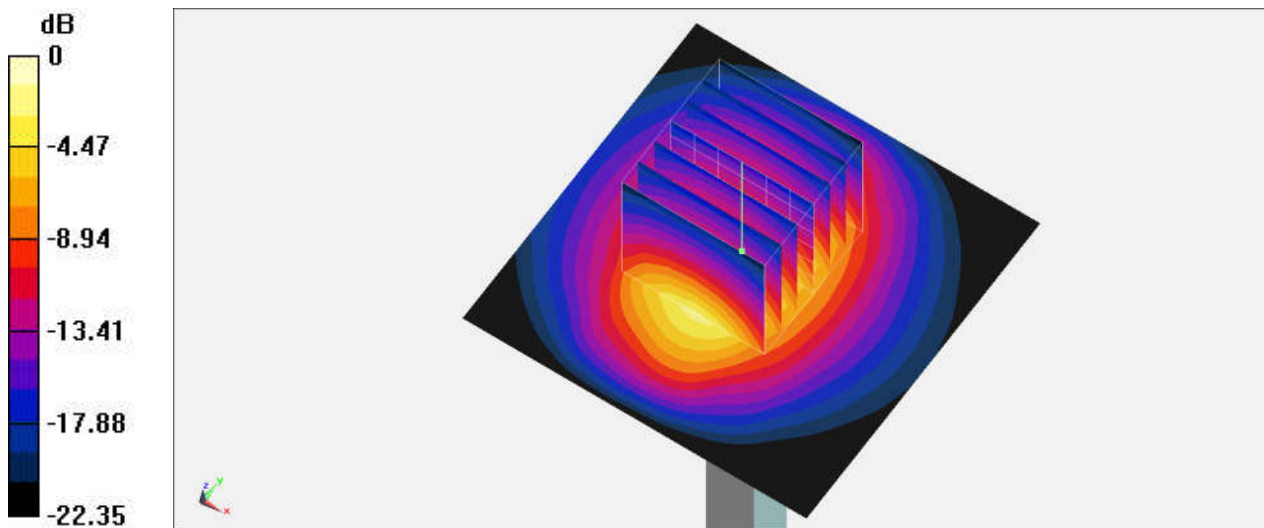
**Pin=50mW/Zoom Scan (7x7x7)/Cube 0:** Measurement grid: dx=5mm, dy=5mm, dz=5mm

Reference Value = 46.61 V/m; Power Drift = 0.05 dB

Peak SAR (extrapolated) = 4.98 W/kg

**SAR(1 g) = 2.43 W/kg; SAR(10 g) = 1.14 W/kg**

Maximum value of SAR (measured) = 4.05 W/kg



## System Check\_Head\_2450MHz

### DUT: D2450V2-929

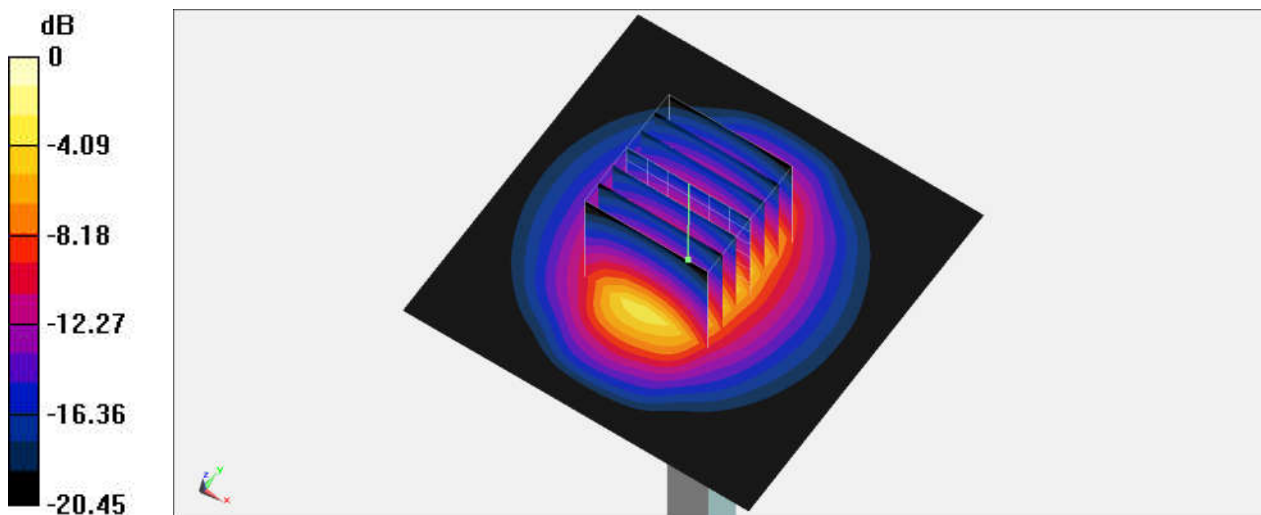
Communication System: CW; Frequency: 2450 MHz; Duty Cycle: 1:1  
Medium: HSL\_2450\_221115 Medium parameters used :  $f = 2450$  MHz;  $\sigma = 1.802$  S/m;  $\epsilon_r = 39.159$ ;  
 $\rho = 1000$  kg/m<sup>3</sup>  
Ambient Temperature : 23.7 °C; Liquid Temperature : 22.7 °C

### DASY5 Configuration:

- Probe: EX3DV4 - SN7590; ConvF(7.82, 7.82, 7.82) @ 2450 MHz; Calibrated: 2022/3/28
- Sensor-Surface: 1.4mm (Mechanical Surface Detection)
- Electronics: DAE4 Sn699; Calibrated: 2022/2/24
- Phantom: ELI V8.0 (20deg probe tilt); Type: QD OVA 004 Ax; Serial: 2055
- Measurement SW: DASY52, Version 52.10 (4); SEMCAD X Version 14.6.14 (7501)

**Pin=250mW/Area Scan (71x71x1):** Interpolated grid: dx=1.200 mm, dy=1.200 mm  
Maximum value of SAR (interpolated) = 21.8 W/kg

**Pin=250mW/Zoom Scan (7x7x7)/Cube 0:** Measurement grid: dx=5mm, dy=5mm, dz=5mm  
Reference Value = 114.8 V/m; Power Drift = -0.08 dB  
Peak SAR (extrapolated) = 26.2 W/kg  
**SAR(1 g) = 12.9 W/kg; SAR(10 g) = 6.07 W/kg**  
Smallest distance from peaks to all points 3 dB below = 9 mm  
Ratio of SAR at M2 to SAR at M1 = 50.1%  
Maximum value of SAR (measured) = 21.5 W/kg



0 dB = 21.5 W/kg = 13.32 dBW/kg

## System Check\_Head\_5250MHz

### DUT: D5GHzV2-1128

Communication System: CW; Frequency: 5250 MHz; Duty Cycle: 1:1

Medium: HSL\_5G\_221114 Medium parameters used:  $f = 5250$  MHz;  $\sigma = 4.72$  S/m;  $\epsilon_r = 37.307$ ;  $\rho = 1000$  kg/m<sup>3</sup>

Ambient Temperature : 23.8 °C; Liquid Temperature : 22.8 °C

#### DASY5 Configuration:

- Probe: EX3DV4 - SN7590; ConvF(5.5, 5.5, 5.5) @ 5250 MHz; Calibrated: 2022/3/28
- Sensor-Surface: 1.4mm (Mechanical Surface Detection)
- Electronics: DAE4 Sn699; Calibrated: 2022/2/24
- Phantom: ELI V8.0 (20deg probe tilt); Type: QD OVA 004 Ax; Serial: 2055
- Measurement SW: DASY52, Version 52.10 (4); SEMCAD X Version 14.6.14 (7501)

**Pin=100mW/Area Scan (71x71x1):** Interpolated grid: dx=1.000 mm, dy=1.000 mm

Maximum value of SAR (interpolated) = 18.4 W/kg

**Pin=100mW/Zoom Scan (9x9x7)/Cube 0:** Measurement grid: dx=4mm, dy=4mm, dz=1.4mm

Reference Value = 66.05 V/m; Power Drift = 0.01 dB

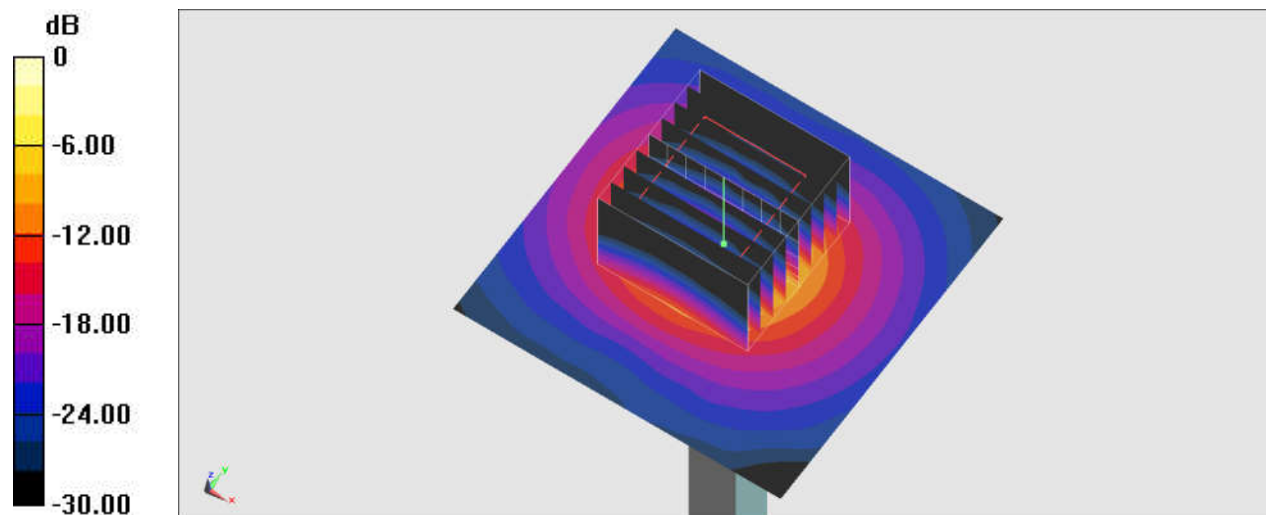
Peak SAR (extrapolated) = 32.8 W/kg

**SAR(1 g) = 7.68 W/kg; SAR(10 g) = 2.18 W/kg**

Smallest distance from peaks to all points 3 dB below = 7.2 mm

Ratio of SAR at M2 to SAR at M1 = 63%

Maximum value of SAR (measured) = 19.7 W/kg



0 dB = 19.7 W/kg = 12.94 dBW/kg

## System Check\_Head\_5250MHz

### DUT: D5GHzV2-1128

Communication System: CW; Frequency: 5250 MHz; Duty Cycle: 1:1

Medium: HSL\_5G\_221120 Medium parameters used:  $f = 5250$  MHz;  $\sigma = 4.62$  S/m;  $\epsilon_r = 36.477$ ;  $\rho = 1000$  kg/m<sup>3</sup>

Ambient Temperature : 23.4 °C; Liquid Temperature : 22.4 °C

DASY5 Configuration:

- Probe: EX3DV4 - SN3976; ConvF(5.47, 5.47, 5.47) @ 5250 MHz; Calibrated: 2022/1/27
- Sensor-Surface: 1.4mm (Mechanical Surface Detection)
- Electronics: DAE3 Sn577; Calibrated: 2022/9/21
- Phantom: ELI V4.0; Type: QD OVA 001 Bx; Serial: 1029
- Measurement SW: DASY52, Version 52.10 (4); SEMCAD X Version 14.6.14 (7483)

**Pin=50mW/Area Scan (81x81x1):** Interpolated grid: dx=1.000 mm, dy=1.000 mm

Maximum value of SAR (interpolated) = 9.23 W/kg

**Pin=50mW/Zoom Scan (7x7x7)/Cube 0:** Measurement grid: dx=4mm, dy=4mm, dz=1.4mm

Reference Value = 48.99 V/m; Power Drift = -0.17 dB

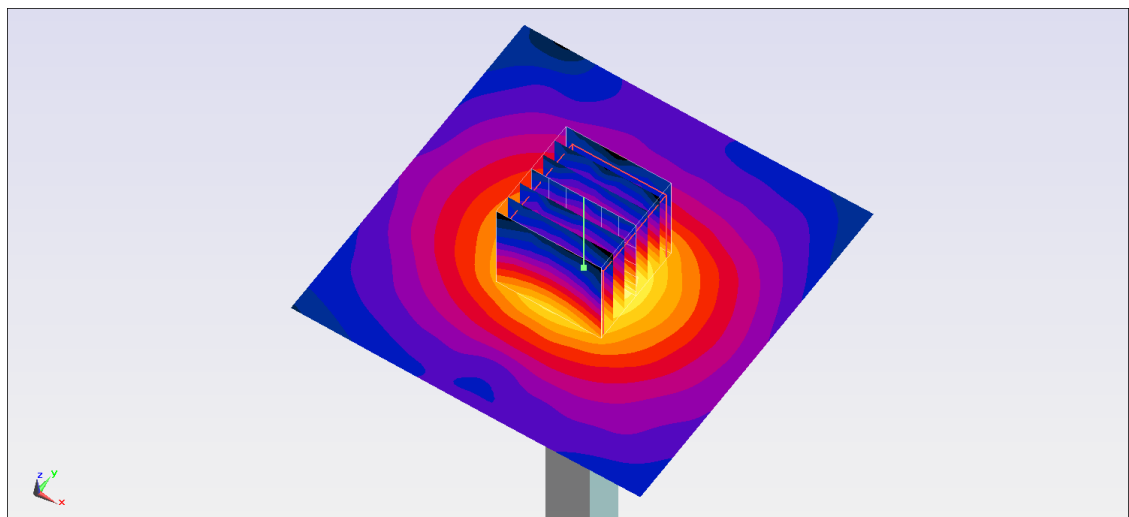
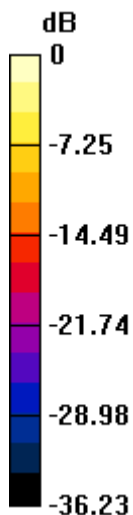
Peak SAR (extrapolated) = 15.6 W/kg

**SAR(1 g) = 3.76 W/kg; SAR(10 g) = 1.06 W/kg**

Smallest distance from peaks to all points 3 dB below = 7.2 mm

Ratio of SAR at M2 to SAR at M1 = 64.1%

Maximum value of SAR (measured) = 9.51 W/kg



0 dB = 9.51 W/kg = 9.78 dBW/kg

## System Check\_Head\_5600MHz

### DUT: D5GHzV2-1128

Communication System: CW ; Frequency: 5600 MHz;Duty Cycle: 1:1

Medium: HSL\_5G\_221114 Medium parameters used:  $f = 5600$  MHz;  $\sigma = 5.056$  S/m;  $\epsilon_r = 36.853$ ;  $\rho = 1000$  kg/m<sup>3</sup>

Ambient Temperature : 23.8 °C ; Liquid Temperature : 22.8 °C

#### DASY5 Configuration:

- Probe: EX3DV4 - SN7590; ConvF(4.98, 4.98, 4.98) @ 5600 MHz; Calibrated: 2022/3/28
- Sensor-Surface: 1.4mm (Mechanical Surface Detection)
- Electronics: DAE4 Sn699; Calibrated: 2022/2/24
- Phantom: ELI V8.0 (20deg probe tilt); Type: QD OVA 004 Ax; Serial: 2055
- Measurement SW: DASY52, Version 52.10 (4);SEMCAD X Version 14.6.14 (7501)

**Pin=100mW/Area Scan (71x71x1):** Interpolated grid: dx=1.000 mm, dy=1.000 mm

Maximum value of SAR (interpolated) = 22.4 W/kg

**Pin=100mW/Zoom Scan (7x7x7)/Cube 0:** Measurement grid: dx=4mm, dy=4mm, dz=1.4mm

Reference Value = 66.49 V/m; Power Drift = -0.01 dB

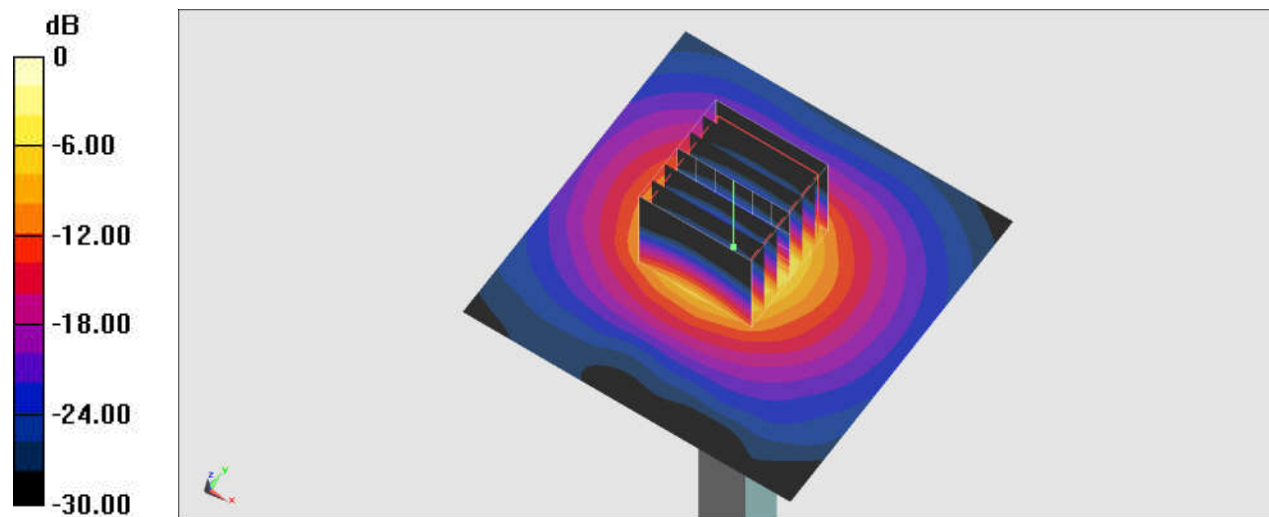
Peak SAR (extrapolated) = 40.1 W/kg

**SAR(1 g) = 8.57 W/kg; SAR(10 g) = 2.41 W/kg**

Smallest distance from peaks to all points 3 dB below = 7.4 mm

Ratio of SAR at M2 to SAR at M1 = 60.2%

Maximum value of SAR (measured) = 22.7 W/kg



0 dB = 22.7 W/kg = 13.56 dBW/kg

## System Check\_Head\_5600MHz

### DUT: D5GHzV2-1128

Communication System: CW; Frequency: 5600 MHz; Duty Cycle: 1:1

Medium: HSL\_5G\_221120 Medium parameters used:  $f = 5600$  MHz;  $\sigma = 4.98$  S/m;  $\epsilon_r = 35.996$ ;  $\rho = 1000$  kg/m<sup>3</sup>

Ambient Temperature : 23.4 °C; Liquid Temperature : 22.4 °C

DASY5 Configuration:

- Probe: EX3DV4 - SN3976; ConvF(4.95, 4.95, 4.95) @ 5600 MHz; Calibrated: 2022/1/27
- Sensor-Surface: 1.4mm (Mechanical Surface Detection)
- Electronics: DAE3 Sn577; Calibrated: 2022/9/21
- Phantom: ELI V4.0; Type: QD OVA 001 Bx; Serial: 1029
- Measurement SW: DASY52, Version 52.10 (4); SEMCAD X Version 14.6.14 (7483)

**Pin=50mW/Area Scan (81x81x1):** Interpolated grid: dx=1.000 mm, dy=1.000 mm

Maximum value of SAR (interpolated) = 11.2 W/kg

**Pin=50mW/Zoom Scan (7x7x7)/Cube 0:** Measurement grid: dx=4mm, dy=4mm, dz=1.4mm

Reference Value = 50.96 V/m; Power Drift = -0.02 dB

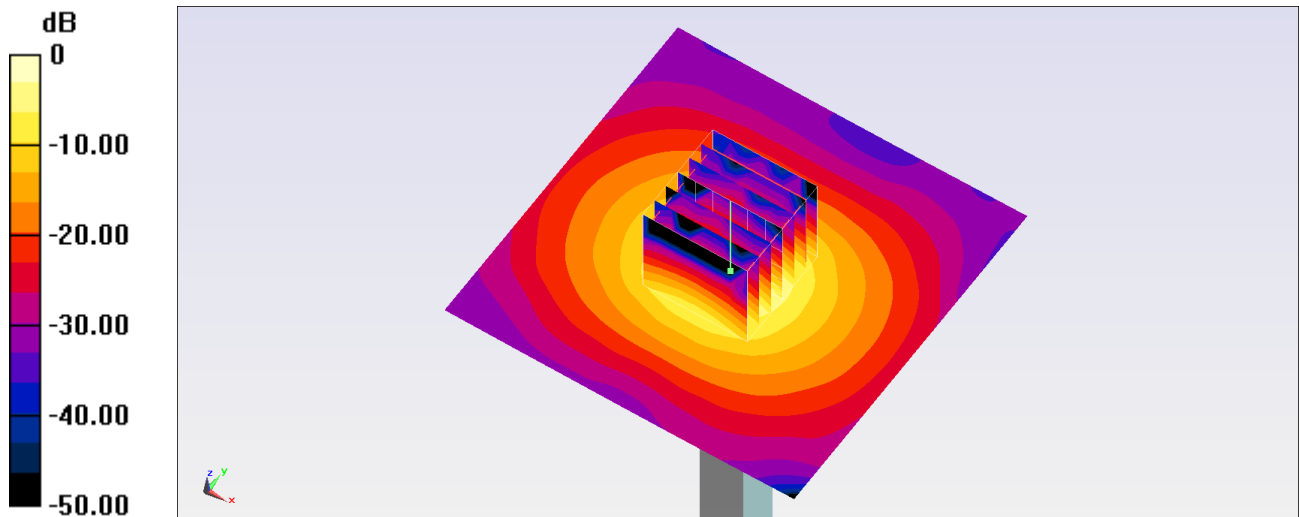
Peak SAR (extrapolated) = 19.5 W/kg

**SAR(1 g) = 4.36 W/kg; SAR(10 g) = 1.23 W/kg**

Smallest distance from peaks to all points 3 dB below = 7.2 mm

Ratio of SAR at M2 to SAR at M1 = 61.7%

Maximum value of SAR (measured) = 11.5 W/kg



0 dB = 11.5 W/kg = 10.61 dBW/kg

## System Check\_Head\_5750MHz

### DUT: D5GHzV2-1128

Communication System: CW ; Frequency: 5750 MHz;Duty Cycle: 1:1

Medium: HSL\_5G\_221114 Medium parameters used:  $f = 5750$  MHz;  $\sigma = 5.178$  S/m;  $\epsilon_r = 36.574$ ;  $\rho = 1000$  kg/m<sup>3</sup>

Ambient Temperature : 23.8 °C ; Liquid Temperature : 22.8 °C

#### DASY5 Configuration:

- Probe: EX3DV4 - SN7590; ConvF(5.23, 5.23, 5.23) @ 5750 MHz; Calibrated: 2022/3/28
- Sensor-Surface: 1.4mm (Mechanical Surface Detection)
- Electronics: DAE4 Sn699; Calibrated: 2022/2/24
- Phantom: ELI V8.0 (20deg probe tilt); Type: QD OVA 004 Ax; Serial: 2055
- Measurement SW: DASY52, Version 52.10 (4);SEMCAD X Version 14.6.14 (7501)

**Pin=100mW/Area Scan (71x71x1):** Interpolated grid: dx=1.000 mm, dy=1.000 mm

Maximum value of SAR (interpolated) = 19.0 W/kg

**Pin=100mW/Zoom Scan (9x9x7)/Cube 0:** Measurement grid: dx=4mm, dy=4mm, dz=1.4mm

Reference Value = 64.78 V/m; Power Drift = 0.14 dB

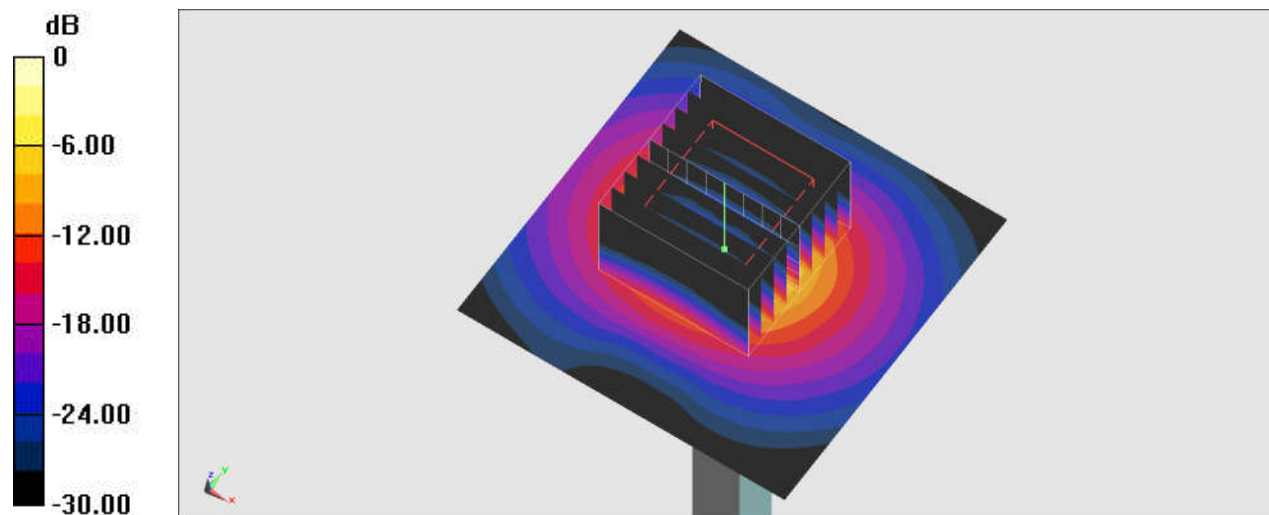
Peak SAR (extrapolated) = 37.0 W/kg

**SAR(1 g) = 7.65 W/kg; SAR(10 g) = 2.15 W/kg**

Smallest distance from peaks to all points 3 dB below = 7.4 mm

Ratio of SAR at M2 to SAR at M1 = 59.4%

Maximum value of SAR (measured) = 20.3 W/kg



0 dB = 20.3 W/kg = 13.07 dBW/kg

## System Check\_Head\_5750MHz

### DUT: D5GHzV2-1128

Communication System: CW; Frequency: 5750 MHz; Duty Cycle: 1:1

Medium: HSL\_5G\_221120 Medium parameters used:  $f = 5750$  MHz;  $\sigma = 5.13$  S/m;  $\epsilon_r = 35.72$ ;  $\rho = 1000$  kg/m<sup>3</sup>

Ambient Temperature : 23.4 °C ; Liquid Temperature : 22.4 °C

DASY5 Configuration:

- Probe: EX3DV4 - SN3976; ConvF(4.87, 4.87, 4.87) @ 5750 MHz; Calibrated: 2022/1/27
- Sensor-Surface: 1.4mm (Mechanical Surface Detection)
- Electronics: DAE3 Sn577; Calibrated: 2022/9/21
- Phantom: ELI V4.0; Type: QD OVA 001 Bx; Serial: 1029
- Measurement SW: DASY52, Version 52.10 (4); SEMCAD X Version 14.6.14 (7483)

**Pin=50mW/Area Scan (81x81x1):** Interpolated grid: dx=1.000 mm, dy=1.000 mm

Maximum value of SAR (interpolated) = 9.36 W/kg

**Pin=50mW/Zoom Scan (7x7x7)/Cube 0:** Measurement grid: dx=4mm, dy=4mm, dz=1.4mm

Reference Value = 46.48 V/m; Power Drift = -0.16 dB

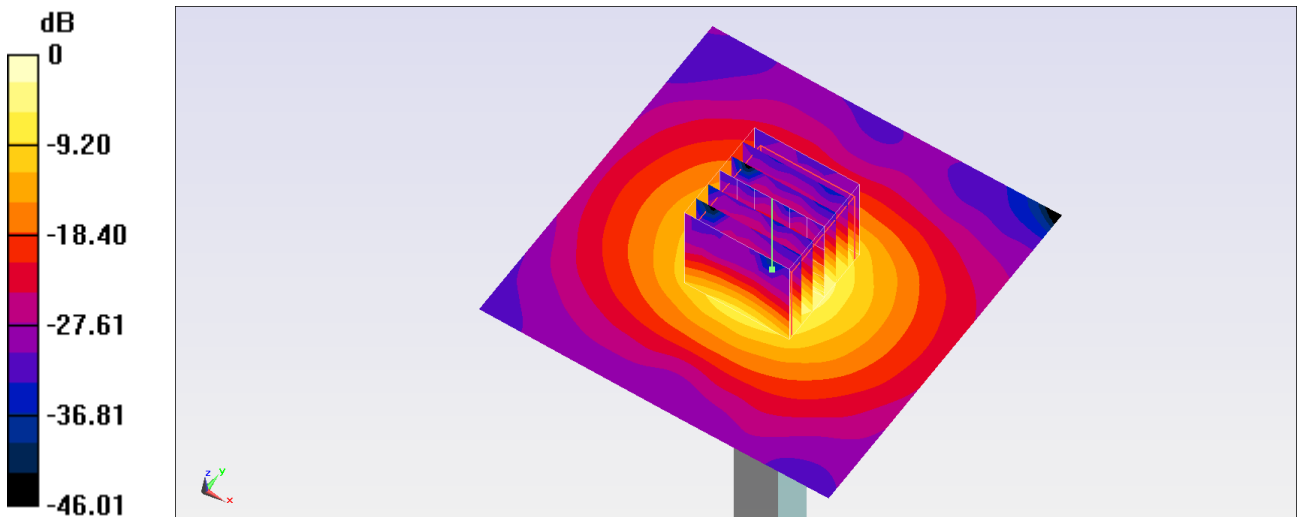
Peak SAR (extrapolated) = 17.1 W/kg

**SAR(1 g) = 3.64 W/kg; SAR(10 g) = 1.02 W/kg**

Smallest distance from peaks to all points 3 dB below = 7.4 mm

Ratio of SAR at M2 to SAR at M1 = 59.9%

Maximum value of SAR (measured) = 9.64 W/kg



0 dB = 9.64 W/kg = 9.84 dBW/kg