

HAC_E_Dipole_835

DUT: HAC-Dipole 835 MHz

Communication System: CW; Frequency: 835 MHz; Duty Cycle: 1:1
 Medium: Air Medium parameters used: $\sigma = 0$ S/m, $\epsilon_r = 1$; $\rho = 0$ kg/m³
 Ambient Temperature : 23.6 °C

DASY5 Configuration

- Probe: EF3DV3 - SN4047; ConvF(1, 1, 1) @ 835 MHz; Calibrated: 2022/1/24
- Sensor-Surface: (Fix Surface)
- Electronics: DAE4 Sn1311; Calibrated: 2021/8/20
- Phantom: HAC Test Arch with AMCC; Type: SD HAC P01 BA;
- Measurement SW: DASY52, Version 52.10 (4); SEMCAD X Version 14.6.14 (7483)

E Scan - measurement distance from the probe sensor center to CD835 = 10mm & 15mm/Hearing Aid Compatibility Test at 15mm distance (41x361x1): Interpolated grid: dx=0.5000 mm, dy=0.5000 mm

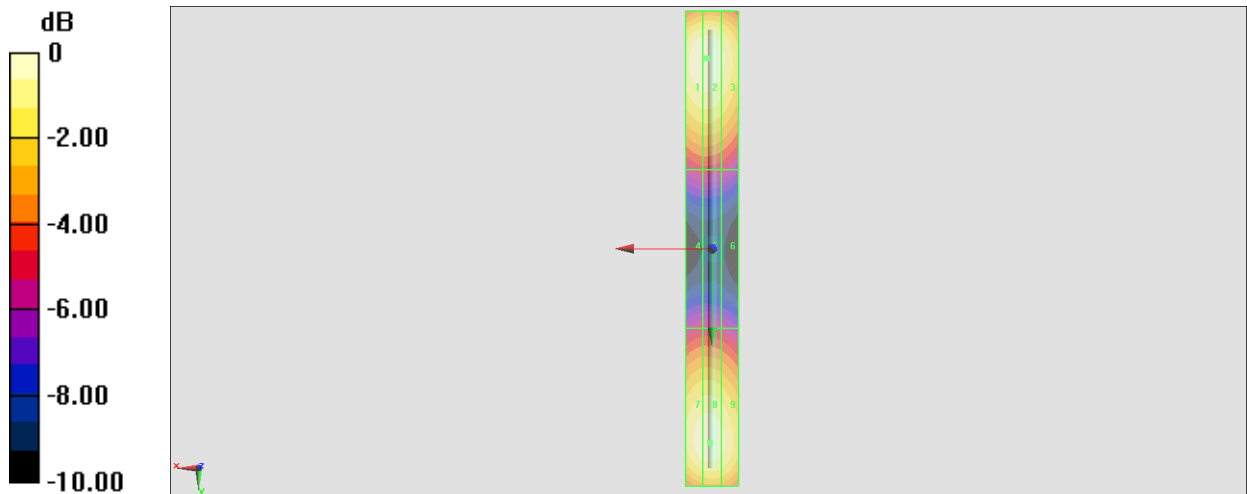
Device Reference Point: 0, 0, -6.3 mm
 Reference Value = 126.4 V/m; Power Drift = -0.10 dB
 PMR not calibrated. PMF = 1.000 is applied.
 E-field emissions = 110.1 V/m
 Average value of Total=(110.1+107.8) / 2 = 108.95 V/m

PMF scaled E-field

Grid 1 M4 109.7 V/m	Grid 2 M4 110.1 V/m	Grid 3 M4 104.5 V/m
Grid 4 M4 62.37 V/m	Grid 5 M4 62.48 V/m	Grid 6 M4 60.03 V/m
Grid 7 M4 107.2 V/m	Grid 8 M4 107.8 V/m	Grid 9 M4 104.4 V/m

Cursor:

Total = 110.1 V/m
 E Category: M4
 Location: 2, -72, 9.7 mm



0 dB = 110.1 V/m = 40.84 dBV/m

HAC_E_Dipole_1880

DUT: HAC Dipole 1880 MHz

Communication System: CW; Frequency: 1880 MHz; Duty Cycle: 1:1

Medium: Air Medium parameters used: $\sigma = 0$ S/m, $\epsilon_r = 1$; $\rho = 0$ kg/m³

Ambient Temperature : 23.6 °C

DASY5 Configuration

- Probe: EF3DV3 - SN4047; ConvF(1, 1, 1) @ 1880 MHz; Calibrated: 2022/1/24
- Sensor-Surface: (Fix Surface)
- Electronics: DAE4 Sn1311; Calibrated: 2021/8/20
- Phantom: HAC Test Arch with AMCC; Type: SD HAC P01 BA;
- Measurement SW: DASY52, Version 52.10 (4); SEMCAD X Version 14.6.14 (7483)

E Scan - measurement distance from the probe sensor center to CD1880 = 10mm & 15mm/Hearing Aid Compatibility Test at 15mm distance (41x181x1): Interpolated grid: dx=0.5000 mm, dy=0.5000 mm

Device Reference Point: 0, 0, -6.3 mm

Reference Value = 166.5 V/m; Power Drift = 0.03 dB

PMR not calibrated. PMF = 1.000 is applied.

E-field emissions = 90.73 V/m

Average value of Total=(87.1+90.73) / 2 = 88.915 V/m

PMF scaled E-field

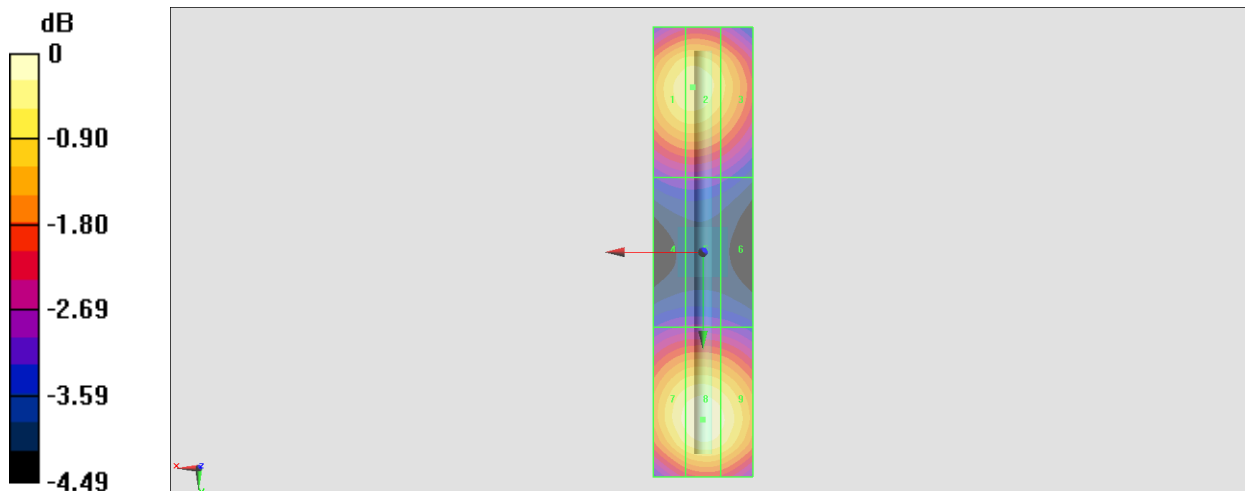
Grid 1 M3 86.88 V/m	Grid 2 M3 87.10 V/m	Grid 3 M3 83.30 V/m
Grid 4 M3 65.04 V/m	Grid 5 M3 65.16 V/m	Grid 6 M3 64.33 V/m
Grid 7 M3 88.71 V/m	Grid 8 M3 90.73 V/m	Grid 9 M3 88.65 V/m

Cursor:

Total = 90.73 V/m

E Category: M3

Location: 0, 33.5, 9.7 mm



0 dB = 90.73 V/m = 39.16 dBV/m

HAC_E_Dipole_2450

DUT: HAC Dipole 2450 MHz

Communication System: CW; Frequency: 2450 MHz; Duty Cycle: 1:1
 Medium: Air Medium parameters used: $\sigma = 0$ S/m, $\epsilon_r = 1$; $\rho = 0$ kg/m³
 Ambient Temperature : 23.6 °C

DASY5 Configuration

- Probe: EF3DV3 - SN4047; ConvF(1, 1, 1) @ 2450 MHz; Calibrated: 2022/1/24
- Sensor-Surface: (Fix Surface)
- Electronics: DAE4 Sn1311; Calibrated: 2021/8/20
- Phantom: HAC Test Arch with AMCC; Type: SD HAC P01 BA;
- Measurement SW: DASY52, Version 52.10 (4); SEMCAD X Version 14.6.14 (7483)

E Scan - measurement distance from the probe sensor center to CD2450 = 10mm & 15mm
2/Hearing Aid Compatibility Test at 15mm distance (41x181x1): Interpolated grid: dx=0.5000 mm, dy=0.5000 mm

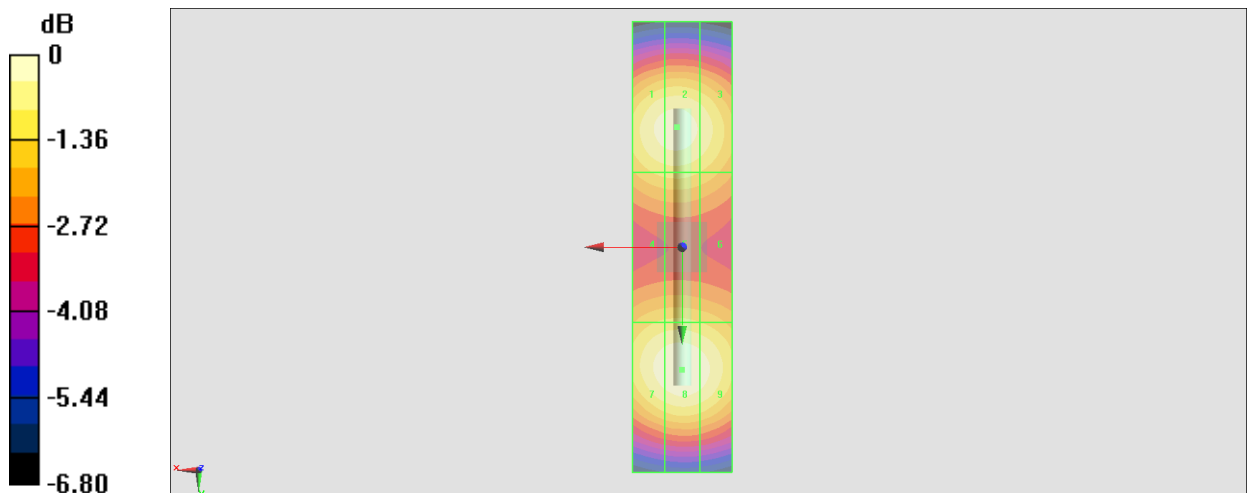
Device Reference Point: 0, 0, -6.3 mm
 Reference Value = 82.92 V/m; Power Drift = 0.01 dB
 PMR not calibrated. PMF = 1.000 is applied.
 E-field emissions = 87.82 V/m
 Average value of Total=(86.11+87.82) / 2 = 86.965 V/m

PMF scaled E-field

Grid 1 M3 85.40 V/m	Grid 2 M3 86.11 V/m	Grid 3 M3 82.89 V/m
Grid 4 M3 76.76 V/m	Grid 5 M3 77.22 V/m	Grid 6 M3 75.29 V/m
Grid 7 M3 86.09 V/m	Grid 8 M3 87.82 V/m	Grid 9 M3 85.84 V/m

Cursor:

Total = 87.82 V/m
 E Category: M3
 Location: 0, 24.5, 9.7 mm



0 dB = 87.82 V/m = 38.87 dBV/m

HAC_E_Dipole_2600

DUT: HAC Dipole 2600 MHz

Communication System: CW ; Frequency: 2600 MHz; Duty Cycle: 1:1

Medium: Air Medium parameters used: $\sigma = 0$ S/m, $\epsilon_r = 1$; $\rho = 0$ kg/m³

Ambient Temperature : 23.6 °C

DASY5 Configuration

- Probe: EF3DV3 - SN4047; ConvF(1, 1, 1) @ 2600 MHz; Calibrated: 2022/1/24
- Sensor-Surface: (Fix Surface)
- Electronics: DAE4 Sn1311; Calibrated: 2021/8/20
- Phantom: HAC Test Arch with AMCC; Type: SD HAC P01 BA;
- Measurement SW: DASY52, Version 52.10 (4); SEMCAD X Version 14.6.14 (7483)

E Scan - measurement distance from the probe sensor center to CD2600 = 10mm & 15mm/Hearing Aid Compatibility Test at 15mm distance (41x181x1): Interpolated grid: dx=0.5000 mm, dy=0.5000 mm

Device Reference Point: 0, 0, -6.3 mm

Reference Value = 64.11 V/m; Power Drift = -0.01 dB

PMR not calibrated. PMF = 1.000 is applied.

E-field emissions = 82.52 V/m

Average value of Total=(82.44+82.52) / 2 = 82.48 V/m

PMF scaled E-field

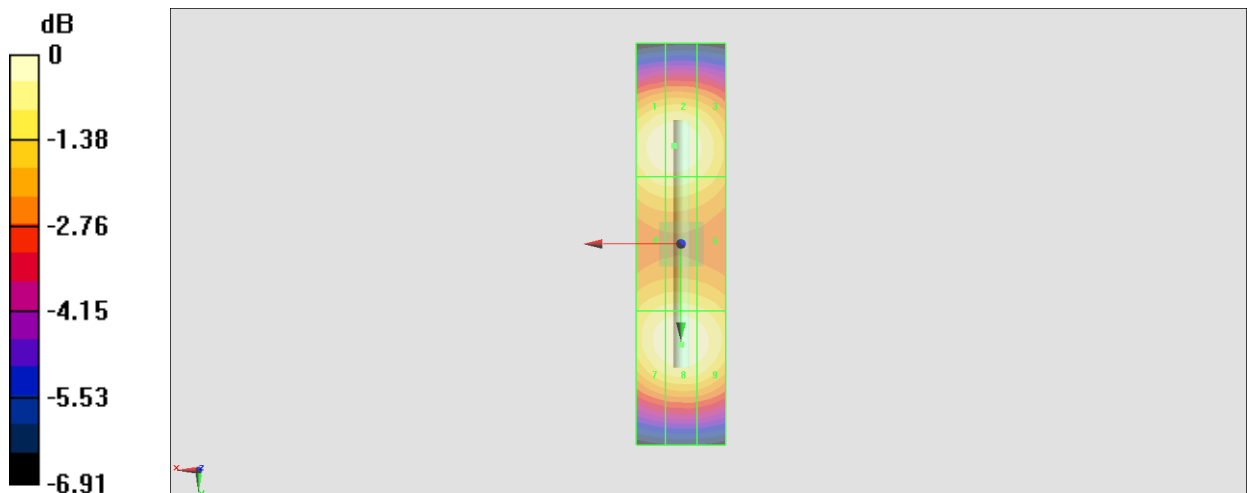
Grid 1 M3 82.06 V/m	Grid 2 M3 82.44 V/m	Grid 3 M3 79.58 V/m
Grid 4 M3 77.01 V/m	Grid 5 M3 77.12 V/m	Grid 6 M3 75.78 V/m
Grid 7 M3 81.28 V/m	Grid 8 M3 82.52 V/m	Grid 9 M3 81.03 V/m

Cursor:

Total = 82.52 V/m

E Category: M3

Location: 0, 22.5, 9.7 mm



0 dB = 82.52 V/m = 38.33 dBV/m

HAC_E_Dipole_3500

DUT: HAC Dipole 3500 MHz

Communication System: CW ; Frequency: 3500 MHz; Duty Cycle: 1:1

Medium: Air Medium parameters used: $\sigma = 0$ S/m, $\epsilon_r = 1$; $\rho = 0$ kg/m³

Ambient Temperature : 23.6 °C

DASY5 Configuration

- Probe: EF3DV3 - SN4047; ConvF(1, 1, 1) @ 3500 MHz; Calibrated: 2022/1/24
- Sensor-Surface: (Fix Surface)
- Electronics: DAE4 Sn1311; Calibrated: 2021/8/20
- Phantom: HAC Test Arch with AMCC; Type: SD HAC P01 BA;
- Measurement SW: DASY52, Version 52.10 (4); SEMCAD X Version 14.6.14 (7483)

E Scan - measurement distance from the probe sensor center to CD3500 = 10mm & 15mm/Hearing Aid Compatibility Test at 15mm distance (41x121x1): Interpolated grid: dx=0.5000 mm, dy=0.5000 mm

Device Reference Point: 0, 0, -6.3 mm

Reference Value = 38.18 V/m; Power Drift = 0.10 dB

PMR not calibrated. PMF = 1.000 is applied.

E-field emissions = 87.15 V/m

Average value of Total=(87.15+86.25) / 2 = 86.7 V/m

PMF scaled E-field

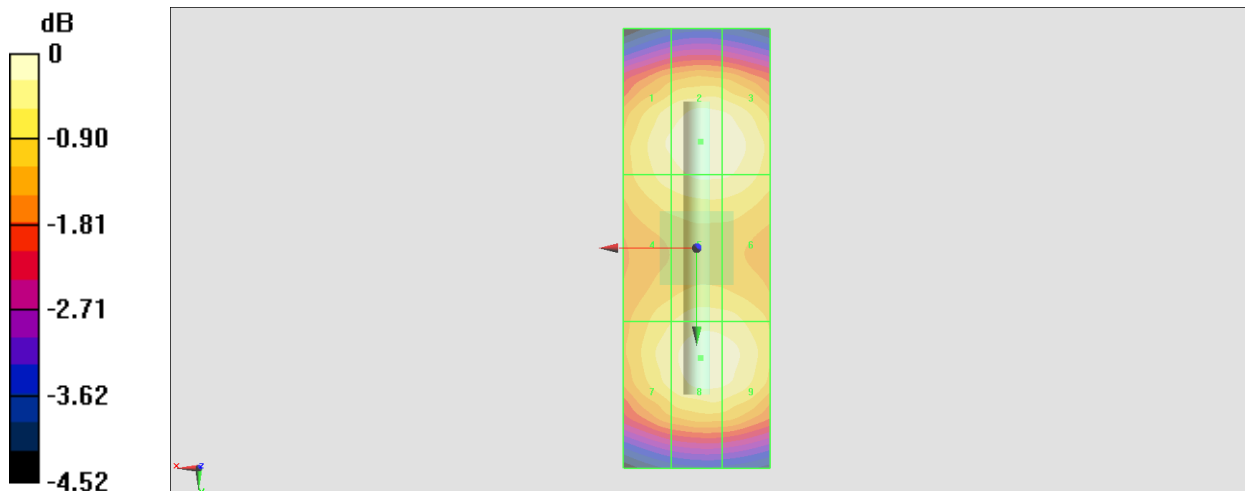
Grid 1 M3 84.70 V/m	Grid 2 M3 87.15 V/m	Grid 3 M3 86.61 V/m
Grid 4 M3 82.94 V/m	Grid 5 M3 84.73 V/m	Grid 6 M3 84.58 V/m
Grid 7 M3 83.50 V/m	Grid 8 M3 86.25 V/m	Grid 9 M3 85.73 V/m

Cursor:

Total = 87.15 V/m

E Category: M3

Location: -0.5, -14.5, 9.7 mm



0 dB = 87.15 V/m = 38.81 dBV/m