

HEARING AID COMPATIBILITY T-COIL TEST REPORT

FCC ID : A4RGPJ41
Equipment : Phone
Model Name : GPJ41
T-Rating : T4
Applicant : Google LLC
1600 Amphitheatre Parkway,
Mountain View, California, 94043 USA
Standard : FCC 47 CFR §20.19
ANSI C63.19-2011

The product was received on Feb. 07, 2023 and testing was started from Apr. 18, 2023 and completed on May 12, 2023. We, SPORTON INTERNATIONAL INC., would like to declare that the tested sample provide by manufacturer and the test data has been evaluated in accordance with the test procedures given in ANSI 63.19-2011 / 47 CFR Part 20.19 and has been pass the FCC requirement.

The test results in this report apply exclusively to the tested model / sample. Without written approval of SPORTON INTERNATIONAL INC. Laboratory, the test report shall not be reproduced except in full.



Approved by: Cona Huang / Deputy Manager



Sporton International Inc. Wensan Laboratory

No.58, Aly. 75, Ln. 564, Wenhua 3rd, Rd., Guishan Dist., Taoyuan City 333010, Taiwan



Table of Contents

- 1. Attestation of Test Results 4**
- 2. General Information 5**
- 3. Testing Location..... 6**
- 4. Applied Standards 6**
- 5. Air Interface and Operating Mode..... 7**
- 6. Measurement standards for T-Coil 8**
 - 6.1 Frequency Response 8
 - 6.2 T-Coil Signal Quality Categories..... 8
 - 6.3 Description of EUT Test Position 9
- 7. T-Coil Test Procedure10**
 - 7.1 Test Flow Chart..... 11
 - 7.2 Test Setup Diagram for GSM/UMTS/CDMA/VoLTE/VoWiFi/VoNR 12
 - 7.3 Test Setup Diagram for OTT Voice Calling 14
- 8. Test Equipment List16**
- 9. T-Coil testing for CMRS Voice.....17**
 - 9.1 GSM Tests Results 17
 - 9.2 UMTS Tests Results 18
- 10. T-Coil testing for CMRS IP Voice19**
 - 10.1 VoLTE Tests Results..... 19
 - 10.2 VoNR evaluation..... 21
 - 10.3 VoWiFi Tests Results..... 24
- 11. T-Coil testing for OTT Voice Calling27**
- 12. Uncertainty Assessment31**
- 13. References.....32**

Appendix A. Plots of T-Coil Measurement
Appendix B. DASy Calibration Certificate
Appendix C. Test Setup Photos



History of this test report

Report No.	Version	Description	Issued Date
HA2D0208-03B	Rev. 01	Initial issue of report	Jun. 25, 2023



1. Attestation of Test Results

Air Interface	Band MHz	T-Rating	Frequency Response	Magnetic Intensity
GSM CMRS Voice	GSM850	T4	Pass	Pass
	GSM1900	T4	Pass	Pass
OTT over EDGE	EDGE850	T4	Pass	Pass
	EDGE1900	T4	Pass	Pass
UMTS CMRS Voice	Band 2	T4	Pass	Pass
	Band 4	T4	Pass	Pass
	Band 5	T4	Pass	Pass
OTT over UMTS	Band 2	T4	Pass	Pass
	Band 4	T4	Pass	Pass
	Band 5	T4	Pass	Pass
VoLTE	Band 7	T4	Pass	Pass
	Band 12/17	T4	Pass	Pass
	Band 13	T4	Pass	Pass
	Band 14	T4	Pass	Pass
	Band 2/25	T4	Pass	Pass
	Band 5/26	T4	Pass	Pass
	Band 30	T4	Pass	Pass
	Band 38/41	T4	Pass	Pass
	Band 48	T4	Pass	Pass
	Band 4/66	T4	Pass	Pass
OTT over LTE	Band 71	T4	Pass	Pass
	Band 30	T4	Pass	Pass
VoNR	Band 41	T4	Pass	Pass
	n7	T4	Pass	Pass
	n12	T4	Pass	Pass
	n2/n25	T4	Pass	Pass
	n5/n26	T4	Pass	Pass
	n30	T4	Pass	Pass
	n38/n41	T4	Pass	Pass
	n66	T4	Pass	Pass
	n71	T4	Pass	Pass
	n77	T4	Pass	Pass
OTT over 5G NR	n78	T4	Pass	Pass
	n66	T4	Pass	Pass
VoWiFi	n41	T4	Pass	Pass
	2450	T4	Pass	Pass
	5200	T4	Pass	Pass
	5300	T4	Pass	Pass
	5500	T4	Pass	Pass
	5800 / 5900	T4	Pass	Pass
OTT over WiFi	U-NII 5	T4	Pass	Pass
	2450	T4	Pass	Pass
Date Tested	5200	T4	Pass	Pass

2023/04/18 ~2023/05/12

The device is compliance with HAC limits specified in guidelines FCC 47CFR §20.19 and ANSI Standard ANSI C63.19.

Reviewed by: Jason Wang
Report Producer: Paula Chen



2. General Information

Product Feature & Specification	
Applicant Name	Google LLC
Equipment Name	Phone
Model Name	GPJ41
FCC ID	A4RGPJ41
S/N	33251FDJH00075
Frequency Band	GSM850: 824.2 MHz ~ 848.8 MHz GSM1900: 1850.2 MHz ~ 1909.8 MHz WCDMA Band II: 1850 MHz ~ 1910 MHz WCDMA Band IV: 1710 MHz ~ 1755 MHz WCDMA Band V: 824 MHz ~ 849 MHz LTE Band 2: 1850 MHz ~ 1910 MHz LTE Band 4: 1710 MHz ~ 1755 MHz LTE Band 5: 824 MHz ~ 849 MHz LTE Band 7: 2500 MHz ~ 2570 MHz LTE Band 12: 699 MHz ~ 716 MHz LTE Band 13: 777 MHz ~ 787 MHz LTE Band 14: 788 MHz ~ 798 MHz LTE Band 17: 704 MHz ~ 716 MHz LTE Band 25: 1850 MHz ~ 1915 MHz LTE Band 26: 814 MHz ~ 849 MHz LTE Band 30: 2305 MHz ~ 2315 MHz LTE Band 38: 2570 MHz ~ 2620 MHz LTE Band 41: 2496 MHz ~ 2690 MHz LTE Band 48: 3550 MHz ~ 3700 MHz LTE Band 66: 1710 MHz ~ 1780 MHz LTE Band 71: 663 MHz ~ 698 MHz 5G NR n2 : 1850 MHz ~ 1910 MHz 5G NR n5 : 824 MHz ~ 849 MHz 5G NR n7 : 2500 MHz ~ 2570 MHz 5G NR n12 : 699 MHz ~ 716 MHz 5G NR n25 : 1850 MHz ~ 1915 MHz 5G NR n26 : 814 MHz ~ 849 MHz 5G NR n30 : 2305 MHz ~ 2315 MHz 5G NR n38 : 2570 MHz ~ 2620 MHz 5G NR n41 : 2496 MHz ~ 2690 MHz 5G NR n66 : 1710 MHz ~ 1780 MHz 5G NR n71 : 663 MHz ~ 698 MHz 5G NR n77: 3450MHz ~ 3550MHz, 3700 MHz ~ 3980 MHz 5G NR n78: 3450MHz ~ 3550MHz, 3700 MHz ~ 3800 MHz WLAN 2.4 GHz Band: 2400 MHz ~ 2483.5 MHz WLAN 5.2 GHz Band: 5150 MHz ~ 5250 MHz WLAN 5.3 GHz Band: 5250 MHz ~ 5350 MHz WLAN 5.6 GHz Band: 5470 MHz ~ 5725 MHz WLAN 5.8 GHz Band: 5725 MHz ~ 5850 MHz WLAN 5.8G UNII4 Band: 5850 MHz ~ 5895 MHz WLAN 6E: 5925 MHz ~ 6425 MHz, 6425 MHz ~ 6525 MHz, 6525 MHz ~ 6875 MHz, 6875 MHz ~ 7125 MHz Bluetooth: 2400 MHz ~ 2483.5 MHz NFC : 13.56 MHz WPT: 110.1KHz ~ 148.5KHz
Mode	GSM/GPRS/EGPRS RMC/AMR 12.2Kbps HSDPA HSUPA LTE: QPSK, 16QAM, 64QAM, 256QAM 5G NR: DFT-s-OFDM/CP-OFDM, Pi/2 BPSK/QPSK/16QAM/64QAM/256QAM WLAN: 802.11a/b/g/n/ac/ax/be HT20/HT40/VHT20/VHT40/VHT80/VHT160/HE20/HE40/HE80/HE160/EHT20/EHT40/EHT80/EHT160 Bluetooth BR/EDR/LE/HR NFC : ASK WPT: ASK



3. Testing Location

Sporton Lab is accredited to ISO 17025 by Taiwan Accreditation Foundation (TAF code: 3786) and the FCC designation No. TW3786 under the FCC 2.948(e) by Mutual Recognition Agreement (MRA) in FCC test.

Testing Laboratory	
Test Site	SPORTON INTERNATIONAL INC.
Test Site Location	No.58, Aly. 75, Ln. 564, Wenhua 3rd, Rd., Guishan Dist., Taoyuan City 333010, Taiwan TEL:+886-3-327-0838 FAX: +886-3-327-0855
Test Site No.	Sporton Site No.: SAR15-HY

4. Applied Standards

- FCC CFR47 Part 20.19
- ANSI C63.19 2011-version
- FCC KDB 285076 D01 HAC Guidance v06r03
- FCC KDB 285076 D02 T Coil testing v04
- FCC KDB 285076 D03 HAC FAQ v01r06



5. Air Interface and Operating Mode

Air Interface	Band MHz	Type	C63.19 Tested	Simultaneous Transmitter	Name of Voice Service	Power Reduction
GSM	GSM850	VO	Yes	WLAN, BT	CMRS Voice	No
	GSM1900			WLAN, BT		No
	EDGE850	VD	Yes	WLAN, BT	Google Meet ⁽¹⁾	No
	EDGE1900			WLAN, BT		No
UMTS	Band 2	VO	Yes	WLAN, BT	CMRS Voice	No
	Band 4			WLAN, BT		No
	Band 5			WLAN, BT		No
	HSPA	VD	Yes	WLAN, BT	Google Meet ⁽¹⁾	No
LTE (FDD)	Band 2	VD	Yes	5G NR, WLAN, BT	VoLTE / Google Meet ⁽¹⁾	No
	Band 4			5G NR, WLAN, BT		No
	Band 5			5G NR, WLAN, BT		No
	Band 7			5G NR, WLAN, BT		No
	Band 12			5G NR, WLAN, BT		No
	Band 13			5G NR, WLAN, BT		No
	Band 14			5G NR, WLAN, BT		No
	Band 17			5G NR, WLAN, BT		No
	Band 25			5G NR, WLAN, BT		No
	Band 26			5G NR, WLAN, BT		No
	Band 30			5G NR, WLAN, BT		No
	Band 66			5G NR, WLAN, BT		No
	Band 71			5G NR, WLAN, BT		No
	LTE (TDD)			Band 38		VD
Band 41		5G NR, WLAN, BT	No			
Band 48		5G NR, WLAN, BT	No			
5G NR	n2	VD	Yes	LTE, WLAN, BT	VoNR / Google Meet ⁽¹⁾	No
	n5			LTE, WLAN, BT		No
	n7			LTE, WLAN, BT		No
	n12			LTE, WLAN, BT		No
	n25			LTE, WLAN, BT		No
	n26			LTE, WLAN, BT		No
	n30			LTE, WLAN, BT		No
	n38			LTE, WLAN, BT		No
	n41			LTE, WLAN, BT		No
	n66			LTE, WLAN, BT		No
	n71			LTE, WLAN, BT		No
	n77			LTE, WLAN, BT		No
	n78			LTE, WLAN, BT		No
Wi-Fi	2450	VD	Yes	GSM, WCDMA, LTE, 5G NR, 5G/6G WLAN	VoWiFi ⁽¹⁾ / Google Meet ⁽¹⁾	No
	5200			GSM, WCDMA, LTE, 5G NR, 2.4G WLAN, BT		No
	5300			GSM, WCDMA, LTE, 5G NR, 2.4G WLAN, BT		No
	5500			GSM, WCDMA, LTE, 5G NR, 2.4G WLAN, BT		No
	5800 / 5900			GSM, WCDMA, LTE, 5G NR, 2.4G WLAN, BT		No
Wi-Fi	U-NII 5	VD	Yes ⁽³⁾	GSM, WCDMA, LTE, 5G NR, 2.4G WLAN, BT	VoWiFi ⁽¹⁾ / Google Meet ⁽¹⁾	No
	U-NII 6		No ⁽²⁾			
	U-NII 7					
	U-NII 8					
BT	2450	DT	No	GSM, WCDMA, LTE, 5G NR, 5G/6G WLAN	NA	No

Type Transport:

VO= Voice only
 DT= Digital Transport only (no voice)
 VD= CMRS and IP Voice Service over Digital Transport

Remark:

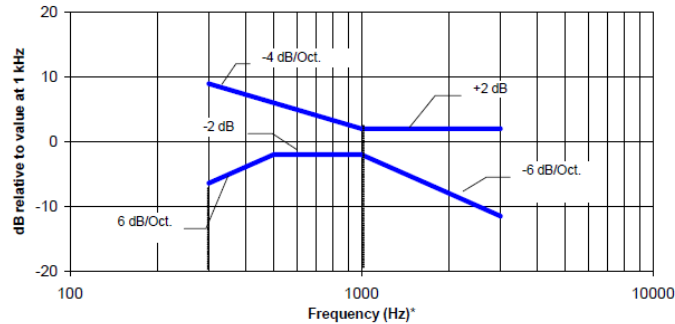
- For protocols not listed in Table 7.1 of ANSI C63.19-2011 or the ANSI C63.19-2011 VoLTE interpretation, the average speech level of -20 dBm0 should be used.
- The U-NII 6/7/8 were above 6GHz and were not evaluated due to outside of the current scope of ANSI C63.19 and FCC HAC regulations.
- The UNII-5 was evaluated for operations which are entirely below 6 GHz, above 6 GHz were not evaluated due outside of the current scope of ANSI C63.19 and FCC HAC regulations.
- Because features of Google Meet allow the option of voice-only communications, Meet has been tested for HAC/T-Coil compatibility to ensure the best user experience.
- The device have similar frequency in some LTE and NR bands: LTE B12/17, 5/26, 4/66, 2/25, 38/41 and NR Band 2/25, 5/26, 38/41, 77/78, since the supported frequency spans for the smaller LTE and NR bands are completely cover by the larger LTE and NR bands, therefore, only larger LTE and NR bands were required to be tested for hearing-aid compliance.

6. Measurement standards for T-Coil

6.1 Frequency Response

The frequency response of the perpendicular component of the magnetic field, measured in 1/3 octave bands, shall follow the response curve specified in this sub-clause, over the frequency range 300 Hz to 3000 Hz.

Figure 1.1 and Figure 1.2 provide the boundaries as a function of frequency. These response curves are for true field-strength measurements of the T-Coil signal. Thus, the 6 dB/octave probe response has been corrected from the raw readings.



NOTE—The frequency response is between 300 Hz and 3000 Hz.

Fig. 1.1 Magnetic field frequency response for WDs with field strength ≤ -15 dB at 1 kHz



NOTE—The frequency response is between 300 Hz and 3000 Hz.

Fig. 1.2 Magnetic field frequency response for WDs with a field that exceeds -15 dB(A/m) at 1 kHz

6.2 T-Coil Signal Quality Categories

This section provides the signal quality requirement for the intended T-Coil signal from a WD. Only the RF immunity of the hearing aid is measured in T-Coil mode. It is assumed that a hearing aid can have no immunity to an interference signal in the audio band, which is the intended reception band for this mode. A device is assessed beginning by determining the category of the RF environment in the area of the T-Coil source.

The RF measurements made for the T-Coil evaluation are used to assign the category T1 through T4. The limitation is given in Table 1. This establishes the RF environment presented by the WD to a hearing aid.

Category	Telephone parameters WD signal quality ((signal + noise) to noise ratio in dB)
Category T1	0 to 10 dB
Category T2	10 to 20 dB
Category T3	20 to 30 dB
Category T4	> 30 dB

Table 1 T-Coil Signal Quality Categories

6.3 Description of EUT Test Position

Fig.3 illustrate the references and reference plane that shall be used in a typical EUT emissions measurement. The principle of this section is applied to EUT with similar geometry. Please refer to Appendix C for the setup photographs.

- ◆ The area is 5 cm by 5 cm.
- ◆ The area is centered on the audio frequency output transducer of the EUT.
- ◆ The area is in a reference plane, which is defined as the planar area that contains the highest point in the area of the phone that normally rests against the user’s ear. It is parallel to the centerline of the receiver area of the phone and is defined by the points of the receiver-end of the EUT handset, which, in normal handset use, rest against the ear.
- ◆ The measurement plane is parallel to, and 10 mm in front of, the reference plane.

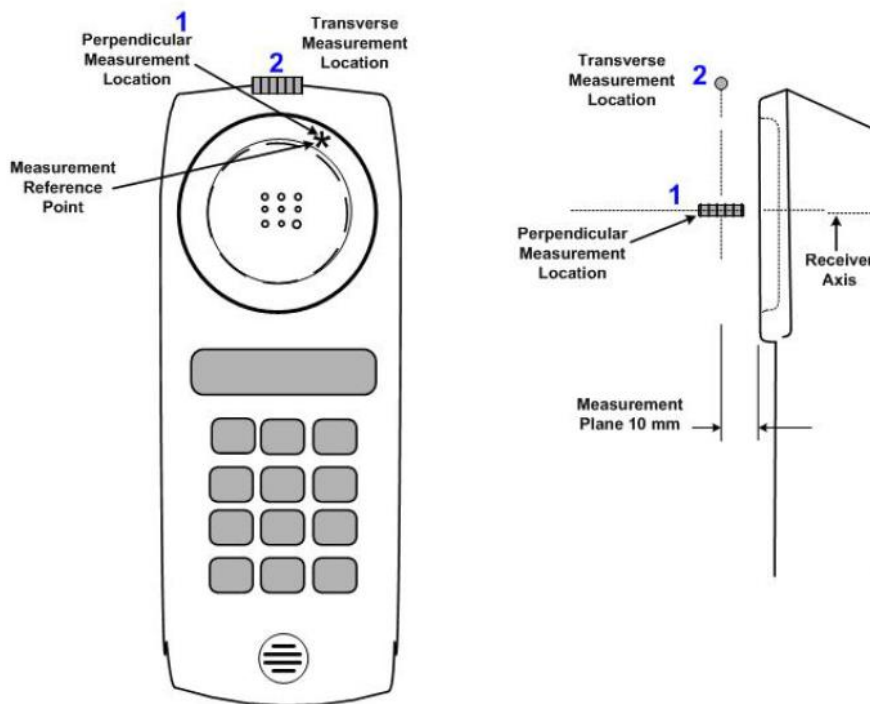


Fig.3 A typical EUT reference and plane for T-Coil measurements



7. T-Coil Test Procedure

Referenced to ANSI C63.19-2011, Section 7.4

This section describes the procedures used to measure the ABM (T-Coil) performance of the WD. In addition to measuring the absolute signal levels, the A-weighted magnitude of the unintended signal shall also be determined. To assure that the required signal quality is measured, the measurement of the intended signal and the measurement of the unintended signal must be made at the same location for each measurement position. In addition, the RF field strength at each measurement location must be at or below that required for the assigned category.

Measurements shall not include undesired properties from the WD's RF field; therefore, use of a coaxial connection to a base station simulator or non-radiating load, there might still be RF leakage from the WD, which can interfere with the desired measurement. Pre-measurement checks should be made to avoid this possibility. All measurements shall be performed with the WD operating on battery power with an appropriate normal speech audio signal input level given in ANSI C63.19-2011 Table 7.1. If the device display can be turned off during a phone call, then that may be done during the measurement as well,

Measurement shall be performed at two locations specified in ANSI C63.19-2011 A.3, with the correct probe orientation for a particular location, in a multistage sequence by first measuring the field intensity of the desired T-Coil signal the same location as the desired ABM or T-Coil signal (ABM1), and the ratio of desired to undesired magnetic components (ABM2) must be measured at the same location as the desired ABM or T-Coil signal (ABM1), and the ratio of desired to undesired ABM signals must be calculated. For the perpendicular field location, only the ABM1 frequency response shall be determined in a third measurement stage.

The following steps summarize the basic test flow for determining ABM1 and ABM2. These steps assume that a sine wave or narrowband 1/3 octave signal can be used for the measurement of ABM1.

- a. A validation of the test setup and instrumentation may be performed using a TMFS or Helmholtz coil Measure the emissions and confirm that they are within the specified tolerance.
- b. Position the WD in the test setup and connect the WD RF connector to a base station simulator or a non-radiating load. Confirm that equipment that requires calibration has been calibrated, and that the noise level meets the requirements given in ANSI C63.19-2011 clause 7.3.1.
- c. The drive level to the WD is set such that the reference input level specified in ANSI C63.19-2011 Table 7.1 is input to the base station simulator (or manufacturer's test mode equivalent) in 1 kHz, 1/3 octave band. This drive level shall be used for the T-Coil signal test (ABM1) at $f = 1$ kHz. Either a sine wave at 1025 Hz or a voice-like signal, band-limited to the 1 kHz 1/3 octave, as defined in ANSI C63.19-2011 clause 7.4.2, shall be used for the reference audio signal. If interference is found at 1025 Hz an alternative nearby reference audio signal frequency may be used. The same drive level shall be used for the ABM1 frequency response measurements at each 1/3 octave band center frequency. The WD volume control may be set at any level up to maximum, provided that a signal at any frequency at maximum modulation would not result in clipping or signal overload.
- d. Determine the magnetic measurement locations for the WD device (A.3), if not already specified by the manufacturer, as described in ANSI C63.19-2011 clause 7.4.4.1.1 and 7.4.4.2.
- e. At each measurement location, measure and record the desired T-Coil magnetic signals (ABM1 at f_i) as described in ANSI C63.19-2011 clause 7.4.4.2 in each individual ISO 266-1975 R10 standard 1/3 octave band. The desired audio band input frequency (f_i) shall be centered in each 1/3 octave band maintaining the same drive level as determined in item c) and the reading taken for that band.
- f. Equivalent methods of determining the frequency response may also be employed, such as fast Fourier transform (FFT) analysis using noise excitation or input-output comparison using simulated speech. The full-band integrated probe output, as specified in D.9, may be used, as long as the appropriate calibration curve is applied to the measured result, so as to yield an accurate measurement of the field magnitude. (The resulting measurement shall be an accurate measurement in dB A/m.)
- g. All Measurements of the desired signal shall be shown to be of the desired signal and not of an undesired signal. This may be shown by turning the desired signal ON and OFF with the probe measuring the same location. If the scanning method is used the scans shall show that all measurement points selected for the ABM1 measurement meet the ambient and test system noise criteria in ANSI C63.19-2011 clause 7.3.1.
- h. At the measurement location for each orientation, measure and record the undesired broadband audio magnetic signal (ABM2) as specified in ANSI C63.19-2011 clause 7.4.4.4 with no audio signal applied (or digital zero applied, if appropriate) using A-weighting and the half-band integrator. Calculate the ratio of the desired to undesired signal strength (i.e., signal quality).
- i. Obtain the data from the postprocessor, SEMCAD, and determine the category that properly classifies the signal quality based on ANSI C63.19-2011 Table 8.5.

7.1 Test Flow Chart

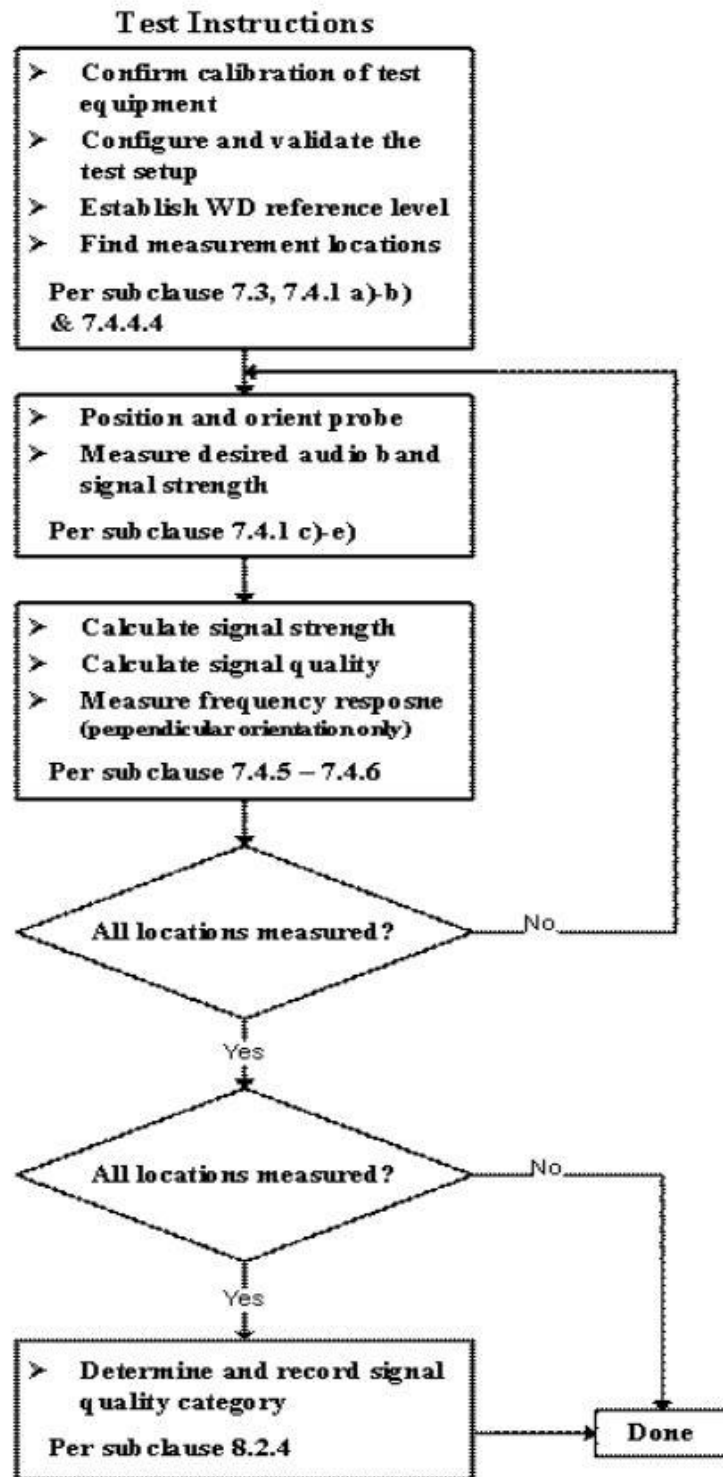
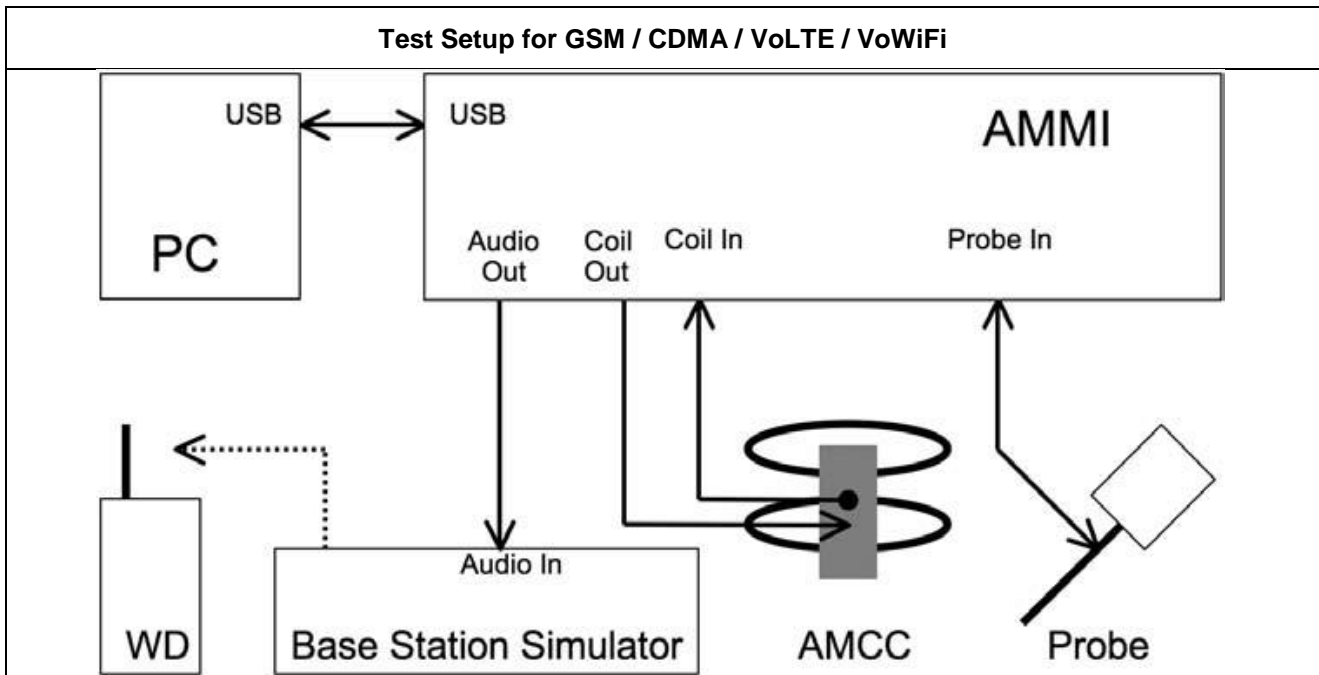


Fig. 2 T-Coil Signal Test flowchart

7.2 Test Setup Diagram for GSM/UMTS/CDMA/VoLTE/VoWiFi/VoNR



General Note:

1. Define the all applicable input audio level as below according to C63 and KDB 285076 D02:
 - GSM input level: -16dBm0
 - UMTS input level: -16dBm0
 - CDMA input level: -18dBm0
 - VoLTE input level: -16dBm0
 - VoNR input level: -16dBm0
 - VoWiFi input level: -20dBm0
2. For GSM / UMTS / CDMA test setup and input level, the correct input level definition is via a communication tester CMU200's "Decoder Cal" and "Codec Cal" with audio option B52 and B85 to set the correct audio input levels.
3. CMU200 is able to output 1kHz audio signal equivalent to 3.14dBm0 at "Decoder Cal." configuration, the signal reference is used to adjust the AMMI gain setting to reach -16dBm0 for GSM/UMTS and -18dBm0 for CDMA. CMW500 input is calibrated and the relation between the analog input voltage and the internal level in dBm0 can be determined
4. The test setup used for VoLTE and VoWiFi over IMS is via the callbox of CMW500 for T-coil measurement, The data application unit of the CMW500 was used to simulate the IP multimedia subsystem server. The CMW500 can be manually configured to ensure and control the speech input level result is -16dBm0 for VoLTE, -20dBm0 for VoWiFi when the device during the IMS connection.
5. The test setup used for VoNR over IMS is via the callbox of CMX500 for T-coil measurement, The data application unit of the CMX500 was used to simulate the IP multimedia subsystem server. The CMW500 can be manually configured to ensure and control the speech input level result is -16dBm0 for VoNR when the device during the IMS connection.
6. According to KDB 285076 D02, T-Coil testing for VoLTE, VoNR and VoWiFi requires test instrumentation that can (1) for the system to be able to establish an IP call from/to the handset under test, (2) through an IMS (IP Multimedia Subsystem) and SIP/IP server, (3) to an analog audio adapter containing the permissible set of codecs used by the device under test, and (4) inject the necessary C63.19 test tones at the average speech level for the measurement. The test setup is illustrated above Figure. The R&S CMW500 and CMX500 was used as system simulator for VoLTE, VoNR and VoWiFi T-Coil testing. The DAU (Data Application Unit) in CMW500, CMX500 integrates IMS and SIP/IP server that can establish VoLTE, VoNR and Wi-Fi calling, and transport the test tones from AMMI (Audio Magnetic Measuring Instrument) to EUT.

<Define the input level for GSM/UMTS/CDMA>

1. The Required gain factor for the specific signal shall typically be multiplied by this factor to achieve approx. the same level as for the 1kHz sine signal
2. The below calculation formula is an example and showing how to determine the input level for the device.

The predefined signal types have the following differences / factors compared to the 1kHz sine signal:

Signal [file name]	Duration [s]	Peak-to-RMS [dB]	RMS [dB]	Required gain factor (*)	Gain setting
1kHz sine	---	3.0	0.0	1.00	
48k_1.025kHz_10s.wav	10	3.0	0.0	1.00	
48k_1kHz_3.15kHz_10s.wav	10	6.0	-3.0	1.42	
48k_315Hz_1kHz_10s.wav	10	6.0	-2.9	1.40	
48k_csek_8k_441_white_10s.wav	10	13.8	-10.5	3.34	
48k_multisine_50-5000_10s.wav	10	11.1	-7.9	2.49	
48k_voice_1kHz_1s.wav	1	16.2	-12.7	4.33	
48k_voice_300-3000_2s.wav	2	21.6	-18.6	8.48	

(*) The gain for the specific signal shall typically be multiplied by this factor to achieve approx. the same level as for the 1kHz sine signal.

Insert the gain applicable for your setup in the last column of the table.

<Example define the input level for GSM/UMTS/CDMA>

Gain Value	20* log(gain)	AMCC Coil In	Level
(linear)	dB	(dBV RMS)	dBm0
		-2.47	3.14
10	20	-19.85	-14.24
8.17	18.24	-21.61	-16

Signal Type	Duration (s)	Peak to RMS (dB)	RMS (dB)	Required Gain Factor	Calculated Gain Setting
1kHz sine	-	3	0	1	8.17
48k_voice_1kHz	1	16.2	-12.7	4.33	35.36
48k_voice_300Hz ~ 3kHz	2	21.6	-18.6	8.48	69.25

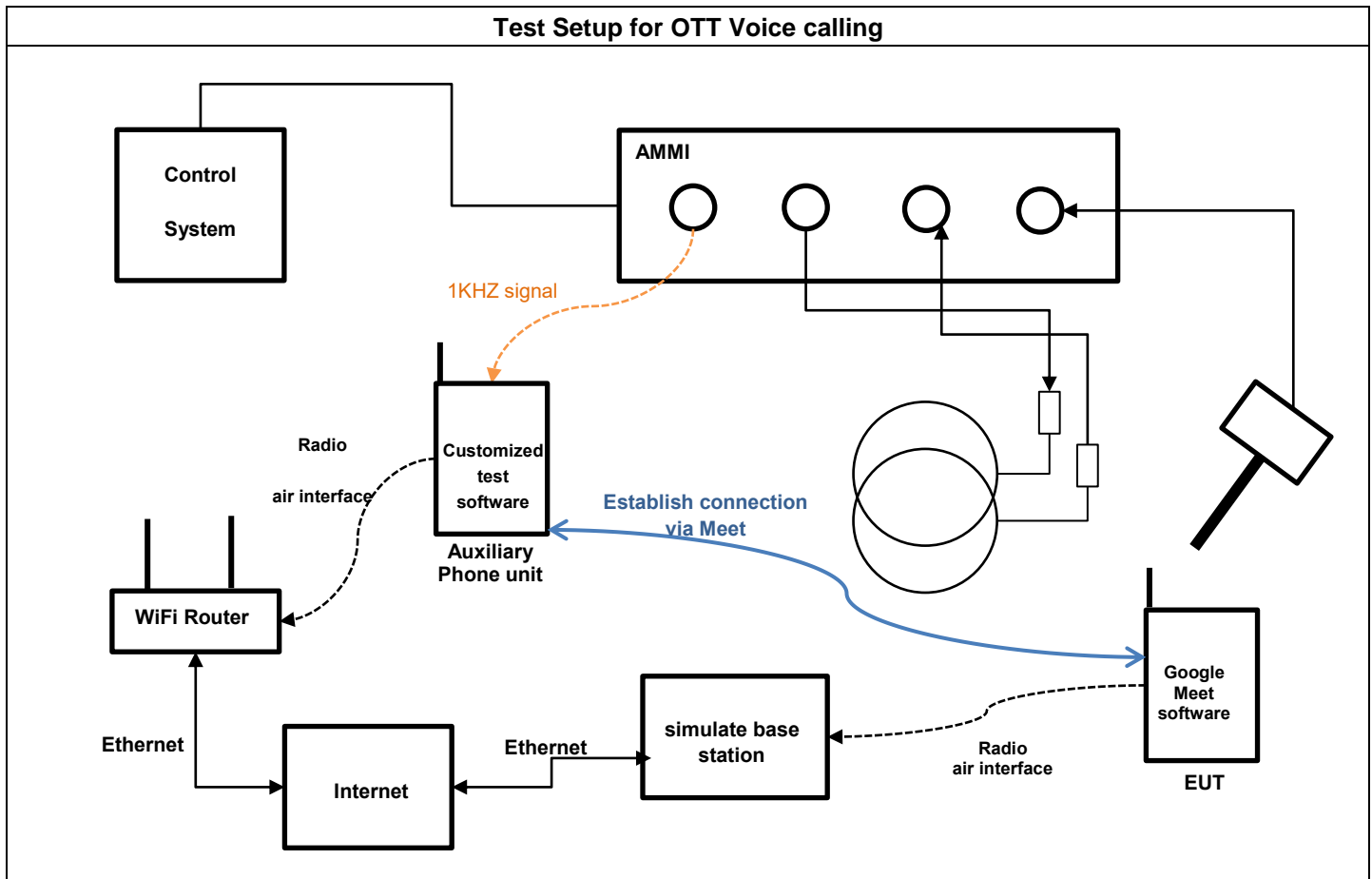
<Example define the input level for VoLTE / VoNR>

Gain Value	dBm0	Full scal Voltage	dB	AMMI audio out dBv (RMS)	AMCC Coil Out (dBv (RMS))
	3.14	1.5		0.51	
100	5.61		40	2.98	3.13
8.31	-16		18.39		-18.48
Signal Type	Duration (s)	Peak to RMS (dB)	RMS (dB)	Gain Factor	Gain Setting
1kHz sine	-	3	0	1	8.31
48k_voice_1kHz	1	16.2	-12.7	4.33	35.98
48k_voice_300-3000	2	21.6	-18.6	8.48	70.46

<Example define the input level for VoWiFi>

Gain Value	dBm0	Full scal Voltage	dB	AMMI audio out dBv (RMS)	AMCC Coil Out (dBv (RMS))
	3.14	1.5		0.51	
100	5.61		40	2.98	3.13
5.24	-20		14.39		-22.48
Signal Type	Duration (s)	Peak to RMS (dB)	RMS (dB)	Gain Factor	Gain Setting
1kHz sine	-	3	0	1	5.24
48k_voice_1kHz	1	16.2	-12.7	4.33	22.70
48k_voice_300-3000	2	21.6	-18.6	8.48	44.46

7.3 Test Setup Diagram for OTT Voice Calling



General Note:

1. Define the all applicable input audio level as below according to C63 and KDB 285076 D02v03:
 - OTT Voice calling input Level: -20dBm0
2. OTT voice, such as that enabled when a user opts to communicate in a voice-only mode using the Google Meet application, is a methodology and group of technologies for the delivery of voice communications and multimedia sessions over the internet. The terms Internet telephony, broadband telephony, and broadband phone service specifically refer to the provisioning of communications services (voice, fax, SMS, voice-messaging) over the public Internet, rather than via the public switched telephone network (PSTN).
3. Google Meet application support code and bitrate are listed in section 11, and the customized Google Meet software is installed on a mobile phone that is used as the Auxiliary for the test. The software enables the audio coding rate to be changed, and reports the input digital audio level before audio processing, which can be used to calibrate the input audio level.
4. This device comes with the preinstalled OTT application that supports the voice-only communication option on the Google Meet application and related codec. The test configuration establishes a call between the device under test and an auxiliary handset via Google Meet server.
5. The test setup used for Google Meet OTT voice-only communication is via the data application unit on the simulate base station, connected to the internet via the Google Meet server to the auxiliary device. The auxiliary device runs special software that allows the codecs and bit rate to be fixed to a specific value. Please refer to section 11. An assessment was made of each of the different codec bit rates to determine the worst case for each different OTT transport (WiFi, LTE, GSM, WCDMA, NR).
6. The auxiliary device includes software that displays the audio level in dBFS, which allows calibration of the system to establish the -20dBm0 reference level. After establishing the voice-only communication between auxiliary device and device under test, the audio output from the AMMI is injected into the auxiliary device. The gain factor to establish a reference level of -20dBm0 for use during the test is determined as detailed in the next page based on the 0dBFull Scale (0dBFS) value being equivalent to 3.14dBm0.

<Define the input level for OTT Voice Calling>

1. The Required gain factor for the specific signal shall typically be multiplied by this factor to achieve approx. the same level as for the 1kHz sine signal
2. The below calculation formula is an example and showing how to determine the input level for the device.
3. Input a gain value to readout the -23dBFS level as reference. (0dBFS = 3.14 dBm0)
4. Adjust gain level until to readout the dBFS level until it changes to -24dBFS.
5. Based on the step 1 and 2, and then calculate the gain value(dB) by interpolation to get the -20dBm0 corresponding gain value.

The predefined signal types have the following differences / factors compared to the 1kHz sine signal:

Signal [file name]	Duration [s]	Peak-to-RMS [dB]	RMS [dB]	Required gain factor *)	Gain setting
1kHz sine	---	3.0	0.0	1.00	
48k_1.025kHz_10s.wav	10	3.0	0.0	1.00	
48k_1kHz_3.15kHz_10s.wav	10	6.0	-3.0	1.42	
48k_315Hz_1kHz_10s.wav	10	6.0	-2.9	1.40	
48k_csek_8k_441_white_10s.wav	10	13.8	-10.5	3.34	
48k_multisine_50-5000_10s.wav	10	11.1	-7.9	2.49	
48k_voice_1kHz_1s.wav	1	16.2	-12.7	4.33	
48k_voice_300-3000_2s.wav	2	21.6	-18.6	8.48	

(*) The gain for the specific signal shall typically be multiplied by this factor to achieve approx. the same level as for the 1kHz sine signal.

Insert the gain applicable for your setup in the last column of the table.

Step	Signal type	Audio out		Target Level	
		Gain value	Gain value (dB)	dBFS	dBm0
Step 1	1KHz Sine	7.7	17.73 (Ref.)	-23	
Step 2	1KHz Sine	6.8	16.65	-24	
Step 3	1KHz Sine	7.57**	17.58*	-23.14	-20
Remark	(*) Based on the step 1 and 2 and then via interpolation to get this value. (**) Gain value=10^Gain value(dB)/20				
Signal type	Duration (s)	Peak to RMS (dB)	RMS (dB)	Gain Factor	Gain value
1kHz sine		3	0	1	7.57
48k_voice_1kHz_1s.wav	1	16.2	-12.7	4.33	32.77
48k_voice_300-3000_2s.wav	2	21.6	-18.6	8.48	64.79
1. According to the gain setting for 1kHz sine wave, determine the gain setting for signals above.					
2. The gain for the specific signal is multiplied by this factor to achieve the same level as for the 1kHz sine signal.					



8. Test Equipment List

Manufacturer	Name of Equipment	Type/Model	Serial Number	Calibration	
				Last Cal.	Due Date
SPEAG	Audio Magnetic 1D Field Probe	AM1DV3	3104	Mar. 16, 2023	Mar. 15, 2024
SPEAG	Data Acquisition Electronics	DAE3	577	Sep. 21, 2022	Sep. 20, 2023
SPEAG	Audio Magnetic Calibration Coil	AMCC	1049	NCR	NCR
SPEAG	Audio Measuring Instrument	AMMI	1041	NCR	NCR
Testo	Hygro meter	608-H1	45196600	Nov. 02, 2022	Nov. 01, 2023
R&S	Wideband Radio Communication Tester	CMU200	112403	Sep. 15, 2022	Sep. 14, 2023
R&S	Wideband Radio Communication Tester	CMW500	169351	Oct. 18, 2022	Oct. 17, 2023
R&S	Wideband Radio Communication Tester	CMX500	101931	Jul. 21, 2022	Jul. 20, 2023
SPEAG	Test Arch Phantom	N/A	N/A	NCR	NCR
SPEAG	Phone Positioner	N/A	N/A	NCR	NCR

Note:

- 1. NCR: "No-Calibration Required"



9. T-Coil testing for CMRS Voice

General Note:

1. Codec Investigation: For a voice service/air interface, investigate the variations of codec configurations (WB, NB bit rate) and document the parameters (ABM1, ABM2, S+N/N, frequency response) for that voice service. It is only necessary to document this for one channel/band, the following worst investigation codec would be remarked to be used for the testing for the handset.
2. Air Interface Investigation:
 - a. Use the worst-case codec test and document a limited set of bands/channel/bandwidths. Observe the effect of changing the band and bandwidth to ensure that there are no unexpected variations. Using the knowledge of the observed variations, it is necessary to report only a set band/channel/bandwidth for each orientation for a voice service/air interface.
 - b. According to the ANSI C63.19 2011 section 7.3.2, test middle channel of each frequency band for HAC testing for each orientation to determine worst HAC T-Coil rating.

9.1 GSM Tests Results

<Codec Investigation>

Codec	AMR NB FR	AMR WB FR	GSM EFR (FR V2)	Orientation	Band / Channel
ABM 1 (dBA/m)	4.1	5.43	4.4	Axial	GSM850 / 189
ABM 2 (dBA/m)	-36.24	-36.43	-36.32		
Signal Quality (dB)	40.34	41.86	40.72		
Freq. Response	PASS	PASS	PASS		

<Air Interface Investigation>

Plot No.	Air Interface	Modulation / Mode	Channel	Probe Position	ABM1 dB (A/m)	ABM2 dB (A/m)	Signal Quality dB	T Rating	Ambient Noise dB (A/m)	Freq. Response Variation dB	Frequency Response
1	GSM850	Voice	189	Axial (Z)	4.10	-36.24	40.34	T4	-50.33	2	PASS
				Transversal (Y)	-7.74	-48.50	40.76	T4	-50.29		
2	GSM1900	Voice	661	Axial (Z)	4.95	-40.42	45.37	T4	-50.31	2	PASS
				Transversal (Y)	-6.06	-49.34	43.28	T4	-50.24		



9.2UMTS Tests Results

<Codec Investigation>

Codec	NB AMR 4.75Kbps	WB AMR 6.60Kbps	NB AMR 12.2Kbps	WB AMR 23.85Kbps	Orientation	Band / BW / Channel
ABM 1 (dBA/m)	4.49	4.92	4.81	6.06	Axial	B5 / 4182
ABM 2 (dBA/m)	-45.9	-46.07	-45.98	-45.96		
Signal Quality (dB)	50.39	50.99	50.79	52.02		
Freq. Response	PASS	PASS	PASS	PASS		

<Air Interface Investigation>

Plot No.	Air Interface	Modulation / Mode	Channel	Probe Position	ABM1 dB (A/m)	ABM2 dB (A/m)	Signal Quality dB	T Rating	Ambient Noise dB (A/m)	Freq. Response Variation dB	Frequency Response
3	WCDMA II	Voice	9400	Axial (Z)	5.17	-45.04	50.21	T4	-50.46	2	PASS
				Transversal (Y)	-4.34	-51.68	47.34	T4	-50.33		
4	WCDMA IV	Voice	1413	Axial (Z)	5.13	-45.87	51.00	T4	-50.49	2	PASS
				Transversal (Y)	-4.39	-51.18	46.79	T4	-50.37		
5	WCDMA V	Voice	4182	Axial (Z)	4.49	-45.90	50.39	T4	-50.53	1.39	PASS
				Transversal (Y)	-4.39	-50.90	46.51	T4	-50.48		



10. T-Coil testing for CMRS IP Voice

10.1 VoLTE Tests Results

General Note:

1. Codec Investigation: For a voice service/air interface, investigate the variations of codec configurations (WB, NB bit rate) and document the parameters (ABM1, ABM2, S+N/N, frequency response) for that voice service. It is only necessary to document this for one channel / band, the following worst investigation codec would be remarked to be used for the testing for the handset.
2. Air Interface Investigation:
 - a. Use the worst-case codec test and document a limited set of bands / channel / bandwidths. Observe the effect of changing the band and bandwidth to ensure that there are no unexpected variations. Using the knowledge of the observed variations, it is necessary to report only a set band/channel/bandwidth for each orientation for a voice service/air interface and the following worst configuration would be remarked to be used for the testing for the handset.
 - b. Select LTE FDD / TDD one frequency band to do measurement at the worst SNR position was additionally performed with varying the BWs/Modulations/RB size to verify the variation to find out worst configuration , the observed variation is very little to be within 1.5 dB which is much less than the margin from the rating threshold.
 - c. The TDD LTE power class 3 supports uplink-downlink configuration 0 and 6 and power class 2 supports uplink-downlink configuration1 to 5 for this device, an investigation was performed to determine the worst-case uplink-downlink configuration to be used for the testing for the handset.
 - d. According to the ANSI C63.19 2011 section 7.3.2, test middle channel of each frequency band for HAC testing for each orientation to determine worst HAC T-Coil rating.

<Codec Investigation>

LTE FDD

Codec	NB AMR 4.75Kbps	WB AMR 6.60Kbps	NB AMR 12.2Kbps	WB AMR 23.85Kbps	EVS SWB 9.6Kbps	EVS SWB 24.4Kbps	EVS WB 5.9Kbps	EVS WB 24.4Kbps	EVS NB 5.9Kbps	EVS NB 24.4Kbps	Orientation	Band / BW / Channel
ABM 1 (dBA/m)	4.97	5.69	5.32	6.64	7.57	7.28	1.74	7.09	1.13	6.06	Axial	B25 / 20M / 26340
ABM 2 (dBA/m)	-45.7	-46.11	-45.98	-45.77	-45.77	-45.93	-46.02	-45.84	-45.62	-45.61		
Signal Quality (dB)	50.67	51.8	51.3	52.41	53.34	53.21	47.76	52.93	46.75	51.67		
Freq. Response	PASS	PASS	PASS	PASS	PASS	PASS	PASS	PASS	PASS	PASS		

LTE TDD

Codec	NB AMR 4.75Kbps	WB AMR 6.60Kbps	NB AMR 12.2Kbps	WB AMR 23.85Kbps	EVS SWB 9.6Kbps	EVS SWB 24.4Kbps	EVS WB 5.9Kbps	EVS WB 24.4Kbps	EVS NB 5.9Kbps	EVS NB 24.4Kbps	Orientation	Band / BW / Channel
ABM 1 (dBA/m)	5.12	5.28	5.16	6.54	7.04	7.09	0.64	7.05	-3.31	5.46	Axial	B41 / 20M / 40620
ABM 2 (dBA/m)	-42.77	-42.41	-42.47	-42.41	-42.28	-42.12	-42.39	-42.58	-41.5	-42.32		
Signal Quality (dB)	47.89	47.69	47.63	48.95	49.32	49.21	43.03	49.63	38.19	47.78		
Freq. Response	PASS	PASS	PASS	PASS	PASS	PASS	PASS	PASS	PASS	PASS		



<Air Interface Investigation>

Air Interface	BW (MHz)	Modulation / Mode	RB Size	RB offset	Channel	UL-DL Configuration	ABM1 dB (A/m)	ABM2 dB (A/m)	Signal Quality dB	
FDD	LTE B25	20	QPSK	1	0	26340	-	2.55	-45.38	47.93
	LTE B25	20	QPSK	50	0	26340	-	3.53	-45.07	48.60
	LTE B25	20	QPSK	100	0	26340	-	3.06	-45.12	48.18
	LTE B25	20	16QAM	1	0	26340	-	2.65	-46.56	49.21
	LTE B25	20	64QAM	1	0	26340	-	3.82	-44.58	48.40
	LTE B25	15	QPSK	1	0	26340	-	2.96	-46.11	49.07
	LTE B25	10	QPSK	1	0	26340	-	3.53	-45.50	49.03
	LTE B25	5	QPSK	1	0	26340	-	3.61	-45.02	48.63
	LTE B25	3	QPSK	1	0	26340	-	3.11	-45.60	48.71
	LTE B25	1.4	QPSK	1	0	26340	-	3.22	-45.18	48.40
TDD	LTE B41_PC3	20	QPSK	1	0	40620	0	2.93	-45.66	48.59
	LTE B41_PC3	20	QPSK	1	0	40620	6	3.47	-44.91	48.38
	LTE B41_PC2	20	QPSK	1	0	40620	1	3.27	-45.46	48.73
	LTE B41_PC2	20	QPSK	1	0	40620	2	3.20	-45.77	48.97
	LTE B41_PC2	20	QPSK	1	0	40620	3	3.59	-44.56	48.15
	LTE B41_PC2	20	QPSK	1	0	40620	4	2.62	-46.51	49.13
	LTE B41_PC2	20	QPSK	1	0	40620	5	3.71	-45.33	49.04

Plot No.	Air Interface	BW (MHz)	Modulation / Mode	RB Size	RB offset	Channel	Probe Position	ABM1 dB (A/m)	ABM2 dB (A/m)	Signal Quality dB	T Rating	Ambient Noise dB (A/m)	Freq. Response Variation dB	Frequency Response
6	LTE Band 7	20M	QPSK	1	0	21100	Axial (Z)	2.25	-45.46	47.71	T4	-50.19	1.77	PASS
							Transversal (Y)	-6.67	-50.99	44.32	T4	-50.09		
7	LTE Band 12	10M	QPSK	1	0	23095	Axial (Z)	2.64	-46.06	48.70	T4	-50.39	1.63	PASS
							Transversal (Y)	-6.53	-50.02	43.49	T4	-50.26		
8	LTE Band 13	10M	QPSK	1	0	23230	Axial (Z)	4.45	-45.78	50.23	T4	-50.30	1.78	PASS
							Transversal (Y)	-5.29	-48.72	43.43	T4	-50.23		
9	LTE Band 14	10M	QPSK	1	0	23330	Axial (Z)	1.10	-46.12	47.22	T4	-50.30	1.65	PASS
							Transversal (Y)	-7.51	-51.23	43.72	T4	-50.21		
10	LTE Band 25	20M	QPSK	1	0	26340	Axial (Z)	1.13	-45.62	46.75	T4	-50.38	2	PASS
							Transversal (Y)	-9.24	-51.62	42.38	T4	-50.31		
11	LTE Band 26	15M	QPSK	1	0	26865	Axial (Z)	1.47	-45.88	47.35	T4	-50.35	1.82	PASS
							Transversal (Y)	-6.63	-49.52	42.89	T4	-50.27		
12	LTE Band 30	10M	QPSK	1	0	27710	Axial (Z)	-0.41	-46.53	46.12	T4	-50.43	1.9	PASS
							Transversal (Y)	-9.40	-51.38	41.98	T4	-50.34		
13	LTE Band 41	20M	QPSK	1	0	40620	Axial (Z)	-3.31	-41.50	38.19	T4	-50.39	2	PASS
							Transversal (Y)	-10.63	-46.88	36.25	T4	-50.36		
14	LTE Band 48	20M	QPSK	1	0	55830	Axial (Z)	4.31	-44.91	49.22	T4	-50.19	1.47	PASS
							Transversal (Y)	-8.71	-50.95	42.24	T4	-50.11		
15	LTE Band 66	20M	QPSK	1	0	132322	Axial (Z)	2.37	-45.76	48.13	T4	-50.32	1.61	PASS
							Transversal (Y)	-7.20	-50.57	43.37	T4	-50.30		
16	LTE Band 71	20M	QPSK	1	0	133297	Axial (Z)	3.81	-45.55	49.36	T4	-50.43	1.68	PASS
							Transversal (Y)	-6.99	-50.45	43.46	T4	-50.29		



10.2 VoNR evaluation

General Note:

1. **Codec Investigation:** For a voice service/air interface, investigate the variations of codec configurations (WB, NB bit rate) and document the parameters (ABM1, ABM2, S+N/N, frequency response) for that voice service. It is only necessary to document this for one channel / band, the following worst investigation codec would be remarked to be used for the testing for the handset.
2. **Air Interface Investigation:**
 - e. Use the worst-case codec test and document a limited set of bands / channel / bandwidths. Observe the effect of changing the band and bandwidth to ensure that there are no unexpected variations. Using the knowledge of the observed variations, it is necessary to report only a set band/channel/bandwidth for each orientation for a voice service/air interface and the following worst configure would be remarked to be used for the testing for the handset.
 - f. Select NR FDD / TDD one frequency band to do measurement at the worst SNR position was additionally performed with varying the BWs/Modulations/RB size to verify the variation to find out worst configuration , the observed variation is very little to be within 1.5 dB which is much less than the margin from the rating threshold.
 - g. According to the ANSI C63.19 2011 section 7.3.2, test middle channel of each frequency band for HAC testing for each orientation to determine worst HAC T-Coil rating.

<Codec Investigation>

5G NR FDD

Codec	NB AMR 4.75Kbps	WB AMR 6.60Kbps	NB AMR 12.2Kbps	WB AMR 23.85Kbps	EVS SWB 9.6Kbps	EVS SWB 24.4Kbps	EVS WB 5.9Kbps	EVS WB 24.4Kbps	EVS NB 5.9Kbps	EVS NB 24.4Kbps	Orientation	Band / BW / Channel
ABM 1 (dBA/m)	5.01	5.77	5.03	6.36	6.63	6.49	6.46	6.49	6.58	6.57	Axial	n7 / 50M / 507000
ABM 2 (dBA/m)	-44.53	-44.25	-44.37	-44.51	-44.43	-43.86	-44.35	-43.52	-44.25	-44.17		
Signal Quality (dB)	49.54	50.02	49.4	50.87	51.06	50.35	50.81	50.01	50.83	50.74		
Freq. Response	PASS	PASS	PASS	PASS	PASS	PASS	PASS	PASS	PASS	PASS		

5G NR TDD

Codec	NB AMR 4.75Kbps	WB AMR 6.60Kbps	NB AMR 12.2Kbps	WB AMR 23.85Kbps	EVS SWB 9.6Kbps	EVS SWB 24.4Kbps	EVS WB 5.9Kbps	EVS WB 24.4Kbps	EVS NB 5.9Kbps	EVS NB 24.4Kbps	Orientation	Band / BW / Channel
ABM 1 (dBA/m)	4.77	5.92	5.2	6.42	7.06	7.25	2.73	7.52	-0.3	6.06	Axial	n77 / 100M / 656000
ABM 2 (dBA/m)	-44.17	-43.94	-43.84	-43.75	-43.92	-43.82	-43.54	-43.86	-44.02	-43.77		
Signal Quality (dB)	48.94	49.86	49.04	50.17	50.98	51.07	46.27	51.38	43.72	49.83		
Freq. Response	PASS	PASS	PASS	PASS	PASS	PASS	PASS	PASS	PASS	PASS		



<Air Interface Investigation>

Air Interface	BW (MHz)	Modulation / Mode	RB Size	RB offset	Channel	ABM1 dB (A/m)	ABM2 dB (A/m)	Signal Quality dB	
FDD	5G NR n7	50	DFT-PI/2 BPSK	1	1	507000	4.72	-44.84	49.56
	5G NR n7	50	DFT-PI/2 BPSK	135	0	507000	5.35	-45.21	50.56
	5G NR n7	50	DFT-PI/2 BPSK	270	0	507000	5.16	-44.54	49.70
	5G NR n7	50	DFT-QPSK	1	1	507000	5.65	-44.70	50.35
	5G NR n7	50	DFT-16QAM	1	1	507000	5.48	-44.27	49.75
	5G NR n7	50	DFT-64QAM	1	1	507000	5.58	-44.36	49.94
	5G NR n7	50	DFT-256QAM	1	1	507000	5.41	-44.36	49.77
	5G NR n7	40	DFT-Pi-BPSK	1	1	507000	5.22	-44.54	49.76
	5G NR n7	30	DFT-Pi-BPSK	1	1	507000	5.66	-44.58	50.24
	5G NR n7	25	DFT-Pi-BPSK	1	1	507000	5.26	-44.32	49.58
	5G NR n7	20	DFT-Pi-BPSK	1	1	507000	5.31	-44.61	49.92
	5G NR n7	15	DFT-Pi-BPSK	1	1	507000	5.34	-44.48	49.82
	5G NR n7	10	DFT-Pi-BPSK	1	1	507000	5.43	-44.57	50.00
	5G NR n7	5	DFT-Pi-BPSK	1	1	507000	5.19	-44.51	49.70
	5G NR n7	50	CP-QPSK	1	1	507000	5.42	-44.77	50.19
TDD	5G NR n77	100	DFT-PI/2 BPSK	1	1	656000	0.15	-43.71	43.86
	5G NR n77	100	DFT-PI/2 BPSK	135	0	656000	0.54	-44.30	44.84
	5G NR n77	100	DFT-PI/2 BPSK	270	0	656000	0.86	-43.73	44.59
	5G NR n77_PC2	100	DFT-PI/2 BPSK	1	1	656000	0.55	-43.64	44.19
	5G NR n41_PC2(ULMIMO)	100	DFT-PI/2 BPSK	1	1	518598	-0.36	-44.58	44.22
	5G NR n77	100	DFT-QPSK	1	1	656000	0.89	-43.65	44.54
	5G NR n77	100	DFT-16QAM	1	1	656000	0.80	-43.71	44.51
	5G NR n77	100	DFT-64QAM	1	1	656000	0.65	-43.48	44.13
	5G NR n77	100	DFT-256QAM	1	1	656000	0.41	-43.90	44.31
	5G NR n77	90	DFT-PI/2 BPSK	1	1	656000	0.72	-43.91	44.63
	5G NR n77	80	DFT-PI/2 BPSK	1	1	656000	0.91	-43.56	44.47
	5G NR n77	70	DFT-PI/2 BPSK	1	1	656000	0.77	-43.64	44.41
	5G NR n77	60	DFT-PI/2 BPSK	1	1	656000	0.61	-43.63	44.24
	5G NR n77	50	DFT-PI/2 BPSK	1	1	656000	0.57	-43.94	44.51
	5G NR n77	40	DFT-PI/2 BPSK	1	1	656000	0.65	-43.93	44.58
	5G NR n77	30	DFT-PI/2 BPSK	1	1	656000	0.73	-43.84	44.57
	5G NR n77	25	DFT-PI/2 BPSK	1	1	656000	0.59	-43.77	44.36
	5G NR n77	20	DFT-PI/2 BPSK	1	1	656000	0.87	-43.86	44.73
	5G NR n77	15	DFT-PI/2 BPSK	1	1	656000	0.92	-43.45	44.37
5G NR n77	10	DFT-PI/2 BPSK	1	1	656000	1.19	-43.68	44.87	
5G NR n77	100	CP-QPSK	1	1	656000	0.74	-43.41	44.15	



Plot No.	Air Interface	BW (MHz)	Modulation / Mode	RB Size	RB offset	Channel	Probe Position	ABM1 dB (A/m)	ABM2 dB (A/m)	Signal Quality dB	T Rating	Ambient Noise dB (A/m)	Freq. Response Variation dB	Frequency Response
17	FR1 n7	50M	DFT-PI/2 BPSK	1	1	507000	Axial (Z)	4.95	-44.47	49.42	T4	-50.09	2	PASS
							Transversal (Y)	-3.95	-50.31	46.36	T4	-50.33		
18	FR1 n12	15M	DFT-PI/2 BPSK	1	1	141500	Axial (Z)	5.69	-44.08	49.77	T4	-50.43	2	PASS
							Transversal (Y)	-3.98	-50.25	46.27	T4	-50.34		
19	FR1 n25	40M	DFT-PI/2 BPSK	1	1	376500	Axial (Z)	5.03	-44.37	49.40	T4	-50.45	2	PASS
							Transversal (Y)	-4.66	-50.51	45.85	T4	-50.39		
20	FR1 n26	20M	DFT-PI/2 BPSK	1	1	166300	Axial (Z)	5.39	-44.38	49.77	T4	-50.21	2	PASS
							Transversal (Y)	-4.38	-50.82	46.44	T4	-50.20		
21	FR1 n30	10M	DFT-PI/2 BPSK	1	1	462000	Axial (Z)	5.50	-43.76	49.26	T4	-50.15	2	PASS
							Transversal (Y)	-4.81	-50.53	45.72	T4	-50.23		
22	FR1 n41	100M	DFT-PI/2 BPSK	1	1	518598	Axial (Z)	-0.30	-44.02	43.72	T4	-50.22	2	PASS
							Transversal (Y)	-9.20	-49.91	40.71	T4	-50.14		
23	FR1 n66	40M	DFT-PI/2 BPSK	1	1	349000	Axial (Z)	5.62	-43.73	49.35	T4	-50.21	2	PASS
							Transversal (Y)	-4.47	-50.02	45.55	T4	-50.43		
24	FR1 n71	20M	DFT-PI/2 BPSK	1	1	136100	Axial (Z)	5.58	-43.81	49.39	T4	-50.28	2	PASS
							Transversal (Y)	-3.29	-49.78	46.49	T4	-50.33		
25	FR1 n77	100M	DFT-PI/2 BPSK	1	1	656000	Axial (Z)	1.29	-43.65	44.94	T4	-50.38	1.69	PASS
							Transversal (Y)	-5.33	-47.44	42.11	T4	-50.36		



10.3VoWiFi Tests Results

General Note:

1. Codec Investigation: For a voice service/air interface, investigate the variations of codec configurations (WB, NB bit rate) and document the parameters (ABM1, ABM2, S+N/N, frequency response) for that voice service. It is only necessary to document this for one channel/band, the following worst investigation codec would be remarked to be used for the testing for the handset.
2. Air Interface Investigation:
 - a. Use the worst-case codec test and document a limited set of bands/channel/bandwidths. Observe the effect of changing the band and bandwidth to ensure that there are no unexpected variations. Using the knowledge of the observed variations, it is necessary to report only a set band/channel/bandwidth for each orientation for a voice service/air interface and the following worst configure would be remarked to be used for the testing for the handset.
 - b. Select 2.4GHz, 5GHz one frequency band to do measurement at the worst SNR position was additionally performed with varying the BWs/Modulations/data rate to verify the variation to find out worst configuration , the observed variation is very little to be within 1 dB which is much less than the margin from the rating threshold.
 - c. According to the ANSI C63.19 2011 section 7.3.2, test middle channel of each frequency band for HAC testing for each orientation to determine worst HAC T-Coil rating.
 - d. The air interface investigation for 802.11be was performed according to KDB 285076 D03 Q&A9.
 - Step1. For 802.11ax, establish the ABM1802.11be value by using the ABM1802.11ax magnetic intensity for an WiFi call in the same band as the 802.11be band under test as the ABM1802.11ax value.
 - Step2. Establish an ABM2802.11be value, using a manufacture test mode for the same band under test
 - Step3. Establish the S+N1/N2 for the rating
 - i. S+N1 = ABM1802.11ax (step 1) and
 - ii. N2 = ABM2802.11be (step 2).
 - iii. Subtract 3 dB from S+N1/N2
 Rating based on (ABM1802.11ax/ ABM2802.11be) -3dB.

<Codec Investigation>

Codec	NB AMR 4.75Kbps	WB AMR 6.60Kbps	NB AMR 12.2Kbps	WB AMR 23.85Kbps	EVS SWB 9.6Kbps	EVS SWB 24.4Kbps	EVS WB 5.9Kbps	EVS WB 24.4Kbps	EVS NB 5.9Kbps	EVS NB 24.4Kbps	Orientation	Band / Channel
ABM 1 (dBA/m)	-0.94	-0.25	-0.8	0.67	0.82	2.21	-2.58	3.92	-4.87	1.77	Axial	2.4GHz WLAN / 6
ABM 2 (dBA/m)	-42.76	-43.14	-42.82	-42.53	-44.12	-42.63	-42.42	-42.96	-42.92	-45.31		
Signal Quality (dB)	41.82	42.89	42.02	43.2	44.94	44.84	39.84	46.88	38.05	47.08		
Freq. Response	PASS	PASS	PASS	PASS	PASS	PASS	PASS	PASS	PASS	PASS		



<Air Interface Investigation>

Frequency Bands	Modulation	Bandwidth	Data Rate	Channel	(1) ABM1 dB (A/m)	(2) ABM2 dB (A/m)	Signal Quality dB	(3) Signal Quality -3 dB	
WLAN 2.4GHz	802.11b	20	1M	6	-3.24	-41.46	38.22		
	802.11b	20	11M	6	-2.11	-40.86	38.75		
	802.11g	20	6M	6	-2.72	-41.57	38.85		
	802.11g	20	54M	6	-2.61	-41.25	38.64		
	802.11n-HT20	20	MCS0	6	-2.88	-41.36	38.48		
	802.11n-HT20	20	MCS7	6	-3.06	-41.75	38.69		
	802.11ac-VHT20	20	MCS0	6	-2.69	-41.36	38.67		
	802.11ac-VHT20	20	MCS8	6	-2.93	-42.14	39.21		
	802.11ax-HE20	20	MCS0	6	-2.83	-42.31	39.48		
	802.11ax-HE20	20	MCS11	6	-2.88	-41.83	38.95		
	802.11be-EHT20	20	MCS0	6	-2.83	-44.62		38.79	
	802.11be-EHT20	20	MCS11	6	-2.88	-44.88		39.00	
WLAN 5G/6GHz	802.11a	20	6M	40	-0.25	-42.84	42.59		
	802.11a	20	54M	40	0.41	-43.00	43.41		
	802.11an-HT20	20	MCS0	40	0.88	-41.91	42.79		
	802.11an-HT20	20	MCS7	40	-0.13	-43.25	43.12		
	802.11an-HT40	40	MCS0	38	0.09	-43.10	43.19		
	802.11an-HT40	40	MCS7	38	0.30	-42.54	42.84		
	802.11ac-VHT20	20	MCS0	40	-0.10	-43.38	43.28		
	802.11ac-VHT20	20	MCS8	40	0.36	-43.29	43.65		
	802.11ac-VHT40	40	MCS0	38	0.66	-42.49	43.15		
	802.11ac-VHT40	40	MCS8	38	0.13	-43.74	43.87		
	802.11ac-VHT80	80	MCS0	58	1.03	-41.79	42.82		
	802.11ac-VHT80	80	MCS8	58	-0.21	-43.14	42.93		
	802.11ac-VHT160	160	MCS0	50	-0.06	-43.30	43.24		
	802.11ac-VHT160	160	MCS8	50	0.31	-42.65	42.96		
	802.11ax-HE20	20	MCS0	40	0.06	-43.27	43.33		
	802.11ax-HE20	20	MCS11	40	0.39	-43.03	43.42		
	802.11ax-HE40	40	MCS0	38	0.54	-42.98	43.52		
	802.11ax-HE40	40	MCS11	38	0.67	-42.71	43.38		
	802.11ax-HE80	80	MCS0	58	0.44	-43.12	43.56		
	802.11ax-HE80	80	MCS11	58	0.69	-43.08	43.77		
	802.11ax-HE160	160	MCS0	50	0.78	-43.08	43.86		
	802.11ax-HE160	160	MCS11	50	0.89	-42.34	43.23		
		802.11be-EHT20	20	MCS0	40	0.06	-46.32		43.38
		802.11be-EHT20	20	MCS11	40	0.39	-46.14		43.53
		802.11be-EHT40	40	MCS0	38	0.54	-45.86		43.40
		802.11be-EHT40	40	MCS11	38	0.67	-45.42		43.09
		802.11be-EHT80	80	MCS0	58	0.44	-46.10		43.54
		802.11be-EHT80	80	MCS11	58	0.69	-45.92		43.61
	802.11be-EHT160	160	MCS0	50	0.78	-46.34		44.12	
	802.11be-EHT160	160	MCS11	50	0.89	-46.16		44.05	



Plot No.	Air Interface	Modulation / Mode	Channel	Probe Position	ABM1 dB (A/m)	ABM2 dB (A/m)	Signal Quality dB	T Rating	Ambient Noise dB (A/m)	Freq. Response Variation dB	Frequency Response
26	WLAN2.4GHz	802.11b 1Mbps	6	Axial (Z)	-4.87	-42.92	38.05	T4	-50.26	1.46	PASS
				Transversal (Y)	-14.34	-52.07	37.73	T4	-50.21		
27	WLAN5GHz	802.11a 6Mbps	40	Axial (Z)	-1.84	-44.15	42.31	T4	-50.25	1.7	PASS
				Transversal (Y)	-15.36	-45.57	30.21	T4	-50.16		
28	WLAN5GHz	802.11a 6Mbps	60	Axial (Z)	-2.10	-43.21	41.11	T4	-50.23	2	PASS
				Transversal (Y)	-16.83	-47.35	30.52	T4	-50.17		
29	WLAN5GHz	802.11a 6Mbps	116	Axial (Z)	-2.61	-43.47	40.86	T4	-50.25	2	PASS
				Transversal (Y)	-14.02	-48.92	34.90	T4	-50.20		
30	WLAN5GHz	802.11a 6Mbps	157	Axial (Z)	-3.03	-43.61	40.58	T4	-50.28	2	PASS
				Transversal (Y)	-12.09	-48.87	36.78	T4	-50.17		
31	WLAN5GHz	802.11a 6Mbps	173	Axial (Z)	0.39	-41.98	42.37	T4	-50.34	1.26	PASS
				Transversal (Y)	-11.66	-47.49	35.83	T4	-50.27		
32	WLAN6GHz	802.11a 6Mbps	5	Axial (Z)	0.92	-41.81	42.73	T4	-50.24	1.06	PASS
				Transversal (Y)	-9.09	-44.81	35.72	T4	-50.13		



11. T-Coil testing for OTT Voice Calling

General Notes:

1. According to the ANSI C63.19 2011 section 7.3.2, test middle channel of each frequency band for HAC testing for each orientation to determine worst HAC T-Coil rating.
2. The device supported a pre-installed application, Google Meet, whose features allow the option of voice-only communications. According to KDB 285076 D02, all air interfaces via a data connection with an application providing voice functionality need to be considered for HAC testing.
3. Google Meet only support OPUS audio codec and support 6Kbps to 75Kbps bitrate.
4. The test setup used for OTT Voice call is the DUT connect to the CMW500/CMX500 and via the data application unit on CMW500/CMX500 connection to the Internet, the Auxiliary EUT is connected to the WiFi access point, the channel/Modulation/Frequency bands/data rate is configured on the CMW500/CMX500 for the DUT unit. For the Auxiliary OTT unit which is used to configure the audio codec rate and determine the audio input level of -20dBm0 based on the KDB 285076 D02 requirement.
5. Codec Investigation: For a voice service/air interface, investigate the variations of codec configurations (WB, NB bit rate) and document the parameters (ABM1, ABM2, S+N/N, frequency response) for that voice service. It is only necessary to document this for one channel/band, the following tests results which the worst case codec would be remarked to be used for the testing for the handset.
6. Air Interface Investigation:
 - a. Use the worst-case codec test and document a limited set of bands/channel/bandwidths. Observe the effect of changing the band and bandwidth to ensure that there are no unexpected variations. Using the knowledge of the observed variations, it is necessary to report only a set band/channel/bandwidth for each orientation for a voice service/air interface.
 - b. OTT service and CMRS IP service are established over the internet protocol for the voice service, and on both services the identical RF air interface is used for LTE, WIFI and NR. Therefore, according to VoLTE, VoWiFi and VoNR test results from the air interface investigation, the worst configuration and frequency band of the air interface is used for OTT T-Coil testing.
 - LTE FDD worst configuration and band: LTE Band 30/10MHz/QPSK/1RB Size
 - LTE TDD worst configuration and band: LTE Band 41/20MHz/QPSK/1RB Size
 - NR FDD worst configuration and band: NR n66/40MHz/DFT-PI/2 BPSK/1RB Size
 - NR TDD worst configuration and band: NR n41/100MHz/DFT-PI/2 BPSK/1RB Size
 - WLAN DTS worst configuration: 802.11b/1Mbps
 - WLAN NII worst configuration and Band: WLAN 5.2GHz/11a/6Mbps

<Codec Investigation>

EDGE

Codec	Opus 6kbps	Opus 40kbps	Opus 75kbps	Orientation	Band / Channel
ABM 1 (dBA/m)	-4.6	-3.34	-3.18	Axial	GSM850 / 189
ABM 2 (dBA/m)	-43.15	-42.59	-43.04		
Signal Quality (dB)	38.55	39.25	39.86		
Freq. Response	PASS	PASS	PASS		



HSPA

Codec	Opus 6kbps	Opus 40kbps	Opus 75kbps	Orientation	Band / Channel
ABM 1 (dBA/m)	6.72	7.25	7.16	Axial	UMTS B5 / 4182
ABM 2 (dBA/m)	-43.39	-43.51	-43.82		
Signal Quality (dB)	50.11	50.76	50.98		
Freq. Response	PASS	PASS	PASS		

LTE FDD

Codec	Opus 6kbps	Opus 40kbps	Opus 75kbps	Orientation	Band / Channel
ABM 1 (dBA/m)	5.84	7.58	7.47	Axial	B30 / 10M / 27710
ABM 2 (dBA/m)	-43.7	-43.69	-43.56		
Signal Quality (dB)	49.54	51.27	51.03		
Freq. Response	PASS	PASS	PASS		

LTE TDD

Codec	Opus 6kbps	Opus 40kbps	Opus 75kbps	Orientation	Band / Channel
ABM 1 (dBA/m)	6.52	7.34	7.33	Axial	B41 / 20M / 40620
ABM 2 (dBA/m)	-40.97	-41.08	-41.24		
Signal Quality (dB)	47.49	48.42	48.57		
Freq. Response	PASS	PASS	PASS		



WLAN

Codec	Opus 6kbps	Opus 40kbps	Opus 75kbps	Orientation	Band / Channel
ABM 1 (dBA/m)	3.92	7.5	7.47	Axial	WLAN2.4G / 6
ABM 2 (dBA/m)	-46.34	-45.17	-43.14		
Signal Quality (dB)	50.26	52.67	50.61		
Freq. Response	PASS	PASS	PASS		

5G NR FDD

Codec	Opus 6kbps	Opus 40kbps	Opus 75kbps	Orientation	Band / Channel
ABM 1 (dBA/m)	7.31	7.31	7.29	Axial	n66 / 40M / 349000
ABM 2 (dBA/m)	-43.56	-42.93	-43.5		
Signal Quality (dB)	50.87	50.24	50.79		
Freq. Response	PASS	PASS	PASS		

5G NR TDD

Codec	Opus 6kbps	Opus 40kbps	Opus 75kbps	Orientation	Band / Channel
ABM 1 (dBA/m)	7.37	7.49	7.51	Axial	n41 / 100M / 518598
ABM 2 (dBA/m)	-41.6	-42.26	-42.15		
Signal Quality (dB)	48.97	49.75	49.66		
Freq. Response	PASS	PASS	PASS		



Plot No.	Air Interface	Modulation / Mode	Channel	Probe Position	ABM1 dB (A/m)	ABM2 dB (A/m)	Signal Quality dB	T Rating	Ambient Noise dB (A/m)	Freq. Response Variation dB	Frequency Response
33	GSM850	EDGE 2 Tx slots	189	Axial (Z)	-4.60	-43.15	38.55	T4	-50.32	1.82	PASS
				Transversal (Y)	-14.74	-49.67	34.93	T4	-50.26		
34	GSM1900	EDGE 2 Tx slots	661	Axial (Z)	-8.46	-41.40	32.94	T4	-50.41	1.06	PASS
				Transversal (Y)	-14.29	-48.01	33.72	T4	-50.21		
35	WCDMA II	HSPA	9400	Axial (Z)	6.35	-44.20	50.55	T4	-50.23	2	PASS
				Transversal (Y)	-2.53	-50.40	47.87	T4	-50.10		
36	WCDMA IV	HSPA	1413	Axial (Z)	7.77	-43.11	50.88	T4	-50.08	1.94	PASS
				Transversal (Y)	-0.50	-49.66	49.16	T4	-50.17		
37	WCDMA V	HSPA	4182	Axial (Z)	6.72	-43.39	50.11	T4	-50.23	1.91	PASS
				Transversal (Y)	-1.88	-48.97	47.09	T4	-50.40		
38	LTE Band 30	10M_QPSK_1_0	27710	Axial (Z)	7.32	-43.49	50.81	T4	-50.26	1.69	PASS
				Transversal (Y)	-1.72	-49.20	47.48	T4	-50.28		
39	LTE Band 41	20M_QPSK_1_0	40620	Axial (Z)	6.52	-40.97	47.49	T4	-50.12	1.24	PASS
				Transversal (Y)	-5.00	-47.69	42.69	T4	-50.13		
40	FR1 n66	40M_DFT-PI/2 BPSK_1_1	349000	Axial (Z)	7.31	-42.93	50.24	T4	-50.11	2	PASS
				Transversal (Y)	-2.05	-49.69	47.64	T4	-50.09		
41	FR1 n41	100M_DFT-PI/2 BPSK_1_1	518598	Axial (Z)	7.37	-41.60	48.97	T4	-50.30	1.42	PASS
				Transversal (Y)	-2.19	-47.98	45.79	T4	-50.11		
42	WLAN2.4GHz	802.11b 1Mbps	6	Axial (Z)	3.92	-46.34	50.26	T4	-50.23	0.89	PASS
				Transversal (Y)	-3.49	-46.59	43.10	T4	-50.24		
43	WLAN5GHz	802.11a 6Mbps	40	Axial (Z)	4.94	-43.66	48.60	T4	-50.18	2	PASS
				Transversal (Y)	-3.28	-41.19	37.91	T4	-50.11		

Remark:

1. Phone Condition: Mute on; Backlight off; Max Volume
2. Hearing Aid mode (Phone -> Setting ->Accessibility->Hearing aids) was set to on for improving the audio signal performance for HAC T-Coil compliance.
3. The detail frequency response results please refer to appendix A.
4. Test Engineer : White Huang, Henry Chou and Charles Shen



12. Uncertainty Assessment

The evaluation of uncertainty by the statistical analysis of a series of observations is termed a Type A evaluation of uncertainty. The evaluation of uncertainty by means other than the statistical analysis of a series of observation is termed a Type B evaluation of uncertainty. Each component of uncertainty, however evaluated, is represented by an estimated standard deviation, termed standard uncertainty, which is determined by the positive square root of the estimated variance. The combined standard uncertainty of the measurement result represents the estimated standard deviation of the result. It is obtained by combining the individual standard uncertainties of both Type A and Type B evaluation using the usual “root-sum-squares” (RSS) methods of combining standard deviations by taking the positive square root of the estimated variances. Expanded uncertainty is a measure of uncertainty that defines an interval about the measurement result within which the measured value is confidently believed to lie. It is obtained by multiplying the combined standard uncertainty by a coverage factor. For purpose of this document, a coverage factor two is used, which corresponds to confidence interval of about 95 %. The DASY uncertainty Budget is showed in Table 8.2.

The judgment of conformity in the report is based on the measurement results excluding the measurement uncertainty.

Error Description	Uncertainty Value (±%)	Probability Distribution	Divisor	Ci (ABM1)	Ci (ABM2)	Standard Uncertainty (ABM1)	Standard Uncertainty (ABM2)
Probe Sensitivity							
Reference Level	3.0	Normal	1	1	1	± 3.0 %	± 3.0 %
AMCC Geometry	0.4	Rectangular	√3	1	1	± 0.2 %	± 0.2 %
AMCC Current	1.0	Rectangular	√3	1	1	± 0.6 %	± 0.6 %
Probe Positioning During Calibrate	0.1	Rectangular	√3	1	1	± 0.1 %	± 0.1 %
Noise Contribution	0.7	Rectangular	√3	0.0143	1	± 0.0 %	± 0.4 %
Frequency Slope	5.9	Rectangular	√3	0.1	1	± 0.3 %	± 3.5 %
Probe System							
Repeatability / Drift	1.0	Rectangular	√3	1	1	± 0.6 %	± 0.6 %
Linearity / Dynamic Range	0.6	Rectangular	√3	1	1	± 0.4 %	± 0.4 %
Acoustic Noise	1.0	Rectangular	√3	0.1	1	± 0.1 %	± 0.6 %
Probe Angle	2.3	Rectangular	√3	1	1	± 1.4 %	± 1.4 %
Spectral Processing	0.9	Rectangular	√3	1	1	± 0.5 %	± 0.5 %
Integration Time	0.6	Normal	1	1	5	± 0.6 %	± 3.0 %
Field Disturbation	0.2	Rectangular	√3	1	1	± 0.1 %	± 0.1 %
Test Signal							
Reference Signal Spectral Response	0.6	Rectangular	√3	0	1	± 0.0 %	± 0.4 %
Positioning							
Probe Positioning	1.9	Rectangular	√3	1	1	± 1.1 %	± 1.1 %
Phantom Thickness	0.9	Rectangular	√3	1	1	± 0.5 %	± 0.5 %
EUT Positioning	1.9	Rectangular	√3	1	1	± 1.1 %	± 1.1 %
External Contributions							
RF Interference	0.0	Rectangular	√3	1	0.3	± 0.0 %	± 0.0 %
Test Signal Variation	2.0	Rectangular	√3	1	1	± 1.2 %	± 1.2 %
Combined Standard Uncertainty						± 4.1 %	± 6.1 %
Coverage Factor for 95 %						K = 2	
Expanded Uncertainty						± 8.1 %	± 12.3 %
Declaration of Conformity: The test results with all measurement uncertainty excluded are presented in accordance with the regulation limits or requirements declared by manufacturers.							
Comments and Explanations: The declared of product specification for EUT presented in the report are provided by the manufacturer, and the manufacturer takes all the responsibilities for the accuracy of product specification.							

Uncertainty Budget of audio band magnetic measurement



13. References

- [1] ANSI C63.19-2011, "American National Standard for Methods of Measurement of Compatibility between Wireless Communications Devices and Hearing Aids", 27 May 2011.
- [2] FCC KDB 285076 D01v06r03, "Equipment Authorization Guidance for Hearing Aid Compatibility", Apr. 2023.
- [3] FCC KDB 285076 D02v04, "Guidance for performing T-Coil tests for air interfaces supporting voice over IP (e.g., LTE and WiFi) to support CMRS based telephone services", Feb 2022
- [4] FCC KDB 285076 D03v01r06, "Hearing aid compatibility frequently asked questions", Jul. 2022
- [5] SPEAG DASY System Handbook