



FCC RADIO TEST REPORT

FCC ID : A4RGKWS6
Equipment : Phone
Model Name : GKWS6
Applicant : Google LLC
1600 Amphitheatre Parkway,
Mountain View, California, 94043 USA
Standard : FCC 47 CFR Part 2, 27

The product was received on Feb. 06, 2023 and testing was performed from Feb. 06, 2023 to Jun. 08, 2023. We, Sporton International Inc. EMC & Wireless Communications Laboratory, would like to declare that the tested sample has been evaluated in accordance with the test procedures given in ANSI / TIA-603-E and has been in compliance with the applicable technical standards.

The test results in this report apply exclusively to the tested model / sample. Without written approval from Sporton International Inc. EMC & Wireless Communications Laboratory, the test report shall not be reproduced except in full.

Louis Wu

Approved by: Louis Wu

Sporton International Inc. EMC & Wireless Communications Laboratory

No. 52, Huaya 1st Rd., Guishan Dist., Taoyuan City 333, Taiwan (R.O.C.)



Table of Contents

History of this test report..... 3

Summary of Test Result..... 4

1 General Description 5

 1.1 Product Feature of Equipment Under Test..... 5

 1.2 Product Specification of Equipment Under Test..... 6

 1.3 Modification of EUT 7

 1.4 Testing Location 8

 1.5 Applicable Standards..... 8

2 Test Configuration of Equipment Under Test 9

 2.1 Test Mode..... 9

 2.2 Connection Diagram of Test System..... 10

 2.3 Support Unit used in test configuration and system 12

 2.4 Measurement Results Explanation Example..... 12

 2.5 Frequency List of Low/Middle/High Channels 13

3 Conducted Test Items..... 15

 3.1 Measuring Instruments 15

 3.2 Conducted Output Power and EIRP..... 16

 3.3 Peak-to-Average Ratio 18

 3.4 Occupied Bandwidth..... 19

 3.5 Conducted Band Edge 20

 3.6 Conducted Spurious Emission 21

 3.7 Frequency Stability 22

4 Radiated Test Items 23

 4.1 Measuring Instruments 23

 4.2 Radiated Spurious Emission Measurement 25

5 List of Measuring Equipment..... 26

6 Measurement Uncertainty 27

Appendix A. Test Results of Conducted Test

Appendix B. Test Results of Radiated Test

Appendix C. Test Setup Photographs



Summary of Test Result

Report Clause	Ref Std. Clause	Test Items	Result (PASS/FAIL)	Remark
3.2	§2.1046	Conducted Output Power	Reporting only	-
	§27.50 (k)(3)	Equivalent Isotropic Radiated Power (n77) (n78)	Pass	
3.3	§27.50 (k)(4)	Peak-to-Average Ratio	Pass	-
3.4	§2.1049	Occupied Bandwidth	Reporting only	-
3.5	§2.1051 §27.53 (n)(2)	Conducted Band Edge Measurement (n77) (n78)	Pass	-
3.6	§2.1051 §27.53 (n)(2)	Conducted Spurious Emission (n77) (n78)	Pass	-
3.7	§2.1055 §27.54	Frequency Stability Temperature & Voltage	Pass	-
4.2	§2.1053 §27.53 (n)(2)	Radiated Spurious Emission (n77) (n78)	Pass	29.68 dB under limit at 10473.000 MHz for Primary Antenna 27.28 dB under limit at 10594.000 MHz for ASDIV Antenna

Conformity Assessment Condition:

- The test results (PASS/FAIL) with all measurement uncertainty excluded are presented against the regulation limits or in accordance with the requirements stipulated by the applicant/manufacturer who shall bear all the risks of non-compliance that may potentially occur if measurement uncertainty is taken into account.
- The measurement uncertainty please refer to each test result in the section "Measurement Uncertainty".

Disclaimer:

The product specifications of the EUT presented in the test report that may affect the test assessments are declared by the manufacturer who shall take full responsibility for the authenticity.

Reviewed by: William Chen

Report Producer: Michelle Chen



1 General Description

1.1 Product Feature of Equipment Under Test

Product Feature	
Equipment	Phone
Model Name	GKWS6
FCC ID	A4RGKWS6
EUT supports Radios application	GSM/EGPRS/WCDMA/HSPA/LTE/5G NR/NFC/GNSS/WPT WLAN 11b/g/n HT20 WLAN 11a/n HT20/HT40 WLAN 11ac VHT20/VHT40/VHT80/VHT160 WLAN 11ax HE20/HE40/HE80/HE160 WLAN 11be EHT20/EHT40/EHT80/EHT160 Bluetooth BR/EDR/LE/HR

Remark: The above EUT's information was declared by manufacturer.

EUT Information List	
S/N	Performed Test Item
33251FDJH0003B	Conducted Measurement EIRP
33131FDJH0007T	Radiated Spurious Emission



1.2 Product Specification of Equipment Under Test

Product Specification subjective to this standard	
Tx Frequency	5G NR n77: 3455.01 MHz ~ 3544.98 MHz 5G NR n78: 3455.01 MHz ~ 3544.98 MHz
Rx Frequency	5G NR n77: 3455.01 MHz ~ 3544.98 MHz 5G NR n78: 3455.01 MHz ~ 3544.98 MHz
Bandwidth	5G NR n77: 10MHz / 15MHz / 20MHz / 25MHz / 30MHz / 40MHz / 50MHz / 60MHz / 70MHz / 80MHz / 90MHz / 100MHz 5G NR n78: 10MHz / 15MHz / 20MHz / 25MHz / 30MHz / 40MHz / 50MHz / 60MHz / 70MHz / 80MHz / 90MHz / 100MHz
Maximum Output Power to Antenna	<p><Primary Antenna>: 5G NR n77: 27.53 dBm 5G NR n78: 26.48 dBm</p> <p><ASDIV Antenna>: 5G NR n77: 26.35 dBm 5G NR n78: 25.76 dBm</p> <p><MIMO Mode>: MIMO <Ant. 6+1>: 5G NR n77: 28.76 dBm 5G NR n78: 24.90 dBm MIMO <Ant. 7+5>: 5G NR n77: 27.13 dBm 5G NR n78: 24.82 dBm MIMO <Ant. 6+5>: 5G NR n77: 27.37 dBm 5G NR n78: 24.95 dBm MIMO <Ant. 7+1>: 5G NR n77: 27.19 dBm 5G NR n78: 24.59 dBm</p> <p><TxD Mode>: MIMO <Ant. 6+1>: 5G NR n77: 28.73 dBm MIMO <Ant. 7+5>: 5G NR n77: 26.81 dBm MIMO <Ant. 6+5>: 5G NR n77: 27.01 dBm MIMO <Ant. 7+1>: 5G NR n77: 28.41 dBm</p>
Antenna Type	<p><Primary Antenna>: <Ant. 6>: PIFA Antenna</p> <p><ASDIV Antenna>: <Ant. 7>: IFA Antenna</p> <p><SRS diversity Antenna>: <Ant. 1>: IFA Antenna <Ant. 5>: Loop Antenna</p>
Type of Modulation	PI/2 BPSK / QPSK / 16QAM / 64QAM / 256QAM

**<Primary Antenna>**

Radio Tech	Band Number	Antenna name	Gain
5G NR	n77	ANT6	-1.1
5G NR	n78	ANT6	-1.1

<ASDIV Antenna>

Radio Tech	Band Number	Antenna name	Gain
5G NR	n77	ANT7	-0.8
5G NR	n78	ANT7	-0.8

<SRS diversity Antenna>

Radio Tech	Band Number	Antenna name	Gain
5G NR	n77	ANT1	-5.9
5G NR	n78	ANT1	-5.9
5G NR	n77	ANT5	-0.1
5G NR	n78	ANT5	-0.1

Remark: The above EUT's information was declared by manufacturer. Please refer to Disclaimer in report summary.

1.3 Modification of EUT

No modifications are made to the EUT during all test items.



1.4 Testing Location

Test Site	Sporton International Inc. EMC & Wireless Communications Laboratory
Test Site Location	No.52, Huaya 1st Rd., Guishan Dist., Taoyuan City 333, Taiwan (R.O.C.) TEL: +886-3-327-3456 FAX: +886-3-328-4978
Test Site No.	Sporton Site No.
	TH03-HY
Test Engineer	Sherry Wu
Temperature (°C)	20~24
Relative Humidity (%)	42~58

Test Site	Sporton International Inc. Wensan Laboratory.
Test Site Location	No.58, Aly. 75, Ln. 564, Wenhua 3rd, Rd., Guishan Dist., Taoyuan City 333010, Taiwan (R.O.C.) TEL: +886-3-327-0868 FAX: +886-3-327-0855
Test Site No.	Sporton Site No.
	03CH21-HY (TAF Code: 3786)
Test Engineer	Jack Cheng and Karl Hou
Temperature (°C)	18~26
Relative Humidity (%)	50~70
Remark	The Radiated Spurious Emission test item subcontracted to Sporton International Inc. Wensan Laboratory.

Note: The test site complies with ANSI C63.4 2014 requirement.

FCC Designation No.: TW1190 and TW3786

1.5 Applicable Standards

According to the specifications of the manufacturer, the EUT must comply with the requirements of the following standards:

- ♦ ANSI C63.26-2015
- ♦ ANSI / TIA-603-E
- ♦ FCC 47 CFR Part 2, 27
- ♦ FCC KDB 971168 D01 Power Meas. License Digital Systems v03r01
- ♦ FCC KDB 412172 D01 Determining ERP and EIRP v01r01
- ♦ FCC KDB 414788 D01 Radiated Test Site v01r01.
- ♦ FCC KDB 662911 D01 Multiple Transmitter Output v02r01.

Remark:

1. All test items were verified and recorded according to the standards and without any deviation during the test.
2. The TAF code is not including all the FCC KDB listed without accreditation.



2 Test Configuration of Equipment Under Test

2.1 Test Mode

Antenna port conducted and radiated test items listed below are performed according to KDB 971168 D01 Power Meas. License Digital Systems v03r01 with maximum output power.

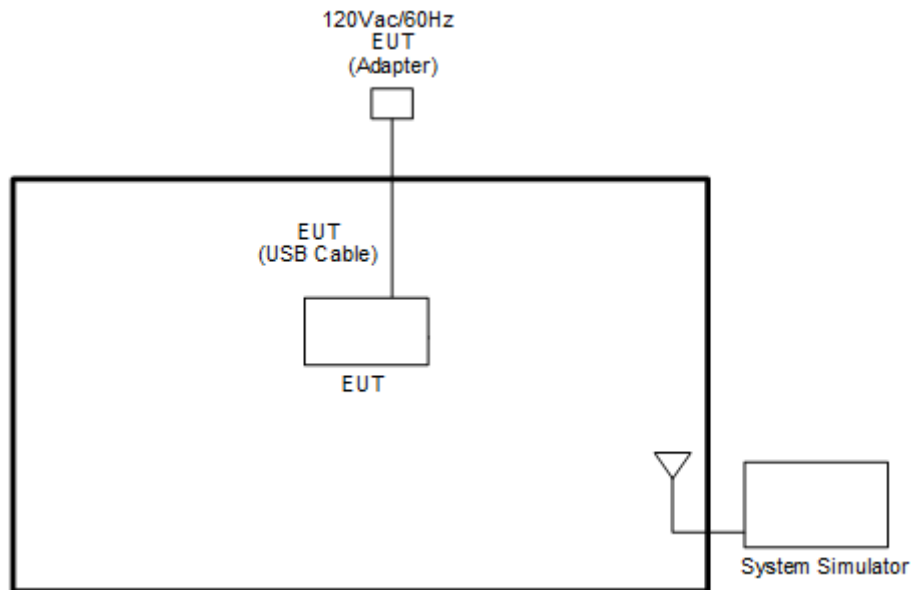
For radiated measurement, the measured emission level of the EUT was maximized by rotating the EUT on a turntable, adjusting the orientation of the EUT and EUT antenna in three orthogonal axis (X: flat, Y: portrait, Z: landscape), and accessory (Adapter or Earphone) and adjusting the measurement antenna orientation, following C63.26 exploratory test procedures and only the worst case emissions were reported in this report.

Test Items	NR Band	Bandwidth (MHz)												Modulation				RB #			Test Channel							
		10	15	20	25	30	40	50	60	70	80	90	100	PI/2 BPSK	QPSK	16QAM	64QAM	256QAM	1	Half	Full	L	M	H				
Max. Output Power	n77	v	v	v	v	v	v	v	v	v	v	v	v	v	v	v	v	v	v	v	v	v	v	v	v	v	v	
	n78	v	v	v	v	v	v	v	v	v	v	v	v	v	v	v	v	v	v	v	v	v	v	v	v	v	v	v
Peak-to-Average Ratio	n77			v										v	v	v	v	v			v		v					
	n78	Covered by n77																										
26dB and 99% Bandwidth	n77	v	v	v	v	v	v	v	v	v	v	v	v	v	v	v	v	v	v			v		v				
	n78	Covered by n77																										
Conducted Band Edge	n77	v	v	v	v	v	v	v	v	v	v	v	v	v	v	v	v	v	v	v			v	v				v
	n78	Covered by n77																										
Conducted Spurious Emission	n77	v														v					v				v	v	v	
	n78	Covered by n77																										
Frequency Stability	n77			v										v	v							v			v			
	n78	Covered by n77																										

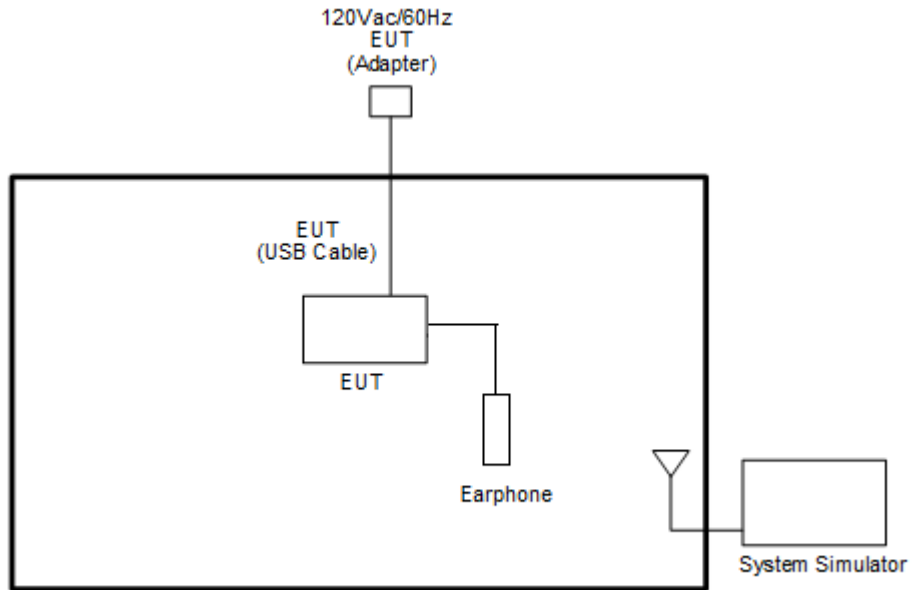
Test Items	NR Band	Bandwidth (MHz)												Modulation				RB #			Test Channel			
		10	15	20	25	30	40	50	60	70	80	90	100	PI/2 BPSK	QPSK	16QAM	64QAM	256QAM	1	Half	Full	L	M	H
E.I.R.P	n77	v	v	v	v	v	v	v	v	v	v	v	v	v	v	v	v	v	Max. Power					
	n78	v	v	v	v	v	v	v	v	v	v	v	v	v	v	v	v	v						
Radiated Spurious Emission	n77	Worst Case																	v	v	v			
	n78	Covered by n77																						
Remark	<ol style="list-style-type: none"> The mark "v" means that this configuration is chosen for testing The mark "-" means that this bandwidth is not supported. The device is investigated from 30MHz to 10 times of fundamental signal for radiated spurious emission test under different RB size/offset and modulations in exploratory test. Subsequently, only the worst case emissions are reported. For radiated measurement, pre-scanned in two modes, DFT-s OFDM and CP OFDM. The worst cases (DFT-s OFDM) were recorded in this report, and the worst modes of FR1 and LTE for simultaneous transmission were verified and compliant. Test combination is EN-DC 7A-n77A. All the radiated test cases were performed with Adapter 1 and USB Cable 1. During the preliminary test, both charging modes (Adapter mode and WPT mode) were verified. It is determined that the adaptor mode is the worst case for official test. Wider operating range bandwidth covers narrower one when the power is higher or the same. One representative bandwidth is selected to perform PAR and Frequency Stability. The n77 and n78 support total 4 UL MIMO combinations: Ant6+Ant1, Ant6+Ant5, Ant7+Ant1, Ant7+Ant5 and the worst case combination is determined during the preliminary test that Ant6+Ant1 is reported as worst case with Ant7+Ant5 RSE check data. 																							

2.2 Connection Diagram of Test System

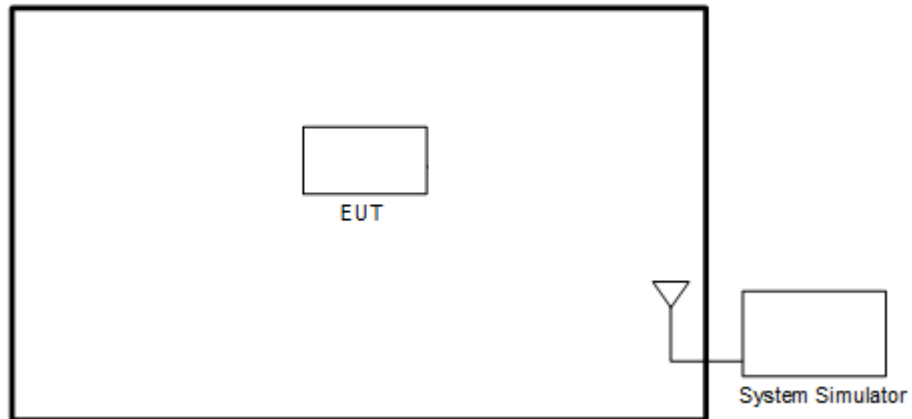
<EUT with Adapter>



<EUT with Earphone>



<EUT without Accessory>





2.3 Support Unit used in test configuration and system

Item	Equipment	Brand Name	Model No.	FCC ID	Data Cable	Power Cord
1.	System Simulator	Anritsu	MT8000A	N/A	N/A	Unshielded, 1.8 m
2.	System Simulator	Anritsu	MT8821C	N/A	N/A	Unshielded, 1.8 m
3.	Earphone	Google	G019A	N/A	N/A	N/A

2.4 Measurement Results Explanation Example

For all conducted test items:

The offset level is set in the spectrum analyzer to compensate the RF cable loss and attenuator factor between EUT conducted output port and spectrum analyzer. With the offset compensation, the spectrum analyzer reading level is exactly the EUT RF output level.

The spectrum analyzer offset is derived from RF cable loss and attenuator factor.

Offset = RF cable loss + attenuator factor.

Following shows an offset computation example with cable loss 4.2 dB and 10dB attenuator.

Example :

Offset(dB) = RF cable loss(dB) + attenuator factor(dB).

$$= 4.2 + 10 = 14.2 \text{ (dB)}$$



2.5 Frequency List of Low/Middle/High Channels

5G NR Band n77 Channel and Frequency List				
BW [MHz]	Channel/Frequency(MHz)	Lowest	Middle	Highest
100	Channel	-	633334	-
	Frequency	-	3500.01	-
90	Channel	633000	633334	633666
	Frequency	3495	3500.01	3504.99
80	Channel	632668	633334	634000
	Frequency	3490.02	3500.01	3510
70	Channel	632334	633334	634332
	Frequency	3485.01	3500.01	3514.98
60	Channel	632000	633334	634666
	Frequency	3480	3500.01	3519.99
50	Channel	631668	633334	635000
	Frequency	3475.02	3500.01	3525
40	Channel	631334	633334	635332
	Frequency	3470.01	3500.01	3529.98
30	Channel	631000	633334	635666
	Frequency	3465	3500.01	3534.99
25	Channel	647500	656000	664500
	Frequency	3712.5	3840	3967.5
20	Channel	630668	633334	636000
	Frequency	3460.02	3500.01	3540
15	Channel	630500	633334	636166
	Frequency	3457.5	3500.01	3542.49
10	Channel	630334	633334	636332
	Frequency	3455.01	3500.01	3544.98



5G NR n78 Channel and Frequency List				
BW [MHz]	Channel/Frequency(MHz)	Lowest	Middle	Highest
100	Channel	-	633334	-
	Frequency	-	3500.01	-
90	Channel	633000	633334	633666
	Frequency	3495	3500.01	3504.99
80	Channel	632668	633334	634000
	Frequency	3490.02	3500.01	3510
70	Channel	632334	633334	634332
	Frequency	3485.01	3500.01	3514.98
60	Channel	632000	633334	634666
	Frequency	3480	3500.01	3519.99
50	Channel	631668	633334	635000
	Frequency	3475.02	3500.01	3525
40	Channel	631334	633334	635332
	Frequency	3470.01	3500.01	3529.98
30	Channel	631000	633334	635666
	Frequency	3465	3500.01	3534.99
25	Channel	630834	633334	635832
	Frequency	3462.51	3500.01	3537.48
20	Channel	630668	633334	636000
	Frequency	3460.02	3500.01	3540
15	Channel	630500	633334	636166
	Frequency	3457.5	3500.01	3542.49
10	Channel	630334	633334	636332
	Frequency	3455.01	3500.01	3544.98

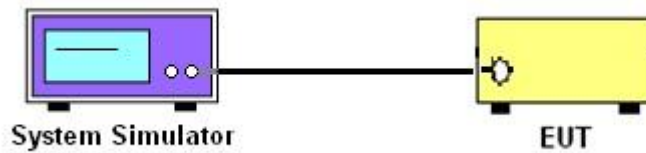
3 Conducted Test Items

3.1 Measuring Instruments

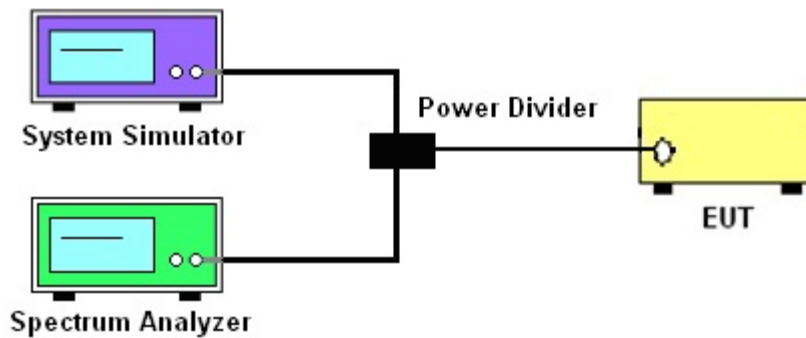
See list of measuring instruments of this test report.

3.1.1 Test Setup

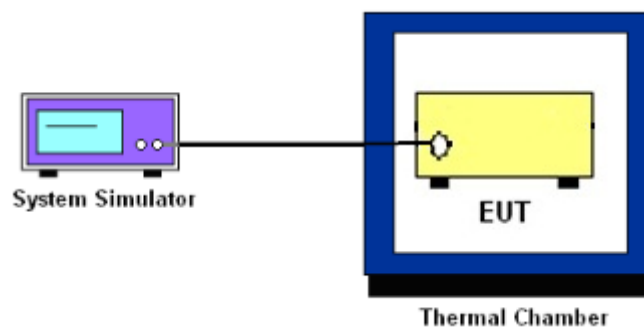
3.1.2 Conducted Output Power



3.1.3 Peak-to-Average Ratio, Occupied Bandwidth ,Conducted Band-Edge and Conducted Spurious Emission



3.1.4 Frequency Stability



3.1.5 Test Result of Conducted Test

Please refer to Appendix A.



3.2 Conducted Output Power and EIRP

3.2.1 Description of the Conducted Output Power Measurement and EIRP Measurement

A system simulator was used to establish communication with the EUT. Its parameters were set to force the EUT transmitting at maximum output power. The measured power in the radio frequency on the transmitter output terminals shall be reported.

The EIRP of mobile transmitters must not exceed 1 Watts for 5G NR n77 and n78

According to KDB 412172 D01 Power Approach,

$EIRP = P_T + G_T - L_C$, $ERP = EIRP - 2.15$, where

P_T = transmitter output power in dBm

G_T = gain of the transmitting antenna in dBi

L_C = signal attenuation in the connecting cable between the transmitter and antenna in dB



Remark:

1. For MIMO mode, the directional gain calculation is following F)2)d) of KDB 662911 D01 v02r01.

d) Unequal antenna gains, with equal transmit powers. For antenna gains given by G₁, G₂, ..., G_N dBi

(i) If transmit signals are correlated, then

Directional gain = 10 log[(10^{G₁/20} + 10^{G₂/20} + ... + 10^{G_N/20})² / N_{ANT}] dBi [Note the "20"s in the denominator of each exponent and the square of the sum of terms; the object is to combine the signal levels coherently.]

(ii) If all transmit signals are completely uncorrelated, then

Directional gain = 10 log[(10^{G₁/10} + 10^{G₂/10} + ... + 10^{G_N/10}) / N_{ANT}] dBi

					TxD Mode	MIMO Mode
					Correlated	Uncorrelated
5G NR	Ant 6	Ant 1	Ant 7	Ant 5	NSS = 1	NSS = 2
n77/n78	(dBi)	(dBi)	(dBi)	(dBi)	(dBi)	(dBi)
Ant. 6 + 1	-1.10	-5.90	-0.80	-0.10	-0.16	-2.86
Ant. 7 + 5	-1.10	-5.90	-0.80	-0.10	2.57	-0.43
Ant. 6 + 5	-1.10	-5.90	-0.80	-0.10	2.43	-0.57
Ant. 7 + 1	-1.10	-5.90	-0.80	-0.10	0.03	-2.64

Directional gain for Ant. 6+1 correlated of TxD mode derived from formula which is

$$10 \times \log \left\{ \left[10^{(-1.1 \text{ dBi} / 20)} + 10^{(-5.9 \text{ dBi} / 20)} \right]^2 / 2 \right\}$$

= -0.16 dBi

Directional gain for Ant. 6+1 uncorrelated of MIMO mode derived from formula which is

$$10 \times \log \left\{ \left[10^{(-1.1 \text{ dBi} / 10)} + 10^{(-5.9 \text{ dBi} / 10)} \right] / 2 \right\}$$

= -2.86 dB

3.2.2 Test Procedures

1. The transmitter output port was connected to the system simulator.
2. Set EUT at maximum power through the system simulator.
3. Select lowest, middle, and highest channels for each band and different modulation.
4. Measure and record the power level from the system simulator.



3.3 Peak-to-Average Ratio

3.3.1 Description of the PAR Measurement

Power Complementary Cumulative Distribution Function (CCDF) curves provide a means for characterizing the power peaks of a digitally modulated signal on a statistical basis. A CCDF curve depicts the probability of the peak signal amplitude exceeding the average power level. Most contemporary measurement instrumentation include the capability to produce CCDF curves for an input signal provided that the instrument's resolution bandwidth can be set wide enough to accommodate the entire input signal bandwidth. In measuring transmissions in this band using an average power technique, the peak-to-average ratio (PAR) of the transmission may not exceed 13 dB.

3.3.2 Test Procedures

The testing follows ANSI C63.26-2015 Section 5.2.6

1. The EUT was connected to spectrum and system simulator via a power divider.
2. Set the CCDF (Complementary Cumulative Distribution Function) option in spectrum analyzer.
3. The highest RF powers were measured and recorded the maximum PAPR level associated with a probability of 0.1 %.
4. Record the deviation as Peak to Average Ratio.



3.4 Occupied Bandwidth

3.4.1 Description of Occupied Bandwidth Measurement

The occupied bandwidth is the width of a frequency band such that, below the lower and above the upper frequency limits, the mean powers emitted are each equal to a specified percentage 0.5% of the total mean transmitted power.

The 26 dB emission bandwidth is defined as the frequency range between two points, one above and one below the carrier frequency, at which the spectral density of the emission is attenuated 26 dB below the maximum in-band spectral density of the modulated signal. Spectral density (power per unit bandwidth) is to be measured with a detector of resolution bandwidth equal to approximately 1.0% of the emission bandwidth.

3.4.2 Test Procedures

The testing follows ANSI C63.26-2015 Section 5.4.3 (26dB) and Section 5.4.4 (99OB)

1. The EUT was connected to spectrum analyzer and system simulator via a power divider.
2. The spectrum analyzer center frequency is set to the nominal EUT channel center frequency. The span range for the spectrum analyzer shall be between two and five times the anticipated OBW.
3. The nominal resolution bandwidth (RBW) shall be in the range of 1 to 5 % of the anticipated OBW, and the VBW shall be at least 3 times the RBW.
4. Set the detection mode to peak, and the trace mode to max hold.
5. Determine the reference value: Set the EUT to transmit a modulated signal. Allow the trace to stabilize. Set the spectrum analyzer marker to the highest level of the displayed trace.
(this is the reference value)
6. Determine the “-26 dB down amplitude” as equal to (Reference Value – X).
7. Place two markers, one at the lowest and the other at the highest frequency of the envelope of the spectral display such that each marker is at or slightly below the “-X dB down amplitude” determined in step 6. If a marker is below this “-X dB down amplitude” value it shall be placed as close as possible to this value. The OBW is the positive frequency difference between the two markers.
8. Use the 99 % power bandwidth function of the spectrum analyzer and report the measured bandwidth.



3.5 Conducted Band Edge

3.5.1 Description of Conducted Band Edge Measurement

27.53 (n)(2)

(2) For mobile operations in the 3450-3550 MHz band, the conducted power of any emission outside the licensee's authorized bandwidth shall not exceed -13 dBm/MHz. Compliance with this paragraph (n)(2) is based on the use of measurement instrumentation employing a resolution bandwidth of 1 megahertz or greater. However, in the 1 megahertz bands immediately outside and adjacent to the licensee's frequency block, a resolution bandwidth of at least one percent of the emission bandwidth of the fundamental emission of the transmitter may be employed, but limited to a maximum of 200 kHz. In the bands between 1 and 5 MHz removed from the licensee's frequency block, the minimum resolution bandwidth for the measurement shall be 500 kHz. The emission bandwidth is defined as the width of the signal between two points, one below the carrier center frequency and one above the carrier center frequency, outside of which all emissions are attenuated at least 26 dB below the transmitter power.

3.5.2 Test Procedures

The testing follows FCC KDB 971168 D01 v03r01 Section 6.1.

1. The EUT was connected to spectrum analyzer and system simulator via a power divider.
2. The band edges of low and high channels for the highest RF powers were measured.
3. For $EBW < 20\text{MHz}$, set $RBW \geq 1\%$ EBW in the 1MHz band immediately outside and adjacent to the band edge.
4. For $EBW \geq 20\text{MHz}$, set $RBW = 200\text{kHz}$ in the 1MHz band immediately outside and adjacent to the band edge.
5. Between 1 ~5 MHz from the band edge, $RBW=500$ kHz was used.
6. Set spectrum analyzer with RMS detector.
7. The RF fundamental frequency should be excluded against the limit line in the operating frequency band.
8. Checked that all the results comply with the emission limit line.
The limit line is derived from $43 + 10\log(P)\text{dB}$ below the transmitter power $P(\text{Watts})$
9. For MIMO mode, add additional MIMO factor $10\log(\text{NTX}=2) = 3.01\text{dB}$ into the spectrum analyzer offset.



3.6 Conducted Spurious Emission

3.6.1 Description of Conducted Spurious Emission Measurement

The power of any emission outside of the authorized operating frequency ranges must be lower than the transmitter power (P) by a factor of at least $43 + 10 \log (P)$ dB.

It is measured by means of a calibrated spectrum analyzer and scanned from 30 MHz up to a frequency including its 10th harmonic.

3.6.2 Test Procedures

The testing follows FCC KDB 971168 D01 v03r01 Section 6.1.

1. The EUT was connected to spectrum analyzer and system simulator via a power divider.
2. The RF output of EUT was connected to the spectrum analyzer by RF cable and attenuator. The path loss was compensated to the results for each measurement.
3. The middle channel for the highest RF power within the transmitting frequency was measured.
4. The conducted spurious emission for the whole frequency range was taken.
5. Make the measurement with the spectrum analyzer's RBW = 1MHz, VBW = 3MHz.
6. Set spectrum analyzer with RMS detector.
7. Taking the record of maximum spurious emission.
8. The RF fundamental frequency should be excluded against the limit line in the operating frequency band.
9. The limit line is derived from $43 + 10\log(P)$ dB below the transmitter power P(Watts)
10. For MIMO mode, add additional MIMO factor $10\log(NTX=2) = 3.01$ dB into the spectrum analyzer offset.



3.7 Frequency Stability

3.7.1 Description of Frequency Stability Measurement

27.54

The frequency stability shall be sufficient to ensure that the fundamental emission stays within the authorized frequency block.

3.7.2 Test Procedures for Temperature Variation

The testing follows FCC KDB 971168 D01 v03r01 Section 9.0.

1. The EUT was set up in the thermal chamber and connected with the system simulator.
2. With power OFF, the temperature was decreased to -30°C and the EUT was stabilized before testing. Power was applied and the maximum change in frequency was recorded within one minute.
3. With power OFF, the temperature was raised in 10°C step up to 50°C. The EUT was stabilized at each step for at least half an hour. Power was applied and the maximum frequency change was recorded within one minute.

3.7.3 Test Procedures for Voltage Variation

The testing follows FCC KDB 971168 D01 v03r01 Section 9.0.

1. The EUT was placed in a temperature chamber at 20±5° C and connected with the system simulator.
2. The power supply voltage to the EUT was varied from 85% to 115% of the nominal value measured at the input to the EUT.
3. The variation in frequency was measured for the worst case.

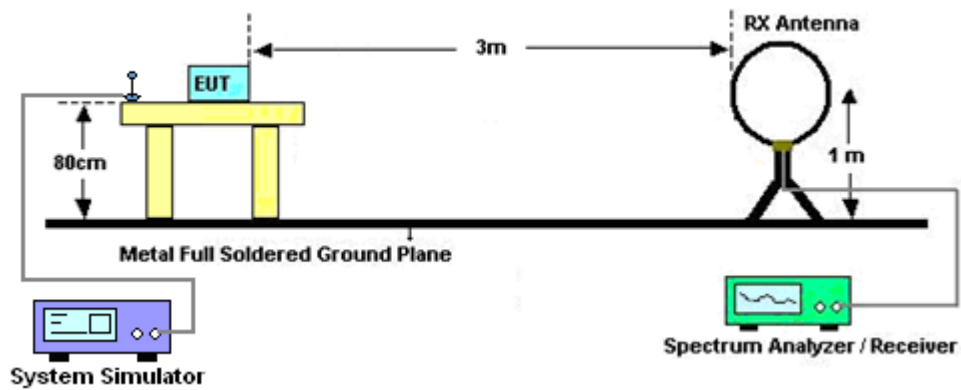
4 Radiated Test Items

4.1 Measuring Instruments

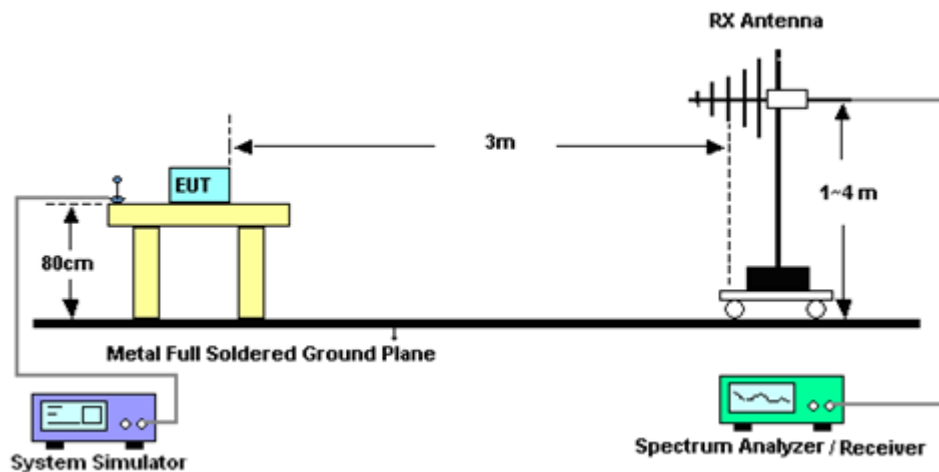
See list of measuring instruments of this test report.

4.1.1 Test Setup

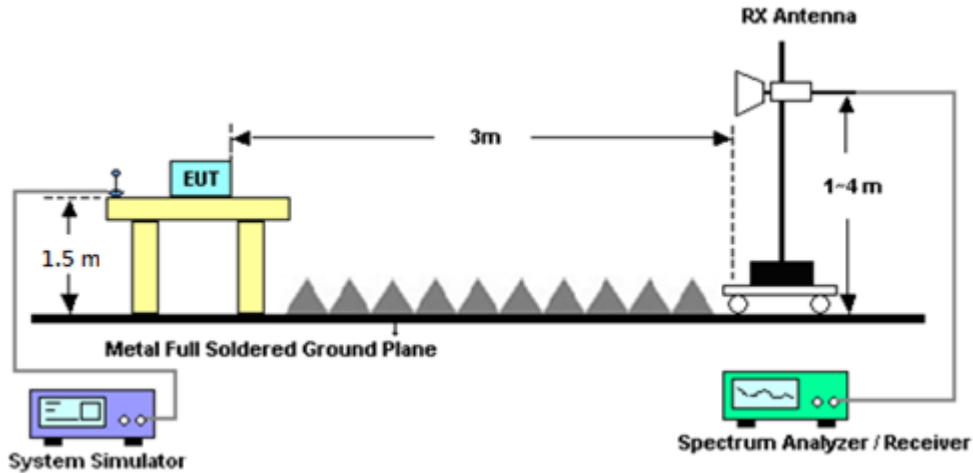
For radiated test below 30MHz



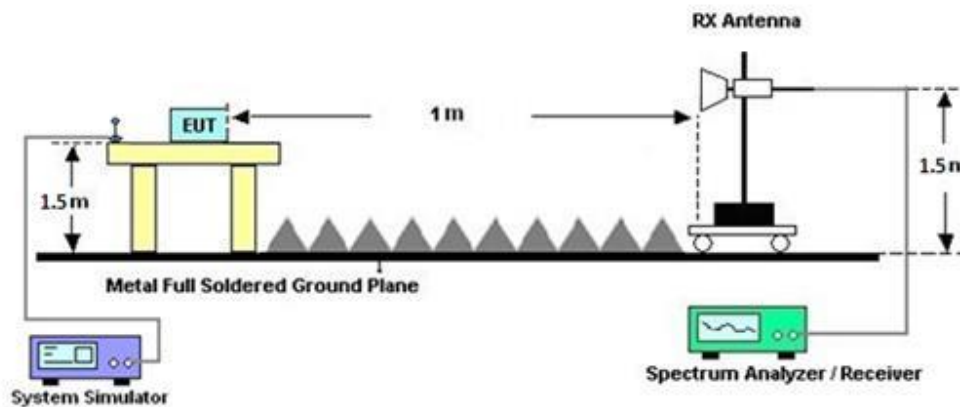
For radiated test from 30MHz to 1GHz



For radiated test from 1GHz to 18GHz



For radiated test above 18GHz



4.1.2 Test Result of Radiated Test

Please refer to Appendix B.

Note:

The low frequency, which started from 9 kHz to 30MHz, was pre-scanned and the result which was 20dB lower than the limit line was not reported.

There is adequate comparison measurement of both open-field test site and alternative test site - semi-Anechoic chamber according to 414788 D01 Radiated Test Site v01r01, and the result came out very similar.



4.2 Radiated Spurious Emission Measurement

4.2.1 Description of Radiated Spurious Emission Measurement

The radiated spurious emission was measured by substitution method according to ANSI / TIA-603-E. The power of any emission outside of the authorized operating frequency ranges must be attenuated below the transmitter power (P) by a factor of at least $43 + 10 \log (P)$ dB. The spectrum is scanned from 30 MHz up to a frequency including its 10th harmonic.

4.2.2 Test Procedures

The testing follows FCC KDB 971168 D01 v03r01 Section 7 and ANSI / TIA-603-E Section 2.2.12.

1. The EUT was placed on a turntable with 0.8 meter for frequency below 1GHz and 1.5 meter for frequency above 1GHz respectively above ground.
2. The EUT was set 3 meters from the receiving antenna, which was mounted on the antenna tower.
3. The table was rotated 360 degrees to determine the position of the highest spurious emission.
4. The height of the receiving antenna is varied between one meter and four meters to search the maximum spurious emission for both horizontal and vertical polarizations.
5. Make the measurement with the spectrum analyzer's RBW = 1MHz, VBW = 3MHz, taking the record of maximum spurious emission.
6. A horn antenna was substituted in place of the EUT and was driven by a signal generator.
7. Tune the output power of signal generator to the same emission level with EUT maximum spurious emission.
8. Taking the record of output power at antenna port.
9. Repeat step 7 to step 8 for another polarization.
10. The RF fundamental frequency should be excluded against the limit line in the operating frequency band.

The limit line is derived from $43 + 10\log(P)$ dB below the transmitter power P(Watts)

$EIRP \text{ (dBm)} = S.G. \text{ Power} - Tx \text{ Cable Loss} + Tx \text{ Antenna Gain}$

$ERP \text{ (dBm)} = EIRP - 2.15$



5 List of Measuring Equipment

Instrument	Brand Name	Model No.	Serial No.	Characteristics	Calibration Date	Test Date	Due Date	Remark
LOOP Antenna	Rohde & Schwarz	HFH2-Z2	100488	9 kHz~30 MHz	Sep. 20, 2022	Mar. 30, 2023~ May 18, 2023	Sep. 19, 2023	Radiation (03CH21-HY)
Bilog Antenna	TESEQ & WOKEN	CBL 6111D & 00802N1D-06	63303 & 001	30MHz~1GHz	Oct. 04, 2022	May 05, 2023~ May 18, 2023	Oct. 03, 2023	Radiation (03CH21-HY)
Bilog Antenna	TESEQ	CBL 6111D & N-6-06	35414 & AT-N0602	30MHz~1GHz	Oct. 08, 2021	May 05, 2023~ May 18, 2023	Oct. 07, 2022	Radiation (03CH21-HY)
Horn Antenna	RFSPIN	DRH18-E	LE2C03A18 EN	1GHz~18GHz	Jul. 06, 2022	May 05, 2023~ May 18, 2023	Jul. 05, 2023	Radiation (03CH21-HY)
Horn Antenna	SCHWARZBECK	BBHA 9120 D	9120D-1326	1GHz~18GHz	Aug. 24, 2022	May 05, 2023~ May 18, 2023	Aug. 23, 2023	Radiation (03CH21-HY)
SHF-EHF Horn Antenna	SCHWARZBECK	BBHA 9170	1223	18GHz~40GHz	Jul. 05, 2022	Mar. 30, 2023 ~ May 18, 2023	Jul. 04, 2022	Radiation (03CH21-HY)
SHF-EHF Horn Antenna	SCHWARZBECK	BBHA 9170	00993	18GHz~40GHz	Nov. 24, 2022	Mar. 30, 2023 ~ May 18, 2023	Nov. 23, 2023	Radiation (03CH21-HY)
Preamplifier	E-INSTRUMENT TECH LTD.	ERA-100M-18 G-56-01-A70	EC1900249	1GHz-18GHz	Dec. 21, 2022	Mar. 30, 2023~ May 18, 2023	Dec. 20, 2023	Radiation (03CH21-HY)
Preamplifier	EMEC	EM18G40G	060871	18GHz~40GHz	Sep. 29, 2022	Mar. 30, 2023~ May 18, 2023	Sep. 28, 2023	Radiation (03CH21-HY)
Spectrum Analyzer	Keysight	N9010B	MY62170358	10Hz~44GHz	Sep. 11, 2022	Mar. 30, 2023~ May 18, 2023	Sep. 10, 2023	Radiation (03CH21-HY)
RF Cable	HUBER + SUHNER	SUCOFLEX 102	803951/2	9K~30M	Mar. 07, 2023	Mar. 30, 2023~ May 18, 2023	Mar. 06, 2024	Radiation (03CH21-HY)
RF Cable	HUBER + SUHNER	SUCOFLEX 102	804397/2,804612/2,804614/2	30MHz~40GHz	Oct. 25, 2022	Mar. 30, 2023~ May 18, 2023	Oct. 24, 2023	Radiation (03CH21-HY)
Filter	Wainwright	WHKX12-1080-1200-15000-60ST	SN14	1.2GHz High Pass Filter	May 24, 2022	Mar. 30, 2023~ May 18, 2023	May 23, 2023	Radiation (03CH21-HY)
Filter	Wainwright	WHKX12-2805-3000-18000-40ST	SN19	3GHz High Pass Filter	Aug. 05, 2022	Mar. 30, 2023~ May 18, 2023	Aug. 04, 2023	Radiation (03CH21-HY)
Filter	Wainwright	WHKX8-6090-7000-18000-40SS	SN98	7GHz High Pass Filter	Nov. 03, 2022	Mar. 30, 2023~ May 18, 2023	Nov. 02, 2023	Radiation (03CH21-HY)
Hygrometer	TECEPEL	DTM-303A	TP211568	N/A	Nov. 17, 2022	Mar. 30, 2023~ May 18, 2023	Nov. 16, 2023	Radiation (03CH21-HY)
Controller	EMEC	EM 1000	N/A	Control Turn table & Ant Mast	N/A	Mar. 30, 2023~ May 18, 2023	N/A	Radiation (03CH21-HY)
Antenna Mast	EMEC	AM-BS-4500-B	N/A	1~4m	N/A	Mar. 30, 2023~ May 18, 2023	N/A	Radiation (03CH21-HY)
Turn Table	EMEC	TT 2000	N/A	0~360 Degree	N/A	Mar. 30, 2023~ May 18, 2023	N/A	Radiation (03CH21-HY)
Software	Audix	E3 6.2009-8-24	RK-001053	N/A	N/A	Mar. 30, 2023~ May 18, 2023	N/A	Radiation (03CH21-HY)
Programmable Power Supply	GW Instek	PSS-2005	EL890001	50Hz~60Hz	Sep. 29, 2022	Feb. 06, 2023~ Jun. 08, 2023	Sep. 28, 2023	Conducted (TH03-HY)
Signal Analyzer	Rohde & Schwarz	FSV3044	101049	10Hz~44GHz	Oct. 07, 2022	Feb. 06, 2023~ Jun. 08, 2023	Oct. 06, 2023	Conducted (TH03-HY)
Temperature Chamber	ESPEC	SH-641	92013720	-40℃ ~90℃	Sep. 07, 2022	Feb. 06, 2023~ Jun. 08, 2023	Sep. 06, 2023	Conducted (TH03-HY)
Hygrometer	TECEPEL	DTM-303B	TP200886	NA	Mar. 21, 2022	Feb. 06, 2023~ Mar. 19, 2023	Mar. 20, 2023	Conducted (TH03-HY)
Hygrometer	TECEPEL	DTM-303B	TP200886	NA	Mar. 28, 2023	Mar. 28, 2023~ Jun. 08, 2023	Mar. 27, 2024	Conducted (TH03-HY)
Base Station (Measure)	Anritsu	MT8821C	6262116730	LTE	Jun. 15, 2022	Feb. 06, 2023~ Jun. 08, 2023	Jun. 14, 2023	Conducted (TH03-HY)
Base Station (Measure)	Anritsu	MT8000A	6262134933	FR1	Jun. 13, 2022	Feb. 06, 2023~ Jun. 08, 2023	Jun. 12, 2023	Conducted (TH03-HY)



6 Measurement Uncertainty

Uncertainty of Radiated Emission Measurement (30 MHz ~ 1000 MHz)

Measuring Uncertainty for a Level of Confidence of 95% ($U = 2Uc(y)$)	3.06 dB
---	---------

Uncertainty of Radiated Emission Measurement (1 GHz ~ 18 GHz)

Measuring Uncertainty for a Level of Confidence of 95% ($U = 2Uc(y)$)	3.31 dB
---	---------

Uncertainty of Radiated Emission Measurement (18 GHz ~ 40 GHz)

Measuring Uncertainty for a Level of Confidence of 95% ($U = 2Uc(y)$)	3.30 dB
---	---------



Appendix A. Test Results of Conducted Test

Conducted Output Power(Average power) and EIRP

<SISO Mode>

<Primary Antenna>

NR n77 HPUE Maximum Average Power [dBm] (GT - LC = -1.1 dB)								
BW [MHz]	RB Size	RB Offset	Mod	Lowest	Middle	Highest	EIRP (dBm)	EIRP(W)
10	1	1	PI/2 BPSK	26.65	26.69	26.82	25.75	0.3758
10	1	22		26.57	26.66	26.63		
10	12	6		26.64	26.75	26.73		
10	1	0		23.10	23.15	23.30		
10	1	23		23.03	23.12	23.12		
10	24	0		26.10	26.25	26.21		
10	1	1	QPSK	26.71	26.71	26.85		
10	1	22		26.59	26.69	26.65		
10	12	6		26.63	26.76	26.72		
10	1	0		23.11	23.16	23.31		
10	1	23		23.06	23.12	23.12		
10	24	0		25.11	25.25	25.19		
10	1	1	16-QAM	25.54	25.76	25.72	24.66	0.2924
10	1	1	64-QAM	24.02	24.35	24.42		
10	1	1	256-QAM	22.14	22.20	22.19		
Limit	EIRP < 1W			Result			Pass	

NR n77 HPUE Maximum Average Power [dBm] (GT - LC = -1.1 dB)								
BW [MHz]	RB Size	RB Offset	Mod	Lowest	Middle	Highest	EIRP (dBm)	EIRP(W)
15	1	1	PI/2 BPSK	26.73	26.76	26.88	25.81	0.3811
15	1	36		26.62	26.66	26.65		
15	18	9		26.67	26.82	26.81		
15	1	0		23.14	23.24	23.37		
15	1	37		23.02	24.11	23.12		
15	36	0		26.18	26.31	26.32		
15	1	1	QPSK	26.72	26.77	26.91		
15	1	36		26.57	26.66	26.65		
15	18	9		26.67	26.81	26.83		
15	1	0		23.19	23.21	23.38		
15	1	37		23.03	23.12	23.13		
15	36	0		25.14	25.26	25.30		
15	1	1	16-QAM	25.84	25.75	25.73	24.74	0.2979
15	1	1	64-QAM	24.18	24.24	24.25		
15	1	1	256-QAM	22.19	22.21	22.31		
Limit	EIRP < 1W			Result			Pass	



NR n77 HPUE Maximum Average Power [dBm] (GT - LC = -1.1 dB)										
BW [MHz]	RB Size	RB Offset	Mod	Lowest	Middle	Highest	EIRP (dBm)	EIRP(W)		
20	1	1	PI/2 BPSK	26.79	26.86	27.01	25.91	0.3899		
20	1	49		26.61	26.62	26.65				
20	25	12		26.82	26.84	26.89				
20	1	0		23.25	23.32	23.42				
20	1	50		23.03	23.08	23.10				
20	50	0		26.19	26.35	26.36				
20	1	1	QPSK	26.81	26.82	26.98			24.85	0.3055
20	1	49		26.63	26.63	26.68				
20	25	12		26.83	26.84	26.88				
20	1	0		23.28	23.31	23.42				
20	1	50		23.10	23.08	23.11				
20	50	0		25.30	25.31	25.35				
20	1	1	16-QAM	25.87	25.79	25.95	24.85	0.3055		
20	1	1	64-QAM	24.19	24.22	24.42				
20	1	1	256-QAM	22.35	22.21	22.44				
Limit	EIRP < 1W			Result			Pass			

NR n77 HPUE Maximum Average Power [dBm] (GT - LC = -1.1 dB)										
BW [MHz]	RB Size	RB Offset	Mod	Lowest	Middle	Highest	EIRP (dBm)	EIRP(W)		
25	1	1	PI/2 BPSK	26.81	27.02	27.04	25.94	0.3926		
25	1	63		26.58	26.65	26.57				
25	32	16		26.76	26.88	23.87				
25	1	0		23.30	23.49	23.46				
25	1	64		23.07	23.06	23.04				
25	64	0		26.26	26.36	26.38				
25	1	1	QPSK	26.81	27.02	26.95			24.99	0.3155
25	1	63		26.55	26.61	26.60				
25	32	16		16.75	26.88	26.88				
25	1	0		23.28	23.52	23.46				
25	1	64		23.05	23.06	23.06				
25	64	0		25.25	25.35	25.36				
25	1	1	16-QAM	25.99	26.08	26.09	24.99	0.3155		
25	1	1	64-QAM	24.30	24.34	24.28				
25	1	1	256-QAM	22.32	22.52	22.44				
Limit	EIRP < 1W			Result			Pass			



NR n77 HPUE Maximum Average Power [dBm] (GT - LC = -1.1 dB)										
BW [MHz]	RB Size	RB Offset	Mod	Lowest	Middle	Highest	EIRP (dBm)	EIRP(W)		
30	1	1	PI/2 BPSK	26.82	27.06	26.95	25.97	0.3954		
30	1	76		26.53	26.63	26.62				
30	36	18		26.76	26.91	26.94				
30	1	0		23.29	23.55	23.37				
30	1	77		23.00	23.11	23.04				
30	75	0		26.25	26.39	26.43				
30	1	1	QPSK	26.86	27.07	26.92			24.95	0.3126
30	1	76		26.60	26.61	26.61				
30	36	18		26.75	26.92	26.95				
30	1	0		23.31	23.50	23.35				
30	1	77		22.96	23.04	23.11				
30	75	0		25.24	25.37	25.42				
30	1	1	16-QAM	25.92	26.05	25.90	24.95	0.3126		
30	1	1	64-QAM	24.30	24.44	24.37				
30	1	1	256-QAM	22.20	22.64	22.24				
Limit	EIRP < 1W			Result			Pass			

NR n77 HPUE Maximum Average Power [dBm] (GT - LC = -1.1 dB)										
BW [MHz]	RB Size	RB Offset	Mod	Lowest	Middle	Highest	EIRP (dBm)	EIRP(W)		
40	1	1	PI/2 BPSK	26.88	27.08	27.01	26.00	0.3981		
40	1	104		26.64	26.42	26.51				
40	50	25		26.78	26.89	26.91				
40	1	0		23.36	23.54	23.43				
40	1	105		23.12	22.87	22.97				
40	100	0		26.29	26.36	26.42				
40	1	1	QPSK	26.92	27.10	26.96			25.04	0.3192
40	1	104		26.64	26.45	26.51				
40	50	25		26.79	26.88	26.91				
40	1	0		23.38	23.53	23.42				
40	1	105		23.04	22.88	22.98				
40	100	0		25.28	25.36	25.35				
40	1	1	16-QAM	25.88	26.14	25.82	25.04	0.3192		
40	1	1	64-QAM	24.45	24.58	24.48				
40	1	1	256-QAM	22.23	22.60	22.44				
Limit	EIRP < 1W			Result			Pass			



NR n77 HPUE Maximum Average Power [dBm] (GT - LC = -1.1 dB)										
BW [MHz]	RB Size	RB Offset	Mod	Lowest	Middle	Highest	EIRP (dBm)	EIRP(W)		
50	1	1	PI/2 BPSK	26.89	26.98	27.06	25.96	0.3945		
50	1	131		26.47	26.39	26.44				
50	64	32		26.73	26.87	26.78				
50	1	0		23.33	23.42	23.54				
50	1	132		22.96	22.86	22.92				
50	128	0		26.22	26.35	26.29				
50	1	1	QPSK	26.85	26.94	27.06			25.03	0.3184
50	1	131		26.47	26.37	26.41				
50	64	32		26.74	26.89	26.80				
50	1	0		23.35	23.42	23.56				
50	1	132		22.94	22.87	22.91				
50	128	0		25.18	25.35	25.26				
50	1	1	16-QAM	25.83	26.03	26.13	25.03	0.3184		
50	1	1	64-QAM	24.34	24.65	24.65				
50	1	1	256-QAM	22.24	22.31	22.49				
Limit	EIRP < 1W			Result			Pass			

NR n77 HPUE Maximum Average Power [dBm] (GT - LC = -1.1 dB)										
BW [MHz]	RB Size	RB Offset	Mod	Lowest	Middle	Highest	EIRP (dBm)	EIRP(W)		
60	1	1	PI/2 BPSK	26.79	26.90	26.95	25.85	0.3846		
60	1	160		26.16	26.37	26.25				
60	81	40		26.66	26.82	26.66				
60	1	0		23.31	23.42	23.38				
60	1	161		22.68	22.88	22.71				
60	162	0		26.28	26.28	26.16				
60	1	1	QPSK	26.78	26.87	26.85			24.82	0.3034
60	1	160		26.22	26.38	26.19				
60	81	40		26.68	26.81	26.65				
60	1	0		23.31	23.40	23.39				
60	1	161		22.72	22.82	22.72				
60	162	0		26.26	25.31	25.13				
60	1	1	16-QAM	25.87	25.92	25.83	24.82	0.3034		
60	1	1	64-QAM	24.37	24.30	24.41				
60	1	1	256-QAM	22.20	22.33	22.32				
Limit	EIRP < 1W			Result			Pass			



NR n77 HPUE Maximum Average Power [dBm] (GT - LC = -1.1 dB)										
BW [MHz]	RB Size	RB Offset	Mod	Lowest	Middle	Highest	EIRP (dBm)	EIRP(W)		
70	1	1	PI/2 BPSK	26.82	26.89	27.21	26.11	0.4083		
70	1	187		26.02	26.23	26.21				
70	90	45		26.84	26.86	26.88				
70	1	0		23.37	23.46	23.70				
70	1	188		22.61	22.72	22.68				
70	180	0		26.31	26.32	26.39				
70	1	1	QPSK	26.90	26.97	27.19			26.11	0.4083
70	1	187		26.05	26.22	26.15				
70	90	45		26.85	26.85	26.89				
70	1	0		23.36	23.45	23.70				
70	1	188		22.57	22.72	22.70				
70	180	0		25.28	25.35	25.36				
70	1	1	16-QAM	25.69	26.01	26.24	25.14	0.3266		
70	1	1	64-QAM	24.20	24.51	24.61				
70	1	1	256-QAM	22.34	22.38	22.69				
Limit	EIRP < 1W			Result			Pass			

NR n77 HPUE Maximum Average Power [dBm] (GT - LC = -1.1 dB)										
BW [MHz]	RB Size	RB Offset	Mod	Lowest	Middle	Highest	EIRP (dBm)	EIRP(W)		
80	1	1	PI/2 BPSK	26.86	26.91	27.00	25.90	0.389		
80	1	215		26.08	26.12	26.02				
80	108	54		26.72	26.82	26.83				
80	1	0		23.45	23.52	23.52				
80	1	216		22.64	22.66	22.56				
80	216	0		26.16	26.30	26.33				
80	1	1	QPSK	26.93	26.97	26.99			25.90	0.389
80	1	215		26.19	26.15	21.08				
80	108	54		26.73	26.82	26.83				
80	1	0		23.42	23.48	23.53				
80	1	216		22.64	22.64	22.61				
80	216	0		25.15	25.28	25.32				
80	1	1	16-QAM	25.96	25.98	26.02	24.92	0.3105		
80	1	1	64-QAM	24.35	24.52	24.41				
80	1	1	256-QAM	22.39	22.41	22.39				
Limit	EIRP < 1W			Result			Pass			



NR n77 HPUE Maximum Average Power [dBm] (GT - LC = -1.1 dB)										
BW [MHz]	RB Size	RB Offset	Mod	Lowest	Middle	Highest	EIRP (dBm)	EIRP(W)		
90	1	1	PI/2 BPSK	26.99	27.03	27.13	26.07	0.4046		
90	1	243		26.15	26.02	26.04				
90	120	60		26.75	26.89	26.88				
90	1	0		23.51	23.56	23.62				
90	1	244		22.61	22.56	22.53				
90	243	0		26.21	26.37	26.37				
90	1	1	QPSK	27.02	27.08	27.17			26.07	0.4046
90	1	243		26.26	26.22	26.18				
90	120	60		26.76	26.88	26.88				
90	1	0		23.48	23.52	23.58				
90	1	244		22.60	22.54	22.51				
90	243	0		25.20	25.32	25.35				
90	1	1	16-QAM	26.03	26.11	26.34	25.24	0.3342		
90	1	1	64-QAM	24.43	24.43	24.57				
90	1	1	256-QAM	22.26	22.47	22.48				
Limit	EIRP < 1W			Result			Pass			

NR n77 HPUE Maximum Average Power [dBm] (GT - LC = -1.1 dB)										
BW [MHz]	RB Size	RB Offset	Mod	Lowest	Middle	Highest	EIRP (dBm)	EIRP(W)		
100	1	1	PI/2 BPSK	-	27.35	-	26.43	0.4395		
100	1	271		-	26.32	-				
100	135	67		-	26.93	-				
100	1	0		-	23.58	-				
100	1	272		-	22.51	-				
100	270	0		-	26.37	-				
100	1	1	QPSK	-	27.53	-			26.43	0.4395
100	1	271		-	26.56	-				
100	135	67		-	26.95	-				
100	1	0		-	23.60	-				
100	1	272		-	22.51	-				
100	270	0		-	25.37	-				
100	1	1	16-QAM	-	26.21	-	25.11	0.3243		
100	1	1	64-QAM	-	24.71	-				
100	1	1	256-QAM	-	22.53	-				
Limit	EIRP < 1W			Result			Pass			



NR n78 HPUE Maximum Average Power [dBm] (GT - LC = -1.1 dB)								
BW [MHz]	RB Size	RB Offset	Mod	Lowest	Middle	Highest	EIRP (dBm)	EIRP(W)
10	1	1	PI/2 BPSK	26.24	26.16	26.48	25.38	0.3451
10	1	22		26.05	26.03	23.37		
10	12	6		25.99	26.05	26.35		
10	1	0		22.65	22.65	22.95		
10	1	23		22.47	22.47	22.84		
10	24	0		25.54	25.51	25.84		
10	1	1	QPSK	26.18	26.14	26.47		
10	1	22		26.04	26.05	26.31		
10	12	6		26.01	26.07	26.36		
10	1	0		22.57	22.59	22.93		
10	1	23		22.48	22.49	22.81		
10	24	0		24.98	25.02	25.35		
10	1	1	16-QAM	25.24	25.12	25.48	24.38	0.2742
10	1	1	64-QAM	23.64	23.68	23.85		
10	1	1	256-QAM	21.76	21.58	21.81		
Limit	EIRP < 1W			Result			Pass	

NR n78 HPUE Maximum Average Power [dBm] (GT - LC = -1.1 dB)								
BW [MHz]	RB Size	RB Offset	Mod	Lowest	Middle	Highest	EIRP (dBm)	EIRP(W)
15	1	1	PI/2 BPSK	26.15	26.14	26.45	25.37	0.3443
15	1	36		26.17	26.02	26.24		
15	18	9		26.05	26.01	26.45		
15	1	0		22.68	22.62	22.91		
15	1	37		22.64	22.48	22.73		
15	36	0		25.51	25.54	25.91		
15	1	1	QPSK	26.19	26.16	26.47		
15	1	36		26.14	26.05	26.21		
15	18	9		26.02	26.01	26.45		
15	1	0		22.67	22.65	22.96		
15	1	37		22.61	22.54	22.72		
15	36	0		25.01	25.03	25.42		
15	1	1	16-QAM	24.98	25.01	25.65	24.55	0.2851
15	1	1	64-QAM	23.71	23.75	24.01		
15	1	1	256-QAM	21.56	21.58	21.89		
Limit	EIRP < 1W			Result			Pass	



NR n78 HPUE Maximum Average Power [dBm] (GT - LC = -1.1 dB)								
BW [MHz]	RB Size	RB Offset	Mod	Lowest	Middle	Highest	EIRP (dBm)	EIRP(W)
20	1	1	PI/2 BPSK	26.25	26.17	26.24	25.18	0.3296
20	1	49		26.15	26.03	26.14		
20	25	12		26.05	25.98	26.27		
20	1	0		22.67	22.59	22.72		
20	1	50		22.58	22.46	22.58		
20	50	0		25.55	25.50	25.75		
20	1	1	QPSK	26.28	26.20	26.23		
20	1	49		26.15	26.04	26.05		
20	25	12		26.08	26.00	26.28		
20	1	0		22.72	22.67	22.68		
20	1	50		22.59	22.51	22.58		
20	50	0		25.06	25.00	25.26		
20	1	1	16-QAM	25.33	25.26	25.23	24.23	0.2649
20	1	1	64-QAM	23.52	23.53	23.76		
20	1	1	256-QAM	21.52	21.66	21.72		
Limit	EIRP < 1W			Result			Pass	

NR n78 HPUE Maximum Average Power [dBm] (GT - LC = -1.1 dB)								
BW [MHz]	RB Size	RB Offset	Mod	Lowest	Middle	Highest	EIRP (dBm)	EIRP(W)
25	1	1	PI/2 BPSK	26.24	26.17	26.25	25.17	0.3289
25	1	63		26.08	25.93	26.08		
25	32	16		26.27	26.01	26.24		
25	1	0		22.79	22.63	22.68		
25	1	64		22.58	22.40	22.52		
25	64	0		25.74	25.52	25.74		
25	1	1	QPSK	26.22	26.22	26.19		
25	1	63		26.06	26.01	26.00		
25	32	16		26.26	26.00	26.27		
25	1	0		22.76	22.71	22.66		
25	1	64		22.55	22.46	22.48		
25	64	0		25.26	25.00	25.23		
25	1	1	16-QAM	25.37	25.23	25.32	24.27	0.2673
25	1	1	64-QAM	23.73	23.71	23.76		
25	1	1	256-QAM	21.70	21.59	21.51		
Limit	EIRP < 1W			Result			Pass	



NR n78 HPUE Maximum Average Power [dBm] (GT - LC = -1.1 dB)										
BW [MHz]	RB Size	RB Offset	Mod	Lowest	Middle	Highest	EIRP (dBm)	EIRP(W)		
30	1	1	PI/2 BPSK	26.17	26.21	26.15	25.21	0.3319		
30	1	76		25.92	25.99	26.14				
30	36	18		26.16	26.01	26.28				
30	1	0		22.65	22.66	22.62				
30	1	77		22.44	22.46	22.60				
30	75	0		25.63	25.51	25.86				
30	1	1	QPSK	26.23	26.19	26.18			25.21	0.3319
30	1	76		26.00	25.95	26.17				
30	36	18		26.18	26.04	26.31				
30	1	0		22.73	22.66	22.67				
30	1	77		22.45	22.42	22.66				
30	75	0		25.15	24.98	25.36				
30	1	1	16-QAM	25.37	25.39	25.16	24.29	0.2685		
30	1	1	64-QAM	23.65	23.90	23.65				
30	1	1	256-QAM	21.79	21.54	21.52				
Limit	EIRP < 1W			Result			Pass			

NR n78 HPUE Maximum Average Power [dBm] (GT - LC = -1.1 dB)										
BW [MHz]	RB Size	RB Offset	Mod	Lowest	Middle	Highest	EIRP (dBm)	EIRP(W)		
40	1	1	PI/2 BPSK	26.34	26.28	26.19	25.24	0.3342		
40	1	104		26.04	25.93	26.06				
40	50	25		26.22	26.03	26.21				
40	1	0		22.76	22.69	22.65				
40	1	105		22.48	22.33	22.48				
40	100	0		25.72	25.48	25.68				
40	1	1	QPSK	26.26	26.24	26.20			25.24	0.3342
40	1	104		25.97	25.89	26.06				
40	50	25		26.26	26.02	26.21				
40	1	0		22.77	22.66	22.65				
40	1	105		22.51	22.34	22.53				
40	100	0		25.22	25.00	25.19				
40	1	1	16-QAM	25.44	25.23	25.10	24.34	0.2716		
40	1	1	64-QAM	23.76	23.71	23.61				
40	1	1	256-QAM	21.55	21.79	21.64				
Limit	EIRP < 1W			Result			Pass			



NR n78 HPUE Maximum Average Power [dBm] (GT - LC = -1.1 dB)										
BW [MHz]	RB Size	RB Offset	Mod	Lowest	Middle	Highest	EIRP (dBm)	EIRP(W)		
50	1	1	PI/2 BPSK	26.26	26.23	26.06	25.16	0.3281		
50	1	131		25.76	25.89	25.89				
50	64	32		26.09	26.03	26.01				
50	1	0		22.73	22.71	22.55				
50	1	132		22.22	22.35	22.33				
50	128	0		25.58	25.50	25.50				
50	1	1	QPSK	26.26	26.24	26.10			25.16	0.3281
50	1	131		25.73	25.87	25.91				
50	64	32		26.11	26.01	26.01				
50	1	0		22.77	22.69	22.59				
50	1	132		22.24	22.32	22.40				
50	128	0		25.10	24.97	25.00				
50	1	1	16-QAM	25.30	25.33	24.99	24.23	0.2649		
50	1	1	64-QAM	23.86	23.69	23.71				
50	1	1	256-QAM	21.58	21.67	21.64				
Limit	EIRP < 1W			Result			Pass			

NR n78 HPUE Maximum Average Power [dBm] (GT - LC = -1.1 dB)										
BW [MHz]	RB Size	RB Offset	Mod	Lowest	Middle	Highest	EIRP (dBm)	EIRP(W)		
60	1	1	PI/2 BPSK	26.28	26.22	26.21	25.18	0.3296		
60	1	160		25.80	25.96	25.92				
60	81	40		26.15	26.01	26.06				
60	1	0		22.80	22.74	22.70				
60	1	161		22.32	22.47	22.39				
60	162	0		25.67	25.50	25.53				
60	1	1	QPSK	26.25	26.19	26.19			25.18	0.3296
60	1	160		25.77	25.91	25.86				
60	81	40		26.17	26.02	26.05				
60	1	0		22.78	22.72	22.72				
60	1	161		22.30	22.43	22.40				
60	162	0		25.19	24.99	25.03				
60	1	1	16-QAM	25.15	25.23	25.26	24.16	0.2606		
60	1	1	64-QAM	23.85	23.82	23.75				
60	1	1	256-QAM	21.80	21.68	21.65				
Limit	EIRP < 1W			Result			Pass			



NR n78 HPUE Maximum Average Power [dBm] (GT - LC = -1.1 dB)										
BW [MHz]	RB Size	RB Offset	Mod	Lowest	Middle	Highest	EIRP (dBm)	EIRP(W)		
70	1	1	PI/2 BPSK	26.31	26.19	26.19	25.21	0.3319		
70	1	187		25.66	25.77	25.84				
70	90	45		26.15	25.99	26.14				
70	1	0		22.84	22.68	22.77				
70	1	188		22.17	22.36	22.41				
70	180	0		25.61	25.46	25.64				
70	1	1	QPSK	26.27	26.17	26.27			25.21	0.3319
70	1	187		25.60	25.78	25.93				
70	90	45		26.12	26.00	26.17				
70	1	0		22.81	22.71	22.81				
70	1	188		22.14	22.34	22.40				
70	180	0		25.09	24.98	25.14				
70	1	1	16-QAM	25.28	25.14	25.32	24.22	0.2642		
70	1	1	64-QAM	23.70	23.91	23.96				
70	1	1	256-QAM	21.74	21.73	21.76				
Limit	EIRP < 1W			Result			Pass			

NR n78 HPUE Maximum Average Power [dBm] (GT - LC = -1.1 dB)										
BW [MHz]	RB Size	RB Offset	Mod	Lowest	Middle	Highest	EIRP (dBm)	EIRP(W)		
80	1	1	PI/2 BPSK	26.27	26.18	26.24	25.25	0.335		
80	1	215		25.78	25.63	25.81				
80	108	54		26.17	26.03	26.11				
80	1	0		22.87	22.70	22.80				
80	1	216		22.37	22.14	22.35				
80	216	0		25.63	25.50	25.60				
80	1	1	QPSK	26.35	26.09	26.23			25.25	0.335
80	1	215		25.85	25.53	25.74				
80	108	54		26.18	26.05	26.12				
80	1	0		22.88	22.70	22.81				
80	1	216		22.33	22.17	22.36				
80	216	0		25.17	25.00	25.09				
80	1	1	16-QAM	25.45	25.34	25.31	24.35	0.2723		
80	1	1	64-QAM	23.67	23.68	23.77				
80	1	1	256-QAM	21.79	21.68	21.74				
Limit	EIRP < 1W			Result			Pass			



NR n78 HPUE Maximum Average Power [dBm] (GT - LC = -1.1 dB)										
BW [MHz]	RB Size	RB Offset	Mod	Lowest	Middle	Highest	EIRP (dBm)	EIRP(W)		
90	1	1	PI/2 BPSK	26.29	26.15	26.13	25.29	0.3381		
90	1	243		25.81	25.75	25.77				
90	120	60		26.10	26.03	26.12				
90	1	0		22.94	22.75	22.77				
90	1	244		22.40	22.29	22.36				
90	243	0		25.56	25.51	25.58				
90	1	1	QPSK	26.39	26.09	26.20			24.29	0.2685
90	1	243		25.91	25.74	25.83				
90	120	60		26.13	26.04	26.14				
90	1	0		22.91	22.64	22.76				
90	1	244		22.37	22.24	22.33				
90	243	0		25.11	25.00	25.07				
90	1	1	16-QAM	25.39	25.20	25.27	24.29	0.2685		
90	1	1	64-QAM	23.92	23.55	23.59				
90	1	1	256-QAM	21.81	21.78	21.72				
Limit	EIRP < 1W			Result			Pass			

NR n78 HPUE Maximum Average Power [dBm] (GT - LC = -1.1 dB)										
BW [MHz]	RB Size	RB Offset	Mod	Lowest	Middle	Highest	EIRP (dBm)	EIRP(W)		
100	1	1	PI/2 BPSK	-	26.34	-	25.35	0.3428		
100	1	271		-	25.76	-				
100	135	67		-	26.03	-				
100	1	0		-	22.89	-				
100	1	272		-	22.27	-				
100	270	0		-	25.51	-				
100	1	1	QPSK	-	26.45	-			24.46	0.2793
100	1	271		-	25.98	-				
100	135	67		-	26.02	-				
100	1	0		-	22.88	-				
100	1	272		-	22.27	-				
100	270	0		-	25.01	-				
100	1	1	16-QAM	-	25.56	-	24.46	0.2793		
100	1	1	64-QAM	-	24.00	-				
100	1	1	256-QAM	-	21.88	-				
Limit	EIRP < 1W			Result			Pass			



<ASDIV Antenna>

NR n77 HPUE Maximum Average Power [dBm] (GT - LC = -0.8 dB)								
BW [MHz]	RB Size	RB Offset	Mod	Lowest	Middle	Highest	EIRP (dBm)	EIRP(W)
10	1	1	PI/2 BPSK	25.94	25.87	26.03	25.24	0.3342
10	1	22		25.76	25.68	25.78		
10	12	6		25.79	25.71	25.87		
10	1	0		22.42	22.29	22.47		
10	1	23		22.26	22.18	22.26		
10	24	0		25.26	25.21	25.38		
10	1	1	QPSK	25.92	25.90	26.04	24.19	0.2624
10	1	22		25.79	25.73	25.78		
10	12	6		25.78	25.74	25.86		
10	1	0		22.40	22.32	22.53		
10	1	23		22.23	22.18	22.27		
10	24	0		24.25	24.22	24.36		
10	1	1	16-QAM	24.91	24.82	24.99	24.19	0.2624
10	1	1	64-QAM	23.52	23.31	23.52		
10	1	1	256-QAM	21.46	21.34	21.53		
Limit	EIRP < 1W			Result			Pass	

NR n77 HPUE Maximum Average Power [dBm] (GT - LC = -0.8 dB)								
BW [MHz]	RB Size	RB Offset	Mod	Lowest	Middle	Highest	EIRP (dBm)	EIRP(W)
15	1	1	PI/2 BPSK	26.01	25.91	26.14	25.34	0.342
15	1	36		25.90	25.67	25.82		
15	18	9		25.82	25.73	26.00		
15	1	0		22.46	22.32	22.56		
15	1	37		22.34	22.45	22.26		
15	36	0		25.31	25.20	25.53		
15	1	1	QPSK	26.02	25.91	26.13	24.24	0.2655
15	1	36		25.84	25.64	25.75		
15	18	9		25.81	25.73	26.01		
15	1	0		22.45	22.39	22.55		
15	1	37		22.34	22.11	22.23		
15	36	0		24.29	24.22	24.47		
15	1	1	16-QAM	25.04	24.95	25.03	24.24	0.2655
15	1	1	64-QAM	23.47	23.49	23.76		
15	1	1	256-QAM	21.35	21.31	21.51		
Limit	EIRP < 1W			Result			Pass	



NR n77 HPUE Maximum Average Power [dBm] (GT - LC = -0.8 dB)										
BW [MHz]	RB Size	RB Offset	Mod	Lowest	Middle	Highest	EIRP (dBm)	EIRP(W)		
20	1	1	PI/2 BPSK	26.07	25.97	26.06	25.27	0.3365		
20	1	49		25.92	25.71	25.72				
20	25	12		25.86	25.73	26.01				
20	1	0		22.51	22.39	22.54				
20	1	50		22.35	22.13	22.24				
20	50	0		25.35	22.13	25.52				
20	1	1	QPSK	26.02	25.94	26.03			24.29	0.2685
20	1	49		25.84	25.69	25.76				
20	25	12		25.88	25.74	26.03				
20	1	0		22.50	22.37	22.53				
20	1	50		22.32	22.10	22.23				
20	50	0		24.35	22.14	24.50				
20	1	1	16-QAM	24.96	25.07	25.09	24.29	0.2685		
20	1	1	64-QAM	23.41	23.55	23.46				
20	1	1	256-QAM	21.48	21.34	21.43				
Limit	EIRP < 1W			Result			Pass			

NR n77 HPUE Maximum Average Power [dBm] (GT - LC = -0.8 dB)										
BW [MHz]	RB Size	RB Offset	Mod	Lowest	Middle	Highest	EIRP (dBm)	EIRP(W)		
25	1	1	PI/2 BPSK	26.05	26.02	26.08	25.32	0.3404		
25	1	63		25.79	25.65	25.66				
25	32	16		26.02	25.74	26.05				
25	1	0		22.49	22.49	22.53				
25	1	64		22.21	22.10	22.18				
25	64	0		25.52	25.21	25.51				
25	1	1	QPSK	26.12	26.03	26.11			24.36	0.2729
25	1	63		25.78	25.64	25.71				
25	32	16		26.04	25.76	26.04				
25	1	0		22.51	22.49	22.51				
25	1	64		22.27	22.14	22.17				
25	64	0		24.49	24.22	24.52				
25	1	1	16-QAM	25.16	24.98	25.15	24.36	0.2729		
25	1	1	64-QAM	23.52	23.33	23.58				
25	1	1	256-QAM	21.45	21.51	21.71				
Limit	EIRP < 1W			Result			Pass			



NR n77 HPUE Maximum Average Power [dBm] (GT - LC = -0.8 dB)										
BW [MHz]	RB Size	RB Offset	Mod	Lowest	Middle	Highest	EIRP (dBm)	EIRP(W)		
30	1	1	PI/2 BPSK	26.07	26.07	25.97	25.28	0.3373		
30	1	76		25.72	25.63	25.73				
30	36	18		25.98	25.76	25.96				
30	1	0		22.47	22.59	22.51				
30	1	77		22.14	22.10	22.15				
30	75	0		25.47	25.22	25.57				
30	1	1	QPSK	26.08	26.08	26.00			24.29	0.2685
30	1	76		25.68	25.64	25.71				
30	36	18		25.99	25.77	25.97				
30	1	0		22.49	22.56	22.48				
30	1	77		22.22	22.11	22.14				
30	75	0		24.42	24.24	24.55				
30	1	1	16-QAM	24.97	25.09	24.86	24.29	0.2685		
30	1	1	64-QAM	23.59	23.65	23.47				
30	1	1	256-QAM	21.54	21.36	21.46				
Limit	EIRP < 1W			Result			Pass			

NR n77 HPUE Maximum Average Power [dBm] (GT - LC = -0.8 dB)										
BW [MHz]	RB Size	RB Offset	Mod	Lowest	Middle	Highest	EIRP (dBm)	EIRP(W)		
40	1	1	PI/2 BPSK	25.85	25.84	25.64	25.05	0.3199		
40	1	104		25.52	25.42	25.43				
40	50	25		25.77	25.57	25.67				
40	1	0		22.36	22.25	22.13				
40	1	105		22.03	21.89	21.93				
40	100	0		25.28	25.07	25.15				
40	1	1	QPSK	25.57	25.79	25.75			24.04	0.2535
40	1	104		25.57	25.33	25.42				
40	50	25		25.81	25.54	25.67				
40	1	0		22.38	22.28	22.21				
40	1	105		22.06	21.83	24.15				
40	100	0		24.28	24.05	24.16				
40	1	1	16-QAM	24.84	24.73	24.72	24.04	0.2535		
40	1	1	64-QAM	23.24	23.34	23.17				
40	1	1	256-QAM	21.36	21.24	21.20				
Limit	EIRP < 1W			Result			Pass			



NR n77 HPUE Maximum Average Power [dBm] (GT - LC = -0.8 dB)										
BW [MHz]	RB Size	RB Offset	Mod	Lowest	Middle	Highest	EIRP (dBm)	EIRP(W)		
50	1	1	PI/2 BPSK	25.84	25.75	25.58	25.05	0.3199		
50	1	131		25.24	25.32	25.24				
50	64	32		25.64	25.55	25.47				
50	1	0		22.35	22.25	22.11				
50	1	132		21.75	21.80	21.76				
50	128	0		25.14	24.03	24.96				
50	1	1	QPSK	25.85	25.76	25.61			24.15	0.2600
50	1	131		25.32	25.31	25.32				
50	64	32		25.65	25.52	25.49				
50	1	0		22.35	22.24	22.08				
50	1	132		21.81	21.80	21.78				
50	128	0		24.22	24.01	23.95				
50	1	1	16-QAM	24.95	24.75	24.52	24.15	0.2600		
50	1	1	64-QAM	23.27	23.21	23.15				
50	1	1	256-QAM	21.25	21.15	20.95				
Limit	EIRP < 1W			Result			Pass			

NR n77 HPUE Maximum Average Power [dBm] (GT - LC = -0.8 dB)										
BW [MHz]	RB Size	RB Offset	Mod	Lowest	Middle	Highest	EIRP (dBm)	EIRP(W)		
60	1	1	PI/2 BPSK	25.82	25.81	25.75	25.07	0.3214		
60	1	160		25.29	25.37	25.26				
60	81	40		25.75	25.52	25.52				
60	1	0		22.35	22.15	22.28				
60	1	161		21.84	21.89	21.82				
60	162	0		25.24	25.01	25.03				
60	1	1	QPSK	25.87	25.72	25.69			24.05	0.2541
60	1	160		25.31	25.34	25.27				
60	81	40		25.71	25.55	25.54				
60	1	0		22.42	22.32	22.25				
60	1	161		21.82	21.87	21.78				
60	162	0		24.23	24.03	24.01				
60	1	1	16-QAM	24.85	24.75	24.67	24.05	0.2541		
60	1	1	64-QAM	23.35	23.36	23.25				
60	1	1	256-QAM	21.35	21.27	21.14				
Limit	EIRP < 1W			Result			Pass			



NR n77 HPUE Maximum Average Power [dBm] (GT - LC = -0.8 dB)										
BW [MHz]	RB Size	RB Offset	Mod	Lowest	Middle	Highest	EIRP (dBm)	EIRP(W)		
70	1	1	PI/2 BPSK	25.87	25.81	25.80	25.07	0.3214		
70	1	187		25.12	25.27	25.27				
70	90	45		25.67	25.52	25.69				
70	1	0		22.45	22.36	22.39				
70	1	188		21.65	21.79	21.76				
70	180	0		25.15	25.01	25.15				
70	1	1	QPSK	25.14	25.83	25.79			24.05	0.2541
70	1	187		25.10	25.29	25.27				
70	90	45		25.62	25.54	25.69				
70	1	0		22.39	22.38	22.35				
70	1	188		21.65	21.89	21.80				
70	180	0		24.18	24.04	24.15				
70	1	1	16-QAM	24.79	24.85	24.85	24.05	0.2541		
70	1	1	64-QAM	23.24	23.45	23.24				
70	1	1	256-QAM	21.24	21.31	21.46				
Limit	EIRP < 1W			Result			Pass			

NR n77 HPUE Maximum Average Power [dBm] (GT - LC = -0.8 dB)										
BW [MHz]	RB Size	RB Offset	Mod	Lowest	Middle	Highest	EIRP (dBm)	EIRP(W)		
80	1	1	PI/2 BPSK	25.86	25.71	25.75	25.14	0.3266		
80	1	215		25.24	24.98	25.12				
80	108	54		25.72	25.53	25.63				
80	1	0		22.46	22.26	22.35				
80	1	216		21.84	21.52	21.75				
80	216	0		25.14	25.02	25.06				
80	1	1	QPSK	25.94	25.72	25.85			24.18	0.2618
80	1	215		25.33	24.97	25.21				
80	108	54		25.70	25.56	25.62				
80	1	0		22.45	22.31	22.35				
80	1	216		21.88	21.52	21.76				
80	216	0		24.18	24.03	24.09				
80	1	1	16-QAM	24.98	24.96	24.75	24.18	0.2618		
80	1	1	64-QAM	23.29	23.21	23.34				
80	1	1	256-QAM	21.42	21.35	21.34				
Limit	EIRP < 1W			Result			Pass			



NR n77 HPUE Maximum Average Power [dBm] (GT - LC = -0.8 dB)										
BW [MHz]	RB Size	RB Offset	Mod	Lowest	Middle	Highest	EIRP (dBm)	EIRP(W)		
90	1	1	PI/2 BPSK	25.85	25.83	25.75	25.22	0.3327		
90	1	243		25.24	25.22	25.19				
90	120	60		25.45	25.52	25.62				
90	1	0		22.46	22.27	22.35				
90	1	244		21.73	21.71	21.75				
90	243	0		25.12	25.02	25.07				
90	1	1	QPSK	26.02	25.90	25.88			24.22	0.2642
90	1	243		25.32	25.23	25.24				
90	120	60		25.52	25.54	25.64				
90	1	0		22.52	22.28	22.27				
90	1	244		21.79	21.64	21.72				
90	243	0		24.10	24.05	24.10				
90	1	1	16-QAM	25.02	24.67	24.87	24.22	0.2642		
90	1	1	64-QAM	23.45	23.25	23.23				
90	1	1	256-QAM	21.35	21.41	21.26				
Limit	EIRP < 1W			Result			Pass			

NR n77 HPUE Maximum Average Power [dBm] (GT - LC = -0.8 dB)										
BW [MHz]	RB Size	RB Offset	Mod	Lowest	Middle	Highest	EIRP (dBm)	EIRP(W)		
100	1	1	PI/2 BPSK	-	26.17	-	25.55	0.3589		
100	1	271		-	25.42	-				
100	135	67		-	25.56	-				
100	1	0		-	22.45	-				
100	1	272		-	21.63	-				
100	270	0		-	25.01	-				
100	1	1	QPSK	-	26.35	-			24.34	0.2716
100	1	271		-	25.58	-				
100	135	67		-	25.54	-				
100	1	0		-	22.42	-				
100	1	272		-	21.58	-				
100	270	0		-	24.02	-				
100	1	1	16-QAM	-	25.14	-	24.34	0.2716		
100	1	1	64-QAM	-	23.35	-				
100	1	1	256-QAM	-	21.35	-				
Limit	EIRP < 1W			Result			Pass			



NR n78 HPUE Maximum Average Power [dBm] (GT - LC = -0.8 dB)								
BW [MHz]	RB Size	RB Offset	Mod	Lowest	Middle	Highest	EIRP (dBm)	EIRP(W)
10	1	1	PI/2 BPSK	25.35	25.46	25.53	24.82	0.3034
10	1	22		25.16	25.30	25.43		
10	12	6		25.22	25.29	25.46		
10	1	0		21.80	21.90	22.01		
10	1	23		21.63	21.72	21.90		
10	24	0		24.69	24.76	24.92		
10	1	1	QPSK	25.41	25.42	25.62		
10	1	22		25.21	25.28	25.46		
10	12	6		25.24	25.31	25.45		
10	1	0		21.87	21.88	22.09		
10	1	23		21.69	21.72	21.92		
10	24	0		24.20	24.29	24.44		
10	1	1	16-QAM	24.46	24.45	24.51	23.71	0.2350
10	1	1	64-QAM	22.96	22.90	23.20		
10	1	1	256-QAM	20.75	20.81	20.90		
Limit	EIRP < 1W			Result			Pass	

NR n78 HPUE Maximum Average Power [dBm] (GT - LC = -0.8 dB)								
BW [MHz]	RB Size	RB Offset	Mod	Lowest	Middle	Highest	EIRP (dBm)	EIRP(W)
15	1	1	PI/2 BPSK	25.47	25.52	25.56	24.82	0.3034
15	1	36		25.45	25.33	25.38		
15	18	9		25.29	25.33	25.57		
15	1	0		21.93	21.92	22.03		
15	1	37		21.85	21.74	21.85		
15	36	0		24.78	24.82	25.02		
15	1	1	QPSK	25.51	25.48	25.62		
15	1	36		25.41	25.29	25.44		
15	18	9		25.29	25.33	25.57		
15	1	0		21.97	21.94	22.06		
15	1	37		21.88	21.75	21.86		
15	36	0		24.27	24.34	24.53		
15	1	1	16-QAM	24.48	24.41	24.56	23.76	0.2377
15	1	1	64-QAM	23.08	23.06	23.04		
15	1	1	256-QAM	20.81	20.79	21.10		
Limit	EIRP < 1W			Result			Pass	



NR n78 HPUE Maximum Average Power [dBm] (GT - LC = -0.8 dB)										
BW [MHz]	RB Size	RB Offset	Mod	Lowest	Middle	Highest	EIRP (dBm)	EIRP(W)		
20	1	1	PI/2 BPSK	25.57	25.44	25.47	24.77	0.2999		
20	1	49		25.51	25.30	25.34				
20	25	12		25.38	25.34	25.54				
20	1	0		22.02	21.94	21.95				
20	1	50		21.88	21.77	21.80				
20	50	0		24.82	24.82	25.02				
20	1	1	QPSK	25.51	25.49	25.51			23.76	0.2377
20	1	49		25.44	25.31	25.36				
20	25	12		25.35	25.36	25.53				
20	1	0		22.02	21.96	21.99				
20	1	50		21.91	21.76	21.82				
20	50	0		24.35	24.31	24.51				
20	1	1	16-QAM	24.56	24.50	24.45	23.76	0.2377		
20	1	1	64-QAM	23.15	23.12	22.99				
20	1	1	256-QAM	21.05	20.88	20.98				
Limit	EIRP < 1W			Result			Pass			

NR n78 HPUE Maximum Average Power [dBm] (GT - LC = -0.8 dB)										
BW [MHz]	RB Size	RB Offset	Mod	Lowest	Middle	Highest	EIRP (dBm)	EIRP(W)		
25	1	1	PI/2 BPSK	25.61	25.53	25.45	24.83	0.3041		
25	1	63		25.49	25.30	25.31				
25	32	16		25.57	25.32	25.51				
25	1	0		22.06	21.98	21.92				
25	1	64		21.90	21.72	21.73				
25	64	0		25.03	24.79	24.98				
25	1	1	QPSK	25.63	25.49	25.47			23.86	0.2432
25	1	63		25.45	25.27	25.28				
25	32	16		25.57	25.31	25.51				
25	1	0		22.06	22.00	21.92				
25	1	64		21.90	21.75	21.70				
25	64	0		24.55	24.35	24.49				
25	1	1	16-QAM	24.47	24.66	24.53	23.86	0.2432		
25	1	1	64-QAM	23.07	22.98	22.89				
25	1	1	256-QAM	20.98	20.93	20.97				
Limit	EIRP < 1W			Result			Pass			



NR n78 HPUE Maximum Average Power [dBm] (GT - LC = -0.8 dB)										
BW [MHz]	RB Size	RB Offset	Mod	Lowest	Middle	Highest	EIRP (dBm)	EIRP(W)		
30	1	1	PI/2 BPSK	25.56	25.66	25.55	24.86	0.3062		
30	1	76		25.35	25.39	25.49				
30	36	18		25.44	25.47	25.63				
30	1	0		21.98	22.10	22.04				
30	1	77		21.76	21.82	21.99				
30	75	0		24.93	24.93	25.22				
30	1	1	QPSK	25.60	25.63	25.59			23.99	0.2506
30	1	76		25.38	25.37	25.49				
30	36	18		25.52	25.44	25.63				
30	1	0		21.90	22.13	21.98				
30	1	77		21.69	21.83	21.97				
30	75	0		24.43	24.41	24.70				
30	1	1	16-QAM	24.65	24.79	24.55	23.99	0.2506		
30	1	1	64-QAM	23.08	23.19	22.93				
30	1	1	256-QAM	21.07	20.97	21.02				
Limit	EIRP < 1W			Result			Pass			

NR n78 HPUE Maximum Average Power [dBm] (GT - LC = -0.8 dB)										
BW [MHz]	RB Size	RB Offset	Mod	Lowest	Middle	Highest	EIRP (dBm)	EIRP(W)		
40	1	1	PI/2 BPSK	25.59	25.64	25.50	24.84	0.3048		
40	1	104		25.38	25.21	25.32				
40	50	25		25.57	25.43	25.53				
40	1	0		22.15	22.10	22.02				
40	1	105		21.90	21.66	21.80				
40	100	0		25.07	24.90	25.03				
40	1	1	QPSK	25.58	25.58	25.51			23.88	0.2443
40	1	104		25.43	25.18	25.33				
40	50	25		25.57	25.43	25.53				
40	1	0		22.09	22.02	21.99				
40	1	105		21.84	21.62	21.82				
40	100	0		24.61	24.42	24.52				
40	1	1	16-QAM	24.54	24.68	24.43	23.88	0.2443		
40	1	1	64-QAM	23.12	23.21	23.13				
40	1	1	256-QAM	21.03	21.00	20.96				
Limit	EIRP < 1W			Result			Pass			



NR n78 HPUE Maximum Average Power [dBm] (GT - LC = -0.8 dB)										
BW [MHz]	RB Size	RB Offset	Mod	Lowest	Middle	Highest	EIRP (dBm)	EIRP(W)		
50	1	1	PI/2 BPSK	25.59	25.66	25.43	24.86	0.3062		
50	1	131		25.10	25.23	25.18				
50	64	32		25.47	25.41	25.34				
50	1	0		22.08	22.08	21.94				
50	1	132		21.64	21.69	21.68				
50	128	0		24.95	24.87	24.83				
50	1	1	QPSK	25.63	25.62	25.50			24.86	0.3062
50	1	131		25.16	25.19	25.25				
50	64	32		25.44	25.43	25.37				
50	1	0		22.11	22.12	21.97				
50	1	132		21.61	21.64	21.71				
50	128	0		24.46	24.37	24.32				
50	1	1	16-QAM	24.68	24.63	24.45	23.88	0.2443		
50	1	1	64-QAM	23.17	23.21	22.90				
50	1	1	256-QAM	21.08	21.06	20.89				
Limit	EIRP < 1W			Result			Pass			

NR n78 HPUE Maximum Average Power [dBm] (GT - LC = -0.8 dB)										
BW [MHz]	RB Size	RB Offset	Mod	Lowest	Middle	Highest	EIRP (dBm)	EIRP(W)		
60	1	1	PI/2 BPSK	25.67	25.55	25.63	24.87	0.3069		
60	1	160		25.23	25.20	25.20				
60	81	40		25.55	25.39	25.35				
60	1	0		22.18	22.08	22.09				
60	1	161		21.69	21.73	21.68				
60	162	0		25.03	24.85	24.85				
60	1	1	QPSK	25.65	25.53	25.56			24.87	0.3069
60	1	160		25.12	25.22	25.20				
60	81	40		25.51	25.39	25.37				
60	1	0		22.17	22.05	22.07				
60	1	161		21.69	21.71	21.68				
60	162	0		24.56	24.36	24.36				
60	1	1	16-QAM	24.46	24.59	24.59	23.79	0.2393		
60	1	1	64-QAM	23.10	23.19	23.10				
60	1	1	256-QAM	21.01	21.01	20.97				
Limit	EIRP < 1W			Result			Pass			



NR n78 HPUE Maximum Average Power [dBm] (GT - LC = -0.8 dB)										
BW [MHz]	RB Size	RB Offset	Mod	Lowest	Middle	Highest	EIRP (dBm)	EIRP(W)		
70	1	1	PI/2 BPSK	25.59	25.65	25.64	24.91	0.3097		
70	1	187		24.93	25.18	25.19				
70	90	45		25.49	25.38	25.52				
70	1	0		22.13	22.15	22.17				
70	1	188		21.49	21.72	21.70				
70	180	0		24.98	24.87	24.97				
70	1	1	QPSK	25.64	25.63	25.71			24.91	0.3097
70	1	187		25.00	25.14	25.23				
70	90	45		25.49	25.39	25.58				
70	1	0		22.18	22.14	22.19				
70	1	188		21.50	21.71	21.74				
70	180	0		24.46	24.37	24.49				
70	1	1	16-QAM	24.62	24.69	24.58	23.89	0.2449		
70	1	1	64-QAM	23.19	23.18	23.14				
70	1	1	256-QAM	21.17	21.19	21.11				
Limit	EIRP < 1W			Result			Pass			

NR n78 HPUE Maximum Average Power [dBm] (GT - LC = -0.8 dB)										
BW [MHz]	RB Size	RB Offset	Mod	Lowest	Middle	Highest	EIRP (dBm)	EIRP(W)		
80	1	1	PI/2 BPSK	25.54	25.42	25.49	24.78	0.3006		
80	1	215		25.05	24.84	25.04				
80	108	54		25.48	25.37	25.43				
80	1	0		22.16	22.01	22.11				
80	1	216		21.64	21.45	21.62				
80	216	0		24.96	24.83	24.89				
80	1	1	QPSK	25.58	25.47	25.57			24.78	0.3006
80	1	215		25.10	24.90	25.06				
80	108	54		25.50	25.37	25.45				
80	1	0		22.16	22.05	22.11				
80	1	216		21.68	21.44	21.63				
80	216	0		24.45	24.34	24.40				
80	1	1	16-QAM	24.57	24.44	24.63	23.83	0.2415		
80	1	1	64-QAM	23.12	23.16	23.11				
80	1	1	256-QAM	21.02	20.98	21.05				
Limit	EIRP < 1W			Result			Pass			



NR n78 HPUE Maximum Average Power [dBm] (GT - LC = -0.8 dB)										
BW [MHz]	RB Size	RB Offset	Mod	Lowest	Middle	Highest	EIRP (dBm)	EIRP(W)		
90	1	1	PI/2 BPSK	25.61	25.45	25.46	24.89	0.3083		
90	1	243		25.06	25.02	25.02				
90	120	60		25.42	25.37	25.48				
90	1	0		22.18	22.07	22.06				
90	1	244		21.67	21.60	21.63				
90	243	0		24.90	24.84	24.89				
90	1	1	QPSK	25.69	25.53	25.56			24.89	0.3083
90	1	243		25.17	25.08	25.18				
90	120	60		25.42	25.38	25.49				
90	1	0		22.20	22.04	22.09				
90	1	244		21.67	21.59	21.64				
90	243	0		24.37	24.36	24.43				
90	1	1	16-QAM	24.56	24.48	24.53	23.76	0.2377		
90	1	1	64-QAM	23.16	23.02	23.03				
90	1	1	256-QAM	21.17	21.17	21.01				
Limit	EIRP < 1W			Result			Pass			

NR n78 HPUE Maximum Average Power [dBm] (GT - LC = -0.8 dB)										
BW [MHz]	RB Size	RB Offset	Mod	Lowest	Middle	Highest	EIRP (dBm)	EIRP(W)		
100	1	1	PI/2 BPSK	-	25.70	-	24.96	0.3133		
100	1	271		-	25.08	-				
100	135	67		-	25.37	-				
100	1	0		-	22.21	-				
100	1	272		-	21.57	-				
100	270	0		-	24.81	-				
100	1	1	QPSK	-	25.76	-			24.96	0.3133
100	1	271		-	25.17	-				
100	135	67		-	25.37	-				
100	1	0		-	22.08	-				
100	1	272		-	21.44	-				
100	270	0		-	24.32	-				
100	1	1	16-QAM	-	24.79	-	23.99	0.2506		
100	1	1	64-QAM	-	23.26	-				
100	1	1	256-QAM	-	21.18	-				
Limit	EIRP < 1W			Result			Pass			



<MIMO Mode>
MIMO <Ant.6+1>

Part27Q NR n77 Maximum Average Power [dBm], DG = -2.86 dBi														
BW (MHz)	RB Size	RB Offset	Mod	Antenna 6			Antenna 1			Combine			EIRP (dBm)	EIRP (W)
				Lowest	Middle	Highest	Lowest	Middle	Highest	Lowest	Middle	Highest		
10	1	1	QPSK	24.15	24.35	24.27	24.01	24.23	24.36	27.09	27.30	27.33	24.56	0.2858
10	1	22		24.10	24.33	24.37	24.05	24.22	24.31	27.09	27.29	27.35		
10	12	6		24.05	24.14	24.44	24.11	24.19	24.37	27.09	27.18	27.42		
10	1	0		20.59	20.79	20.69	20.40	20.69	20.76	23.51	23.75	23.74		
10	1	23		20.52	20.73	20.81	20.49	20.62	20.70	23.52	23.69	23.77		
10	24	0		21.03	21.24	21.42	21.08	21.22	21.31	24.07	24.24	24.38		
10	1	1	16-QAM	23.55	23.71	23.64	23.50	23.59	23.85	26.54	26.66	26.76	23.9	0.2455
10	1	1	64-QAM	21.86	22.28	22.12	21.94	22.15	22.39	24.91	25.23	25.27		
10	1	1	256-QAM	17.41	17.64	17.83	17.30	17.72	17.65	20.37	20.69	20.75		
Limit	EIRP < 1W			Result									Pass	

Part27Q NR n77 Maximum Average Power [dBm], DG = -2.86 dBi														
BW (MHz)	RB Size	RB Offset	Mod	Antenna 6			Antenna 1			Combine			EIRP (dBm)	EIRP (W)
				Lowest	Middle	Highest	Lowest	Middle	Highest	Lowest	Middle	Highest		
15	1	1	QPSK	23.87	24.01	24.20	23.52	23.90	23.88	26.71	26.97	27.05	24.19	0.2624
15	1	36		23.89	23.84	23.92	23.54	23.59	23.74	26.73	26.73	26.84		
15	19	9		23.97	24.06	24.12	23.67	23.76	23.80	26.83	26.92	26.97		
15	1	0		20.46	20.52	20.80	19.96	20.31	20.37	23.23	23.43	23.60		
15	1	37		20.40	20.30	20.36	19.92	20.10	20.14	23.18	23.21	23.26		
15	38	0		20.86	20.98	21.07	20.61	20.67	20.75	23.75	23.84	23.92		
15	1	1	16-QAM	23.38	23.34	23.58	22.97	23.50	23.43	26.19	26.43	26.52	23.66	0.2323
15	1	1	64-QAM	21.70	21.93	22.12	21.45	21.97	21.80	24.59	24.96	24.97		
15	1	1	256-QAM	17.42	17.36	17.66	16.98	17.16	17.33	20.22	20.27	20.51		
Limit	EIRP < 1W			Result									Pass	



Part27Q NR n77 Maximum Average Power [dBm], DG = -2.86 dBi														
BW (MHz)	RB Size	RB Offset	Mod	Antenna 6			Antenna 1			Combine			EIRP (dBm)	EIRP (W)
				Lowest	Middle	Highest	Lowest	Middle	Highest	Lowest	Middle	Highest		
20	1	1	QPSK	23.98	24.01	24.15	23.62	23.92	23.85	26.81	26.98	27.01	24.2	0.263
20	1	49		23.86	23.83	23.87	23.62	23.41	23.66	26.75	26.64	26.78		
20	25	12		23.95	24.03	24.19	23.74	23.76	23.90	26.86	26.91	27.06		
20	1	0		20.43	20.47	20.69	20.02	20.38	20.33	23.24	23.44	23.52		
20	1	50		20.28	20.29	20.31	20.03	19.78	20.11	23.17	23.05	23.22		
20	51	0		20.89	20.96	21.01	20.70	20.76	20.75	23.81	23.87	23.89		
20	1	1	16-QAM	23.41	23.46	23.66	22.93	23.61	23.43	26.19	26.55	26.56	23.7	0.2344
20	1	1	64-QAM	21.87	22.22	21.92	21.55	22.04	21.88	24.72	25.14	24.91		
20	1	1	256-QAM	17.16	17.39	17.41	16.82	17.36	17.23	20.00	20.39	20.33		
Limit	EIRP < 1W			Result									Pass	

Part27Q NR n77 Maximum Average Power [dBm], DG = -2.86 dBi														
BW (MHz)	RB Size	RB Offset	Mod	Antenna 6			Antenna 1			Combine			EIRP (dBm)	EIRP (W)
				Lowest	Middle	Highest	Lowest	Middle	Highest	Lowest	Middle	Highest		
25	1	1	QPSK	24.00	24.11	24.12	23.61	23.89	23.96	26.82	27.01	27.05	24.19	0.2624
25	1	63		23.79	23.81	23.76	23.63	23.25	23.73	26.72	26.55	26.76		
25	33	16		23.93	23.97	24.08	23.62	23.75	23.87	26.79	26.87	26.99		
25	1	0		20.49	20.62	20.71	20.09	20.34	20.43	23.30	23.49	23.58		
25	1	64		20.26	20.19	20.22	20.06	19.79	20.09	23.17	23.00	23.17		
25	65	0		20.91	20.94	21.05	20.56	20.76	20.79	23.75	23.86	23.93		
25	1	1	16-QAM	23.43	23.59	23.52	23.08	23.45	23.32	26.27	26.53	26.43	23.67	0.2328
25	1	1	64-QAM	21.75	21.92	21.96	21.46	21.95	21.98	24.62	24.95	24.98		
25	1	1	256-QAM	17.28	17.31	17.42	16.85	17.37	17.37	20.08	20.35	20.41		
Limit	EIRP < 1W			Result									Pass	



Part27Q NR n77 Maximum Average Power [dBm], DG = -2.86 dBi														
BW (MHz)	RB Size	RB Offset	Mod	Antenna 6			Antenna 1			Combine			EIRP (dBm)	EIRP (W)
				Lowest	Middle	Highest	Lowest	Middle	Highest	Lowest	Middle	Highest		
30	1	1	QPSK	23.96	24.09	24.06	23.59	23.94	23.72	26.79	27.03	26.90	24.17	0.2612
30	1	76		23.67	23.67	23.81	23.58	23.31	23.56	26.64	26.50	26.70		
30	39	19		23.86	23.96	24.09	23.65	23.79	23.89	26.77	26.89	27.00		
30	1	0		20.45	20.68	20.55	20.08	20.34	20.17	23.28	23.52	23.37		
30	1	77		20.16	20.17	20.31	19.99	19.78	20.04	23.09	22.99	23.19		
30	78	0		20.81	20.95	21.04	20.54	20.75	20.81	23.69	23.86	23.94		
30	1	1	16-QAM	23.39	23.58	23.61	23.10	23.42	23.12	26.26	26.51	26.38	23.65	0.2317
30	1	1	64-QAM	21.81	21.94	21.84	21.52	22.04	21.79	24.68	25.00	24.83		
30	1	1	256-QAM	17.23	17.29	17.51	16.80	17.41	17.38	20.03	20.36	20.46		
Limit	EIRP < 1W			Result									Pass	

Part27Q NR n77 Maximum Average Power [dBm], DG = -2.86 dBi														
BW (MHz)	RB Size	RB Offset	Mod	Antenna 6			Antenna 1			Combine			EIRP (dBm)	EIRP (W)
				Lowest	Middle	Highest	Lowest	Middle	Highest	Lowest	Middle	Highest		
40	1	1	QPSK	24.01	24.28	24.15	23.58	24.00	23.64	26.81	27.15	26.91	24.29	0.2685
40	1	104		23.80	23.65	23.59	23.59	23.35	23.55	26.71	26.51	26.58		
40	53	26		23.95	24.03	24.07	23.72	23.82	23.88	26.85	26.94	26.99		
40	1	0		20.54	20.79	20.59	20.04	20.42	20.10	23.31	23.62	23.36		
40	1	105		20.21	20.09	20.11	19.99	19.80	20.03	23.11	22.96	23.08		
40	106	0		20.86	21.10	21.01	20.61	20.75	20.76	23.75	23.94	23.90		
40	1	1	16-QAM	23.34	23.82	23.75	22.87	23.86	23.54	26.12	26.85	26.66	23.99	0.2506
40	1	1	64-QAM	21.69	22.21	22.07	21.56	21.93	21.65	24.64	25.08	24.88		
40	1	1	256-QAM	17.21	17.55	17.39	17.07	17.37	16.91	20.15	20.47	20.17		
Limit	EIRP < 1W			Result									Pass	



Part27Q NR n77 Maximum Average Power [dBm], DG = -2.86 dBi														
BW (MHz)	RB Size	RB Offset	Mod	Antenna 6			Antenna 1			Combine			EIRP (dBm)	EIRP (W)
				Lowest	Middle	Highest	Lowest	Middle	Highest	Lowest	Middle	Highest		
50	1	1	QPSK	23.95	27.04	24.13	23.64	23.92	23.93	26.81	28.76	27.04	25.9	0.389
50	1	131		23.69	23.55	23.60	23.50	23.25	23.40	26.61	26.41	26.51		
50	67	33		23.87	24.03	24.06	23.78	23.81	23.82	26.84	26.93	26.95		
50	1	0		20.58	20.61	20.70	20.01	20.39	20.45	23.31	23.51	23.59		
50	1	132		20.15	20.03	20.05	19.98	19.79	19.94	23.08	22.92	23.01		
50	133	0		20.81	20.96	20.95	20.69	20.78	20.65	23.76	23.88	23.81		
50	1	1	16-QAM	23.36	23.63	23.54	23.17	23.40	23.45	26.28	26.53	26.51	23.67	0.2328
50	1	1	64-QAM	21.85	22.12	22.24	21.56	21.70	21.82	24.72	24.93	25.05		
50	1	1	256-QAM	17.40	17.59	17.44	17.12	17.50	17.41	20.27	20.56	20.44		
Limit	EIRP < 1W			Result									Pass	

Part27Q NR n77 Maximum Average Power [dBm], DG = -2.86 dBi														
BW (MHz)	RB Size	RB Offset	Mod	Antenna 6			Antenna 1			Combine			EIRP (dBm)	EIRP (W)
				Lowest	Middle	Highest	Lowest	Middle	Highest	Lowest	Middle	Highest		
60	1	1	QPSK	23.96	24.09	24.15	23.72	23.89	24.08	26.85	27.00	27.13	24.27	0.2673
60	1	160		23.17	23.49	23.47	23.25	23.38	23.35	26.22	26.45	26.42		
60	81	40		23.87	24.03	23.93	23.81	23.86	23.64	26.85	26.96	26.80		
60	1	0		20.51	20.69	20.68	20.18	20.44	20.58	23.36	23.58	23.64		
60	1	161		20.00	20.05	20.00	19.44	19.79	19.86	22.74	22.93	22.94		
60	162	0		20.95	20.98	20.93	20.84	20.80	20.55	23.91	23.90	23.75		
60	1	1	16-QAM	23.54	23.50	23.49	23.30	23.33	23.58	26.43	26.43	26.55	23.69	0.2339
60	1	1	64-QAM	21.87	22.00	21.95	21.46	21.64	21.98	24.68	24.83	24.98		
60	1	1	256-QAM	17.36	17.67	17.50	17.15	17.57	17.52	20.27	20.63	20.52		
Limit	EIRP < 1W			Result									Pass	



Part27Q NR n77 Maximum Average Power [dBm], DG = -2.86 dBi														
BW (MHz)	RB Size	RB Offset	Mod	Antenna 6			Antenna 1			Combine			EIRP (dBm)	EIRP (W)
				Lowest	Middle	Highest	Lowest	Middle	Highest	Lowest	Middle	Highest		
70	1	1	QPSK	24.07	24.12	24.38	23.69	23.83	24.14	26.89	26.99	27.27	24.41	0.2761
70	1	187		23.29	23.53	23.42	23.07	23.24	23.30	26.19	26.40	26.37		
70	95	47		24.07	24.08	24.12	23.92	23.85	23.67	27.01	26.98	26.91		
70	1	0		20.61	20.71	20.96	20.20	20.37	20.67	23.42	23.55	23.83		
70	1	188		19.77	19.96	19.94	19.60	19.77	19.78	22.70	22.88	22.87		
70	189	0		20.99	21.02	21.06	20.81	20.82	20.57	23.91	23.93	23.83		
70	1	1	16-QAM	23.43	23.60	23.77	23.08	23.40	23.50	26.27	26.51	26.65	23.79	0.2393
70	1	1	64-QAM	21.91	22.22	22.16	21.65	21.74	22.23	24.79	25.00	25.21		
70	1	1	256-QAM	17.20	17.73	17.81	17.29	17.35	17.64	20.26	20.55	20.74		
Limit	EIRP < 1W			Result									Pass	

Part27Q NR n77 Maximum Average Power [dBm], DG = -2.86 dBi														
BW (MHz)	RB Size	RB Offset	Mod	Antenna 6			Antenna 1			Combine			EIRP (dBm)	EIRP (W)
				Lowest	Middle	Highest	Lowest	Middle	Highest	Lowest	Middle	Highest		
80	1	1	QPSK	24.14	24.28	24.20	23.85	24.00	24.02	27.01	27.15	27.12	24.29	0.2685
80	1	215		23.42	23.48	23.32	23.21	23.16	23.14	26.33	26.33	26.24		
80	109	54		23.95	24.05	24.07	23.91	23.87	23.60	26.94	26.97	26.85		
80	1	0		20.87	20.63	20.75	20.26	20.42	20.50	23.59	23.54	23.64		
80	1	216		19.92	19.91	19.79	19.71	19.65	19.68	22.83	22.79	22.75		
80	217	0		20.83	21.04	21.05	20.81	20.80	20.52	23.83	23.93	23.80		
80	1	1	16-QAM	23.55	23.48	23.52	23.15	23.37	23.46	26.36	26.44	26.50	23.64	0.2312
80	1	1	64-QAM	21.99	22.01	22.01	21.55	21.88	21.95	24.79	24.96	24.99		
80	1	1	256-QAM	17.44	17.41	17.64	17.05	17.32	17.39	20.26	20.38	20.53		
Limit	EIRP < 1W			Result									Pass	



Part27Q NR n77 Maximum Average Power [dBm], DG = -2.86 dBi														
BW (MHz)	RB Size	RB Offset	Mod	Antenna 6			Antenna 1			Combine			EIRP (dBm)	EIRP (W)
				Lowest	Middle	Highest	Lowest	Middle	Highest	Lowest	Middle	Highest		
90	1	1	QPSK	24.30	24.17	24.36	23.94	23.93	24.13	27.13	27.06	27.26	24.4	0.2754
90	1	243		23.37	23.35	23.27	23.19	23.17	23.19	26.29	26.27	26.24		
90	123	61		23.95	24.06	24.12	23.92	23.85	23.88	26.95	26.97	27.01		
90	1	0		20.74	20.75	20.81	20.32	20.44	20.55	23.55	23.61	23.69		
90	1	244		19.87	19.78	19.79	19.58	19.61	19.65	22.74	22.71	22.73		
90	245	0		20.91	21.06	21.07	20.85	20.81	20.75	23.89	23.95	23.92		
90	1	1	16-QAM	23.70	23.85	23.77	23.41	23.41	23.54	26.57	26.65	26.67	23.81	0.2404
90	1	1	64-QAM	21.96	22.20	22.16	21.70	22.07	22.00	24.84	25.15	25.09		
90	1	1	256-QAM	17.50	17.84	17.68	17.18	17.55	17.71	20.35	20.71	20.71		
Limit	EIRP < 1W			Result									Pass	

Part27Q NR n77 Maximum Average Power [dBm], DG = -2.86 dBi														
BW (MHz)	RB Size	RB Offset	Mod	Antenna 6			Antenna 1			Combine			EIRP (dBm)	EIRP (W)
				Lowest	Middle	Highest	Lowest	Middle	Highest	Lowest	Middle	Highest		
100	1	1	QPSK	-	24.62	-	-	24.49	-	-	27.57	-	24.71	0.2958
100	1	271		-	23.85	-	-	23.89	-	-	26.88	-		
100	137	68		-	24.21	-	-	24.19	-	-	27.21	-		
100	1	0		-	20.95	-	-	20.65	-	-	23.81	-		
100	1	272		-	20.05	-	-	19.91	-	-	22.99	-		
100	273	0		-	21.13	-	-	21.04	-	-	24.10	-		
100	1	1	16-QAM	-	24.11	-	-	23.82	-	-	26.98	-	24.12	0.2582
100	1	1	64-QAM	-	22.41	-	-	22.22	-	-	25.33	-		
100	1	1	256-QAM	-	17.84	-	-	17.69	-	-	20.78	-		
Limit	EIRP < 1W			Result									Pass	



Part27Q NR n78 Maximum Average Power [dBm], DG = -2.86 dBi														
BW (MHz)	RB Size	RB Offset	Mod	Antenna 6			Antenna 1			Combine			EIRP (dBm)	EIRP (W)
				Lowest	Middle	Highest	Lowest	Middle	Highest	Lowest	Middle	Highest		
10	1	1	QPSK	21.67	21.63	21.98	21.59	21.58	21.61	24.64	24.62	24.81	21.95	0.1567
10	1	22		21.48	21.48	21.78	21.57	21.42	21.71	24.54	24.46	24.76		
10	12	6		21.57	21.60	21.77	21.56	21.38	21.57	24.58	24.50	24.68		
10	1	0		19.65	19.67	19.86	19.60	19.57	19.61	22.64	22.63	22.75		
10	1	23		19.47	19.54	19.61	19.53	19.28	19.50	22.51	22.42	22.57		
10	24	0		20.11	20.09	20.33	20.10	19.84	20.09	23.12	22.98	23.22		
10	1	1	16-QAM	20.72	21.12	21.32	21.10	21.16	21.15	23.92	24.15	24.25	21.39	0.1377
10	1	1	64-QAM	19.65	19.63	19.85	19.42	19.47	19.55	22.55	22.56	22.71		
10	1	1	256-QAM	16.58	16.81	16.90	16.65	16.19	16.59	19.63	19.52	19.76		
Limit	EIRP < 1W			Result									Pass	

Part27Q NR n78 Maximum Average Power [dBm], DG = -2.86 dBi														
BW (MHz)	RB Size	RB Offset	Mod	Antenna 6			Antenna 1			Combine			EIRP (dBm)	EIRP (W)
				Lowest	Middle	Highest	Lowest	Middle	Highest	Lowest	Middle	Highest		
15	1	1	QPSK	21.63	21.63	21.90	21.65	21.63	21.54	24.65	24.64	24.73	21.87	0.1538
15	1	36		21.66	21.50	21.66	21.44	21.30	21.50	24.56	24.41	24.59		
15	19	9		21.65	21.59	21.86	21.59	21.38	21.52	24.63	24.50	24.70		
15	1	0		19.73	19.69	19.95	19.63	19.62	19.56	22.69	22.67	22.77		
15	1	37		19.60	19.49	19.72	19.43	19.30	19.55	22.53	22.41	22.65		
15	38	0		20.09	20.09	20.36	20.12	19.86	20.04	23.12	22.99	23.21		
15	1	1	16-QAM	21.31	21.15	21.29	21.20	21.14	21.20	24.27	24.16	24.26	21.41	0.1384
15	1	1	64-QAM	19.78	19.74	19.85	19.55	19.63	19.47	22.68	22.70	22.67		
15	1	1	256-QAM	16.66	16.64	16.69	16.54	16.57	16.38	19.61	19.62	19.55		
Limit	EIRP < 1W			Result									Pass	



Part27Q NR n78 Maximum Average Power [dBm], DG = -2.86 dBi														
BW (MHz)	RB Size	RB Offset	Mod	Antenna 6			Antenna 1			Combine			EIRP (dBm)	EIRP (W)
				Lowest	Middle	Highest	Lowest	Middle	Highest	Lowest	Middle	Highest		
20	1	1	QPSK	21.72	21.70	21.81	21.73	21.70	21.48	24.74	24.71	24.66	21.88	0.1542
20	1	49		21.72	21.62	21.62	21.46	21.28	21.45	24.60	24.46	24.55		
20	25	12		21.69	21.61	21.85	21.66	21.39	21.54	24.69	24.51	24.71		
20	1	0		19.81	19.75	19.76	19.68	19.69	19.38	22.76	22.73	22.58		
20	1	50		19.65	19.58	19.59	19.44	19.27	19.40	22.56	22.44	22.51		
20	51	0		20.13	20.09	20.33	20.19	19.88	19.99	23.17	23.00	23.17		
20	1	1	16-QAM	21.14	21.18	21.44	21.21	21.37	21.18	24.19	24.29	24.32	21.46	0.1400
20	1	1	64-QAM	19.90	19.80	19.83	19.85	19.61	19.23	22.89	22.72	22.55		
20	1	1	256-QAM	16.60	16.59	16.73	16.76	16.58	16.37	19.69	19.60	19.56		
Limit	EIRP < 1W			Result									Pass	

Part27Q NR n78 Maximum Average Power [dBm], DG = -2.86 dBi														
BW (MHz)	RB Size	RB Offset	Mod	Antenna 6			Antenna 1			Combine			EIRP (dBm)	EIRP (W)
				Lowest	Middle	Highest	Lowest	Middle	Highest	Lowest	Middle	Highest		
25	1	1	QPSK	21.79	21.77	21.75	21.82	21.59	21.46	24.82	24.69	24.62	21.96	0.1570
25	1	63		21.64	21.54	21.59	21.42	21.29	21.36	24.54	24.43	24.49		
25	33	16		21.87	21.62	21.86	21.60	21.42	21.48	24.75	24.53	24.68		
25	1	0		19.87	19.82	19.78	19.82	19.62	19.45	22.86	22.73	22.63		
25	1	64		19.67	19.60	19.55	19.41	19.25	19.33	22.55	22.44	22.45		
25	65	0		20.34	20.08	20.35	20.10	19.89	19.97	23.23	23.00	23.17		
25	1	1	16-QAM	21.32	21.12	21.28	21.38	21.13	21.09	24.36	24.14	24.20	21.5	0.1413
25	1	1	64-QAM	19.83	19.78	19.82	20.01	19.67	19.45	22.93	22.74	22.65		
25	1	1	256-QAM	16.84	16.59	16.69	16.67	16.49	16.34	19.77	19.55	19.53		
Limit	EIRP < 1W			Result									Pass	



Part27Q NR n78 Maximum Average Power [dBm], DG = -2.86 dBi														
BW (MHz)	RB Size	RB Offset	Mod	Antenna 6			Antenna 1			Combine			EIRP (dBm)	EIRP (W)
				Lowest	Middle	Highest	Lowest	Middle	Highest	Lowest	Middle	Highest		
30	1	1	QPSK	21.74	21.80	21.72	21.66	21.56	21.38	24.71	24.69	24.56	21.96	0.1570
30	1	76		21.52	21.56	21.61	21.24	21.26	21.54	24.39	24.42	24.59		
30	39	19		21.78	21.63	21.98	21.47	21.45	21.64	24.64	24.55	24.82		
30	1	0		19.83	19.87	19.79	19.71	19.56	19.55	22.78	22.73	22.68		
30	1	77		19.52	19.64	19.69	19.27	19.23	19.54	22.41	22.45	22.63		
30	78	0		20.24	20.11	20.45	19.92	19.90	20.13	23.09	23.02	23.30		
30	1	1	16-QAM	21.34	21.28	21.22	20.99	21.11	20.74	24.18	24.21	24.00	21.35	0.1365
30	1	1	64-QAM	19.81	19.74	19.69	19.60	19.48	19.56	22.72	22.62	22.64		
30	1	1	256-QAM	16.81	16.78	16.65	16.76	16.46	16.52	19.80	19.63	19.60		
Limit	EIRP < 1W			Result									Pass	

Part27Q NR n78 Maximum Average Power [dBm], DG = -2.86 dBi														
BW (MHz)	RB Size	RB Offset	Mod	Antenna 6			Antenna 1			Combine			EIRP (dBm)	EIRP (W)
				Lowest	Middle	Highest	Lowest	Middle	Highest	Lowest	Middle	Highest		
40	1	1	QPSK	21.95	21.84	21.75	21.67	21.53	21.46	24.82	24.70	24.62	21.96	0.1570
40	1	104		21.60	21.36	21.48	21.29	21.08	21.31	24.46	24.23	24.41		
40	53	26		21.86	21.65	21.76	21.48	21.44	21.45	24.68	24.56	24.62		
40	1	0		19.87	19.81	19.72	19.63	19.45	19.26	22.76	22.64	22.51		
40	1	105		19.65	19.44	19.60	19.26	19.10	19.31	22.47	22.28	22.47		
40	106	0		20.33	20.11	20.25	19.91	19.87	19.94	23.14	23.00	23.11		
40	1	1	16-QAM	21.52	21.53	21.54	21.34	21.43	20.80	24.44	24.49	24.20	21.63	0.1455
40	1	1	64-QAM	19.80	19.96	19.68	19.68	19.57	19.19	22.75	22.78	22.45		
40	1	1	256-QAM	16.97	16.82	16.69	16.44	16.39	16.22	19.72	19.62	19.47		
Limit	EIRP < 1W			Result									Pass	



Part27Q NR n78 Maximum Average Power [dBm], DG = -2.86 dBi														
BW (MHz)	RB Size	RB Offset	Mod	Antenna 6			Antenna 1			Combine			EIRP (dBm)	EIRP (W)
				Lowest	Middle	Highest	Lowest	Middle	Highest	Lowest	Middle	Highest		
50	1	1	QPSK	21.90	21.85	21.73	21.70	21.65	21.57	24.81	24.76	24.66	21.95	0.1567
50	1	131		21.29	21.56	21.45	21.09	21.18	21.37	24.20	24.38	24.42		
50	67	33		21.71	21.61	21.75	21.37	21.45	21.38	24.55	24.54	24.58		
50	1	0		19.86	19.82	19.66	19.62	19.55	19.37	22.75	22.70	22.53		
50	1	132		19.25	19.48	19.37	19.11	19.11	19.21	22.19	22.31	22.30		
50	133	0		20.18	20.11	20.18	19.84	19.93	19.83	23.02	23.03	23.02		
50	1	1	16-QAM	21.43	21.29	21.58	21.28	21.39	21.00	24.37	24.35	24.31	21.51	0.1416
50	1	1	64-QAM	19.59	19.91	19.69	20.01	19.45	19.56	22.82	22.70	22.64		
50	1	1	256-QAM	16.80	16.94	16.86	16.76	16.69	16.46	19.79	19.83	19.67		
Limit	EIRP < 1W			Result									Pass	

Part27Q NR n78 Maximum Average Power [dBm], DG = -2.86 dBi														
BW (MHz)	RB Size	RB Offset	Mod	Antenna 6			Antenna 1			Combine			EIRP (dBm)	EIRP (W)
				Lowest	Middle	Highest	Lowest	Middle	Highest	Lowest	Middle	Highest		
60	1	1	QPSK	21.95	21.92	21.83	21.82	21.59	21.81	24.90	24.77	24.83	22.04	0.1600
60	1	160		21.42	21.49	21.49	21.09	21.22	21.21	24.27	24.37	24.36		
60	81	40		21.80	21.65	21.65	21.58	21.40	21.37	24.70	24.54	24.52		
60	1	0		19.86	19.85	19.88	19.63	19.44	19.66	22.76	22.66	22.78		
60	1	161		19.43	19.53	19.49	19.17	19.22	19.28	22.31	22.39	22.40		
60	162	0		20.27	20.12	20.10	19.99	19.90	19.82	23.14	23.02	22.97		
60	1	1	16-QAM	21.31	21.46	21.46	21.34	20.76	21.05	24.34	24.13	24.27	21.48	0.1406
60	1	1	64-QAM	19.99	19.45	19.79	19.74	19.58	19.63	22.88	22.53	22.72		
60	1	1	256-QAM	16.79	16.89	16.92	16.73	16.58	16.78	19.77	19.75	19.86		
Limit	EIRP < 1W			Result									Pass	



Part27Q NR n78 Maximum Average Power [dBm], DG = -2.86 dBi														
BW (MHz)	RB Size	RB Offset	Mod	Antenna 6			Antenna 1			Combine			EIRP (dBm)	EIRP (W)
				Lowest	Middle	Highest	Lowest	Middle	Highest	Lowest	Middle	Highest		
70	1	1	QPSK	22.05	21.99	21.92	21.73	21.41	21.56	24.90	24.72	24.75	22.04	0.16
70	1	187		21.27	21.52	21.59	20.99	21.22	21.31	24.14	24.38	24.46		
70	95	47		21.69	21.70	21.81	21.36	21.46	21.53	24.54	24.59	24.68		
70	1	0		19.87	19.93	20.02	19.59	19.52	19.48	22.74	22.74	22.77		
70	1	188		19.35	19.45	19.37	19.00	19.17	19.14	22.19	22.32	22.27		
70	189	0		20.22	20.14	20.27	19.86	19.97	19.92	23.05	23.07	23.11		
70	1	1	16-QAM	21.66	21.32	21.36	21.63	21.33	21.10	24.66	24.34	24.24	21.80	0.1514
70	1	1	64-QAM	19.93	20.24	19.75	19.76	19.63	19.83	22.86	22.96	22.80		
70	1	1	256-QAM	16.80	16.93	17.14	17.15	16.72	17.40	19.99	19.84	20.28		
Limit	EIRP < 1W			Result									Pass	

Part27Q NR n78 Maximum Average Power [dBm], DG = -2.86 dBi														
BW (MHz)	RB Size	RB Offset	Mod	Antenna 6			Antenna 1			Combine			EIRP (dBm)	EIRP (W)
				Lowest	Middle	Highest	Lowest	Middle	Highest	Lowest	Middle	Highest		
80	1	1	QPSK	21.83	21.90	21.82	21.88	21.52	21.56	24.87	24.72	24.70	22.01	0.1589
80	1	215		21.50	21.09	21.48	21.08	21.13	21.05	24.31	24.12	24.28		
80	109	54		21.80	21.62	21.72	21.74	21.48	21.40	24.78	24.56	24.57		
80	1	0		19.75	19.59	19.82	19.78	19.67	19.54	22.78	22.64	22.69		
80	1	216		19.63	19.33	19.48	19.05	18.91	19.06	22.36	22.14	22.29		
80	217	0		20.31	20.12	20.16	20.19	19.93	19.87	23.26	23.04	23.03		
80	1	1	16-QAM	21.57	21.19	21.19	21.12	20.84	20.86	24.36	24.03	24.04	21.50	0.1413
80	1	1	64-QAM	20.08	19.64	20.17	19.84	19.57	19.79	22.97	22.62	22.99		
80	1	1	256-QAM	16.72	16.56	17.03	17.07	16.89	16.77	19.91	19.74	19.91		
Limit	EIRP < 1W			Result									Pass	



Part27Q NR n78 Maximum Average Power [dBm], DG = -2.86 dBi														
BW (MHz)	RB Size	RB Offset	Mod	Antenna 6			Antenna 1			Combine			EIRP (dBm)	EIRP (W)
				Lowest	Middle	Highest	Lowest	Middle	Highest	Lowest	Middle	Highest		
90	1	1	QPSK	21.93	21.97	21.82	21.85	21.87	21.85	24.90	24.93	24.85	22.07	0.1611
90	1	243		21.48	21.50	21.36	21.09	21.20	21.06	24.30	24.36	24.22		
90	123	61		21.68	21.67	21.68	21.62	21.34	21.52	24.66	24.52	24.61		
90	1	0		20.14	19.71	19.91	19.71	19.93	19.85	22.94	22.83	22.89		
90	1	244		19.70	19.52	19.41	19.21	19.03	19.28	22.47	22.29	22.36		
90	245	0		20.27	20.15	20.21	20.10	19.87	19.94	23.20	23.02	23.09		
90	1	1	16-QAM	21.69	21.51	21.13	21.06	21.20	20.88	24.40	24.37	24.02	21.54	0.1426
90	1	1	64-QAM	20.08	19.91	20.19	20.16	19.85	19.83	23.13	22.89	23.02		
90	1	1	256-QAM	16.96	17.09	16.57	17.05	16.64	17.04	20.02	19.88	19.82		
Limit	EIRP < 1W			Result									Pass	

Part27Q NR n78 Maximum Average Power [dBm], DG = -2.86 dBi														
BW (MHz)	RB Size	RB Offset	Mod	Antenna 6			Antenna 1			Combine			EIRP (dBm)	EIRP (W)
				Lowest	Middle	Highest	Lowest	Middle	Highest	Lowest	Middle	Highest		
100	1	1	QPSK	-	22.00	-	-	21.82	-	-	24.92	-	22.06	0.1607
100	1	271		-	21.35	-	-	21.00	-	-	24.19	-		
100	137	68		-	21.72	-	-	21.38	-	-	24.56	-		
100	1	0		-	20.02	-	-	19.72	-	-	22.88	-		
100	1	272		-	19.49	-	-	19.15	-	-	22.33	-		
100	273	0		-	20.20	-	-	19.98	-	-	23.10	-		
100	1	1	16-QAM	-	21.80	-	-	21.72	-	-	24.77	-	21.91	0.1552
100	1	1	64-QAM	-	20.14	-	-	19.75	-	-	22.96	-		
100	1	1	256-QAM	-	17.15	-	-	16.69	-	-	19.94	-		
Limit	EIRP < 1W			Result									Pass	



MIMO <Ant.7+5>

Part27Q NR n77 Maximum Average Power [dBm], DG = -0.43 dBi														
BW	RB	RB	Mod	Antenna 7			Antenna 5			Combine			EIRP	EIRP
(MHz)	Size	Offset		Lowest	Middle	Highest	Lowest	Middle	Highest	Lowest	Middle	Highest	(dBm)	(W)
10	1	1	QPSK	22.72	23.67	23.36	23.89	24.01	23.82	26.35	26.85	26.61	26.42	0.4385
10	1	22		22.62	23.41	23.31	23.90	23.73	23.71	26.31	26.58	26.52		
10	12	6		22.64	23.45	23.39	23.86	23.77	23.76	26.30	26.62	26.59		
10	1	0		19.15	20.16	19.91	20.38	20.50	20.35	22.82	23.34	23.15		
10	1	23		19.07	19.88	19.79	20.31	20.19	20.17	22.74	23.05	22.99		
10	24	0		19.63	20.44	20.35	20.83	20.75	20.77	23.28	23.61	23.58		
10	1	1	16-QAM	22.15	22.96	22.96	23.52	23.54	23.36	25.90	26.27	26.17	25.84	0.3837
10	1	1	64-QAM	20.56	21.67	21.32	21.81	22.17	21.65	24.24	24.94	24.50		
10	1	1	256-QAM	16.05	17.06	16.75	17.33	17.41	17.24	19.75	20.25	20.01		
Limit	EIRP < 1W			Result									Pass	

Part27Q NR n77 Maximum Average Power [dBm], DG = -0.43 dBi														
BW	RB	RB	Mod	Antenna 7			Antenna 5			Combine			EIRP	EIRP
(MHz)	Size	Offset		Lowest	Middle	Highest	Lowest	Middle	Highest	Lowest	Middle	Highest	(dBm)	(W)
15	1	1	QPSK	22.46	23.38	23.15	23.68	23.71	23.54	26.12	26.56	26.36	26.13	0.4102
15	1	36		22.24	23.04	23.02	23.56	23.40	23.38	25.96	26.23	26.21		
15	19	9		22.48	23.24	23.19	23.64	23.46	23.48	26.11	26.36	26.35		
15	1	0		18.95	19.92	19.66	20.11	20.18	20.02	22.58	23.06	22.85		
15	1	37		18.64	19.56	19.46	19.94	19.86	19.83	22.35	22.72	22.66		
15	38	0		19.45	20.23	20.12	20.61	20.46	20.45	23.08	23.36	23.30		
15	1	1	16-QAM	21.92	22.97	22.52	23.15	23.23	23.11	25.59	26.11	25.84	25.68	0.3698
15	1	1	64-QAM	20.48	21.36	21.12	21.54	21.60	21.56	24.05	24.49	24.36		
15	1	1	256-QAM	15.88	16.84	16.51	17.15	17.22	17.05	19.57	20.04	19.80		
Limit	EIRP < 1W			Result									Pass	



Part27Q NR n77 Maximum Average Power [dBm], DG = -0.43 dBi														
BW	RB	RB	Mod	Antenna 7			Antenna 5			Combine			EIRP	EIRP
(MHz)	Size	Offset		Lowest	Middle	Highest	Lowest	Middle	Highest	Lowest	Middle	Highest	(dBm)	(W)
20	1	1	QPSK	22.45	23.57	23.10	23.69	23.76	23.50	26.12	26.68	26.31	26.25	0.4217
20	1	49		22.12	23.18	22.94	23.48	23.38	23.31	25.86	26.29	26.14		
20	25	12		22.52	23.28	23.13	23.72	23.49	23.45	26.17	26.40	26.30		
20	1	0		18.98	20.08	19.64	20.15	20.25	20.00	22.61	23.18	22.83		
20	1	50		18.57	19.59	19.41	19.89	19.82	19.80	22.29	22.72	22.62		
20	51	0		19.46	20.22	20.12	20.66	20.45	20.44	23.11	23.35	23.29		
20	1	1	16-QAM	22.05	23.17	22.55	23.26	23.37	23.04	25.71	26.28	25.81	25.85	0.3846
20	1	1	64-QAM	20.61	21.60	21.08	21.52	21.90	21.46	24.10	24.76	24.28		
20	1	1	256-QAM	15.87	16.87	16.54	17.16	17.28	16.97	19.57	20.09	19.77		
Limit	EIRP < 1W			Result									Pass	

Part27Q NR n77 Maximum Average Power [dBm], DG = -0.43 dBi														
BW	RB	RB	Mod	Antenna 7			Antenna 5			Combine			EIRP	EIRP
(MHz)	Size	Offset		Lowest	Middle	Highest	Lowest	Middle	Highest	Lowest	Middle	Highest	(dBm)	(W)
25	1	1	QPSK	22.51	23.35	23.16	23.78	23.61	23.47	26.20	26.49	26.33	26.06	0.4036
25	1	63		22.12	23.04	22.92	23.45	23.29	23.16	25.85	26.18	26.05		
25	33	16		22.40	23.27	23.09	23.66	23.50	23.42	26.09	26.40	26.27		
25	1	0		19.05	19.87	19.68	20.26	20.13	19.96	22.71	23.01	22.83		
25	1	64		18.59	19.49	19.41	19.93	19.80	19.66	22.32	22.66	22.55		
25	65	0		19.34	20.20	20.08	20.60	20.45	20.39	23.03	23.34	23.25		
25	1	1	16-QAM	21.86	22.94	22.76	23.24	23.14	22.95	25.61	26.05	25.87	25.62	0.3648
25	1	1	64-QAM	20.55	21.22	21.07	21.79	21.54	21.42	24.22	24.39	24.26		
25	1	1	256-QAM	15.87	16.77	16.54	17.24	17.04	16.97	19.62	19.92	19.77		
Limit	EIRP < 1W			Result									Pass	



Part27Q NR n77 Maximum Average Power [dBm], DG = -0.43 dBi														
BW	RB	RB	Mod	Antenna 7			Antenna 5			Combine			EIRP	EIRP
(MHz)	Size	Offset		Lowest	Middle	Highest	Lowest	Middle	Highest	Lowest	Middle	Highest	(dBm)	(W)
30	1	1	QPSK	22.42	23.36	23.08	23.68	23.70	23.52	26.11	26.54	26.32	26.11	0.4083
30	1	76		21.95	22.96	22.99	23.40	23.38	23.34	25.75	26.19	26.18		
30	39	19		22.23	23.25	23.27	23.50	23.50	23.61	25.92	26.39	26.45		
30	1	0		18.94	19.88	19.61	20.14	20.16	20.01	22.59	23.03	22.82		
30	1	77		18.43	19.47	19.50	19.84	19.81	19.81	22.20	22.65	22.67		
30	78	0		19.20	20.21	20.22	20.44	20.46	20.57	22.87	23.35	23.41		
30	1	1	16-QAM	22.02	22.87	22.70	23.29	23.11	23.24	25.71	26.00	25.99	25.57	0.3606
30	1	1	64-QAM	20.26	21.50	21.06	21.54	21.62	21.52	23.96	24.57	24.31		
30	1	1	256-QAM	15.84	16.70	16.61	17.15	17.10	17.00	19.55	19.91	19.82		
Limit	EIRP < 1W			Result									Pass	

Part27Q NR n77 Maximum Average Power [dBm], DG = -0.43 dBi														
BW	RB	RB	Mod	Antenna 7			Antenna 5			Combine			EIRP	EIRP
(MHz)	Size	Offset		Lowest	Middle	Highest	Lowest	Middle	Highest	Lowest	Middle	Highest	(dBm)	(W)
40	1	1	QPSK	22.55	23.41	23.17	23.78	23.64	23.51	26.22	26.54	26.35	26.11	0.4083
40	1	104		22.05	22.91	22.94	23.52	23.22	23.24	25.86	26.08	26.10		
40	53	26		22.25	23.25	23.16	23.56	23.50	23.50	25.96	26.39	26.34		
40	1	0		19.06	19.93	19.70	20.21	20.10	19.97	22.68	23.03	22.85		
40	1	105		18.48	19.34	19.34	19.92	19.71	19.70	22.27	22.54	22.53		
40	106	0		19.21	20.23	20.12	20.48	20.46	20.44	22.90	23.36	23.29		
40	1	1	16-QAM	22.05	22.96	22.66	23.23	23.27	22.98	25.69	26.13	25.83	25.7	0.3715
40	1	1	64-QAM	20.54	21.35	21.07	21.67	21.54	21.53	24.15	24.46	24.32		
40	1	1	256-QAM	15.94	16.79	16.50	17.12	17.04	17.01	19.58	19.93	19.77		
Limit	EIRP < 1W			Result									Pass	



Part27Q NR n77 Maximum Average Power [dBm], DG = -0.43 dBi														
BW	RB	RB	Mod	Antenna 7			Antenna 5			Combine			EIRP	EIRP
(MHz)	Size	Offset		Lowest	Middle	Highest	Lowest	Middle	Highest	Lowest	Middle	Highest	(dBm)	(W)
50	1	1	QPSK	22.46	23.44	23.25	23.70	23.62	23.50	26.13	26.54	26.39	26.11	0.4083
50	1	131		21.76	22.86	22.78	23.28	23.15	23.08	25.60	26.02	25.94		
50	67	33		22.11	23.27	23.12	23.46	23.52	23.43	25.85	26.41	26.29		
50	1	0		19.03	19.90	19.77	20.19	20.10	19.98	22.66	23.01	22.89		
50	1	132		18.24	19.30	19.25	19.74	19.62	19.50	22.06	22.47	22.39		
50	133	0		19.11	20.20	20.05	20.45	20.45	20.36	22.84	23.34	23.22		
50	1	1	16-QAM	22.03	22.95	22.66	23.24	23.21	23.26	25.69	26.09	25.98	25.66	0.3681
50	1	1	64-QAM	20.47	21.28	21.24	21.62	21.53	21.51	24.09	24.42	24.39		
50	1	1	256-QAM	15.96	16.91	16.60	17.03	17.09	17.09	19.54	20.01	19.86		
Limit	EIRP < 1W			Result									Pass	

Part27Q NR n77 Maximum Average Power [dBm], DG = -0.43 dBi														
BW	RB	RB	Mod	Antenna 7			Antenna 5			Combine			EIRP	EIRP
(MHz)	Size	Offset		Lowest	Middle	Highest	Lowest	Middle	Highest	Lowest	Middle	Highest	(dBm)	(W)
60	1	1	QPSK	22.56	23.35	23.54	23.74	23.57	23.86	26.20	26.47	26.71	26.28	0.4246
60	1	160		21.69	22.81	22.76	23.21	23.19	23.14	25.53	26.01	25.96		
60	81	40		22.22	23.26	23.07	23.62	23.51	23.40	25.99	26.40	26.25		
60	1	0		19.09	19.86	20.07	20.26	20.09	20.39	22.72	22.99	23.24		
60	1	161		18.16	19.31	19.28	19.73	19.68	19.62	22.03	22.51	22.46		
60	162	0		19.15	20.20	20.03	20.55	20.44	20.35	22.92	23.33	23.20		
60	1	1	16-QAM	22.04	22.80	22.99	23.39	23.13	23.26	25.78	25.98	26.14	25.71	0.3724
60	1	1	64-QAM	20.59	21.37	21.61	21.69	21.43	21.88	24.19	24.41	24.76		
60	1	1	256-QAM	15.93	16.90	17.05	17.31	17.04	17.40	19.68	19.98	20.24		
Limit	EIRP < 1W			Result									Pass	



Part27Q NR n77 Maximum Average Power [dBm], DG = -0.43 dBi														
BW	RB	RB	Mod	Antenna 7			Antenna 5			Combine			EIRP	EIRP
(MHz)	Size	Offset		Lowest	Middle	Highest	Lowest	Middle	Highest	Lowest	Middle	Highest	(dBm)	(W)
70	1	1	QPSK	22.55	23.53	23.46	23.78	23.63	23.74	26.22	26.59	26.61	26.18	0.415
70	1	187		21.50	22.83	22.82	23.08	23.13	23.12	25.37	25.99	25.98		
70	95	47		22.11	23.24	23.22	23.52	23.51	23.55	25.88	26.39	26.40		
70	1	0		19.04	20.09	20.02	20.31	20.14	20.27	22.73	23.13	23.16		
70	1	188		17.91	19.30	19.34	19.55	19.60	19.61	21.82	22.46	22.49		
70	189	0		19.08	20.19	20.13	20.47	20.43	20.49	22.84	23.32	23.32		
70	1	1	16-QAM	21.94	22.95	22.97	23.13	23.22	23.37	25.59	26.10	26.18	25.75	0.3758
70	1	1	64-QAM	20.51	21.59	21.46	21.74	21.52	21.90	24.18	24.57	24.70		
70	1	1	256-QAM	16.07	16.97	16.82	17.40	17.14	17.24	19.80	20.07	20.05		
Limit	EIRP < 1W			Result									Pass	

Part27Q NR n77 Maximum Average Power [dBm], DG = -0.43 dBi														
BW	RB	RB	Mod	Antenna 7			Antenna 5			Combine			EIRP	EIRP
(MHz)	Size	Offset		Lowest	Middle	Highest	Lowest	Middle	Highest	Lowest	Middle	Highest	(dBm)	(W)
80	1	1	QPSK	22.65	23.71	23.43	23.88	23.78	23.67	26.32	26.76	26.56	26.33	0.4295
80	1	215		21.63	22.78	22.70	23.13	23.07	23.04	25.45	25.94	25.88		
80	109	54		22.40	23.24	23.17	23.83	23.50	23.47	26.18	26.38	26.33		
80	1	0		19.18	20.18	19.98	20.39	20.30	20.18	22.84	23.25	23.09		
80	1	216		18.10	19.23	19.15	19.73	19.61	19.61	22.00	22.43	22.40		
80	217	0		19.36	20.19	20.09	20.78	20.43	20.39	23.14	23.32	23.25		
80	1	1	16-QAM	22.17	23.19	22.97	23.41	23.36	23.01	25.84	26.29	26.00	25.86	0.3855
80	1	1	64-QAM	20.83	21.90	21.57	21.87	21.86	21.67	24.39	24.89	24.63		
80	1	1	256-QAM	16.09	17.17	16.87	17.44	17.18	17.28	19.83	20.19	20.09		
Limit	EIRP < 1W			Result									Pass	



Part27Q NR n77 Maximum Average Power [dBm], DG = -0.43 dBi														
BW	RB	RB	Mod	Antenna 7			Antenna 5			Combine			EIRP	EIRP
(MHz)	Size	Offset		Lowest	Middle	Highest	Lowest	Middle	Highest	Lowest	Middle	Highest	(dBm)	(W)
90	1	1	QPSK	22.65	23.98	23.78	23.91	23.85	23.85	26.34	26.93	26.83	26.5	0.4467
90	1	243		21.48	22.70	22.71	23.13	23.00	22.91	25.39	25.86	25.82		
90	123	61		22.21	23.23	23.28	23.64	23.50	23.58	25.99	26.38	26.44		
90	1	0		19.19	20.35	20.21	20.41	20.33	20.36	22.85	23.35	23.30		
90	1	244		18.00	19.20	19.22	19.63	19.50	19.48	21.90	22.36	22.36		
90	245	0		19.19	20.20	20.21	20.59	20.41	20.48	22.96	23.32	23.36		
90	1	1	16-QAM	22.21	23.28	23.29	23.56	23.40	23.47	25.95	26.35	26.39	25.96	0.3945
90	1	1	64-QAM	20.56	21.77	21.69	21.77	21.82	21.84	24.22	24.81	24.78		
90	1	1	256-QAM	16.20	17.42	17.31	17.35	17.33	17.48	19.82	20.39	20.41		
Limit	EIRP < 1W			Result									Pass	

Part27Q NR n77 Maximum Average Power [dBm], DG = -0.43 dBi														
BW	RB	RB	Mod	Antenna 7			Antenna 5			Combine			EIRP	EIRP
(MHz)	Size	Offset		Lowest	Middle	Highest	Lowest	Middle	Highest	Lowest	Middle	Highest	(dBm)	(W)
100	1	1	QPSK	-	24.23	-	-	24.00	-	-	27.13	-	26.7	0.4677
100	1	271		-	22.88	-	-	23.06	-	-	25.98	-		
100	137	68		-	23.25	-	-	23.47	-	-	26.37	-		
100	1	0		-	20.49	-	-	20.31	-	-	23.41	-		
100	1	272		-	19.19	-	-	19.52	-	-	22.37	-		
100	273	0		-	20.21	-	-	20.43	-	-	23.33	-		
100	1	1	16-QAM	-	23.67	-	-	23.67	-	-	26.68	-	26.25	0.4217
100	1	1	64-QAM	-	22.01	-	-	21.81	-	-	24.92	-		
100	1	1	256-QAM	-	17.32	-	-	17.47	-	-	20.41	-		
Limit	EIRP < 1W			Result									Pass	



Part27Q NR n78 Maximum Average Power [dBm], DG = -0.43 dBi														
BW	RB	RB	Mod	Antenna 7			Antenna 5			Combine			EIRP	EIRP
(MHz)	Size	Offset		Lowest	Middle	Highest	Lowest	Middle	Highest	Lowest	Middle	Highest	(dBm)	(W)
10	1	1	QPSK	20.40	21.31	21.15	21.39	21.72	21.46	23.93	24.53	24.32	24.1	0.257
10	1	22		20.25	21.09	20.96	21.36	21.49	21.39	23.85	24.30	24.19		
10	12	6		20.38	21.18	21.05	21.42	21.51	21.53	23.94	24.36	24.31		
10	1	0		18.39	19.39	19.12	19.45	19.71	19.30	21.96	22.56	22.22		
10	1	23		18.30	19.08	18.92	19.39	19.35	19.40	21.89	22.23	22.18		
10	24	0		18.85	19.66	19.51	19.93	19.96	19.97	22.43	22.82	22.76		
10	1	1	16-QAM	19.85	20.69	20.51	21.13	21.26	21.07	23.55	23.99	23.81	23.56	0.227
10	1	1	64-QAM	18.41	19.30	19.08	19.58	19.41	19.50	22.04	22.37	22.31		
10	1	1	256-QAM	15.29	16.19	15.98	16.35	16.54	16.53	18.86	19.38	19.27		
Limit	EIRP < 1W			Result									Pass	

Part27Q NR n78 Maximum Average Power [dBm], DG = -0.43 dBi														
BW	RB	RB	Mod	Antenna 7			Antenna 5			Combine			EIRP	EIRP
(MHz)	Size	Offset		Lowest	Middle	Highest	Lowest	Middle	Highest	Lowest	Middle	Highest	(dBm)	(W)
15	1	1	QPSK	20.41	21.37	21.06	21.48	21.72	21.48	23.99	24.56	24.29	24.13	0.2588
15	1	36		20.13	21.01	20.89	21.37	21.42	21.32	23.80	24.23	24.12		
15	19	9		20.39	21.22	21.07	21.44	21.43	21.43	23.96	24.34	24.26		
15	1	0		18.40	19.45	19.14	19.47	19.76	19.50	21.98	22.62	22.33		
15	1	37		18.13	19.01	18.91	19.30	19.41	19.25	21.76	22.22	22.09		
15	38	0		18.88	19.64	19.59	19.96	19.96	19.92	22.46	22.81	22.77		
15	1	1	16-QAM	19.86	20.91	20.58	20.95	21.25	21.03	23.45	24.09	23.82	23.66	0.2323
15	1	1	64-QAM	18.53	19.54	19.09	19.51	19.68	19.63	22.06	22.62	22.38		
15	1	1	256-QAM	15.29	16.37	15.98	16.52	16.77	16.51	18.96	19.58	19.26		
Limit	EIRP < 1W			Result									Pass	



Part27Q NR n78 Maximum Average Power [dBm], DG = -0.43 dBi														
BW	RB	RB	Mod	Antenna 7			Antenna 5			Combine			EIRP	EIRP
(MHz)	Size	Offset		Lowest	Middle	Highest	Lowest	Middle	Highest	Lowest	Middle	Highest	(dBm)	(W)
20	1	1	QPSK	20.44	21.47	21.03	21.53	21.80	21.41	24.03	24.65	24.23	24.22	0.2642
20	1	49		20.07	21.02	20.87	21.38	21.41	21.26	23.78	24.23	24.08		
20	25	12		20.43	21.20	21.05	21.56	21.47	21.40	24.04	24.35	24.24		
20	1	0		18.45	19.51	19.10	19.56	19.75	19.50	22.05	22.64	22.31		
20	1	50		18.06	18.99	18.90	19.36	19.22	19.28	21.77	22.12	22.10		
20	51	0		18.89	19.67	19.53	20.05	19.97	19.91	22.52	22.83	22.73		
20	1	1	16-QAM	19.87	20.87	20.54	21.06	21.24	20.87	23.52	24.07	23.72	23.64	0.2312
20	1	1	64-QAM	18.48	19.54	19.13	19.53	19.74	19.35	22.05	22.65	22.25		
20	1	1	256-QAM	15.30	16.30	15.97	16.54	16.78	16.56	18.97	19.56	19.29		
Limit	EIRP < 1W			Result									Pass	

Part27Q NR n78 Maximum Average Power [dBm], DG = -0.43 dBi														
BW	RB	RB	Mod	Antenna 7			Antenna 5			Combine			EIRP	EIRP
(MHz)	Size	Offset		Lowest	Middle	Highest	Lowest	Middle	Highest	Lowest	Middle	Highest	(dBm)	(W)
25	1	1	QPSK	20.51	21.35	20.98	21.62	21.59	21.47	24.11	24.48	24.24	24.05	0.2541
25	1	63		20.03	20.92	20.72	21.31	21.30	21.12	23.73	24.12	23.93		
25	33	16		20.33	21.16	20.99	21.49	21.48	21.36	23.96	24.33	24.19		
25	1	0		18.51	19.43	19.03	19.64	19.57	19.47	22.12	22.51	22.27		
25	1	64		18.02	18.99	18.70	19.36	19.29	19.16	21.75	22.15	21.95		
25	65	0		18.80	19.69	19.50	19.98	19.99	19.88	22.44	22.85	22.70		
25	1	1	16-QAM	19.97	20.79	20.46	21.22	21.21	20.96	23.65	24.02	23.73	23.59	0.2286
25	1	1	64-QAM	18.47	19.17	19.17	19.62	19.64	19.66	22.09	22.42	22.43		
25	1	1	256-QAM	15.43	16.24	15.89	16.75	16.66	16.47	19.15	19.47	19.20		
Limit	EIRP < 1W			Result									Pass	



Part27Q NR n78 Maximum Average Power [dBm], DG = -0.43 dBi														
BW	RB	RB	Mod	Antenna 7			Antenna 5			Combine			EIRP	EIRP
(MHz)	Size	Offset		Lowest	Middle	Highest	Lowest	Middle	Highest	Lowest	Middle	Highest	(dBm)	(W)
30	1	1	QPSK	20.43	21.33	21.11	21.44	21.62	21.48	23.97	24.49	24.31	24.06	0.2547
30	1	76		19.95	20.90	20.91	21.30	21.31	21.29	23.69	24.12	24.11		
30	39	19		20.16	21.16	21.15	21.33	21.51	21.56	23.79	24.35	24.37		
30	1	0		18.44	19.35	19.10	19.48	19.60	19.46	22.00	22.49	22.29		
30	1	77		17.88	18.93	18.94	19.22	19.25	19.26	21.61	22.10	22.11		
30	78	0		18.63	19.64	19.60	19.81	19.97	19.97	22.27	22.82	22.80		
30	1	1	16-QAM	19.90	20.80	20.42	21.02	21.02	21.12	23.51	23.92	23.79	23.49	0.2234
30	1	1	64-QAM	18.41	19.38	19.03	19.35	19.54	19.42	21.92	22.47	22.24		
30	1	1	256-QAM	15.38	16.15	15.95	16.54	16.39	16.56	19.01	19.28	19.28		
Limit	EIRP < 1W			Result									Pass	

Part27Q NR n78 Maximum Average Power [dBm], DG = -0.43 dBi														
BW	RB	RB	Mod	Antenna 7			Antenna 5			Combine			EIRP	EIRP
(MHz)	Size	Offset		Lowest	Middle	Highest	Lowest	Middle	Highest	Lowest	Middle	Highest	(dBm)	(W)
40	1	1	QPSK	20.57	21.29	20.99	21.61	21.61	21.48	24.13	24.46	24.25	24.03	0.2529
40	1	104		19.98	20.88	20.76	21.47	21.30	21.20	23.80	24.11	24.00		
40	53	26		20.22	21.16	21.03	21.45	21.53	21.46	23.89	24.36	24.26		
40	1	0		18.52	19.42	19.05	19.67	19.53	19.46	22.14	22.49	22.27		
40	1	105		17.88	18.75	18.73	19.37	19.19	19.17	21.70	21.99	21.97		
40	106	0		18.63	19.67	19.51	19.90	19.95	19.89	22.32	22.82	22.71		
40	1	1	16-QAM	19.85	20.84	20.48	21.11	21.30	20.85	23.54	24.09	23.68	23.66	0.2323
40	1	1	64-QAM	18.35	19.29	19.11	19.55	19.56	19.39	22.00	22.44	22.26		
40	1	1	256-QAM	15.42	16.28	15.83	16.72	16.69	16.57	19.13	19.50	19.23		
Limit	EIRP < 1W			Result									Pass	



Part27Q NR n78 Maximum Average Power [dBm], DG = -0.43 dBi														
BW	RB	RB	Mod	Antenna 7			Antenna 5			Combine			EIRP	EIRP
(MHz)	Size	Offset		Lowest	Middle	Highest	Lowest	Middle	Highest	Lowest	Middle	Highest	(dBm)	(W)
50	1	1	QPSK	20.37	21.35	21.10	21.56	21.50	21.52	24.02	24.44	24.33	24.01	0.2518
50	1	131		19.55	20.80	20.62	21.19	21.02	21.07	23.46	23.92	23.86		
50	67	33		20.12	21.18	20.95	21.39	21.46	21.29	23.81	24.33	24.13		
50	1	0		18.52	19.41	19.13	19.56	19.47	19.54	22.08	22.45	22.35		
50	1	132		17.65	18.86	18.66	19.22	19.14	19.05	21.52	22.01	21.87		
50	133	0		18.58	19.61	19.46	19.86	19.92	19.86	22.28	22.78	22.67		
50	1	1	16-QAM	19.98	20.75	20.42	21.16	21.00	21.13	23.62	23.89	23.80	23.46	0.2218
50	1	1	64-QAM	18.71	19.38	19.45	19.41	19.61	19.46	22.08	22.51	22.47		
50	1	1	256-QAM	15.18	16.14	16.04	16.40	16.69	16.41	18.84	19.43	19.24		
Limit	EIRP < 1W			Result									Pass	

Part27Q NR n78 Maximum Average Power [dBm], DG = -0.43 dBi														
BW	RB	RB	Mod	Antenna 7			Antenna 5			Combine			EIRP	EIRP
(MHz)	Size	Offset		Lowest	Middle	Highest	Lowest	Middle	Highest	Lowest	Middle	Highest	(dBm)	(W)
60	1	1	QPSK	20.50	21.38	21.51	21.50	21.52	21.87	24.04	24.46	24.70	24.27	0.2673
60	1	160		19.55	20.78	20.56	21.17	21.18	21.08	23.45	23.99	23.84		
60	81	40		20.10	21.12	20.98	21.55	21.45	21.36	23.90	24.30	24.18		
60	1	0		18.62	19.49	19.53	19.61	19.50	19.88	22.15	22.51	22.72		
60	1	161		17.50	18.78	18.62	19.21	19.18	19.08	21.45	21.99	21.87		
60	162	0		18.56	19.62	19.40	19.93	19.95	19.79	22.31	22.80	22.61		
60	1	1	16-QAM	20.17	20.77	20.95	21.36	20.87	21.38	23.82	23.83	24.18	23.75	0.2371
60	1	1	64-QAM	18.37	19.40	19.63	19.79	19.30	19.96	22.15	22.36	22.81		
60	1	1	256-QAM	15.41	16.46	16.50	16.59	16.34	16.99	19.05	19.41	19.76		
Limit	EIRP < 1W			Result									Pass	



Part27Q NR n78 Maximum Average Power [dBm], DG = -0.43 dBi														
BW (MHz)	RB Size	RB Offset	Mod	Antenna 7			Antenna 5			Combine			EIRP (dBm)	EIRP (W)
				Lowest	Middle	Highest	Lowest	Middle	Highest	Lowest	Middle	Highest		
70	1	1	QPSK	20.56	21.45	21.56	21.55	21.46	21.76	24.09	24.47	24.67	24.24	0.2655
70	1	187		19.38	20.78	20.86	20.96	21.12	21.04	23.25	23.96	23.96		
70	95	47		20.03	21.12	21.14	21.40	21.44	21.50	23.78	24.29	24.33		
70	1	0		18.50	19.52	19.52	19.60	19.52	19.72	22.10	22.53	22.63		
70	1	188		17.33	18.62	18.62	18.97	19.06	18.99	21.24	21.86	21.82		
70	189	0		18.56	19.56	19.61	19.91	19.80	20.00	22.30	22.69	22.82		
70	1	1	16-QAM	20.29	20.63	20.70	21.06	21.20	21.22	23.70	23.93	23.98	23.55	0.2265
70	1	1	64-QAM	18.80	19.13	19.16	19.38	19.38	19.68	22.11	22.27	22.44		
70	1	1	256-QAM	15.58	16.39	15.99	16.70	16.23	16.48	19.19	19.32	19.25		
Limit	EIRP < 1W			Result									Pass	

Part27Q NR n78 Maximum Average Power [dBm], DG = -0.43 dBi														
BW (MHz)	RB Size	RB Offset	Mod	Antenna 7			Antenna 5			Combine			EIRP (dBm)	EIRP (W)
				Lowest	Middle	Highest	Lowest	Middle	Highest	Lowest	Middle	Highest		
80	1	1	QPSK	20.51	21.67	21.36	21.70	21.69	21.47	24.16	24.69	24.43	24.26	0.2667
80	1	215		19.65	20.59	20.56	21.18	21.02	21.00	23.49	23.82	23.80		
80	109	54		20.36	21.20	21.01	21.82	21.41	21.38	24.16	24.32	24.21		
80	1	0		18.68	19.70	19.53	19.82	19.61	19.65	22.30	22.67	22.60		
80	1	216		17.33	18.72	18.55	19.01	19.05	19.03	21.26	21.90	21.81		
80	217	0		18.77	19.66	19.53	20.17	19.87	19.78	22.54	22.78	22.67		
80	1	1	16-QAM	20.07	21.45	21.07	20.78	21.25	21.48	23.45	24.36	24.29	23.93	0.2472
80	1	1	64-QAM	18.48	19.65	19.52	19.56	19.44	19.37	22.06	22.56	22.46		
80	1	1	256-QAM	15.97	17.03	16.44	16.97	16.33	16.18	19.51	19.70	19.32		
Limit	EIRP < 1W			Result									Pass	

Part27Q NR n78 Maximum Average Power [dBm], DG = -0.43 dBi														
BW (MHz)	RB Size	RB Offset	Mod	Antenna 7			Antenna 5			Combine			EIRP (dBm)	EIRP (W)
				Lowest	Middle	Highest	Lowest	Middle	Highest	Lowest	Middle	Highest		
90	1	1	QPSK	20.65	21.86	21.73	21.60	21.75	21.74	24.16	24.82	24.75	24.39	0.2748
90	1	243		19.58	20.61	20.58	20.91	20.86	20.88	23.31	23.75	23.74		
90	123	61		20.08	21.13	21.26	21.60	21.36	21.59	23.92	24.26	24.44		
90	1	0		18.88	19.86	19.86	19.71	19.66	19.72	22.33	22.77	22.80		
90	1	244		17.52	18.62	18.57	19.03	19.05	19.03	21.35	21.85	21.82		
90	245	0		18.65	19.61	19.63	20.08	19.82	20.04	22.43	22.73	22.85		
90	1	1	16-QAM	20.29	21.23	21.04	21.49	21.10	21.24	23.94	24.18	24.15	23.75	0.2371
90	1	1	64-QAM	18.75	19.45	19.66	20.30	19.99	19.83	22.60	22.74	22.76		
90	1	1	256-QAM	16.05	16.25	17.10	17.34	16.41	16.77	19.75	19.34	19.95		
Limit	EIRP < 1W			Result									Pass	

Part27Q NR n78 Maximum Average Power [dBm], DG = -0.43 dBi														
BW (MHz)	RB Size	RB Offset	Mod	Antenna 7			Antenna 5			Combine			EIRP (dBm)	EIRP (W)
				Lowest	Middle	Highest	Lowest	Middle	Highest	Lowest	Middle	Highest		
100	1	1	QPSK	-	21.98	-	-	21.53	-	-	24.77	-	24.34	0.2716
100	1	271		-	20.57	-	-	21.03	-	-	23.82	-		
100	137	68		-	21.13	-	-	21.46	-	-	24.31	-		
100	1	0		-	19.99	-	-	19.77	-	-	22.89	-		
100	1	272		-	18.71	-	-	18.96	-	-	21.85	-		
100	273	0		-	19.69	-	-	19.91	-	-	22.81	-		
100	1	1	16-QAM	-	21.56	-	-	21.31	-	-	24.45	-	24.02	0.2523
100	1	1	64-QAM	-	19.82	-	-	20.05	-	-	22.95	-		
100	1	1	256-QAM	-	17.51	-	-	16.85	-	-	20.20	-		
Limit	EIRP < 1W			Result									Pass	



MIMO <Ant. 6+5>

Part27Q NR n77 Maximum Average Power [dBm], DG = -0.57 dBi														
BW (MHz)	RB Size	RB Offset	Mod	Antenna 6			Antenna 5			Combine			EIRP (dBm)	EIRP (W)
				Lowest	Middle	Highest	Lowest	Middle	Highest	Lowest	Middle	Highest		
10	1	1	QPSK	23.93	23.91	24.24	23.91	23.98	23.89	26.93	26.96	27.08	26.51	0.4477
10	1	22		23.81	23.82	24.12	23.77	23.74	23.72	26.80	26.79	26.93		
10	12	6		23.80	23.87	24.11	23.87	23.70	23.74	26.85	26.80	26.94		
10	1	0		20.46	20.43	20.77	20.37	20.47	20.39	23.43	23.46	23.59		
10	1	23		20.29	20.28	20.61	20.31	20.16	20.19	23.31	23.23	23.42		
10	24	0		20.78	20.85	21.09	20.82	20.74	20.74	23.81	23.81	23.93		
10	1	1	16-QAM	23.32	23.45	23.59	23.42	23.46	23.25	26.38	26.47	26.43	25.9	0.389
10	1	1	64-QAM	21.85	21.92	22.11	21.85	22.15	21.73	24.86	25.05	24.93		
10	1	1	256-QAM	17.30	17.32	17.55	17.36	17.56	17.24	20.34	20.45	20.41		
Limit	EIRP < 1W			Result									Pass	

Part27Q NR n77 Maximum Average Power [dBm], DG = -0.57 dBi														
BW (MHz)	RB Size	RB Offset	Mod	Antenna 6			Antenna 5			Combine			EIRP (dBm)	EIRP (W)
				Lowest	Middle	Highest	Lowest	Middle	Highest	Lowest	Middle	Highest		
15	1	1	QPSK	23.96	23.90	24.21	23.95	24.00	23.79	26.97	26.96	27.02	26.45	0.4416
15	1	36		23.92	23.74	24.01	23.76	23.69	23.64	26.85	26.73	26.84		
15	19	9		23.83	23.89	24.21	23.90	23.77	23.74	26.88	26.84	26.99		
15	1	0		20.47	20.43	20.76	20.39	20.49	20.29	23.44	23.47	23.54		
15	1	37		20.36	20.25	20.52	20.21	20.15	20.12	23.30	23.21	23.33		
15	38	0		20.83	20.86	21.17	20.88	20.73	20.74	23.87	23.81	23.97		
15	1	1	16-QAM	23.28	23.37	23.62	23.44	23.54	23.32	26.37	26.47	26.48	25.91	0.3899
15	1	1	64-QAM	21.70	21.83	22.12	21.87	21.98	21.78	24.79	24.92	24.96		
15	1	1	256-QAM	17.25	17.34	17.67	17.45	17.52	17.35	20.36	20.44	20.52		
Limit	EIRP < 1W			Result									Pass	



Part27Q NR n77 Maximum Average Power [dBm], DG = -0.57 dBi														
BW (MHz)	RB Size	RB Offset	Mod	Antenna 6			Antenna 5			Combine			EIRP (dBm)	EIRP (W)
				Lowest	Middle	Highest	Lowest	Middle	Highest	Lowest	Middle	Highest		
20	1	1	QPSK	24.06	23.90	24.07	24.05	24.03	23.83	27.07	26.98	26.96	26.5	0.4467
20	1	49		24.01	23.84	24.01	23.82	23.64	23.65	26.93	26.75	26.84		
20	25	12		23.91	23.87	24.18	24.02	23.88	23.73	26.98	26.88	26.97		
20	1	0		20.55	20.41	20.60	20.54	20.54	20.31	23.56	23.49	23.47		
20	1	50		20.48	20.29	20.47	20.30	20.11	20.10	23.40	23.21	23.30		
20	51	0		20.87	20.83	21.13	20.95	20.72	20.73	23.92	23.79	23.94		
20	1	1	16-QAM	23.42	23.28	23.64	23.44	23.52	23.30	26.44	26.41	26.48	25.91	0.3899
20	1	1	64-QAM	21.95	21.94	22.02	21.88	22.02	21.94	24.93	24.99	24.99		
20	1	1	256-QAM	17.54	17.25	17.52	17.52	17.62	17.24	20.54	20.45	20.39		
Limit	EIRP < 1W			Result									Pass	

Part27Q NR n77 Maximum Average Power [dBm], DG = -0.57 dBi														
BW (MHz)	RB Size	RB Offset	Mod	Antenna 6			Antenna 5			Combine			EIRP (dBm)	EIRP (W)
				Lowest	Middle	Highest	Lowest	Middle	Highest	Lowest	Middle	Highest		
25	1	1	QPSK	24.04	23.92	24.03	24.08	23.91	23.79	27.07	26.93	26.92	26.5	0.4467
25	1	63		23.87	23.74	23.87	23.72	23.58	23.45	26.81	26.67	26.68		
25	33	16		24.08	23.84	24.12	23.89	23.78	23.69	27.00	26.82	26.92		
25	1	0		20.56	20.48	20.54	20.55	20.39	20.27	23.57	23.45	23.42		
25	1	64		20.37	20.25	20.35	20.24	20.08	19.98	23.32	23.18	23.18		
25	65	0		21.08	20.84	21.09	20.86	20.74	20.67	23.98	23.80	23.90		
25	1	1	16-QAM	23.42	23.34	23.48	23.50	23.41	23.26	26.47	26.39	26.38	25.9	0.389
25	1	1	64-QAM	22.10	21.97	22.01	21.98	21.85	21.82	25.05	24.92	24.93		
25	1	1	256-QAM	17.47	17.41	17.55	17.54	17.38	17.18	20.52	20.41	20.38		
Limit	EIRP < 1W			Result									Pass	



Part27Q NR n77 Maximum Average Power [dBm], DG = -0.57 dBi														
BW (MHz)	RB Size	RB Offset	Mod	Antenna 6			Antenna 5			Combine			EIRP (dBm)	EIRP (W)
				Lowest	Middle	Highest	Lowest	Middle	Highest	Lowest	Middle	Highest		
30	1	1	QPSK	23.98	24.02	23.60	23.89	23.90	23.79	26.95	26.97	26.71	26.5	0.4467
30	1	76		23.72	23.75	23.94	23.58	23.59	23.63	26.66	26.68	26.80		
30	39	19		23.97	23.86	24.25	23.75	23.79	23.87	26.87	26.84	27.07		
30	1	0		20.49	20.51	20.51	20.36	20.38	20.35	23.44	23.46	23.44		
30	1	77		20.26	20.26	20.47	20.09	20.03	20.10	23.19	23.16	23.30		
30	78	0		20.94	20.82	21.24	20.73	20.74	20.84	23.85	23.79	24.05		
30	1	1	16-QAM	23.46	23.52	23.48	23.52	23.34	23.42	26.50	26.44	26.46	25.93	0.3917
30	1	1	64-QAM	21.93	21.99	21.94	21.89	21.92	21.82	24.92	24.97	24.89		
30	1	1	256-QAM	17.46	17.57	17.45	17.49	17.35	17.26	20.49	20.47	20.37		
Limit	EIRP < 1W			Result									Pass	

Part27Q NR n77 Maximum Average Power [dBm], DG = -0.57 dBi														
BW (MHz)	RB Size	RB Offset	Mod	Antenna 6			Antenna 5			Combine			EIRP (dBm)	EIRP (W)
				Lowest	Middle	Highest	Lowest	Middle	Highest	Lowest	Middle	Highest		
40	1	1	QPSK	24.01	24.01	23.90	24.05	23.98	23.79	27.04	27.01	26.86	26.47	0.4436
40	1	104		23.82	23.67	23.88	23.75	20.45	23.52	26.80	25.36	26.71		
40	53	26		24.01	23.83	24.06	23.82	23.77	23.75	26.93	26.81	26.92		
40	1	0		20.55	20.53	20.54	20.51	20.36	20.30	23.54	23.46	23.43		
40	1	105		20.26	20.16	20.35	20.22	19.98	20.01	23.25	23.08	23.19		
40	106	0		21.03	20.83	21.03	20.75	20.74	20.72	23.90	23.80	23.89		
40	1	1	16-QAM	23.53	23.46	23.52	23.51	23.47	23.35	26.53	26.48	26.45	25.96	0.3945
40	1	1	64-QAM	21.97	21.98	22.02	22.01	21.95	21.84	25.00	24.98	24.94		
40	1	1	256-QAM	17.40	17.38	17.41	17.58	17.35	17.32	20.50	20.38	20.38		
Limit	EIRP < 1W			Result									Pass	



Part27Q NR n77 Maximum Average Power [dBm], DG = -0.57 dBi														
BW (MHz)	RB Size	RB Offset	Mod	Antenna 6			Antenna 5			Combine			EIRP (dBm)	EIRP (W)
				Lowest	Middle	Highest	Lowest	Middle	Highest	Lowest	Middle	Highest		
50	1	1	QPSK	23.98	23.98	23.84	23.90	23.90	23.80	26.95	26.95	26.83	26.38	0.4345
50	1	131		23.53	23.68	23.68	23.44	23.44	23.35	26.50	26.57	26.53		
50	67	33		23.90	23.84	23.99	23.70	23.75	23.62	26.81	26.81	26.82		
50	1	0		20.54	20.55	20.42	20.40	20.39	20.31	23.48	23.48	23.38		
50	1	132		20.04	20.21	20.26	19.98	19.89	19.96	23.02	23.06	23.12		
50	133	0		20.85	20.81	20.95	20.66	20.72	20.63	23.77	23.78	23.80		
50	1	1	16-QAM	23.35	23.14	23.33	23.43	22.88	23.18	26.40	26.02	26.27	25.83	0.3828
50	1	1	64-QAM	22.04	21.75	21.84	21.92	21.45	21.85	24.99	24.61	24.86		
50	1	1	256-QAM	17.45	17.19	17.45	17.42	16.95	17.16	20.45	20.08	20.32		
Limit	EIRP < 1W			Result									Pass	

Part27Q NR n77 Maximum Average Power [dBm], DG = -0.57 dBi														
BW (MHz)	RB Size	RB Offset	Mod	Antenna 6			Antenna 5			Combine			EIRP (dBm)	EIRP (W)
				Lowest	Middle	Highest	Lowest	Middle	Highest	Lowest	Middle	Highest		
60	1	1	QPSK	24.08	24.04	23.98	24.01	23.86	24.12	27.06	26.96	27.06	26.49	0.4457
60	1	160		23.61	23.76	23.72	23.42	23.47	23.38	26.53	26.63	26.56		
60	81	40		23.96	23.85	23.89	23.83	23.72	23.64	26.91	26.80	26.78		
60	1	0		20.62	20.53	20.58	20.53	20.40	20.68	23.59	23.48	23.64		
60	1	161		20.13	20.24	20.24	19.93	19.97	19.88	23.04	23.12	23.07		
60	162	0		20.94	20.79	20.88	20.72	20.69	20.65	23.84	23.75	23.78		
60	1	1	16-QAM	23.54	23.32	23.47	23.42	23.35	23.67	26.49	26.35	26.58	26.01	0.399
60	1	1	64-QAM	22.08	22.01	22.01	22.14	21.93	22.08	25.12	24.98	25.06		
60	1	1	256-QAM	17.44	17.45	17.44	17.58	17.54	17.82	20.52	20.51	20.64		
Limit	EIRP < 1W			Result									Pass	



Part27Q NR n77 Maximum Average Power [dBm], DG = -0.57 dBi														
BW (MHz)	RB Size	RB Offset	Mod	Antenna 6			Antenna 5			Combine			EIRP (dBm)	EIRP (W)
				Lowest	Middle	Highest	Lowest	Middle	Highest	Lowest	Middle	Highest		
70	1	1	QPSK	24.08	24.12	24.13	23.94	23.90	24.01	27.02	27.02	27.08	26.51	0.4477
70	1	187		23.52	23.78	23.81	23.30	23.42	23.37	26.42	26.61	26.61		
70	95	47		23.94	23.84	23.99	23.75	23.73	23.79	26.86	26.80	26.90		
70	1	0		20.67	20.69	20.67	20.55	20.42	20.52	23.62	23.57	23.61		
70	1	188		20.03	20.29	20.32	19.78	19.89	19.89	22.92	23.10	23.12		
70	189	0		20.92	20.83	20.98	20.70	20.68	20.75	23.82	23.77	23.88		
70	1	1	16-QAM	23.55	23.62	23.72	23.51	23.38	23.58	26.54	26.51	26.66	26.09	0.4064
70	1	1	64-QAM	22.13	22.06	22.15	22.04	21.91	21.98	25.09	25.00	25.08		
70	1	1	256-QAM	17.67	17.73	17.54	17.58	17.42	17.56	20.64	20.59	20.56		
Limit	EIRP < 1W			Result									Pass	

Part27Q NR n77 Maximum Average Power [dBm], DG = -0.57 dBi														
BW (MHz)	RB Size	RB Offset	Mod	Antenna 6			Antenna 5			Combine			EIRP (dBm)	EIRP (W)
				Lowest	Middle	Highest	Lowest	Middle	Highest	Lowest	Middle	Highest		
80	1	1	QPSK	24.16	24.01	24.02	24.12	24.05	23.92	27.15	27.04	26.98	26.58	0.455
80	1	215		23.75	23.48	23.65	23.40	23.34	23.27	26.59	26.42	26.47		
80	109	54		23.98	23.86	23.92	24.04	23.76	23.69	27.02	26.82	26.82		
80	1	0		20.75	20.55	20.63	20.69	20.56	20.48	23.73	23.57	23.57		
80	1	216		20.23	19.94	20.12	19.98	19.85	19.86	23.12	22.91	23.00		
80	217	0		20.95	20.84	20.89	21.01	20.70	20.67	23.99	23.78	23.79		
80	1	1	16-QAM	23.45	23.42	23.39	23.54	23.64	23.35	26.51	26.54	26.38	25.97	0.3954
80	1	1	64-QAM	22.21	22.01	22.12	22.15	22.12	21.85	25.19	25.08	25.00		
80	1	1	256-QAM	17.57	17.56	17.68	17.62	17.58	17.54	20.61	20.58	20.62		
Limit	EIRP < 1W			Result									Pass	



Part27Q NR n77 Maximum Average Power [dBm], DG = -0.57 dBi														
BW (MHz)	RB Size	RB Offset	Mod	Antenna 6			Antenna 5			Combine			EIRP (dBm)	EIRP (W)
				Lowest	Middle	Highest	Lowest	Middle	Highest	Lowest	Middle	Highest		
90	1	1	QPSK	24.21	24.07	24.01	24.15	24.01	24.21	27.19	27.05	27.12	26.62	0.4592
90	1	243		23.72	23.67	23.72	23.32	23.25	23.26	26.53	26.48	26.51		
90	123	61		23.89	23.87	23.94	23.87	23.76	23.84	26.89	26.83	26.90		
90	1	0		20.47	20.61	20.61	20.64	20.59	20.78	23.57	23.61	23.71		
90	1	244		20.17	20.17	20.21	19.89	19.73	19.79	23.04	22.97	23.02		
90	245	0		20.92	20.87	20.92	20.83	20.71	20.75	23.89	23.80	23.85		
90	1	1	16-QAM	23.79	23.45	23.57	23.64	23.66	23.59	26.73	26.57	26.59	26.16	0.413
90	1	1	64-QAM	21.97	21.98	21.98	22.06	22.12	22.17	25.03	25.06	25.09		
90	1	1	256-QAM	17.52	17.54	17.62	17.72	17.68	17.72	20.63	20.62	20.68		
Limit	EIRP < 1W			Result									Pass	

Part27Q NR n77 Maximum Average Power [dBm], DG = -0.57 dBi														
BW (MHz)	RB Size	RB Offset	Mod	Antenna 6			Antenna 5			Combine			EIRP (dBm)	EIRP (W)
				Lowest	Middle	Highest	Lowest	Middle	Highest	Lowest	Middle	Highest		
100	1	1	QPSK	-	24.38	-	-	24.33	-	-	27.37	-	26.8	0.4786
100	1	271		-	23.69	-	-	23.42	-	-	26.57	-		
100	137	68		-	23.87	-	-	23.75	-	-	26.82	-		
100	1	0		-	20.84	-	-	20.73	-	-	23.80	-		
100	1	272		-	20.19	-	-	19.81	-	-	23.01	-		
100	273	0		-	20.86	-	-	20.69	-	-	23.79	-		
100	1	1	16-QAM	-	23.84	-	-	23.55	-	-	26.71	-	26.14	0.4111
100	1	1	64-QAM	-	22.10	-	-	22.09	-	-	25.11	-		
100	1	1	256-QAM	-	17.85	-	-	17.69	-	-	20.78	-		
Limit	EIRP < 1W			Result									Pass	



Part27Q NR n78 Maximum Average Power [dBm], DG = -0.57 dBi														
BW (MHz)	RB Size	RB Offset	Mod	Antenna 6			Antenna 5			Combine			EIRP (dBm)	EIRP (W)
				Lowest	Middle	Highest	Lowest	Middle	Highest	Lowest	Middle	Highest		
10	1	1	QPSK	21.62	21.60	21.83	21.36	21.65	21.56	24.50	24.64	24.71	24.14	0.2594
10	1	22		21.50	21.54	21.76	21.46	21.43	21.35	24.49	24.50	24.57		
10	12	6		21.55	21.55	21.77	21.49	21.42	21.45	24.53	24.50	24.62		
10	1	0		19.62	19.66	19.91	19.46	19.66	19.42	22.55	22.67	22.68		
10	1	23		19.46	19.47	19.77	19.41	19.41	19.33	22.45	22.45	22.57		
10	24	0		20.00	20.00	20.27	19.94	19.89	19.92	22.98	22.96	23.11		
10	1	1	16-QAM	21.20	21.11	21.44	20.47	21.20	20.95	23.86	24.17	24.21	23.64	0.2312
10	1	1	64-QAM	19.61	19.70	20.01	19.39	19.76	19.07	22.51	22.74	22.58		
10	1	1	256-QAM	16.22	16.53	16.66	16.25	16.60	16.39	19.25	19.58	19.54		
Limit	EIRP < 1W			Result									Pass	

Part27Q NR n78 Maximum Average Power [dBm], DG = -0.57 dBi														
BW (MHz)	RB Size	RB Offset	Mod	Antenna 6			Antenna 5			Combine			EIRP (dBm)	EIRP (W)
				Lowest	Middle	Highest	Lowest	Middle	Highest	Lowest	Middle	Highest		
15	1	1	QPSK	21.69	21.68	21.87	21.53	21.75	21.47	24.62	24.73	24.68	24.16	0.2606
15	1	36		21.66	21.52	21.69	21.38	21.42	21.33	24.53	24.48	24.52		
15	19	9		21.58	21.61	21.86	21.51	21.47	21.41	24.56	24.55	24.65		
15	1	0		19.68	19.72	19.86	19.51	19.74	19.46	22.61	22.74	22.67		
15	1	37		19.60	19.52	19.70	19.39	19.42	19.32	22.51	22.48	22.52		
15	38	0		20.07	20.04	20.36	20.02	19.95	19.93	23.06	23.01	23.16		
15	1	1	16-QAM	21.26	21.17	21.28	21.08	21.16	21.26	24.18	24.18	24.28	23.71	0.235
15	1	1	64-QAM	19.79	19.71	19.83	19.39	19.49	19.47	22.60	22.61	22.66		
15	1	1	256-QAM	16.74	16.47	16.65	16.42	16.61	16.38	19.59	19.55	19.53		
Limit	EIRP < 1W			Result									Pass	



Part27Q NR n78 Maximum Average Power [dBm], DG = -0.57 dBi														
BW (MHz)	RB Size	RB Offset	Mod	Antenna 6			Antenna 5			Combine			EIRP (dBm)	EIRP (W)
				Lowest	Middle	Highest	Lowest	Middle	Highest	Lowest	Middle	Highest		
20	1	1	QPSK	21.75	21.70	21.73	21.56	21.80	21.46	24.67	24.76	24.61	24.19	0.2624
20	1	49		21.71	21.60	21.66	21.38	21.41	21.27	24.56	24.52	24.48		
20	25	12		21.65	21.59	21.84	21.60	21.48	21.39	24.64	24.55	24.63		
20	1	0		19.71	19.73	19.79	19.53	19.78	19.45	22.63	22.77	22.63		
20	1	50		19.67	19.52	19.63	19.41	19.35	19.24	22.55	22.45	22.45		
20	51	0		20.13	20.03	20.32	20.06	19.96	19.91	23.11	23.01	23.13		
20	1	1	16-QAM	21.30	21.37	21.10	21.12	21.32	20.83	24.22	24.36	23.98	23.79	0.2393
20	1	1	64-QAM	19.69	19.68	19.80	19.53	19.82	19.38	22.62	22.76	22.61		
20	1	1	256-QAM	16.75	16.58	16.74	16.43	16.80	16.49	19.60	19.70	19.63		
Limit	EIRP < 1W			Result									Pass	

Part27Q NR n78 Maximum Average Power [dBm], DG = -0.57 dBi														
BW (MHz)	RB Size	RB Offset	Mod	Antenna 6			Antenna 5			Combine			EIRP (dBm)	EIRP (W)
				Lowest	Middle	Highest	Lowest	Middle	Highest	Lowest	Middle	Highest		
25	1	1	QPSK	21.81	21.66	21.73	21.65	21.60	21.47	24.74	24.64	24.61	24.17	0.2612
25	1	63		21.59	21.46	21.52	21.48	21.25	21.16	24.55	24.37	24.35		
25	33	16		21.82	21.60	21.79	21.56	21.49	21.36	24.70	24.56	24.59		
25	1	0		19.75	19.67	19.82	19.53	19.63	19.47	22.65	22.66	22.66		
25	1	64		19.62	19.45	19.59	19.40	19.29	19.21	22.52	22.38	22.41		
25	65	0		20.28	20.06	20.30	20.03	19.96	19.86	23.17	23.02	23.10		
25	1	1	16-QAM	21.46	21.30	21.08	21.13	21.12	21.05	24.31	24.22	24.08	23.74	0.2366
25	1	1	64-QAM	19.78	19.71	19.57	19.64	19.78	19.40	22.72	22.76	22.50		
25	1	1	256-QAM	16.72	16.63	16.75	16.60	16.61	16.52	19.67	19.63	19.65		
Limit	EIRP < 1W			Result									Pass	



Part27Q NR n78 Maximum Average Power [dBm], DG = -0.57 dBi														
BW (MHz)	RB Size	RB Offset	Mod	Antenna 6			Antenna 5			Combine			EIRP (dBm)	EIRP (W)
				Lowest	Middle	Highest	Lowest	Middle	Highest	Lowest	Middle	Highest		
30	1	1	QPSK	21.75	21.68	21.75	21.53	21.63	21.49	24.65	24.67	24.63	24.18	0.2618
30	1	76		21.45	21.44	21.71	21.28	21.37	21.31	24.38	24.42	24.52		
30	39	19		21.73	21.55	21.94	21.34	21.51	21.54	24.55	24.54	24.75		
30	1	0		19.74	19.73	19.68	19.49	19.63	19.36	22.63	22.69	22.53		
30	1	77		19.52	19.48	19.67	19.30	19.25	19.26	22.42	22.38	22.48		
30	78	0		20.14	20.06	20.39	19.85	19.96	20.01	23.01	23.02	23.21		
30	1	1	16-QAM	21.23	21.14	21.24	21.00	21.22	21.05	24.13	24.19	24.16	23.62	0.2301
30	1	1	64-QAM	19.81	19.54	19.68	19.28	19.58	19.59	22.56	22.57	22.65		
30	1	1	256-QAM	16.61	16.59	16.80	16.49	16.63	16.19	19.56	19.62	19.52		
Limit	EIRP < 1W			Result									Pass	

Part27Q NR n78 Maximum Average Power [dBm], DG = -0.57 dBi														
BW (MHz)	RB Size	RB Offset	Mod	Antenna 6			Antenna 5			Combine			EIRP (dBm)	EIRP (W)
				Lowest	Middle	Highest	Lowest	Middle	Highest	Lowest	Middle	Highest		
40	1	1	QPSK	21.84	21.70	21.72	21.57	21.68	21.57	24.72	24.70	24.66	24.15	0.2600
40	1	104		21.57	21.38	21.54	21.39	21.25	21.25	24.49	24.33	24.41		
40	53	26		21.79	21.58	21.76	21.39	21.54	21.49	24.60	24.57	24.64		
40	1	0		19.76	19.80	19.75	19.47	19.72	19.44	22.63	22.77	22.61		
40	1	105		19.51	19.26	19.48	19.51	19.20	19.22	22.52	22.24	22.36		
40	106	0		20.26	20.07	20.23	19.89	19.93	19.88	23.09	23.01	23.07		
40	1	1	16-QAM	21.45	21.42	21.07	21.06	20.95	20.97	24.27	24.20	24.03	23.70	0.2344
40	1	1	64-QAM	19.87	19.73	19.70	19.59	19.71	19.42	22.74	22.73	22.57		
40	1	1	256-QAM	16.85	16.74	16.46	16.56	16.78	16.42	19.72	19.77	19.45		
Limit	EIRP < 1W			Result									Pass	



Part27Q NR n78 Maximum Average Power [dBm], DG = -0.57 dBi														
BW (MHz)	RB Size	RB Offset	Mod	Antenna 6			Antenna 5			Combine			EIRP (dBm)	EIRP (W)
				Lowest	Middle	Highest	Lowest	Middle	Highest	Lowest	Middle	Highest		
50	1	1	QPSK	21.89	21.70	21.60	21.53	21.62	21.53	24.72	24.67	24.58	24.15	0.2600
50	1	131		21.25	21.34	21.42	21.18	21.14	20.99	24.23	24.25	24.22		
50	67	33		21.68	21.56	21.71	21.38	21.46	21.40	24.54	24.52	24.57		
50	1	0		19.73	19.68	19.53	19.47	19.54	19.39	22.61	22.62	22.47		
50	1	132		19.33	19.45	19.36	19.21	19.08	18.99	22.28	22.28	22.19		
50	133	0		20.14	20.07	20.18	19.90	19.95	19.82	23.03	23.02	23.01		
50	1	1	16-QAM	21.37	21.32	21.12	20.88	20.97	20.98	24.14	24.16	24.06	23.59	0.2286
50	1	1	64-QAM	19.69	19.76	19.88	19.29	19.45	19.33	22.50	22.62	22.62		
50	1	1	256-QAM	16.99	16.93	16.85	16.28	16.63	16.81	19.66	19.79	19.84		
Limit	EIRP < 1W			Result									Pass	

Part27Q NR n78 Maximum Average Power [dBm], DG = -0.57 dBi														
BW (MHz)	RB Size	RB Offset	Mod	Antenna 6			Antenna 5			Combine			EIRP (dBm)	EIRP (W)
				Lowest	Middle	Highest	Lowest	Middle	Highest	Lowest	Middle	Highest		
60	1	1	QPSK	21.86	21.82	21.82	21.62	21.53	21.89	24.75	24.69	24.87	24.3	0.2692
60	1	160		21.26	21.43	21.46	21.08	21.15	21.05	24.18	24.30	24.27		
60	81	40		21.72	21.61	21.60	21.53	21.51	21.32	24.64	24.57	24.47		
60	1	0		19.92	19.74	19.78	19.56	19.44	19.74	22.75	22.60	22.77		
60	1	161		19.30	19.43	19.50	19.16	19.17	19.09	22.24	22.31	22.31		
60	162	0		20.24	20.11	20.07	19.94	19.98	19.83	23.10	23.06	22.96		
60	1	1	16-QAM	21.40	21.18	21.50	21.13	20.97	21.43	24.28	24.09	24.48	23.91	0.246
60	1	1	64-QAM	20.01	19.78	19.97	19.62	19.68	20.17	22.83	22.74	23.08		
60	1	1	256-QAM	16.91	16.92	16.94	16.61	16.57	16.63	19.77	19.76	19.80		
Limit	EIRP < 1W			Result									Pass	



Part27Q NR n78 Maximum Average Power [dBm], DG = -0.57 dBi														
BW (MHz)	RB Size	RB Offset	Mod	Antenna 6			Antenna 5			Combine			EIRP (dBm)	EIRP (W)
				Lowest	Middle	Highest	Lowest	Middle	Highest	Lowest	Middle	Highest		
70	1	1	QPSK	21.91	21.98	21.94	21.51	21.65	21.52	24.72	24.83	24.75	24.26	0.2667
70	1	187		21.33	21.47	21.49	21.05	21.23	21.01	24.20	24.36	24.27		
70	95	47		21.67	21.58	21.75	21.43	21.49	21.57	24.56	24.55	24.67		
70	1	0		20.00	19.87	19.91	19.65	19.35	19.58	22.84	22.63	22.76		
70	1	188		19.32	19.55	19.46	18.92	19.22	19.08	22.13	22.40	22.28		
70	189	0		20.11	20.03	20.25	19.89	19.91	19.93	23.01	22.98	23.10		
70	1	1	16-QAM	21.17	21.37	21.11	21.28	21.12	20.96	24.24	24.26	24.05	23.69	0.2339
70	1	1	64-QAM	19.54	19.54	19.84	19.81	19.44	19.43	22.69	22.50	22.65		
70	1	1	256-QAM	16.90	16.96	17.08	16.32	16.68	16.54	19.63	19.83	19.83		
Limit	EIRP < 1W			Result									Pass	

Part27Q NR n78 Maximum Average Power [dBm], DG = -0.57 dBi														
BW (MHz)	RB Size	RB Offset	Mod	Antenna 6			Antenna 5			Combine			EIRP (dBm)	EIRP (W)
				Lowest	Middle	Highest	Lowest	Middle	Highest	Lowest	Middle	Highest		
80	1	1	QPSK	22.01	21.89	21.78	21.58	21.52	21.42	24.81	24.72	24.61	24.24	0.2655
80	1	215		21.31	21.24	21.52	21.03	21.18	20.92	24.18	24.22	24.24		
80	109	54		21.76	21.59	21.72	21.83	21.42	21.42	24.81	24.52	24.58		
80	1	0		20.08	19.85	20.14	19.53	19.62	19.40	22.82	22.75	22.80		
80	1	216		19.41	19.33	19.45	19.08	18.99	18.94	22.26	22.17	22.21		
80	217	0		20.24	19.99	20.15	20.28	20.01	19.90	23.27	23.01	23.04		
80	1	1	16-QAM	21.49	20.95	21.91	21.12	21.16	21.32	24.32	24.07	24.64	24.07	0.2553
80	1	1	64-QAM	19.95	19.58	19.83	19.72	19.33	19.39	22.85	22.47	22.63		
80	1	1	256-QAM	17.04	16.87	16.60	16.45	16.81	16.76	19.77	19.85	19.69		
Limit	EIRP < 1W			Result									Pass	



Part27Q NR n78 Maximum Average Power [dBm], DG = -0.57 dBi														
BW (MHz)	RB Size	RB Offset	Mod	Antenna 6			Antenna 5			Combine			EIRP (dBm)	EIRP (W)
				Lowest	Middle	Highest	Lowest	Middle	Highest	Lowest	Middle	Highest		
90	1	1	QPSK	22.06	21.76	21.78	21.81	21.68	21.70	24.95	24.73	24.75	24.38	0.2742
90	1	243		21.50	21.34	21.30	21.00	21.11	21.07	24.27	24.24	24.20		
90	123	61		21.75	21.65	21.64	21.61	21.47	21.62	24.69	24.57	24.64		
90	1	0		19.74	19.72	19.93	19.77	19.59	19.65	22.77	22.67	22.80		
90	1	244		19.52	19.39	19.50	19.02	19.00	19.02	22.29	22.21	22.28		
90	245	0		20.27	20.05	20.14	20.10	19.94	19.96	23.20	23.01	23.06		
90	1	1	16-QAM	22.12	21.15	21.36	21.48	21.21	21.24	24.82	24.19	24.31	24.25	0.2661
90	1	1	64-QAM	20.29	19.76	19.55	19.55	19.66	20.01	22.95	22.72	22.80		
90	1	1	256-QAM	17.10	16.97	16.82	16.49	16.65	16.84	19.82	19.82	19.84		
Limit	EIRP < 1W			Result									Pass	

Part27Q NR n78 Maximum Average Power [dBm], DG = -0.57 dBi														
BW (MHz)	RB Size	RB Offset	Mod	Antenna 6			Antenna 5			Combine			EIRP (dBm)	EIRP (W)
				Lowest	Middle	Highest	Lowest	Middle	Highest	Lowest	Middle	Highest		
100	1	1	QPSK	-	22.06	-	-	21.65	-	-	24.87	-	24.30	0.2692
100	1	271		-	21.43	-	-	20.95	-	-	24.21	-		
100	137	68		-	21.69	-	-	21.55	-	-	24.63	-		
100	1	0		-	19.99	-	-	19.77	-	-	22.89	-		
100	1	272		-	19.39	-	-	18.88	-	-	22.15	-		
100	273	0		-	20.13	-	-	19.93	-	-	23.04	-		
100	1	1	16-QAM	-	21.19	-	-	21.42	-	-	24.32	-	23.75	0.2371
100	1	1	64-QAM	-	20.33	-	-	19.61	-	-	23.00	-		
100	1	1	256-QAM	-	17.34	-	-	16.90	-	-	20.14	-		
Limit	EIRP < 1W			Result									Pass	



MIMO <Ant. 7+1>

Part27Q NR n77 Maximum Average Power [dBm], DG = -2.64 dBi														
BW (MHz)	RB Size	RB Offset	Mod	Antenna 7			Antenna 1			Combine			EIRP (dBm)	EIRP (W)
				Lowest	Middle	Highest	Lowest	Middle	Highest	Lowest	Middle	Highest		
10	1	1	QPSK	22.12	24.10	23.72	23.33	23.69	23.74	25.78	26.91	26.74	24.27	0.2673
10	1	22		22.33	23.96	23.76	23.47	23.57	23.76	25.95	26.78	26.77		
10	12	6		22.39	24.07	23.81	23.48	23.62	23.77	25.98	26.86	26.80		
10	1	0		18.66	20.62	20.22	19.79	20.11	20.20	22.27	23.38	23.22		
10	1	23		18.79	20.37	20.24	19.90	19.98	20.18	22.39	23.19	23.22		
10	24	0		19.37	21.02	20.80	20.39	20.57	20.75	22.92	23.81	23.79		
10	1	1	16-QAM	21.63	23.72	23.21	22.74	23.02	23.27	25.23	26.39	26.25	23.75	0.2371
10	1	1	64-QAM	20.04	22.21	21.85	21.31	21.55	21.60	23.73	24.90	24.74		
10	1	1	256-QAM	15.30	17.69	17.23	16.64	17.15	17.03	19.03	20.44	20.14		
Limit	EIRP < 1W			Result									Pass	

Part27Q NR n77 Maximum Average Power [dBm], DG = -2.64 dBi														
BW (MHz)	RB Size	RB Offset	Mod	Antenna 7			Antenna 1			Combine			EIRP (dBm)	EIRP (W)
				Lowest	Middle	Highest	Lowest	Middle	Highest	Lowest	Middle	Highest		
15	1	1	QPSK	22.49	24.43	24.06	23.53	23.91	23.89	26.05	27.19	26.99	24.55	0.2851
15	1	36		22.35	24.05	23.97	23.54	23.62	23.80	26.00	26.85	26.90		
15	19	9		22.62	24.24	24.02	23.76	23.78	23.84	26.24	27.03	26.94		
15	1	0		18.98	20.87	20.53	19.98	20.33	20.42	22.52	23.62	23.49		
15	1	37		18.79	20.53	20.35	20.00	20.00	20.15	22.45	23.28	23.26		
15	38	0		19.57	21.21	20.95	20.69	20.75	20.77	23.18	24.00	23.87		
15	1	1	16-QAM	21.84	23.81	23.47	23.10	23.27	23.50	25.53	26.56	26.50	23.92	0.2466
15	1	1	64-QAM	20.31	22.14	22.04	21.56	21.94	21.97	23.99	25.05	25.02		
15	1	1	256-QAM	15.75	17.74	17.29	17.05	17.47	17.25	19.46	20.62	20.28		
Limit	EIRP < 1W			Result									Pass	



Part27Q NR n77 Maximum Average Power [dBm], DG = -2.64 dBi														
BW (MHz)	RB Size	RB Offset	Mod	Antenna 7			Antenna 1			Combine			EIRP (dBm)	EIRP (W)
				Lowest	Middle	Highest	Lowest	Middle	Highest	Lowest	Middle	Highest		
20	1	1	QPSK	22.43	24.39	24.05	23.64	23.91	23.97	26.09	27.17	27.02	24.53	0.2838
20	1	49		22.44	23.75	23.96	23.53	23.33	23.69	26.03	26.56	26.84		
20	25	12		22.63	24.29	24.02	23.81	23.81	23.84	26.27	27.07	26.94		
20	1	0		18.98	20.87	20.49	20.01	20.43	20.45	22.54	23.67	23.48		
20	1	50		18.70	20.20	20.35	20.01	19.80	20.22	22.41	23.01	23.30		
20	51	0		19.49	21.20	20.92	20.70	20.76	20.76	23.15	24.00	23.85		
20	1	1	16-QAM	21.79	23.84	23.60	23.01	23.39	23.47	25.45	26.63	26.55	23.99	0.2506
20	1	1	64-QAM	20.48	22.20	21.91	21.53	22.04	21.83	24.05	25.13	24.88		
20	1	1	256-QAM	15.83	17.67	17.42	17.07	17.40	17.27	19.50	20.55	20.36		
Limit	EIRP < 1W			Result									Pass	

Part27Q NR n77 Maximum Average Power [dBm], DG = -2.64 dBi														
BW (MHz)	RB Size	RB Offset	Mod	Antenna 7			Antenna 1			Combine			EIRP (dBm)	EIRP (W)
				Lowest	Middle	Highest	Lowest	Middle	Highest	Lowest	Middle	Highest		
25	1	1	QPSK	22.53	24.37	24.11	23.59	23.99	23.93	26.10	27.19	27.03	24.55	0.2851
25	1	63		22.30	23.67	23.82	23.61	23.26	23.72	26.01	26.48	26.78		
25	33	16		22.45	24.25	24.05	23.66	23.83	23.89	26.11	27.06	26.98		
25	1	0		18.94	20.91	20.60	20.08	20.35	20.45	22.56	23.65	23.54		
25	1	64		18.77	20.15	20.34	20.09	19.76	20.14	22.49	22.97	23.25		
25	65	0		19.37	21.26	21.00	20.58	20.74	20.83	23.03	24.02	23.93		
25	1	1	16-QAM	21.71	23.77	23.47	23.00	23.54	23.52	25.41	26.67	26.51	24.03	0.2529
25	1	1	64-QAM	20.23	22.23	21.94	21.46	22.03	21.96	23.90	25.14	24.96		
25	1	1	256-QAM	16.04	17.82	17.58	17.01	17.39	17.41	19.56	20.62	20.51		
Limit	EIRP < 1W			Result									Pass	



Part27Q NR n77 Maximum Average Power [dBm], DG = -2.64 dBi														
BW (MHz)	RB Size	RB Offset	Mod	Antenna 7			Antenna 1			Combine			EIRP (dBm)	EIRP (W)
				Lowest	Middle	Highest	Lowest	Middle	Highest	Lowest	Middle	Highest		
30	1	1	QPSK	22.51	24.39	24.02	23.60	23.94	23.79	26.10	27.18	26.92	24.54	0.2844
30	1	76		22.18	23.69	23.94	23.58	23.28	23.69	25.95	26.50	26.83		
30	39	19		24.01	24.30	24.03	23.90	23.84	23.89	26.97	27.09	26.97		
30	1	0		18.92	20.94	20.59	20.08	20.42	20.30	22.55	23.70	23.46		
30	1	77		18.65	20.14	20.33	20.04	19.75	20.12	22.41	22.96	23.24		
30	78	0		19.31	21.19	20.99	20.60	20.81	20.82	23.01	24.01	23.92		
30	1	1	16-QAM	21.87	23.75	23.43	23.05	23.44	23.30	25.51	26.61	26.38	23.97	0.2495
30	1	1	64-QAM	20.27	22.18	21.94	21.48	21.96	21.98	23.93	25.08	24.97		
30	1	1	256-QAM	15.95	17.87	17.30	17.01	17.55	17.27	19.52	20.72	20.30		
Limit	EIRP < 1W			Result									Pass	

Part27Q NR n77 Maximum Average Power [dBm], DG = -2.64 dBi														
BW (MHz)	RB Size	RB Offset	Mod	Antenna 7			Antenna 1			Combine			EIRP (dBm)	EIRP (W)
				Lowest	Middle	Highest	Lowest	Middle	Highest	Lowest	Middle	Highest		
40	1	1	QPSK	23.22	23.21	23.06	24.06	23.87	23.72	26.67	26.56	26.41	24.03	0.2529
40	1	104		22.96	22.85	22.86	23.65	23.51	23.68	26.33	26.20	26.30		
40	53	26		23.23	22.99	23.12	23.79	23.68	23.78	26.53	26.36	26.47		
40	1	0		19.74	19.77	19.55	20.56	20.35	20.17	23.18	23.08	22.88		
40	1	105		19.38	19.31	19.29	20.14	19.98	20.12	22.79	22.67	22.74		
40	106	0		20.18	19.96	20.08	20.76	20.64	20.73	23.49	23.32	23.43		
40	1	1	16-QAM	22.75	22.64	22.56	23.65	23.41	23.29	26.23	26.05	25.95	23.59	0.2286
40	1	1	64-QAM	21.26	21.24	21.26	22.02	21.75	21.85	24.67	24.51	24.58		
40	1	1	256-QAM	16.99	16.95	16.62	17.57	17.35	17.24	20.30	20.16	19.95		
Limit	EIRP < 1W			Result									Pass	



Part27Q NR n77 Maximum Average Power [dBm], DG = -2.64 dBi														
BW (MHz)	RB Size	RB Offset	Mod	Antenna 7			Antenna 1			Combine			EIRP (dBm)	EIRP (W)
				Lowest	Middle	Highest	Lowest	Middle	Highest	Lowest	Middle	Highest		
50	1	1	QPSK	23.22	23.21	23.01	24.02	23.86	23.75	26.65	26.56	26.41	24.01	0.2518
50	1	131		22.71	22.78	22.73	23.46	23.39	23.53	26.11	26.11	26.16		
50	67	33		23.10	23.01	23.10	23.69	23.71	23.66	26.42	26.38	26.40		
50	1	0		19.82	19.74	19.56	20.58	20.34	20.21	23.23	23.06	22.91		
50	1	132		19.23	19.31	19.26	19.96	19.93	19.99	22.62	22.64	22.65		
50	133	0	16-QAM	20.05	19.96	20.04	20.65	20.65	20.65	23.37	23.33	23.37	23.51	0.2244
50	1	1	64-QAM	22.68	22.72	22.58	23.56	23.45	23.26	26.15	26.11	25.94		
50	1	1	256-QAM	21.26	21.27	20.84	21.95	21.96	21.75	24.63	24.64	24.33		
50	1	1	256-QAM	16.92	16.82	16.26	17.49	17.38	17.14	20.22	20.12	19.73		
Limit	EIRP < 1W			Result									Pass	

Part27Q NR n77 Maximum Average Power [dBm], DG = -2.64 dBi														
BW (MHz)	RB Size	RB Offset	Mod	Antenna 7			Antenna 1			Combine			EIRP (dBm)	EIRP (W)
				Lowest	Middle	Highest	Lowest	Middle	Highest	Lowest	Middle	Highest		
60	1	1	QPSK	23.28	23.19	23.13	24.10	23.90	24.01	26.72	26.57	26.60	24.08	0.2559
60	1	160		22.75	22.83	22.73	23.35	23.54	23.57	26.07	26.21	26.18		
60	81	40		23.13	22.99	22.97	23.79	23.68	23.61	26.48	26.36	26.31		
60	1	0		19.84	19.78	19.74	20.61	20.38	20.60	23.25	23.10	23.20		
60	1	161		19.25	19.35	19.24	19.87	20.01	20.03	22.58	22.70	22.66		
60	162	0	16-QAM	20.13	19.92	19.95	20.73	20.63	20.57	23.45	23.30	23.28	23.58	0.228
60	1	1	64-QAM	22.72	22.75	22.62	23.65	23.37	23.56	26.22	26.08	26.13		
60	1	1	256-QAM	21.32	21.25	20.69	21.97	21.70	21.98	24.67	24.49	24.39		
60	1	1	256-QAM	16.88	16.82	16.35	17.65	17.35	17.52	20.29	20.10	19.98		
Limit	EIRP < 1W			Result									Pass	



Part27Q NR n77 Maximum Average Power [dBm], DG = -2.64 dBi														
BW (MHz)	RB Size	RB Offset	Mod	Antenna 7			Antenna 1			Combine			EIRP (dBm)	EIRP (W)
				Lowest	Middle	Highest	Lowest	Middle	Highest	Lowest	Middle	Highest		
70	1	1	QPSK	23.24	23.25	23.22	24.09	23.94	23.99	26.70	26.62	26.63	24.06	0.2547
70	1	187		20.53	22.84	22.78	23.27	23.45	23.62	25.12	26.17	26.23		
70	95	47		23.11	22.99	23.12	23.68	23.72	23.78	26.41	26.38	26.47		
70	1	0		19.82	19.87	19.86	20.62	20.45	20.51	23.25	23.18	23.21		
70	1	188		19.09	19.27	19.33	19.73	19.93	20.04	22.43	22.62	22.71		
70	189	0		20.07	19.95	20.06	20.66	20.64	20.72	23.39	23.32	23.41		
70	1	1	16-QAM	22.72	22.67	22.79	23.65	23.46	23.55	26.22	26.09	26.20	23.58	0.228
70	1	1	64-QAM	21.18	21.46	21.42	22.09	21.84	21.87	24.67	24.66	24.66		
70	1	1	256-QAM	16.73	16.85	16.87	16.65	17.52	17.54	19.70	20.21	20.23		
Limit	EIRP < 1W			Result									Pass	

Part27Q NR n77 Maximum Average Power [dBm], DG = -2.64 dBi														
BW (MHz)	RB Size	RB Offset	Mod	Antenna 7			Antenna 1			Combine			EIRP (dBm)	EIRP (W)
				Lowest	Middle	Highest	Lowest	Middle	Highest	Lowest	Middle	Highest		
80	1	1	QPSK	23.41	23.12	23.26	24.16	24.12	23.92	26.81	26.66	26.61	24.17	0.2612
80	1	215		22.75	22.45	22.68	23.46	23.42	23.47	26.13	25.97	26.10		
80	109	54		23.08	22.97	23.01	23.94	23.67	23.64	26.54	26.34	26.35		
80	1	0		19.89	19.72	19.81	20.62	20.64	20.42	23.28	23.21	23.14		
80	1	216		19.29	19.02	19.21	19.95	20.01	20.02	22.64	22.55	22.64		
80	217	0		20.07	19.95	20.11	20.94	20.65	20.61	23.54	23.32	23.38		
80	1	1	16-QAM	22.98	22.68	22.63	23.63	23.72	23.58	26.33	26.24	26.14	23.69	0.2339
80	1	1	64-QAM	21.16	20.92	21.32	22.09	22.12	21.92	24.66	24.57	24.64		
80	1	1	256-QAM	16.87	16.66	16.98	17.62	17.62	17.39	20.27	20.18	20.20		
Limit	EIRP < 1W			Result									Pass	



Part27Q NR n77 Maximum Average Power [dBm], DG = -2.64 dBi														
BW (MHz)	RB Size	RB Offset	Mod	Antenna 7			Antenna 1			Combine			EIRP (dBm)	EIRP (W)
				Lowest	Middle	Highest	Lowest	Middle	Highest	Lowest	Middle	Highest		
90	1	1	QPSK	23.42	23.21	23.19	24.22	24.16	24.23	26.85	26.72	26.75	24.21	0.2636
90	1	243		22.69	22.65	22.64	23.48	23.37	23.45	26.11	26.04	26.07		
90	123	61		22.99	22.96	23.04	23.77	23.68	23.75	26.41	26.35	26.42		
90	1	0		19.92	19.82	19.76	20.64	20.65	20.73	23.31	23.27	23.28		
90	1	244		19.21	19.21	19.18	19.98	19.86	19.96	22.62	22.56	22.60		
90	245	0		19.97	19.96	20.01	20.81	20.65	20.71	23.42	23.33	23.38		
90	1	1	16-QAM	22.87	22.59	22.67	23.65	23.67	23.79	26.29	26.17	26.28	23.65	0.2317
90	1	1	64-QAM	21.54	21.03	21.06	22.22	22.13	22.17	24.90	24.63	24.66		
90	1	1	256-QAM	16.87	16.64	16.86	17.72	17.62	17.69	20.33	20.17	20.31		
Limit	EIRP < 1W			Result									Pass	

Part27Q NR n77 Maximum Average Power [dBm], DG = -2.64 dBi														
BW (MHz)	RB Size	RB Offset	Mod	Antenna 7			Antenna 1			Combine			EIRP (dBm)	EIRP (W)
				Lowest	Middle	Highest	Lowest	Middle	Highest	Lowest	Middle	Highest		
100	1	1	QPSK	-	23.51	-	-	24.31	-	-	26.94	-	24.30	0.2692
100	1	271		-	22.69	-	-	23.52	-	-	26.14	-		
100	137	68		-	22.94	-	-	23.76	-	-	26.38	-		
100	1	0		-	19.92	-	-	20.65	-	-	23.31	-		
100	1	272		-	19.15	-	-	19.97	-	-	22.59	-		
100	273	0		-	19.96	-	-	20.67	-	-	23.34	-		
100	1	1	16-QAM	-	22.92	-	-	23.86	-	-	26.43	-	23.79	0.2393
100	1	1	64-QAM	-	21.25	-	-	22.21	-	-	24.77	-		
100	1	1	256-QAM	-	16.98	-	-	17.75	-	-	20.39	-		
Limit	EIRP < 1W			Result									Pass	



Part27Q NR n78 Maximum Average Power [dBm], DG = -2.64 dBi														
BW (MHz)	RB Size	RB Offset	Mod	Antenna 7			Antenna 1			Combine			EIRP (dBm)	EIRP (W)
				Lowest	Middle	Highest	Lowest	Middle	Highest	Lowest	Middle	Highest		
10	1	1	QPSK	20.87	20.84	21.01	21.67	21.57	21.64	24.30	24.23	24.35	21.71	0.1483
10	1	22		20.73	20.76	20.88	21.58	21.33	21.58	24.19	24.06	24.25		
10	12	6		20.77	20.80	20.90	21.54	21.38	21.55	24.18	24.11	24.25		
10	1	0		18.98	18.91	19.07	19.60	19.59	19.72	22.31	22.27	22.42		
10	1	23		18.68	18.70	18.87	19.51	19.28	19.57	22.13	22.01	22.24		
10	24	0		19.26	19.27	19.41	20.08	19.86	20.04	22.70	22.59	22.75		
10	1	1	16-QAM	20.31	20.37	20.46	21.07	21.07	21.07	23.72	23.74	23.79	21.15	0.1303
10	1	1	64-QAM	18.84	18.97	19.16	19.28	19.46	19.49	22.08	22.23	22.34		
10	1	1	256-QAM	15.87	15.74	15.88	16.48	16.54	16.61	19.20	19.17	19.27		
Limit	EIRP < 1W			Result									Pass	

Part27Q NR n78 Maximum Average Power [dBm], DG = -2.64 dBi														
BW (MHz)	RB Size	RB Offset	Mod	Antenna 7			Antenna 1			Combine			EIRP (dBm)	EIRP (W)
				Lowest	Middle	Highest	Lowest	Middle	Highest	Lowest	Middle	Highest		
15	1	1	QPSK	20.93	20.86	20.98	21.68	21.59	21.51	24.33	24.25	24.26	21.69	0.1476
15	1	36		20.90	20.65	20.77	21.46	21.28	21.47	24.20	23.99	24.14		
15	19	9		20.83	20.82	20.98	21.61	21.38	21.54	24.25	24.12	24.28		
15	1	0		18.96	18.91	19.03	19.63	19.62	19.53	22.32	22.29	22.30		
15	1	37		18.88	18.69	18.74	19.45	19.28	19.48	22.18	22.01	22.14		
15	38	0		19.30	19.26	19.45	20.11	19.82	20.06	22.73	22.56	22.78		
15	1	1	16-QAM	20.47	20.36	20.54	21.16	21.29	21.19	23.84	23.86	23.89	21.25	0.1334
15	1	1	64-QAM	18.86	18.81	19.13	19.79	19.73	19.52	22.36	22.30	22.34		
15	1	1	256-QAM	15.87	15.81	15.82	16.69	16.67	16.44	19.31	19.27	19.15		
Limit	EIRP < 1W			Result									Pass	



Part27Q NR n78 Maximum Average Power [dBm], DG = -2.64 dBi														
BW (MHz)	RB Size	RB Offset	Mod	Antenna 7			Antenna 1			Combine			EIRP (dBm)	EIRP (W)
				Lowest	Middle	Highest	Lowest	Middle	Highest	Lowest	Middle	Highest		
20	1	1	QPSK	21.01	20.89	20.86	21.73	21.67	21.50	24.40	24.31	24.20	21.76	0.1500
20	1	49		20.90	20.82	20.72	21.46	21.29	21.52	24.20	24.07	24.15		
20	25	12		20.88	20.80	21.00	21.64	21.39	21.49	24.29	24.12	24.26		
20	1	0		19.01	18.99	18.84	19.71	19.69	19.50	22.38	22.36	22.19		
20	1	50		18.91	18.79	18.67	19.40	19.27	19.42	22.17	22.05	22.07		
20	51	0	16-QAM	19.35	19.28	19.45	20.12	19.86	19.97	22.76	22.59	22.73	21.29	0.1346
20	1	1	64-QAM	20.39	20.38	20.18	21.19	21.40	20.69	23.82	23.93	23.45		
20	1	1	256-QAM	19.02	18.78	18.78	19.86	19.71	19.57	22.47	22.28	22.20		
20	1	1	256-QAM	15.85	15.78	15.73	16.65	16.62	16.37	19.28	19.23	19.07		
Limit	EIRP < 1W			Result									Pass	

Part27Q NR n78 Maximum Average Power [dBm], DG = -2.64 dBi														
BW (MHz)	RB Size	RB Offset	Mod	Antenna 7			Antenna 1			Combine			EIRP (dBm)	EIRP (W)
				Lowest	Middle	Highest	Lowest	Middle	Highest	Lowest	Middle	Highest		
25	1	1	QPSK	21.02	20.92	20.86	21.78	21.43	21.44	24.43	24.19	24.17	21.79	0.151
25	1	63		20.81	20.70	20.63	21.36	21.14	21.28	24.10	23.94	23.98		
25	33	16		21.07	20.79	20.95	21.57	21.39	21.45	24.34	24.11	24.22		
25	1	0		19.12	18.96	18.92	19.74	19.42	19.43	22.45	22.21	22.19		
25	1	64		18.86	18.71	18.64	19.33	19.13	19.30	22.11	21.94	21.99		
25	65	0	16-QAM	19.54	19.27	19.43	20.05	19.87	19.90	22.81	22.59	22.68	21.28	0.1343
25	1	1	64-QAM	20.49	20.46	20.34	21.30	21.08	20.98	23.92	23.79	23.68		
25	1	1	256-QAM	19.06	18.95	18.93	19.83	19.54	19.21	22.47	22.27	22.08		
25	1	1	256-QAM	15.97	15.76	15.76	16.88	16.43	16.32	19.46	19.12	19.06		
Limit	EIRP < 1W			Result									Pass	



Part27Q NR n78 Maximum Average Power [dBm], DG = -2.64 dBi														
BW (MHz)	RB Size	RB Offset	Mod	Antenna 7			Antenna 1			Combine			EIRP (dBm)	EIRP (W)
				Lowest	Middle	Highest	Lowest	Middle	Highest	Lowest	Middle	Highest		
30	1	1	QPSK	20.94	20.94	20.83	21.62	21.53	21.43	24.30	24.26	24.15	21.72	0.1486
30	1	76		20.70	20.65	20.74	21.23	21.27	21.46	23.98	23.98	24.13		
30	39	19		20.96	20.82	21.09	21.42	21.39	21.60	24.21	24.12	24.36		
30	1	0		19.03	19.00	18.90	19.60	19.57	19.42	22.33	22.30	22.18		
30	1	77		18.70	18.66	18.78	19.16	19.25	19.46	21.95	21.98	22.14		
30	78	0		19.43	19.29	19.56	19.91	19.85	20.08	22.69	22.59	22.84		
30	1	1	16-QAM	20.42	20.53	20.43	21.28	21.13	20.94	23.88	23.85	23.70	21.24	0.133
30	1	1	64-QAM	18.89	18.91	18.96	19.45	19.49	19.32	22.19	22.22	22.15		
30	1	1	256-QAM	15.90	15.85	15.86	16.69	16.36	16.44	19.32	19.12	19.17		
Limit	EIRP < 1W			Result									Pass	

Part27Q NR n78 Maximum Average Power [dBm], DG = -2.64 dBi														
BW (MHz)	RB Size	RB Offset	Mod	Antenna 7			Antenna 1			Combine			EIRP (dBm)	EIRP (W)
				Lowest	Middle	Highest	Lowest	Middle	Highest	Lowest	Middle	Highest		
40	1	1	QPSK	20.93	20.96	20.97	21.74	21.50	21.59	24.36	24.25	24.30	21.72	0.1486
40	1	104		20.77	20.65	20.76	21.35	21.14	21.36	24.08	23.91	24.08		
40	53	26		20.99	20.82	20.88	21.48	21.40	21.43	24.25	24.13	24.17		
40	1	0		18.99	18.98	19.00	19.72	19.53	19.42	22.38	22.27	22.23		
40	1	105		18.77	18.56	18.67	19.42	19.13	19.48	22.12	21.86	22.10		
40	106	0		19.45	19.29	19.36	19.91	19.85	19.91	22.70	22.59	22.65		
40	1	1	16-QAM	20.50	20.55	20.35	21.15	21.04	20.89	23.85	23.81	23.64	21.21	0.1321
40	1	1	64-QAM	18.68	18.95	18.84	19.65	19.27	19.45	22.20	22.12	22.17		
40	1	1	256-QAM	16.14	15.85	15.64	16.74	16.30	16.33	19.46	19.09	19.01		
Limit	EIRP < 1W			Result									Pass	



Part27Q NR n78 Maximum Average Power [dBm], DG = -2.64 dBi														
BW (MHz)	RB Size	RB Offset	Mod	Antenna 7			Antenna 1			Combine			EIRP (dBm)	EIRP (W)
				Lowest	Middle	Highest	Lowest	Middle	Highest	Lowest	Middle	Highest		
50	1	1	QPSK	20.90	20.99	20.75	21.70	21.52	21.34	24.33	24.27	24.07	21.69	0.1476
50	1	131		20.43	20.61	20.60	21.09	21.07	21.17	23.78	23.86	23.90		
50	67	33		20.90	20.80	20.87	21.33	21.36	21.35	24.13	24.10	24.13		
50	1	0		19.03	19.01	18.78	19.66	19.52	19.36	22.37	22.28	22.09		
50	1	132		18.45	18.65	18.52	19.07	19.12	19.13	21.78	21.90	21.85		
50	133	0		19.41	19.21	19.37	19.84	19.84	19.84	22.64	22.55	22.62		
50	1	1	16-QAM	20.69	20.40	20.27	21.28	21.18	20.90	24.01	23.82	23.61	21.37	0.1371
50	1	1	64-QAM	19.07	19.06	18.85	19.63	19.45	19.25	22.37	22.27	22.06		
50	1	1	256-QAM	16.02	15.78	15.65	16.67	16.32	16.41	19.37	19.07	19.06		
Limit	EIRP < 1W			Result									Pass	

Part27Q NR n78 Maximum Average Power [dBm], DG = -2.64 dBi														
BW (MHz)	RB Size	RB Offset	Mod	Antenna 7			Antenna 1			Combine			EIRP (dBm)	EIRP (W)
				Lowest	Middle	Highest	Lowest	Middle	Highest	Lowest	Middle	Highest		
60	1	1	QPSK	21.09	21.03	21.00	21.80	21.49	21.69	24.47	24.28	24.37	21.83	0.1524
60	1	160		20.57	20.65	20.58	21.04	21.09	21.25	23.82	23.89	23.94		
60	81	40		20.94	20.80	20.78	21.48	21.36	21.33	24.23	24.10	24.07		
60	1	0		19.21	19.03	19.11	19.77	19.54	19.76	22.51	22.30	22.46		
60	1	161		18.73	18.60	18.68	19.08	19.17	19.19	21.92	21.90	21.95		
60	162	0		19.43	19.26	19.28	19.93	19.84	19.85	22.70	22.57	22.58		
60	1	1	16-QAM	20.57	20.68	20.28	21.24	21.17	21.20	23.93	23.94	23.77	21.30	0.1349
60	1	1	64-QAM	19.08	19.03	19.17	19.44	19.57	19.57	22.27	22.32	22.38		
60	1	1	256-QAM	16.01	15.93	15.84	16.84	16.52	16.83	19.46	19.25	19.37		
Limit	EIRP < 1W			Result									Pass	



Part27Q NR n78 Maximum Average Power [dBm], DG = -2.64 dBi														
BW (MHz)	RB Size	RB Offset	Mod	Antenna 7			Antenna 1			Combine			EIRP (dBm)	EIRP (W)
				Lowest	Middle	Highest	Lowest	Middle	Highest	Lowest	Middle	Highest		
70	1	1	QPSK	21.05	21.30	21.10	21.76	21.51	21.73	24.43	24.42	24.44	21.80	0.1514
70	1	187		20.24	20.72	20.69	20.95	21.07	21.23	23.62	23.91	23.98		
70	95	47		20.89	20.74	20.87	21.36	21.42	21.55	24.14	24.10	24.23		
70	1	0		18.96	19.04	19.15	19.69	19.66	19.60	22.35	22.37	22.39		
70	1	188		18.42	18.54	18.53	18.88	19.25	19.35	21.67	21.92	21.97		
70	189	0		19.30	19.29	19.44	19.77	19.88	19.98	22.55	22.61	22.73		
70	1	1	16-QAM	20.58	20.63	20.31	21.01	21.06	21.11	23.81	23.86	23.74	21.22	0.1324
70	1	1	64-QAM	18.78	19.49	19.10	19.49	19.72	19.42	22.16	22.62	22.27		
70	1	1	256-QAM	16.35	15.95	16.14	16.58	16.82	16.88	19.48	19.42	19.54		
Limit	EIRP < 1W			Result									Pass	

Part27Q NR n78 Maximum Average Power [dBm], DG = -2.64 dBi														
BW (MHz)	RB Size	RB Offset	Mod	Antenna 7			Antenna 1			Combine			EIRP (dBm)	EIRP (W)
				Lowest	Middle	Highest	Lowest	Middle	Highest	Lowest	Middle	Highest		
80	1	1	QPSK	21.28	21.22	21.05	21.78	21.84	21.58	24.55	24.55	24.33	21.91	0.1552
80	1	215		20.55	20.20	20.45	21.19	21.12	21.26	23.89	23.69	23.88		
80	109	54		20.96	20.83	20.84	21.73	21.47	21.38	24.37	24.17	24.13		
80	1	0		19.18	19.18	19.04	19.87	19.89	19.55	22.55	22.56	22.31		
80	1	216		18.79	18.43	18.53	19.17	19.16	19.22	21.99	21.82	21.90		
80	217	0		19.36	19.34	19.26	20.18	19.91	19.83	22.80	22.64	22.56		
80	1	1	16-QAM	20.25	20.16	20.69	21.65	21.53	21.44	24.02	23.91	24.09	21.45	0.1396
80	1	1	64-QAM	19.00	18.46	19.46	19.99	19.43	19.70	22.53	21.98	22.59		
80	1	1	256-QAM	16.12	15.91	15.88	17.05	16.89	16.45	19.62	19.44	19.18		
Limit	EIRP < 1W			Result									Pass	



Part27Q NR n78 Maximum Average Power [dBm], DG = -2.64 dBi														
BW (MHz)	RB Size	RB Offset	Mod	Antenna 7			Antenna 1			Combine			EIRP (dBm)	EIRP (W)
				Lowest	Middle	Highest	Lowest	Middle	Highest	Lowest	Middle	Highest		
90	1	1	QPSK	21.11	20.87	21.07	21.80	21.88	21.80	24.48	24.41	24.46	21.84	0.1528
90	1	243		20.59	20.44	20.62	21.02	21.05	21.11	23.82	23.77	23.88		
90	123	61		20.94	20.81	20.88	21.50	21.43	21.50	24.24	24.14	24.21		
90	1	0		19.15	19.09	19.01	19.83	19.78	19.84	22.51	22.46	22.46		
90	1	244		18.51	18.49	18.39	19.03	19.14	19.06	21.79	21.84	21.75		
90	245	0	16-QAM	19.43	19.35	19.38	19.98	19.86	19.95	22.72	22.62	22.68	21.57	0.1435
90	1	1	64-QAM	20.90	20.68	20.86	21.22	21.66	21.19	24.07	24.21	24.04		
90	1	1	256-QAM	19.22	19.49	19.00	20.11	19.58	19.78	22.70	22.55	22.42		
90	1	1	256-QAM	16.12	15.92	16.04	16.74	17.06	17.04	19.45	19.54	19.58		
Limit	EIRP < 1W			Result									Pass	

Part27Q NR n78 Maximum Average Power [dBm], DG = -2.64 dBi														
BW (MHz)	RB Size	RB Offset	Mod	Antenna 7			Antenna 1			Combine			EIRP (dBm)	EIRP (W)
				Lowest	Middle	Highest	Lowest	Middle	Highest	Lowest	Middle	Highest		
100	1	1	QPSK	-	21.36	-	-	21.79	-	-	24.59	-	21.95	0.1567
100	1	271		-	20.44	-	-	21.16	-	-	23.83	-		
100	137	68		-	20.82	-	-	21.45	-	-	24.16	-		
100	1	0		-	19.40	-	-	19.80	-	-	22.61	-		
100	1	272		-	18.51	-	-	19.08	-	-	21.81	-		
100	273	0		-	19.30	-	-	19.88	-	-	22.61	-		
100	1	1	16-QAM	-	20.90	-	-	21.36	-	-	24.15	-	21.51	0.1416
100	1	1	64-QAM	-	19.25	-	-	19.87	-	-	22.58	-		
100	1	1	256-QAM	-	16.30	-	-	16.60	-	-	19.46	-		
Limit	EIRP < 1W			Result									Pass	



<TxD Mode>
MIMO <Ant. 6+1>

Part27Q NR n77 Maximum Average Power [dBm], DG = -0.16 dBi														
BW (MHz)	RB Size	RB Offset	Mod	Antenna 6			Antenna 1			Combine			EIRP (dBm)	EIRP (W)
				Lowest	Middle	Highest	Lowest	Middle	Highest	Lowest	Middle	Highest		
10	1	1	BPSK	25.29	25.36	25.24	25.72	25.60	25.40	28.52	28.49	28.33	28.39	0.6902
10	1	22		24.70	24.95	25.31	25.31	25.50	25.50	28.03	28.24	28.42		
10	12	6		25.16	25.14	25.32	25.52	25.44	25.61	28.35	28.30	28.48		
10	1	1	QPSK	25.35	25.08	25.59	25.36	25.03	25.49	28.37	28.07	28.55		
10	1	22		24.83	25.05	25.22	25.43	25.45	25.71	28.15	28.26	28.48		
10	12	6		24.92	25.15	25.22	25.18	25.34	25.70	28.06	28.26	28.48		
10	1	1	16-QAM	24.50	23.67	24.37	24.47	24.10	24.47	27.50	26.90	27.43	27.59	0.5741
10	1	22		24.09	24.06	24.54	24.05	23.86	24.93	27.08	26.97	27.75		
10	12	6		23.75	24.24	24.29	24.41	24.14	24.73	27.10	27.20	27.53		
Limit	EIRP < 1W			Result									Pass	

Part27Q NR n77 Maximum Average Power [dBm], DG = -0.16 dBi														
BW (MHz)	RB Size	RB Offset	Mod	Antenna 6			Antenna 1			Combine			EIRP (dBm)	EIRP (W)
				Lowest	Middle	Highest	Lowest	Middle	Highest	Lowest	Middle	Highest		
15	1	1	BPSK	25.25	25.43	25.49	25.74	25.16	25.55	28.51	28.31	28.53	28.38	0.6887
15	1	36		25.04	25.28	25.23	25.21	25.26	25.33	28.14	28.28	28.29		
15	18	9		24.99	25.09	25.39	25.35	25.33	25.57	28.18	28.22	28.49		
15	1	1	QPSK	25.45	25.53	25.30	25.41	25.17	25.74	28.44	28.36	28.54		
15	1	36		25.15	25.10	25.00	25.39	25.10	25.56	28.28	28.11	28.30		
15	18	9		25.20	25.44	25.46	25.40	25.34	25.55	28.31	28.40	28.52		
15	1	1	16-QAM	24.28	24.99	24.35	24.59	24.14	24.97	27.45	27.60	27.68	27.52	0.5649
15	1	36		24.42	23.97	23.65	24.70	24.01	24.63	27.57	27.00	27.18		
15	18	9		24.25	24.21	24.36	24.41	24.20	24.64	27.34	27.22	27.51		
Limit	EIRP < 1W			Result									Pass	



Part27Q NR n77 Maximum Average Power [dBm], DG = -0.16 dBi														
BW (MHz)	RB Size	RB Offset	Mod	Antenna 6			Antenna 1			Combine			EIRP (dBm)	EIRP (W)
				Lowest	Middle	Highest	Lowest	Middle	Highest	Lowest	Middle	Highest		
20	1	1	BPSK	25.21	25.09	25.45	25.49	25.61	25.49	28.36	28.37	28.48	28.57	0.7194
20	1	49		25.30	25.10	24.97	25.34	25.40	25.30	28.33	28.26	28.15		
20	25	12		25.08	25.16	25.41	25.37	25.25	25.40	28.24	28.22	28.42		
20	1	1	QPSK	25.67	25.28	25.34	25.76	25.36	25.51	28.73	28.33	28.44		
20	1	49		25.09	24.94	25.25	25.50	24.95	25.52	28.31	27.96	28.40		
20	25	12		25.09	25.28	25.32	25.33	25.28	25.51	28.22	28.29	28.43		
20	1	1	16-QAM	24.41	24.09	24.28	24.42	24.37	24.81	27.43	27.24	27.56	27.4	0.5495
20	1	49		24.13	24.21	24.17	24.08	23.88	24.49	27.12	27.06	27.34		
20	25	12		24.02	24.11	24.19	24.41	24.14	24.37	27.23	27.14	27.29		
Limit	EIRP < 1W			Result									Pass	

Part27Q NR n77 Maximum Average Power [dBm], DG = -0.16 dBi														
BW (MHz)	RB Size	RB Offset	Mod	Antenna 6			Antenna 1			Combine			EIRP (dBm)	EIRP (W)
				Lowest	Middle	Highest	Lowest	Middle	Highest	Lowest	Middle	Highest		
25	1	1	BPSK	25.49	25.09	25.39	25.44	25.38	25.12	28.48	28.25	28.27	28.55	0.7161
25	1	63		25.14	25.39	25.34	25.09	25.30	25.29	28.13	28.36	28.33		
25	32	16		25.31	25.17	25.45	25.49	25.28	25.54	28.41	28.24	28.51		
25	1	1	QPSK	25.62	25.51	25.45	25.77	25.18	25.58	28.71	28.36	28.53		
25	1	63		24.84	24.85	24.82	25.38	25.30	25.39	28.13	28.09	28.12		
25	32	16		25.26	25.18	25.35	25.43	25.29	25.53	28.36	28.25	28.45		
25	1	1	16-QAM	24.46	24.31	24.42	24.81	24.39	24.45	27.65	27.36	27.45	27.49	0.561
25	1	63		24.40	24.28	24.24	23.73	24.14	24.47	27.09	27.22	27.37		
25	32	16		24.36	24.22	24.24	24.63	24.24	24.46	27.51	27.24	27.36		
Limit	EIRP < 1W			Result									Pass	



Part27Q NR n77 Maximum Average Power [dBm], DG = -0.16 dBi														
BW (MHz)	RB Size	RB Offset	Mod	Antenna 6			Antenna 1			Combine			EIRP (dBm)	EIRP (W)
				Lowest	Middle	Highest	Lowest	Middle	Highest	Lowest	Middle	Highest		
30	1	1	BPSK	25.09	25.08	25.19	25.59	25.20	25.45	28.36	28.15	28.33	28.29	0.6745
30	1	76		24.93	24.77	25.26	24.79	25.15	25.34	27.87	27.97	28.31		
30	36	18		25.18	25.25	25.41	25.35	25.29	25.46	28.28	28.28	28.45		
30	1	1	QPSK	25.06	25.37	25.29	25.67	25.29	25.39	28.39	28.34	28.35		
30	1	76		25.11	25.10	25.21	24.97	25.21	25.32	28.05	28.17	28.28		
30	36	18		25.24	25.27	25.40	25.37	25.28	25.43	28.32	28.29	28.43		
30	1	1	16-QAM	23.85	23.93	24.06	24.04	24.03	23.64	26.96	26.99	26.87	27.24	0.5297
30	1	76		23.85	24.00	24.14	24.05	23.99	24.37	26.96	27.01	27.27		
30	36	18		24.11	24.24	24.33	24.42	24.23	24.44	27.28	27.25	27.40		
Limit	EIRP < 1W			Result									Pass	

Part27Q NR n77 Maximum Average Power [dBm], DG = -0.16 dBi														
BW (MHz)	RB Size	RB Offset	Mod	Antenna 6			Antenna 1			Combine			EIRP (dBm)	EIRP (W)
				Lowest	Middle	Highest	Lowest	Middle	Highest	Lowest	Middle	Highest		
40	1	1	BPSK	25.36	25.17	25.28	25.52	25.22	25.28	28.45	28.21	28.29	28.29	0.6745
40	1	104		25.16	25.17	24.93	25.17	24.95	25.31	28.18	28.07	28.13		
40	50	25		25.24	25.27	25.29	25.46	25.25	25.31	28.36	28.27	28.31		
40	1	1	QPSK	25.36	25.45	25.28	25.52	25.39	25.36	28.45	28.43	28.33		
40	1	104		25.13	24.95	25.06	25.02	25.04	25.27	28.09	28.01	28.18		
40	50	25		25.31	25.26	25.28	25.48	25.28	25.32	28.41	28.28	28.31		
40	1	1	16-QAM	24.44	24.48	24.20	24.57	24.43	24.34	27.52	27.47	27.28	27.36	0.5445
40	1	104		24.18	24.19	24.14	24.17	24.06	24.34	27.19	27.14	27.25		
40	50	25		24.29	24.18	24.28	24.46	24.24	24.36	27.39	27.22	27.33		
Limit	EIRP < 1W			Result									Pass	



Part27Q NR n77 Maximum Average Power [dBm], DG = -0.16 dBi														
BW (MHz)	RB Size	RB Offset	Mod	Antenna 6			Antenna 1			Combine			EIRP (dBm)	EIRP (W)
				Lowest	Middle	Highest	Lowest	Middle	Highest	Lowest	Middle	Highest		
50	1	1	BPSK	25.15	25.40	25.15	25.51	25.19	25.32	28.34	28.31	28.25	28.31	0.6776
50	1	131		25.00	25.02	24.84	24.97	25.01	25.21	28.00	28.03	28.04		
50	64	32		25.23	25.24	25.13	25.09	25.29	25.08	28.17	28.28	28.12		
50	1	1	QPSK	25.39	25.37	25.40	25.52	25.15	25.24	28.47	28.27	28.33		
50	1	131		24.88	25.15	24.94	25.04	25.01	25.21	27.97	28.09	28.09		
50	64	32		25.24	25.25	25.20	25.08	25.30	25.09	28.17	28.29	28.16		
50	1	1	16-QAM	24.12	24.52	24.43	24.35	24.25	24.12	27.25	27.40	27.29	27.24	0.5297
50	1	131		23.70	24.17	23.81	23.55	23.80	24.20	26.64	27.00	27.02		
50	64	32		24.23	24.19	24.17	24.13	24.26	24.06	27.19	27.24	27.13		
Limit	EIRP < 1W			Result									Pass	

Part27Q NR n77 Maximum Average Power [dBm], DG = -0.16 dBi														
BW (MHz)	RB Size	RB Offset	Mod	Antenna 6			Antenna 1			Combine			EIRP (dBm)	EIRP (W)
				Lowest	Middle	Highest	Lowest	Middle	Highest	Lowest	Middle	Highest		
60	1	1	BPSK	25.49	25.48	25.60	25.57	25.30	25.64	28.54	28.40	28.63	28.47	0.7031
60	1	160		24.81	25.14	24.97	25.05	25.09	25.30	27.94	28.13	28.15		
60	81	40		25.28	25.28	25.31	25.19	25.30	25.20	28.25	28.30	28.27		
60	1	1	QPSK	25.34	25.25	25.60	25.60	25.07	25.48	28.48	28.17	28.55		
60	1	160		24.95	25.13	25.10	25.02	25.16	25.32	28.00	28.16	28.22		
60	81	40		25.25	25.31	25.30	25.21	25.30	25.16	28.24	28.32	28.24		
60	1	1	16-QAM	24.26	24.50	24.52	24.60	24.46	24.27	27.44	27.49	27.41	27.33	0.5408
60	1	160		23.96	23.87	24.12	24.07	24.03	24.36	27.03	26.96	27.25		
60	81	40		24.23	24.28	24.28	24.16	24.35	24.18	27.21	27.33	27.24		
Limit	EIRP < 1W			Result									Pass	



Part27Q NR n77 Maximum Average Power [dBm], DG = -0.16 dBi														
BW (MHz)	RB Size	RB Offset	Mod	Antenna 6			Antenna 1			Combine			EIRP (dBm)	EIRP (W)
				Lowest	Middle	Highest	Lowest	Middle	Highest	Lowest	Middle	Highest		
70	1	1	BPSK	25.37	25.11	25.09	25.59	25.56	25.64	28.49	28.35	28.38	28.34	0.6823
70	1	187		24.61	24.98	24.98	24.74	25.16	25.25	27.69	28.08	28.13		
70	90	45		25.15	25.31	25.32	25.18	25.29	25.41	28.18	28.31	28.38		
70	1	1	QPSK	25.11	25.40	25.44	25.35	25.57	25.38	28.24	28.50	28.42		
70	1	187		24.98	25.17	25.22	24.65	25.10	25.16	27.83	28.15	28.20		
70	90	45		25.26	25.21	25.32	25.30	25.30	25.44	28.29	28.27	28.39		
70	1	1	16-QAM	24.06	24.58	24.95	23.78	24.74	24.73	26.93	27.67	27.85	27.69	0.5875
70	1	187		24.08	23.61	23.96	23.55	23.84	24.05	26.83	26.74	27.02		
70	90	45		24.27	24.25	24.34	24.26	24.25	24.34	27.28	27.26	27.35		
Limit	EIRP < 1W			Result									Pass	

Part27Q NR n77 Maximum Average Power [dBm], DG = -0.16 dBi														
BW (MHz)	RB Size	RB Offset	Mod	Antenna 6			Antenna 1			Combine			EIRP (dBm)	EIRP (W)
				Lowest	Middle	Highest	Lowest	Middle	Highest	Lowest	Middle	Highest		
80	1	1	BPSK	25.13	25.37	25.33	25.31	25.34	25.31	28.23	28.37	28.33	28.35	0.6839
80	1	215		24.55	25.21	24.86	24.77	25.24	25.20	27.67	28.24	28.04		
80	108	54		25.24	25.18	25.12	25.47	25.30	25.32	28.37	28.25	28.23		
80	1	1	QPSK	25.25	24.96	25.61	25.73	25.69	25.39	28.51	28.35	28.51		
80	1	215		24.81	24.81	24.80	24.83	25.32	25.21	27.83	28.08	28.02		
80	108	54		25.33	25.12	25.23	25.34	25.24	25.21	28.35	28.19	28.23		
80	1	1	16-QAM	24.61	24.59	24.73	24.37	24.60	24.23	27.50	27.61	27.50	27.45	0.5559
80	1	215		24.24	23.64	23.37	24.26	24.42	23.77	27.26	27.06	26.58		
80	108	54		24.33	24.21	24.11	24.40	24.24	24.23	27.38	27.24	27.18		
Limit	EIRP < 1W			Result									Pass	



Part27Q NR n77 Maximum Average Power [dBm], DG = -0.16 dBi														
BW (MHz)	RB Size	RB Offset	Mod	Antenna 6			Antenna 1			Combine			EIRP (dBm)	EIRP (W)
				Lowest	Middle	Highest	Lowest	Middle	Highest	Lowest	Middle	Highest		
90	1	1	BPSK	25.54	25.32	24.89	25.75	25.53	25.71	28.66	28.44	28.33	28.5	0.7079
90	1	243		25.04	24.98	25.06	25.29	25.12	24.99	28.18	28.06	28.04		
90	120	60		25.22	25.20	25.30	25.27	25.38	25.39	28.26	28.30	28.36		
90	1	1	QPSK	25.16	25.02	25.07	25.38	25.53	25.86	28.28	28.29	28.49		
90	1	243		24.54	24.56	24.64	24.88	24.93	25.00	27.72	27.76	27.83		
90	120	60		25.16	25.10	25.30	25.32	25.28	25.28	28.25	28.20	28.30		
90	1	1	16-QAM	24.32	23.80	24.24	23.58	24.56	24.18	26.98	27.21	27.22	27.14	0.5176
90	1	243		23.60	23.87	23.70	23.75	24.11	23.72	26.69	27.00	26.72		
90	120	60		24.28	24.22	24.25	24.28	24.21	24.32	27.29	27.23	27.30		
Limit	EIRP < 1W			Result									Pass	

Part27Q NR n77 Maximum Average Power [dBm], DG = -0.16 dBi														
BW (MHz)	RB Size	RB Offset	Mod	Antenna 6			Antenna 1			Combine			EIRP (dBm)	EIRP (W)
				Lowest	Middle	Highest	Lowest	Middle	Highest	Lowest	Middle	Highest		
100	1	1	BPSK	-	25.35	-	-	25.57	-	-	28.47	-	28.44	0.6982
100	1	271		-	24.90	-	-	25.10	-	-	28.01	-		
100	135	67		-	25.21	-	-	25.22	-	-	28.23	-		
100	1	1	QPSK	-	25.43	-	-	25.74	-	-	28.60	-		
100	1	271		-	24.69	-	-	24.92	-	-	27.82	-		
100	135	67		-	25.25	-	-	25.25	-	-	28.26	-		
100	1	1	16-QAM	-	24.43	-	-	24.66	-	-	27.56	-	27.4	0.5495
100	1	271		-	23.71	-	-	24.17	-	-	26.96	-		
100	135	67		-	24.22	-	-	24.25	-	-	27.25	-		
Limit	EIRP < 1W			Result									Pass	



MIMO <Ant. 7+5>

Part27Q NR n77 Maximum Average Power [dBm], DG = 2.57 dBi														
BW (MHz)	RB Size	RB Offset	Mod	Antenna 7			Antenna 5			Combine			EIRP (dBm)	EIRP (W)
				Lowest	Middle	Highest	Lowest	Middle	Highest	Lowest	Middle	Highest		
10	1	1	BPSK	22.50	23.07	22.81	23.44	23.62	23.62	26.01	26.36	26.24	28.96	0.787
10	1	22		22.30	22.97	22.70	23.47	23.46	23.44	25.93	26.23	26.10		
10	12	6		22.35	22.93	22.87	23.56	23.42	23.46	26.01	26.19	26.19		
10	1	1	QPSK	22.63	22.93	22.91	23.65	23.46	23.81	26.18	26.21	26.39		
10	1	22		22.51	22.77	22.82	23.33	23.41	23.50	25.95	26.11	26.18		
10	12	6		22.41	22.99	22.79	23.39	23.50	23.46	25.94	26.26	26.15		
10	1	1	16-QAM	22.42	22.97	23.01	23.41	23.56	23.56	25.95	26.29	26.30	28.87	0.7709
10	1	22		22.20	22.79	22.71	23.42	23.52	23.56	25.86	26.18	26.17		
10	12	6		22.41	22.86	22.86	23.59	23.51	23.51	26.05	26.21	26.21		
Limit	EIRP < 1W			Result									Pass	

Part27Q NR n77 Maximum Average Power [dBm], DG = 2.57 dBi														
BW (MHz)	RB Size	RB Offset	Mod	Antenna 7			Antenna 5			Combine			EIRP (dBm)	EIRP (W)
				Lowest	Middle	Highest	Lowest	Middle	Highest	Lowest	Middle	Highest		
15	1	1	BPSK	22.70	23.09	22.89	23.50	23.56	23.61	26.13	26.34	26.28	28.95	0.7852
15	1	36		22.49	22.73	22.66	23.44	23.46	23.45	26.00	26.12	26.08		
15	18	9		22.42	22.91	22.91	23.52	23.53	23.52	26.02	26.24	26.24		
15	1	1	QPSK	22.52	23.12	23.01	23.41	23.51	23.71	26.00	26.33	26.38		
15	1	36		22.45	22.72	22.87	23.51	23.42	23.44	26.02	26.09	26.17		
15	18	9		22.43	22.91	22.81	23.52	23.45	23.48	26.02	26.20	26.17		
15	1	1	16-QAM	22.70	23.01	22.93	23.44	23.54	23.66	26.10	26.29	26.32	28.89	0.7745
15	1	36		22.61	23.07	22.65	23.41	23.41	23.29	26.04	26.25	25.99		
15	18	9		22.52	22.91	22.82	23.51	23.48	23.42	26.05	26.21	26.14		
Limit	EIRP < 1W			Result									Pass	



Part27Q NR n77 Maximum Average Power [dBm], DG = 2.57 dBi														
BW (MHz)	RB Size	RB Offset	Mod	Antenna 7			Antenna 5			Combine			EIRP (dBm)	EIRP (W)
				Lowest	Middle	Highest	Lowest	Middle	Highest	Lowest	Middle	Highest		
20	1	1	BPSK	22.61	23.04	22.84	23.51	23.62	23.41	26.09	26.35	26.14	28.98	0.7907
20	1	49		22.31	22.74	22.62	23.46	23.35	23.27	25.93	26.07	25.97		
20	25	12		22.45	22.94	22.84	23.53	23.51	23.52	26.03	26.24	26.20		
20	1	1	QPSK	22.73	23.15	22.67	23.71	23.64	23.41	26.26	26.41	26.07		
20	1	49		22.45	22.91	22.71	23.56	23.57	23.55	26.05	26.26	26.16		
20	25	12		22.45	22.91	22.84	23.56	23.52	23.52	26.05	26.24	26.20		
20	1	1	16-QAM	22.61	22.97	22.93	23.71	23.47	23.42	26.21	26.24	26.19	28.82	0.7621
20	1	49		22.45	22.74	22.71	23.71	23.41	23.34	26.14	26.10	26.05		
20	25	12		22.49	22.96	22.84	23.56	23.50	23.55	26.07	26.25	26.22		
Limit	EIRP < 1W			Result									Pass	

Part27Q NR n77 Maximum Average Power [dBm], DG = 2.57 dBi														
BW (MHz)	RB Size	RB Offset	Mod	Antenna 7			Antenna 5			Combine			EIRP (dBm)	EIRP (W)
				Lowest	Middle	Highest	Lowest	Middle	Highest	Lowest	Middle	Highest		
25	1	1	BPSK	22.67	23.06	22.83	23.62	23.56	23.50	26.18	26.33	26.19	28.91	0.778
25	1	63		22.23	22.73	22.71	23.40	23.21	23.21	25.86	25.99	25.98		
25	32	16		22.52	22.87	22.83	23.67	23.50	23.50	26.14	26.21	26.19		
25	1	1	QPSK	22.61	22.99	22.84	23.81	23.64	23.51	26.26	26.34	26.20		
25	1	63		22.16	22.67	22.64	23.30	23.31	23.30	25.78	26.01	25.99		
25	32	16		22.57	22.95	22.81	23.73	23.49	23.45	26.20	26.24	26.15		
25	1	1	16-QAM	22.95	23.10	22.75	23.67	23.54	23.48	26.34	26.34	26.14	28.91	0.778
25	1	63		22.41	22.71	22.53	23.21	23.55	23.40	25.84	26.16	26.00		
25	32	16		22.62	22.96	22.90	23.75	23.56	23.50	26.23	26.28	26.22		
Limit	EIRP < 1W			Result									Pass	



Part27Q NR n77 Maximum Average Power [dBm], DG = 2.57 dBi														
BW (MHz)	RB Size	RB Offset	Mod	Antenna 7			Antenna 5			Combine			EIRP (dBm)	EIRP (W)
				Lowest	Middle	Highest	Lowest	Middle	Highest	Lowest	Middle	Highest		
30	1	1	BPSK	22.70	23.13	22.80	23.57	23.65	23.30	26.17	26.41	26.07	28.98	0.7907
30	1	76		22.06	22.70	22.70	23.32	23.31	23.41	25.75	26.03	26.08		
30	36	18		22.45	22.91	22.77	23.55	23.51	23.50	26.05	26.23	26.16		
30	1	1	QPSK	22.61	22.97	22.81	23.64	23.62	23.47	26.17	26.32	26.16		
30	1	76		21.91	22.66	22.55	23.21	23.31	23.30	25.62	26.01	25.95		
30	36	18		22.45	22.95	22.81	23.57	23.47	23.51	26.06	26.23	26.18		
30	1	1	16-QAM	22.74	23.36	22.87	23.50	23.45	23.61	26.15	26.42	26.27	28.99	0.7925
30	1	76		22.31	22.99	22.79	23.26	23.39	23.40	25.82	26.20	26.12		
30	36	18		22.51	22.94	22.83	23.53	23.54	23.52	26.06	26.26	26.20		
Limit	EIRP < 1W			Result									Pass	

Part27Q NR n77 Maximum Average Power [dBm], DG = 2.57 dBi														
BW (MHz)	RB Size	RB Offset	Mod	Antenna 7			Antenna 5			Combine			EIRP (dBm)	EIRP (W)
				Lowest	Middle	Highest	Lowest	Middle	Highest	Lowest	Middle	Highest		
40	1	1	BPSK	22.82	23.12	22.91	23.61	23.45	23.50	26.24	26.30	26.23	28.98	0.7907
40	1	104		22.21	22.37	22.59	23.47	23.03	23.36	25.90	25.72	26.00		
40	50	25		22.52	22.87	22.72	23.68	23.47	23.41	26.15	26.19	26.09		
40	1	1	QPSK	22.72	23.07	22.82	23.65	23.71	23.51	26.22	26.41	26.19		
40	1	104		22.03	22.33	22.62	23.41	23.16	23.19	25.78	25.78	25.92		
40	50	25		22.51	22.91	22.74	23.67	23.51	23.41	26.14	26.23	26.10		
40	1	1	16-QAM	23.01	23.26	22.72	23.62	23.82	23.93	26.34	26.56	26.38	29.13	0.8185
40	1	104		22.34	22.86	22.94	23.36	23.04	23.42	25.89	25.96	26.20		
40	50	25		22.46	22.91	22.79	23.65	23.45	23.43	26.11	26.20	26.13		
Limit	EIRP < 1W			Result									Pass	



Part27Q NR n77 Maximum Average Power [dBm], DG = 2.57 dBi														
BW (MHz)	RB Size	RB Offset	Mod	Antenna 7			Antenna 5			Combine			EIRP (dBm)	EIRP (W)
				Lowest	Middle	Highest	Lowest	Middle	Highest	Lowest	Middle	Highest		
50	1	1	BPSK	22.74	22.84	23.01	23.51	23.47	23.54	26.15	26.18	26.29	28.86	0.7691
50	1	131		22.13	22.35	22.44	23.23	23.11	23.21	25.73	25.76	25.85		
50	64	32		22.10	22.94	22.57	23.28	23.52	23.22	25.74	26.25	25.92		
50	1	1	QPSK	22.67	22.85	22.97	23.52	23.39	23.52	26.13	26.14	26.26		
50	1	131		21.87	22.29	22.43	23.40	23.22	23.23	25.71	25.79	25.86		
50	64	32		22.10	22.92	22.55	23.27	23.54	23.19	25.73	26.25	25.89		
50	1	1	16-QAM	22.71	22.80	23.24	23.83	23.47	23.50	26.32	26.16	26.38	28.95	0.7852
50	1	131		21.99	22.64	22.74	23.57	23.12	23.40	25.86	25.90	26.09		
50	64	32		22.13	22.92	22.60	23.32	23.56	23.20	25.78	26.26	25.92		
Limit	EIRP < 1W			Result									Pass	

Part27Q NR n77 Maximum Average Power [dBm], DG = 2.57 dBi														
BW (MHz)	RB Size	RB Offset	Mod	Antenna 7			Antenna 5			Combine			EIRP (dBm)	EIRP (W)
				Lowest	Middle	Highest	Lowest	Middle	Highest	Lowest	Middle	Highest		
60	1	1	BPSK	22.78	23.21	23.13	23.65	23.47	23.74	26.25	26.35	26.46	29.03	0.7998
60	1	160		21.82	22.47	22.46	23.11	22.97	23.26	25.52	25.74	25.89		
60	81	40		22.21	22.93	22.59	23.41	23.52	23.29	25.86	26.25	25.96		
60	1	1	QPSK	22.74	22.92	23.21	23.79	23.37	23.67	26.31	26.16	26.46		
60	1	160		21.83	22.47	22.56	23.25	23.41	23.16	25.61	25.98	25.88		
60	81	40		22.13	22.88	22.62	23.42	23.58	23.27	25.83	26.25	25.97		
60	1	1	16-QAM	22.92	23.05	23.14	23.76	23.71	23.71	26.37	26.40	26.44	29.01	0.7962
60	1	160		22.05	22.63	22.53	23.30	23.10	23.21	25.73	25.88	25.89		
60	81	40		22.19	22.94	22.60	23.41	23.49	23.29	25.85	26.23	25.97		
Limit	EIRP < 1W			Result									Pass	



Part27Q NR n77 Maximum Average Power [dBm], DG = 2.57 dBi														
BW (MHz)	RB Size	RB Offset	Mod	Antenna 7			Antenna 5			Combine			EIRP (dBm)	EIRP (W)
				Lowest	Middle	Highest	Lowest	Middle	Highest	Lowest	Middle	Highest		
70	1	1	BPSK	22.74	23.29	23.22	23.75	23.73	23.65	26.28	26.53	26.45	29.12	0.8166
70	1	187		21.41	22.57	22.56	23.15	23.20	23.18	25.38	25.91	25.89		
70	90	45		22.24	22.92	22.90	23.45	23.52	23.55	25.90	26.24	26.25		
70	1	1	QPSK	22.61	23.42	23.22	23.71	23.51	23.83	26.21	26.48	26.55		
70	1	187		21.60	22.57	22.47	22.93	23.26	23.32	25.33	25.94	25.93		
70	90	45		22.21	22.92	22.90	23.47	23.54	23.56	25.90	26.25	26.25		
70	1	1	16-QAM	23.02	23.59	23.46	23.76	24.00	23.75	26.42	26.81	26.62	29.38	0.867
70	1	187		21.61	22.21	22.54	23.26	23.16	23.18	25.52	25.72	25.88		
70	90	45		22.19	22.96	22.86	23.41	23.51	23.51	25.85	26.25	26.21		
Limit	EIRP < 1W			Result									Pass	

Part27Q NR n77 Maximum Average Power [dBm], DG = 2.57 dBi														
BW (MHz)	RB Size	RB Offset	Mod	Antenna 7			Antenna 5			Combine			EIRP (dBm)	EIRP (W)
				Lowest	Middle	Highest	Lowest	Middle	Highest	Lowest	Middle	Highest		
80	1	1	BPSK	22.67	23.44	23.24	23.84	23.99	23.47	26.30	26.73	26.37	29.3	0.8511
80	1	215		21.73	22.70	22.34	23.15	23.47	23.16	25.51	26.11	25.78		
80	108	54		22.35	22.95	22.84	23.57	23.51	23.41	26.01	26.25	26.14		
80	1	1	QPSK	22.72	23.22	23.09	23.91	23.72	23.33	26.37	26.49	26.22		
80	1	215		21.71	22.52	22.41	23.33	23.31	23.09	25.61	25.94	25.77		
80	108	54		22.35	22.91	22.84	23.61	23.52	23.50	26.04	26.24	26.19		
80	1	1	16-QAM	23.11	23.08	22.86	23.66	23.77	23.33	26.40	26.45	26.11	29.02	0.798
80	1	215		21.61	22.41	22.22	22.99	23.22	23.42	25.36	25.84	25.87		
80	108	54		22.37	22.97	22.81	23.65	23.53	23.47	26.07	26.27	26.16		
Limit	EIRP < 1W			Result									Pass	



Part27Q NR n77 Maximum Average Power [dBm], DG = 2.57 dBi														
BW (MHz)	RB Size	RB Offset	Mod	Antenna 7			Antenna 5			Combine			EIRP (dBm)	EIRP (W)
				Lowest	Middle	Highest	Lowest	Middle	Highest	Lowest	Middle	Highest		
90	1	1	BPSK	22.72	23.24	23.24	23.70	23.67	23.87	26.25	26.47	26.58	29.15	0.8222
90	1	243		21.75	22.33	22.31	23.15	23.18	22.77	25.52	25.79	25.56		
90	120	60		22.20	22.87	22.80	23.52	23.48	23.62	25.92	26.20	26.24		
90	1	1	QPSK	22.72	23.46	23.25	23.74	23.63	23.67	26.27	26.56	26.48		
90	1	243		21.75	22.47	22.47	23.24	23.06	22.94	25.57	25.79	25.72		
90	120	60		22.18	22.86	22.90	23.49	23.49	23.59	25.89	26.20	26.27		
90	1	1	16-QAM	22.96	23.47	23.15	23.70	23.32	23.70	26.36	26.41	26.44	29.01	0.7962
90	1	243		21.72	22.67	22.15	23.24	23.59	23.04	25.56	26.16	25.63		
90	120	60		22.19	22.90	22.91	23.54	23.51	23.60	25.93	26.23	26.28		
Limit	EIRP < 1W			Result									Pass	

Part27Q NR n77 Maximum Average Power [dBm], DG = 2.57 dBi														
BW (MHz)	RB Size	RB Offset	Mod	Antenna 7			Antenna 5			Combine			EIRP (dBm)	EIRP (W)
				Lowest	Middle	Highest	Lowest	Middle	Highest	Lowest	Middle	Highest		
100	1	1	BPSK	-	23.45	-	-	23.91	-	-	26.70	-	29.27	0.8453
100	1	271		-	22.47	-	-	23.16	-	-	25.84	-		
100	135	67		-	22.90	-	-	23.49	-	-	26.22	-		
100	1	1	QPSK	-	23.55	-	-	23.78	-	-	26.68	-		
100	1	271		-	22.32	-	-	23.06	-	-	25.72	-		
100	135	67		-	22.90	-	-	23.49	-	-	26.22	-		
100	1	1	16-QAM	-	23.38	-	-	24.07	-	-	26.75	-	29.32	0.8551
100	1	271		-	22.23	-	-	23.01	-	-	25.65	-		
100	135	67		-	22.87	-	-	23.49	-	-	26.20	-		
Limit	EIRP < 1W			Result									Pass	



MIMO <Ant. 6+5>

Part27Q NR n77 Maximum Average Power [dBm], DG = 2.43 dBi														
BW (MHz)	RB Size	RB Offset	Mod	Antenna 6			Antenna 5			Combine			EIRP (dBm)	EIRP (W)
				Lowest	Middle	Highest	Lowest	Middle	Highest	Lowest	Middle	Highest		
10	1	1	BPSK	23.65	23.74	23.97	23.52	23.62	23.68	26.60	26.69	26.84	29.34	0.859
10	1	22		23.42	23.69	23.81	23.42	23.54	23.57	26.43	26.63	26.70		
10	12	6		23.45	23.69	23.75	23.49	23.56	23.64	26.48	26.64	26.71		
10	1	1	QPSK	23.62	23.78	23.98	23.52	23.72	23.82	26.58	26.76	26.91		
10	1	22		23.33	23.84	22.76	23.45	23.62	23.58	26.40	26.74	26.20		
10	12	6		23.42	23.72	23.73	23.52	23.48	23.59	26.48	26.61	26.67		
10	1	1	16-QAM	23.56	23.85	24.05	23.62	23.65	23.64	26.60	26.76	26.86	29.29	0.8492
10	1	22		23.21	23.82	23.89	23.54	23.54	23.42	26.39	26.69	26.67		
10	12	6		23.45	23.75	23.75	23.57	23.55	23.56	26.52	26.66	26.67		
Limit	EIRP < 1W			Result									Pass	

Part27Q NR n77 Maximum Average Power [dBm], DG = 2.43 dBi														
BW (MHz)	RB Size	RB Offset	Mod	Antenna 6			Antenna 5			Combine			EIRP (dBm)	EIRP (W)
				Lowest	Middle	Highest	Lowest	Middle	Highest	Lowest	Middle	Highest		
15	1	1	BPSK	23.59	23.83	23.93	23.72	23.72	23.62	26.67	26.79	26.79	29.33	0.857
15	1	36		23.54	23.78	23.58	23.61	23.52	23.49	26.59	26.66	26.55		
15	18	9		23.51	23.68	23.89	23.59	23.52	23.59	26.56	26.61	26.75		
15	1	1	QPSK	23.76	23.76	24.02	23.64	23.71	23.75	26.71	26.75	26.90		
15	1	36		23.61	23.72	23.68	23.65	23.51	23.54	26.64	26.63	26.62		
15	18	9		23.45	23.71	23.88	23.54	23.68	23.62	26.51	26.71	26.76		
15	1	1	16-QAM	23.62	23.84	24.12	23.55	23.72	23.65	26.60	26.79	26.90	29.33	0.857
15	1	36		23.65	23.65	23.89	23.51	23.59	23.56	26.59	26.63	26.74		
15	18	9		23.45	23.68	23.87	23.55	23.62	23.52	26.51	26.66	26.71		
Limit	EIRP < 1W			Result									Pass	



Part27Q NR n77 Maximum Average Power [dBm], DG = 2.43 dBi														
BW (MHz)	RB Size	RB Offset	Mod	Antenna 6			Antenna 5			Combine			EIRP (dBm)	EIRP (W)
				Lowest	Middle	Highest	Lowest	Middle	Highest	Lowest	Middle	Highest		
20	1	1	BPSK	23.72	23.72	23.82	23.71	23.71	23.48	26.73	26.73	26.66	29.19	0.8299
20	1	49		23.57	23.56	23.67	23.68	23.45	23.42	26.64	26.52	26.56		
20	25	12		23.52	23.68	23.82	23.62	23.56	23.57	26.58	26.63	26.71		
20	1	1	QPSK	23.78	23.72	23.87	23.72	23.71	23.51	26.76	26.73	26.70		
20	1	49		23.61	23.66	23.65	23.63	23.46	23.54	26.63	26.57	26.61		
20	25	12		23.54	23.67	23.85	23.60	23.59	23.56	26.58	26.64	26.72		
20	1	1	16-QAM	23.72	23.77	23.45	23.88	23.71	23.64	26.81	26.75	26.56	29.24	0.8395
20	1	49		23.65	23.65	23.81	23.72	23.54	23.46	26.70	26.61	26.65		
20	25	12		23.52	23.68	23.84	23.61	23.58	23.58	26.58	26.64	26.72		
Limit	EIRP < 1W			Result									Pass	

Part27Q NR n77 Maximum Average Power [dBm], DG = 2.43 dBi														
BW (MHz)	RB Size	RB Offset	Mod	Antenna 6			Antenna 5			Combine			EIRP (dBm)	EIRP (W)
				Lowest	Middle	Highest	Lowest	Middle	Highest	Lowest	Middle	Highest		
25	1	1	BPSK	23.82	23.69	23.72	23.79	23.52	23.54	26.82	26.62	26.64	29.25	0.8414
25	1	63		23.61	23.52	23.64	23.35	23.34	23.31	26.49	26.44	26.49		
25	32	16		23.72	23.67	23.80	23.74	23.52	23.53	26.74	26.61	26.68		
25	1	1	QPSK	23.75	23.72	23.85	23.76	23.58	23.47	26.77	26.66	26.67		
25	1	63		23.61	23.61	23.51	23.34	23.44	23.35	26.49	26.54	26.44		
25	32	16		23.72	23.68	23.83	23.74	23.59	23.52	26.74	26.65	26.69		
25	1	1	16-QAM	23.94	23.85	23.85	23.68	23.64	23.27	26.82	26.76	26.58	29.25	0.8414
25	1	63		23.72	23.74	23.53	23.42	23.34	23.14	26.58	26.55	26.35		
25	32	16		23.69	23.72	23.80	23.76	23.58	23.52	26.74	26.66	26.67		
Limit	EIRP < 1W			Result									Pass	



Part27Q NR n77 Maximum Average Power [dBm], DG = 2.43 dBi														
BW (MHz)	RB Size	RB Offset	Mod	Antenna 6			Antenna 5			Combine			EIRP (dBm)	EIRP (W)
				Lowest	Middle	Highest	Lowest	Middle	Highest	Lowest	Middle	Highest		
30	1	1	BPSK	23.68	23.70	23.76	23.63	23.62	23.52	26.67	26.67	26.65	29.37	0.865
30	1	76		23.42	23.57	23.72	23.26	23.41	23.39	26.35	26.50	26.57		
30	36	18		23.61	23.72	23.79	23.56	23.61	23.52	26.60	26.68	26.67		
30	1	1	QPSK	23.85	23.72	23.85	23.78	23.65	23.52	26.83	26.70	26.70		
30	1	76		23.51	23.65	23.80	23.32	23.37	23.46	26.43	26.52	26.64		
30	36	18		24.51	23.65	23.82	23.25	23.55	23.56	26.94	26.61	26.70		
30	1	1	16-QAM	23.64	23.76	23.78	23.44	23.76	23.46	26.55	26.77	26.63	29.2	0.8318
30	1	76		23.35	23.64	23.78	23.24	23.45	23.42	26.31	26.56	26.61		
30	36	18		23.56	23.67	23.81	23.62	23.54	23.56	26.60	26.62	26.70		
Limit	EIRP < 1W			Result									Pass	

Part27Q NR n77 Maximum Average Power [dBm], DG = 2.43 dBi														
BW (MHz)	RB Size	RB Offset	Mod	Antenna 6			Antenna 5			Combine			EIRP (dBm)	EIRP (W)
				Lowest	Middle	Highest	Lowest	Middle	Highest	Lowest	Middle	Highest		
40	1	1	BPSK	23.86	23.82	23.78	23.73	23.64	23.62	26.81	26.74	26.71	29.26	0.8433
40	1	104		23.44	23.45	23.65	23.38	23.18	23.34	26.42	26.33	26.51		
40	50	25		23.69	23.67	23.67	23.71	23.52	23.41	26.71	26.61	26.55		
40	1	1	QPSK	23.87	23.79	23.93	23.76	23.62	23.65	26.83	26.72	26.80		
40	1	104		23.39	23.58	23.57	23.32	23.04	23.35	26.37	26.33	26.47		
40	50	25		23.69	23.68	23.72	23.72	23.57	23.46	26.72	26.64	26.60		
40	1	1	16-QAM	23.51	23.72	23.84	23.42	23.79	23.63	26.48	26.77	26.75	29.2	0.8318
40	1	104		23.21	23.95	23.75	23.45	23.16	23.57	26.34	26.58	26.67		
40	50	25		23.71	23.69	23.73	23.71	23.58	23.42	26.72	26.65	26.59		
Limit	EIRP < 1W			Result									Pass	



Part27Q NR n77 Maximum Average Power [dBm], DG = 2.43 dBi														
BW (MHz)	RB Size	RB Offset	Mod	Antenna 6			Antenna 5			Combine			EIRP (dBm)	EIRP (W)
				Lowest	Middle	Highest	Lowest	Middle	Highest	Lowest	Middle	Highest		
50	1	1	BPSK	23.74	23.71	23.63	23.74	23.52	23.51	26.75	26.63	26.58	29.18	0.8279
50	1	131		23.37	23.32	23.37	23.26	23.11	23.13	26.33	26.23	26.26		
50	64	32		23.31	23.62	23.59	23.37	23.57	23.25	26.35	26.61	26.43		
50	1	1	QPSK	23.69	23.20	23.84	23.70	23.63	23.62	26.71	26.43	26.74		
50	1	131		23.37	23.54	23.47	23.39	23.21	23.12	26.39	26.39	26.31		
50	64	32		23.50	23.64	23.62	23.23	23.54	23.26	26.38	26.60	26.45		
50	1	1	16-QAM	23.73	24.10	23.57	23.97	23.46	23.94	26.86	26.80	26.77	29.29	0.8492
50	1	131		23.42	23.64	23.16	23.46	22.91	23.09	26.45	26.30	26.14		
50	64	32		23.51	23.63	23.62	23.61	23.56	23.27	26.57	26.61	26.46		
Limit	EIRP < 1W			Result										

Part27Q NR n77 Maximum Average Power [dBm], DG = 2.43 dBi														
BW (MHz)	RB Size	RB Offset	Mod	Antenna 6			Antenna 5			Combine			EIRP (dBm)	EIRP (W)
				Lowest	Middle	Highest	Lowest	Middle	Highest	Lowest	Middle	Highest		
60	1	1	BPSK	23.82	23.68	23.84	23.87	23.86	23.75	26.86	26.78	26.81	29.29	0.8492
60	1	160		23.26	23.34	23.31	23.26	23.31	23.12	26.27	26.34	26.23		
60	81	40		23.61	23.62	23.73	23.41	23.51	23.36	26.52	26.58	26.56		
60	1	1	QPSK	23.82	23.76	23.90	23.60	23.72	23.72	26.72	26.75	26.82		
60	1	160		23.41	23.54	23.35	23.30	23.26	23.16	26.37	26.41	26.27		
60	81	40		23.63	23.60	23.71	23.45	23.46	23.34	26.55	26.54	26.54		
60	1	1	16-QAM	23.81	23.40	23.75	23.51	23.92	23.84	26.67	26.68	26.81	29.24	0.8395
60	1	160		23.64	23.64	23.44	23.12	23.24	23.13	26.40	26.45	26.30		
60	81	40		23.64	23.65	23.72	23.54	23.51	23.31	26.60	26.59	26.53		
Limit	EIRP < 1W			Result										



Part27Q NR n77 Maximum Average Power [dBm], DG = 2.43 dBi														
BW (MHz)	RB Size	RB Offset	Mod	Antenna 6			Antenna 5			Combine			EIRP (dBm)	EIRP (W)
				Lowest	Middle	Highest	Lowest	Middle	Highest	Lowest	Middle	Highest		
70	1	1	BPSK	23.74	23.81	23.84	23.83	23.89	23.63	26.80	26.86	26.75	29.29	0.8492
70	1	187		23.30	23.40	23.27	22.94	23.14	23.23	26.13	26.28	26.26		
70	90	45		23.55	23.62	23.75	23.52	23.54	23.58	26.55	26.59	26.68		
70	1	1	QPSK	23.80	23.77	23.89	23.82	23.91	23.62	26.82	26.85	26.77		
70	1	187		23.24	23.42	23.49	23.00	23.22	23.28	26.13	26.33	26.40		
70	90	45		23.53	23.65	23.68	23.52	23.64	23.61	26.54	26.66	26.66		
70	1	1	16-QAM	24.00	23.62	24.02	24.00	24.00	23.73	27.01	26.82	26.89	29.44	0.879
70	1	187		23.58	23.70	23.27	23.01	23.23	23.23	26.31	26.48	26.26		
70	90	45		23.54	23.64	23.76	23.49	23.52	23.65	26.53	26.59	26.72		
Limit	EIRP < 1W			Result									Pass	

Part27Q NR n77 Maximum Average Power [dBm], DG = 2.43 dBi														
BW (MHz)	RB Size	RB Offset	Mod	Antenna 6			Antenna 5			Combine			EIRP (dBm)	EIRP (W)
				Lowest	Middle	Highest	Lowest	Middle	Highest	Lowest	Middle	Highest		
80	1	1	BPSK	23.82	23.64	23.74	23.92	23.50	23.42	26.88	26.58	26.59	29.31	0.8531
80	1	215		23.33	23.46	23.54	23.02	23.15	23.12	26.19	26.32	26.35		
80	108	54		23.70	23.60	23.61	23.65	23.51	23.48	26.69	26.57	26.56		
80	1	1	QPSK	23.76	23.65	23.77	23.88	23.72	23.60	26.83	26.70	26.70		
80	1	215		23.23	23.44	23.29	23.21	23.34	23.13	26.23	26.40	26.22		
80	108	54		23.60	23.60	23.59	23.67	23.55	23.45	26.65	26.59	26.53		
80	1	1	16-QAM	24.16	23.69	24.03	23.70	23.67	23.63	26.95	26.69	26.84	29.38	0.867
80	1	215		23.10	23.34	23.51	23.17	23.25	23.25	26.15	26.31	26.39		
80	108	54		23.71	23.60	23.65	23.58	23.57	23.44	26.66	26.60	26.56		
Limit	EIRP < 1W			Result									Pass	



Part27Q NR n77 Maximum Average Power [dBm], DG = 2.43 dBi														
BW (MHz)	RB Size	RB Offset	Mod	Antenna 6			Antenna 5			Combine			EIRP (dBm)	EIRP (W)
				Lowest	Middle	Highest	Lowest	Middle	Highest	Lowest	Middle	Highest		
90	1	1	BPSK	23.86	23.64	23.72	23.75	23.63	23.74	26.82	26.65	26.74	29.25	0.8414
90	1	243		23.33	23.46	23.24	23.36	22.93	23.06	26.36	26.21	26.16		
90	120	60		23.59	23.61	23.73	23.51	23.48	23.62	26.56	26.56	26.69		
90	1	1	QPSK	23.82	23.52	23.61	23.77	23.82	23.72	26.81	26.68	26.68		
90	1	243		23.19	23.26	23.14	22.91	23.04	23.01	26.06	26.16	26.09		
90	120	60		23.62	23.58	23.72	23.50	23.50	23.62	26.57	26.55	26.68		
90	1	1	16-QAM	23.79	23.66	23.69	23.61	23.80	23.63	26.71	26.74	26.67	29.17	0.826
90	1	243		23.58	23.33	23.23	23.40	23.25	22.96	26.50	26.30	26.11		
90	120	60		23.60	23.60	23.72	23.49	23.51	23.65	26.56	26.57	26.70		
Limit	EIRP < 1W			Result									Pass	

Part27Q NR n77 Maximum Average Power [dBm], DG = 2.43 dBi														
BW (MHz)	RB Size	RB Offset	Mod	Antenna 6			Antenna 5			Combine			EIRP (dBm)	EIRP (W)
				Lowest	Middle	Highest	Lowest	Middle	Highest	Lowest	Middle	Highest		
100	1	1	BPSK	-	23.95	-	-	23.83	-	-	26.90	-	29.33	0.857
100	1	271		-	23.11	-	-	23.16	-	-	26.15	-		
100	135	67		-	23.63	-	-	23.52	-	-	26.59	-		
100	1	1	QPSK	-	23.84	-	-	23.62	-	-	26.74	-		
100	1	271		-	23.31	-	-	23.11	-	-	26.22	-		
100	135	67		-	23.66	-	-	23.55	-	-	26.62	-		
100	1	1	16-QAM	-	23.86	-	-	23.76	-	-	26.82	-	29.25	0.8414
100	1	271		-	23.10	-	-	23.09	-	-	26.11	-		
100	135	67		-	23.64	-	-	23.54	-	-	26.60	-		
Limit	EIRP < 1W			Result									Pass	



MIMO <Ant. 7+1>

Part27Q NR n77 Maximum Average Power [dBm], DG = 0.03 dBi														
BW (MHz)	RB Size	RB Offset	Mod	Antenna 7			Antenna 1			Combine			EIRP (dBm)	EIRP (W)
				Lowest	Middle	Highest	Lowest	Middle	Highest	Lowest	Middle	Highest		
10	1	1	BPSK	24.69	24.65	24.65	25.54	25.43	25.62	28.15	28.07	28.17	28.30	0.6761
10	1	22		24.41	24.62	24.45	25.41	25.32	25.57	27.95	27.99	28.06		
10	12	6		24.47	24.59	24.43	25.35	25.35	25.65	27.94	28.00	28.09		
10	1	1	QPSK	24.68	24.52	24.73	25.51	25.44	25.74	28.13	28.01	28.27		
10	1	22		24.46	24.67	24.55	25.43	25.38	25.54	27.98	28.05	28.08		
10	12	6		24.45	24.56	24.51	25.54	25.35	25.58	28.04	27.98	28.09		
10	1	1	16-QAM	23.81	23.86	23.82	24.76	24.72	24.66	27.32	27.32	27.27	27.35	0.5433
10	1	22		23.54	23.67	23.68	24.57	24.42	24.79	27.10	27.07	27.28		
10	12	6		23.58	23.65	23.64	24.51	24.49	24.81	27.08	27.10	27.27		
Limit	EIRP < 1W			Result									Pass	

Part27Q NR n77 Maximum Average Power [dBm], DG = 0.03 dBi														
BW (MHz)	RB Size	RB Offset	Mod	Antenna 7			Antenna 1			Combine			EIRP (dBm)	EIRP (W)
				Lowest	Middle	Highest	Lowest	Middle	Highest	Lowest	Middle	Highest		
15	1	1	BPSK	24.75	24.72	24.58	25.63	25.45	25.71	28.22	28.11	28.19	28.37	0.6871
15	1	36		24.62	24.52	24.32	25.47	25.35	25.56	28.08	27.97	27.99		
15	18	9		24.49	24.61	24.65	25.46	25.38	25.52	28.01	28.02	28.12		
15	1	1	QPSK	24.98	24.65	24.45	25.65	25.44	25.57	28.34	28.07	28.06		
15	1	36		24.62	24.42	24.71	25.47	25.34	25.62	28.08	27.91	28.20		
15	18	9		24.52	24.62	24.62	25.44	25.41	25.62	28.01	28.04	28.16		
15	1	1	16-QAM	23.85	23.56	23.75	24.72	24.45	24.85	27.32	27.04	27.35	27.51	0.5636
15	1	36		23.73	23.49	23.54	24.69	24.45	24.83	27.25	27.01	27.24		
15	18	9		23.58	24.48	23.63	24.54	24.45	24.60	27.10	27.48	27.15		
Limit	EIRP < 1W			Result									Pass	



Part27Q NR n77 Maximum Average Power [dBm], DG = 0.03 dBi														
BW (MHz)	RB Size	RB Offset	Mod	Antenna 7			Antenna 1			Combine			EIRP (dBm)	EIRP (W)
				Lowest	Middle	Highest	Lowest	Middle	Highest	Lowest	Middle	Highest		
20	1	1	BPSK	24.81	24.73	24.53	25.63	25.45	25.42	28.25	28.12	28.01	28.31	0.6776
20	1	49		24.62	24.43	24.26	25.45	25.17	25.44	28.07	27.83	27.90		
20	25	12		24.56	24.58	24.57	25.47	25.35	25.56	28.05	27.99	28.10		
20	1	1	QPSK	24.92	24.74	24.56	25.59	25.45	25.51	28.28	28.12	28.07		
20	1	49		24.68	24.52	24.27	25.45	25.39	25.45	28.09	27.99	27.91		
20	25	12		24.55	24.59	24.56	25.48	25.35	25.54	28.05	28.00	28.09		
20	1	1	16-QAM	23.92	23.74	23.74	24.78	24.45	24.48	27.38	27.12	27.14	27.41	0.5508
20	1	49		23.75	23.75	23.41	24.65	24.42	24.52	27.23	27.11	27.01		
20	25	12		23.67	23.68	23.71	24.62	24.41	24.65	27.18	27.07	27.22		
Limit	EIRP < 1W			Result									Pass	

Part27Q NR n77 Maximum Average Power [dBm], DG = 0.03 dBi														
BW (MHz)	RB Size	RB Offset	Mod	Antenna 7			Antenna 1			Combine			EIRP (dBm)	EIRP (W)
				Lowest	Middle	Highest	Lowest	Middle	Highest	Lowest	Middle	Highest		
25	1	1	BPSK	24.85	24.75	24.57	24.74	25.41	25.21	27.81	28.10	27.91	28.32	0.6792
25	1	63		24.65	24.52	24.32	25.22	25.17	25.32	27.95	27.87	27.86		
25	32	16		24.75	24.52	24.55	25.61	25.34	25.47	28.21	27.96	28.04		
25	1	1	QPSK	24.88	24.65	24.65	25.64	25.48	25.35	28.29	28.10	28.02		
25	1	63		24.77	24.48	24.23	25.20	25.02	25.42	28.00	27.77	27.88		
25	32	16		24.75	24.57	24.56	25.61	25.35	25.52	28.21	27.99	28.08		
25	1	1	16-QAM	24.02	23.68	23.48	24.73	24.62	24.65	27.40	27.19	27.12	27.43	0.5534
25	1	63		23.77	23.72	23.34	24.21	24.45	24.63	27.01	27.11	27.04		
25	32	16		23.84	23.69	23.66	24.72	24.49	24.54	27.31	27.12	27.13		
Limit	EIRP < 1W			Result									Pass	



Part27Q NR n77 Maximum Average Power [dBm], DG = 0.03 dBi														
BW (MHz)	RB Size	RB Offset	Mod	Antenna 7			Antenna 1			Combine			EIRP (dBm)	EIRP (W)
				Lowest	Middle	Highest	Lowest	Middle	Highest	Lowest	Middle	Highest		
30	1	1	BPSK	24.88	24.76	24.65	25.32	25.38	25.34	28.12	28.09	28.02	28.21	0.6622
30	1	76		24.52	24.78	24.35	25.13	25.25	25.54	27.85	28.03	28.00		
30	36	18		24.61	24.54	24.56	25.47	25.35	25.52	28.07	27.97	28.08		
30	1	1	QPSK	24.62	24.65	24.62	25.65	25.51	25.32	28.18	28.11	27.99		
30	1	76		24.45	24.12	24.32	25.06	25.26	25.53	27.78	27.74	27.98		
30	36	18		24.60	24.56	24.58	25.45	25.38	25.53	28.06	28.00	28.09		
30	1	1	16-QAM	23.92	23.63	23.72	24.74	24.49	24.45	27.36	27.09	27.11	27.39	0.5483
30	1	76		23.61	23.32	23.42	24.14	24.24	24.53	26.89	26.81	27.02		
30	36	18		23.71	23.65	23.67	24.51	24.48	24.61	27.14	27.10	27.18		
Limit	EIRP < 1W			Result									Pass	

Part27Q NR n77 Maximum Average Power [dBm], DG = 0.03 dBi														
BW (MHz)	RB Size	RB Offset	Mod	Antenna 7			Antenna 1			Combine			EIRP (dBm)	EIRP (W)
				Lowest	Middle	Highest	Lowest	Middle	Highest	Lowest	Middle	Highest		
40	1	1	BPSK	24.88	24.75	24.62	25.62	25.42	25.35	28.28	28.11	28.01	28.31	0.6776
40	1	104		24.45	24.42	24.16	25.24	25.01	25.35	27.87	27.74	27.81		
40	50	25		24.69	24.56	24.52	25.54	25.34	25.39	28.15	27.98	27.99		
40	1	1	QPSK	24.79	24.68	24.65	25.65	25.54	25.49	28.25	28.14	28.10		
40	1	104		24.45	24.35	24.27	25.26	25.01	25.45	27.88	27.70	27.91		
40	50	25		24.73	24.56	24.55	25.58	25.36	25.42	28.19	27.99	28.02		
40	1	1	16-QAM	24.02	23.89	23.62	24.84	24.62	24.43	27.46	27.28	27.05	28.33	0.6808
40	1	104		23.62	23.72	23.46	24.72	24.53	24.29	27.22	27.15	26.91		
40	50	25		25.84	23.65	23.65	24.65	24.46	24.48	28.30	27.08	27.10		
Limit	EIRP < 1W			Result									Pass	



Part27Q NR n77 Maximum Average Power [dBm], DG = 0.03 dBi														
BW (MHz)	RB Size	RB Offset	Mod	Antenna 7			Antenna 1			Combine			EIRP (dBm)	EIRP (W)
				Lowest	Middle	Highest	Lowest	Middle	Highest	Lowest	Middle	Highest		
50	1	1	BPSK	24.75	24.78	24.65	25.58	25.26	25.33	28.20	28.03	28.01	28.23	0.6653
50	1	131		24.23	24.26	24.15	25.11	25.03	25.36	27.70	27.67	27.81		
50	64	32		24.57	24.59	24.46	25.15	25.37	25.15	27.88	28.01	27.83		
50	1	1	QPSK	24.72	24.65	24.63	25.56	25.24	25.51	28.17	27.97	28.10		
50	1	131		24.19	24.35	24.09	25.02	25.10	25.35	27.64	27.75	27.78		
50	64	32		24.61	24.62	24.46	25.19	25.35	25.15	27.92	28.01	27.83		
50	1	1	16-QAM	24.12	23.94	23.86	24.84	24.82	24.07	27.51	27.41	26.98	27.54	0.5675
50	1	131		23.09	23.41	23.38	24.11	24.10	24.76	26.64	26.78	27.13		
50	64	32		23.72	23.65	23.53	24.27	24.44	24.21	27.01	27.07	26.89		
Limit	EIRP < 1W			Result									Pass	

Part27Q NR n77 Maximum Average Power [dBm], DG = 0.03 dBi														
BW (MHz)	RB Size	RB Offset	Mod	Antenna 7			Antenna 1			Combine			EIRP (dBm)	EIRP (W)
				Lowest	Middle	Highest	Lowest	Middle	Highest	Lowest	Middle	Highest		
60	1	1	BPSK	24.79	24.78	24.75	25.51	25.22	25.35	28.18	28.02	28.07	28.38	0.6887
60	1	160		24.29	24.21	24.23	25.09	25.14	25.23	27.72	27.71	27.77		
60	81	40		24.64	24.54	24.55	25.28	25.35	25.21	27.98	27.97	27.90		
60	1	1	QPSK	24.78	24.86	24.75	25.84	25.31	25.59	28.35	28.10	28.20		
60	1	160		24.32	24.32	24.18	25.18	25.18	25.35	27.78	27.78	27.81		
60	81	40		24.63	24.58	24.55	25.27	25.34	25.23	27.97	27.99	27.91		
60	1	1	16-QAM	23.75	23.98	23.92	24.48	24.72	24.71	27.14	27.38	27.34	27.41	0.5508
60	1	160		23.18	23.52	23.25	23.84	24.57	24.48	26.53	27.09	26.92		
60	81	40		23.74	23.65	23.63	24.35	24.46	24.32	27.07	27.08	27.00		
Limit	EIRP < 1W			Result									Pass	



Part27Q NR n77 Maximum Average Power [dBm], DG = 0.03 dBi														
BW (MHz)	RB Size	RB Offset	Mod	Antenna 7			Antenna 1			Combine			EIRP (dBm)	EIRP (W)
				Lowest	Middle	Highest	Lowest	Middle	Highest	Lowest	Middle	Highest		
70	1	1	BPSK	24.82	24.85	24.72	25.75	25.51	25.59	28.32	28.20	28.19	28.35	0.6839
70	1	187		24.23	24.12	24.27	24.81	25.11	25.32	27.54	27.65	27.84		
70	90	45		24.52	24.62	24.59	25.32	25.33	25.45	27.95	28.00	28.05		
70	1	1	QPSK	24.81	24.84	24.86	25.72	25.57	25.56	28.30	28.23	28.23		
70	1	187		24.15	24.16	24.13	24.96	25.18	25.28	27.58	27.71	27.75		
70	90	45		24.56	24.59	24.62	25.32	25.32	25.42	27.97	27.98	28.05		
70	1	1	16-QAM	24.32	23.95	23.98	24.72	24.54	24.52	27.53	27.27	27.27	27.56	0.5702
70	1	187		23.44	23.24	23.42	23.95	24.09	24.63	26.71	26.70	27.08		
70	90	45		23.65	23.65	23.72	24.43	24.44	24.48	27.07	27.07	27.13		
Limit	EIRP < 1W			Result									Pass	

Part27Q NR n77 Maximum Average Power [dBm], DG = 0.03 dBi														
BW (MHz)	RB Size	RB Offset	Mod	Antenna 7			Antenna 1			Combine			EIRP (dBm)	EIRP (W)
				Lowest	Middle	Highest	Lowest	Middle	Highest	Lowest	Middle	Highest		
80	1	1	BPSK	24.78	24.67	24.68	25.78	25.54	25.42	28.32	28.14	28.08	28.44	0.6982
80	1	215		24.12	24.15	24.03	25.10	25.21	25.24	27.65	27.72	27.69		
80	108	54		24.66	24.55	24.51	25.43	25.34	25.33	28.07	27.97	27.95		
80	1	1	QPSK	25.01	24.65	24.75	25.75	25.55	25.35	28.41	28.13	28.07		
80	1	215		24.02	24.22	24.12	24.97	25.24	25.24	27.53	27.77	27.73		
80	108	54		24.68	24.55	24.55	25.45	25.32	25.32	28.09	27.96	27.96		
80	1	1	16-QAM	23.92	23.68	24.08	24.89	24.95	24.62	27.44	27.37	27.37	27.47	0.5585
80	1	215		23.37	23.24	23.25	24.51	24.62	24.18	26.99	26.99	26.75		
80	108	54		23.72	23.67	23.65	24.52	24.42	24.45	27.15	27.07	27.08		
Limit	EIRP < 1W			Result									Pass	



Part27Q NR n77 Maximum Average Power [dBm], DG = 0.03 dBi														
BW (MHz)	RB Size	RB Offset	Mod	Antenna 7			Antenna 1			Combine			EIRP (dBm)	EIRP (W)
				Lowest	Middle	Highest	Lowest	Middle	Highest	Lowest	Middle	Highest		
90	1	1	BPSK	24.80	24.65	24.62	25.62	25.52	25.72	28.24	28.12	28.22	28.30	0.6761
90	1	243		24.14	23.95	24.12	25.19	25.09	25.18	27.71	27.57	27.69		
90	120	60		24.55	24.56	24.65	25.33	25.35	25.41	27.97	27.99	28.06		
90	1	1	QPSK	24.75	24.72	24.67	25.72	25.51	25.67	28.27	28.14	28.21		
90	1	243		23.96	24.03	23.92	25.14	25.15	25.03	27.60	27.64	27.52		
90	120	60		24.63	24.54	24.65	25.34	25.32	25.47	28.01	27.96	28.09		
90	1	1	16-QAM	23.45	23.67	23.62	24.47	24.68	24.86	27.00	27.21	27.29	27.32	0.5395
90	1	243		23.31	23.04	23.10	24.31	24.32	24.15	26.85	26.74	26.67		
90	120	60		23.67	23.68	23.70	24.42	24.43	24.57	27.07	27.08	27.17		
Limit	EIRP < 1W			Result									Pass	

Part27Q NR n77 Maximum Average Power [dBm], DG = 0.03 dBi														
BW (MHz)	RB Size	RB Offset	Mod	Antenna 7			Antenna 1			Combine			EIRP (dBm)	EIRP (W)
				Lowest	Middle	Highest	Lowest	Middle	Highest	Lowest	Middle	Highest		
100	1	1	BPSK	-	24.82	-	-	25.75	-	-	28.32	-	28.35	0.6839
100	1	271		-	24.04	-	-	25.04	-	-	27.58	-		
100	135	67		-	24.51	-	-	25.33	-	-	27.95	-		
100	1	1	QPSK	-	24.75	-	-	25.73	-	-	28.28	-		
100	1	271		-	24.05	-	-	25.12	-	-	27.63	-		
100	135	67		-	24.55	-	-	25.33	-	-	27.97	-		
100	1	1	16-QAM	-	24.05	-	-	24.78	-	-	27.44	-	27.47	0.5585
100	1	271		-	23.09	-	-	24.17	-	-	26.67	-		
100	135	67		-	23.64	-	-	24.41	-	-	27.05	-		
Limit	EIRP < 1W			Result									Pass	



FR1 n77 HPUE

<SISO Mode>

Peak-to-Average Ratio

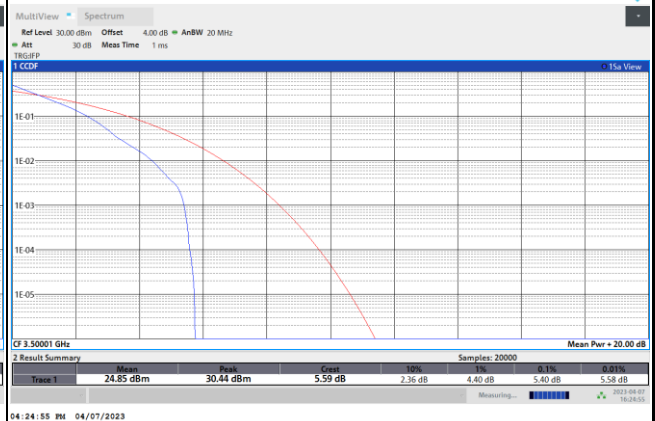
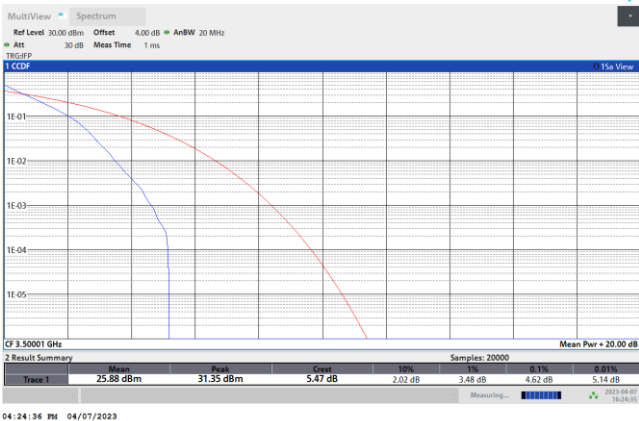
Mode	FR1 n77 / 20MHz / DFT-S OFDM				
Mod.	PI/2 BPSK	QPSK	16QAM	64QAM	Limit: 13dB
RB Size	Full RB	Full RB	Full RB	Full RB	Result
Middle CH	4.62	5.40	5.58	5.64	PASS
Mode	FR1 n77 / 20MHz / DFT-S OFDM				
Mod.	256QAM				Limit: 13dB
RB Size	Full RB				Result
Middle CH	6.44				PASS



FR1 n77 / 20MHz / DFT-S OFDM / Middle Channel / Full RB

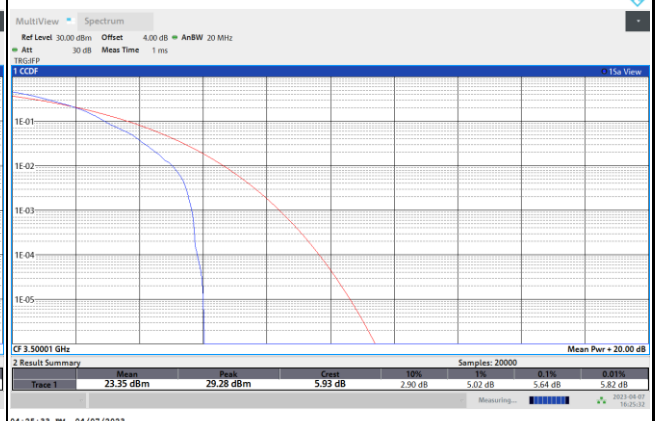
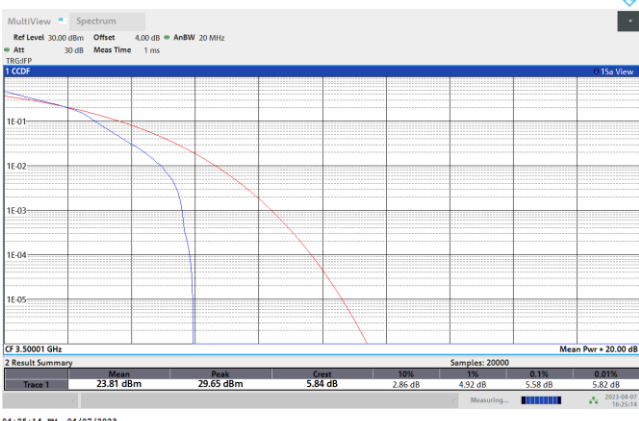
PI/2 BPSK

QPSK

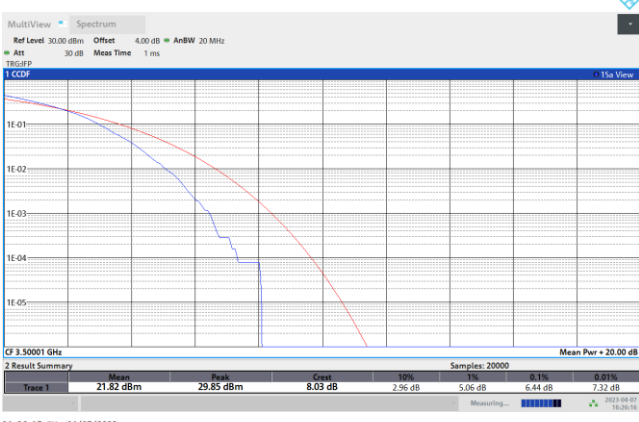


16QAM

64QAM



256QAM





26dB Bandwidth

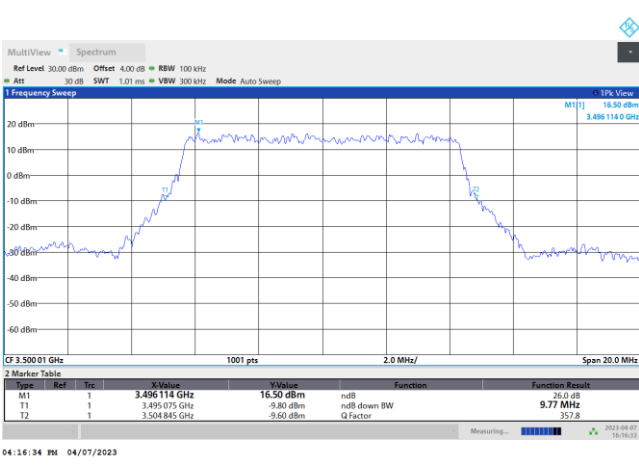
Mode	FR1 n77 : 26dB BW(MHz) / DFT-S OFDM							
BW	10MHz	15MHz	20MHz	25MHz	30MHz	40MHz	50MHz	60MHz
Mod.	PI/2 BPSK	PI/2 BPSK	PI/2 BPSK	PI/2 BPSK	PI/2 BPSK	PI/2 BPSK	PI/2 BPSK	PI/2 BPSK
Middle CH	9.77	14.57	19.50	24.48	28.83	38.84	49.35	62.82
BW	70MHz	80MHz	90MHz	100MHz				
Mod.	PI/2 BPSK	PI/2 BPSK	PI/2 BPSK	PI/2 BPSK				
Middle CH	69.09	81.20	91.35	101.10				

Mode	FR1 n77 : 26dB BW(MHz) / CP OFDM							
BW	10MHz		15MHz		20MHz		25MHz	
Mod.	QPSK	16QAM	QPSK	16QAM	QPSK	16QAM	QPSK	16QAM
Middle CH	9.73	9.55	15.02	15.05	19.98	19.94	25.18	25.08
Mod.	64QAM	256QAM	64QAM	256QAM	64QAM	256QAM	64QAM	256QAM
Middle CH	9.57	9.71	15.11	15.17	19.94	19.86	24.98	25.03
BW	30MHz		40MHz		50MHz		60MHz	
Mod.	QPSK	16QAM	QPSK	16QAM	QPSK	16QAM	QPSK	16QAM
Middle CH	29.85	29.67	41.48	41.88	51.15	51.85	61.14	62.34
Mod.	64QAM	256QAM	64QAM	256QAM	64QAM	256QAM	64QAM	256QAM
Middle CH	29.49	29.55	41.56	41.80	51.05	50.55	61.98	60.78
BW	70MHz		80MHz		90MHz		100MHz	
Mod.	QPSK	16QAM	QPSK	16QAM	QPSK	16QAM	QPSK	16QAM
Middle CH	72.17	71.05	81.84	82.64	92.97	93.15	102.90	102.50
Mod.	64QAM	256QAM	64QAM	256QAM	64QAM	256QAM	64QAM	256QAM
Middle CH	71.75	71.89	83.28	82.16	90.99	91.89	102.30	103.10



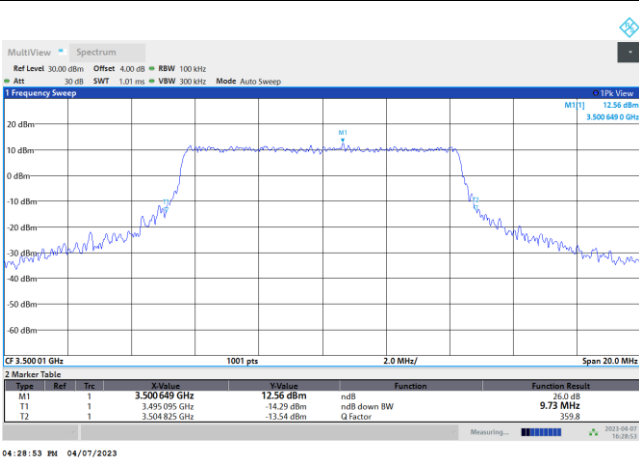
FR1 n77 / 10MHz / DFT-S OFDM / Middle Channel / Full RB

PI/2 BPSK

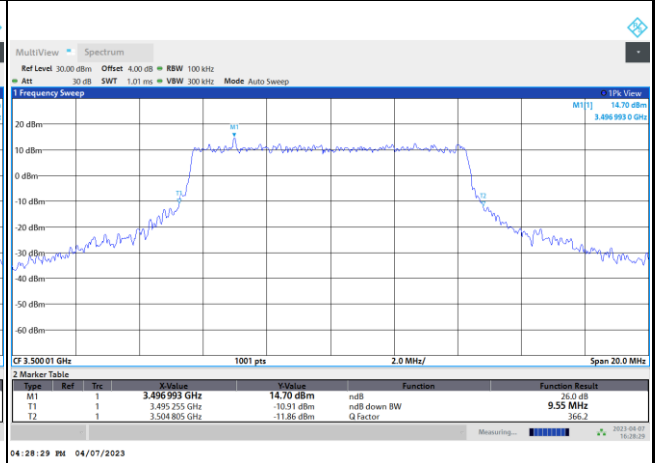


FR1 n77 / 10MHz / CP OFDM / Middle Channel / Full RB

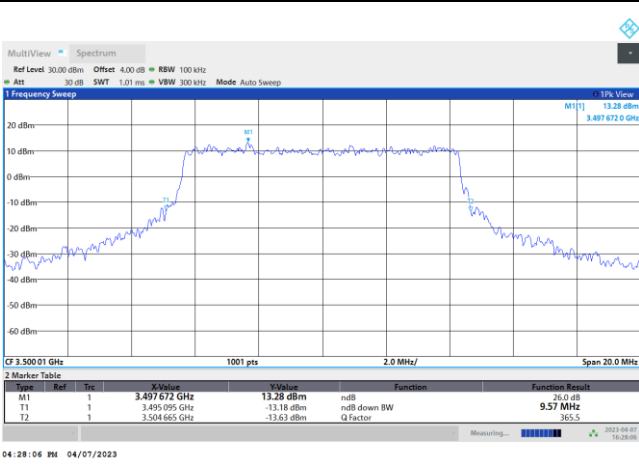
QPSK



16QAM



64QAM



256QAM

