



# FCC Part 96.47 TEST REPORT

**FCC ID** : A4RG8HHN  
**Equipment** : Phone  
**Model Name** : G8HHN  
**Applicant** : Google LLC  
1600 Amphitheatre Parkway,  
Mountain View, California, 94043 USA  
**Standard** : FCC Part 96.47  
**RF Interface** : LTE B48

The product was received on Aug. 25, 2023, and testing was performed from Sep. 20, 2023 to Sep. 21, 2023. We, Sporton International Inc. Wensan Laboratory, would like to declare that the tested sample has been evaluated in accordance with the test procedures and has been in compliance with the applicable technical standards.

The test results in this report apply exclusively to the tested model / sample. Without written approval of Sporton International Inc. Wensan Laboratory, the test report shall not be reproduced except in full.

---

Approved by: Jones Tsai

**Sporton International Inc. Wensan Laboratory**

No.58, Aly. 75, Ln. 564, Wenhua 3rd, Rd., Guishan Dist., Taoyuan City 333010, Taiwan (R.O.C.)



## Table of Contents

**History of this test report.....3**

**Summary of Test Result.....4**

**1 General Description .....5**

    1.1 Product Feature of Equipment Under Test.....5

    1.2 Modification of EUT .....5

    1.3 Testing Location .....6

    1.4 Applicable Standards.....6

**2 Test Configuration of Equipment Under Test .....7**

    2.1 Connection Diagram of Test System.....7

**3 End User Device additional requirement .....8**

    3.1 Test Requirement .....8

    3.2 Test Procedure .....8

    3.3 Test Result.....9

**4 List of Measuring Equipment.....11**

**Appendix A. Setup Photographs**



### History of this test report

Report No.	Version	Description	Issue Date
FG380306H	01	Initial issue of report	Nov. 14, 2023



### Summary of Test Result

Report Clause	Ref Std. Clause	Test Items	Result (PASS/FAIL)	Remark
3	96.47	End User Device additional requirement	Pass	-

**Conformity Assessment Condition:**

The test results (PASS/FAIL) with all measurement uncertainty excluded are presented against the regulation limits or in accordance with the requirements stipulated by the applicant/manufacture who shall bear all the risks of non-compliance that may potentially occur if measurement uncertainty is taken into account.

**Disclaimer:**

The product specifications of the EUT presented in the test report that may affect the test assessments are declared by the manufacturer who shall take full responsibility for the authenticity.

Reviewed by: William Chen

Report Producer: Ming Chen



# 1 General Description

## 1.1 Product Feature of Equipment Under Test

Product Feature
<p><b>General Specs</b> GSM/WCDMA/LTE/5G NR, Bluetooth, BLE, BLE channel sounding, Wi-Fi 2.4GHz 802.11b/g/n/ac/ax, Wi-Fi 5GHz 802.11a/n/ac/ax, Wi-Fi 6GHz 802.11a/ax, NFC, WPC Rx and GNSS Rx.</p> <p><b>Antenna Type</b> WWAN: &lt;Ant. 0&gt;: ILA Antenna &lt;Ant. 1&gt;: ILA Antenna &lt;Ant. 2&gt;: IFA Antenna &lt;Ant. 5&gt;: IFA Antenna &lt;Ant. 6&gt;: IFA Antenna</p>

**Remark:** The above EUT's information was declared by manufacturer. Please refer to Disclaimer in report summary.

EUT Information List	
S/N	Performed Test Item
38011JEKB00251	Conducted Measurement

## 1.2 Modification of EUT

No modifications are made to the EUT during all test items.



### 1.3 Testing Location

<b>Test Site</b>	Sporton International Inc. Wensan Laboratory
<b>Test Site Location</b>	No.58, Aly. 75, Ln. 564, Wenhua 3rd, Rd., Guishan Dist., Taoyuan City 333010, Taiwan (R.O.C.) TEL: +886-3-327-0868 FAX: +886-3-327-0855
<b>Test Site No.</b>	<b>Sporton Site No.</b> TH05-HY
<b>Test Engineer</b>	Leon Huang
<b>Temperature</b>	22 ~ 25 °C
<b>Relative Humidity</b>	41 ~ 45 %

FCC designation No.: TW3786

### 1.4 Applicable Standards

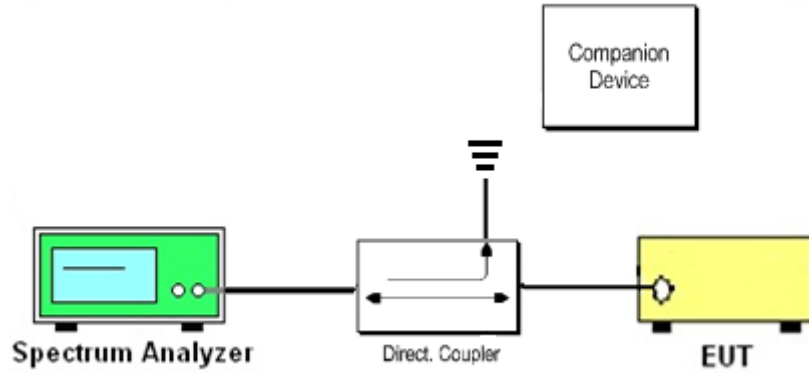
- ♦ FCC Part 96.47
- ♦ FCC KDB 940660 D01 Part 96 CBRS Eqpt v03
- ♦ WINNF-TS-0122-V1.0.2 CBRS CBSD Test Specification

**Remark:**

1. All test items were verified and recorded according to the standards and without any deviation during the test.
2. The TAF code is not including all the FCC KDB listed without accreditation.

## 2 Test Configuration of Equipment Under Test

### 2.1 Connection Diagram of Test System



The companion device is certified CBSD (FCC ID: S9GQ710US02)



### 3 End User Device additional requirement

#### 3.1 Test Requirement

FCC Part 96.47

(a) End User Devices may operate only if they can positively receive and decode an authorization signal transmitted by a CBSD, including the frequencies and power limits for their operation.

(1) An End User Device must discontinue operations, change frequencies, or change its operational power level within 10 seconds of receiving instructions from its associated CBSD.

#### 3.2 Test Procedure

Following procedure can be done by applying WINNF-TS-0122-V1.0.2 CBRS CBSD Test Specification, use the certified Ruckus CBSD (FCC ID: S9GQ710US02) as companion device to show compliance with Part 96.47 requirement for End User Device (EUD):

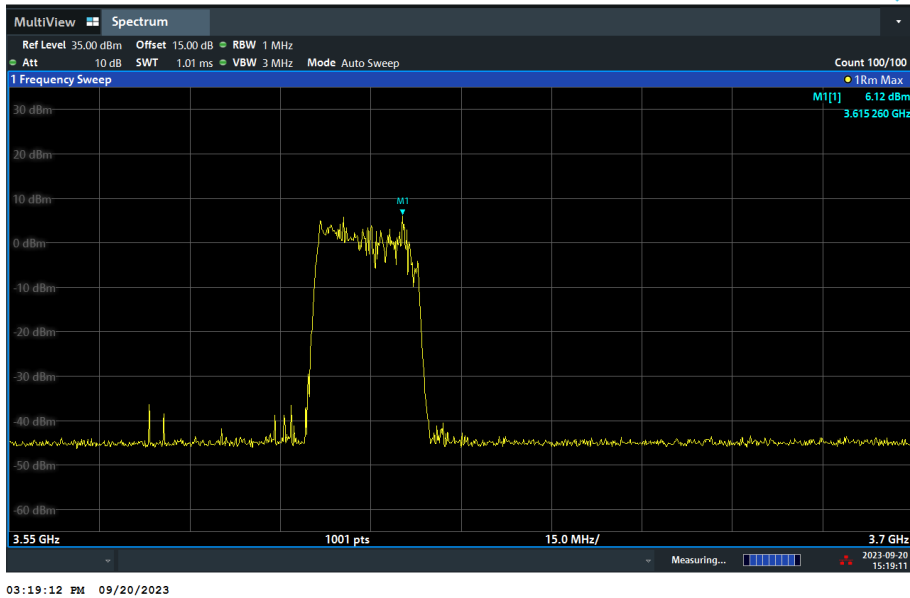
1. Configure SAS granted CBSD to operate at frequency 3600-3620 MHz and power level 20 dBm/MHz
2. Enable AP service from Ruckus Cloud management
3. Check EUD Tx Frequency and power
4. Disable AP service from Ruckus Cloud management
  - a. Check EUD stops transmission within 10 seconds.
  
5. Configure SAS granted CBSD to operate at frequency 3670-3690 MHz & power level 10 dBm/MHz
6. Enable AP service from Ruckus Cloud management
7. Check EUD Tx Frequency and power
8. Disable AP service from Ruckus Cloud management
  - a. Check EUD stops transmission within 10 seconds.



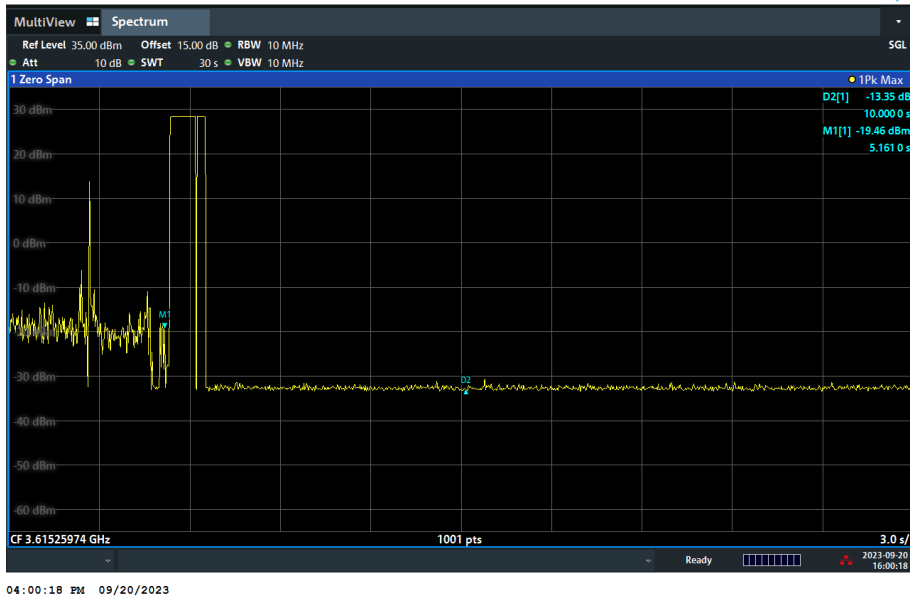
### 3.3 Test Result

[Step 1] Configure SAS granted CBSD to operate at frequency 3600-3620 MHz and power level 20 dBm/MHz

[Step 3] Check EUD Tx Frequency and power

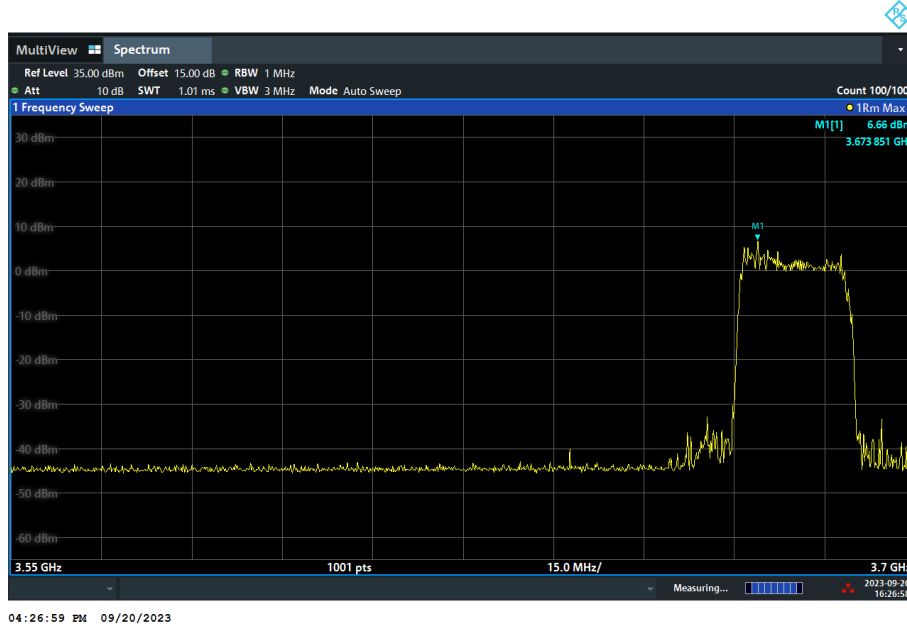


[Step 4.a.] EUD stops transmission within 10 seconds of receiving instructions from its associated CBSD.



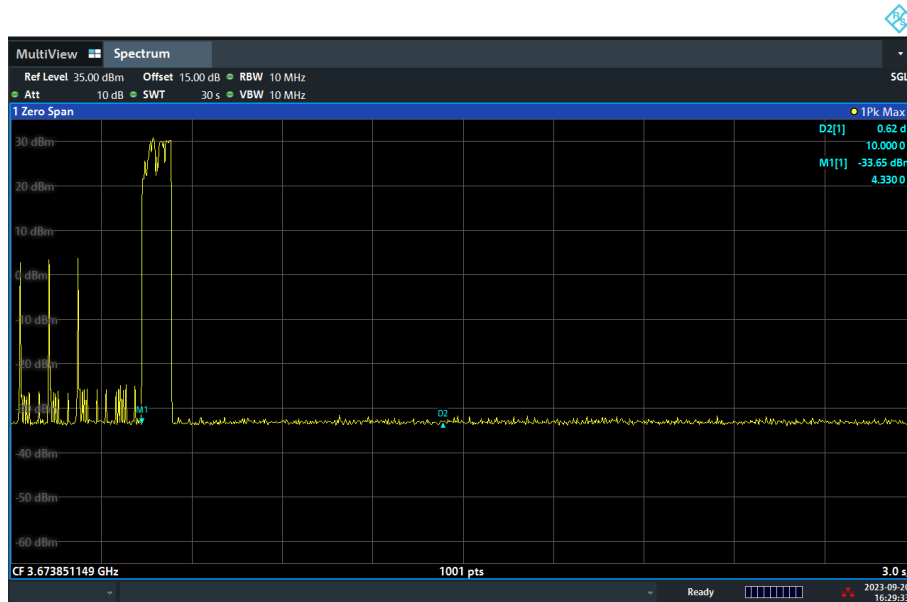
[Step 5] Configure SAS granted CBSD to operate at frequency 3670-3690 MHz & power level 10 dBm/MHz

[Step 7] Check EUD Tx Frequency and power



04:26:59 PM 09/20/2023

[Step 8.a.] After changing the frequency and power level, The module (EUT) discontinues operations, change frequencies, or change its operational power level within 10 seconds of receiving instructions from its associated CBSD. Test result is PASS.



04:29:34 PM 09/20/2023



## 4 List of Measuring Equipment

Instrument	Brand Name	Model No.	Serial No.	Characteristics	Calibration Date	Test Date	Due Date	Remark
Spectrum Analyzer	R&S	FSV3044	101467	10Hz~44GHz	Feb. 01, 2023	Sep. 20, 2023~ Sep. 21, 2023	Jan. 31, 2024	Conducted (TH05-HY)
Programmable Power Supply	GW Instek	PSS-2005	EL890001	1V~20V 0.5A~4A	Sep. 12, 2023	Sep. 20, 2023~ Sep. 21, 2023	Sep. 11, 2024	Conducted (TH05-HY)

————THE END————