

# HAC\_E\_Dipole\_835

## DUT: HAC-Dipole 835 MHz

Communication System: CW; Frequency: 835 MHz; Duty Cycle: 1:1

Medium: Air Medium parameters used:  $\sigma = 0 \text{ S/m}$ ,  $\epsilon_r = 1$ ;  $\rho = 0 \text{ kg/m}^3$

Ambient Temperature : 23.4 °C

DASY5 Configuration:

- Probe: EF3DV3 - SN4047; ConvF(1, 1, 1) @ 835 MHz; Calibrated: 2023/1/17
- Sensor-Surface: (Fix Surface)
- Electronics: DAE3 Sn577; Calibrated: 2022/9/21
- Phantom: HAC Test Arch with AMCC; Type: SD HAC P01 BA;
- Measurement SW: DASY52, Version 52.10 (4); SEMCAD X Version 14.6.14 (7501)

### E Scan - measurement distance from the probe sensor center to CD835 = 10mm & 15mm/Hearing Aid Compatibility Test at 15mm distance (41x361x1): Interpolated grid: dx=0.5000 mm, dy=0.5000 mm

Device Reference Point: 0, 0, -6.3 mm

Reference Value = 135.4 V/m; Power Drift = -0.00 dB

PMR not calibrated. PMF = 1.000 is applied.

E-field emissions = 119.7 V/m

Average value of Total=(119.7+112.9) / 2 = 116.3 V/m

PMF scaled E-field

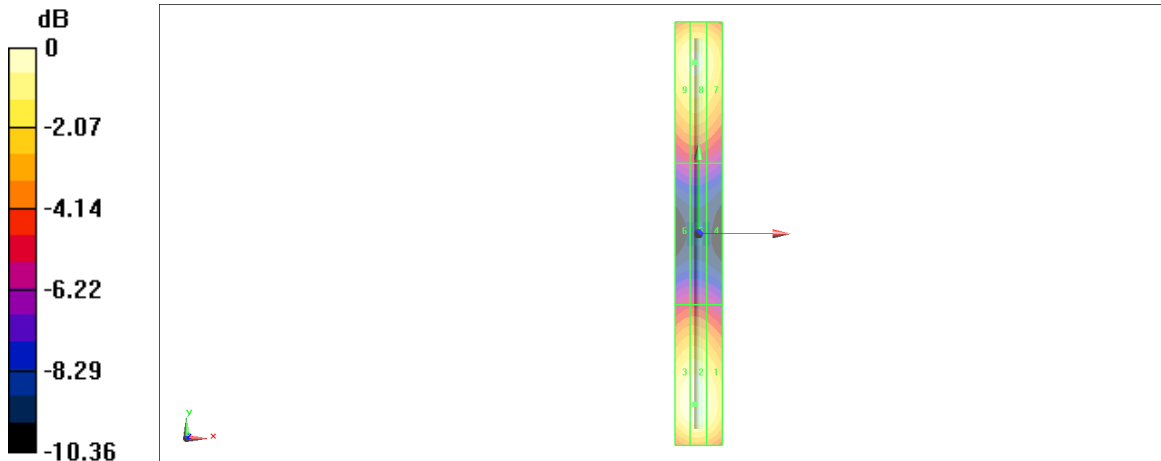
Grid 1 M4 <b>114.4 V/m</b>	Grid 2 M4 <b>119.7 V/m</b>	Grid 3 M4 <b>119.0 V/m</b>
Grid 4 M4 <b>63.41 V/m</b>	Grid 5 M4 <b>66.26 V/m</b>	Grid 6 M4 <b>66.21 V/m</b>
Grid 7 M4 <b>108.0 V/m</b>	Grid 8 M4 <b>112.9 V/m</b>	Grid 9 M4 <b>112.3 V/m</b>

**Cursor:**

Total = 119.7 V/m

E Category: M4

Location: -1.5, -72.5, 9.7 mm



0 dB = 119.7 V/m = 41.56 dBV/m

# HAC\_E\_Dipole\_1880

## DUT: HAC Dipole 1880 MHz

Communication System: CW; Frequency: 1880 MHz; Duty Cycle: 1:1

Medium: Air Medium parameters used:  $\sigma = 0 \text{ S/m}$ ,  $\epsilon_r = 1$ ;  $\rho = 0 \text{ kg/m}^3$

Ambient Temperature : 23.4 °C

DASY5 Configuration:

- Probe: EF3DV3 - SN4047; ConvF(1, 1, 1) @ 1880 MHz; Calibrated: 2023/1/17
- Sensor-Surface: (Fix Surface)
- Electronics: DAE3 Sn577; Calibrated: 2022/9/21
- Phantom: HAC Test Arch with AMCC; Type: SD HAC P01 BA;
- Measurement SW: DASY52, Version 52.10 (4); SEMCAD X Version 14.6.14 (7501)

## E Scan - measurement distance from the probe sensor center to CD1880 = 10mm & 15mm/Hearing Aid Compatibility Test at 15mm distance (41x181x1): Interpolated grid: dx=0.5000 mm, dy=0.5000 mm

Device Reference Point: 0, 0, -6.3 mm

Reference Value = 171.5 V/m; Power Drift = 0.03 dB

PMR not calibrated. PMF = 1.000 is applied.

E-field emissions = 92.46 V/m

Average value of Total=(89.43+92.46) / 2 = 90.945 V/m

PMF scaled E-field

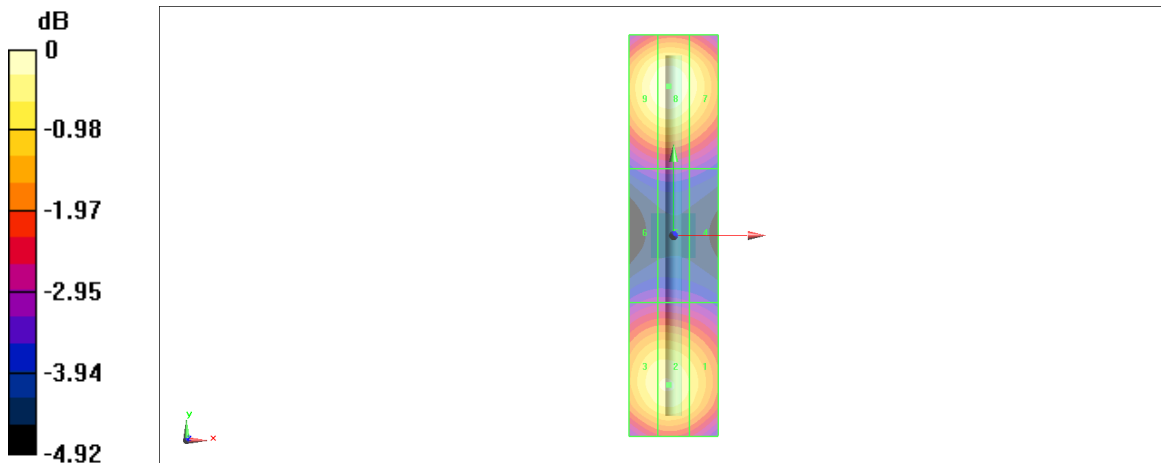
Grid 1 M3 <b>85.86 V/m</b>	Grid 2 M3 <b>89.43 V/m</b>	Grid 3 M3 <b>88.91 V/m</b>
Grid 4 M3 <b>63.80 V/m</b>	Grid 5 M3 <b>65.29 V/m</b>	Grid 6 M3 <b>65.16 V/m</b>
Grid 7 M3 <b>88.74 V/m</b>	Grid 8 M3 <b>92.46 V/m</b>	Grid 9 M3 <b>91.45 V/m</b>

**Cursor:**

Total = 92.46 V/m

E Category: M3

Location: -1, 33.5, 9.7 mm



0 dB = 92.46 V/m = 39.32 dBV/m

## HAC\_E\_Dipole\_2450

### DUT: HAC Dipole 2450 MHz

Communication System: CW; Frequency: 2450 MHz; Duty Cycle: 1:1

Medium: Air Medium parameters used:  $\sigma = 0$  S/m,  $\epsilon_r = 1$ ;  $\rho = 0$  kg/m<sup>3</sup>

Ambient Temperature : 23.4 °C

DASY5 Configuration:

- Probe: EF3DV3 - SN4047; ConvF(1, 1, 1) @ 2450 MHz; Calibrated: 2023/1/17
- Sensor-Surface: (Fix Surface)
- Electronics: DAE3 Sn577; Calibrated: 2022/9/21
- Phantom: HAC Test Arch with AMCC; Type: SD HAC P01 BA;
- Measurement SW: DASY52, Version 52.10 (4); SEMCAD X Version 14.6.14 (7501)

### E Scan - measurement distance from the probe sensor center to CD2450 = 10mm & 15mm 2/Hearing Aid Compatibility Test at 15mm distance (41x181x1): Interpolated grid: dx=0.5000 mm, dy=0.5000 mm

Device Reference Point: 0, 0, -6.3 mm

Reference Value = 81.37 V/m; Power Drift = 0.04 dB

PMR not calibrated. PMF = 1.000 is applied.

E-field emissions = 85.09 V/m

Average value of Total=(85.09+85.04) / 2 = 85.065 V/m

PMF scaled E-field

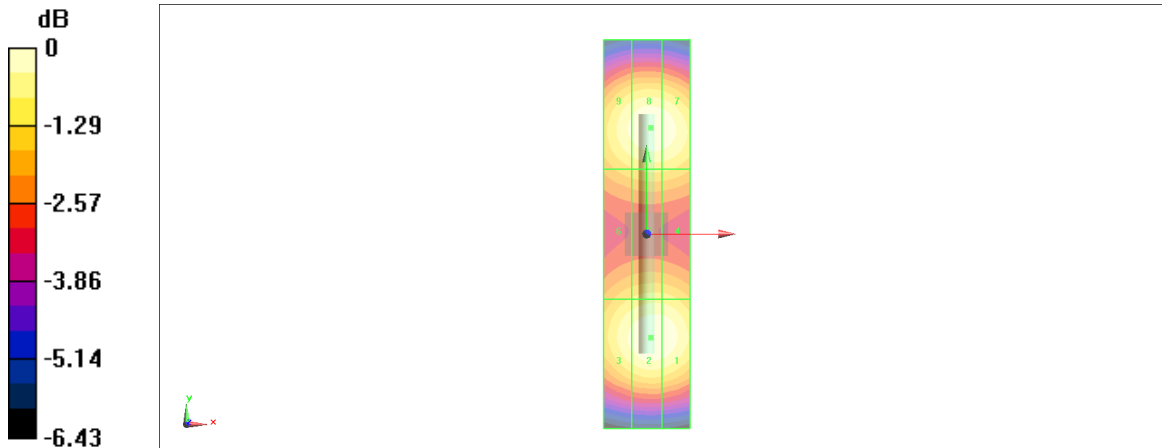
Grid 1 M3 <b>84.70 V/m</b>	Grid 2 M3 <b>85.09 V/m</b>	Grid 3 M3 <b>82.16 V/m</b>
Grid 4 M3 <b>75.69 V/m</b>	Grid 5 M3 <b>75.79 V/m</b>	Grid 6 M3 <b>73.88 V/m</b>
Grid 7 M3 <b>84.34 V/m</b>	Grid 8 M3 <b>85.04 V/m</b>	Grid 9 M3 <b>82.14 V/m</b>

**Cursor:**

Total = 85.09 V/m

E Category: M3

Location: 1, -24, 9.7 mm



0 dB = 85.09 V/m = 38.60 dBV/m

## HAC\_E\_Dipole\_2600

### DUT: HAC Dipole 2600 MHz

Communication System: CW ; Frequency: 2600 MHz; Duty Cycle: 1:1

Medium: Air Medium parameters used:  $\sigma = 0$  S/m,  $\epsilon_r = 1$ ;  $\rho = 0$  kg/m<sup>3</sup>

Ambient Temperature : 23.4 °C

DASY5 Configuration:

- Probe: EF3DV3 - SN4047; ConvF(1, 1, 1) @ 2600 MHz; Calibrated: 2023/1/17
- Sensor-Surface: (Fix Surface)
- Electronics: DAE3 Sn577; Calibrated: 2022/9/21
- Phantom: HAC Test Arch with AMCC; Type: SD HAC P01 BA;
- Measurement SW: DASY52, Version 52.10 (4); SEMCAD X Version 14.6.14 (7501)

### E Scan - measurement distance from the probe sensor center to CD2600 = 10mm & 15mm/Hearing Aid Compatibility Test at 15mm distance (41x181x1): Interpolated grid: dx=0.5000 mm, dy=0.5000 mm

Device Reference Point: 0, 0, -6.3 mm

Reference Value = 65.08 V/m; Power Drift = 0.02 dB

PMR not calibrated. PMF = 1.000 is applied.

E-field emissions = 87.03 V/m

Average value of Total=(82.56+87.03) / 2 = 84.795 V/m

PMF scaled E-field

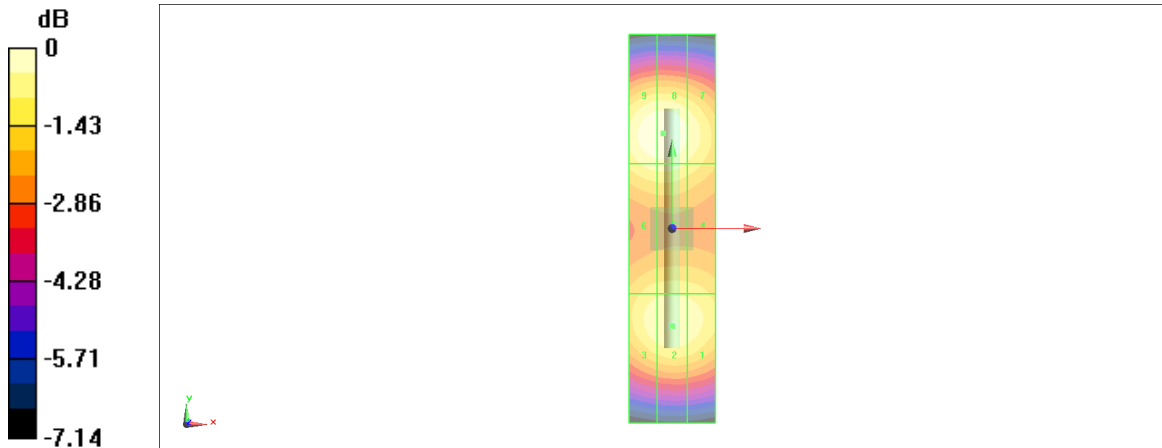
Grid 1 <b>M3</b> <b>81.24 V/m</b>	Grid 2 <b>M3</b> <b>82.56 V/m</b>	Grid 3 <b>M3</b> <b>81.34 V/m</b>
Grid 4 <b>M3</b> <b>77.48 V/m</b>	Grid 5 <b>M3</b> <b>80.88 V/m</b>	Grid 6 <b>M3</b> <b>80.71 V/m</b>
Grid 7 <b>M3</b> <b>82.56 V/m</b>	Grid 8 <b>M3</b> <b>87.03 V/m</b>	Grid 9 <b>M3</b> <b>86.78 V/m</b>

**Cursor:**

Total = 87.03 V/m

E Category: M3

Location: -2, 22, 9.7 mm



0 dB = 87.03 V/m = 38.79 dBV/m

# HAC\_E\_Dipole\_3500

## DUT: HAC Dipole 3500 MHz

Communication System: CW ; Frequency: 3500 MHz;Duty Cycle: 1:1

Medium: Air Medium parameters used:  $\sigma = 0$  S/m,  $\epsilon_r = 1$ ;  $\rho = 0$  kg/m<sup>3</sup>

Ambient Temperature : 23.4 °C

DASY5 Configuration:

- Probe: EF3DV3 - SN4047; ConvF(1, 1, 1) @ 3500 MHz; Calibrated: 2023/1/17
- Sensor-Surface: (Fix Surface)
- Electronics: DAE3 Sn577; Calibrated: 2022/9/21
- Phantom: HAC Test Arch with AMCC; Type: SD HAC P01 BA;
- Measurement SW: DASY52, Version 52.10 (4);SEMCAD X Version 14.6.14 (7501)

## E Scan - measurement distance from the probe sensor center to CD3500 = 10mm & 15mm/Hearing Aid Compatibility Test at 15mm distance (41x121x1): Interpolated grid: dx=0.5000 mm, dy=0.5000 mm

Device Reference Point: 0, 0, -6.3 mm

Reference Value = 38.00 V/m; Power Drift = 0.10 dB

PMR not calibrated. PMF = 1.000 is applied.

E-field emissions = 87.00 V/m

Average value of Total=(87.00+86.10) / 2 = 86.55 V/m

PMF scaled E-field

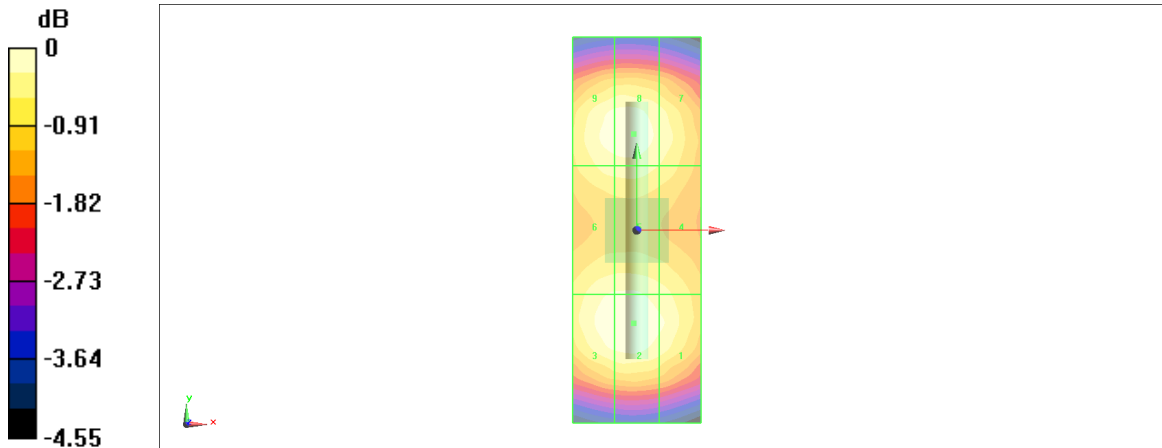
Grid 1 M3 <b>84.54 V/m</b>	Grid 2 M3 <b>87.00 V/m</b>	Grid 3 M3 <b>86.46 V/m</b>
Grid 4 M3 <b>82.58 V/m</b>	Grid 5 M3 <b>84.58 V/m</b>	Grid 6 M3 <b>84.43 V/m</b>
Grid 7 M3 <b>83.38 V/m</b>	Grid 8 M3 <b>86.10 V/m</b>	Grid 9 M3 <b>85.58 V/m</b>

**Cursor:**

Total = 87.00 V/m

E Category: M3

Location: -0.5, -14.5, 9.7 mm



0 dB = 87.00 V/m = 38.79 dBV/m

# HAC\_E\_Dipole\_5500

## DUT: HAC Dipole 5500 MHz

Communication CW ; Frequency: 5500 MHz;Duty Cycle: 1:1

Medium: Air Medium parameters used:  $\sigma = 0$  S/m,  $\epsilon_r = 1$ ;  $\rho = 0$  kg/m<sup>3</sup>

Ambient Temperature : 23.4 °C

DASY5 Configuration:

- Probe: EF3DV3 - SN4047; ConvF(1, 1, 1) @ 5500 MHz; Calibrated: 2023/1/17
- Sensor-Surface: (Fix Surface)
- Electronics: DAE3 Sn577; Calibrated: 2022/9/21
- Phantom: HAC Test Arch with AMCC; Type: SD HAC P01 BA;
- Measurement SW: DASY52, Version 52.10 (4);SEMCAD X Version 14.6.14 (7501)

### E Scan - measurement distance from the probe sensor center to CD5500 = 10mm & 15mm 2/Hearing Aid Compatibility Test at 15mm distance (41x181x1): Interpolated grid: dx=0.5000 mm, dy=0.5000 mm

Device Reference Point: 0, 0, -6.3 mm

Reference Value = 29.64 V/m; Power Drift = -0.01 dB

PMR not calibrated. PMF = 1.000 is applied.

E-field emissions = 110.5 V/m

Average value of Total=(88.99+94.22) / 2 = 91.605 V/m

PMF scaled E-field

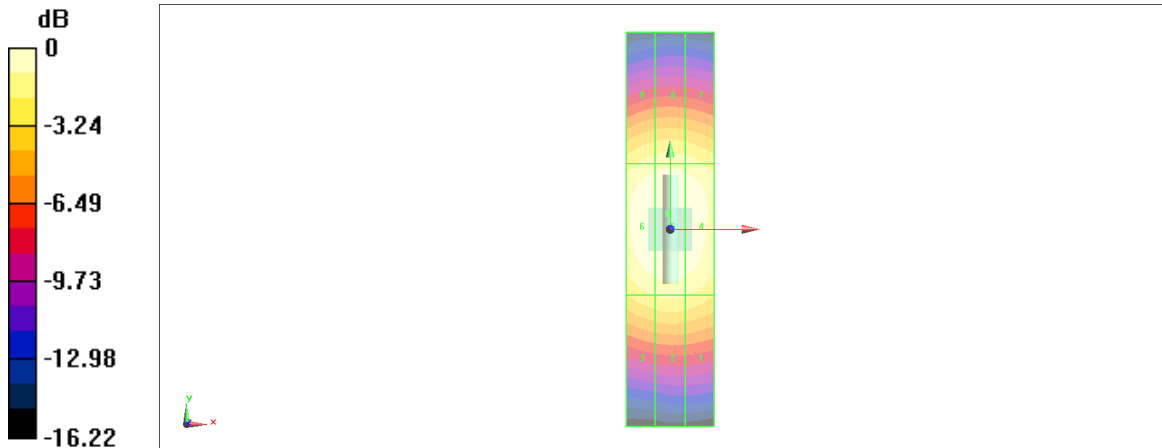
Grid 1 M3 <b>86.94 V/m</b>	Grid 2 M3 <b>88.99 V/m</b>	Grid 3 M3 <b>86.94 V/m</b>
Grid 4 M3 <b>107.4 V/m</b>	Grid 5 M3 <b>110.5 V/m</b>	Grid 6 M3 <b>108.9 V/m</b>
Grid 7 M3 <b>92.41 V/m</b>	Grid 8 M3 <b>94.22 V/m</b>	Grid 9 M3 <b>92.87 V/m</b>

**Cursor:**

Total = 110.5 V/m

E Category: M3

Location: -0.5, 3.5, 9.7 mm



0 dB = 110.5 V/m = 40.87 dBV/m