

## HAC\_E\_Dipole\_835

### DUT: HAC-Dipole 835 MHz

Communication System: CW; Frequency: 835 MHz; Duty Cycle: 1:1

Medium: Air Medium parameters used:  $\sigma = 0$  S/m,  $\epsilon_r = 1$ ;  $\rho = 0$  kg/m<sup>3</sup>

Ambient Temperature : 23.3 °C

#### DASY5 Configuration

- Probe: EF3DV3 - SN4047; ConvF(1, 1, 1) @ 835 MHz; Calibrated: 2020/1/24

- Sensor-Surface: (Fix Surface)

- Electronics: DAE3 Sn577; Calibrated: 2019/9/17

- Phantom: HAC Test Arch with AMCC; Type: SD HAC P01 BA;

- Measurement SW: DASY52, Version 52.10 (4); SEMCAD X Version 14.6.14 (7483)

### E Scan - measurement distance from the probe sensor center to CD835 = 10mm & 15mm/Hearing Aid Compatibility Test at 15mm distance (41x361x1): Interpolated grid:

dx=0.5000 mm, dy=0.5000 mm

Device Reference Point: 0, 0, -6.3 mm

Reference Value = 141.5 V/m; Power Drift = -0.05 dB

PMR not calibrated. PMF = 1.000 is applied.

E-field emissions = 118.8 V/m

Average value of Total=(116.8+117.6) / 2 = 117.2 V/m

#### PMF scaled E-field

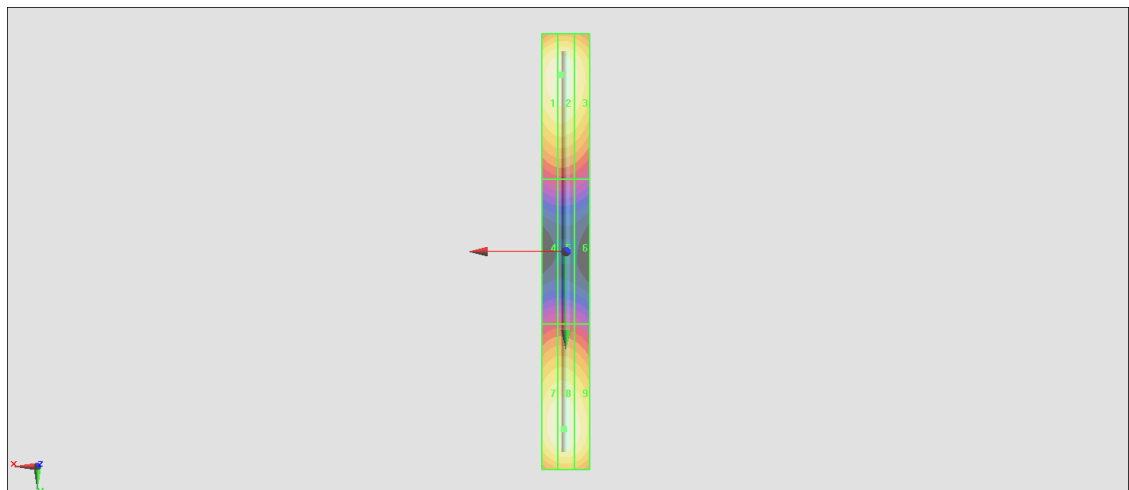
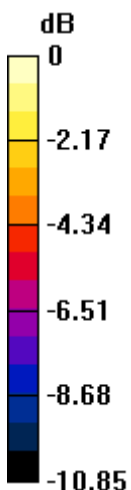
Grid 1 <b>M4</b> <b>116.5 V/m</b>	Grid 2 <b>M4</b> <b>116.8 V/m</b>	Grid 3 <b>M4</b> <b>111.9 V/m</b>
Grid 4 <b>M4</b> <b>64.31 V/m</b>	Grid 5 <b>M4</b> <b>64.48 V/m</b>	Grid 6 <b>M4</b> <b>62.36 V/m</b>
Grid 7 <b>M4</b> <b>116.5 V/m</b>	Grid 8 <b>M4</b> <b>117.6 V/m</b>	Grid 9 <b>M4</b> <b>114.7 V/m</b>

#### Cursor:

Total = 117.6 V/m

E Category: M4

Location: 1, 73.5, 9.7 mm



0 dB = 117.6 V/m = 41.41 dBV/m

# HAC\_E\_Dipole\_1880

## DUT: HAC Dipole 1880 MHz

Communication System: CW; Frequency: 1880 MHz; Duty Cycle: 1:1  
 Medium: Air Medium parameters used:  $\sigma = 0$  S/m,  $\epsilon_r = 1$ ;  $\rho = 0$  kg/m<sup>3</sup>  
 Ambient Temperature : 23.3 °C

### DASY5 Configuration

- Probe: EF3DV3 - SN4047; ConvF(1, 1, 1) @ 1880 MHz; Calibrated: 2020/1/24
- Sensor-Surface: (Fix Surface)
- Electronics: DAE3 Sn577; Calibrated: 2019/9/17
- Phantom: HAC Test Arch with AMCC; Type: SD HAC P01 BA;
- Measurement SW: DASY52, Version 52.10 (4); SEMCAD X Version 14.6.14 (7483)

### E Scan - measurement distance from the probe sensor center to CD1880 = 10mm & 15mm/Hearing Aid Compatibility Test at 15mm distance (41x181x1): Interpolated grid:

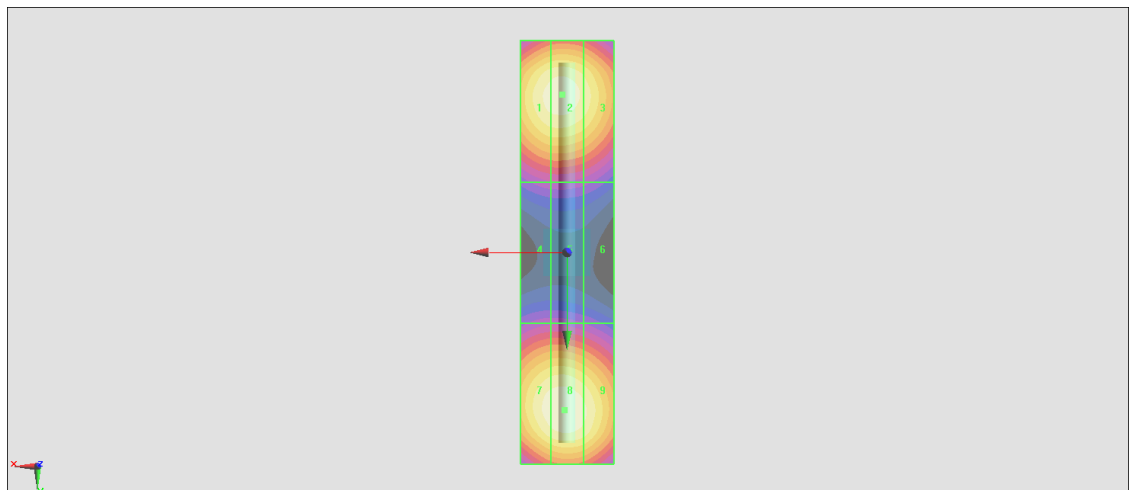
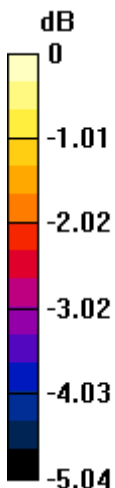
dx=0.5000 mm, dy=0.5000 mm  
 Device Reference Point: 0, 0, -6.3 mm  
 Reference Value = 170.8 V/m; Power Drift = 0.02 dB  
 PMR not calibrated. PMF = 1.000 is applied.  
 E-field emissions = 91.74 V/m  
 Average value of Total=(90.74+91.74) / 2 = 91.24 V/m

PMF scaled E-field

Grid 1 <b>M3</b> <b>89.93 V/m</b>	Grid 2 <b>M3</b> <b>90.74 V/m</b>	Grid 3 <b>M3</b> <b>87.42 V/m</b>
Grid 4 <b>M3</b> <b>64.62 V/m</b>	Grid 5 <b>M3</b> <b>64.75 V/m</b>	Grid 6 <b>M3</b> <b>63.61 V/m</b>
Grid 7 <b>M3</b> <b>90.54 V/m</b>	Grid 8 <b>M3</b> <b>91.74 V/m</b>	Grid 9 <b>M3</b> <b>89.27 V/m</b>

**Cursor:**

Total = 91.74 V/m  
 E Category: M3  
 Location: 0.5, 33.5, 9.7 mm



0 dB = 91.74 V/m = 39.25 dBV/m

# HAC\_E\_Dipole\_2450

## DUT: HAC Dipole 2450 MHz

Communication System: CW; Frequency: 2450 MHz; Duty Cycle: 1:1

Medium: Air Medium parameters used:  $\sigma = 0$  S/m,  $\epsilon_r = 1$ ;  $\rho = 0$  kg/m<sup>3</sup>

Ambient Temperature : 23.4 °C

### DASY5 Configuration

- Probe: EF3DV3 - SN4047; ConvF(1, 1, 1) @ 2450 MHz; Calibrated: 2020/1/24

- Sensor-Surface: (Fix Surface)

- Electronics: DAE3 Sn577; Calibrated: 2019/9/17

- Phantom: HAC Test Arch with AMCC; Type: SD HAC P01 BA;

- Measurement SW: DASY52, Version 52.10 (4); SEMCAD X Version 14.6.14 (7483)

## E Scan - measurement distance from the probe sensor center to CD2450 = 10mm & 15mm

/Hearing Aid Compatibility Test at 15mm distance (41x181x1): Interpolated grid: dx=0.5000

mm, dy=0.5000 mm

Device Reference Point: 0, 0, -6.3 mm

Reference Value = 79.79 V/m; Power Drift = 0.07 dB

PMR not calibrated. PMF = 1.000 is applied.

E-field emissions = 85.30 V/m

Average value of Total=(84.52+85.3) / 2 = 84.91 V/m

PMF scaled E-field

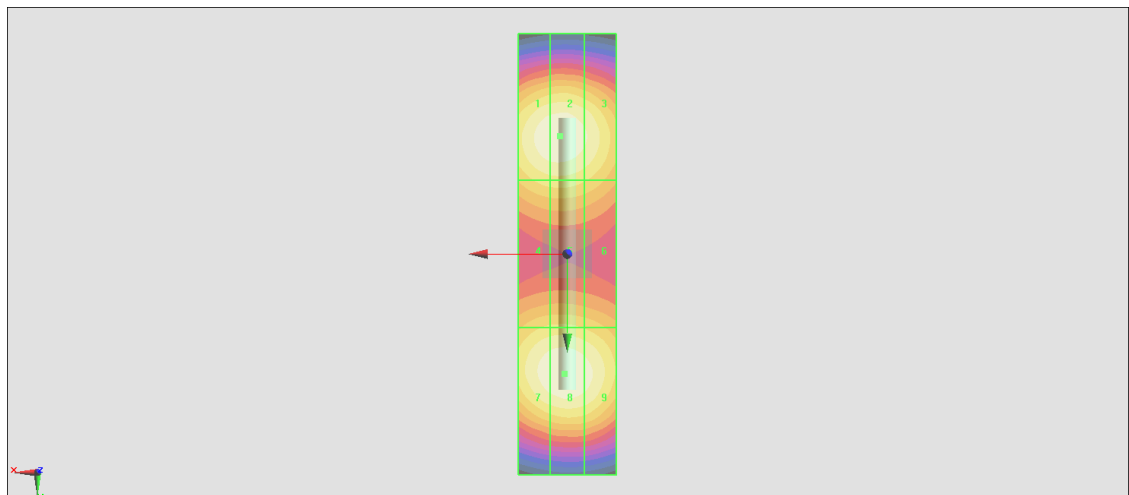
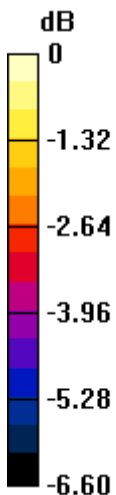
Grid 1 <b>M3</b> <b>84.16 V/m</b>	Grid 2 <b>M3</b> <b>84.52 V/m</b>	Grid 3 <b>M3</b> <b>81.13 V/m</b>
Grid 4 <b>M3</b> <b>74.35 V/m</b>	Grid 5 <b>M3</b> <b>74.60 V/m</b>	Grid 6 <b>M3</b> <b>72.48 V/m</b>
Grid 7 <b>M3</b> <b>83.99 V/m</b>	Grid 8 <b>M3</b> <b>85.30 V/m</b>	Grid 9 <b>M3</b> <b>83.12 V/m</b>

### Cursor:

Total = 85.30 V/m

E Category: M3

Location: 0.5, 24.5, 9.7 mm



0 dB = 85.30 V/m = 38.62 dBV/m

# HAC\_E\_Dipole\_2600

## DUT: HAC Dipole 2600 MHz

Communication System: CW ; Frequency: 2600 MHz; Duty Cycle: 1:1

Medium: Air Medium parameters used:  $\sigma = 0$  S/m,  $\epsilon_r = 1$ ;  $\rho = 0$  kg/m<sup>3</sup>

Ambient Temperature : 23.3 °C

### DASY5 Configuration

- Probe: EF3DV3 - SN4047; ConvF(1, 1, 1) @ 2600 MHz; Calibrated: 2020/1/24

- Sensor-Surface: (Fix Surface)

- Electronics: DAE3 Sn577; Calibrated: 2019/9/17

- Phantom: HAC Test Arch with AMCC; Type: SD HAC P01 BA;

- Measurement SW: DASY52, Version 52.10 (4); SEMCAD X Version 14.6.14 (7483)

## E Scan - measurement distance from the probe sensor center to CD2600 = 10mm & 15mm/Hearing Aid Compatibility Test at 15mm distance (41x181x1): Interpolated grid:

dx=0.5000 mm, dy=0.5000 mm

Device Reference Point: 0, 0, -6.3 mm

Reference Value = 69.25 V/m; Power Drift = 0.02 dB

PMR not calibrated. PMF = 1.000 is applied.

E-field emissions = 87.42 V/m

Average value of Total=(86.12+87.42) / 2 = 86.77 V/m

PMF scaled E-field

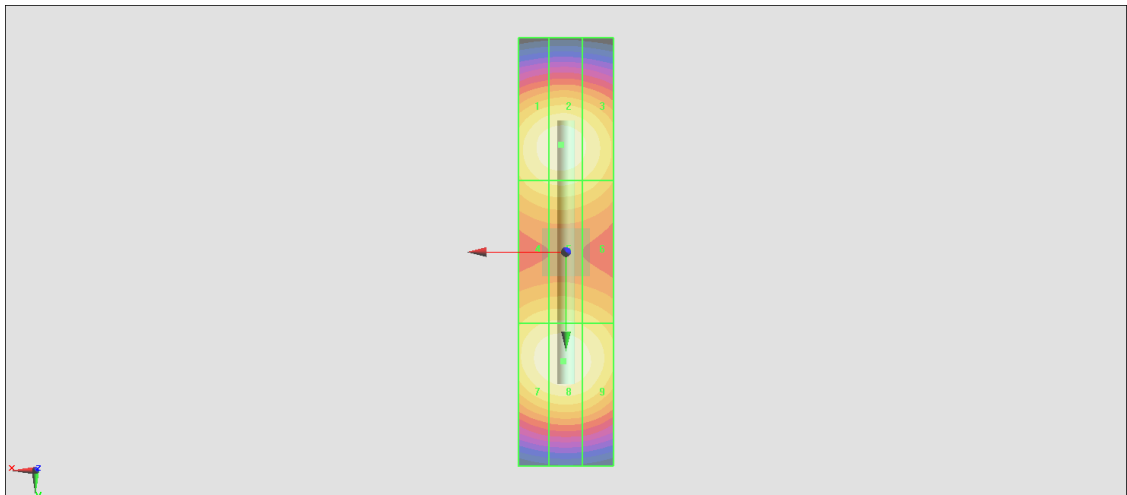
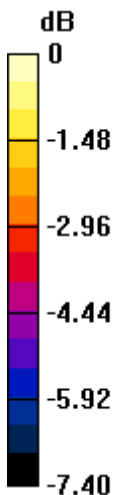
Grid 1 <b>M3</b> <b>85.39 V/m</b>	Grid 2 <b>M3</b> <b>86.12 V/m</b>	Grid 3 <b>M3</b> <b>83.47 V/m</b>
Grid 4 <b>M3</b> <b>79.16 V/m</b>	Grid 5 <b>M3</b> <b>79.67 V/m</b>	Grid 6 <b>M3</b> <b>77.76 V/m</b>
Grid 7 <b>M3</b> <b>86.31 V/m</b>	Grid 8 <b>M3</b> <b>87.42 V/m</b>	Grid 9 <b>M3</b> <b>84.90 V/m</b>

### Cursor:

Total = 87.42 V/m

E Category: M3

Location: 0.5, 23, 9.7 mm



0 dB = 87.42 V/m = 38.83 dBV/m

# HAC\_E\_Dipole\_3500\_200616

## DUT: HAC Dipole 3500 MHz

Communication System: CW ; Frequency: 3500 MHz;Duty Cycle: 1:1

Medium: Air Medium parameters used:  $\sigma = 0$  S/m,  $\epsilon_r = 1$ ;  $\rho = 0$  kg/m<sup>3</sup>

Ambient Temperature : 23.3 °C

### DASY5 Configuration

- Probe: EF3DV3 - SN4047; ConvF(1, 1, 1) @ 3500 MHz; Calibrated: 2020/1/24

- Sensor-Surface: (Fix Surface)

- Electronics: DAE3 Sn577; Calibrated: 2019/9/17

- Phantom: HAC Test Arch with AMCC; Type: SD HAC P01 BA;

- Measurement SW: DASY52, Version 52.10 (4); SEMCAD X Version 14.6.14 (7483)

## E Scan - measurement distance from the probe sensor center to CD3500 = 10mm & 15mm/Hearing Aid Compatibility Test at 15mm distance (41x121x1): Interpolated grid:

dx=0.5000 mm, dy=0.5000 mm

Device Reference Point: 0, 0, -6.3 mm

Reference Value = 39.49 V/m; Power Drift = 0.09 dB

PMR not calibrated. PMF = 1.000 is applied.

E-field emissions = 91.71 V/m

Average value of Total=(87.88+91.71) / 2 = 89.795 V/m

### PMF scaled E-field

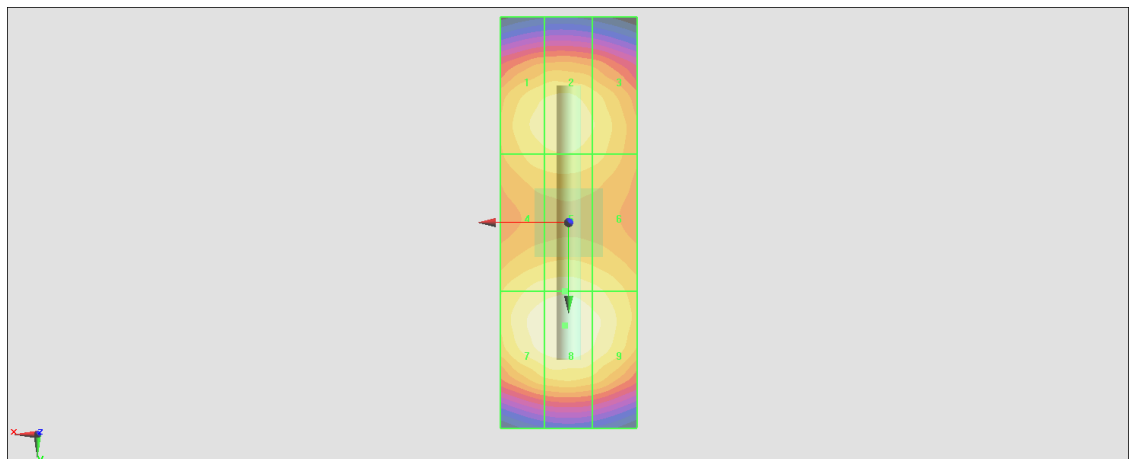
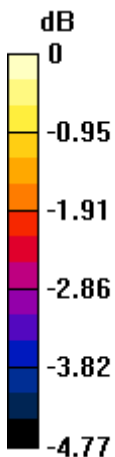
Grid 1 <b>M3</b> <b>86.87 V/m</b>	Grid 2 <b>M3</b> <b>87.88 V/m</b>	Grid 3 <b>M3</b> <b>85.46 V/m</b>
Grid 4 <b>M3</b> <b>87.20 V/m</b>	Grid 5 <b>M3</b> <b>87.96 V/m</b>	Grid 6 <b>M3</b> <b>86.34 V/m</b>
Grid 7 <b>M3</b> <b>90.76 V/m</b>	Grid 8 <b>M3</b> <b>91.71 V/m</b>	Grid 9 <b>M3</b> <b>89.44 V/m</b>

### Cursor:

Total = 91.71 V/m

E Category: M3

Location: 0.5, 15, 9.7 mm



0 dB = 91.71 V/m = 39.25 dBV/m