

System Check_Head_5850MHz

DUT: D5GHzV2-1171

Communication System: CW; Frequency: 5850 MHz; Duty Cycle: 1:1

Medium: HSL_5G_221108 Medium parameters used: $f = 5850$ MHz; $\sigma = 5.334$ S/m; $\epsilon_r = 35.551$; $\rho = 1000$ kg/m³

Ambient Temperature : 23.3 °C ; Liquid Temperature : 22.3 °C

DASY5 Configuration:

- Probe: EX3DV4 - SN7625; ConvF(4.78, 4.78, 4.78) @ 5850 MHz; Calibrated: 2022/1/27
- Sensor-Surface: 1.4mm (Mechanical Surface Detection)
- Electronics: DAE4 Sn1697; Calibrated: 2021/11/9
- Phantom: SAM_Left; Type: SAM; Serial: 1303
- Measurement SW: DASY52, Version 52.10 (4); SEMCAD X Version 14.6.14 (7501)

Pin=100mW/Area Scan (71x71x1): Interpolated grid: dx=1.000 mm, dy=1.000 mm

Maximum value of SAR (interpolated) = 23.4 W/kg

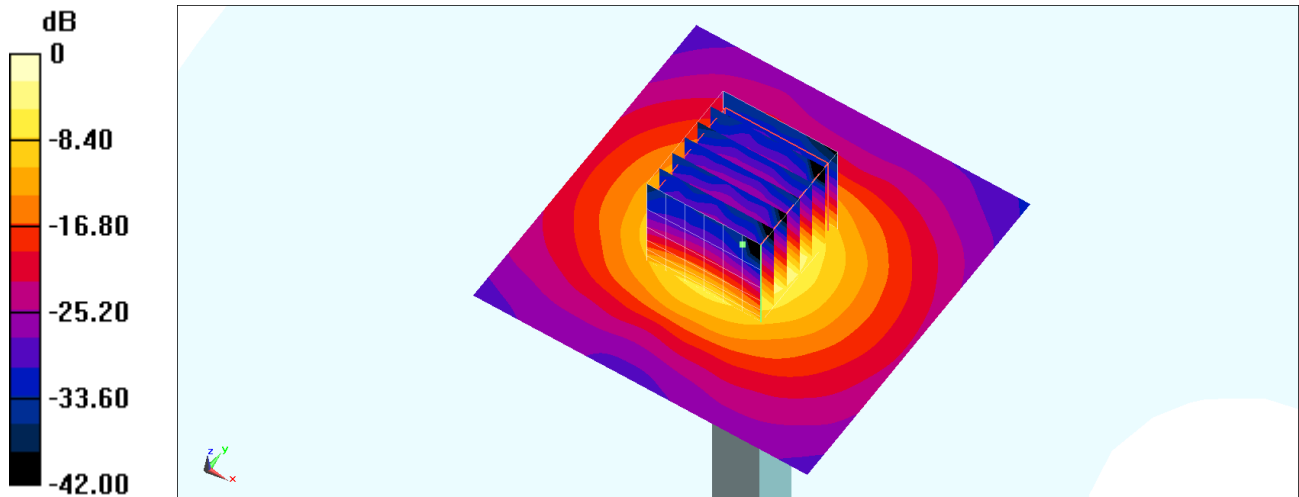
Pin=100mW/Zoom Scan (7x7x7)/Cube 0: Measurement grid: dx=4mm, dy=4mm, dz=1.4mm

Reference Value = 73.47 V/m; Power Drift = -0.11 dB

Peak SAR (extrapolated) = 42.8 W/kg

SAR(1 g) = 8.42 W/kg; SAR(10 g) = 2.36 W/kg

Maximum value of SAR (measured) = 22.9 W/kg



0 dB = 22.9 W/kg = 13.60 dBW/kg

System Check_Head_5850MHz

DUT: D5GHzV2-1171

Communication System: CW; Frequency: 5850 MHz; Duty Cycle: 1:1

Medium: HSL_5G_221109 Medium parameters used : $f = 5850$ MHz; $\sigma = 5.405$ S/m; $\epsilon_r = 35.783$; $\rho = 1000$ kg/m³

Ambient Temperature : 23.2 °C; Liquid Temperature : 22.2 °C

DASY5 Configuration:

- Probe: EX3DV4 - SN7625; ConvF(4.78, 4.78, 4.78) @ 5850 MHz; Calibrated: 2022/1/27
- Sensor-Surface: 1.4mm (Mechanical Surface Detection)
- Electronics: DAE4 Sn1707; Calibrated: 2022/1/12
- Phantom: SAM_Left; Type: SAM; Serial: 1303
- Measurement SW: DASY52, Version 52.10 (4); SEMCAD X Version 14.6.14 (7501)

Pin=100mW/Area Scan (71x71x1): Interpolated grid: dx=1.000 mm, dy=1.000 mm

Maximum value of SAR (interpolated) = 23.7 W/kg

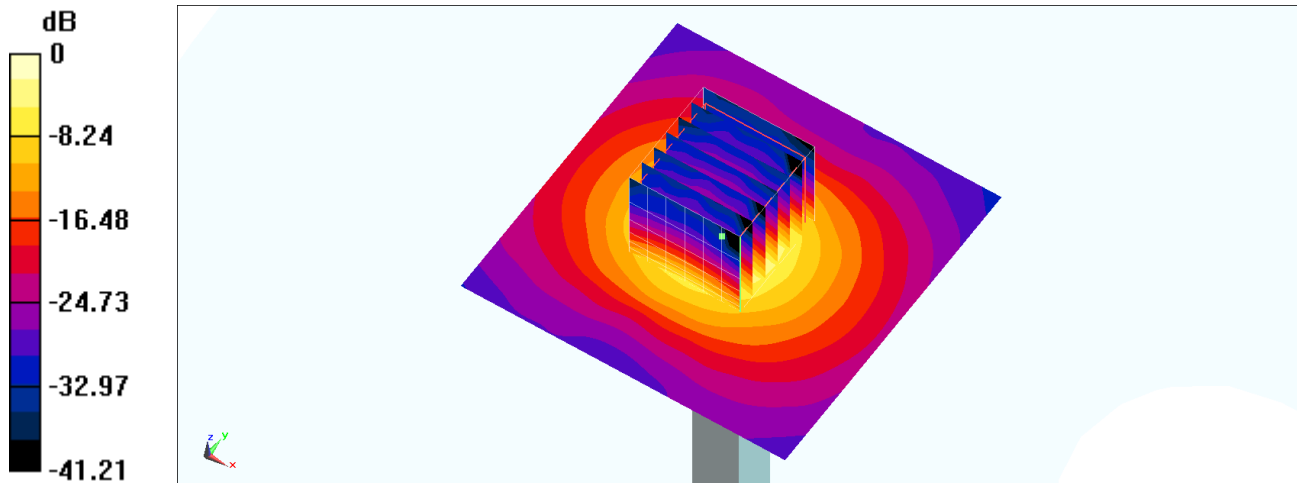
Pin=100mW/Zoom Scan (7x7x7)/Cube 0: Measurement grid: dx=4mm, dy=4mm, dz=1.4mm

Reference Value = 73.41 V/m; Power Drift = -0.09 dB

Peak SAR (extrapolated) = 43.3 W/kg

SAR(1 g) = 8.52 W/kg; SAR(10 g) = 2.39 W/kg

Maximum value of SAR (measured) = 23.2 W/kg



0 dB = 23.2 W/kg = 13.65 dBW/kg

System Check_Head_5850MHz

DUT: D5GHzV2-1171

Communication System: CW; Frequency: 5850 MHz; Duty Cycle: 1:1

Medium: HSL_5G_221110 Medium parameters used : $f = 5850$ MHz; $\sigma = 5.373$ S/m; $\epsilon_r = 35.802$; $\rho = 1000$ kg/m³

Ambient Temperature : 23.5 °C; Liquid Temperature : 22.5 °C

DASY5 Configuration:

- Probe: EX3DV4 - SN7625; ConvF(4.78, 4.78, 4.78) @ 5850 MHz; Calibrated: 2022/1/27
- Sensor-Surface: 1.4mm (Mechanical Surface Detection)
- Electronics: DAE4 Sn1707; Calibrated: 2022/1/12
- Phantom: SAM_Left; Type: SAM; Serial: 1303
- Measurement SW: DASY52, Version 52.10 (4); SEMCAD X Version 14.6.14 (7501)

Pin=50mW/Area Scan (81x81x1): Interpolated grid: dx=1.000 mm, dy=1.000 mm

Maximum value of SAR (interpolated) = 10.9 W/kg

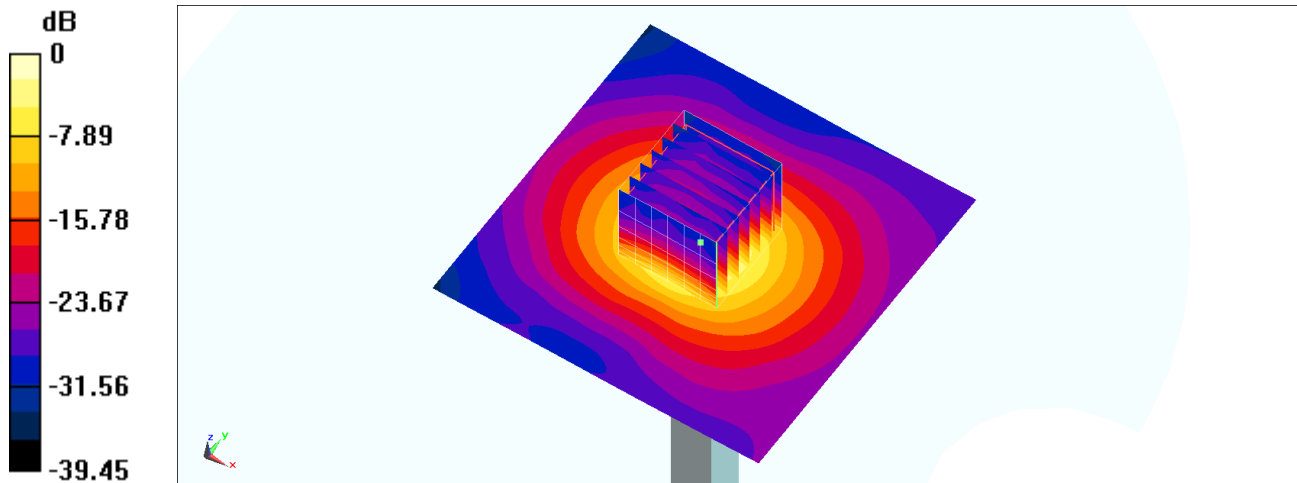
Pin=50mW/Zoom Scan (7x7x7)/Cube 0: Measurement grid: dx=4mm, dy=4mm, dz=1.4mm

Reference Value = 49.62 V/m; Power Drift = 0.01 dB

Peak SAR (extrapolated) = 17.4 W/kg

SAR(1 g) = 4.06 W/kg; SAR(10 g) = 1.17 W/kg

Maximum value of SAR (measured) = 10.3 W/kg



0 dB = 10.3 W/kg = 10.13 dBW/kg