



HEARING AID COMPATIBILITY RF EMISSIONS TEST REPORT

FCC ID : A4RG1MNW
Equipment : Phone
Model Name : G1MNW
M-Rating : M3
Applicant : Google LLC
1600 Amphitheatre Parkway,
Mountain View, California, 94043 USA
Standard : FCC 47 CFR §20.19
ANSI C63.19-2011

The product was received on Feb. 03, 2023 and testing was started from May 24, 2023 and completed on May 31, 2023. We, SPORTON INTERNATIONAL INC., would like to declare that the tested sample provide by manufacturer and the test data has been evaluated in accordance with the test procedures given in ANSI 63.19-2011 / 47 CFR Part 20.19 and has been pass the FCC requirement.

The test results in this report apply exclusively to the tested model / sample. Without written approval of SPORTON INTERNATIONAL INC. Laboratory, the test report shall not be reproduced except in full.

Approved by: Cona Huang / Deputy Manager



Sporton International Inc. Wensan Laboratory

No.58, Aly. 75, Ln. 564, Wenhua 3rd, Rd., Guishan Dist., Taoyuan City 333010, Taiwan



Table of Contents

1. General Information..... 4

2. Testing Location..... 5

3. Applied Standards 5

4. RF Audio Interference Level..... 5

5. Air Interface and Operating Mode..... 6

6. Measurement System Specification 7

 6.1 E-Field Probe System..... 7

 6.2 Data Storage and Evaluation..... 8

7. RF Emissions Test Procedure..... 9

8. Test Equipment List12

9. Measurement System Validation13

10. Modulation Interference Factor.....14

11. Low-power Exemption.....15

12. Conducted RF Output Power (Unit: dBm).....20

13. HAC RF Emission Test Results.....27

14. Uncertainty Assessment29

15. References.....30

Appendix A. Plots of System Performance Check

Appendix B. Plots of RF Emission Measurement

Appendix C. DASYS Calibration Certificate

Appendix D. Test Setup Photos

Appendix E. UID specifications for HAC RFE



History of this test report

Report No.	Version	Description	Issued Date
HA2D0206-01A	Rev. 01	Initial issue of report	Jun. 15, 2023
HA2D0206-01A	Rev. 02	Update section 12 and 13	Jun. 23, 2023



1. General Information

Product Feature & Specification	
Applicant Name	Google LLC
Equipment Name	Phone
Model Name	G1MNV
FCC ID	A4RG1MNV
S/N	33161FDJG0009T
Wireless Technology and Frequency Range	GSM850: 824.2 MHz ~ 848.8 MHz GSM1900: 1850.2 MHz ~ 1909.8 MHz WCDMA Band II: 1850 MHz ~ 1910 MHz WCDMA Band IV: 1710 MHz ~ 1755 MHz WCDMA Band V: 824 MHz ~ 849 MHz LTE Band 2: 1850 MHz ~ 1910 MHz LTE Band 4: 1710 MHz ~ 1755 MHz LTE Band 5: 824 MHz ~ 849 MHz LTE Band 7: 2500 MHz ~ 2570 MHz LTE Band 12: 699 MHz ~ 716 MHz LTE Band 13: 777 MHz ~ 787 MHz LTE Band 14: 788 MHz ~ 798 MHz LTE Band 17: 704 MHz ~ 716 MHz LTE Band 25: 1850 MHz ~ 1915 MHz LTE Band 26: 814 MHz ~ 849 MHz LTE Band 30: 2305 MHz ~ 2315 MHz LTE Band 38: 2570 MHz ~ 2620 MHz LTE Band 41: 2496 MHz ~ 2690 MHz LTE Band 48: 3550 MHz ~ 3700 MHz LTE Band 66: 1710 MHz ~ 1780 MHz LTE Band 71: 663 MHz ~ 698 MHz 5G NR n2 : 1850 MHz ~ 1910 MHz 5G NR n5 : 824 MHz ~ 849 MHz 5G NR n7 : 2500 MHz ~ 2570 MHz 5G NR n12 : 699 MHz ~ 716 MHz 5G NR n25 : 1850 MHz ~ 1915 MHz 5G NR n26 : 814 MHz ~ 849 MHz 5G NR n30 : 2305 MHz ~ 2315 MHz 5G NR n38 : 2570 MHz ~ 2620 MHz 5G NR n41 : 2496 MHz ~ 2690 MHz 5G NR n48 : 3550 MHz ~ 3700 MHz 5G NR n66 : 1710 MHz ~ 1780 MHz 5G NR n70 : 1695 MHz ~ 1710 MHz 5G NR n71 : 663 MHz ~ 698 MHz 5G NR n77: 3450 MHz ~ 3550 MHz, 3700 MHz ~ 3980 MHz 5G NR n78: 3450 MHz ~ 3550 MHz, 3700 MHz ~ 3800 MHz 5G NR n258 : 24.25 GHz~24.45 GHz, 24.75GHz ~25.25GHz 5G NR n260 : 37 GHz~40 GHz 5G NR n261 : 27.5 GHz~28.35 GHz WLAN 2.4GHz Band: 2400 MHz ~ 2483.5 MHz WLAN 5.2G Band: 5150 MHz ~ 5250 MHz WLAN 5.3G Band: 5250 MHz ~ 5350 MHz WLAN 5.5G Band: 5470 MHz ~ 5725 MHz WLAN 5.8G Band: 5725 MHz ~ 5850 MHz WLAN 5.9G Band: 5850 MHz ~ 5895 MHz WLAN 6E: 5925 MHz ~ 6425 MHz, 6425 MHz ~ 6525 MHz, 6525 MHz ~ 6875 MHz, 6875 MHz ~ 7125 MHz Bluetooth: 2400 MHz ~ 2483.5 MHz NFC: 13.56 MHz WPT: 110.1 KHz ~ 148.5 KHz UWB: 6489.6 MHz, 7987.2 MHz
Mode	GSM/GPRS/EGPRS RMC/AMR 12.2Kbps HSDPA HSUPA DC-HSDPA LTE: QPSK, 16QAM, 64QAM, 256QAM 5G NR: DFT-s-OFDM/CP-OFDM, Pi/2 BPSK/QPSK/16QAM/64QAM/256QAM WLAN: 802.11a/b/g/n/ac/ax/be HT20/HT40/VHT20/VHT40/VHT80/VHT160/HE20/HE40/HE80/HE160/EHT20/EHT40/EHT80/EHT160 Bluetooth BR/EDR/LE/HR NFC: ASK WPT: ASK UWB: BPM-BPSK

Reviewed by: Jason Wang

Report Producer: Paula Chen



2. Testing Location

Sporton Lab is accredited to ISO 17025 by Taiwan Accreditation Foundation (TAF code: 3786) and the FCC designation No. TW3786 under the FCC 2.948(e) by Mutual Recognition Agreement (MRA) in FCC test.

Testing Laboratory	
Test Site	SPORTON INTERNATIONAL INC.
Test Site Location	No.58, Aly. 75, Ln. 564, Wenhua 3rd, Rd., Guishan Dist., Taoyuan City 333010, Taiwan TEL: +886-3-327-0838 FAX: +886-3-327-0855
Test Site No.	Sporton Site No.: SAR015-HY

3. Applied Standards

- FCC CFR47 Part 20.19
- ANSI C63.19-2011
- FCC KDB 285076 D01 HAC Guidance v06r03
- FCC KDB 285076 D03 HAC FAQ v01r06

4. RF Audio Interference Level

FCC wireless hearing aid compatibility rules ensure that consumers with hearing loss are able to access wireless communications services through a wide selection of handsets without experiencing disabling radio frequency (RF) interference or other technical obstacles.

To define and measure the hearing aid compatibility of handsets, in CFR47 part 20.19 ANSI C63.19 is referenced. A handset is considered hearing aid-compatible for acoustic coupling if it meets a rating of at least M3 under ANSI C63.19, and A handset is considered hearing aid compatible for inductive coupling if it meets a rating of at least T3. According to ANSI C63.19 2011 version, for acoustic coupling, the RF electric field emissions of wireless communication devices should be measured and rated according to the emission level as below.

Emission Categories	E-field emissions	
	<960Mhz	>960Mhz
M1	50 to 55 dB (V/m)	40 to 45 dB (V/m)
M2	45 to 50 dB (V/m)	35 to 40 dB (V/m)
M3	40 to 45 dB (V/m)	30 to 35 dB (V/m)
M4	<40 dB (V/m)	<30 dB (V/m)

Table 5.1 Telephone near-field categories in linear units



5. Air Interface and Operating Mode

Air Interface	Band MHz	Type	C63.19 Tested	Simultaneous Transmitter	Name of Voice Service	Power Reduction
GSM	GSM850	VO	Yes	WLAN, BT	CMRS Voice	No
	GSM1900			WLAN, BT		No
	EDGE850	VD	Yes	WLAN, BT	Google Meet	No
	EDGE1900			WLAN, BT		
WCDMA	Band 2	VO	No ⁽¹⁾	WLAN, BT	CMRS Voice	No
	Band 4			WLAN, BT		No
	Band 5			WLAN, BT		No
	HSPA	VD	No ⁽¹⁾	WLAN, BT	Google Meet	No
LTE (FDD)	Band 2	VD	No ⁽¹⁾	5G NR, WLAN, BT	VoLTE / Google Meet	No
	Band 4			5G NR, WLAN, BT		No
	Band 5			5G NR, WLAN, BT		No
	Band 7			5G NR, WLAN, BT		No
	Band 12			5G NR, WLAN, BT		No
	Band 13			5G NR, WLAN, BT		No
	Band 14			5G NR, WLAN, BT		No
	Band 17			5G NR, WLAN, BT		No
	Band 25			5G NR, WLAN, BT		No
	Band 26			5G NR, WLAN, BT		No
	Band 30			5G NR, WLAN, BT		No
	Band 66			5G NR, WLAN, BT		No
	Band 71			5G NR, WLAN, BT		No
LTE (TDD)	Band 38	VD	Yes	5G NR, WLAN, BT	VoLTE / Google Meet	No
	Band 41			5G NR, WLAN, BT		No
	Band 48			5G NR, WLAN, BT		No
5G NR	n2	VD	No ⁽¹⁾	LTE, WLAN, BT	VoNR / Google Meet	No
	n5			LTE, WLAN, BT		No
	n7			LTE, WLAN, BT		No
	n12			LTE, WLAN, BT		No
	n25			LTE, WLAN, BT		No
	n26			LTE, WLAN, BT		No
	n30			LTE, WLAN, BT		No
	n38			LTE, WLAN, BT		No
	n41			LTE, WLAN, BT		No
	n48			LTE, WLAN, BT		No
	n66			LTE, WLAN, BT		No
	n70			LTE, WLAN, BT		No
	n71			LTE, WLAN, BT		No
	n77			LTE, WLAN, BT		No
	n78			LTE, WLAN, BT		No
	n258	VD	No ⁽²⁾	LTE, WLAN, BT	Google Meet	No
	n260			LTE, WLAN, BT		No
n261	LTE, WLAN, BT			No		
Wi-Fi	2450	VD	Yes	GSM, WCDMA, LTE, 5G NR, 5G/6G WLAN	VoWiFi / Google Meet	No
	5200			GSM, WCDMA, LTE, 5G NR, 2.4G WLAN, BT		No
	5300			GSM, WCDMA, LTE, 5G NR, 2.4G WLAN, BT		No
	5500			GSM, WCDMA, LTE, 5G NR, 2.4G WLAN, BT		No
	5800 / 5900			GSM, WCDMA, LTE, 5G NR, 2.4G WLAN, BT		No
	UNII-5	VD	No ⁽³⁾	GSM, WCDMA, LTE, 5G NR, 2.4G WLAN, BT	VoWiFi / Google Meet	No
	UNII-6					
	UNII-7					
UNII-8						
BT	2450	DT	No	GSM, WCDMA, LTE, 5G NR, 5G/6G WLAN	NA	No

Type Transport:
 VO= Voice only
 DT= Digital Transport only (no voice)
 VD= CMRS and IP Voice Service over Digital Transport

- Remark:
- The air interface is exempted from testing by low power exemption that its average antenna input power plus its MIF is ≤ 17 dBm, and is rated as M4.
 - The FR2 n258/260/261 and U-NII 6/7/8 were above 6GHz and were not evaluated due to outside of the current scope of ANSI C63.19 and FCC HAC regulations.
 - The UNII-5 was evaluated for operations which are entirely below 6 GHz, above 6 GHz were not evaluated due outside of the current scope of ANSI C63.19 and FCC HAC regulations
 - Because features of Google Meet allow the option of voice-only communications, Meet has been tested for HAC/T-Coil compatibility to ensure the best user experience.
 - The device have similar frequency in some LTE and NR bands: LTE 38/41 and NR 38/41, 77/78, since the supported frequency spans for the smaller LTE and NR bands are completely cover by the larger LTE and NR bands, therefore, only larger LTE and NR bands were required to be tested for hearing-aid compliance.

6. Measurement System Specification

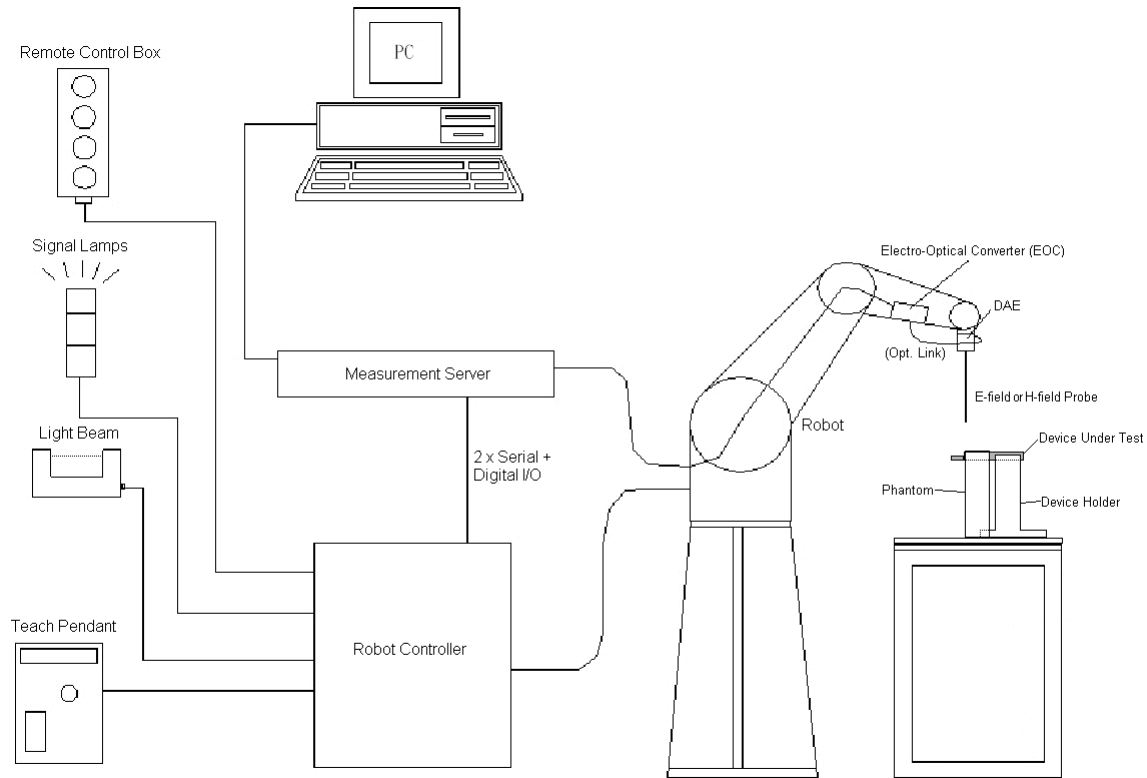


Fig 5.1 System Configurations

6.1 E-Field Probe System

E-Field Probe Specification

<ER3DV6>

Construction	One dipole parallel, two dipoles normal to probe axis Built-in shielding against static charges
Calibration	In air from 100 MHz to 3.0 GHz (absolute accuracy $\pm 6.0\%$, k=2)
Frequency	100 MHz to 6 GHz; Linearity: ± 2.0 dB (100 MHz to 3 GHz)
Directivity	± 0.2 dB in air (rotation around probe axis) ± 0.4 dB in air (rotation normal to probe axis)
Dynamic Range	2 V/m to 1000 V/m (M3 or better device readings fall well below diode compression point)
Linearity	± 0.2 dB
Dimensions	Overall length: 330 mm (Tip: 16 mm) Tip diameter: 8 mm (Body: 12 mm) Distance from probe tip to dipole centers: 2.5 mm



Fig 5.2 Photo of E-field Probe

Probe Tip Description:

HAC field measurements take place in the close near field with high gradients. Increasing the measuring distance from the source will generally decrease the measured field values (in case of the validation dipole approx. 10% per mm).

6.2 Data Storage and Evaluation

The DASYS software stores the assessed data from the data acquisition electronics as raw data (in microvolt readings from the probe sensors), together with all the necessary software parameters for the data evaluation (probe calibration data, and device frequency and modulation data) in measurement files.

Probe parameters :	- Sensitivity	Norm _i , a _{i0} , a _{i1} , a _{i2}
	- Conversion factor	ConvF _i
	- Diode compression point	dcp _i
Device parameters :	- Frequency	f
	- Crest factor	cf
Media parameters :	- Conductivity	σ
	- Density	ρ

The formula for each channel can be given as :

$$V_i = U_i + U_i^2 \cdot \frac{cf}{dcp_i}$$

with V_i = compensated signal of channel i , ($i = x, y, z$)
 U_i = input signal of channel i , ($i = x, y, z$)
 cf = crest factor of exciting field (DASY parameter)
 dcp_i = diode compression point (DASY parameter)

From the compensated input signals, the primary field data for each channel can be evaluated :

$$\text{E-field Probes : } E_i = \sqrt{\frac{V_i}{\text{Norm}_i \cdot \text{ConvF}}}$$

with V_i = compensated signal of channel i , ($i = x, y, z$)
 Norm_i = sensor sensitivity of channel i , ($i = x, y, z$), $\mu\text{V}/(\text{V}/\text{m})^2$ for E-field Probes
 ConvF = sensitivity enhancement in solution
 f = carrier frequency [GHz]
 E_i = electric field strength of channel i in V/m

The RSS value of the field components gives the total field strength (Hermitian magnitude) :

$$E_{\text{tot}} = \sqrt{E_x^2 + E_y^2 + E_z^2}$$

The primary field data are used to calculate the derived field units.



7. RF Emissions Test Procedure

Referenced from ANSI C63.19 -2011 section 5.5.1

- a. Confirm the proper operation of the field probe, probe measurement system, and other instrumentation and the positioning system.
- b. Position the WD in its intended test position.
- c. Set the WD to transmit a fixed and repeatable combination of signal power and modulation characteristic that is representative of the worst case (highest interference potential) encountered in normal use. Transiently occurring start-up, changeover, or termination conditions, or other operations likely to occur less than 1% of the time during normal operation, may be excluded from consideration.
- d. The center sub-grid shall be centered on the T-Coil mode perpendicular measurement point or the acoustic output, as appropriate. Locate the field probe at the initial test position in the 50 mm by 50 mm grid, which is contained in the measurement plane, refer to illustrated in Figure 8.2. If the field alignment method is used, align the probe for maximum field reception.
- e. Record the reading at the output of the measurement system.
- f. Scan the entire 50 mm by 50 mm region in equality spaced increments and record the reading at each measurement point, The distance between measurement points shall be sufficient to assure the identification of the maximum reading.
- g. Identify the five contiguous sub-grids around the center sub-grid whose maximum reading is the lowest of all available choices. This eliminates the three sub-grids with the maximum readings. Thus, the six areas to be used to determine the WD's highest emissions are identified.
- h. Identify the maximum reading within the non-excluded sub-grids identified in step g).
 - i. Indirect measurement method
 - j. The RF audio interference level in dB (V/m) is obtained by adding the MIF (in dB) to the maximum steady-state rms field-strength reading, in dB (V/m)
- k. Compare this RF audio interference level with the categories in ANSI C63.19-2011 clause 8 and record the resulting WD category rating.
- l. For the T-Coil perpendicular measurement location is ≥ 5.0 mm from the center of the acoustic output, then two different 50 mm by 50 mm areas may need to be scanned, the first for the microphone mode assessment and the second for the T-Coil assessment.
- m. The second for the T-Coil assessment, with the grid shifted so that it is centered on the perpendicular measurement point. Record the WD category rating.

Test Instructions



Figure 8.1 RF Emissions Flow Chart

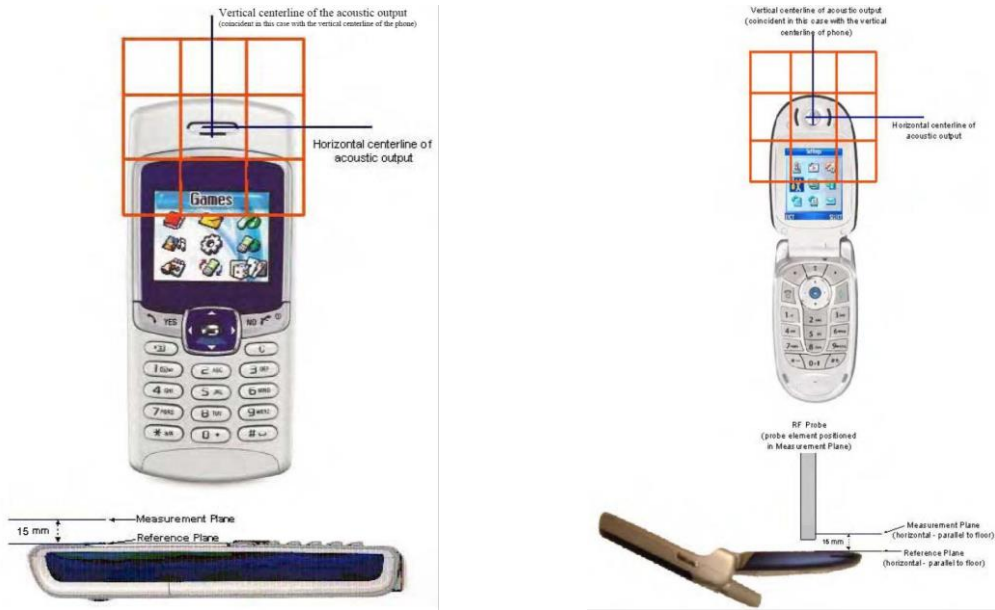


Fig 8.2 EUT reference and plane for HAC RF emission measurements

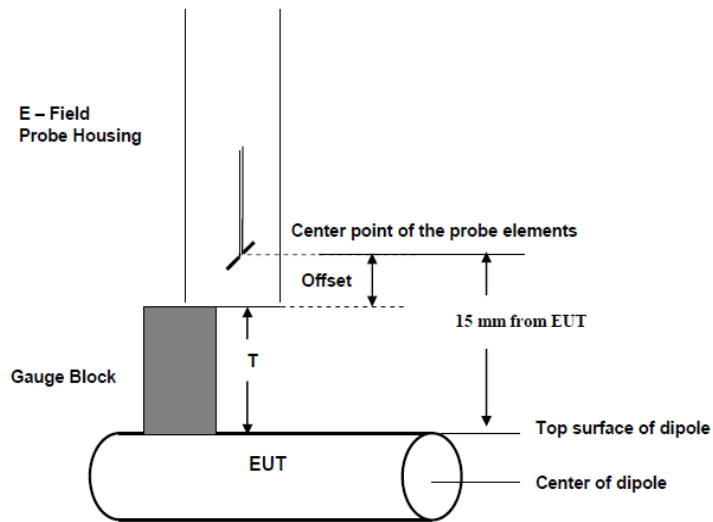


Fig. 8.3 Gauge block with E-field probe



8. Test Equipment List

Table with 6 columns: Manufacturer, Name of Equipment, Type/Model, Serial Number, Last Cal., Due Date. Rows include various calibration dipoles, test arch phantom, phone positioner, signal generator, power meter, power sensor, dual directional coupler, attenuator, spectrum analyzer, and power amplifiers.

Note:

- 1. NCR: "No-Calibration Required"
2. The dipole calibration interval can be extended to 3 years with justification according to KDB 865664 D01. The dipoles are also not physically damaged, or repaired during the interval.

9. Measurement System Validation

Each DASY system is equipped with one or more system validation kits. These units, together with the predefined measurement procedures within the DASY software, enable the user to conduct the system performance check and system validation. System validation kit includes a dipole, tripod holder to fix it underneath the test Arch and a corresponding distance holder.

The system performance check verifies that the system operates within its specifications. System and operator errors can be detected and corrected. It is recommended that the system performance check be performed prior to any usage of the system in order to guarantee reproducible results. The system performance check uses normal HAC measurements in a simplified setup with a well characterized source. This setup was selected to give a high sensitivity to all parameters that might fail or vary over time. The system check does not intend to replace the calibration of the components, but indicates situations where the system uncertainty is exceeded due to drift or failure.

<Test Setup>

1. In the simplified setup for system evaluation, the EUT is replaced by a calibrated dipole and the power source is replaced by a continuous wave which comes from a signal generator.
2. The center point of the probe element(s) is 15mm from the closest surface of the dipole elements.
3. The calibrated dipole must be placed beneath the arch phantom. The equipment setup is shown below:
4. The output power on dipole port must be calibrated to 20dBm (100mW) before dipole is connected.

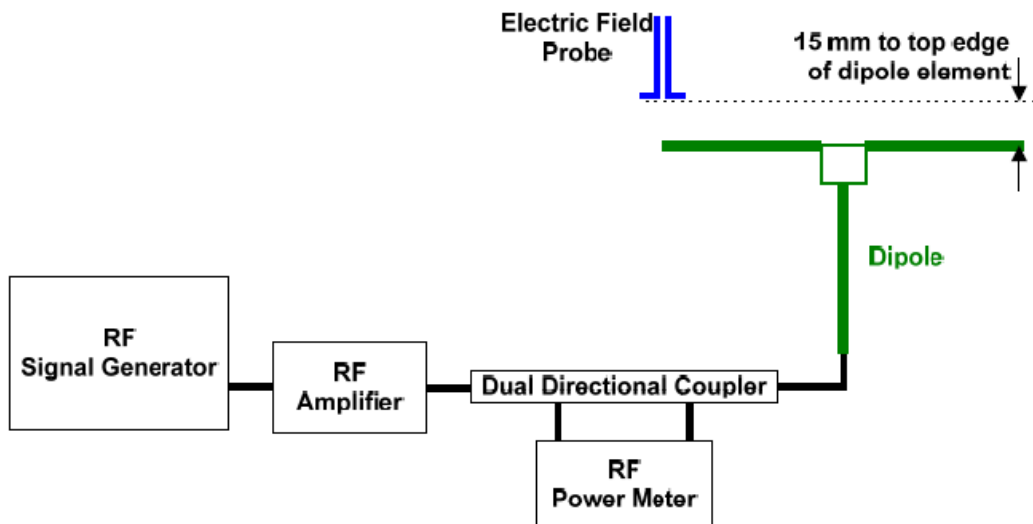


Fig. 7.1 Setup Diagram

<Validation Results>

Comparing to the original E-field value provided by SPEAG, the verification data should be within its specification of 25 %. Table 6.1 shows the target value and measured value. The table below indicates the system performance check can meet the variation criterion and the plots can be referred to appendix A of this report.

$$\text{Deviation} = ((\text{Average E-field Value}) - (\text{Target value})) / (\text{Target value}) * 100\%$$

Frequency (MHz)	Input Power (dBm)	Target Value (V/m)	E-Field 1 (V/m)	E-Field 2 (V/m)	Average Value (V/m)	Deviation (%)	Date
835	20	106.8	119.7	112.9	116.3	8.90	May 24, 2023
1880	20	85.5	89.43	92.46	90.945	6.37	May 24, 2023
2450	20	85.5	85.09	85.04	85.065	-0.51	May 24, 2023
2600	20	82.9	82.56	87.03	84.795	2.29	May 24, 2023
3500	20	83.4	87	86.1	86.55	3.78	May 24, 2023
5500	20	99	88.99	94.22	91.605	-7.47	May 24, 2023



10. Modulation Interference Factor

The HAC Standard ANSI C63.19-2011 defines a new scaling using the Modulation Interference Factor (MIF). For any specific fixed and repeatable modulated signal, a modulation interference factor (MIF, expressed in dB) may be developed that relates its interference potential to its steady-state rms signal level or average power level. This factor is a function only of the audio-frequency amplitude modulation characteristics of the signal and is the same for field-strength and conducted power measurements. It is important to emphasize that the MIF is valid only for a specific repeatable audio-frequency amplitude modulation characteristic. Any change in modulation characteristic requires determination and application of a new MIF

The Modulation Interference factor (MIF, in dB) is added to the measured average E-field (in dBV/m) and converts it to the RF Audio Interference level (in dBV/m). This level considers the audible amplitude modulation components in the RF E-field. CW fields without amplitude modulation are assumed to not interfere with the hearing aid electronics. Modulations without time slots and low fluctuations at low frequencies have low MIF values, TDMA modulations with narrow transmission and repetition rates of few 100 Hz have high MIF values and give similar classifications as ANSI C63.19-2011.

ER3D, EF3D and EU2D E-field probes have a bandwidth <10 kHz and can therefore not evaluate the RF envelope in the full audio band. DASY52 is therefore using the indirect measurement method according to ANSI C63.19-2011 which is the primary method. These near field probes read the averaged E-field measurement. Especially for the new high peak-to-average (PAR) signal types, the probes shall be linearized by PMR calibration in order to not overestimate the field reading. Probe Modulation Response (PMR) calibration linearizes the probe response over its dynamic range for specific modulations which are characterized by their UID and result in an uncertainty specified in the probe calibration certificate. The MIF is characteristic for a given waveform envelope and can be used as a constant conversion factor if the probe has been PMR calibrated.

The evaluation method for the MIF is defined in ANSI C63.19-2011 section D.7. An RMS demodulated RF signal is fed to a spectral filter (similar to an A weighting filter) and forwarded to a temporal filter acting as a quasi-peak detector. The averaged output of these filtering is scaled to a 1 kHz 80% AM signal as reference. MIF measurement requires additional instrumentation and is not well suited for evaluation by the end user with reasonable uncertainty. It may alternatively be determined through analysis and simulation, because it is constant and characteristic for a communication signal. DASY52 uses well-defined signals for PMR calibration. The MIF of these signals has been determined by simulation and it is automatically applied.

The MIF measurement uncertainty is estimated as follows, declared by HAC equipment provider SPEAG, for modulation frequencies from slotted waveforms with fundamental frequency and at least 2 harmonics within 10 kHz:

- 1. 0.2 dB for MIF: -7 to +5 dB
2. 0.5 dB for MIF: -13 to +11 dB
3. 1 dB for MIF: > -20 dB

MIF values applied in this test report were provided by the HAC equipment provider of SPEAG, and the worst values for all air interface are listed below to be determine the Low-power Exemption.

Table with 3 columns: UID, Communication System Name, MIF(dB). Rows include GSM-FDD, EDGE-FDD, UMTS-FDD, LTE-FDD, 5G NR, and IEEE WiFi standards with their respective MIF values.



11. Low-power Exemption

<Max Tune-up Limit>

1. The maximum tune-up power was conservatively used to evaluate low power exemption.
2. Since the device support TAS feature for LTE and FR1, thus HAC RF was evaluated at Pmax Power level.

WWAN

Radio Tech	Band Number	Average Power (dBm)					
		Ant 0	Ant 1	Ant 2	Ant 5	Ant 6	Ant 7
GSM/GPRS 1TX	850	33.50	33.10				
EGPRS 1TX	850	28.00	27.60				
GSM/GPRS 1TX	1900	30.20		31.00			
EGPRS 1TX	1900	25.20		26.00			
UMTS/HSPA	B2	25.20		25.40			
UMTS/HSPA	B4	25.20		25.40			
UMTS/HSPA	B5	25.40	25.50				
LTE	B2	25.20	25.40	25.40	25.20		
LTE	B4	25.20	25.40	25.40	25.20		
LTE	B5	25.40	25.40				
LTE	B7	25.00		25.40			
LTE	B12	25.40	25.50				
LTE	B13	25.40	25.50				
LTE	B14	25.40	25.50				
LTE	B17	25.40	25.50				
LTE	B25	25.20		25.40			
LTE	B26	25.40	25.40				
LTE	B30	23.40		23.10			
LTE	B38 PC3	23.50		23.90			
LTE	B38 PC2	26.50		26.90			
LTE	B41 PC3	23.50		23.90			
LTE	B41 PC2	26.50		26.90			
LTE	B48					22.40	24.70
LTE	B66	25.20	25.40	25.40	25.20		
LTE	B71	25.40	25.50				
5G FR1	n2	25.20	25.40	25.40	25.20		
5G FR1	n5	25.40	25.00				
5G FR1	n7	24.30		25.40			
5G FR1	n12	25.40	25.20				
5G FR1	n25	25.20		25.40			
5G FR1	n26	25.40	25.00				
5G FR1	n30	23.40		23.10			
5G FR1	n38 PC3	25.00	25.40	25.40	25.00		
5G FR1	n41 PC3	23.50	23.90	23.90	23.50		
5G FR1	n41 PC2	26.50	26.90	26.90	26.20		
5G FR1	n41 PC1.5	25.00	25.40	25.40	25.00		
5G FR1	n48		22.40		24.30	22.40	24.30
5G FR1	n66	25.20	25.40	25.40	25.20		
5G FR1	n70	25.20		25.40			
5G FR1	n71	25.40	25.20				
5G FR1	n77 PC3		24.10		23.60	24.60	24.00
5G FR1	n77 PC2		27.10		26.60	27.60	26.40
5G FR1	n77 PC1.5		25.60		25.10	26.10	24.90
5G FR1	n78 PC3		24.10		24.30	24.10	24.00
5G FR1	n78 PC2					27.10	26.00



<Low Power Exemption>

WWAN

General Note:

1. EDGE data mode test can be covered by GSM Voice mode, as GSM voice mode represents the worst case.
2. According to ANSI C63.19 2011-version, for the air interface technology of a device is exempt from testing when its average antenna input power plus its MIF is ≤ 17 dBm for any of its operating modes.
3. HAC RF rating is M4 for the air interface which meets the low power exemption.
4. The low power exemption was assessed by the each wireless air interface maximum power with each transmit antenna, and the air interface that was not exempted was further considered testing.
5. The maximum power was conservatively used to evaluate HAC RF testing.

Ant 0				
Air Interface	Max Average Antenna Input Power (dBm)	Worst Case MIF (dB)	Power + MIF(dB)	C63.19 test required
GSM850	33.50	3.63	37.13	Yes
EDGE850	28.00	3.75	31.75	Yes ⁽¹⁾
GSM1900	30.20	3.63	33.83	Yes
EDGE1900	25.20	3.75	28.95	Yes ⁽¹⁾
WCDMA	25.40	-25.43	-0.03	No
WCDMA - HSPA	25.40	-20.39	5.01	No
LTE - FDD	25.40	-9.76	15.64	No
LTE - TDD-PC3	23.50	-1.44	22.06	Yes
LTE - TDD-PC2	26.50	-1.44	25.06	Yes
5G FR1 - FDD	25.40	-12.08	13.32	No
5G NR - TDD - PC3	25.00	-12.08	12.92	No
5G NR - TDD - PC2 / PC1.5	25.00	-1.64	23.36	Yes

Ant 1				
Air Interface	Max Average Antenna Input Power (dBm)	Worst Case MIF (dB)	Power + MIF(dB)	C63.19 test required
GSM850	33.10	3.63	36.73	Yes
EDGE850	27.60	3.75	31.35	Yes ⁽¹⁾
WCDMA	25.50	-25.43	0.07	No
WCDMA - HSPA	25.50	-20.39	5.11	No
LTE - FDD	25.50	-9.76	15.74	No
5G FR1 - FDD	25.40	-12.08	13.32	No
5G NR - TDD - PC3	25.40	-12.08	13.32	No
5G NR - TDD - PC2 / PC1.5	25.60	-1.64	23.96	Yes

Ant 2				
Air Interface	Max Average Antenna Input Power (dBm)	Worst Case MIF (dB)	Power + MIF(dB)	C63.19 test required
GSM1900	31.00	3.63	34.63	Yes
EDGE1900	26.00	3.75	29.75	Yes ⁽¹⁾
WCDMA	25.40	-25.43	-0.03	No
WCDMA - HSPA	25.40	-20.39	5.01	No
LTE - FDD	25.40	-9.76	15.64	No
LTE - TDD-PC3	23.90	-1.44	22.46	Yes
LTE - TDD-PC2	26.90	-1.44	25.46	Yes
5G FR1 - FDD	25.40	-12.08	13.32	No
5G NR - TDD - PC3	25.40	-12.08	13.32	No
5G NR - TDD - PC2 / PC1.5	25.40	-1.64	23.76	Yes



Ant 5				
Air Interface	Max Average Antenna Input Power (dBm)	Worst Case MIF (dB)	Power + MIF(dB)	C63.19 test required
LTE - FDD	25.20	-9.76	15.44	No
5G FR1 - FDD	25.20	-12.08	13.12	No
5G NR - TDD - PC3	25.00	-12.08	12.92	No
5G NR - TDD - PC2 / PC1.5	25.10	-1.64	23.46	Yes

Ant 6				
Air Interface	Max Average Antenna Input Power (dBm)	Worst Case MIF (dB)	Power + MIF(dB)	C63.19 test required
LTE – TDD	22.40	-1.44	20.96	Yes
5G NR - TDD - PC3	24.60	-12.08	12.52	No
5G NR - TDD - PC2 / PC1.5	27.60	-1.64	24.46	Yes

Ant 7				
Air Interface	Max Average Antenna Input Power (dBm)	Worst Case MIF (dB)	Power + MIF(dB)	C63.19 test required
LTE – TDD	24.70	-1.44	23.26	Yes
5G NR - TDD - PC3	24.30	-12.08	12.22	No
5G NR - TDD - PC2 / PC1.5	26.40	-1.64	23.26	Yes



<Max Tune-up Limit>

The maximum tune-up power was conservatively used to evaluate low power exemption.

WLAN

Antenna	Ant 3	Ant 4	Ant 4+3
2.4GHz WLAN	802.11b	20.00	16.00
	802.11g		19.00
	802.11n-HT20		19.00
	802.11ac-VHT20		19.00
	802.11ax-HE20		19.00
5GHz WLAN	802.11be-EHT20		19.00
	802.11a		22.00
	802.11n-HT20		22.00
	802.11n-HT40		22.00
	802.11ac-VHT20		22.00
	802.11ac-VHT40		22.00
	802.11ac-VHT80		22.00
	802.11ac-VHT160		20.50
	802.11ax-HE20		22.00
	802.11ax-HE40		22.00
	802.11ax-HE80		22.00
	802.11ax-HE160		20.50
	802.11be-EHT20		22.00
	802.11be-EHT40		22.00
802.11be-EHT80		22.00	
802.11be-EHT160		20.50	
6GHz WLAN	802.11a		19.00
	802.11ax-HE20		19.00
	802.11ax-HE40		19.00
	802.11ax-HE80		19.00
	802.11ax-HE160		19.00
	802.11be-EHT20		19.00
	802.11be-EHT40		19.00
	802.11be-EHT80		19.00
802.11be-EHT160		19.00	



<Low Power Exemption>

WLAN

General Note:

1. According to ANSI C63.19 2011-version, for the air interface technology of a device is exempt from testing when its average antenna input power plus its MIF is ≤ 17 dBm for any of its operating modes.
2. HAC RF rating is M4 for the air interface which meets the low power exemption.
3. The low power exemption was assessed by the each wireless air interface maximum power with each transmit antenna when device operate in head mode, and the air interface that was not exempted was further considered testing.
4. The maximum power was conservatively used to evaluate HAC RF testing.

Ant 3					
Air Interface		Max Average Antenna Input Power (dBm)	Worst Case MIF (dB)	Power + MIF(dB)	C63.19 test required
2.4GHz WLAN	802.11b	20.00	-2.02	17.98	Yes

Ant 4					
Air Interface		Max Average Antenna Input Power (dBm)	Worst Case MIF (dB)	Power + MIF(dB)	C63.19 test required
2.4GHz WLAN	802.11b	16.00	-2.02	13.98	No

Ant 3+4					
Air Interface		Max Average Antenna Input Power (dBm)	Worst Case MIF (dB)	Power + MIF(dB)	C63.19 test required
2.4GHz WLAN	802.11g	19.00	0.12	19.12	Yes
	802.11n-HT20	19.00	-13.44	5.56	No
	802.11ac-VHT20	19.00	-5.57	13.43	No
	802.11ax-HE20	19.00	-5.58	13.42	No
	802.11be-EHT20	19.00	-28.73	-9.73	No
5GHz WLAN	802.11a	22.00	-3.15	18.85	Yes
	802.11n-HT20	22.00	-13.44	8.56	No
	802.11n-HT40	22.00	-13.44	8.56	No
	802.11ac-VHT20	22.00	-5.57	16.43	No
	802.11ac-VHT40	22.00	-5.57	16.43	No
	802.11ac-VHT80	22.00	-5.57	16.43	No
	802.11ac-VHT160	20.50	-5.57	14.93	No
	802.11ax-HE20	22.00	-5.58	16.42	No
	802.11ax-HE40	22.00	-5.58	16.42	No
	802.11ax-HE80	22.00	-5.58	16.42	No
	802.11ax-HE160	20.50	-5.58	14.92	No
	802.11be-EHT20	22.00	-28.73	-6.73	No
	802.11be-EHT40	22.00	-28.73	-6.73	No
	802.11be-EHT80	22.00	-28.73	-6.73	No
802.11be-EHT160	20.50	-28.73	-8.23	No	
6GHz WLAN	802.11a	19.00	-3.15	15.85	No
	802.11ax-HE20	19.00	-5.58	13.42	No
	802.11ax-HE40	19.00	-5.58	13.42	No
	802.11ax-HE80	19.00	-5.58	13.42	No
	802.11ax-HE160	19.00	-5.58	13.42	No
	802.11be-EHT20	19.00	-28.73	-9.73	No
	802.11be-EHT40	19.00	-28.73	-9.73	No
	802.11be-EHT80	19.00	-28.73	-9.73	No
802.11be-EHT160	19.00	-28.73	-9.73	No	



12. Conducted RF Output Power (Unit: dBm)

<GSM850_Ant 0>

Band GSM850	Burst Average Power (dBm)		
TX Channel	128	189	251
Frequency (MHz)	824.2	836.4	848.8
GSM (GMSK, 1 Tx slot)	32.22	32.43	32.5

<GSM850_Ant 1>

Band GSM850	Burst Average Power (dBm)		
TX Channel	128	189	251
Frequency (MHz)	824.2	836.4	848.8
GSM (GMSK, 1 Tx slot)	31.99	31.84	31.77

<GSM1900_Ant 0>

Band GSM1900	Burst Average Power (dBm)		
TX Channel	512	661	810
Frequency (MHz)	1850.2	1880	1909.8
GSM (GMSK, 1 Tx slot)	29.44	29.22	29.06

<GSM1900_Ant 2>

Band GSM1900	Burst Average Power (dBm)		
TX Channel	512	661	810
Frequency (MHz)	1850.2	1880	1909.8
GSM (GMSK, 1 Tx slot)	29.52	29.76	29.64



<TDD LTE Band 41_Ant 0>

BW [MHz]	Modulation	RB Size	RB Offset	Power Low Ch. / Freq.	Power Low Middle Ch. / Freq.	Power Middle Ch. / Freq.	Power High Middle Ch. / Freq.	Power High Ch. / Freq.
Channel				39750	40185	40620	41055	41490
Frequency (MHz)				2506	2549.5	2593	2636.5	2680
20	QPSK	1	0	22.58	22.10	22.36	22.41	22.39

<TDD LTE Band 41_HPUE_Ant 0>

BW [MHz]	Modulation	RB Size	RB Offset	Power Low Ch. / Freq.
Channel				39750
Frequency (MHz)				2506
20	QPSK	1	0	25.54

<TDD LTE Band 41_Ant 2>

BW [MHz]	Modulation	RB Size	RB Offset	Power Low Ch. / Freq.	Power Low Middle Ch. / Freq.	Power Middle Ch. / Freq.	Power High Middle Ch. / Freq.	Power High Ch. / Freq.
Channel				39750	40185	40620	41055	41490
Frequency (MHz)				2506	2549.5	2593	2636.5	2680
20	QPSK	1	0	23.51	23.08	23.26	23.31	23.16

<TDD LTE Band 41_HPUE_Ant 2>

BW [MHz]	Modulation	RB Size	RB Offset	Power Low Ch. / Freq.
Channel				39750
Frequency (MHz)				2506
20	QPSK	1	0	26.31

<TDD LTE Band 48_Ant 6>

BW [MHz]	Modulation	RB Size	RB Offset	Power Low Ch. / Freq.	Power Low Middle Ch. / Freq.	Power High Middle Ch. / Freq.	Power High Ch. / Freq.
Channel				55340	55830	56150	56640
Frequency (MHz)				3560	3609	3641	3690
20	QPSK	1	0	20.88	20.75	21.14	20.80

<TDD LTE Band 48_Ant 7>

BW [MHz]	Modulation	RB Size	RB Offset	Power Low Ch. / Freq.	Power Low Middle Ch. / Freq.	Power High Middle Ch. / Freq.	Power High Ch. / Freq.
Channel				55340	55830	56150	56640
Frequency (MHz)				3560	3609	3641	3690
20	QPSK	1	0	22.92	22.88	23.10	22.86



<FR1_n41_HPUE_Ant 2>

BW [MHz]	Modulation	RB Size	RB Offset	Power Low Ch. / Freq.	Power Middle Ch. / Freq.	Power High Ch. / Freq.
Channel				509202	518598	528000
Frequency (MHz)				2546.01	2592.99	2640
100	PI/2 BPSK	1	1	26.35	26.32	26.27

<FR1_n41_ULMIMO_Ant 2+1>

BW [MHz]	Modulation	RB Size	RB Offset	Power Low Ch. / Freq.	Power Middle Ch. / Freq.	Power High Ch. / Freq.
Channel				509202	518598	528000
Frequency (MHz)				2546.01	2592.99	2640
100	PI/2 BPSK	1	1	25.01	25.00	24.87

<FR1_n41_HPUE_Ant 0>

BW [MHz]	Modulation	RB Size	RB Offset	Power Low Ch. / Freq.	Power Middle Ch. / Freq.	Power High Ch. / Freq.
Channel				509202	518598	528000
Frequency (MHz)				2546.01	2592.99	2640
100	PI/2 BPSK	1	1	25.04	25.14	24.84

<FR1_n41_ULMIMO_Ant 0+5>

BW [MHz]	Modulation	RB Size	RB Offset	Power Low Ch. / Freq.	Power Middle Ch. / Freq.	Power High Ch. / Freq.
Channel				509202	518598	528000
Frequency (MHz)				2546.01	2592.99	2640
100	PI/2 BPSK	1	1	24.99	24.84	24.65

<FR1_n41_HPUE_Ant 1>

BW [MHz]	Modulation	RB Size	RB Offset	Power Low Ch. / Freq.	Power Middle Ch. / Freq.	Power High Ch. / Freq.
Channel				509202	518598	528000
Frequency (MHz)				2546.01	2592.99	2640
100	PI/2 BPSK	1	1	26.17	26.26	26.07

<FR1_n41_ULMIMO_Ant 2+5>

BW [MHz]	Modulation	RB Size	RB Offset	Power Low Ch. / Freq.	Power Middle Ch. / Freq.	Power High Ch. / Freq.
Channel				509202	518598	528000
Frequency (MHz)				2546.01	2592.99	2640
100	PI/2 BPSK	1	1	25.04	24.64	24.69

<FR1_n41_HPUE_Ant 5>

BW [MHz]	Modulation	RB Size	RB Offset	Power Low Ch. / Freq.	Power Middle Ch. / Freq.	Power High Ch. / Freq.
Channel				509202	518598	528000
Frequency (MHz)				2546.01	2592.99	2640
100	PI/2 BPSK	1	1	24.94	24.94	24.67

<FR1_n41_ULMIMO_Ant 0+1>

BW [MHz]	Modulation	RB Size	RB Offset	Power Low Ch. / Freq.	Power Middle Ch. / Freq.	Power High Ch. / Freq.
Channel				509202	518598	528000
Frequency (MHz)				2546.01	2592.99	2640
100	PI/2 BPSK	1	1	25.16	24.68	24.82



<FR1_n77_HPUE_Ant 6> Part 27O

BW [MHz]	Modulation	RB Size	RB Offset	Power Low Ch. / Freq.	Power Middle Ch. / Freq.	Power High Ch. / Freq.
Channel				650000	656000	662000
Frequency (MHz)				3750	3840	3930
100	PI/2 BPSK	1	1	26.68	26.49	26.56

<FR1_n77_HPUE_Ant 6> Part 27Q

BW [MHz]	Modulation	RB Size	RB Offset	Power Low Ch. / Freq.	Power Middle Ch. / Freq.	Power High Ch. / Freq.
Channel					633332	
Frequency (MHz)					3499.98	
100	PI/2 BPSK	1	1		26.58	

<FR1_n77_ULMIMO_Ant 6+1(1)> Part 27O

BW [MHz]	Modulation	RB Size	RB Offset	Power Low Ch. / Freq.	Power Middle Ch. / Freq.	Power High Ch. / Freq.
Channel				650000	656000	662000
Frequency (MHz)				3750	3840	3930
100	PI/2 BPSK	1	1	25.49	25.32	25.23

<FR1_n77_ULMIM_Ant 6+1(1)> Part 27Q

BW [MHz]	Modulation	RB Size	RB Offset	Power Low Ch. / Freq.	Power Middle Ch. / Freq.	Power High Ch. / Freq.
Channel					633332	
Frequency (MHz)					3499.98	
100	PI/2 BPSK	1	1		25.50	

<FR1_n77_HPUE_Ant 7> Part 27O

BW [MHz]	Modulation	RB Size	RB Offset	Power Low Ch. / Freq.	Power Middle Ch. / Freq.	Power High Ch. / Freq.
Channel				650000	656000	662000
Frequency (MHz)				3750	3840	3930
100	PI/2 BPSK	1	1	25.50	25.27	25.40

<FR1_n77_HPUE_Ant 7> Part 27Q

BW [MHz]	Modulation	RB Size	RB Offset	Power Low Ch. / Freq.	Power Middle Ch. / Freq.	Power High Ch. / Freq.
Channel					633332	
Frequency (MHz)					3499.98	
100	PI/2 BPSK	1	1		25.68	



<FR1_n77_ULMIMO_Ant 7+5(5)> Part 27O

BW [MHz]	Modulation	RB Size	RB Offset	Power Low Ch. / Freq.	Power Middle Ch. / Freq.	Power High Ch. / Freq.
Channel				650000	656000	662000
Frequency (MHz)				3750	3840	3930
100	PI/2 BPSK	1	1	24.15	24.19	24.93

<FR1_n77_ULMIMO_Ant 7+5(5)> Part 27Q

BW [MHz]	Modulation	RB Size	RB Offset	Power Low Ch. / Freq.	Power Middle Ch. / Freq.	Power High Ch. / Freq.
Channel					633332	
Frequency (MHz)					3499.98	
100	PI/2 BPSK	1	1		24.01	

<FR1_n77_HPUE_Ant 1> Part 27O

BW [MHz]	Modulation	RB Size	RB Offset	Power Low Ch. / Freq.	Power Middle Ch. / Freq.	Power High Ch. / Freq.
Channel				650000	656000	662000
Frequency (MHz)				3750	3840	3930
100	PI/2 BPSK	1	1	26.06	26.17	26.09

<FR1_n77_HPUE_Ant 1> Part 27Q

BW [MHz]	Modulation	RB Size	RB Offset	Power Low Ch. / Freq.	Power Middle Ch. / Freq.	Power High Ch. / Freq.
Channel					633332	
Frequency (MHz)					3499.98	
100	PI/2 BPSK	1	1		25.90	



<FR1_n77_ULMIMO_Ant 6+5(6)> Part 27O

BW [MHz]	Modulation	RB Size	RB Offset	Power Low Ch. / Freq.	Power Middle Ch. / Freq.	Power High Ch. / Freq.
Channel				650000	656000	662000
Frequency (MHz)				3750	3840	3930
100	PI/2 BPSK	1	1	24.98	25.08	24.82

<FR1_n77_ULMIMO_Ant 6+5(6)> Part 27Q

BW [MHz]	Modulation	RB Size	RB Offset	Power Low Ch. / Freq.	Power Middle Ch. / Freq.	Power High Ch. / Freq.
Channel					633332	
Frequency (MHz)					3499.98	
100	PI/2 BPSK	1	1		25.25	

<FR1_n77_HPUE_Ant 5> Part 27O

BW [MHz]	Modulation	RB Size	RB Offset	Power Low Ch. / Freq.	Power Middle Ch. / Freq.	Power High Ch. / Freq.
Channel				650000	656000	662000
Frequency (MHz)				3750	3840	3930
100	PI/2 BPSK	1	1	25.63	25.87	26.03

<FR1_n77_HPUE_Ant 5> Part 27Q

BW [MHz]	Modulation	RB Size	RB Offset	Power Low Ch. / Freq.	Power Middle Ch. / Freq.	Power High Ch. / Freq.
Channel					633332	
Frequency (MHz)					3499.98	
100	PI/2 BPSK	1	1		26.12	

<FR1_n77_ULMIMO_Ant 7+1(1)> Part 27O

BW [MHz]	Modulation	RB Size	RB Offset	Power Low Ch. / Freq.	Power Middle Ch. / Freq.	Power High Ch. / Freq.
Channel				650000	656000	662000
Frequency (MHz)				3750	3840	3930
100	PI/2 BPSK	1	1	24.79	25.25	25.00

<FR1_n77_ULMIMO_Ant 7+1(1)> Part 27Q

BW [MHz]	Modulation	RB Size	RB Offset	Power Low Ch. / Freq.	Power Middle Ch. / Freq.	Power High Ch. / Freq.
Channel					633332	
Frequency (MHz)					3499.98	
100	PI/2 BPSK	1	1		25.34	



<WLAN 2.4GHz_Ant 3>

Mode	Channel	Frequency (MHz)	Average power (dBm)
2.4GHz WLAN 802.11g 6Mbps	1	2412	20.00
	6	2437	19.90
	11	2462	19.80
	12	2467	19.70
	13	2472	19.20

<WLAN 2.4GHz_Ant 3+4>

Mode	Channel	Frequency (MHz)	Average power (dBm)
2.4GHz WLAN 802.11g 6Mbps	1	2412	18.61
	6	2437	18.57
	11	2462	18.32
	12	2467	18.51
	13	2472	15.06

<WLAN 5GHz_Ant 3+4>

Mode	Channel	Frequency (MHz)	Average power (dBm)
5.2GHz WLAN 802.11a 6Mbps	36	5180	21.41
	40	5200	21.61
	44	5220	21.66
	48	5240	21.67
5.3GHz WLAN 802.11a 6Mbps	52	5260	20.37
	56	5280	20.11
	60	5300	20.26
	64	5320	20.41
5.5GHz WLAN 802.11a 6Mbps	100	5500	20.41
	116	5580	20.51
	124	5620	20.57
	132	5660	20.47
	140	5700	20.66
	144	5720	20.42
5.8GHz WLAN 802.11a 6Mbps	149	5745	19.82
	157	5785	19.77
	165	5825	18.87
5.9GHz WLAN 802.11a 6Mbps	169	5845	19.87
	173	5865	19.77
	177	5885	19.71



13. HAC RF Emission Test Results

Remark:

- 1. The HAC measurement system applies MIF value onto the measured RMS E-field, which is indirect method in ANSI C63.19 2011 version, and reports the RF audio interference level.
2. Phone Condition: Mute on; Backlight off; Max Volume
3. The LTE TDD power class 2 was spot check worst case configuration from power class3 to ensure the M rating also compliance.
4. Since the FR1 n41/77 that the maximum channel bandwidth does not support three non-overlapping channels in the frequency band, the middle channel of the group of overlapping channels were selected for testing.

Table with 10 columns: Plot No., Air Interface, Modulation / Mode, Channel, Transmit Ant., Average Antenna Input Power (dBm), MIF, E-Field (dBV/m), Margin to FCC M3 limit (dB), E-Field M Rating. Rows 1-34 contain test data for GSM850, GSM1900, LTE Band 41, LTE Band 48, and FR1_n41.



Plot No.	Air Interface	Modulation / Mode	Channel	Transmit Ant.	Average Antenna Input Power (dBm)	MIF	E-Field (dBV/m)	Margin to FCC M3 limit (dB)	E-Field M Rating
35	FR1_n77_HPUE	100M_BPSK_1_1	656000	Ant 6	26.49	-1.64	23.60	11.40	M4
36	FR1_n77_HPUE	100M_BPSK_1_1	633332	Ant 6	26.58	-1.64	21.09	13.91	M4
37	FR1_n77_ULMIMO	100M_BPSK_1_1	656000	Ant 6+1(1)	25.32	-1.64	24.65	10.35	M4
38	FR1_n77_ULMIMO	100M_BPSK_1_1	633332	Ant 6+1(1)	25.50	-1.64	25.77	9.23	M4
39	FR1_n77_HPUE	100M_BPSK_1_1	656000	Ant 7	25.27	-1.64	18.72	16.28	M4
40	FR1_n77_HPUE	100M_BPSK_1_1	633332	Ant 7	25.68	-1.64	20.39	14.61	M4
41	FR1_n77_ULMIMO	100M_BPSK_1_1	656000	Ant 7+5(5)	24.19	-1.64	21.07	13.93	M4
42	FR1_n77_ULMIMO	100M_BPSK_1_1	633332	Ant 7+5(5)	24.01	-1.64	18.95	16.05	M4
43	FR1_n77_HPUE	100M_BPSK_1_1	656000	Ant 1	26.17	-1.64	29.28	5.72	M4
44	FR1_n77_HPUE	100M_BPSK_1_1	633332	Ant 1	25.90	-1.64	30.75	4.25	M3
45	FR1_n77_ULMIMO	100M_BPSK_1_1	656000	Ant 6+5(6)	25.08	-1.64	21.05	13.95	M4
46	FR1_n77_ULMIMO	100M_BPSK_1_1	633332	Ant 6+5(6)	25.25	-1.64	19.05	15.95	M4
47	FR1_n77_HPUE	100M_BPSK_1_1	656000	Ant 5	25.87	-1.64	25.07	9.93	M4
48	FR1_n77_HPUE	100M_BPSK_1_1	633332	Ant 5	26.12	-1.64	18.51	16.49	M4
49	FR1_n77_ULMIMO	100M_BPSK_1_1	656000	Ant 7+1(1)	25.25	-1.64	24.11	10.89	M4
50	FR1_n77_ULMIMO	100M_BPSK_1_1	633332	Ant 7+1(1)	25.34	-1.64	25.35	9.65	M4
51	WLAN2.4GHz	802.11b 1Mbps	1	Ant 3	20.00	-2.02	24.36	10.64	M4
52	WLAN2.4GHz	802.11b 1Mbps	6	Ant 3	19.90	-2.02	24.22	10.78	M4
53	WLAN2.4GHz	802.11b 1Mbps	11	Ant 3	19.80	-2.02	26.64	8.36	M4
54	WLAN2.4GHz	802.11g 6Mbps	1	Ant 3+4	18.61	0.12	27.12	7.88	M4
55	WLAN2.4GHz	802.11g 6Mbps	6	Ant 3+4	18.57	0.12	25.97	9.03	M4
56	WLAN2.4GHz	802.11g 6Mbps	11	Ant 3+4	18.32	0.12	27.36	7.64	M4
57	WLAN5GHz	802.11a 6Mbps	36	Ant 3+4	21.41	-3.15	23.22	11.78	M4
58	WLAN5GHz	802.11a 6Mbps	44	Ant 3+4	21.66	-3.15	23.57	11.43	M4
59	WLAN5GHz	802.11a 6Mbps	48	Ant 3+4	21.67	-3.15	23.71	11.29	M4
60	WLAN5GHz	802.11a 6Mbps	52	Ant 3+4	20.37	-3.15	23.02	11.98	M4
61	WLAN5GHz	802.11a 6Mbps	56	Ant 3+4	20.11	-3.15	23.50	11.50	M4
62	WLAN5GHz	802.11a 6Mbps	60	Ant 3+4	20.26	-3.15	23.40	11.60	M4
63	WLAN5GHz	802.11a 6Mbps	64	Ant 3+4	20.41	-3.15	23.14	11.86	M4
64	WLAN5GHz	802.11a 6Mbps	100	Ant 3+4	20.41	-3.15	22.04	12.96	M4
65	WLAN5GHz	802.11a 6Mbps	116	Ant 3+4	20.51	-3.15	20.60	14.40	M4
66	WLAN5GHz	802.11a 6Mbps	124	Ant 3+4	20.57	-3.15	20.93	14.07	M4
67	WLAN5GHz	802.11a 6Mbps	132	Ant 3+4	20.47	-3.15	21.31	13.69	M4
68	WLAN5GHz	802.11a 6Mbps	144	Ant 3+4	20.42	-3.15	22.62	12.38	M4
69	WLAN5GHz	802.11a 6Mbps	149	Ant 3+4	19.82	-3.15	22.32	12.68	M4
70	WLAN5GHz	802.11a 6Mbps	157	Ant 3+4	19.77	-3.15	23.34	11.66	M4
71	WLAN5GHz	802.11a 6Mbps	165	Ant 3+4	18.87	-3.15	24.79	10.21	M4
72	WLAN5GHz	802.11a 6Mbps	169	Ant 3+4	19.87	-3.15	25.25	9.75	M4
73	WLAN5GHz	802.11a 6Mbps	173	Ant 3+4	19.77	-3.15	25.47	9.53	M4
74	WLAN5GHz	802.11a 6Mbps	177	Ant 3+4	19.71	-3.15	25.80	9.20	M4

Test Engineer : Henry Chou and Charles Shen



14. Uncertainty Assessment

The component of uncertainty may generally be categorized according to the methods used to evaluate them. The evaluation of uncertainty by the statistical analysis of a series of observations is termed a Type A evaluation of uncertainty. The evaluation of uncertainty by means other than the statistical analysis of a series of observation is termed a Type B evaluation of uncertainty. Each component of uncertainty, however evaluated, is represented by an estimated standard deviation, termed standard uncertainty, which is determined by the positive square root of the estimated variance.

The combined standard uncertainty of the measurement result represents the estimated standard deviation of the result. It is obtained by combining the individual standard uncertainties of both Type A and Type B evaluation using the usual "root-sum-squares" (RSS) methods of combining standard deviations by taking the positive square root of the estimated variances. Expanded uncertainty is a measure of uncertainty that defines an interval about the measurement result within which the measured value is confidently believed to lie. It is obtained by multiplying the combined standard uncertainty by a coverage factor. For purpose of this document, a coverage factor two is used, which corresponds to confidence interval of about 95 %. The DASY uncertainty Budget is showed in Table 12.1.

The judgment of conformity in the report is based on the measurement results excluding the measurement uncertainty.

Error Description	Uncertainty Value (±%)	Probability Distribution	Divisor	Ci (E)	Standard Uncertainty (E)
Measurement System					
Probe Calibration	5.1	Normal	1	1	± 5.1 %
Axial Isotropy	4.7	Rectangular	√3	1	± 2.7 %
Sensor Displacement	16.5	Rectangular	√3	1	± 9.5 %
Boundary Effects	2.4	Rectangular	√3	1	± 1.4 %
Phantom Boundary Effects	7.2	Rectangular	√3	1	± 4.1 %
Linearity	4.7	Rectangular	√3	1	± 2.7 %
Scaling with PMR Calibration	10.0	Rectangular	√3	1	± 5.77 %
System Detection Limit	1.0	Rectangular	√3	1	± 0.6 %
Readout Electronics	0.3	Normal	1	1	± 0.3 %
Response Time	0.8	Rectangular	√3	1	± 0.5 %
Integration Time	2.6	Rectangular	√3	1	± 1.5 %
RF Ambient Conditions	3.0	Rectangular	√3	1	± 1.7 %
RF Reflections	12.0	Rectangular	√3	1	± 6.9 %
Probe Positioner	1.2	Rectangular	√3	1	± 0.7 %
Probe Positioning	4.7	Rectangular	√3	1	± 2.7 %
Extrap. and Interpolation	1.0	Rectangular	√3	1	± 0.6 %
Test Sample Related					
Device Positioning Vertical	4.7	Rectangular	√3	1	± 2.7 %
Device Positioning Lateral	1.0	Rectangular	√3	1	± 0.6 %
Device Holder and Phantom	2.4	Rectangular	√3	1	± 1.4 %
Power Drift	5.0	Rectangular	√3	1	± 2.9 %
Phantom and Setup Related					
Phantom Thickness	2.4	Rectangular	√3	1	± 1.4 %
Combined Standard Uncertainty					± 16.30 %
Coverage Factor for 95 %					K = 2
Combined Std. Uncertainty					± 16.30 %
Coverage Factor for 95 %					K = 2
Expanded STD Uncertainty					± 32.6 %
Declaration of Conformity: The test results with all measurement uncertainty excluded are presented in accordance with the regulation limits or requirements declared by manufacturers.					
Comments and Explanations: The declared of product specification for EUT presented in the report are provided by the manufacturer, and the manufacturer takes all the responsibilities for the accuracy of product specification.					

Uncertainty Budget of HAC free field assessment



15. References

- [1] ANSI C63.19-2011, "American National Standard for Methods of Measurement of Compatibility between Wireless Communications Devices and Hearing Aids", 27 May 2011.
- [2] FCC KDB 285076 D01v06r03, "Equipment Authorization Guidance for Hearing Aid Compatibility", Apr. 2023.
- [3] FCC KDB 285076 D03v01r06, "Hearing aid compatibility frequently asked questions", Jul. 2022
- [4] SPEAG DASY System Handbook