

System Check_Head_750MHz

DUT: D750V3-1012

Communication System: CW; Frequency: 750 MHz; Duty Cycle: 1:1

Medium: HSL_750_211203 Medium parameters used: $f = 750$ MHz; $\sigma = 0.887$ S/m; $\epsilon_r = 42.666$; $\rho = 1000$ kg/m³

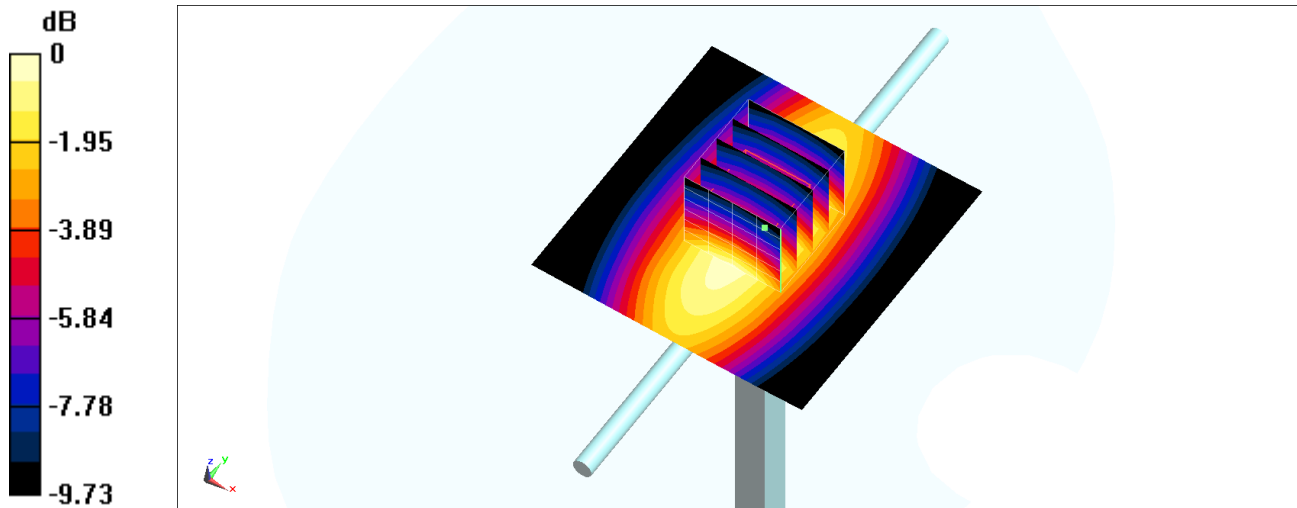
Ambient Temperature : 23.1 °C ; Liquid Temperature : 22.1 °C

DASY5 Configuration:

- Probe: ES3DV3 - SN3184; ConvF(6.59, 6.59, 6.59) @ 750 MHz; Calibrated: 2021/9/23
- Sensor-Surface: 3mm (Mechanical Surface Detection)
- Electronics: DAE4 Sn1424; Calibrated: 2021/1/19
- Phantom: SAM_Left; Type: SAM; Serial: 1796
- Measurement SW: DASY52, Version 52.10 (4); SEMCAD X Version 14.6.14 (7501)

Pin=250mW/Area Scan (61x61x1): Interpolated grid: dx=1.500 mm, dy=1.500 mm
Maximum value of SAR (interpolated) = 2.43 W/kg

Pin=250mW/Zoom Scan (5x5x7)/Cube 0: Measurement grid: dx=8mm, dy=8mm, dz=5mm
Reference Value = 54.65 V/m; Power Drift = -0.12 dB
Peak SAR (extrapolated) = 2.98 W/kg
SAR(1 g) = 2.07 W/kg; SAR(10 g) = 1.38 W/kg
Maximum value of SAR (measured) = 2.42 W/kg



0 dB = 2.42 W/kg = 3.84 dBW/kg

System Check_Head_750MHz

DUT: D750V3-1012

Communication System: CW; Frequency: 750 MHz; Duty Cycle: 1:1

Medium: HSL_750_211205 Medium parameters used: $f = 750$ MHz; $\sigma = 0.903$ S/m; $\epsilon_r = 41.752$; $\rho = 1000$ kg/m³

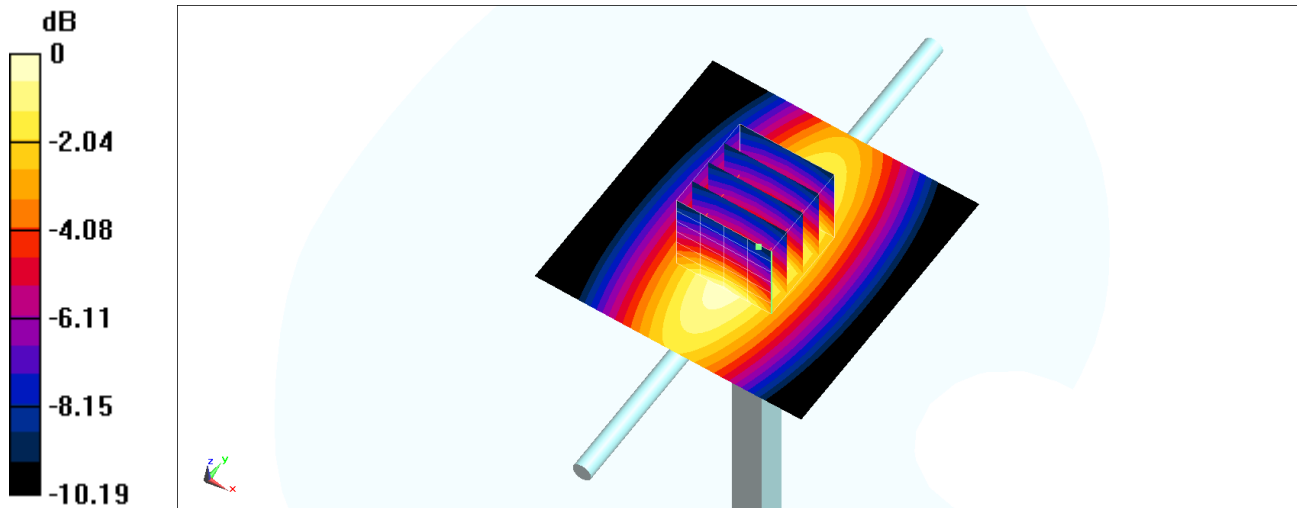
Ambient Temperature : 23.5 °C ; Liquid Temperature : 22.5 °C

DASY5 Configuration:

- Probe: ES3DV3 - SN3184; ConvF(6.59, 6.59, 6.59) @ 750 MHz; Calibrated: 2021/9/23
- Sensor-Surface: 3mm (Mechanical Surface Detection)
- Electronics: DAE4 Sn1424; Calibrated: 2021/1/19
- Phantom: SAM_Left; Type: SAM; Serial: 1796
- Measurement SW: DASY52, Version 52.10 (4); SEMCAD X Version 14.6.14 (7501)

Pin=250mW/Area Scan (61x61x1): Interpolated grid: dx=1.500 mm, dy=1.500 mm
Maximum value of SAR (interpolated) = 2.46 W/kg

Pin=250mW/Zoom Scan (5x5x7)/Cube 0: Measurement grid: dx=8mm, dy=8mm, dz=5mm
Reference Value = 53.98 V/m; Power Drift = -0.06 dB
Peak SAR (extrapolated) = 3.10 W/kg
SAR(1 g) = 2.13 W/kg; SAR(10 g) = 1.43 W/kg
Maximum value of SAR (measured) = 2.48 W/kg



0 dB = 2.48 W/kg = 3.94 dBW/kg

System Check_Head_750MHz

DUT: D750V3-1012

Communication System: CW; Frequency: 750 MHz; Duty Cycle: 1:1

Medium: HSL_750_211206 Medium parameters used: $f = 750$ MHz; $\sigma = 0.887$ S/m; $\epsilon_r = 40.871$; $\rho = 1000$ kg/m³

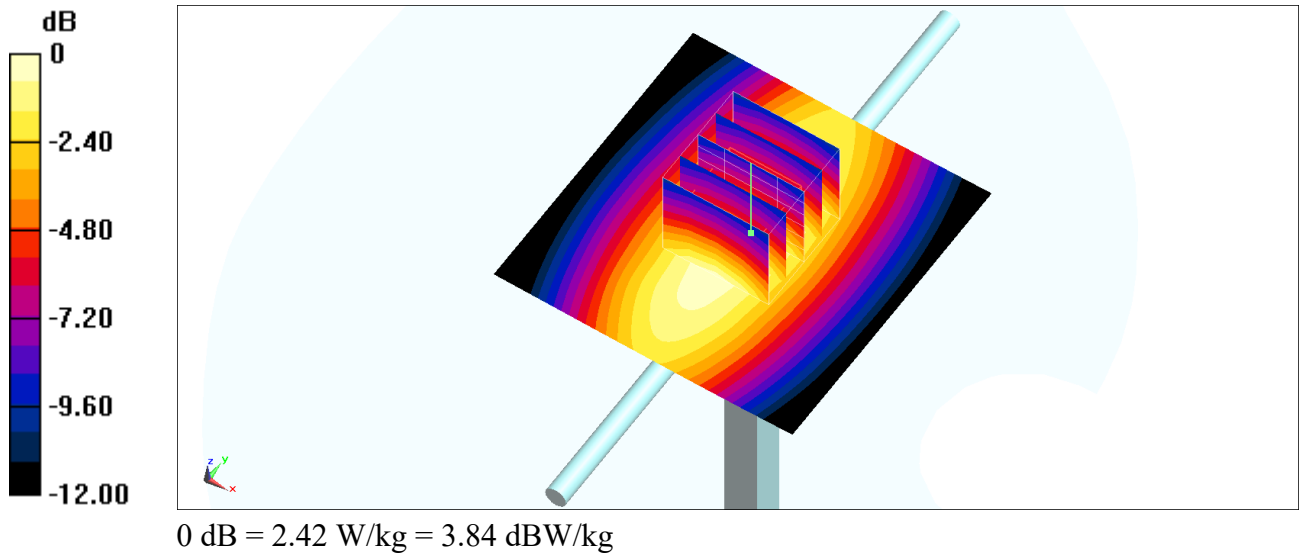
Ambient Temperature : 23.6 °C ; Liquid Temperature : 22.6 °C

DASY5 Configuration:

- Probe: ES3DV3 - SN3184; ConvF(6.59, 6.59, 6.59) @ 750 MHz; Calibrated: 2021/9/23
- Sensor-Surface: 3mm (Mechanical Surface Detection)
- Electronics: DAE4 Sn1424; Calibrated: 2021/1/19
- Phantom: SAM_Left; Type: SAM; Serial: 1796
- Measurement SW: DASY52, Version 52.10 (4); SEMCAD X Version 14.6.14 (7501)

Pin=250mW/Area Scan (61x61x1): Interpolated grid: dx=1.500 mm, dy=1.500 mm
Maximum value of SAR (interpolated) = 2.43 W/kg

Pin=250mW/Zoom Scan (5x5x7)/Cube 0: Measurement grid: dx=8mm, dy=8mm, dz=5mm
Reference Value = 54.65 V/m; Power Drift = -0.18 dB
Peak SAR (extrapolated) = 2.98 W/kg
SAR(1 g) = 2.07 W/kg; SAR(10 g) = 1.38 W/kg
Maximum value of SAR (measured) = 2.42 W/kg



System Check_Head_835MHz

DUT: D835V2-499

Communication System: CW; Frequency: 835 MHz; Duty Cycle: 1:1

Medium: HSL_850_211128 Medium parameters used: $f = 835$ MHz; $\sigma = 0.921$ S/m; $\epsilon_r = 41.099$; $\rho = 1000$ kg/m³

Ambient Temperature : 23.6 °C ; Liquid Temperature : 22.6 °C

DASY5 Configuration:

- Probe: EX3DV4 - SN3728; ConvF(9.48, 9.48, 9.48) @ 835 MHz; Calibrated: 2021/2/23
- Sensor-Surface: 1.4mm (Mechanical Surface Detection)
- Electronics: DAE4 Sn1424; Calibrated: 2021/1/19
- Phantom: SAM_Left; Type: SAM; Serial: 1796
- Measurement SW: DASY52, Version 52.10 (4); SEMCAD X Version 14.6.14 (7501)

Pin=50mW/Area Scan (61x61x1): Interpolated grid: dx=1.500 mm, dy=1.500 mm

Maximum value of SAR (interpolated) = 0.613 W/kg

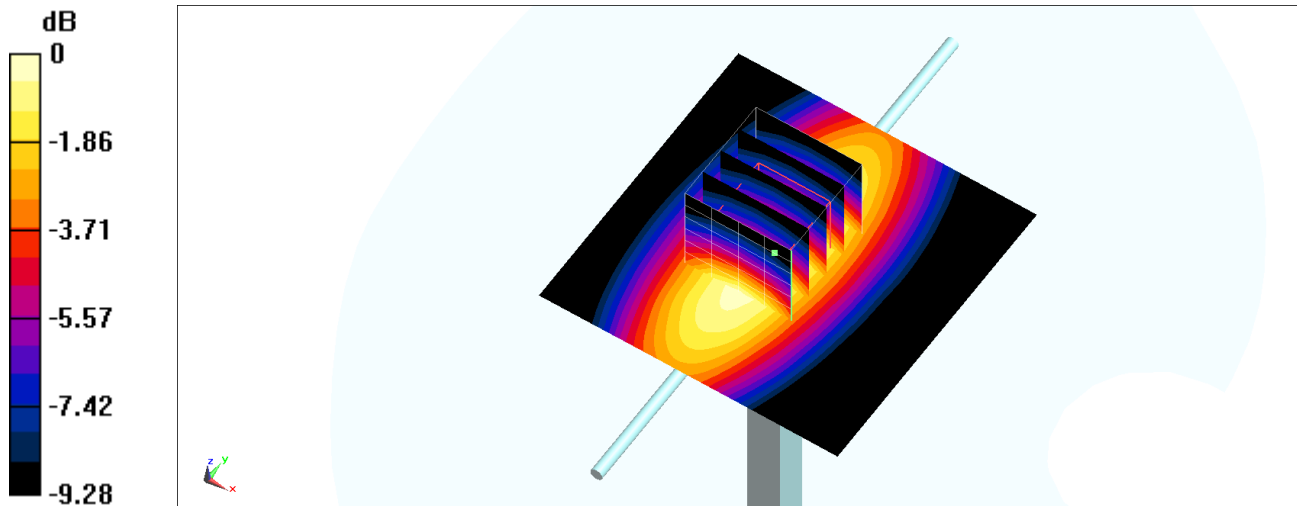
Pin=50mW/Zoom Scan (5x5x7)/Cube 0: Measurement grid: dx=8mm, dy=8mm, dz=5mm

Reference Value = 26.79 V/m; Power Drift = -0.02 dB

Peak SAR (extrapolated) = 0.696 W/kg

SAR(1 g) = 0.461 W/kg; SAR(10 g) = 0.299 W/kg

Maximum value of SAR (measured) = 0.615 W/kg



System Check_Head_835MHz

DUT: D835V2 -499

Communication System: CW; Frequency: 835 MHz; Duty Cycle: 1:1

Medium: HSL_850_211203 Medium parameters used: $f = 835$ MHz; $\sigma = 0.883$ S/m; $\epsilon_r = 41.203$; $\rho = 1000$ kg/m³

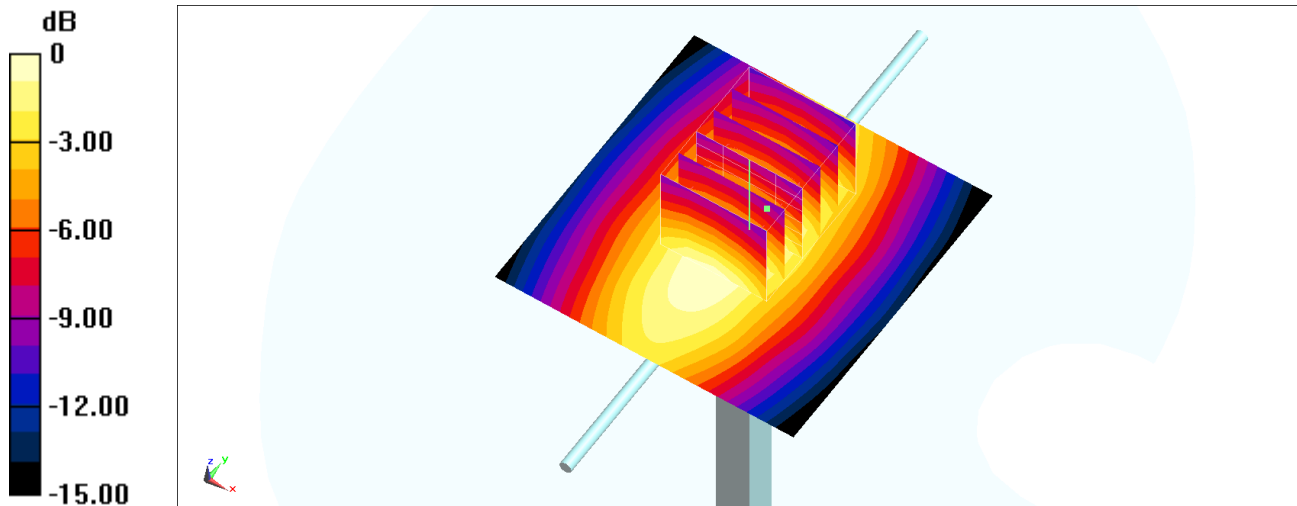
Ambient Temperature : 23.1 °C ; Liquid Temperature : 22.1 °C

DASY5 Configuration:

- Probe: ES3DV3 - SN3184; ConvF(6.49, 6.49, 6.49) @ 835 MHz; Calibrated: 2021/9/23
- Sensor-Surface: 3mm (Mechanical Surface Detection)
- Electronics: DAE4 Sn1424; Calibrated: 2021/1/19
- Phantom: SAM_Left; Type: SAM; Serial: 1796
- Measurement SW: DASY52, Version 52.10 (4); SEMCAD X Version 14.6.14 (7501)

Pin=250mW/Area Scan (61x61x1): Interpolated grid: dx=1.500 mm, dy=1.500 mm
Maximum value of SAR (interpolated) = 2.60 W/kg

Pin=250mW/Zoom Scan (5x6x7)/Cube 0: Measurement grid: dx=8mm, dy=8mm, dz=5mm
Reference Value = 55.30 V/m; Power Drift = -0.02 dB
Peak SAR (extrapolated) = 2.89 W/kg
SAR(1 g) = 2.21 W/kg; SAR(10 g) = 1.49 W/kg
Maximum value of SAR (measured) = 2.53 W/kg



0 dB = 2.53 W/kg = 4.03 dBW/kg

System Check_Head_835MHz

DUT: D835V2-499

Communication System: CW; Frequency: 835 MHz; Duty Cycle: 1:1

Medium: HSL_850_211204 Medium parameters used: $f = 835 \text{ MHz}$; $\sigma = 0.885 \text{ S/m}$; $\epsilon_r = 42.574$; $\rho = 1000 \text{ kg/m}^3$

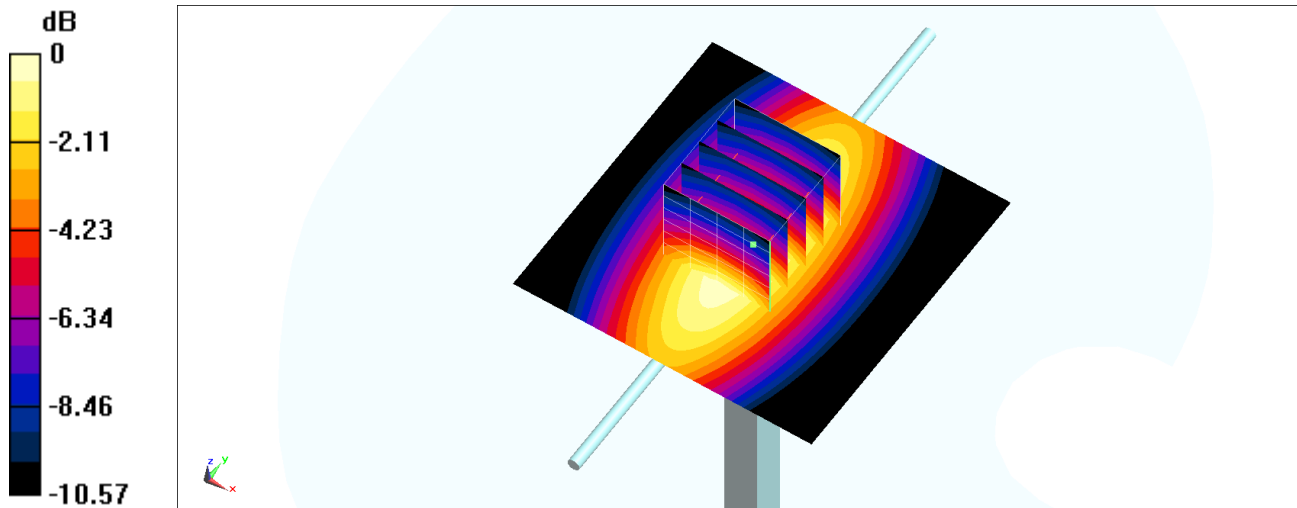
Ambient Temperature : $23.3 \text{ }^\circ\text{C}$; Liquid Temperature : $22.3 \text{ }^\circ\text{C}$

DASY5 Configuration:

- Probe: EX3DV4 - SN3728; ConvF(9.48, 9.48, 9.48) @ 835 MHz; Calibrated: 2021/2/23
- Sensor-Surface: 1.4mm (Mechanical Surface Detection)
- Electronics: DAE4 Sn1424; Calibrated: 2021/1/19
- Phantom: SAM_Left; Type: SAM; Serial: 1796
- Measurement SW: DASY52, Version 52.10 (4); SEMCAD X Version 14.6.14 (7501)

Pin=250mW/Area Scan (61x61x1): Interpolated grid: $dx=1.500 \text{ mm}$, $dy=1.500 \text{ mm}$
 Maximum value of SAR (interpolated) = 3.12 W/kg

Pin=250mW/Zoom Scan (5x5x7)/Cube 0: Measurement grid: $dx=8\text{mm}$, $dy=8\text{mm}$, $dz=5\text{mm}$
 Reference Value = 61.94 V/m ; Power Drift = -0.12 dB
 Peak SAR (extrapolated) = 3.45 W/kg
SAR(1 g) = 2.36 W/kg ; SAR(10 g) = 1.56 W/kg
 Maximum value of SAR (measured) = 3.10 W/kg



0 dB = 3.10 W/kg = 4.91 dBW/kg

System Check_Head_835MHz

DUT: D835V2 - 499

Communication System: CW; Frequency: 835 MHz; Duty Cycle: 1:1

Medium: HSL_850_211204 Medium parameters used: $f = 835$ MHz; $\sigma = 0.885$ S/m; $\epsilon_r = 42.574$; $\rho = 1000$ kg/m³

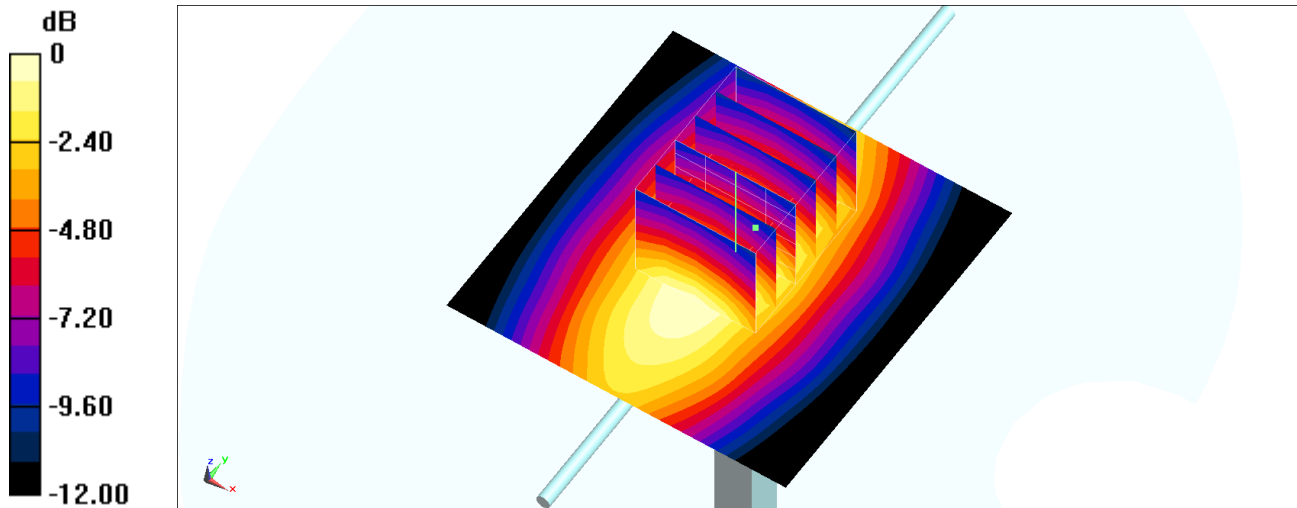
Ambient Temperature : 23.3 °C ; Liquid Temperature : 22.3 °C

DASY5 Configuration:

- Probe: ES3DV3 - SN3184; ConvF(6.49, 6.49, 6.49) @ 835 MHz; Calibrated: 2021/9/23
- Sensor-Surface: 3mm (Mechanical Surface Detection)
- Electronics: DAE4 Sn1424; Calibrated: 2021/1/19
- Phantom: SAM_Left; Type: SAM; Serial: 1796
- Measurement SW: DASY52, Version 52.10 (4); SEMCAD X Version 14.6.14 (7501)

Pin=250mW/Area Scan (61x61x1): Interpolated grid: dx=1.500 mm, dy=1.500 mm
Maximum value of SAR (interpolated) = 2.61 W/kg

Pin=250mW/Zoom Scan (5x6x7)/Cube 0: Measurement grid: dx=8mm, dy=8mm, dz=5mm
Reference Value = 55.30 V/m; Power Drift = -0.02 dB
Peak SAR (extrapolated) = 2.90 W/kg
SAR(1 g) = 2.21 W/kg; SAR(10 g) = 1.49 W/kg
Maximum value of SAR (measured) = 2.53 W/kg



0 dB = 2.53 W/kg = 4.03 dBW/kg

System Check_Head_2450MHz

DUT: D2450V2-929

Communication System: CW; Frequency: 2450 MHz; Duty Cycle: 1:1

Medium: HSL_2450_211220 Medium parameters used : $f = 2450$ MHz; $\sigma = 1.802$ S/m; $\epsilon_r = 39.247$; $\rho = 1000$ kg/m³

Ambient Temperature : 23.5 °C; Liquid Temperature : 22.5 °C

DASY5 Configuration:

- Probe: ES3DV3 - SN3270; ConvF(4.62, 4.62, 4.62) @ 2450 MHz; Calibrated: 2021/9/21
- Sensor-Surface: 3mm (Mechanical Surface Detection)
- Electronics: DAE4 Sn316; Calibrated: 2021/1/19
- Phantom: SAM_Left; Type: QD000P40CD; Serial: TP:1684
- Measurement SW: DASY52, Version 52.10 (4); SEMCAD X Version 14.6.14 (7483)

Pin=250mW/Area Scan (61x61x1): Interpolated grid: dx=1.200 mm, dy=1.200 mm

Maximum value of SAR (interpolated) = 18.2 W/kg

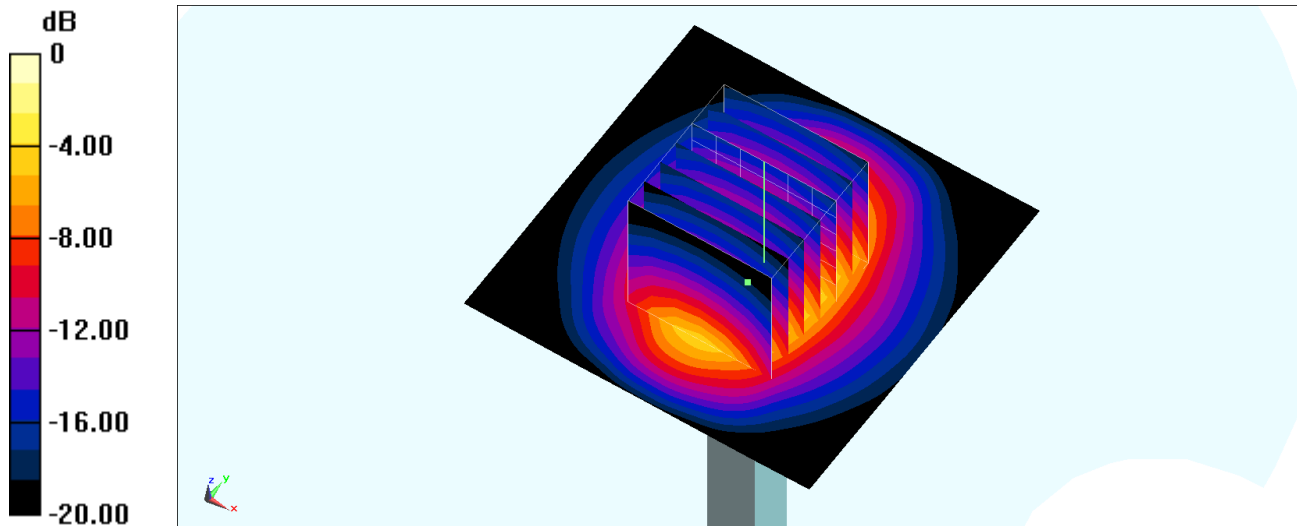
Pin=250mW/Zoom Scan (7x7x7)/Cube 0: Measurement grid: dx=5mm, dy=5mm, dz=5mm

Reference Value = 101.1 V/m; Power Drift = -0.07 dB

Peak SAR (extrapolated) = 26.1 W/kg

SAR(1 g) = 13.6 W/kg; SAR(10 g) = 6.52 W/kg

Maximum value of SAR (measured) = 17.6 W/kg



0 dB = 17.6 W/kg = 12.46 dBW/kg

System Check_Head_2450MHz

DUT: D2450V2-929

Communication System: CW; Frequency: 2450 MHz; Duty Cycle: 1:1

Medium: HSL_2450_211221 Medium parameters used : $f = 2450$ MHz; $\sigma = 1.777$ S/m; $\epsilon_r = 39.819$; $\rho = 1000$ kg/m³

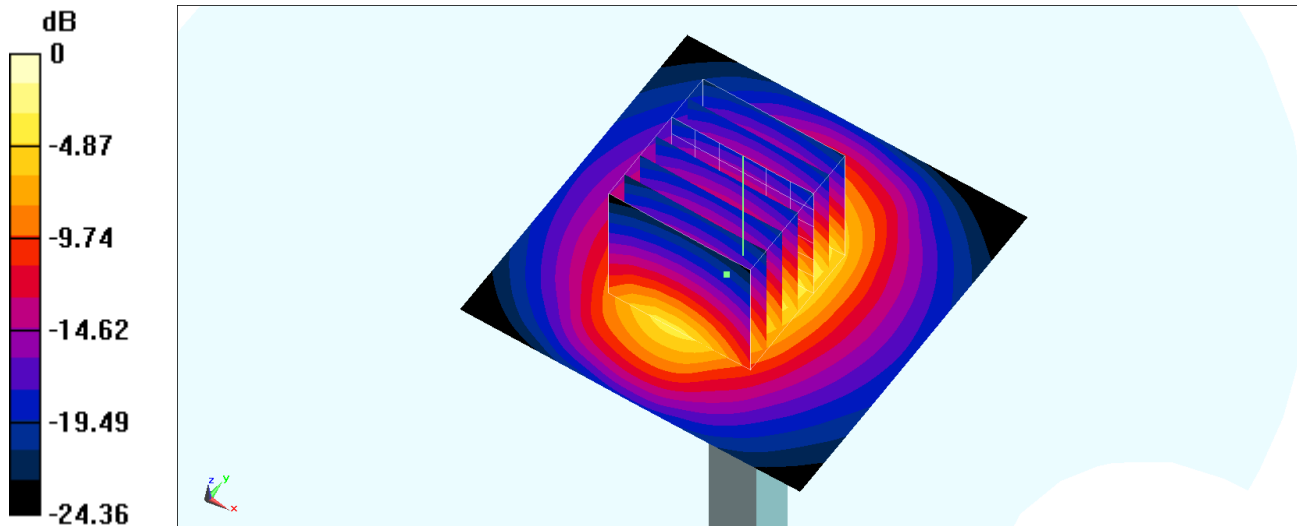
Ambient Temperature : 23.3 °C; Liquid Temperature : 22.3 °C

DASY5 Configuration:

- Probe: ES3DV3 - SN3270; ConvF(4.62, 4.62, 4.62) @ 2450 MHz; Calibrated: 2021/9/21
- Sensor-Surface: 3mm (Mechanical Surface Detection)
- Electronics: DAE4 Sn316; Calibrated: 2021/1/19
- Phantom: SAM_Left; Type: QD000P40CD; Serial: TP:1684
- Measurement SW: DASY52, Version 52.10 (4); SEMCAD X Version 14.6.14 (7483)

Pin=250mW/Area Scan (61x61x1): Interpolated grid: dx=1.200 mm, dy=1.200 mm
Maximum value of SAR (interpolated) = 18.8 W/kg

Pin=250mW/Zoom Scan (7x7x7)/Cube 0: Measurement grid: dx=5mm, dy=5mm, dz=5mm
Reference Value = 105.9 V/m; Power Drift = -0.11 dB
Peak SAR (extrapolated) = 28.4 W/kg
SAR(1 g) = 13.6 W/kg; SAR(10 g) = 6.28 W/kg
Maximum value of SAR (measured) = 17.7 W/kg



0 dB = 18.8 W/kg = 12.74 dBW/kg

System Check_Head_2450MHz

DUT: D2450V2-736

Communication System: CW; Frequency: 2450 MHz; Duty Cycle: 1:1

Medium: HSL_2450_220102 Medium parameters used: $f = 2450$ MHz; $\sigma = 1.782$ S/m; $\epsilon_r = 40.073$; $\rho = 1000$ kg/m³

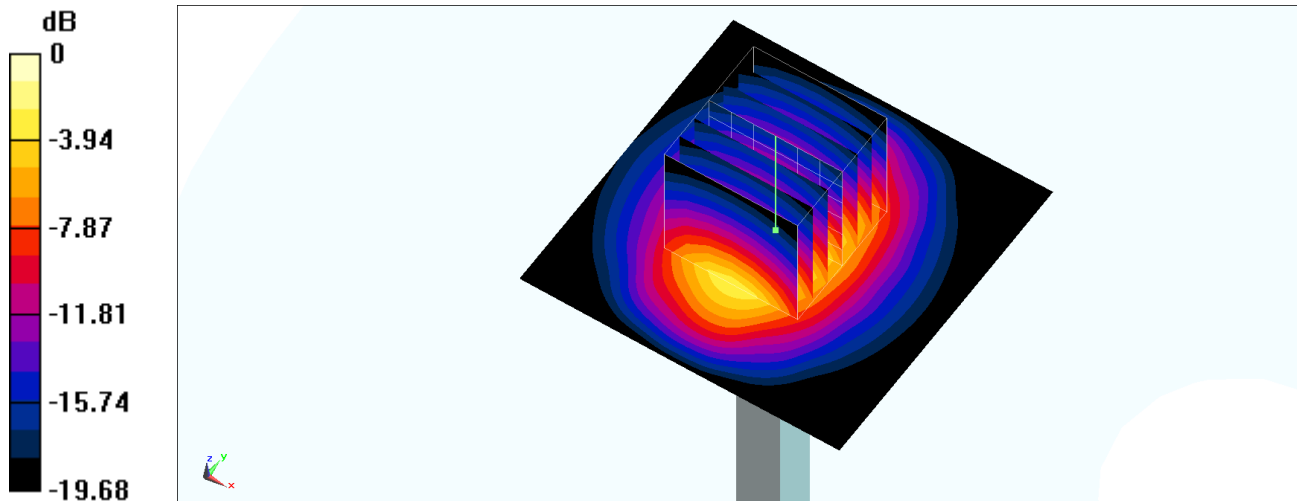
Ambient Temperature : 23.5 °C; Liquid Temperature : 22.5 °C

DASY5 Configuration:

- Probe: ES3DV3 - SN3270; ConvF(4.62, 4.62, 4.62) @ 2450 MHz; Calibrated: 2021/9/21
- Sensor-Surface: 3mm (Mechanical Surface Detection)
- Electronics: DAE4 Sn316; Calibrated: 2021/1/19
- Phantom: SAM_Left; Type: QD000P40CD; Serial: TP:1684
- Measurement SW: DASY52, Version 52.10 (4); SEMCAD X Version 14.6.14 (7483)

Pin=250mW/Area Scan (61x61x1): Interpolated grid: dx=1.200 mm, dy=1.200 mm
Maximum value of SAR (interpolated) = 19.2 W/kg

Pin=250mW/Zoom Scan (7x7x7)/Cube 0: Measurement grid: dx=5mm, dy=5mm, dz=5mm
Reference Value = 105.5 V/m; Power Drift = 0.06 dB
Peak SAR (extrapolated) = 28.4 W/kg
SAR(1 g) = 14.4 W/kg; SAR(10 g) = 6.81 W/kg
Maximum value of SAR (measured) = 19.0 W/kg



0 dB = 19.2 W/kg = 12.83 dBW/kg

System Check_Head_2450MHz

DUT: D2450V2-929

Communication System: CW; Frequency: 2450 MHz; Duty Cycle: 1:1

Medium: HSL_2450_220104 Medium parameters used: $f = 2450$ MHz; $\sigma = 1.79$ S/m; $\epsilon_r = 39.627$; $\rho = 1000$ kg/m³

Ambient Temperature : 23.5 °C; Liquid Temperature : 22.5 °C

DASY5 Configuration:

- Probe: EX3DV4 - SN7625; ConvF(7.79, 7.79, 7.79) @ 2450 MHz; Calibrated: 2021/1/19
- Sensor-Surface: 1.4mm (Mechanical Surface Detection)
- Electronics: DAE4 Sn1512; Calibrated: 2021/2/11
- Phantom: SAM-Middle; Type: SAM; Serial: TP-1503
- Measurement SW: DASY52, Version 52.10 (4); SEMCAD X Version 14.6.14 (7483)

Pin=50mW/Area Scan (81x81x1): Interpolated grid: dx=1.200 mm, dy=1.200 mm

Maximum value of SAR (interpolated) = 4.13 W/kg

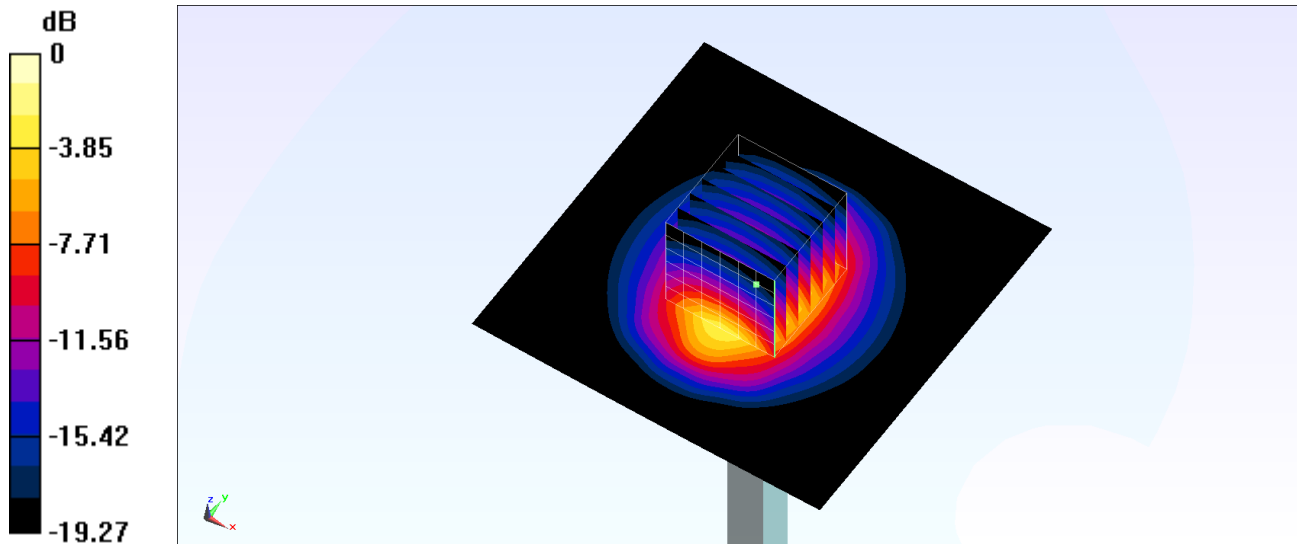
Pin=50mW/Zoom Scan (7x7x7)/Cube 0: Measurement grid: dx=5mm, dy=5mm, dz=5mm

Reference Value = 49.46 V/m; Power Drift = -0.14 dB

Peak SAR (extrapolated) = 5.07 W/kg

SAR(1 g) = 2.45 W/kg; SAR(10 g) = 1.15 W/kg

Maximum value of SAR (measured) = 4.11 W/kg



0 dB = 4.13 W/kg = 6.16 dBW/kg

System Check_Head_2450MHz

DUT: D2450V2-736

Communication System: CW; Frequency: 2450 MHz; Duty Cycle: 1:1

Medium: HSL_2450_220105 Medium parameters used : $f = 2450$ MHz; $\sigma = 1.768$ S/m; $\epsilon_r = 39.957$; $\rho = 1000$ kg/m³

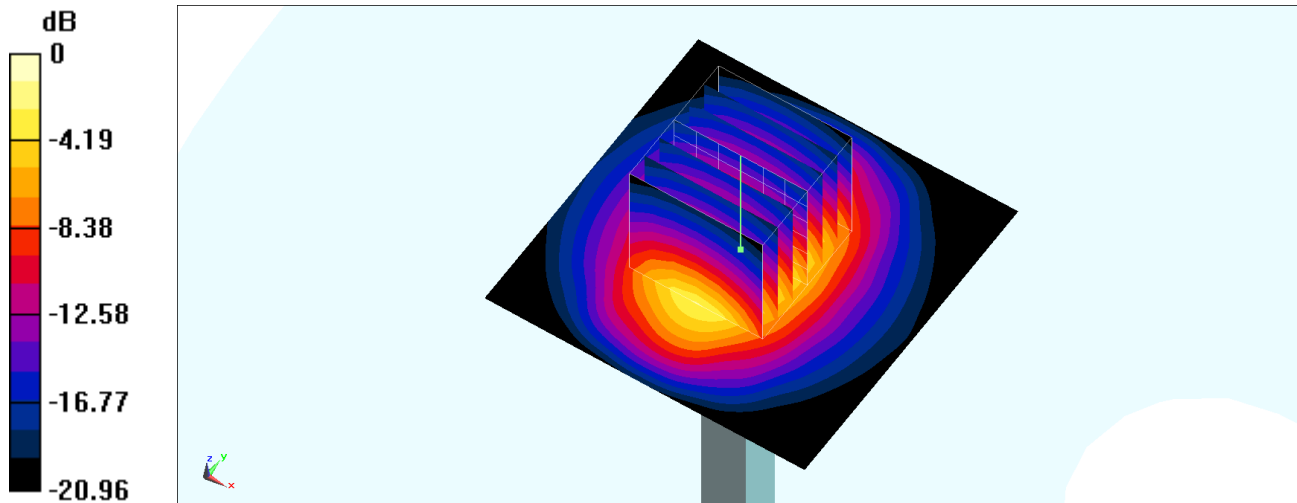
Ambient Temperature : 23.6 °C ; Liquid Temperature : 22.6 °C

DASY5 Configuration:

- Probe: ES3DV3 - SN3270; ConvF(4.62, 4.62, 4.62) @ 2450 MHz; Calibrated: 2021/9/21
- Sensor-Surface: 3mm (Mechanical Surface Detection)
- Electronics: DAE4 Sn316; Calibrated: 2021/1/19
- Phantom: SAM_Left; Type: QD000P40CD; Serial: TP:1684
- Measurement SW: DASY52, Version 52.10 (4); SEMCAD X Version 14.6.14 (7483)

Pin=250mW/Area Scan (61x61x1): Interpolated grid: dx=1.200 mm, dy=1.200 mm
Maximum value of SAR (interpolated) = 19.1 W/kg

Pin=250mW/Zoom Scan (7x7x7)/Cube 0: Measurement grid: dx=5mm, dy=5mm, dz=5mm
Reference Value = 105.5 V/m; Power Drift = 0.03 dB
Peak SAR (extrapolated) = 28.2 W/kg
SAR(1 g) = 14.3 W/kg; SAR(10 g) = 6.76 W/kg
Maximum value of SAR (measured) = 18.8 W/kg



0 dB = 18.8 W/kg = 12.74 dBW/kg

System Check_Head_2450MHz

DUT: D2450V2-736

Communication System: CW; Frequency: 2450 MHz; Duty Cycle: 1:1

Medium: HSL_2450_220105 Medium parameters used : $f = 2450$ MHz; $\sigma = 1.784$ S/m; $\epsilon_r = 39.587$; $\rho = 1000$ kg/m³

Ambient Temperature : 23.8 °C; Liquid Temperature : 22.8 °C

DASY5 Configuration:

- Probe: EX3DV4 - SN7346; ConvF(7.6, 7.6, 7.6) @ 2450 MHz; Calibrated: 2021/6/25
- Sensor-Surface: 1.4mm (Mechanical Surface Detection)
- Electronics: DAE4 Sn1512; Calibrated: 2021/2/11
- Phantom: SAM-Middle; Type: SAM; Serial: TP-1503
- Measurement SW: DASY52, Version 52.10 (4); SEMCAD X Version 14.6.14 (7483)

Pin=50mW/Area Scan (71x71x1): Interpolated grid: dx=1.200 mm, dy=1.200 mm

Maximum value of SAR (interpolated) = 3.94 W/kg

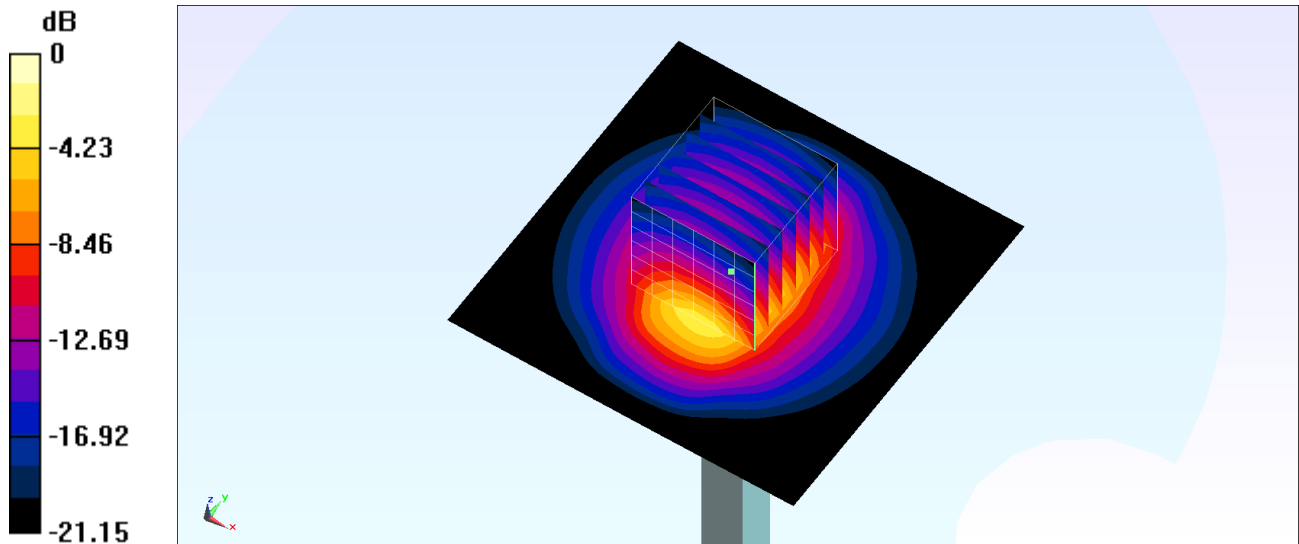
Pin=50mW/Zoom Scan (7x7x7)/Cube 0: Measurement grid: dx=5mm, dy=5mm, dz=5mm

Reference Value = 49.88 V/m; Power Drift = 0.13 dB

Peak SAR (extrapolated) = 5.34 W/kg

SAR(1 g) = 2.51 W/kg; SAR(10 g) = 1.17 W/kg

Maximum value of SAR (measured) = 4.42 W/kg



0 dB = 4.42 W/kg = 6.45 dBW/kg

System Check_Head_2450MHz

DUT: D2450V2-736

Communication System: CW; Frequency: 2450 MHz; Duty Cycle: 1:1

Medium: HSL_2450_220106 Medium parameters used : $f = 2450$ MHz; $\sigma = 1.777$ S/m; $\epsilon_r = 39.537$; $\rho = 1000$ kg/m³

Ambient Temperature : 23.7 °C ; Liquid Temperature : 22.7 °C

DASY5 Configuration:

- Probe: EX3DV4 - SN7346; ConvF(7.66, 7.66, 7.66) @ 2450 MHz; Calibrated: 2021/6/25
- Sensor-Surface: 1.4mm (Mechanical Surface Detection)
- Electronics: DAE4 Sn1512; Calibrated: 2021/2/11
- Phantom: SAM-Middle; Type: SAM; Serial: TP-1503
- Measurement SW: DASY52, Version 52.10 (4); SEMCAD X Version 14.6.14 (7483)

Pin=50mW/Area Scan (71x71x1): Interpolated grid: dx=1.200 mm, dy=1.200 mm

Maximum value of SAR (interpolated) = 3.92 W/kg

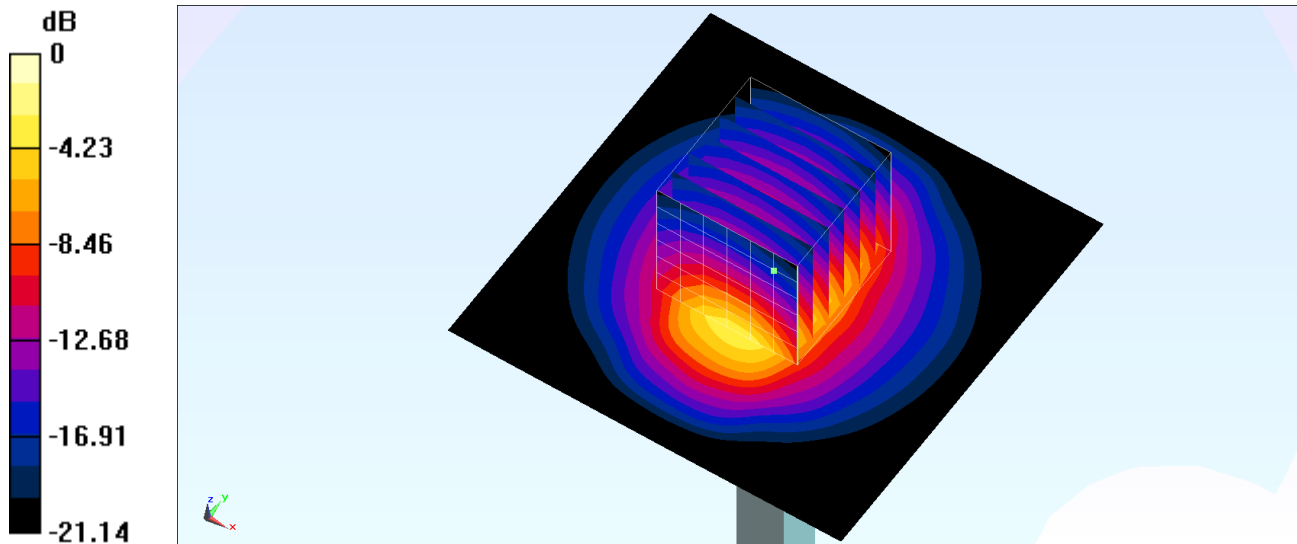
Pin=50mW/Zoom Scan (7x7x7)/Cube 0: Measurement grid: dx=5mm, dy=5mm, dz=5mm

Reference Value = 49.86 V/m; Power Drift = 0.13 dB

Peak SAR (extrapolated) = 5.31 W/kg

SAR(1 g) = 2.5 W/kg; SAR(10 g) = 1.17 W/kg

Maximum value of SAR (measured) = 4.40 W/kg



0 dB = 4.40 W/kg = 6.43 dBW/kg

System Check_Head_2450MHz

DUT: D2450V2-929

Communication System: CW; Frequency: 2450 MHz; Duty Cycle: 1:1

Medium: HSL_2450_220107 Medium parameters used : $f = 2450$ MHz; $\sigma = 1.761$ S/m; $\epsilon_r = 39.907$; $\rho = 1000$ kg/m³

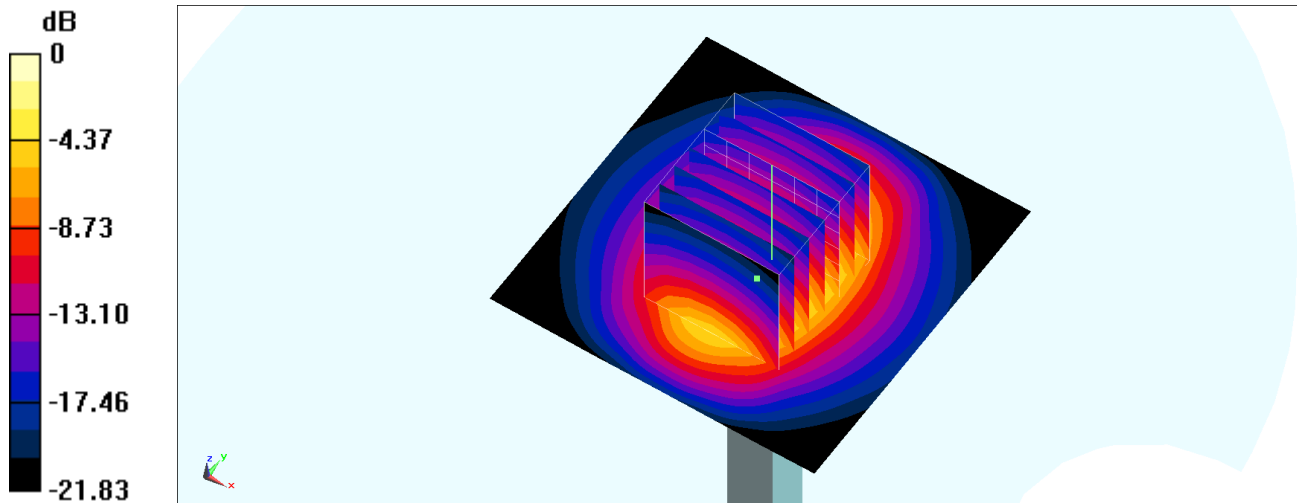
Ambient Temperature : 23.2 °C; Liquid Temperature : 22.2 °C

DASY5 Configuration:

- Probe: ES3DV3 - SN3270; ConvF(4.62, 4.62, 4.62) @ 2450 MHz; Calibrated: 2021/9/21
- Sensor-Surface: 3mm (Mechanical Surface Detection)
- Electronics: DAE4 Sn316; Calibrated: 2021/1/19
- Phantom: SAM_Left; Type: QD000P40CD; Serial: TP:1684
- Measurement SW: DASY52, Version 52.10 (4); SEMCAD X Version 14.6.14 (7483)

Pin=250mW/Area Scan (61x61x1): Interpolated grid: dx=1.200 mm, dy=1.200 mm
Maximum value of SAR (interpolated) = 17.8 W/kg

Pin=250mW/Zoom Scan (7x7x7)/Cube 0: Measurement grid: dx=5mm, dy=5mm, dz=5mm
Reference Value = 101.1 V/m; Power Drift = -0.07 dB
Peak SAR (extrapolated) = 25.5 W/kg
SAR(1 g) = 13.3 W/kg; SAR(10 g) = 6.37 W/kg
Maximum value of SAR (measured) = 17.2 W/kg



0 dB = 17.2 W/kg = 12.36 dBW/kg

System Check_Head_2600MHz

DUT: D2600V2-1008

Communication System: CW; Frequency: 2600 MHz; Duty Cycle: 1:1

Medium: HSL_2600_211130 Medium parameters used: $f = 2600$ MHz; $\sigma = 1.988$ S/m; $\epsilon_r = 39.136$; $\rho = 1000$ kg/m³

Ambient Temperature : 23.5 °C ; Liquid Temperature : 22.5 °C

DASY5 Configuration:

- Probe: EX3DV4 - SN3976; ConvF(7.6, 7.6, 7.6) @ 2600 MHz; Calibrated: 2021/1/27
- Sensor-Surface: 1.4mm (Mechanical Surface Detection)
- Electronics: DAE3 Sn577; Calibrated: 2021/9/15
- Phantom: SAM-Middle; Type: SAM; Serial: TP-1503
- Measurement SW: DASY52, Version 52.10 (4); SEMCAD X Version 14.6.14 (7483)

Pin=50mW/Area Scan (71x71x1): Interpolated grid: dx=1.200 mm, dy=1.200 mm

Maximum value of SAR (interpolated) = 4.80 W/kg

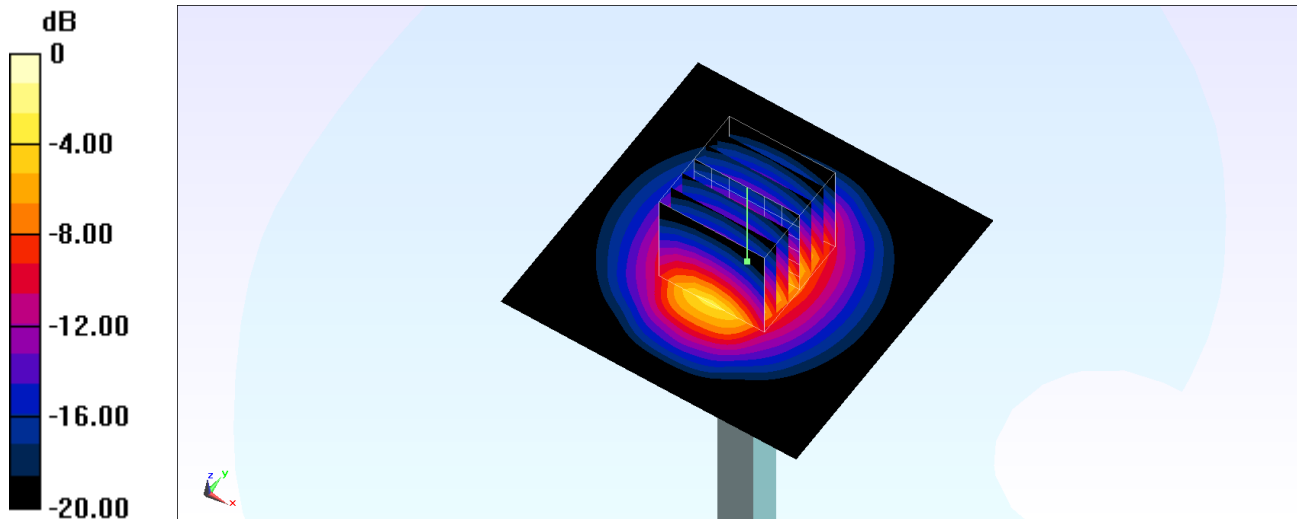
Pin=50mW/Zoom Scan (7x7x7)/Cube 0: Measurement grid: dx=5mm, dy=5mm, dz=5mm

Reference Value = 50.98 V/m; Power Drift = -0.05 dB

Peak SAR (extrapolated) = 5.87 W/kg

SAR(1 g) = 2.82 W/kg; SAR(10 g) = 1.29 W/kg

Maximum value of SAR (measured) = 4.76 W/kg



System Check_Head_2600MHz

DUT: D2600V2-1008

Communication System: CW; Frequency: 2600 MHz; Duty Cycle: 1:1

Medium: HSL_2600_211201 Medium parameters used: $f = 2600$ MHz; $\sigma = 1.99$ S/m; $\epsilon_r = 39.146$; $\rho = 1000$ kg/m³

Ambient Temperature : 23.5 °C ; Liquid Temperature : 22.5 °C

DASY5 Configuration:

- Probe: EX3DV4 - SN3976; ConvF(7.6, 7.6, 7.6) @ 2600 MHz; Calibrated: 2021/1/27
- Sensor-Surface: 1.4mm (Mechanical Surface Detection)
- Electronics: DAE3 Sn577; Calibrated: 2021/9/15
- Phantom: SAM-Middle; Type: SAM; Serial: TP-1503
- Measurement SW: DASY52, Version 52.10 (4); SEMCAD X Version 14.6.14 (7483)

Pin=50mW/Area Scan (71x71x1): Interpolated grid: dx=1.200 mm, dy=1.200 mm

Maximum value of SAR (interpolated) = 4.88 W/kg

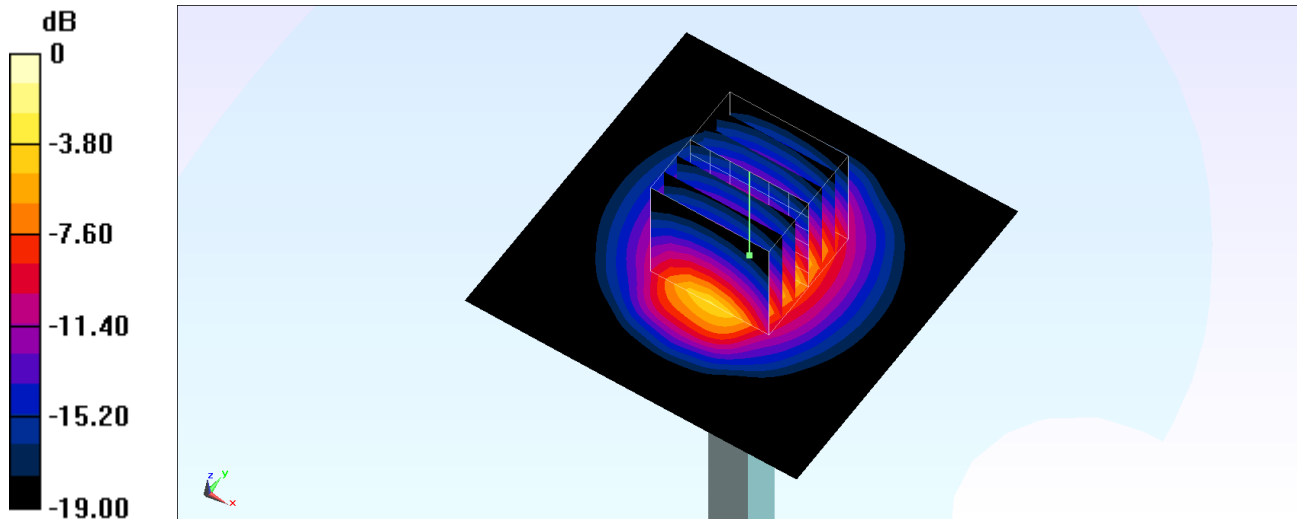
Pin=50mW/Zoom Scan (7x7x7)/Cube 0: Measurement grid: dx=5mm, dy=5mm, dz=5mm

Reference Value = 51.00 V/m; Power Drift = -0.08 dB

Peak SAR (extrapolated) = 5.94 W/kg

SAR(1 g) = 2.94 W/kg; SAR(10 g) = 1.36 W/kg

Maximum value of SAR (measured) = 4.86 W/kg



0 dB = 4.86 W/kg = 6.87 dBW/kg

System Check_Head_2600MHz

DUT: D2600V2-1078

Communication System: CW; Frequency: 2600 MHz; Duty Cycle: 1:1

Medium: HSL_2600_211223 Medium parameters used: $f = 2600$ MHz; $\sigma = 1.929$ S/m; $\epsilon_r = 39.377$; $\rho = 1000$ kg/m³

Ambient Temperature : 23.8 °C; Liquid Temperature : 22.8 °C

DASY5 Configuration:

- Probe: ES3DV3 - SN3270; ConvF(4.51, 4.51, 4.51) @ 2600 MHz; Calibrated: 2021/9/21
- Sensor-Surface: 3mm (Mechanical Surface Detection)
- Electronics: DAE4 Sn316; Calibrated: 2021/1/19
- Phantom: SAM_Left; Type: QD000P40CD; Serial: TP:1684
- Measurement SW: DASY52, Version 52.10 (4); SEMCAD X Version 14.6.14 (7483)

Pin=250mW/Area Scan (81x81x1): Interpolated grid: dx=1.200 mm, dy=1.200 mm

Maximum value of SAR (interpolated) = 24.8 W/kg

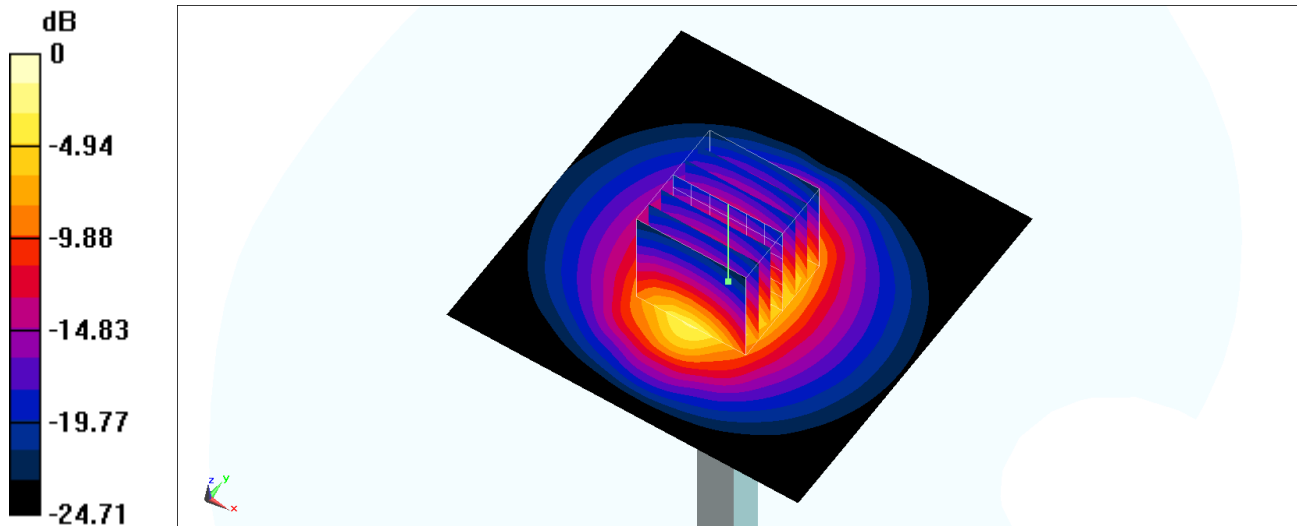
Pin=250mW/Zoom Scan (7x7x7)/Cube 0: Measurement grid: dx=5mm, dy=5mm, dz=5mm

Reference Value = 117.9 V/m; Power Drift = -0.03 dB

Peak SAR (extrapolated) = 32.2 W/kg

SAR(1 g) = 15 W/kg; SAR(10 g) = 6.7 W/kg

Maximum value of SAR (measured) = 23.4 W/kg



0 dB = 23.4 W/kg = 13.69 dBW/kg

System Check_Head_2600MHz

DUT: D2600V2-1078

Communication System: CW; Frequency: 2600 MHz; Duty Cycle: 1:1

Medium: HSL_2600_211224 Medium parameters used: $f = 2600$ MHz; $\sigma = 2.003$ S/m; $\epsilon_r = 38.855$; $\rho = 1000$ kg/m³

Ambient Temperature : 23.5 °C; Liquid Temperature : 22.5 °C

DASY5 Configuration:

- Probe: ES3DV3 - SN3184; ConvF(4.48, 4.48, 4.48) @ 2600 MHz; Calibrated: 2021/9/23
- Sensor-Surface: 3mm (Mechanical Surface Detection)
- Electronics: DAE4 Sn1424; Calibrated: 2021/1/19
- Phantom: SAM_Left; Type: SAM; Serial: 1796
- Measurement SW: DASY52, Version 52.10 (4); SEMCAD X Version 14.6.14 (7501)

Pin=250mW/Area Scan (81x81x1): Interpolated grid: dx=1.200 mm, dy=1.200 mm

Maximum value of SAR (interpolated) = 20.1 W/kg

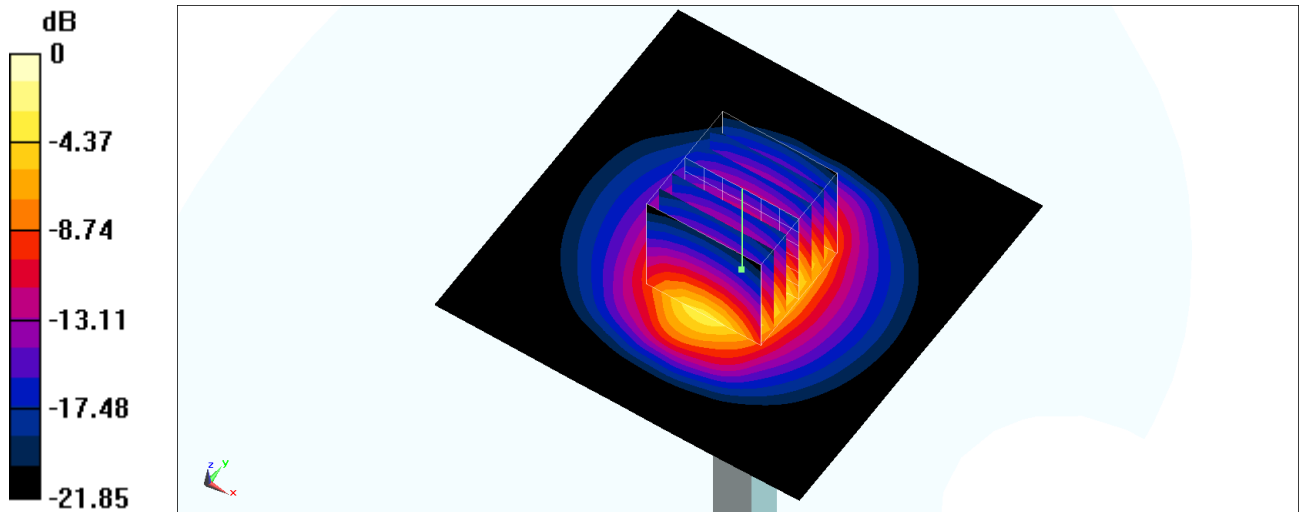
Pin=250mW/Zoom Scan 2 (7x7x7)/Cube 0: Measurement grid: dx=5mm, dy=5mm, dz=5mm

Reference Value = 100.4 V/m; Power Drift = -0.14 dB

Peak SAR (extrapolated) = 29.6 W/kg

SAR(1 g) = 14.8 W/kg; SAR(10 g) = 6.83 W/kg

Maximum value of SAR (measured) = 19.4 W/kg



0 dB = 19.4 W/kg = 12.88 dBW/kg

System Check_Head_5250MHz

DUT: D5GHzV2-1006

Communication System: CW; Frequency: 5250 MHz; Duty Cycle: 1:1

Medium: HSL_5G_211220 Medium parameters used: $f = 5250$ MHz; $\sigma = 4.594$ S/m; $\epsilon_r = 35.871$; $\rho = 1000$ kg/m³

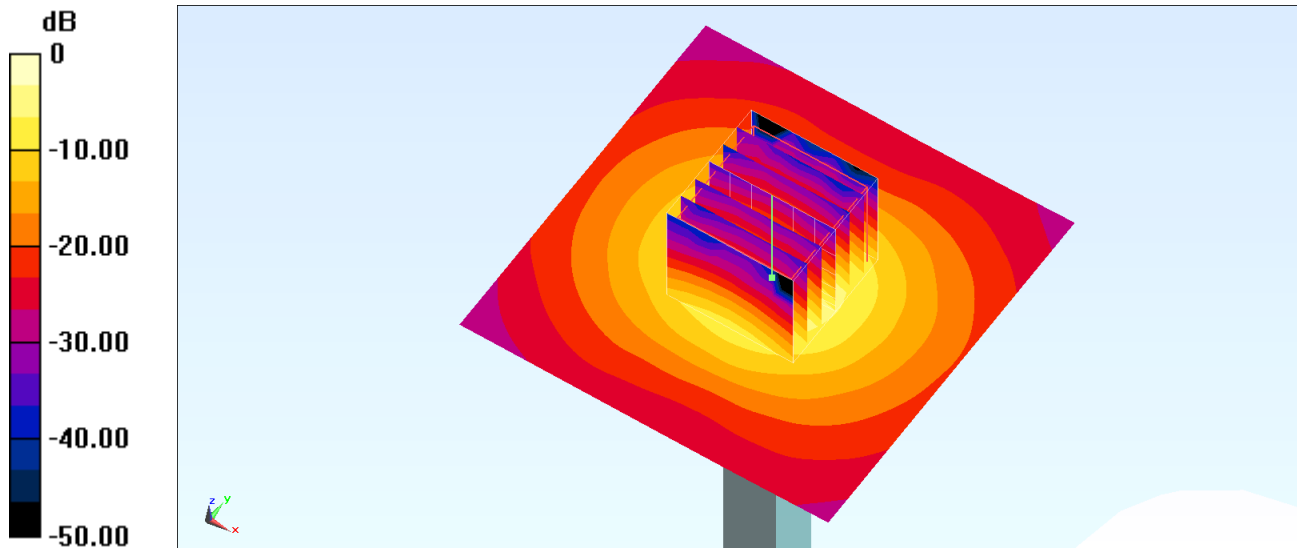
Ambient Temperature : 23.4 °C ; Liquid Temperature : 22.4 °C

DASY5 Configuration:

- Probe: EX3DV4 - SN3642; ConvF(4.42, 4.42, 4.42) @ 5250 MHz; Calibrated: 2021/4/26
- Sensor-Surface: 1.4mm (Mechanical Surface Detection)
- Electronics: DAE4 Sn656; Calibrated: 2021/1/22
- Phantom: SAM_Right; Type: QD000P40CD; Serial: TP:1681
- Measurement SW: DASY52, Version 52.10 (4); SEMCAD X Version 14.6.14 (7501)

Pin=100mW/Area Scan (71x71x1): Interpolated grid: dx=1.000 mm, dy=1.000 mm
Maximum value of SAR (interpolated) = 23.7 W/kg

Pin=100mW/Zoom Scan (7x7x7)/Cube 0: Measurement grid: dx=4mm, dy=4mm, dz=1.4mm
Reference Value = 82.48 V/m; Power Drift = -0.07 dB
Peak SAR (extrapolated) = 34.7 W/kg
SAR(1 g) = 8.47 W/kg; SAR(10 g) = 2.4 W/kg
Maximum value of SAR (measured) = 21.6 W/kg



System Check_Head_5250MHz

DUT: D5GHzV2-1006

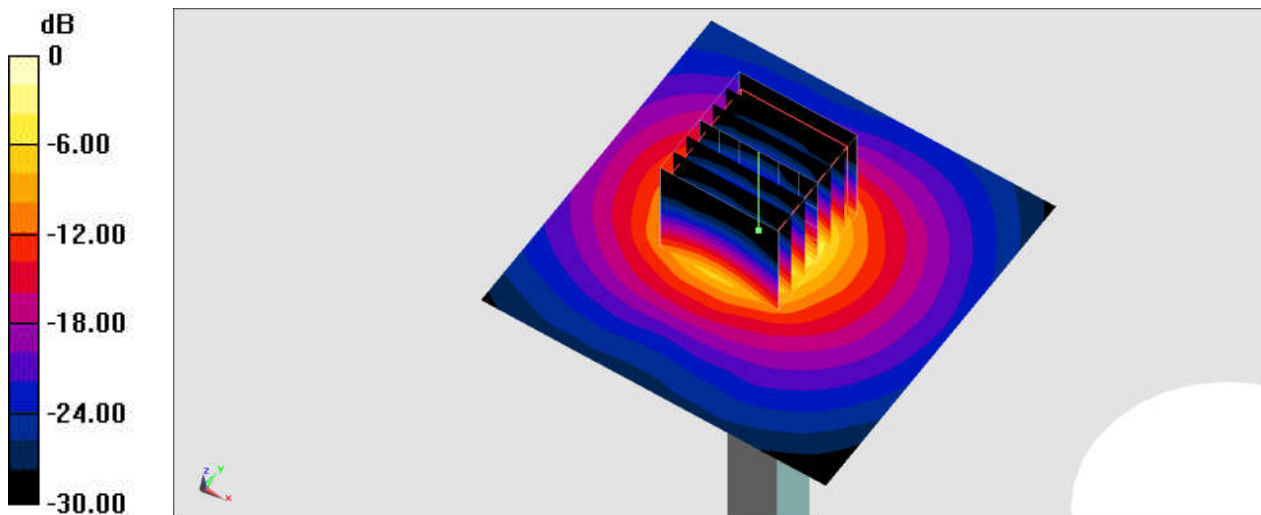
Communication System: CW; Frequency: 5250 MHz; Duty Cycle: 1:1
Medium: HSL_5G_211230 Medium parameters used: $f = 5250$ MHz; $\sigma = 4.706$ S/m; $\epsilon_r = 36.778$; $\rho = 1000$ kg/m³
Ambient Temperature : 23.6 °C; Liquid Temperature : 22.6 °C

DASY5 Configuration:

- Probe: EX3DV4 - SN3931; ConvF(5.1, 5.1, 5.1) @ 5250 MHz; Calibrated: 2021/10/21
- Sensor-Surface: 1.4mm (Mechanical Surface Detection)
- Electronics: DAE4 Sn1399; Calibrated: 2021/2/16
- Phantom: P1aP2a_Twin-SAM_V4.0_(30deg)_Right; Type: QD 000 P40 CC; Serial: 1303
- Measurement SW: DASY52, Version 52.10 (4); SEMCAD X Version 14.6.14 (7501)

Pin=100mW/Area Scan (71x71x1): Interpolated grid: dx=1.000 mm, dy=1.000 mm
Maximum value of SAR (interpolated) = 21.2 W/kg

Pin=100mW/Zoom Scan (7x7x7)/Cube 0: Measurement grid: dx=4mm, dy=4mm, dz=1.4mm
Reference Value = 63.74 V/m; Power Drift = 0.11 dB
Peak SAR (extrapolated) = 35.0 W/kg
SAR(1 g) = 8.43 W/kg; SAR(10 g) = 2.39 W/kg
Maximum value of SAR (measured) = 21.7 W/kg



0 dB = 21.7 W/kg = 13.36 dBW/kg

System Check_Head_5250MHz

DUT: D5GHzV2-1006

Communication System: CW; Frequency: 5250 MHz; Duty Cycle: 1:1

Medium: HSL_5G_220101 Medium parameters used : $f = 5250$ MHz; $\sigma = 4.748$ S/m; $\epsilon_r = 36.596$; $\rho = 1000$ kg/m³

Ambient Temperature : 23.1 °C; Liquid Temperature : 22.1 °C

DASY5 Configuration:

- Probe: EX3DV4 - SN3931; ConvF(5.1, 5.1, 5.1) @ 5250 MHz; Calibrated: 2021/10/21
- Sensor-Surface: 1.4mm (Mechanical Surface Detection)
- Electronics: DAE4 Sn1399; Calibrated: 2021/2/16
- Phantom: P1aP2a_Twin-SAM_V4.0_(30deg)_Right; Type: QD 000 P40 CC; Serial: 1303
- Measurement SW: DASY52, Version 52.10 (4); SEMCAD X Version 14.6.14 (7501)

Pin=100mW/Area Scan (71x71x1): Interpolated grid: dx=1.000 mm, dy=1.000 mm

Maximum value of SAR (interpolated) = 21.3 W/kg

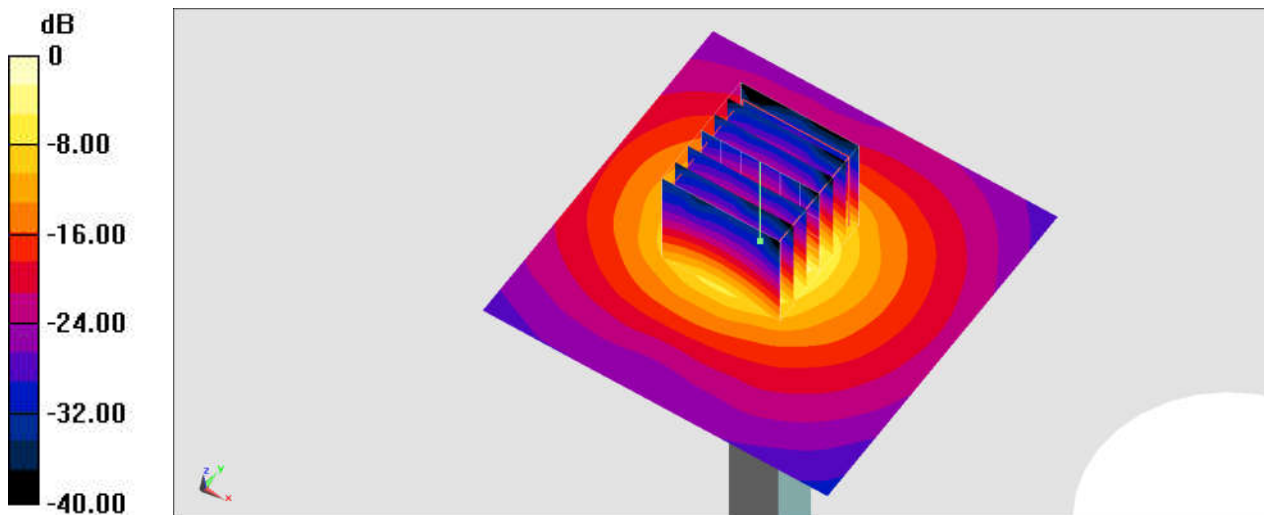
Pin=100mW/Zoom Scan (7x7x7)/Cube 0: Measurement grid: dx=4mm, dy=4mm, dz=1.4mm

Reference Value = 63.74 V/m; Power Drift = 0.01 dB

Peak SAR (extrapolated) = 35.3 W/kg

SAR(1 g) = 8.5 W/kg; SAR(10 g) = 2.41 W/kg

Maximum value of SAR (measured) = 21.9 W/kg



0 dB = 21.9 W/kg = 13.40 dBW/kg

System Check_Head_5250MHz

DUT: D5GHzV2-1006

Communication System: CW; Frequency: 5250 MHz; Duty Cycle: 1:1

Medium: HSL_5G_220104 Medium parameters used: $f = 5250$ MHz; $\sigma = 4.753$ S/m; $\epsilon_r = 36.613$; $\rho = 1000$ kg/m³

Ambient Temperature : 23.4 °C; Liquid Temperature : 22.4 °C

DASY5 Configuration:

- Probe: EX3DV4 - SN3931; ConvF(5.1, 5.1, 5.1) @ 5250 MHz; Calibrated: 2021/10/21
- Sensor-Surface: 1.4mm (Mechanical Surface Detection)
- Electronics: DAE4 Sn1399; Calibrated: 2021/2/16
- Phantom: P1aP2a_Twin-SAM_V4.0_(30deg)_Right; Type: QD 000 P40 CC; Serial: 1303
- Measurement SW: DASY52, Version 52.10 (4); SEMCAD X Version 14.6.14 (7501)

Pin=100mW/Area Scan (71x71x1): Interpolated grid: dx=1.000 mm, dy=1.000 mm

Maximum value of SAR (interpolated) = 21.4 W/kg

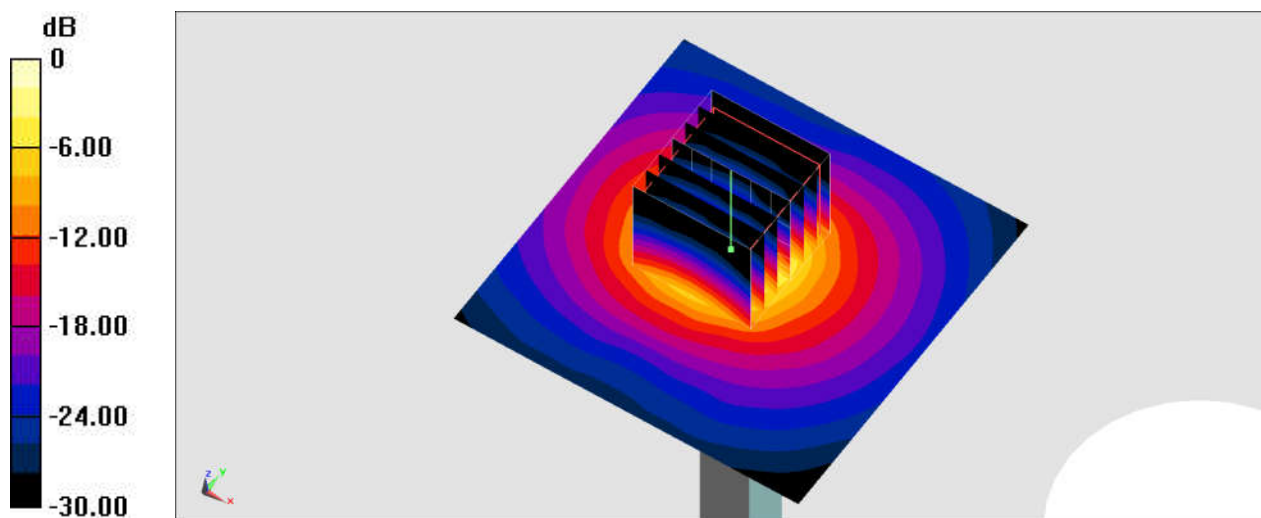
Pin=100mW/Zoom Scan (7x7x7)/Cube 0: Measurement grid: dx=4mm, dy=4mm, dz=1.4mm

Reference Value = 63.74 V/m; Power Drift = 0.05 dB

Peak SAR (extrapolated) = 35.3 W/kg

SAR(1 g) = 8.51 W/kg; SAR(10 g) = 2.42 W/kg

Maximum value of SAR (measured) = 22.0 W/kg



0 dB = 22.0 W/kg = 13.42 dBW/kg

System Check_Head_5250MHz

DUT: D5GHzV2-1006

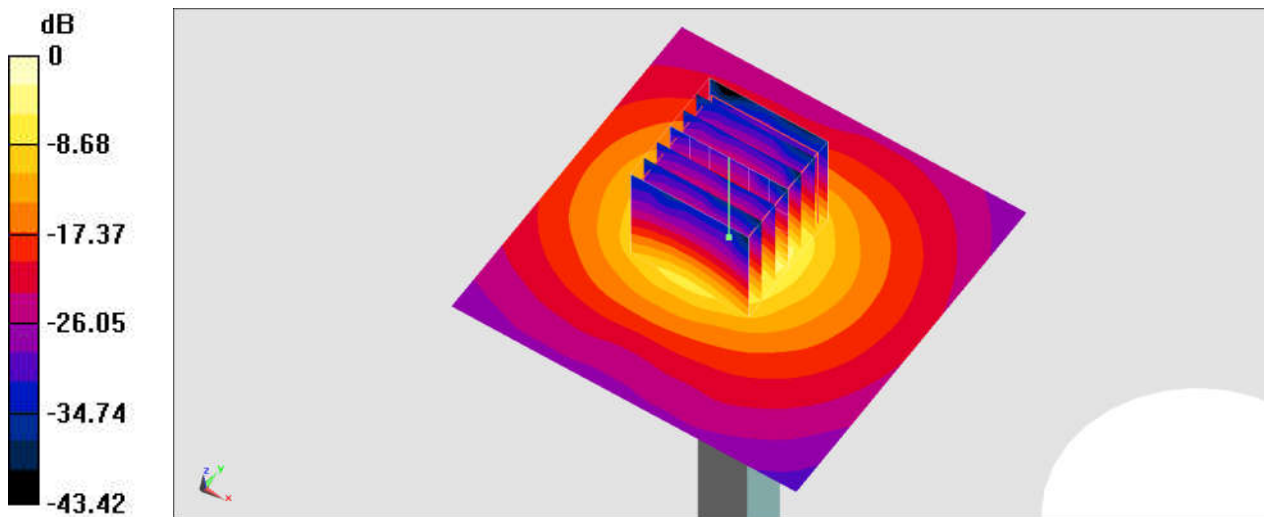
Communication System: CW; Frequency: 5250 MHz; Duty Cycle: 1:1
Medium: HSL_5G_220105 Medium parameters used: $f = 5250$ MHz; $\sigma = 4.787$ S/m; $\epsilon_r = 36.929$; $\rho = 1000$ kg/m³
Ambient Temperature : 23.6 °C; Liquid Temperature : 22.6 °C

DASY5 Configuration:

- Probe: EX3DV4 - SN3931; ConvF(5.1, 5.1, 5.1) @ 5250 MHz; Calibrated: 2021/10/21
- Sensor-Surface: 1.4mm (Mechanical Surface Detection)
- Electronics: DAE4 Sn1399; Calibrated: 2021/2/16
- Phantom: P1aP2a_Twin-SAM_V4.0_(30deg)_Right; Type: QD 000 P40 CC; Serial: 1303
- Measurement SW: DASY52, Version 52.10 (4); SEMCAD X Version 14.6.14 (7501)

Pin=100mW/Area Scan (71x71x1): Interpolated grid: dx=1.000 mm, dy=1.000 mm
Maximum value of SAR (interpolated) = 21.5 W/kg

Pin=100mW/Zoom Scan (7x7x7)/Cube 0: Measurement grid: dx=4mm, dy=4mm, dz=1.4mm
Reference Value = 63.74 V/m; Power Drift = 0.11 dB
Peak SAR (extrapolated) = 35.6 W/kg
SAR(1 g) = 8.57 W/kg; SAR(10 g) = 2.43 W/kg
Maximum value of SAR (measured) = 22.1 W/kg



System Check_Head_5250MHz

DUT: D5GHzV2-1006

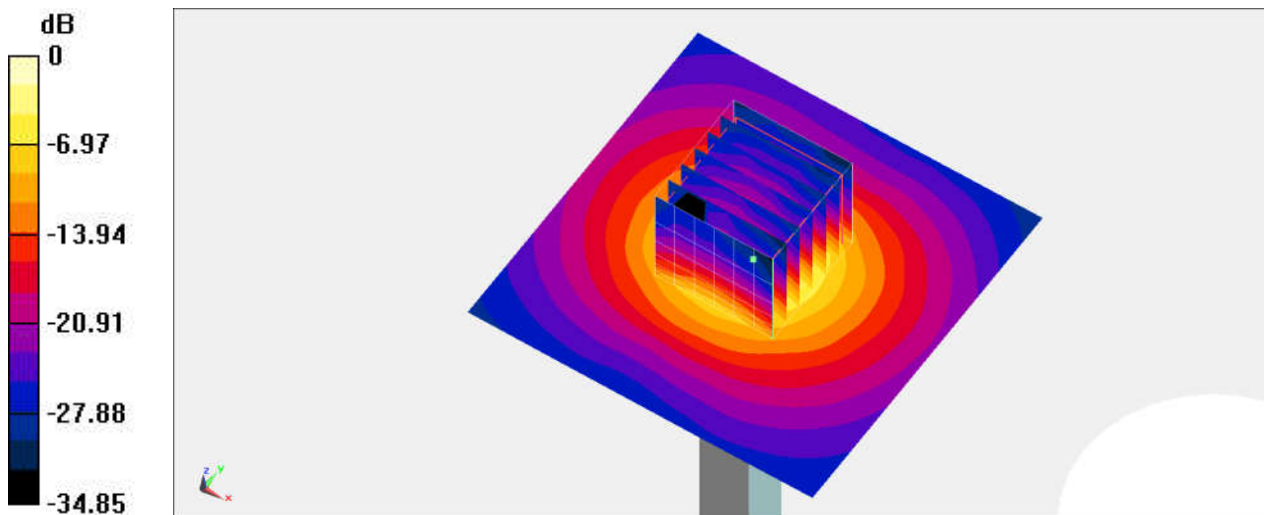
Communication System: CW; Frequency: 5250 MHz; Duty Cycle: 1:1
Medium: HSL_5G_220106 Medium parameters used : $f = 5250$ MHz; $\sigma = 4.765$ S/m; $\epsilon_r = 36.797$; $\rho = 1000$ kg/m³
Ambient Temperature : 23.7 °C; Liquid Temperature : 22.7 °C

DASY5 Configuration:

- Probe: EX3DV4 - SN3931; ConvF(5.1, 5.1, 5.1) @ 5250 MHz; Calibrated: 2021/10/21
- Sensor-Surface: 1.4mm (Mechanical Surface Detection)
- Electronics: DAE4 Sn1399; Calibrated: 2021/2/16
- Phantom: P1aP2a_Twin-SAM_V4.0_(30deg)_Right; Type: QD 000 P40 CC; Serial: 1303
- Measurement SW: DASY52, Version 52.10 (4); SEMCAD X Version 14.6.14 (7501)

Pin=50mW/Area Scan (71x71x1): Interpolated grid: dx=1.000 mm, dy=1.000 mm
Maximum value of SAR (interpolated) = 9.70 W/kg

Pin=50mW/Zoom Scan (7x7x7)/Cube 0: Measurement grid: dx=4mm, dy=4mm, dz=1.4mm
Reference Value = 51.51 V/m; Power Drift = -0.15 dB
Peak SAR (extrapolated) = 15.9 W/kg
SAR(1 g) = 3.97 W/kg; SAR(10 g) = 1.14 W/kg
Maximum value of SAR (measured) = 9.96 W/kg



0 dB = 9.96 W/kg = 9.98 dBW/kg

System Check_Head_5250MHz

DUT: D5GHzV2-1006

Communication System: CW; Frequency: 5250 MHz; Duty Cycle: 1:1

Medium: HSL_5G_220107 Medium parameters used : $f = 5250$ MHz; $\sigma = 4.693$ S/m; $\epsilon_r = 36.549$; $\rho = 1000$ kg/m³

Ambient Temperature : 23.5 °C; Liquid Temperature : 22.5 °C

DASY5 Configuration:

- Probe: EX3DV4 - SN3931; ConvF(5.1, 5.1, 5.1) @ 5250 MHz; Calibrated: 2021/10/21
- Sensor-Surface: 1.4mm (Mechanical Surface Detection)
- Electronics: DAE4 Sn1399; Calibrated: 2021/2/16
- Phantom: P1aP2a_Twin-SAM_V4.0_(30deg)_Right; Type: QD 000 P40 CC; Serial: 1303
- Measurement SW: DASY52, Version 52.10 (4); SEMCAD X Version 14.6.14 (7501)

Pin=50mW/Area Scan (71x71x1): Interpolated grid: dx=1.000 mm, dy=1.000 mm

Maximum value of SAR (interpolated) = 9.55 W/kg

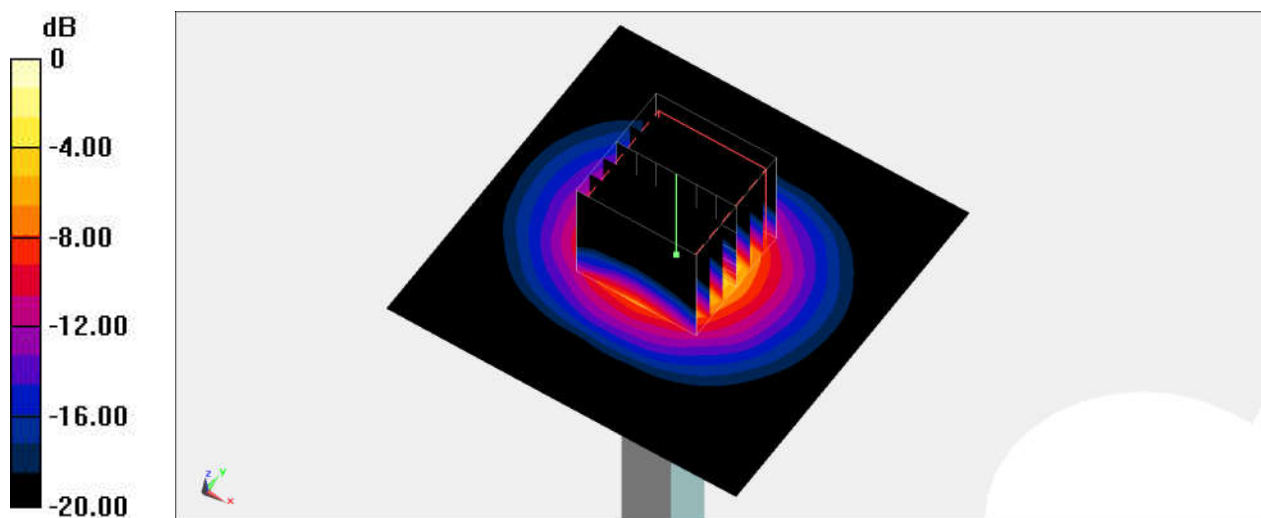
Pin=50mW/Zoom Scan (7x7x7)/Cube 0: Measurement grid: dx=4mm, dy=4mm, dz=1.4mm

Reference Value = 51.51 V/m; Power Drift = -0.15 dB

Peak SAR (extrapolated) = 15.6 W/kg

SAR(1 g) = 3.91 W/kg; SAR(10 g) = 1.12 W/kg

Maximum value of SAR (measured) = 9.81 W/kg



0 dB = 9.81 W/kg = 9.92 dBW/kg

System Check_Head_5250MHz

DUT: D5GHzV2-1006

Communication System: CW; Frequency: 5250 MHz; Duty Cycle: 1:1

Medium: HSL_5G_220109 Medium parameters used : $f = 5250$ MHz; $\sigma = 4.733$ S/m; $\epsilon_r = 37.303$; $\rho = 1000$ kg/m³

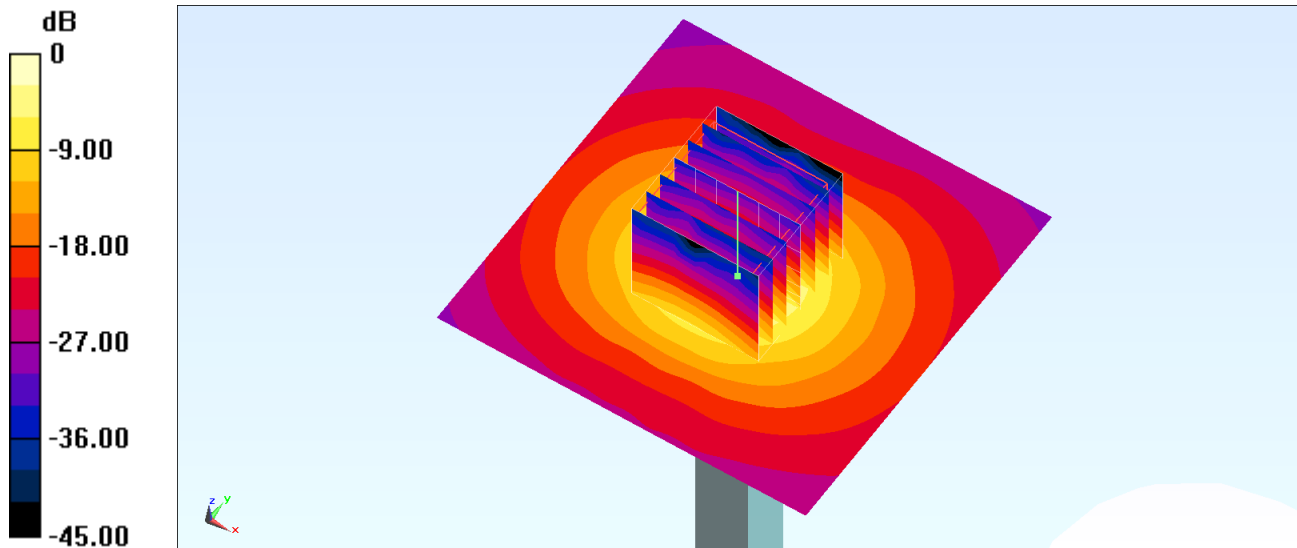
Ambient Temperature : 23.9 °C; Liquid Temperature : 22.9 °C

DASY5 Configuration:

- Probe: EX3DV4 - SN3642; ConvF(4.42, 4.42, 4.42) @ 5250 MHz; Calibrated: 2021/4/26
- Sensor-Surface: 1.4mm (Mechanical Surface Detection)
- Electronics: DAE4 Sn699; Calibrated: 2021/2/16
- Phantom: SAM_Right; Type: QD000P40CD; Serial: TP:1681
- Measurement SW: DASY52, Version 52.10 (4); SEMCAD X Version 14.6.14 (7501)

Pin=100mW/Area Scan (71x71x1): Interpolated grid: dx=1.000 mm, dy=1.000 mm
Maximum value of SAR (interpolated) = 26.1 W/kg

Pin=100mW/Zoom Scan (7x7x7)/Cube 0: Measurement grid: dx=4mm, dy=4mm, dz=1.4mm
Reference Value = 73.93 V/m; Power Drift = 0.13 dB
Peak SAR (extrapolated) = 36.3 W/kg
SAR(1 g) = 8.9 W/kg; SAR(10 g) = 2.55 W/kg
Maximum value of SAR (measured) = 22.2 W/kg



0 dB = 26.1 W/kg = 14.17 dBW/kg

System Check_Head_5600MHz

DUT: D5GHzV2-1006

Communication System: CW ; Frequency: 5600 MHz;Duty Cycle: 1:1

Medium: HSL_5G_211228 Medium parameters used: $f = 5600$ MHz; $\sigma = 5.099$ S/m; $\epsilon_r = 36.215$; $\rho = 1000$ kg/m³

Ambient Temperature : 23.4 °C ; Liquid Temperature : 22.4 °C

DASY5 Configuration:

- Probe: EX3DV4 - SN3931; ConvF(4.39, 4.39, 4.39) @ 5600 MHz; Calibrated: 2021/10/21
- Sensor-Surface: 1.4mm (Mechanical Surface Detection)
- Electronics: DAE4 Sn1399; Calibrated: 2021/2/16
- Phantom: P1aP2a_Twin-SAM_V4.0_(30deg)_Right; Type: QD 000 P40 CC; Serial: 1303
- Measurement SW: DASY52, Version 52.10 (4);SEMCAD X Version 14.6.14 (7501)

Pin=100mW/Area Scan (71x71x1): Interpolated grid: dx=1.000 mm, dy=1.000 mm

Maximum value of SAR (interpolated) = 25.3 W/kg

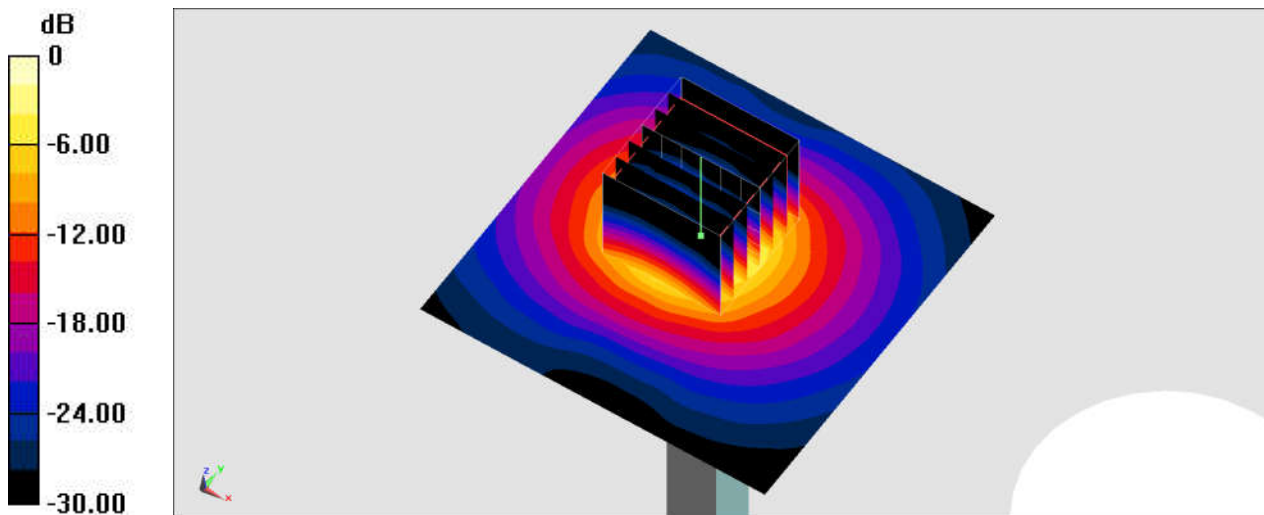
Pin=100mW/Zoom Scan (7x7x7)/Cube 0: Measurement grid: dx=4mm, dy=4mm, dz=1.4mm

Reference Value = 64.94 V/m; Power Drift = -0.11 dB

Peak SAR (extrapolated) = 39.3 W/kg

SAR(1 g) = 8.94 W/kg; SAR(10 g) = 2.52 W/kg

Maximum value of SAR (measured) = 23.3 W/kg



0 dB = 23.3 W/kg = 13.67 dBW/kg

System Check_Head_5600MHz

DUT: D5GHzV2-1006

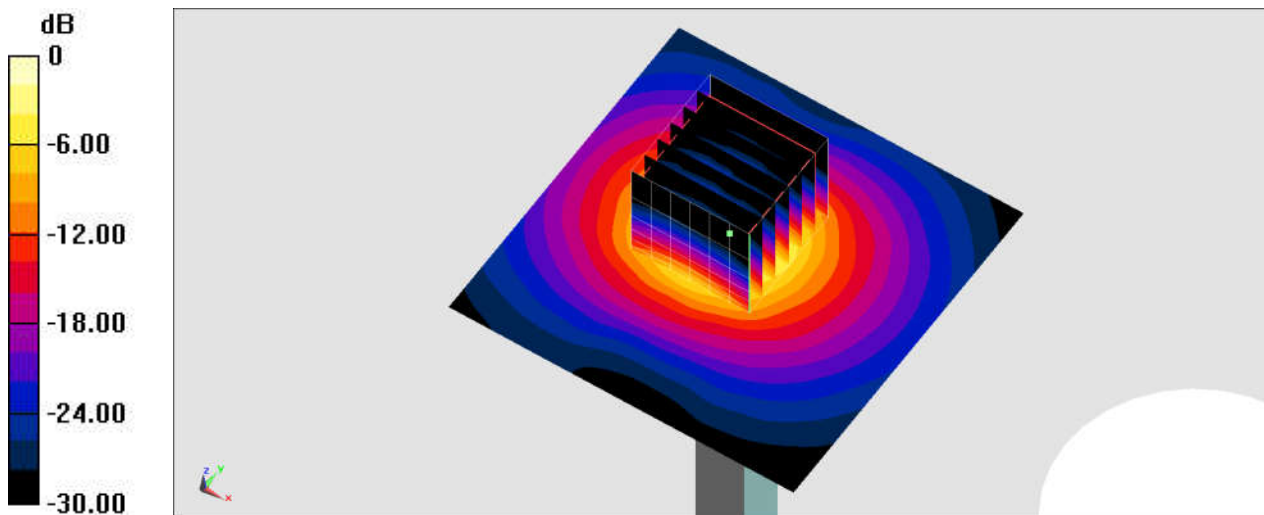
Communication System: CW ; Frequency: 5600 MHz;Duty Cycle: 1:1
Medium: HSL_5G_211230 Medium parameters used: $f = 5600$ MHz; $\sigma = 5.104$ S/m; $\epsilon_r = 36.231$; $\rho = 1000$ kg/m³
Ambient Temperature : 23.6 °C ; Liquid Temperature : 22.6 °C

DASY5 Configuration:

- Probe: EX3DV4 - SN3931; ConvF(4.39, 4.39, 4.39) @ 5600 MHz; Calibrated: 2021/10/21
- Sensor-Surface: 1.4mm (Mechanical Surface Detection)
- Electronics: DAE4 Sn1399; Calibrated: 2021/2/16
- Phantom: P1aP2a_Twin-SAM_V4.0_(30deg)_Right; Type: QD 000 P40 CC; Serial: 1303
- Measurement SW: DASY52, Version 52.10 (4);SEMCAD X Version 14.6.14 (7501)

Pin=100mW/Area Scan (71x71x1): Interpolated grid: dx=1.000 mm, dy=1.000 mm
Maximum value of SAR (interpolated) = 25.3 W/kg

Pin=100mW/Zoom Scan (7x7x7)/Cube 0: Measurement grid: dx=4mm, dy=4mm, dz=1.4mm
Reference Value = 64.94 V/m; Power Drift = -0.11 dB
Peak SAR (extrapolated) = 39.4 W/kg
SAR(1 g) = 8.95 W/kg; SAR(10 g) = 2.53 W/kg
Maximum value of SAR (measured) = 23.3 W/kg



System Check_Head_5600MHz

DUT: D5GHzV2-1006

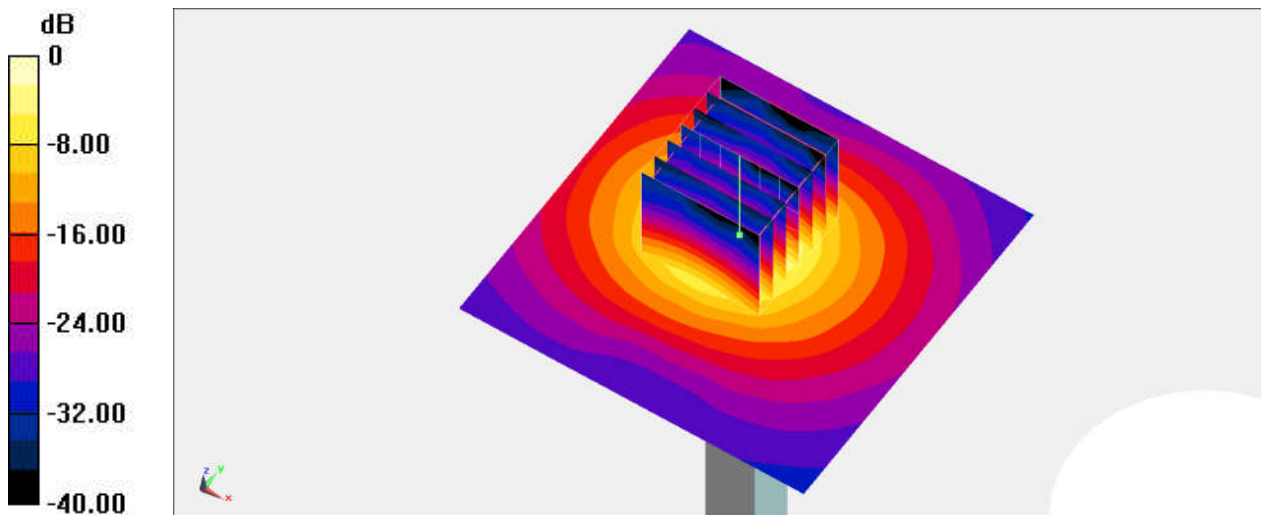
Communication System: CW ; Frequency: 5600 MHz;Duty Cycle: 1:1
Medium: HSL_5G_220101 Medium parameters used: $f = 5600 \text{ MHz}$; $\sigma = 5.148 \text{ S/m}$; $\epsilon_r = 36.048$; $\rho = 1000 \text{ kg/m}^3$
Ambient Temperature : $23.1 \text{ }^\circ\text{C}$; Liquid Temperature : $22.1 \text{ }^\circ\text{C}$

DASY5 Configuration:

- Probe: EX3DV4 - SN3931; ConvF(4.39, 4.39, 4.39) @ 5600 MHz; Calibrated: 2021/10/21
- Sensor-Surface: 1.4mm (Mechanical Surface Detection)
- Electronics: DAE4 Sn1399; Calibrated: 2021/2/16
- Phantom: P1aP2a_Twin-SAM_V4.0_(30deg)_Right; Type: QD 000 P40 CC; Serial: 1303
- Measurement SW: DASY52, Version 52.10 (4);SEMCAD X Version 14.6.14 (7501)

Pin=100mW/Area Scan (71x71x1): Interpolated grid: $dx=1.000 \text{ mm}$, $dy=1.000 \text{ mm}$
Maximum value of SAR (interpolated) = 25.5 W/kg

Pin=100mW/Zoom Scan (7x7x7)/Cube 0: Measurement grid: $dx=4\text{mm}$, $dy=4\text{mm}$, $dz=1.4\text{mm}$
Reference Value = 64.94 V/m ; Power Drift = -0.01 dB
Peak SAR (extrapolated) = 39.7 W/kg
SAR(1 g) = 9.03 W/kg ; SAR(10 g) = 2.55 W/kg
Maximum value of SAR (measured) = 23.5 W/kg



System Check_Head_5600MHz

DUT: D5GHzV2-1006

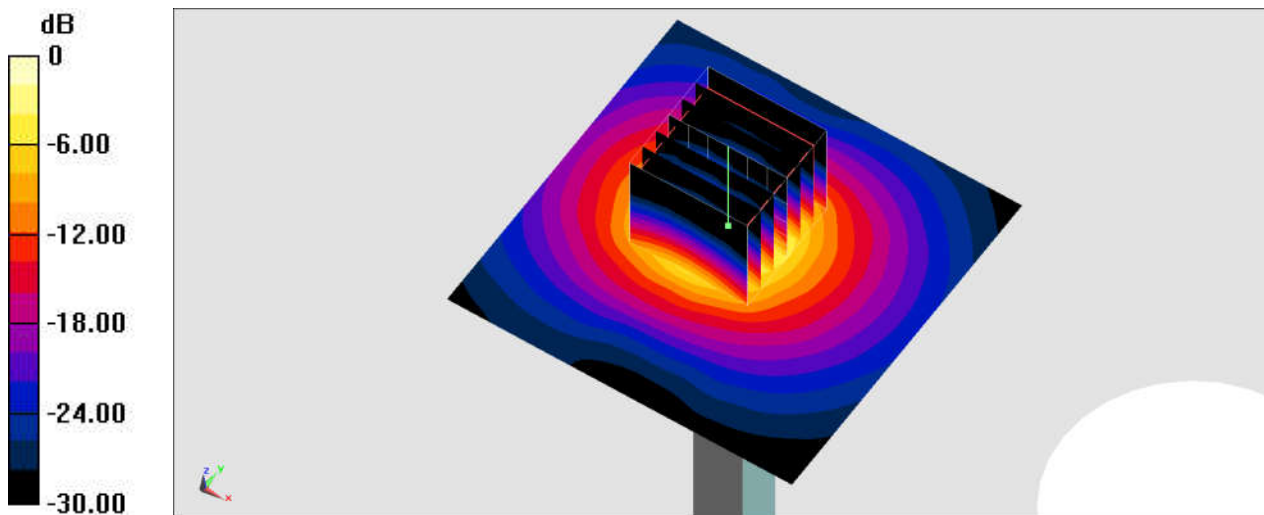
Communication System: CW ; Frequency: 5600 MHz;Duty Cycle: 1:1
Medium: HSL_5G_220104 Medium parameters used: $f = 5600$ MHz; $\sigma = 5.153$ S/m; $\epsilon_r = 36.065$; $\rho = 1000$ kg/m³
Ambient Temperature : 23.4 °C ; Liquid Temperature : 22.4 °C

DASY5 Configuration:

- Probe: EX3DV4 - SN3931; ConvF(4.39, 4.39, 4.39) @ 5600 MHz; Calibrated: 2021/10/21
- Sensor-Surface: 1.4mm (Mechanical Surface Detection)
- Electronics: DAE4 Sn1399; Calibrated: 2021/2/16
- Phantom: P1aP2a_Twin-SAM_V4.0_(30deg)_Right; Type: QD 000 P40 CC; Serial: 1303
- Measurement SW: DASY52, Version 52.10 (4);SEMCAD X Version 14.6.14 (7501)

Pin=100mW/Area Scan (71x71x1): Interpolated grid: dx=1.000 mm, dy=1.000 mm
Maximum value of SAR (interpolated) = 25.5 W/kg

Pin=100mW/Zoom Scan (7x7x7)/Cube 0: Measurement grid: dx=4mm, dy=4mm, dz=1.4mm
Reference Value = 64.94 V/m; Power Drift = -0.12 dB
Peak SAR (extrapolated) = 39.7 W/kg
SAR(1 g) = 9.04 W/kg; SAR(10 g) = 2.55 W/kg
Maximum value of SAR (measured) = 23.5 W/kg



0 dB = 23.5 W/kg = 13.71 dBW/kg

System Check_Head_5600MHz

DUT: D5GHzV2-1006

Communication System: CW ; Frequency: 5600 MHz;Duty Cycle: 1:1

Medium: HSL_5G_220105 Medium parameters used: $f = 5600$ MHz; $\sigma = 5.189$ S/m; $\epsilon_r = 36.381$; $\rho = 1000$ kg/m³

Ambient Temperature : 23.6 °C ; Liquid Temperature : 22.6 °C

DASY5 Configuration:

- Probe: EX3DV4 - SN3931; ConvF(4.39, 4.39, 4.39) @ 5600 MHz; Calibrated: 2021/10/21
- Sensor-Surface: 1.4mm (Mechanical Surface Detection)
- Electronics: DAE4 Sn1399; Calibrated: 2021/2/16
- Phantom: P1aP2a_Twin-SAM_V4.0_(30deg)_Right; Type: QD 000 P40 CC; Serial: 1303
- Measurement SW: DASY52, Version 52.10 (4);SEMCAD X Version 14.6.14 (7501)

Pin=100mW/Area Scan (71x71x1): Interpolated grid: dx=1.000 mm, dy=1.000 mm

Maximum value of SAR (interpolated) = 25.7 W/kg

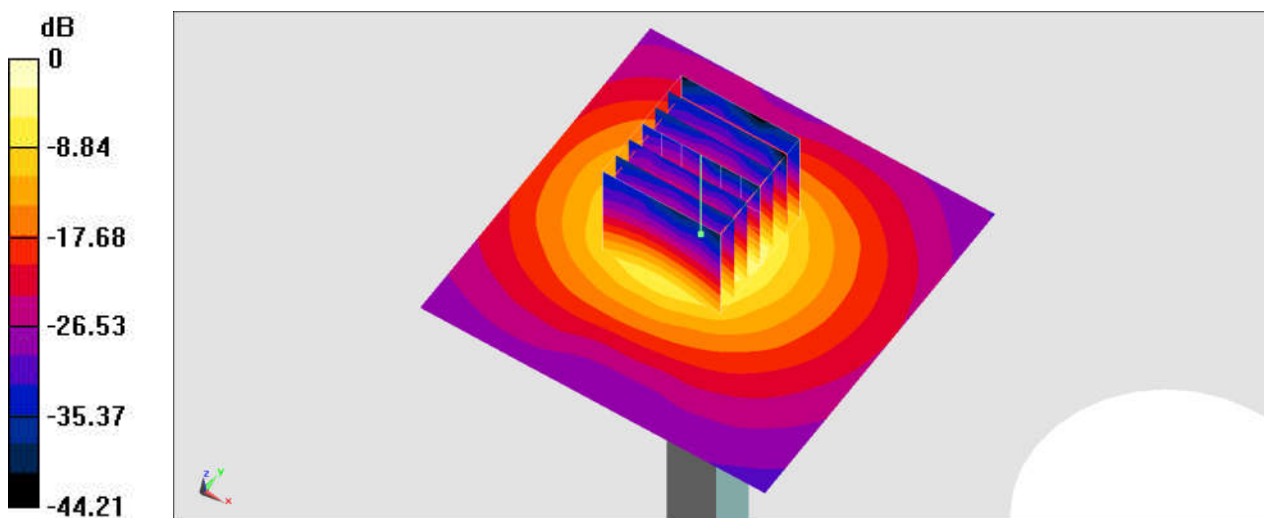
Pin=100mW/Zoom Scan (7x7x7)/Cube 0: Measurement grid: dx=4mm, dy=4mm, dz=1.4mm

Reference Value = 64.94 V/m; Power Drift = -0.04 dB

Peak SAR (extrapolated) = 40.0 W/kg

SAR(1 g) = 9.1 W/kg; SAR(10 g) = 2.57 W/kg

Maximum value of SAR (measured) = 23.7 W/kg



0 dB = 23.7 W/kg = 13.75 dBW/kg

System Check_Head_5600MHz

DUT: D5GHzV2-1006

Communication System: CW; Frequency: 5600 MHz; Duty Cycle: 1:1

Medium: HSL_5G_220106 Medium parameters used: $f = 5600$ MHz; $\sigma = 5.166$ S/m; $\epsilon_r = 36.25$; $\rho = 1000$ kg/m³

Ambient Temperature : 23.7 °C ; Liquid Temperature : 22.7 °C

DASY5 Configuration:

- Probe: EX3DV4 - SN3931; ConvF(4.39, 4.39, 4.39) @ 5600 MHz; Calibrated: 2021/10/21
- Sensor-Surface: 1.4mm (Mechanical Surface Detection)
- Electronics: DAE4 Sn1399; Calibrated: 2021/2/16
- Phantom: P1aP2a_Twin-SAM_V4.0_(30deg)_Right; Type: QD 000 P40 CC; Serial: 1303
- Measurement SW: DASY52, Version 52.10 (4); SEMCAD X Version 14.6.14 (7501)

Pin=50mW/Area Scan (71x71x1): Interpolated grid: dx=1.000 mm, dy=1.000 mm

Maximum value of SAR (interpolated) = 10.7 W/kg

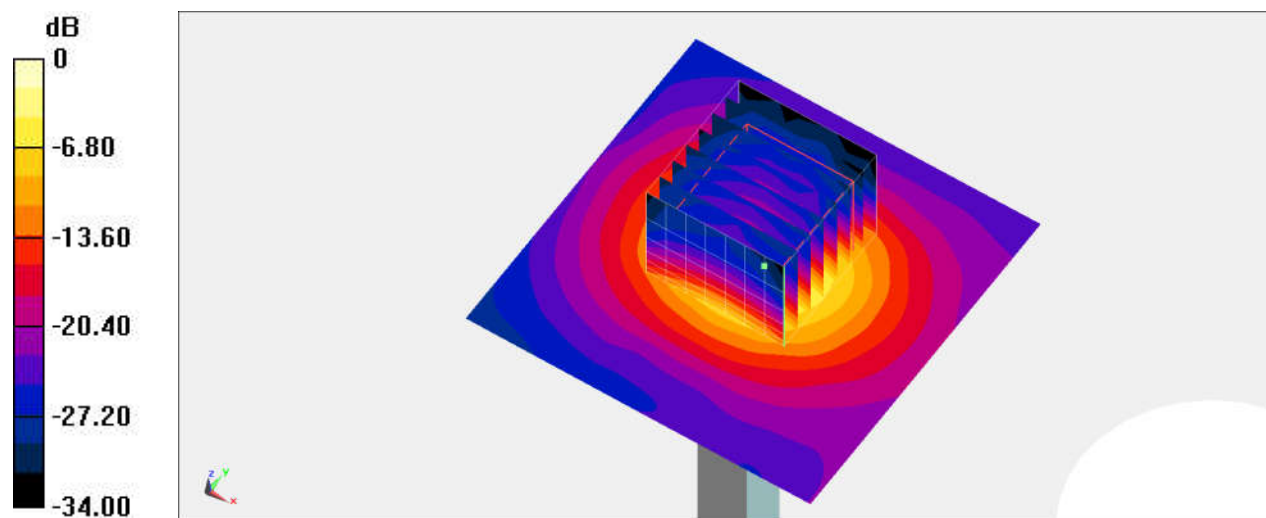
Pin=50mW/Zoom Scan (8x8x7)/Cube 0: Measurement grid: dx=4mm, dy=4mm, dz=1.4mm

Reference Value = 49.89 V/m; Power Drift = -0.05 dB

Peak SAR (extrapolated) = 18.5 W/kg

SAR(1 g) = 4.31 W/kg; SAR(10 g) = 1.24 W/kg

Maximum value of SAR (measured) = 11.0 W/kg



0 dB = 11.0 W/kg = 10.41 dBW/kg

System Check_Head_5600MHz

DUT: D5GHzV2-1006

Communication System: CW; Frequency: 5600 MHz; Duty Cycle: 1:1

Medium: HSL_5G_220107 Medium parameters used: $f = 5600$ MHz; $\sigma = 5.089$ S/m; $\epsilon_r = 36.002$; $\rho = 1000$ kg/m³

Ambient Temperature : 23.5 °C ; Liquid Temperature : 22.5 °C

DASY5 Configuration:

- Probe: EX3DV4 - SN3931; ConvF(4.39, 4.39, 4.39) @ 5600 MHz; Calibrated: 2021/10/21
- Sensor-Surface: 1.4mm (Mechanical Surface Detection)
- Electronics: DAE4 Sn1399; Calibrated: 2021/2/16
- Phantom: P1aP2a_Twin-SAM_V4.0_(30deg)_Right; Type: QD 000 P40 CC; Serial: 1303
- Measurement SW: DASY52, Version 52.10 (4); SEMCAD X Version 14.6.14 (7501)

Pin=50mW/Area Scan (71x71x1): Interpolated grid: dx=1.000 mm, dy=1.000 mm

Maximum value of SAR (interpolated) = 10.5 W/kg

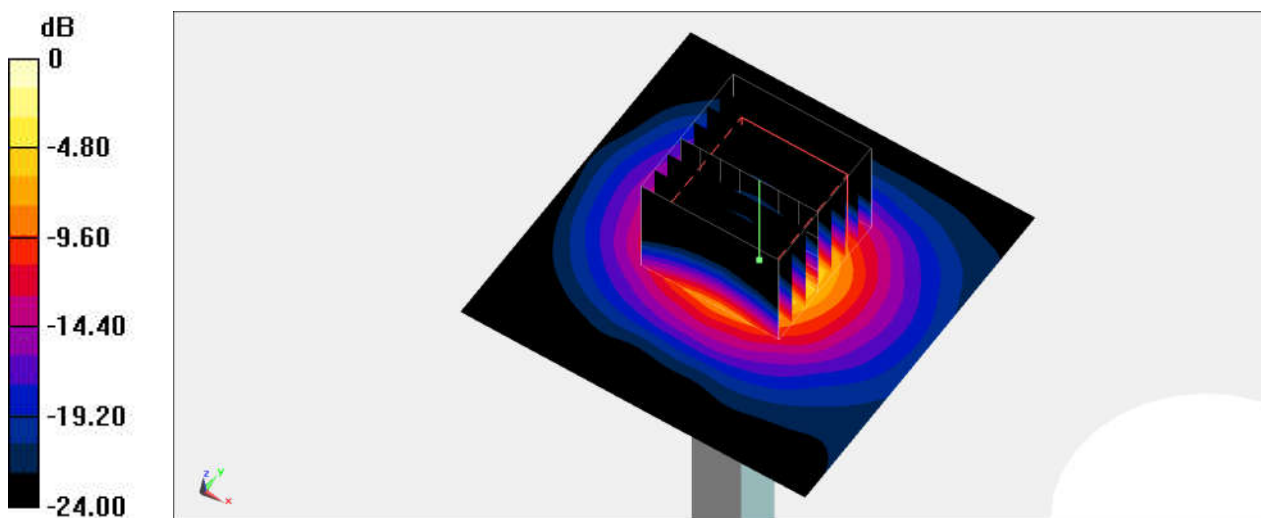
Pin=50mW/Zoom Scan (8x8x7)/Cube 0: Measurement grid: dx=4mm, dy=4mm, dz=1.4mm

Reference Value = 49.89 V/m; Power Drift = -0.09 dB

Peak SAR (extrapolated) = 18.2 W/kg

SAR(1 g) = 4.24 W/kg; SAR(10 g) = 1.22 W/kg

Maximum value of SAR (measured) = 10.9 W/kg



0 dB = 10.9 W/kg = 10.37 dBW/kg

System Check_Head_5600MHz

DUT: D5GHzV2-1006

Communication System: CW ; Frequency: 5600 MHz;Duty Cycle: 1:1

Medium: HSL_5G_220109 Medium parameters used: $f = 5600$ MHz; $\sigma = 5.069$ S/m; $\epsilon_r = 36.848$; $\rho = 1000$ kg/m³

Ambient Temperature : 23.9 °C ; Liquid Temperature : 22.9 °C

DASY5 Configuration:

- Probe: EX3DV4 - SN3642; ConvF(4.17, 4.17, 4.17) @ 5600 MHz; Calibrated: 2021/4/26
- Sensor-Surface: 1.4mm (Mechanical Surface Detection)
- Electronics: DAE4 Sn699; Calibrated: 2021/2/16
- Phantom: SAM_Right; Type: QD000P40CD; Serial: TP:1681
- Measurement SW: DASY52, Version 52.10 (4);SEMCAD X Version 14.6.14 (7501)

Pin=100mW/Area Scan (71x71x1): Interpolated grid: dx=1.000 mm, dy=1.000 mm

Maximum value of SAR (interpolated) = 24.0 W/kg

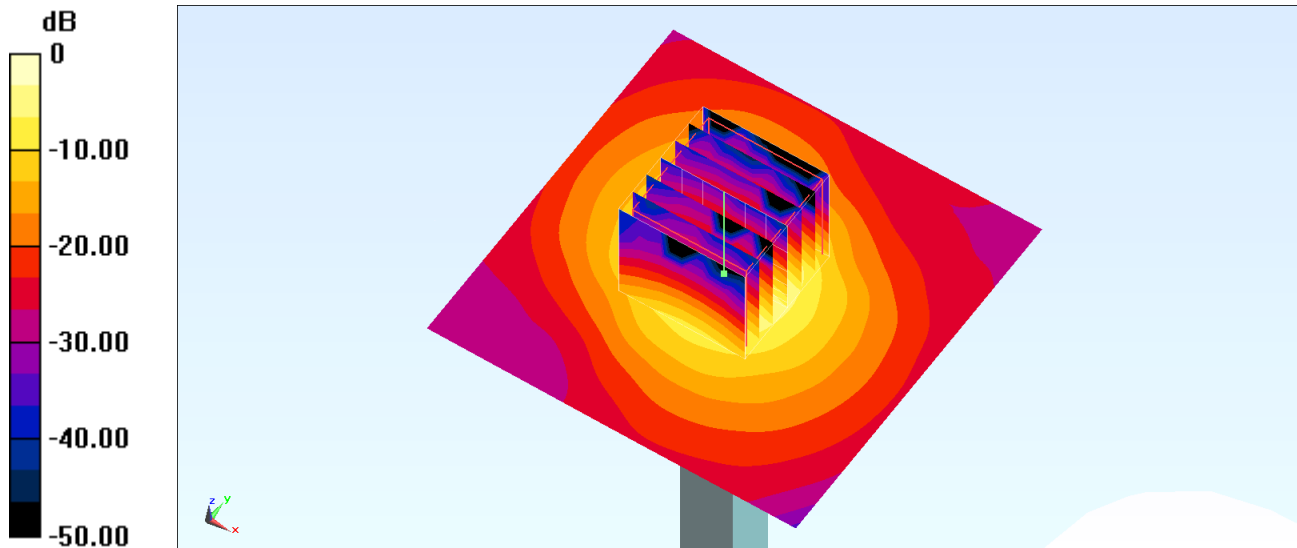
Pin=100mW/Zoom Scan (7x7x7)/Cube 0: Measurement grid: dx=4mm, dy=4mm, dz=1.4mm

Reference Value = 84.28 V/m; Power Drift = -0.16 dB

Peak SAR (extrapolated) = 41.6 W/kg

SAR(1 g) = 9.02 W/kg; SAR(10 g) = 2.5 W/kg

Maximum value of SAR (measured) = 23.7 W/kg



0 dB = 24.0 W/kg = 13.80 dBW/kg

System Check_Head_5750MHz

DUT: D5GHzV2-1006

Communication System: CW ; Frequency: 5750 MHz;Duty Cycle: 1:1

Medium: HSL_5G_211228 Medium parameters used: $f = 5750$ MHz; $\sigma = 5.254$ S/m; $\epsilon_r = 36.023$; $\rho = 1000$ kg/m³

Ambient Temperature : 23.4 °C ; Liquid Temperature : 22.4 °C

DASY5 Configuration:

- Probe: EX3DV4 - SN3931; ConvF(4.73, 4.73, 4.73) @ 5750 MHz; Calibrated: 2021/10/21
- Sensor-Surface: 1.4mm (Mechanical Surface Detection)
- Electronics: DAE4 Sn1399; Calibrated: 2021/2/16
- Phantom: P1aP2a_Twin-SAM_V4.0_(30deg)_Right; Type: QD 000 P40 CC; Serial: 1303
- Measurement SW: DASY52, Version 52.10 (4);SEMCAD X Version 14.6.14 (7501)

Pin=100mW/Area Scan (71x71x1): Interpolated grid: dx=1.000 mm, dy=1.000 mm

Maximum value of SAR (interpolated) = 22.4 W/kg

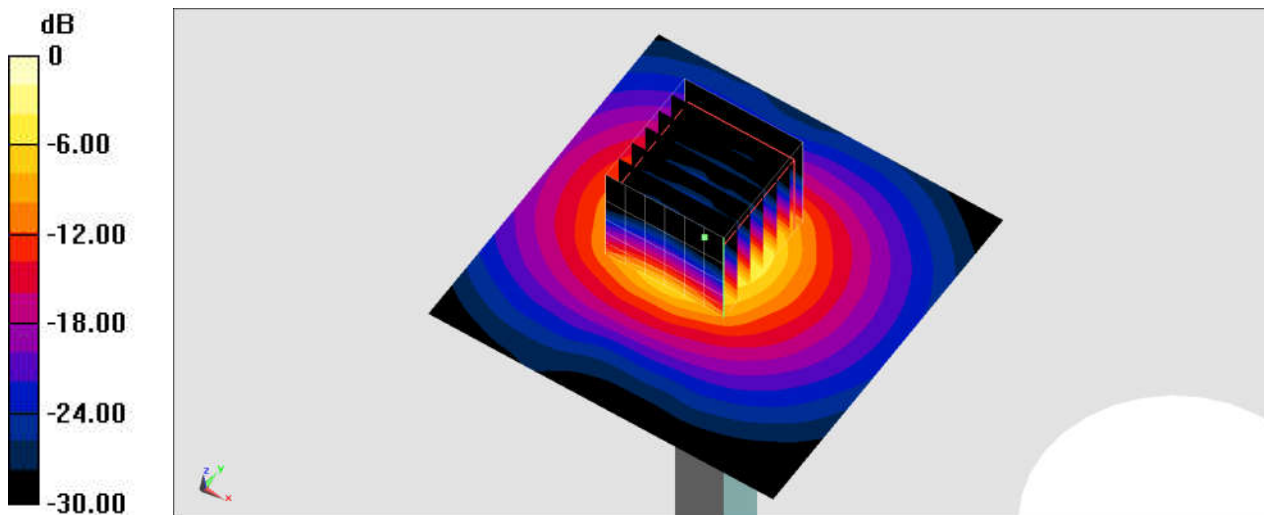
Pin=100mW/Zoom Scan (7x7x7)/Cube 0: Measurement grid: dx=4mm, dy=4mm, dz=1.4mm

Reference Value = 59.69 V/m; Power Drift = 0.08 dB

Peak SAR (extrapolated) = 39.5 W/kg

SAR(1 g) = 8.55 W/kg; SAR(10 g) = 2.4 W/kg

Maximum value of SAR (measured) = 22.5 W/kg



0 dB = 22.5 W/kg = 13.52 dBW/kg

System Check_Head_5750MHz

DUT: D5GHzV2-1006

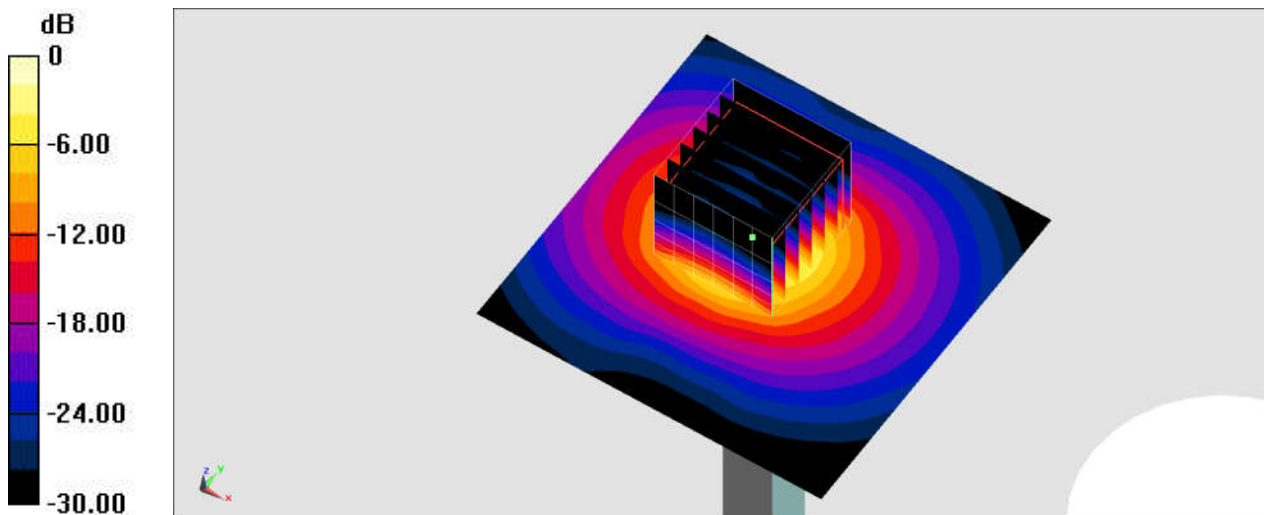
Communication System: CW ; Frequency: 5750 MHz;Duty Cycle: 1:1
Medium: HSL_5G_211230 Medium parameters used: $f = 5750$ MHz; $\sigma = 5.259$ S/m; $\epsilon_r = 36.039$; $\rho = 1000$ kg/m³
Ambient Temperature : 23.6 °C ; Liquid Temperature : 22.6 °C

DASY5 Configuration:

- Probe: EX3DV4 - SN3931; ConvF(4.73, 4.73, 4.73) @ 5750 MHz; Calibrated: 2021/10/21
- Sensor-Surface: 1.4mm (Mechanical Surface Detection)
- Electronics: DAE4 Sn1399; Calibrated: 2021/2/16
- Phantom: P1aP2a_Twin-SAM_V4.0_(30deg)_Right; Type: QD 000 P40 CC; Serial: 1303
- Measurement SW: DASY52, Version 52.10 (4);SEMCAD X Version 14.6.14 (7501)

Pin=100mW/Area Scan (71x71x1): Interpolated grid: dx=1.000 mm, dy=1.000 mm
Maximum value of SAR (interpolated) = 22.4 W/kg

Pin=100mW/Zoom Scan (7x7x7)/Cube 0: Measurement grid: dx=4mm, dy=4mm, dz=1.4mm
Reference Value = 59.69 V/m; Power Drift = 0.08 dB
Peak SAR (extrapolated) = 39.5 W/kg
SAR(1 g) = 8.56 W/kg; SAR(10 g) = 2.41 W/kg
Maximum value of SAR (measured) = 22.5 W/kg



0 dB = 22.5 W/kg = 13.52 dBW/kg

System Check_Head_5750MHz

DUT: D5GHzV2-1006

Communication System: CW ; Frequency: 5750 MHz;Duty Cycle: 1:1

Medium: HSL_5G_220101 Medium parameters used: $f = 5750$ MHz; $\sigma = 5.304$ S/m; $\epsilon_r = 35.856$; $\rho = 1000$ kg/m³

Ambient Temperature : 23.1 °C ; Liquid Temperature : 22.1 °C

DASY5 Configuration:

- Probe: EX3DV4 - SN3931; ConvF(4.73, 4.73, 4.73) @ 5750 MHz; Calibrated: 2021/10/21
- Sensor-Surface: 1.4mm (Mechanical Surface Detection)
- Electronics: DAE4 Sn1399; Calibrated: 2021/2/16
- Phantom: P1aP2a_Twin-SAM_V4.0_(30deg)_Right; Type: QD 000 P40 CC; Serial: 1303
- Measurement SW: DASY52, Version 52.10 (4);SEMCAD X Version 14.6.14 (7501)

Pin=100mW/Area Scan (71x71x1): Interpolated grid: dx=1.000 mm, dy=1.000 mm

Maximum value of SAR (interpolated) = 22.6 W/kg

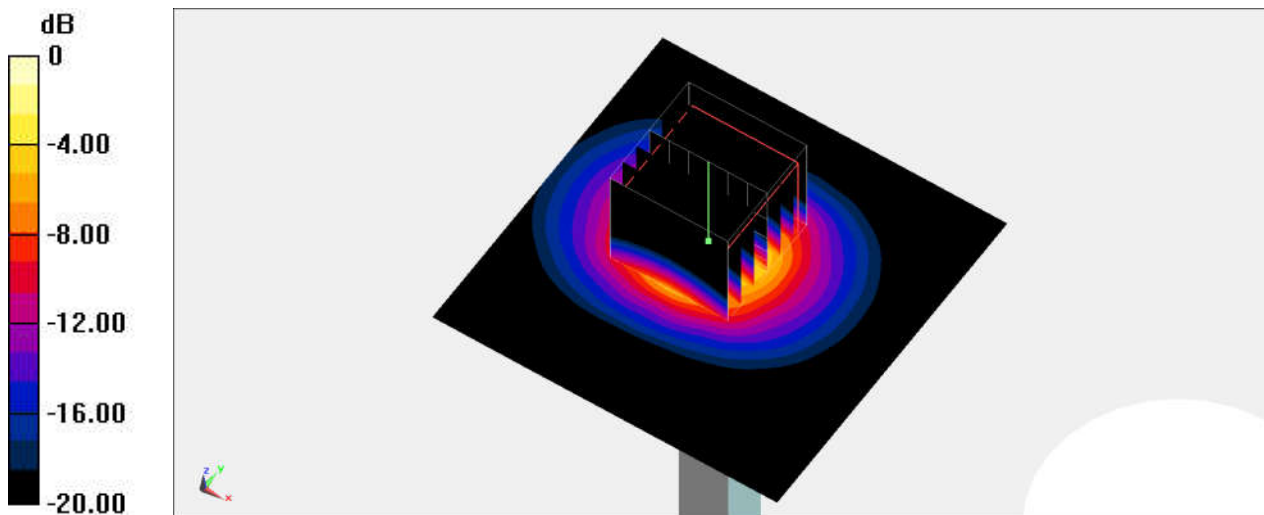
Pin=100mW/Zoom Scan (7x7x7)/Cube 0: Measurement grid: dx=4mm, dy=4mm, dz=1.4mm

Reference Value = 59.69 V/m; Power Drift = 0.08 dB

Peak SAR (extrapolated) = 39.9 W/kg

SAR(1 g) = 8.63 W/kg; SAR(10 g) = 2.43 W/kg

Maximum value of SAR (measured) = 22.7 W/kg



0 dB = 22.7 W/kg = 13.56 dBW/kg

System Check_Head_5750MHz

DUT: D5GHzV2-1006

Communication System: CW ; Frequency: 5750 MHz;Duty Cycle: 1:1

Medium: HSL_5G_220104 Medium parameters used: $f = 5750$ MHz; $\sigma = 5.31$ S/m; $\epsilon_r = 35.873$; $\rho = 1000$ kg/m³

Ambient Temperature : 23.4 °C ; Liquid Temperature : 22.4 °C

DASY5 Configuration:

- Probe: EX3DV4 - SN3931; ConvF(4.73, 4.73, 4.73) @ 5750 MHz; Calibrated: 2021/10/21
- Sensor-Surface: 1.4mm (Mechanical Surface Detection)
- Electronics: DAE4 Sn1399; Calibrated: 2021/2/16
- Phantom: P1aP2a_Twin-SAM_V4.0_(30deg)_Right; Type: QD 000 P40 CC; Serial: 1303
- Measurement SW: DASY52, Version 52.10 (4);SEMCAD X Version 14.6.14 (7501)

Pin=100mW/Area Scan (71x71x1): Interpolated grid: dx=1.000 mm, dy=1.000 mm

Maximum value of SAR (interpolated) = 22.7 W/kg

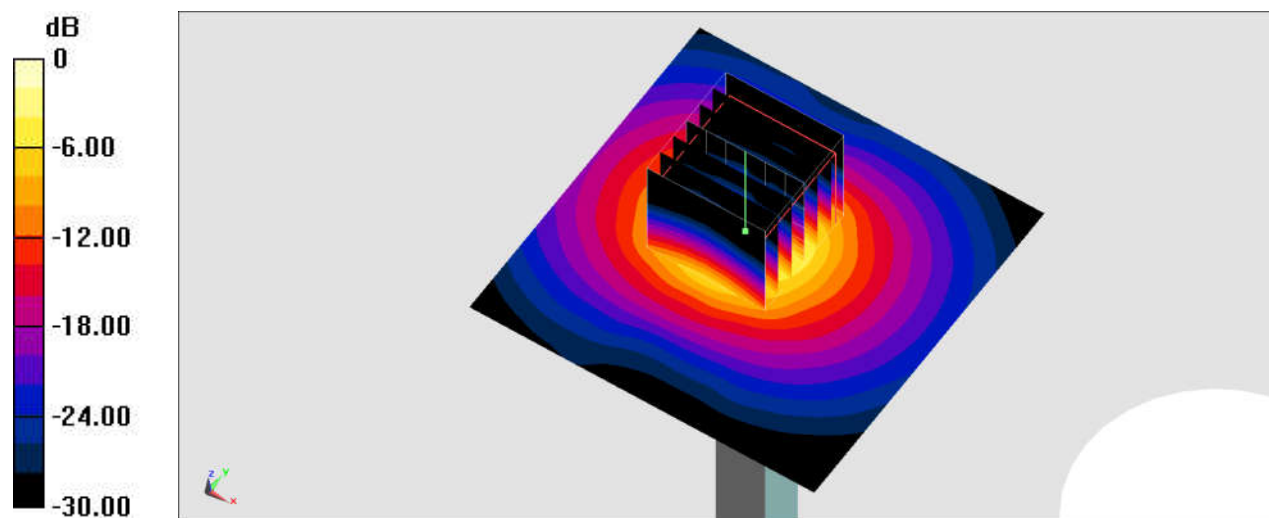
Pin=100mW/Zoom Scan (7x7x7)/Cube 0: Measurement grid: dx=4mm, dy=4mm, dz=1.4mm

Reference Value = 59.69 V/m; Power Drift = 0.18 dB

Peak SAR (extrapolated) = 39.9 W/kg

SAR(1 g) = 8.64 W/kg; SAR(10 g) = 2.43 W/kg

Maximum value of SAR (measured) = 22.7 W/kg



0 dB = 22.7 W/kg = 13.56 dBW/kg

System Check_Head_5750MHz

DUT: D5GHzV2-1006

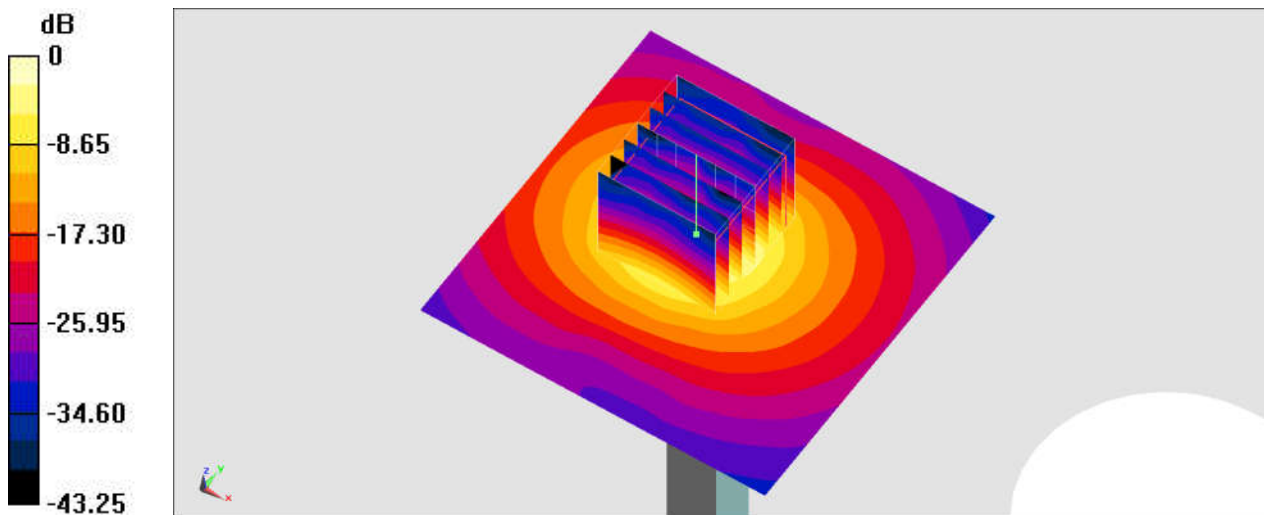
Communication System: CW ; Frequency: 5750 MHz;Duty Cycle: 1:1
Medium: HSL_5G_220105 Medium parameters used: $f = 5750$ MHz; $\sigma = 5.347$ S/m; $\epsilon_r = 36.189$; $\rho = 1000$ kg/m³
Ambient Temperature : 23.6 °C ; Liquid Temperature : 22.6 °C

DASY5 Configuration:

- Probe: EX3DV4 - SN3931; ConvF(4.73, 4.73, 4.73) @ 5750 MHz; Calibrated: 2021/10/21
- Sensor-Surface: 1.4mm (Mechanical Surface Detection)
- Electronics: DAE4 Sn1399; Calibrated: 2021/2/16
- Phantom: P1aP2a_Twin-SAM_V4.0_(30deg)_Right; Type: QD 000 P40 CC; Serial: 1303
- Measurement SW: DASY52, Version 52.10 (4);SEMCAD X Version 14.6.14 (7501)

Pin=100mW/Area Scan (71x71x1): Interpolated grid: dx=1.000 mm, dy=1.000 mm
Maximum value of SAR (interpolated) = 22.8 W/kg

Pin=100mW/Zoom Scan (7x7x7)/Cube 0: Measurement grid: dx=4mm, dy=4mm, dz=1.4mm
Reference Value = 59.69 V/m; Power Drift = 0.06 dB
Peak SAR (extrapolated) = 40.2 W/kg
SAR(1 g) = 8.7 W/kg; SAR(10 g) = 2.45 W/kg
Maximum value of SAR (measured) = 22.9 W/kg



0 dB = 22.9 W/kg = 13.60 dBW/kg

System Check_Head_5750MHz

DUT: D5GHzV2-1006

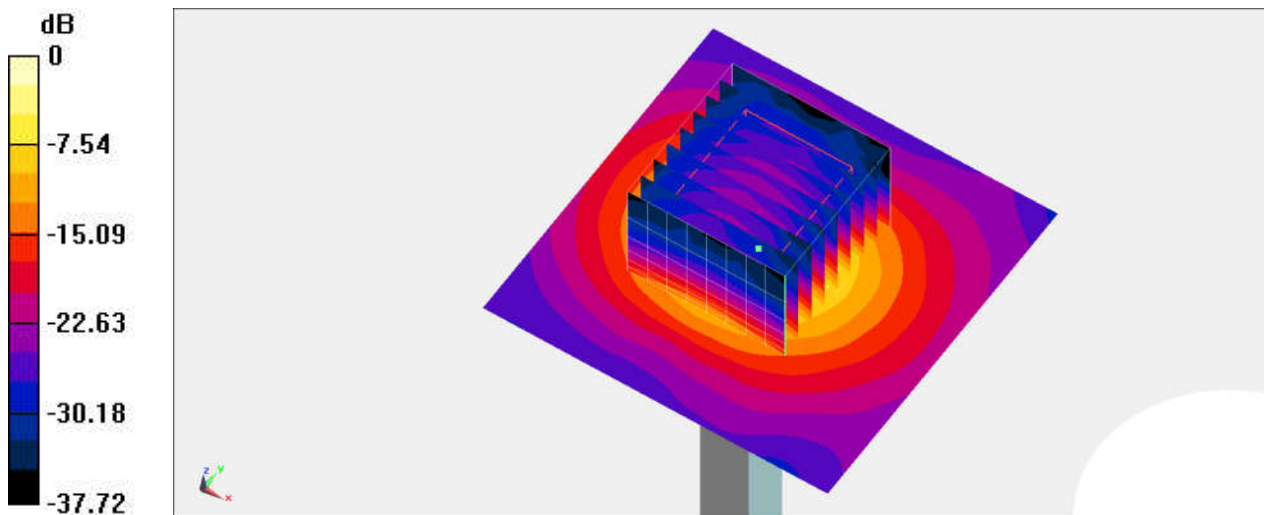
Communication System: CW ; Frequency: 5750 MHz;Duty Cycle: 1:1
Medium: HSL_5G_220106 Medium parameters used: $f = 5750$ MHz; $\sigma = 5.323$ S/m; $\epsilon_r = 36.058$; $\rho = 1000$ kg/m³
Ambient Temperature : 23.7 °C ; Liquid Temperature : 22.7 °C

DASY5 Configuration:

- Probe: EX3DV4 - SN3931; ConvF(4.73, 4.73, 4.73) @ 5750 MHz; Calibrated: 2021/10/21
- Sensor-Surface: 1.4mm (Mechanical Surface Detection)
- Electronics: DAE4 Sn1399; Calibrated: 2021/2/16
- Phantom: P1aP2a_Twin-SAM_V4.0_(30deg)_Right; Type: QD 000 P40 CC; Serial: 1303
- Measurement SW: DASY52, Version 52.10 (4);SEMCAD X Version 14.6.14 (7501)

Pin=100mW/Area Scan (71x71x1): Interpolated grid: dx=1.000 mm, dy=1.000 mm
Maximum value of SAR (interpolated) = 20.2 W/kg

Pin=100mW/Zoom Scan (9x9x7)/Cube 0: Measurement grid: dx=4mm, dy=4mm, dz=1.4mm
Reference Value = 67.61 V/m; Power Drift = 0.11 dB
Peak SAR (extrapolated) = 38.9 W/kg
SAR(1 g) = 8.06 W/kg; SAR(10 g) = 2.3 W/kg
Maximum value of SAR (measured) = 21.5 W/kg



0 dB = 21.5 W/kg = 13.32 dBW/kg

System Check_Head_5750MHz

DUT: D5GHzV2-1006

Communication System: CW ; Frequency: 5750 MHz;Duty Cycle: 1:1

Medium: HSL_5G_220107 Medium parameters used: $f = 5750$ MHz; $\sigma = 5.244$ S/m; $\epsilon_r = 35.81$; $\rho = 1000$ kg/m³

Ambient Temperature : 23.5 °C ; Liquid Temperature : 22.5 °C

DASY5 Configuration:

- Probe: EX3DV4 - SN3931; ConvF(4.73, 4.73, 4.73) @ 5750 MHz; Calibrated: 2021/10/21
- Sensor-Surface: 1.4mm (Mechanical Surface Detection)
- Electronics: DAE4 Sn1399; Calibrated: 2021/2/16
- Phantom: P1aP2a_Twin-SAM_V4.0_(30deg)_Right; Type: QD 000 P40 CC; Serial: 1303
- Measurement SW: DASY52, Version 52.10 (4);SEMCAD X Version 14.6.14 (7501)

Pin=100mW/Area Scan (71x71x1): Interpolated grid: dx=1.000 mm, dy=1.000 mm

Maximum value of SAR (interpolated) = 19.9 W/kg

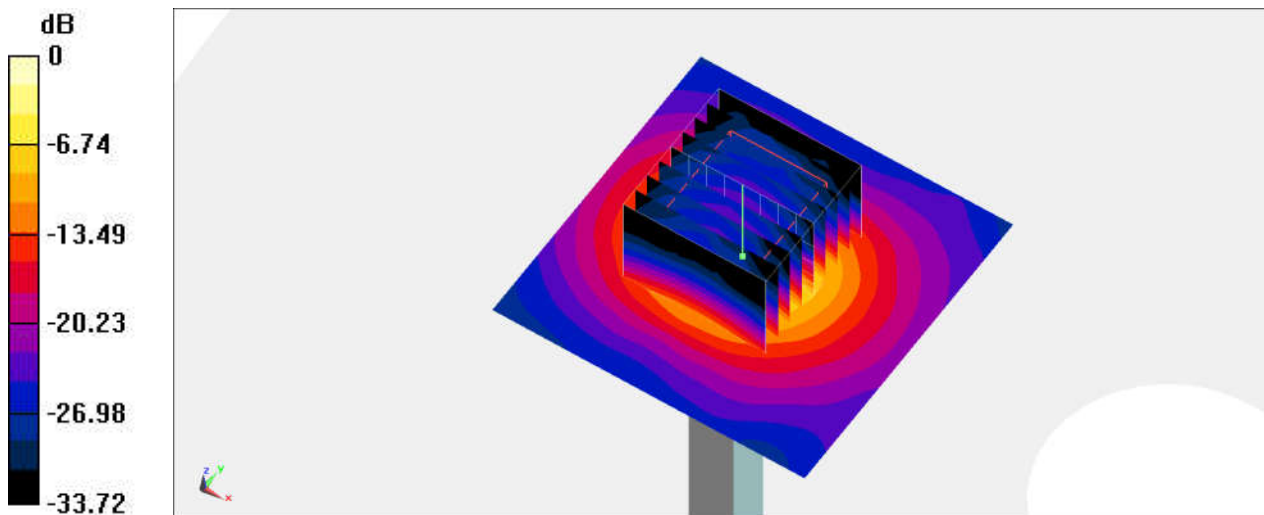
Pin=100mW/Zoom Scan (9x9x7)/Cube 0: Measurement grid: dx=4mm, dy=4mm, dz=1.4mm

Reference Value = 67.61 V/m; Power Drift = 0.03 dB

Peak SAR (extrapolated) = 38.3 W/kg

SAR(1 g) = 7.94 W/kg; SAR(10 g) = 2.27 W/kg

Maximum value of SAR (measured) = 21.2 W/kg



0 dB = 21.2 W/kg = 13.26 dBW/kg

System Check_Head_5850MHz

DUT: D5GHzV2-1171

Communication System: CW ; Frequency: 5850 MHz;Duty Cycle: 1:1

Medium: HSL_5G_220104 Medium parameters used : $f = 5850$ MHz; $\sigma = 5.521$ S/m; $\epsilon_r = 36.207$; $\rho = 1000$ kg/m³

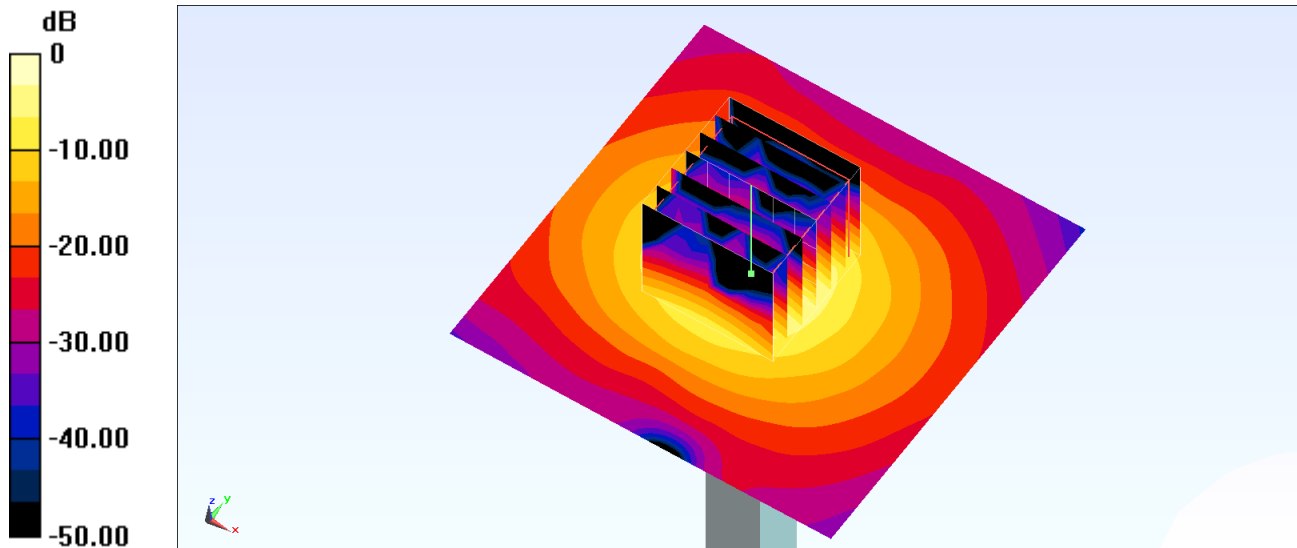
Ambient Temperature : 23.1 °C ; Liquid Temperature : 22.1 °C

DASY5 Configuration:

- Probe: EX3DV4 - SN3642; ConvF(4.18, 4.18, 4.18) @ 5850 MHz; Calibrated: 2021/4/26
- Sensor-Surface: 1.4mm (Mechanical Surface Detection)
- Electronics: DAE4 Sn656; Calibrated: 2021/1/22
- Phantom: SAM_Right; Type: QD000P40CD; Serial: TP:1681
- Measurement SW: DASY52, Version 52.10 (4);SEMCAD X Version 14.6.14 (7501)

Pin=100mW/Area Scan (71x71x1): Interpolated grid: dx=1.000 mm, dy=1.000 mm
Maximum value of SAR (interpolated) = 20.0 W/kg

Pin=100mW/Zoom Scan (7x7x7)/Cube 0: Measurement grid: dx=4mm, dy=4mm, dz=1.4mm
Reference Value = 64.58 V/m; Power Drift = 0.16 dB
Peak SAR (extrapolated) = 37.5 W/kg
SAR(1 g) = 7.73 W/kg; SAR(10 g) = 2.16 W/kg
Maximum value of SAR (measured) = 20.9 W/kg



0 dB = 20.0 W/kg = 13.01 dBW/kg

System Check_Head_5850MHz

DUT: D5GHzV2-1171

Communication System: CW ; Frequency: 5850 MHz;Duty Cycle: 1:1

Medium: HSL_5G_220106 Medium parameters used : $f = 5850$ MHz; $\sigma = 5.494$ S/m; $\epsilon_r = 36.032$; $\rho = 1000$ kg/m³

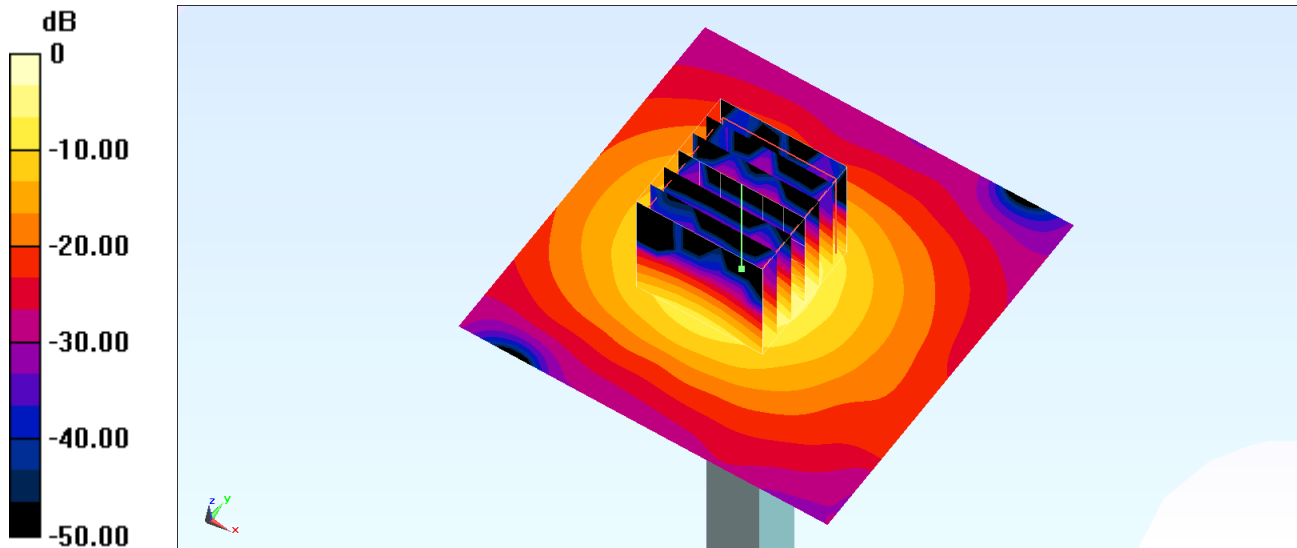
Ambient Temperature : 23.3 °C ; Liquid Temperature : 22.3 °C

DASY5 Configuration:

- Probe: EX3DV4 - SN3642; ConvF(4.18, 4.18, 4.18) @ 5850 MHz; Calibrated: 2021/4/26
- Sensor-Surface: 1.4mm (Mechanical Surface Detection)
- Electronics: DAE4 Sn656; Calibrated: 2021/1/22
- Phantom: SAM_Right; Type: QD000P40CD; Serial: TP:1681
- Measurement SW: DASY52, Version 52.10 (4);SEMCAD X Version 14.6.14 (7501)

Pin=100mW/Area Scan (71x71x1): Interpolated grid: dx=1.000 mm, dy=1.000 mm
Maximum value of SAR (interpolated) = 20.6 W/kg

Pin=100mW/Zoom Scan (7x7x7)/Cube 0: Measurement grid: dx=4mm, dy=4mm, dz=1.4mm
Reference Value = 62.70 V/m; Power Drift = 0.16 dB
Peak SAR (extrapolated) = 38.8 W/kg
SAR(1 g) = 7.88 W/kg; SAR(10 g) = 2.19 W/kg
Maximum value of SAR (measured) = 21.8 W/kg



0 dB = 21.8 W/kg = 13.38 dBW/kg

System Check_Head_5850MHz

DUT: D5GHzV2-1171

Communication System: CW ; Frequency: 5850 MHz;Duty Cycle: 1:1

Medium: HSL_5G_220107 Medium parameters used : $f = 5850$ MHz; $\sigma = 5.478$ S/m; $\epsilon_r = 35.982$; $\rho = 1000$ kg/m³

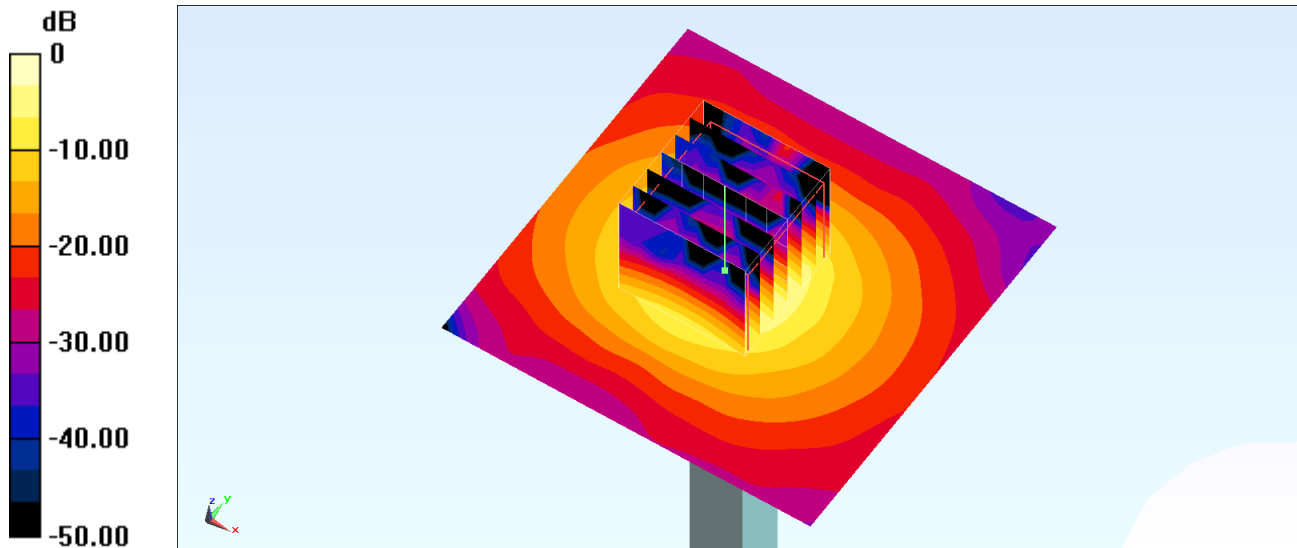
Ambient Temperature : 23.6 °C ; Liquid Temperature : 22.6 °C

DASY5 Configuration:

- Probe: EX3DV4 - SN3642; ConvF(4.18, 4.18, 4.18) @ 5850 MHz; Calibrated: 2021/4/26
- Sensor-Surface: 1.4mm (Mechanical Surface Detection)
- Electronics: DAE4 Sn699; Calibrated: 2021/2/16
- Phantom: SAM_Right; Type: QD000P40CD; Serial: TP:1681
- Measurement SW: DASY52, Version 52.10 (4);SEMCAD X Version 14.6.14 (7501)

Pin=100mW/Area Scan (71x71x1): Interpolated grid: dx=1.000 mm, dy=1.000 mm
Maximum value of SAR (interpolated) = 22.2 W/kg

Pin=100mW/Zoom Scan (7x7x7)/Cube 0: Measurement grid: dx=4mm, dy=4mm, dz=1.4mm
Reference Value = 69.03 V/m; Power Drift = -0.15 dB
Peak SAR (extrapolated) = 39.9 W/kg
SAR(1 g) = 8.15 W/kg; SAR(10 g) = 2.27 W/kg
Maximum value of SAR (measured) = 22.1 W/kg



0 dB = 22.1 W/kg = 13.44 dBW/kg

System Check_Head_5850MHz

DUT: D5GHzV2-1171

Communication System: CW ; Frequency: 5850 MHz;Duty Cycle: 1:1

Medium: HSL_5G_220109 Medium parameters used : $f = 5850$ MHz; $\sigma = 5.293$ S/m; $\epsilon_r = 36.48$; $\rho = 1000$ kg/m³

Ambient Temperature : 23.9 °C ; Liquid Temperature : 22.9 °C

DASY5 Configuration:

- Probe: EX3DV4 - SN3642; ConvF(4.18, 4.18, 4.18) @ 5850 MHz; Calibrated: 2021/4/26
- Sensor-Surface: 1.4mm (Mechanical Surface Detection)
- Electronics: DAE4 Sn699; Calibrated: 2021/2/16
- Phantom: SAM_Right; Type: QD000P40CD; Serial: TP:1681
- Measurement SW: DASY52, Version 52.10 (4);SEMCAD X Version 14.6.14 (7501)

Pin=100mW/Area Scan (71x71x1): Interpolated grid: dx=1.000 mm, dy=1.000 mm

Maximum value of SAR (interpolated) = 21.5 W/kg

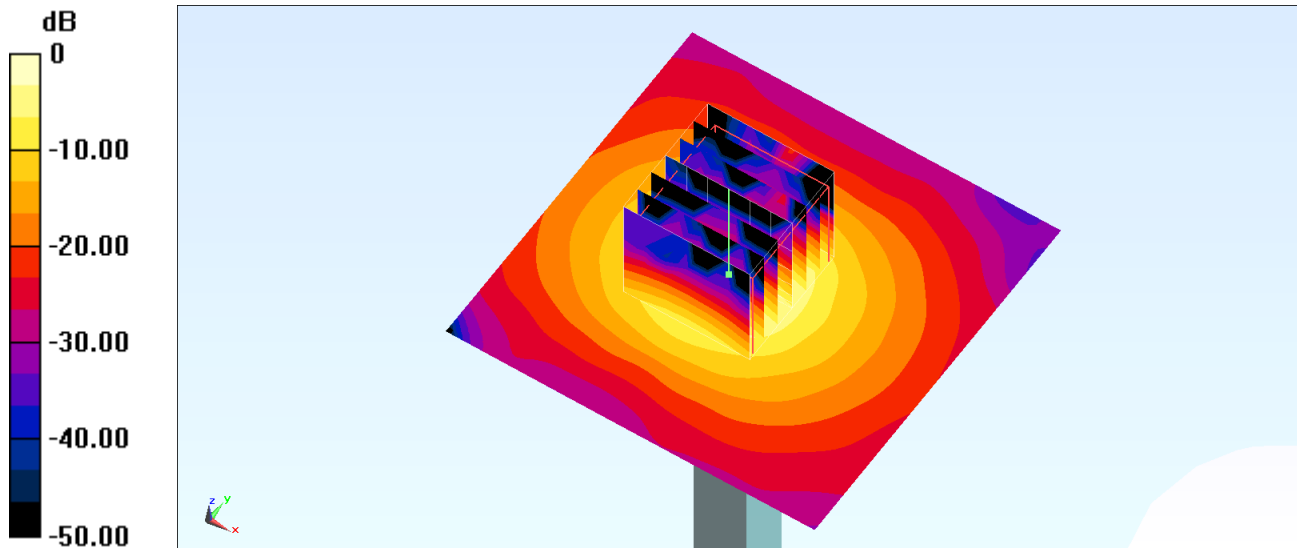
Pin=100mW/Zoom Scan (7x7x7)/Cube 0: Measurement grid: dx=4mm, dy=4mm, dz=1.4mm

Reference Value = 69.03 V/m; Power Drift = -0.15 dB

Peak SAR (extrapolated) = 38.5 W/kg

SAR(1 g) = 7.88 W/kg; SAR(10 g) = 2.19 W/kg

Maximum value of SAR (measured) = 21.4 W/kg



0 dB = 21.4 W/kg = 13.30 dBW/kg

System Check_Head_6500MHz

Communication System: ; Frequency: 6500.0

Medium: HSL_6500_220106. Medium parameters used: $f= 6500.0$ MHz; $\sigma= 5.95$ S/m; $\epsilon_r = 33.95$

Ambient Temperature: 23.1°C; Liquid Temperature: 22.1°C

DASY6 Configuration:

- Probe: EX3DV4 - SN3728; ConvF(4.95, 4.95, 4.95); Calibrated: 2021-02-23
- Sensor-Surface: 1.4 mm
- Electronics: DAE3 Sn577; Calibrated: 2021-09-15
- Phantom: Twin-SAM V4.0 (30deg probe tilt); Serial: 1488; Section: Flat
- Measurement Software: cDASY6 V6.6.0.13926
- UID: CW
- MAIA: Area Scan: N/A; Zoom Scan: N/A

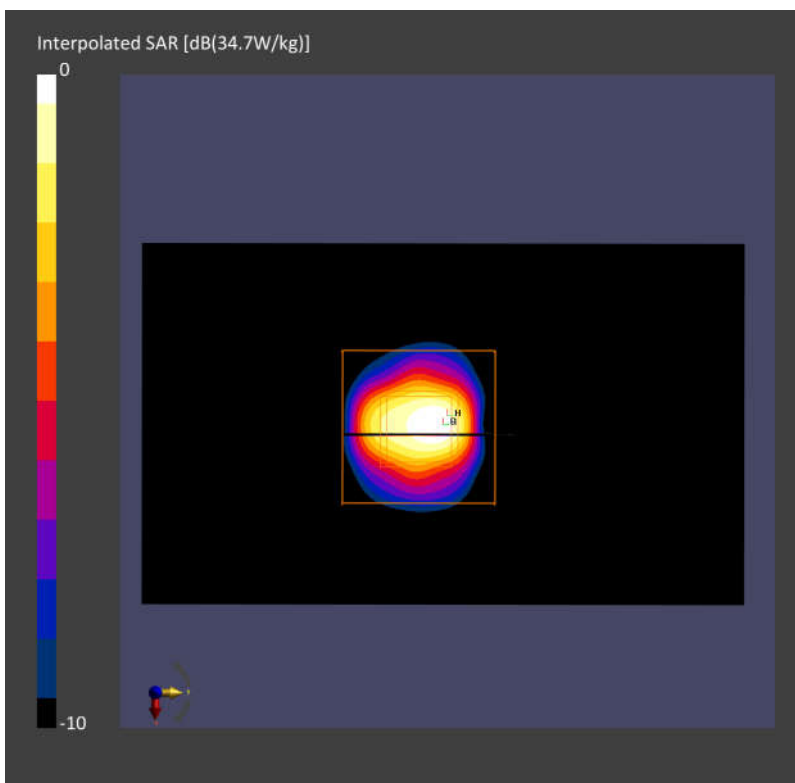
Area Scan (51.0 mm x 85.0 mm): Measurement Grid: 8.5 mm x 8.5 mm

SAR (1g) = 21.9 W/kg; SAR (10g) = 4.76 W/kg;

Zoom Scan (23.8 mm x 23.8 mm x 22.0 mm): Measurement Grid: 3.4 mm x 3.4 mm x 1.4 mm

Power Drift = 0.00 dB

SAR (1g) = 28.1 W/kg; SAR (10g) = 5.27 W/kg;



Measurement Report for Device

Device Under Test Properties

Model, Manufacturer	Dimensions [mm]	IMEI	DUT Type
Device,	70.0 x 50.0 x 8.0		5G Verification Source

Exposure Conditions

Phantom Section	Position, Test Distance [mm]	Frequency [MHz]	Conversion Factor
5G	FRONT, 10.00	10000.0	1.0

Hardware Setup

Phantom	Medium	Probe, Calibration Date	DAE, Calibration Date
mmWave - 1044	Air -	EUmmWV3 - SN9424_F1-55GHz, 2021-03-23	DAE3 Sn577, 2021-09-15

Scans Setup

Scan Type	5G Scan
Grid Extents [mm]	120.0 x 120.0
Grid Steps [lambda]	0.25 x 0.25
Sensor Surface [mm]	10.0

Measurement Results

Date	2021-12-28, 11:06
Avg. Area [cm ²]	4.00
psPDn+ [W/m ²]	41.3
psPDtot+ [W/m ²]	41.4
H _{max} [A/m]	0.374
E _{max} [V/m]	138
max _(Stot) [W/m ²]	49.1
Power Drift [dB]	0.07

