

System Check_Head_2600MHz

DUT: D2600V2-1078

Communication System: CW; Frequency: 2600 MHz; Duty Cycle: 1:1

Medium: HSL_2600_211128 Medium parameters used: $f = 2600$ MHz; $\sigma = 1.895$ S/m; $\epsilon_r = 38.224$; $\rho = 1000$ kg/m³

Ambient Temperature : 23.2 °C; Liquid Temperature : 22.2 °C

DASY5 Configuration:

- Probe: ES3DV3 - SN3270; ConvF(4.51, 4.51, 4.51) @ 2600 MHz; Calibrated: 2021/9/21
- Sensor-Surface: 3mm (Mechanical Surface Detection)
- Electronics: DAE4 Sn316; Calibrated: 2021/1/19
- Phantom: SAM_Left; Type: QD000P40CD; Serial: TP:1684
- Measurement SW: DASY52, Version 52.10 (4); SEMCAD X Version 14.6.14 (7483)

Pin=250mW/Area Scan (81x81x1): Interpolated grid: dx=1.200 mm, dy=1.200 mm

Maximum value of SAR (interpolated) = 20.8 W/kg

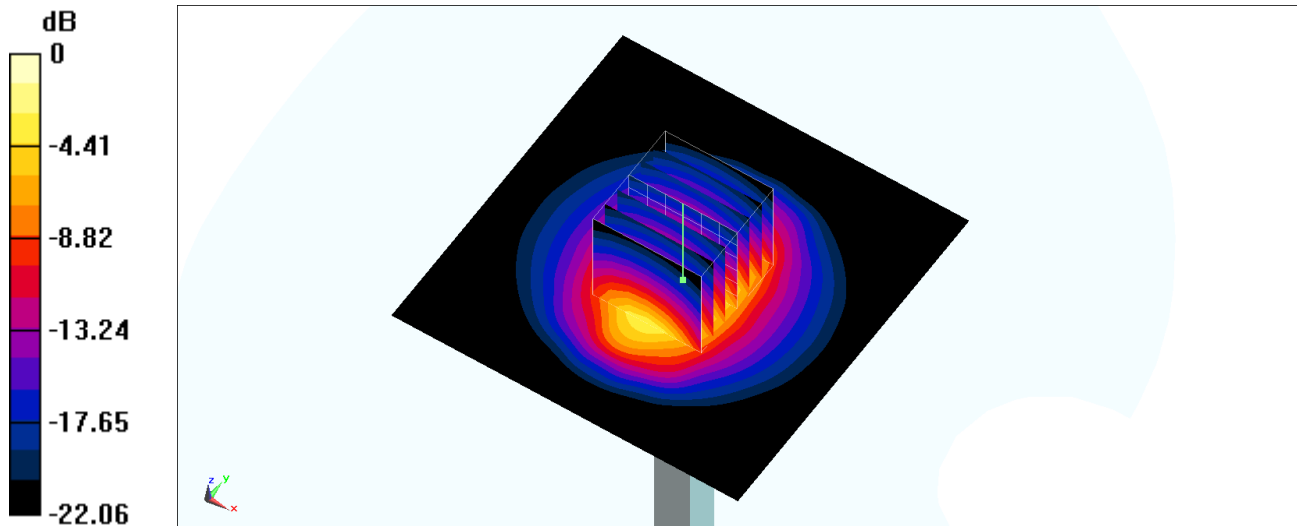
Pin=250mW/Zoom Scan (7x7x7)/Cube 0: Measurement grid: dx=5mm, dy=5mm, dz=5mm

Reference Value = 113.5 V/m; Power Drift = 0.09 dB

Peak SAR (extrapolated) = 28.3 W/kg

SAR(1 g) = 13.4 W/kg; SAR(10 g) = 6.01 W/kg

Maximum value of SAR (measured) = 20.8 W/kg



0 dB = 20.8 W/kg = 13.18 dBW/kg

System Check_Head_2600MHz

DUT: D2600V2-1078

Communication System: CW ; Frequency: 2600 MHz;Duty Cycle: 1:1

Medium: HSL_2600_211129 Medium parameters used: $f = 2600$ MHz; $\sigma = 1.899$ S/m; $\epsilon_r = 38.674$; $\rho = 1000$ kg/m³

Ambient Temperature : 23.5 °C ; Liquid Temperature : 22.5 °C

DASY5 Configuration:

- Probe: ES3DV3 - SN3270; ConvF(4.51, 4.51, 4.51) @ 2600 MHz; Calibrated: 2021/9/21
- Sensor-Surface: 3mm (Mechanical Surface Detection)
- Electronics: DAE4 Sn316; Calibrated: 2021/1/19
- Phantom: SAM_Left; Type: QD000P40CD; Serial: TP:1684
- Measurement SW: DASY52, Version 52.10 (4);SEMCAD X Version 14.6.14 (7483)

Pin=50mW/Area Scan (71x71x1): Interpolated grid: dx=1.200 mm, dy=1.200 mm

Maximum value of SAR (interpolated) = 4.28 W/kg

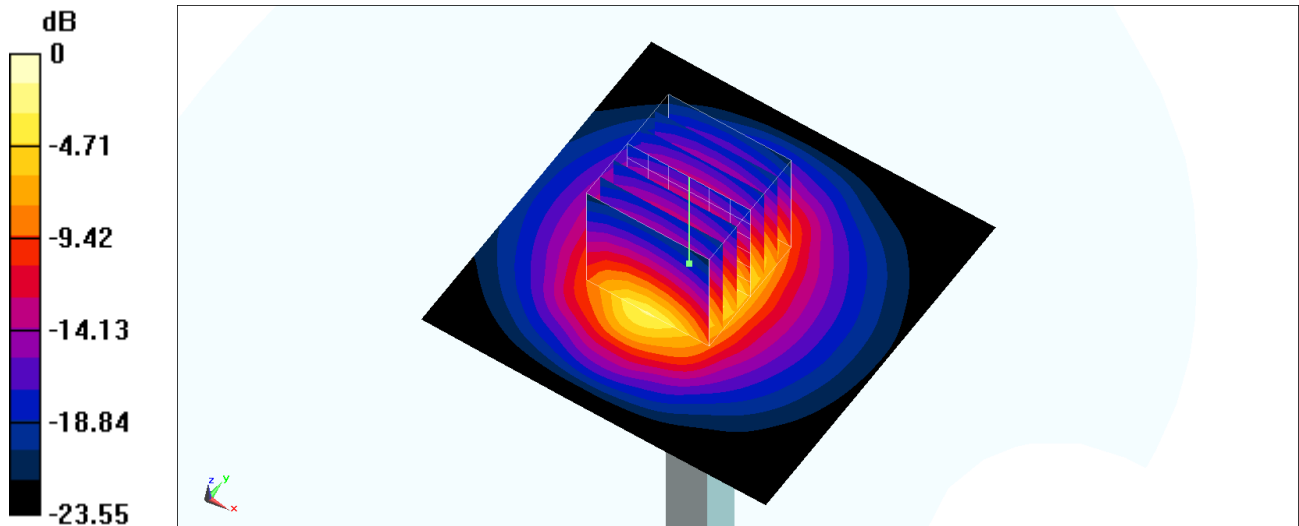
Pin=50mW/Zoom Scan (7x7x7)/Cube 0: Measurement grid: dx=5mm, dy=5mm, dz=5mm

Reference Value = 43.88 V/m; Power Drift = 0.07 dB

Peak SAR (extrapolated) = 6.35 W/kg

SAR(1 g) = 3.05 W/kg; SAR(10 g) = 1.38 W/kg

Maximum value of SAR (measured) = 4.08 W/kg



0 dB = 4.08 W/kg = 6.11 dBW/kg

System Check_Head_2600MHz

DUT: D2600V2-1078

Communication System: CW ; Frequency: 2600 MHz;Duty Cycle: 1:1

Medium: HSL_2600_211202 Medium parameters used: $f = 2600$ MHz; $\sigma = 1.993$ S/m; $\epsilon_r = 38.368$; $\rho = 1000$ kg/m³

Ambient Temperature : 23.4 °C ; Liquid Temperature : 22.4 °C

DASY5 Configuration:

- Probe: EX3DV4 - SN3728; ConvF(7.15, 7.15, 7.15) @ 2600 MHz; Calibrated: 2021/2/23
- Sensor-Surface: 1.4mm (Mechanical Surface Detection)
- Electronics: DAE4 Sn1424; Calibrated: 2021/1/19
- Phantom: SAM_Left; Type: SAM; Serial: 1796
- Measurement SW: DASY52, Version 52.10 (4);SEMCAD X Version 14.6.14 (7501)

Pin=50mW/Area Scan (71x71x1): Interpolated grid: dx=1.200 mm, dy=1.200 mm

Maximum value of SAR (interpolated) = 4.80 W/kg

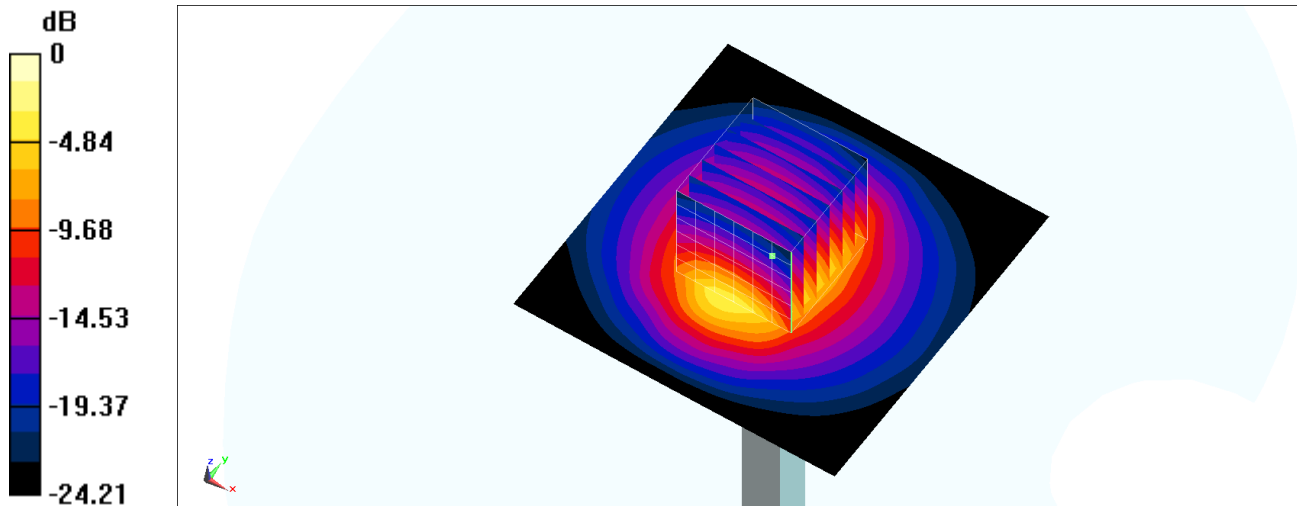
Pin=50mW/Zoom Scan (7x7x7)/Cube 0: Measurement grid: dx=5mm, dy=5mm, dz=5mm

Reference Value = 48.15 V/m; Power Drift = 0.17 dB

Peak SAR (extrapolated) = 5.74 W/kg

SAR(1 g) = 2.78 W/kg; SAR(10 g) = 1.26 W/kg

Maximum value of SAR (measured) = 4.68 W/kg



0 dB = 4.68 W/kg = 6.70 dBW/kg

System Check_Head_2600MHz

DUT: D2600V2-1078

Communication System: CW; Frequency: 2600 MHz; Duty Cycle: 1:1

Medium: HSL_2600_211209 Medium parameters used: $f = 2600$ MHz; $\sigma = 1.92$ S/m; $\epsilon_r = 37.866$; $\rho = 1000$ kg/m³

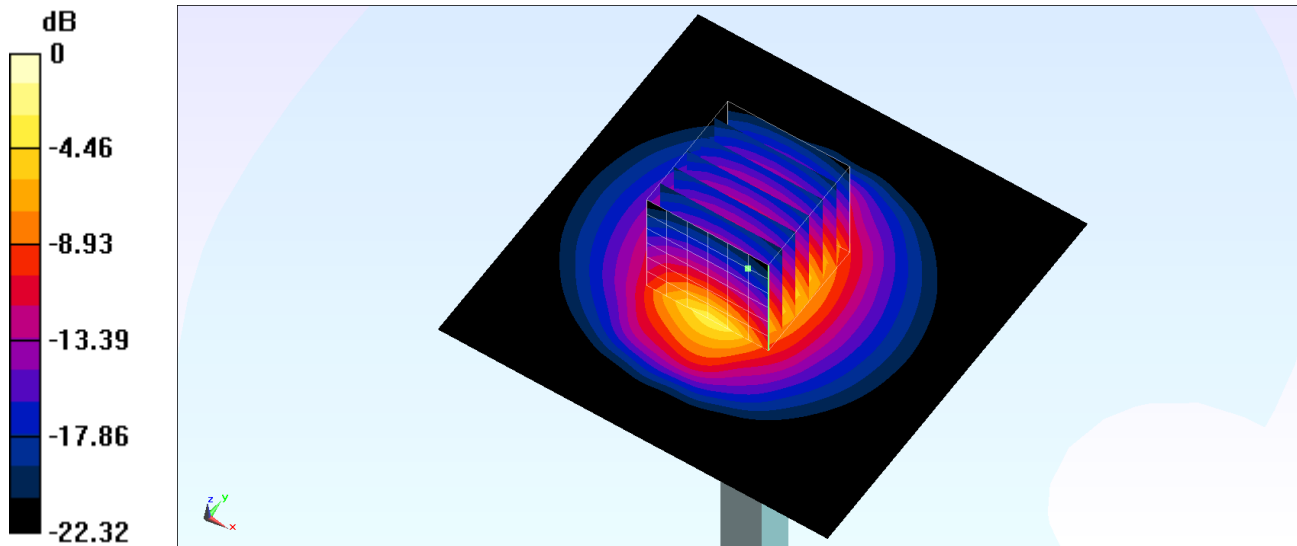
Ambient Temperature : 23.7 °C; Liquid Temperature : 22.7 °C

DASY5 Configuration:

- Probe: EX3DV4 - SN7625; ConvF(7.39, 7.39, 7.39) @ 2600 MHz; Calibrated: 2021/1/19
- Sensor-Surface: 1.4mm (Mechanical Surface Detection)
- Electronics: DAE4 Sn1512; Calibrated: 2021/2/11
- Phantom: SAM-Middle; Type: SAM; Serial: TP-1503
- Measurement SW: DASY52, Version 52.10 (4); SEMCAD X Version 14.6.14 (7483)

Pin=250mW/Area Scan (81x81x1): Interpolated grid: dx=1.200 mm, dy=1.200 mm
Maximum value of SAR (interpolated) = 23.6 W/kg

Pin=250mW/Zoom Scan (7x7x7)/Cube 0: Measurement grid: dx=5mm, dy=5mm, dz=5mm
Reference Value = 111.5 V/m; Power Drift = 0.18 dB
Peak SAR (extrapolated) = 30.3 W/kg
SAR(1 g) = 14.5 W/kg; SAR(10 g) = 6.6 W/kg
Maximum value of SAR (measured) = 24.5 W/kg



0 dB = 24.5 W/kg = 13.89 dBW/kg

System Check_Head_2600MHz

DUT: D2600V2-1008

Communication System: CW; Frequency: 2600 MHz; Duty Cycle: 1:1

Medium: HSL_2600_211217 Medium parameters used: $f = 2600$ MHz; $\sigma = 1.979$ S/m; $\epsilon_r = 39.366$; $\rho = 1000$ kg/m³

Ambient Temperature : 23.5 °C; Liquid Temperature : 22.5 °C

DASY5 Configuration:

- Probe: EX3DV4 - SN7625; ConvF(7.39, 7.39, 7.39) @ 2600 MHz; Calibrated: 2021/1/19
- Sensor-Surface: 1.4mm (Mechanical Surface Detection)
- Electronics: DAE4 Sn1512; Calibrated: 2021/2/11
- Phantom: SAM-Middle; Type: SAM; Serial: TP-1503
- Measurement SW: DASY52, Version 52.10 (4); SEMCAD X Version 14.6.14 (7483)

Pin=50mW/Area Scan (81x81x1): Interpolated grid: dx=1.200 mm, dy=1.200 mm

Maximum value of SAR (interpolated) = 5.30 W/kg

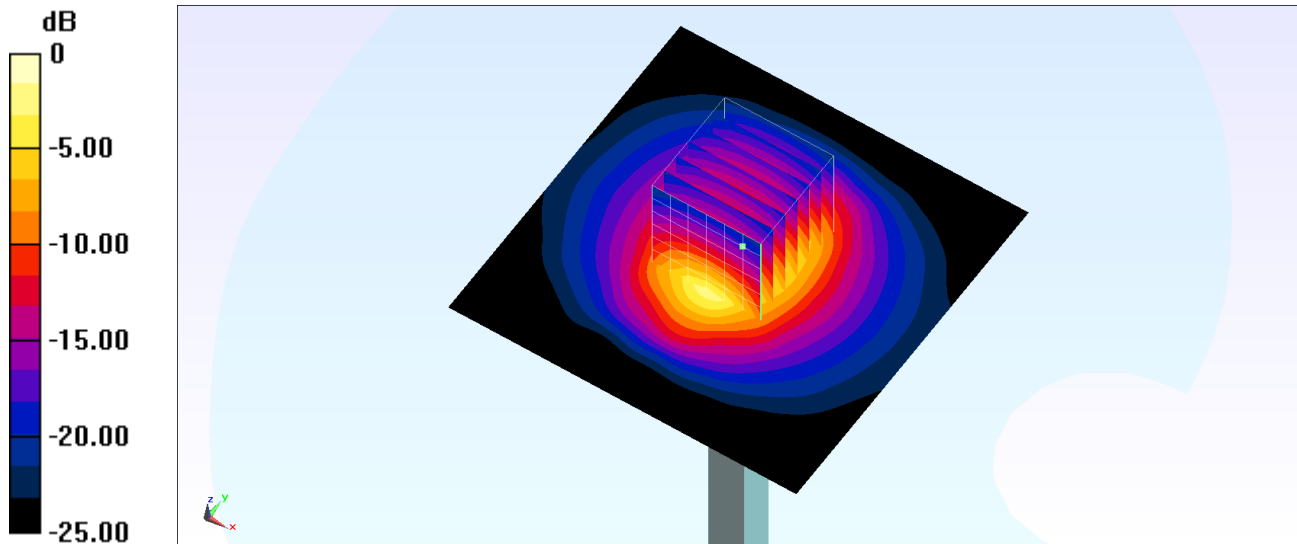
Pin=50mW/Zoom Scan (7x7x7)/Cube 0: Measurement grid: dx=5mm, dy=5mm, dz=5mm

Reference Value = 53.77 V/m; Power Drift = -0.08 dB

Peak SAR (extrapolated) = 6.45 W/kg

SAR(1 g) = 3.12 W/kg; SAR(10 g) = 1.39 W/kg

Maximum value of SAR (measured) = 5.19 W/kg



0 dB = 5.19 W/kg = 7.15 dBW/kg

System Check_Head_2600MHz

DUT: D2600V2-1008

Communication System: CW; Frequency: 2600 MHz; Duty Cycle: 1:1

Medium: HSL_2600_211218 Medium parameters used: $f = 2600$ MHz; $\sigma = 1.985$ S/m; $\epsilon_r = 39.04$; $\rho = 1000$ kg/m³

Ambient Temperature : 23.2 °C; Liquid Temperature : 22.2 °C

DASY5 Configuration:

- Probe: EX3DV4 - SN7625; ConvF(7.39, 7.39, 7.39) @ 2600 MHz; Calibrated: 2021/1/19
- Sensor-Surface: 1.4mm (Mechanical Surface Detection)
- Electronics: DAE4 Sn1512; Calibrated: 2021/2/11
- Phantom: SAM-Middle; Type: SAM; Serial: TP-1503
- Measurement SW: DASY52, Version 52.10 (4); SEMCAD X Version 14.6.14 (7483)

Pin=50mW/Area Scan (81x81x1): Interpolated grid: dx=1.200 mm, dy=1.200 mm

Maximum value of SAR (interpolated) = 5.17 W/kg

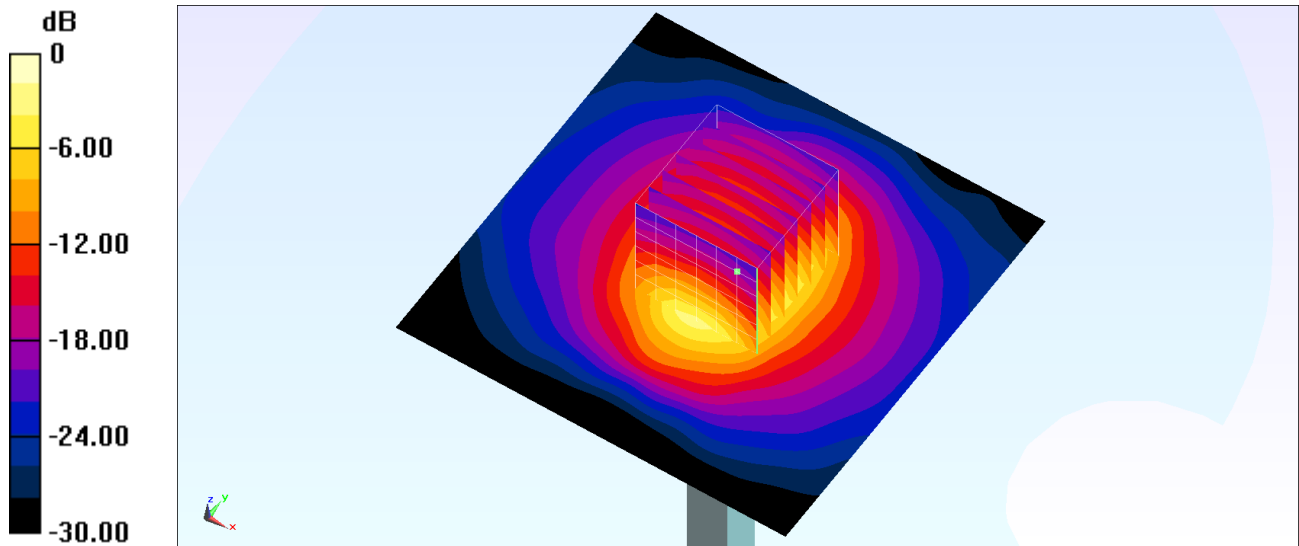
Pin=50mW/Zoom Scan (7x7x7)/Cube 0: Measurement grid: dx=5mm, dy=5mm, dz=5mm

Reference Value = 51.61 V/m; Power Drift = -0.16 dB

Peak SAR (extrapolated) = 6.35 W/kg

SAR(1 g) = 3.13 W/kg; SAR(10 g) = 1.41 W/kg

Maximum value of SAR (measured) = 5.21 W/kg



0 dB = 5.21 W/kg = 7.17 dBW/kg

System Check_Head_2600MHz

DUT: D2600V2-1078

Communication System: CW; Frequency: 2600 MHz; Duty Cycle: 1:1

Medium: HSL_2600_211227 Medium parameters used: $f = 2600$ MHz; $\sigma = 1.978$ S/m; $\epsilon_r = 38.963$; $\rho = 1000$ kg/m³

Ambient Temperature : 23.5 °C; Liquid Temperature : 22.5 °C

DASY5 Configuration:

- Probe: EX3DV4 - SN7625; ConvF(7.39, 7.39, 7.39) @ 2600 MHz; Calibrated: 2021/1/19
- Sensor-Surface: 1.4mm (Mechanical Surface Detection)
- Electronics: DAE4 Sn1512; Calibrated: 2021/2/11
- Phantom: SAM-Middle; Type: SAM; Serial: TP-1503
- Measurement SW: DASY52, Version 52.10 (4); SEMCAD X Version 14.6.14 (7483)

Pin=50mW/Area Scan (81x81x1): Interpolated grid: dx=1.200 mm, dy=1.200 mm

Maximum value of SAR (interpolated) = 4.35 W/kg

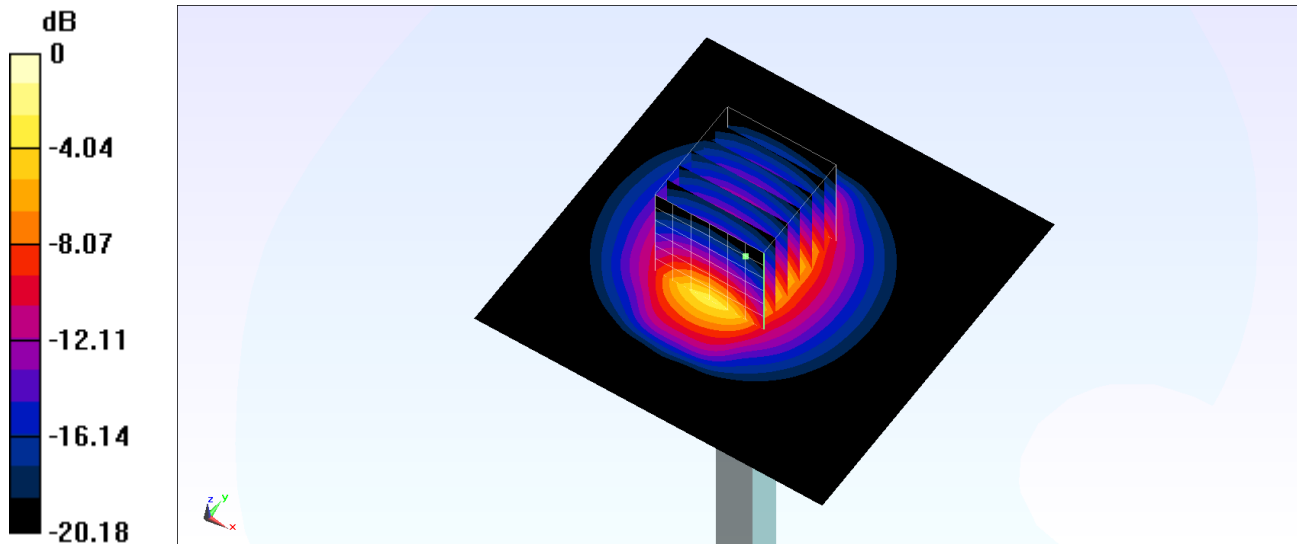
Pin=50mW/Zoom Scan (7x7x7)/Cube 0: Measurement grid: dx=5mm, dy=5mm, dz=5mm

Reference Value = 41.50 V/m; Power Drift = 0.05 dB

Peak SAR (extrapolated) = 5.76 W/kg

SAR(1 g) = 2.64 W/kg; SAR(10 g) = 1.19 W/kg

Maximum value of SAR (measured) = 4.56 W/kg



0 dB = 4.35 W/kg = 6.38 dBW/kg

System Check_Head_3500MHz

DUT: D3500V2-1014

Communication System: CW; Frequency: 3500 MHz; Duty Cycle: 1:1

Medium: HSL_3500_211202 Medium parameters used: $f = 3500$ MHz; $\sigma = 2.93$ S/m; $\epsilon_r = 37.497$; $\rho = 1000$ kg/m³

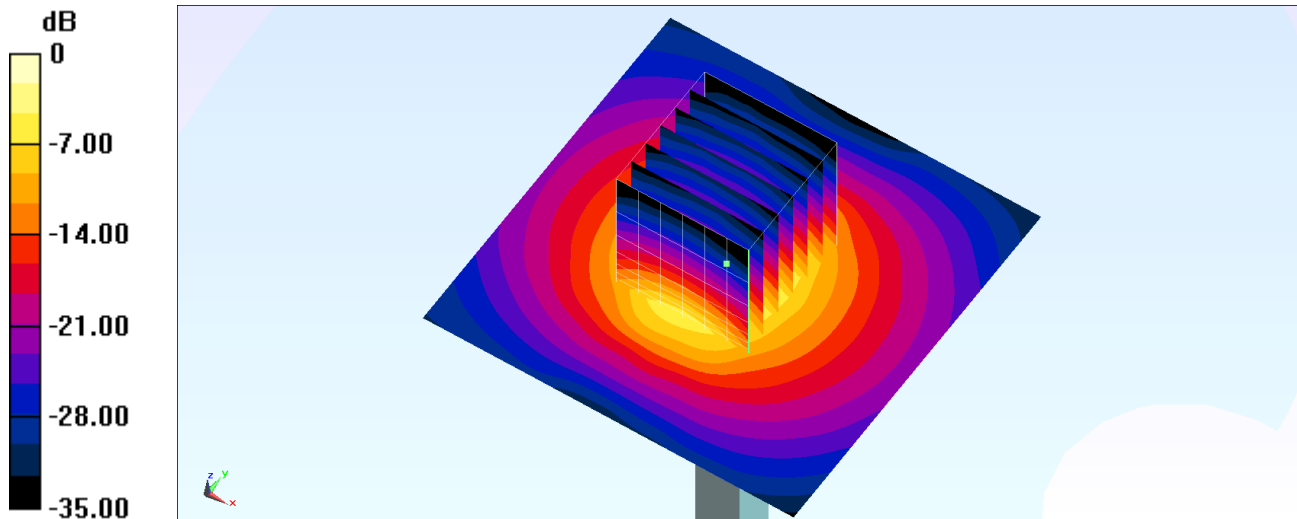
Ambient Temperature : 23.1 °C; Liquid Temperature : 22.1 °C

DASY5 Configuration:

- Probe: EX3DV4 - SN7625; ConvF(7, 7, 7) @ 3500 MHz; Calibrated: 2021/1/19
- Sensor-Surface: 1.4mm (Mechanical Surface Detection)
- Electronics: DAE4 Sn1512; Calibrated: 2021/2/11
- Phantom: SAM_Left; Type: SAM; Serial: TP:1479
- Measurement SW: DASY52, Version 52.10 (4); SEMCAD X Version 14.6.14 (7483)

Pin=100mW/Area Scan (71x71x1): Interpolated grid: dx=1.200 mm, dy=1.200 mm
Maximum value of SAR (interpolated) = 12.7 W/kg

Pin=100mW/Zoom Scan (7x7x8)/Cube 0: Measurement grid: dx=5mm, dy=5mm, dz=1.4mm
Reference Value = 69.59 V/m; Power Drift = 0.16 dB
Peak SAR (extrapolated) = 18.0 W/kg
SAR(1 g) = 6.33 W/kg; SAR(10 g) = 2.36 W/kg
Maximum value of SAR (measured) = 12.9 W/kg



0 dB = 12.9 W/kg = 11.11 dBW/kg

System Check_Head_3500MHz

DUT: D3500V2-1014

Communication System: CW; Frequency: 3500 MHz; Duty Cycle: 1:1

Medium: HSL_3500_211203 Medium parameters used: $f = 3500$ MHz; $\sigma = 2.925$ S/m; $\epsilon_r = 37.467$; $\rho = 1000$ kg/m³

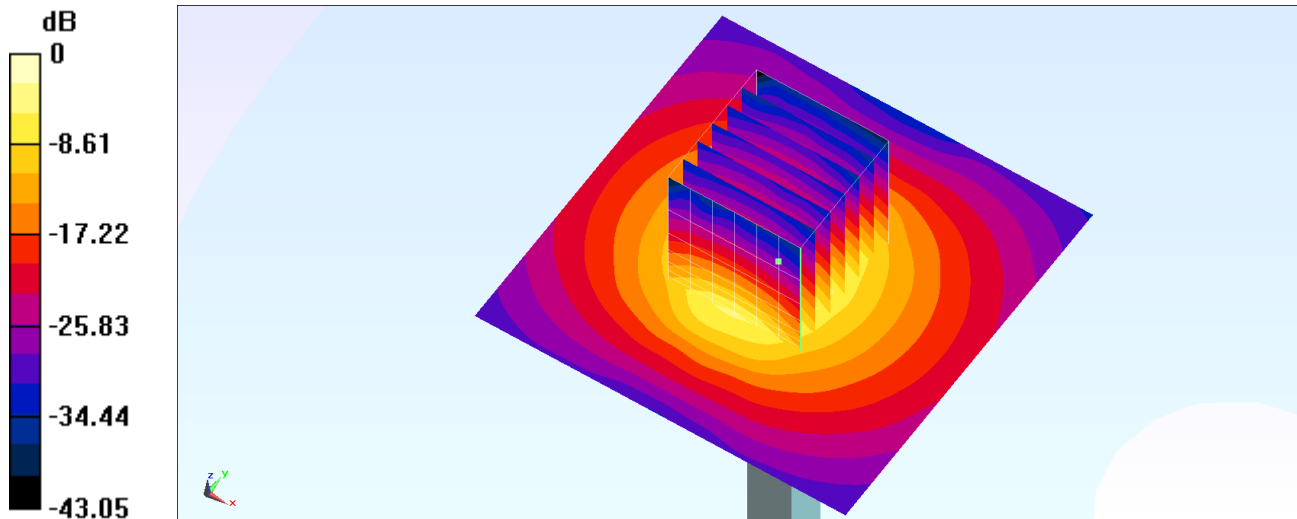
Ambient Temperature : 23.6 °C; Liquid Temperature : 22.6 °C

DASY5 Configuration:

- Probe: EX3DV4 - SN7625; ConvF(7, 7, 7) @ 3500 MHz; Calibrated: 2021/1/19
- Sensor-Surface: 1.4mm (Mechanical Surface Detection)
- Electronics: DAE4 Sn1512; Calibrated: 2021/2/11
- Phantom: SAM_Left; Type: SAM; Serial: TP:1479
- Measurement SW: DASY52, Version 52.10 (4); SEMCAD X Version 14.6.14 (7483)

Pin=100mW/Area Scan (71x71x1): Interpolated grid: dx=1.200 mm, dy=1.200 mm
Maximum value of SAR (interpolated) = 13.2 W/kg

Pin=100mW/Zoom Scan (7x7x8)/Cube 0: Measurement grid: dx=5mm, dy=5mm, dz=1.4mm
Reference Value = 71.47 V/m; Power Drift = 0.06 dB
Peak SAR (extrapolated) = 18.5 W/kg
SAR(1 g) = 6.58 W/kg; SAR(10 g) = 2.45 W/kg
Maximum value of SAR (measured) = 13.3 W/kg



0 dB = 13.3 W/kg = 11.24 dBW/kg

System Check_Head_3500MHz

DUT: D3500V2-1014

Communication System: CW; Frequency: 3500 MHz; Duty Cycle: 1:1

Medium: HSL_3500_211204 Medium parameters used: $f = 3500$ MHz; $\sigma = 3.011$ S/m; $\epsilon_r = 38.533$; $\rho = 1000$ kg/m³

Ambient Temperature : 23.6 °C; Liquid Temperature : 22.6 °C

DASY5 Configuration:

- Probe: EX3DV4 - SN3976; ConvF(7.07, 7.07, 7.07) @ 3500 MHz; Calibrated: 2021/1/27
- Sensor-Surface: 1.4mm (Mechanical Surface Detection)
- Electronics: DAE3 Sn577; Calibrated: 2021/9/15
- Phantom: SAM_Right; Type: QD000P40CD; Serial: TP:1681
- Measurement SW: DASY52, Version 52.10 (4); SEMCAD X Version 14.6.14 (7501)

Pin=50mW/Area Scan (71x71x1): Interpolated grid: dx=1.200 mm, dy=1.200 mm

Maximum value of SAR (interpolated) = 6.30 W/kg

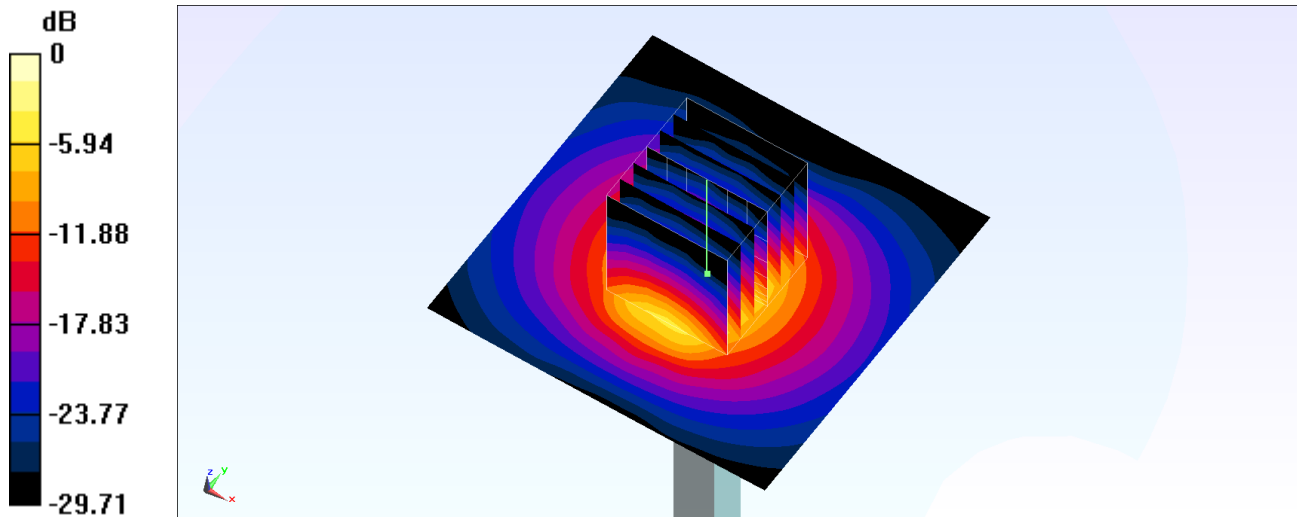
Pin=50mW/Zoom Scan (7x7x8)/Cube 0: Measurement grid: dx=5mm, dy=5mm, dz=1.4mm

Reference Value = 49.28 V/m; Power Drift = -0.12 dB

Peak SAR (extrapolated) = 8.71 W/kg

SAR(1 g) = 3.38 W/kg; SAR(10 g) = 1.28 W/kg

Maximum value of SAR (measured) = 6.55 W/kg



System Check_Head_3500MHz

DUT: D3500V2-1014

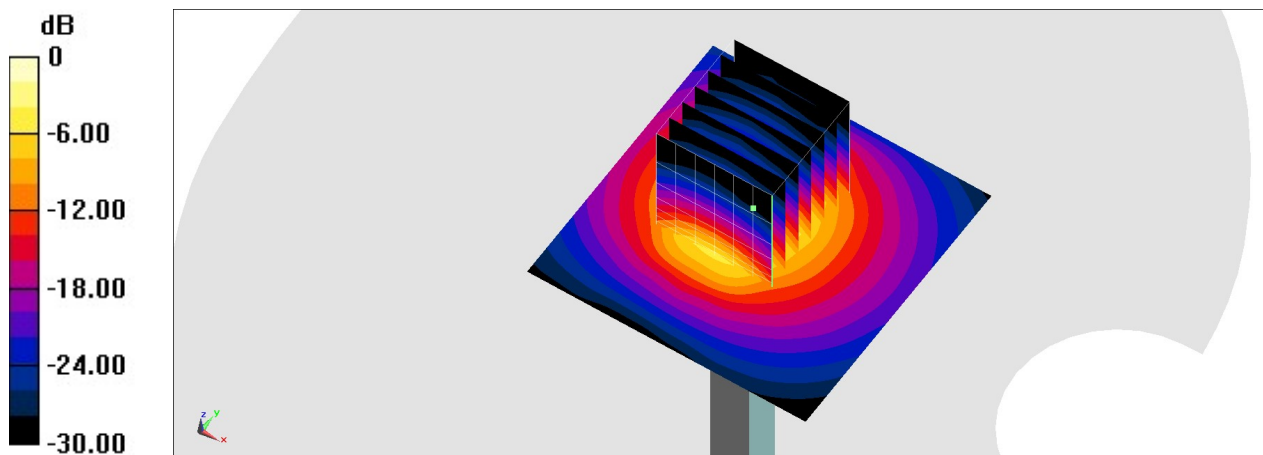
Communication System: CW; Frequency: 3500 MHz; Duty Cycle: 1:1
Medium: HSL_3500_211206 Medium parameters used: $f = 3500$ MHz; $\sigma = 2.964$ S/m; $\epsilon_r = 37.921$;
 $\rho = 1000$ kg/m³
Ambient Temperature : 23.4 °C ; Liquid Temperature : 22.4 °C

DASY5 Configuration:

- Probe: EX3DV4 - SN3931; ConvF(7.14, 7.14, 7.14) @ 3500 MHz; Calibrated: 2021/10/21
- Sensor-Surface: 1.4mm (Mechanical Surface Detection)
- Electronics: DAE4 Sn699; Calibrated: 2021/2/16
- Phantom: Twin-SAM V5.0 (30deg probe tilt)_Left; Type: QD 000 P40 CD; Serial: 1479
- Measurement SW: DASY52, Version 52.10 (4); SEMCAD X Version 14.6.14 (7501)

Pin=100mW/Area Scan (61x61x1): Interpolated grid: dx=1.200 mm, dy=1.200 mm
Maximum value of SAR (interpolated) = 14.2 W/kg

Pin=100mW/Zoom Scan (7x7x8)/Cube 0: Measurement grid: dx=5mm, dy=5mm, dz=1.4mm
Reference Value = 65.72 V/m; Power Drift = -0.05 dB
Peak SAR (extrapolated) = 19.5 W/kg
SAR(1 g) = 6.96 W/kg; SAR(10 g) = 2.59 W/kg
Maximum value of SAR (measured) = 14.0 W/kg



0 dB = 14.0 W/kg = 11.46 dBW/kg

System Check_Head_3500MHz

DUT: D3500V2-1014

Communication System: CW; Frequency: 3500 MHz; Duty Cycle: 1:1

Medium: HSL_3500_211207 Medium parameters used: $f = 3500$ MHz; $\sigma = 2.994$ S/m; $\epsilon_r = 38.236$;

$\rho = 1000$ kg/m³

Ambient Temperature : 23.7 °C ; Liquid Temperature : 22.7 °C

DASY5 Configuration:

- Probe: EX3DV4 - SN3931; ConvF(7.14, 7.14, 7.14) @ 3500 MHz; Calibrated: 2021/10/21
- Sensor-Surface: 1.4mm (Mechanical Surface Detection)
- Electronics: DAE4 Sn699; Calibrated: 2021/2/16
- Phantom: Twin-SAM V5.0 (30deg probe tilt)_Left; Type: QD 000 P40 CD; Serial: 1479
- Measurement SW: DASY52, Version 52.10 (4); SEMCAD X Version 14.6.14 (7501)

Pin=50mW/Area Scan (61x61x1): Interpolated grid: dx=1.200 mm, dy=1.200 mm

Maximum value of SAR (interpolated) = 6.32 W/kg

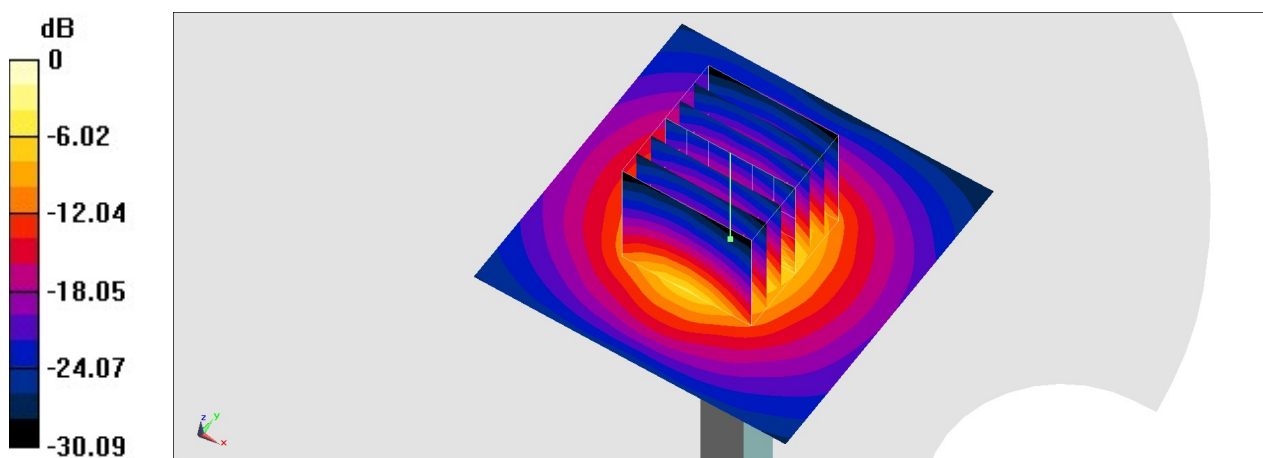
Pin=50mW/Zoom Scan (7x7x7)/Cube 0: Measurement grid: dx=5mm, dy=5mm, dz=1.4mm

Reference Value = 47.89 V/m; Power Drift = 0.06 dB

Peak SAR (extrapolated) = 9.95 W/kg

SAR(1 g) = 3.6 W/kg; SAR(10 g) = 1.36 W/kg

Maximum value of SAR (measured) = 7.15 W/kg



0 dB = 7.15 W/kg = 8.54 dBW/kg

System Check_Head_3500MHz

DUT: D3500V2-1014

Communication System: CW; Frequency: 3500 MHz; Duty Cycle: 1:1

Medium: HSL_3500_211212 Medium parameters used: $f = 3500$ MHz; $\sigma = 2.919$ S/m; $\epsilon_r = 37.437$; $\rho = 1000$ kg/m³

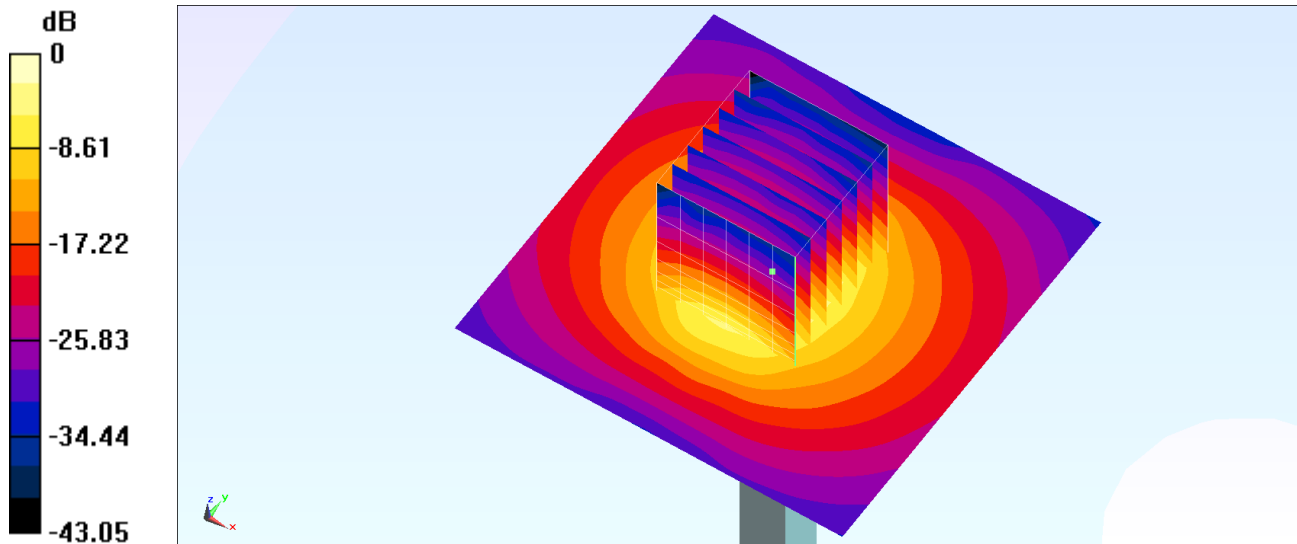
Ambient Temperature : 23.8 °C; Liquid Temperature : 22.8 °C

DASY5 Configuration:

- Probe: EX3DV4 - SN7625; ConvF(7, 7, 7) @ 3500 MHz; Calibrated: 2021/1/19
- Sensor-Surface: 1.4mm (Mechanical Surface Detection)
- Electronics: DAE4 Sn1512; Calibrated: 2021/2/11
- Phantom: SAM_Left; Type: SAM; Serial: TP:1479
- Measurement SW: DASY52, Version 52.10 (4); SEMCAD X Version 14.6.14 (7483)

Pin=100mW/Area Scan (71x71x1): Interpolated grid: dx=1.200 mm, dy=1.200 mm
Maximum value of SAR (interpolated) = 13.2 W/kg

Pin=100mW/Zoom Scan (7x7x8)/Cube 0: Measurement grid: dx=5mm, dy=5mm, dz=1.4mm
Reference Value = 71.47 V/m; Power Drift = 0.06 dB
Peak SAR (extrapolated) = 18.5 W/kg
SAR(1 g) = 6.57 W/kg; SAR(10 g) = 2.45 W/kg
Maximum value of SAR (measured) = 13.3 W/kg



0 dB = 13.3 W/kg = 11.24 dBW/kg

System Check_Head_3500MHz

DUT: D3500V2-1014

Communication System: CW; Frequency: 3500 MHz; Duty Cycle: 1:1

Medium: HSL_3500_211226 Medium parameters used: $f = 3500$ MHz; $\sigma = 2.901$ S/m; $\epsilon_r = 37.347$; $\rho = 1000$ kg/m³

Ambient Temperature : 23.6 °C ; Liquid Temperature : 22.6 °C

DASY5 Configuration:

- Probe: EX3DV4 - SN7625; ConvF(7, 7, 7) @ 3500 MHz; Calibrated: 2021/1/19
- Sensor-Surface: 1.4mm (Mechanical Surface Detection)
- Electronics: DAE4 Sn1512; Calibrated: 2021/2/11
- Phantom: SAM_Left; Type: SAM; Serial: TP:1479
- Measurement SW: DASY52, Version 52.10 (4); SEMCAD X Version 14.6.14 (7483)

Pin=100mW/Area Scan (71x71x1): Interpolated grid: dx=1.200 mm, dy=1.200 mm

Maximum value of SAR (interpolated) = 13.1 W/kg

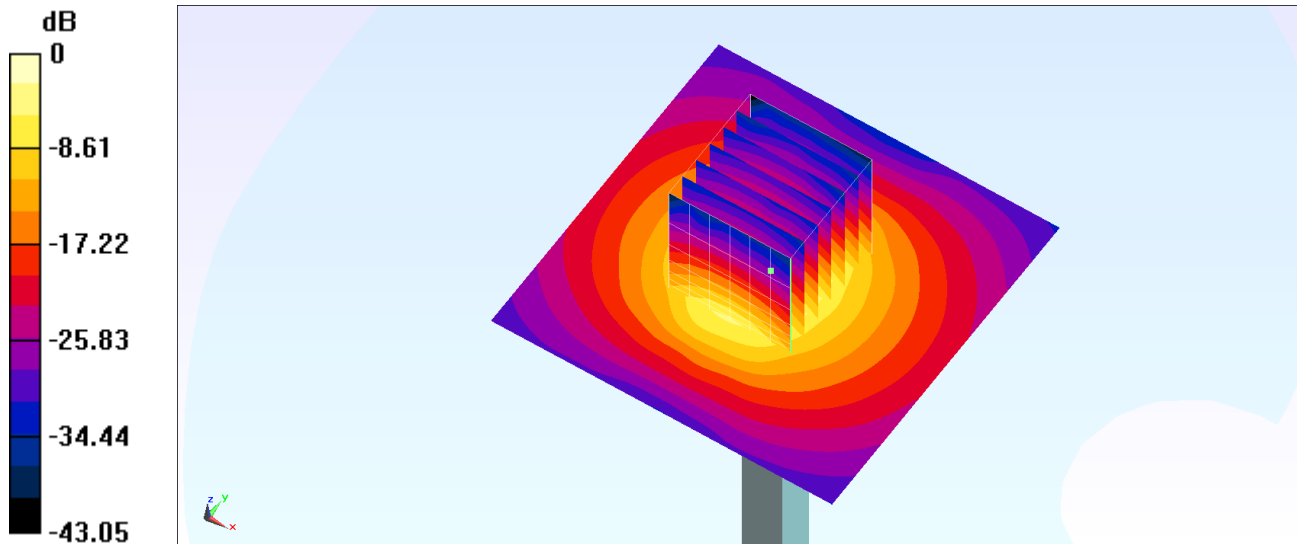
Pin=100mW/Zoom Scan (7x7x8)/Cube 0: Measurement grid: dx=5mm, dy=5mm, dz=1.4mm

Reference Value = 71.47 V/m; Power Drift = 0.06 dB

Peak SAR (extrapolated) = 18.4 W/kg

SAR(1 g) = 6.53 W/kg; SAR(10 g) = 2.43 W/kg

Maximum value of SAR (measured) = 13.2 W/kg



0 dB = 13.2 W/kg = 11.21 dBW/kg

System Check_Head_3700MHz

DUT: D3700V2-1006

Communication System: CW; Frequency: 3700 MHz; Duty Cycle: 1:1

Medium: HSL_3700_211204 Medium parameters used: $f = 3700$ MHz; $\sigma = 3.17$ S/m; $\epsilon_r = 38.295$; $\rho = 1000$ kg/m³

Ambient Temperature : 23.6 °C; Liquid Temperature : 22.6 °C

DASY5 Configuration:

- Probe: EX3DV4 - SN3976; ConvF(6.98, 6.98, 6.98) @ 3700 MHz; Calibrated: 2021/1/27
- Sensor-Surface: 1.4mm (Mechanical Surface Detection)
- Electronics: DAE3 Sn577; Calibrated: 2021/9/15
- Phantom: SAM_Right; Type: QD000P40CD; Serial: TP:1681
- Measurement SW: DASY52, Version 52.10 (4); SEMCAD X Version 14.6.14 (7501)

Pin=50mW/Area Scan (71x71x1): Interpolated grid: dx=1.200 mm, dy=1.200 mm

Maximum value of SAR (interpolated) = 6.53 W/kg

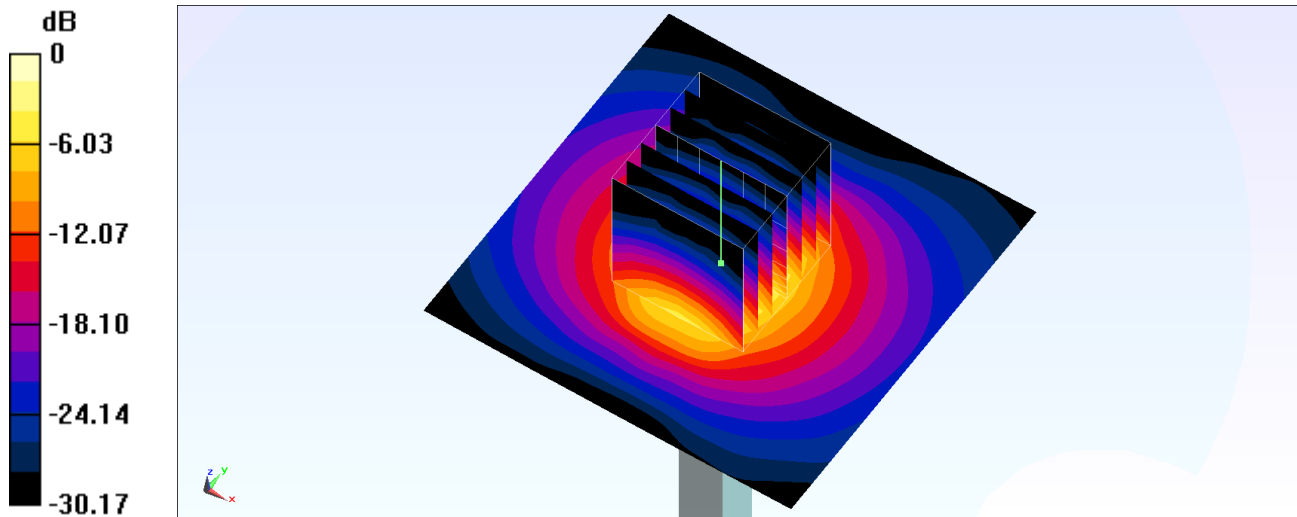
Pin=50mW/Zoom Scan (7x7x8)/Cube 0: Measurement grid: dx=5mm, dy=5mm, dz=1.4mm

Reference Value = 48.15 V/m; Power Drift = 0.01 dB

Peak SAR (extrapolated) = 9.00 W/kg

SAR(1 g) = 3.36 W/kg; SAR(10 g) = 1.24 W/kg

Maximum value of SAR (measured) = 6.66 W/kg



0 dB = 6.66 W/kg = 8.23 dBW/kg

System Check_Head_3700MHz

DUT: D3700V2-1006

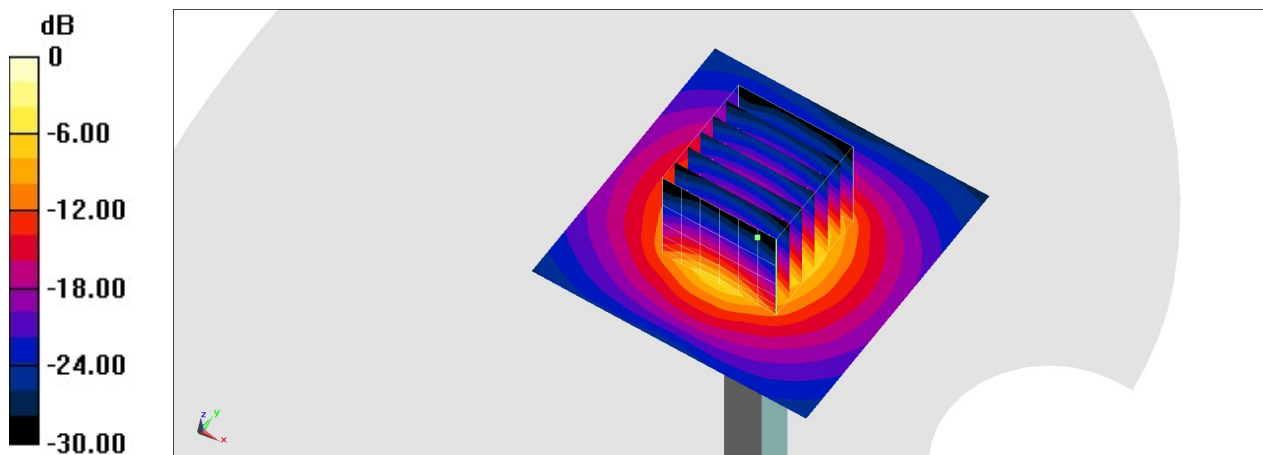
Communication System: CW; Frequency: 3700 MHz; Duty Cycle: 1:1
Medium: HSL_3700_211206 Medium parameters used: $f = 3700 \text{ MHz}$; $\sigma = 3.124 \text{ S/m}$; $\epsilon_r = 37.351$;
 $\rho = 1000 \text{ kg/m}^3$
Ambient Temperature : $23.4 \text{ }^\circ\text{C}$; Liquid Temperature : $22.4 \text{ }^\circ\text{C}$

DASY5 Configuration:

- Probe: EX3DV4 - SN3931; ConvF(7.03, 7.03, 7.03) @ 3700 MHz; Calibrated: 2021/10/21
- Sensor-Surface: 1.4mm (Mechanical Surface Detection)
- Electronics: DAE4 Sn699; Calibrated: 2021/2/16
- Phantom: Twin-SAM V5.0 (30deg probe tilt)_Left; Type: QD 000 P40 CD; Serial: 1479
- Measurement SW: DASY52, Version 52.10 (4); SEMCAD X Version 14.6.14 (7501)

Pin=50mW/Area Scan (61x61x1): Interpolated grid: $dx=1.200 \text{ mm}$, $dy=1.200 \text{ mm}$
Maximum value of SAR (interpolated) = 6.77 W/kg

Pin=50mW/Zoom Scan (7x7x7)/Cube 0: Measurement grid: $dx=5\text{mm}$, $dy=5\text{mm}$, $dz=1.4\text{mm}$
Reference Value = 48.17 V/m ; Power Drift = 0.02 dB
Peak SAR (extrapolated) = 9.67 W/kg
SAR(1 g) = 3.33 W/kg ; SAR(10 g) = 1.22 W/kg
Maximum value of SAR (measured) = 6.82 W/kg



0 dB = $6.82 \text{ W/kg} = 8.34 \text{ dBW/kg}$

System Check_Head_3700MHz

DUT: D3700V2-1006

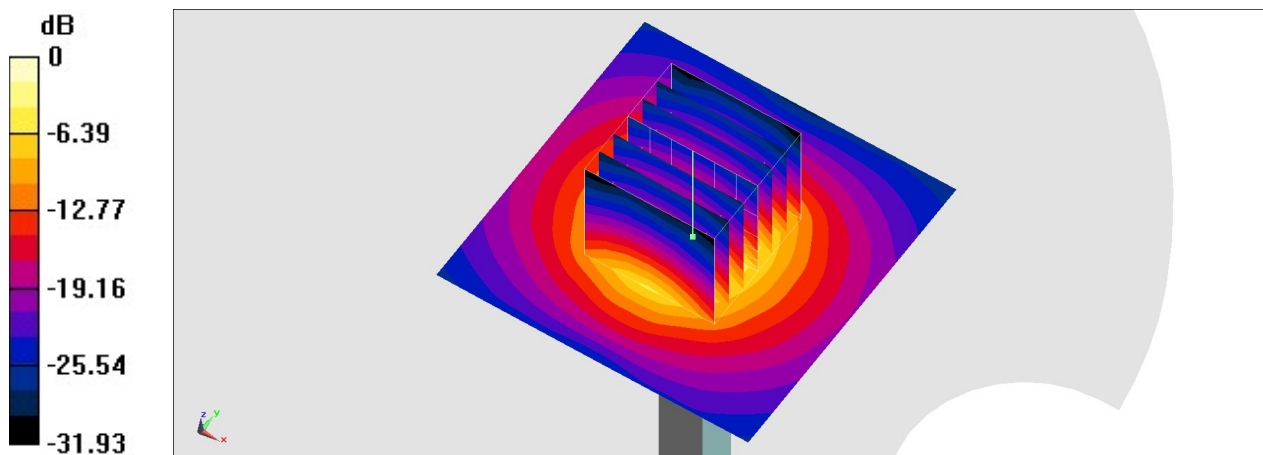
Communication System: CW; Frequency: 3700 MHz; Duty Cycle: 1:1
Medium: HSL_3700_211207 Medium parameters used: $f = 3700 \text{ MHz}$; $\sigma = 3.155 \text{ S/m}$; $\epsilon_r = 37.666$;
 $\rho = 1000 \text{ kg/m}^3$
Ambient Temperature : $23.7 \text{ }^\circ\text{C}$; Liquid Temperature : $22.7 \text{ }^\circ\text{C}$

DASY5 Configuration:

- Probe: EX3DV4 - SN3931; ConvF(7.03, 7.03, 7.03) @ 3700 MHz; Calibrated: 2021/10/21
- Sensor-Surface: 1.4mm (Mechanical Surface Detection)
- Electronics: DAE4 Sn699; Calibrated: 2021/2/16
- Phantom: Twin-SAM V5.0 (30deg probe tilt)_Left; Type: QD 000 P40 CD; Serial: 1479
- Measurement SW: DASY52, Version 52.10 (4); SEMCAD X Version 14.6.14 (7501)

Pin=50mW/Area Scan (61x61x1): Interpolated grid: $dx=1.200 \text{ mm}$, $dy=1.200 \text{ mm}$
Maximum value of SAR (interpolated) = 6.84 W/kg

Pin=50mW/Zoom Scan (7x7x7)/Cube 0: Measurement grid: $dx=5\text{mm}$, $dy=5\text{mm}$, $dz=1.4\text{mm}$
Reference Value = 48.17 V/m ; Power Drift = 0.08 dB
Peak SAR (extrapolated) = 9.77 W/kg
SAR(1 g) = 3.36 W/kg ; SAR(10 g) = 1.24 W/kg
Maximum value of SAR (measured) = 6.88 W/kg



0 dB = $6.88 \text{ W/kg} = 8.38 \text{ dBW/kg}$

System Check_Head_3700MHz

DUT: D3700V2-1006

Communication System: CW; Frequency: 3700 MHz; Duty Cycle: 1:1

Medium: HSL_3700_211212 Medium parameters used: $f = 3700$ MHz; $\sigma = 3.103$ S/m; $\epsilon_r = 37.138$; $\rho = 1000$ kg/m³

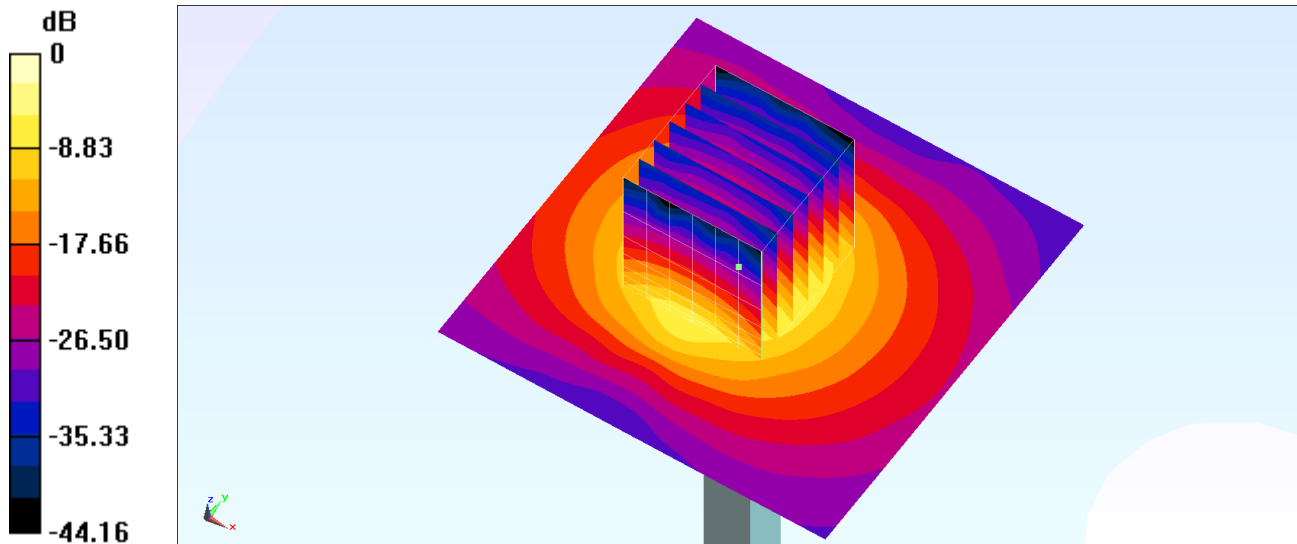
Ambient Temperature : 23.8 °C; Liquid Temperature : 22.8 °C

DASY5 Configuration:

- Probe: EX3DV4 - SN7625; ConvF(6.65, 6.65, 6.65) @ 3700 MHz; Calibrated: 2021/1/19
- Sensor-Surface: 1.4mm (Mechanical Surface Detection)
- Electronics: DAE4 Sn1512; Calibrated: 2021/2/11
- Phantom: SAM_Left; Type: SAM; Serial: TP:1479
- Measurement SW: DASY52, Version 52.10 (4); SEMCAD X Version 14.6.14 (7483)

Pin=100mW/Area Scan (71x71x1): Interpolated grid: dx=1.200 mm, dy=1.200 mm
Maximum value of SAR (interpolated) = 14.6 W/kg

Pin=100mW/Zoom Scan (7x7x8)/Cube 0: Measurement grid: dx=5mm, dy=5mm, dz=1.4mm
Reference Value = 62.14 V/m; Power Drift = 0.14 dB
Peak SAR (extrapolated) = 20.2 W/kg
SAR(1 g) = 6.84 W/kg; SAR(10 g) = 2.45 W/kg
Maximum value of SAR (measured) = 14.2 W/kg



0 dB = 14.2 W/kg = 11.52 dBW/kg

System Check_Head_3700MHz

DUT: D3700V2-1006

Communication System: CW; Frequency: 3700 MHz; Duty Cycle: 1:1

Medium: HSL_3700_211214 Medium parameters used: $f = 3700$ MHz; $\sigma = 3.095$ S/m; $\epsilon_r = 37.098$; $\rho = 1000$ kg/m³

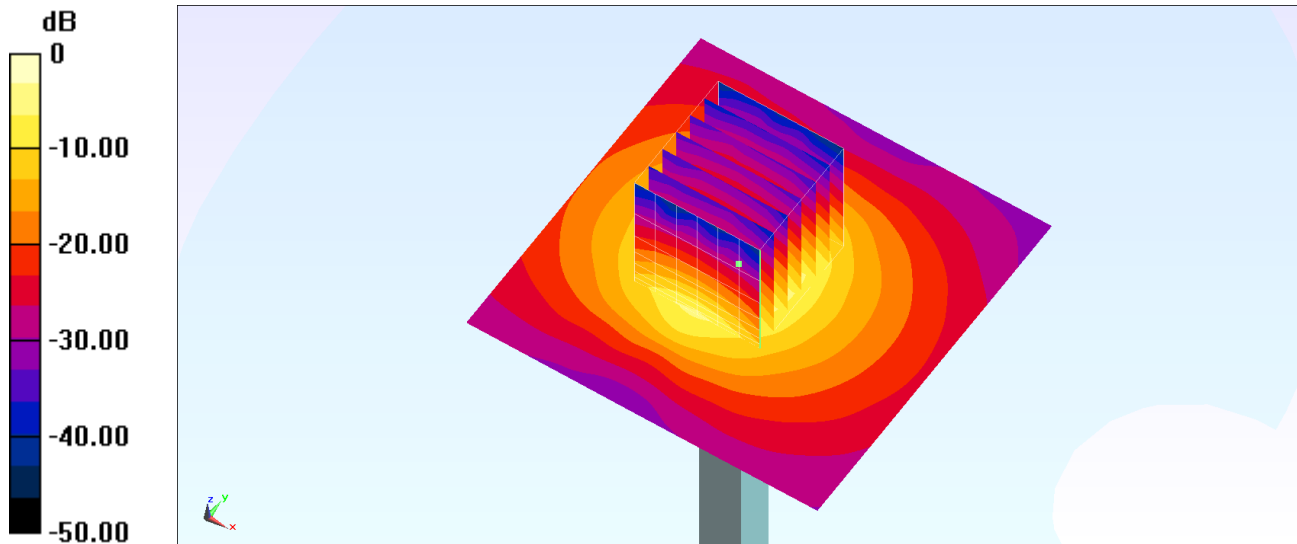
Ambient Temperature : 23.5 °C; Liquid Temperature : 22.5 °C

DASY5 Configuration:

- Probe: EX3DV4 - SN7625; ConvF(6.65, 6.65, 6.65) @ 3700 MHz; Calibrated: 2021/1/19
- Sensor-Surface: 1.4mm (Mechanical Surface Detection)
- Electronics: DAE4 Sn1512; Calibrated: 2021/2/11
- Phantom: SAM_Left; Type: SAM; Serial: TP:1479
- Measurement SW: DASY52, Version 52.10 (4); SEMCAD X Version 14.6.14 (7483)

Pin=100mW/Area Scan (71x71x1): Interpolated grid: dx=1.200 mm, dy=1.200 mm
Maximum value of SAR (interpolated) = 14.5 W/kg

Pin=100mW/Zoom Scan (7x7x8)/Cube 0: Measurement grid: dx=5mm, dy=5mm, dz=1.4mm
Reference Value = 62.14 V/m; Power Drift = 0.14 dB
Peak SAR (extrapolated) = 20.1 W/kg
SAR(1 g) = 6.82 W/kg; SAR(10 g) = 2.45 W/kg
Maximum value of SAR (measured) = 14.2 W/kg



0 dB = 14.5 W/kg = 11.61 dBW/kg

System Check_Head_3700MHz

DUT: D3700V2-1006

Communication System: CW; Frequency: 3700 MHz; Duty Cycle: 1:1

Medium: HSL_3700_211226 Medium parameters used: $f = 3700$ MHz; $\sigma = 3.084$ S/m; $\epsilon_r = 37.048$; $\rho = 1000$ kg/m³

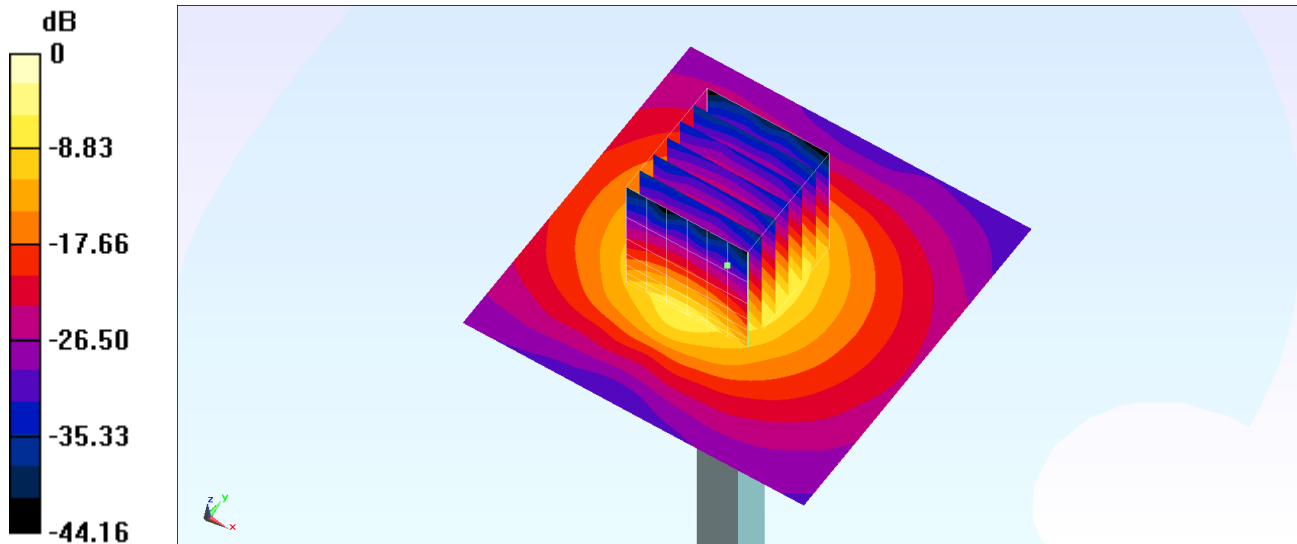
Ambient Temperature : 23.6 °C ; Liquid Temperature : 22.6 °C

DASY5 Configuration:

- Probe: EX3DV4 - SN7625; ConvF(6.65, 6.65, 6.65) @ 3700 MHz; Calibrated: 2021/1/19
- Sensor-Surface: 1.4mm (Mechanical Surface Detection)
- Electronics: DAE4 Sn1512; Calibrated: 2021/2/11
- Phantom: SAM_Left; Type: SAM; Serial: TP:1479
- Measurement SW: DASY52, Version 52.10 (4); SEMCAD X Version 14.6.14 (7483)

Pin=100mW/Area Scan (71x71x1): Interpolated grid: dx=1.200 mm, dy=1.200 mm
Maximum value of SAR (interpolated) = 14.5 W/kg

Pin=100mW/Zoom Scan (7x7x8)/Cube 0: Measurement grid: dx=5mm, dy=5mm, dz=1.4mm
Reference Value = 62.14 V/m; Power Drift = 0.14 dB
Peak SAR (extrapolated) = 20.1 W/kg
SAR(1 g) = 6.8 W/kg; SAR(10 g) = 2.44 W/kg
Maximum value of SAR (measured) = 14.2 W/kg



0 dB = 14.2 W/kg = 11.52 dBW/kg

System Check_Head_3900MHz

DUT: D3900V2-1017

Communication System: CW; Frequency: 3900 MHz; Duty Cycle: 1:1

Medium: HSL_3900_211202 Medium parameters used: $f = 3900$ MHz; $\sigma = 3.316$ S/m; $\epsilon_r = 36.92$; $\rho = 1000$ kg/m³

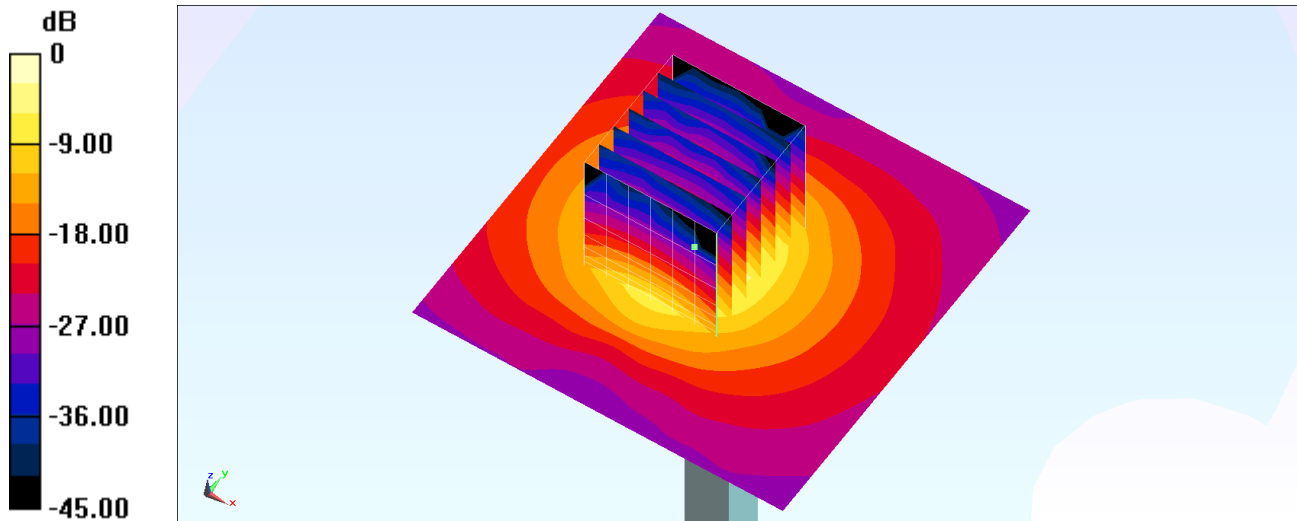
Ambient Temperature : 23.1 °C; Liquid Temperature : 22.1 °C

DASY5 Configuration:

- Probe: EX3DV4 - SN7625; ConvF(6.2, 6.2, 6.2) @ 3900 MHz; Calibrated: 2021/1/19
- Sensor-Surface: 1.4mm (Mechanical Surface Detection)
- Electronics: DAE4 Sn1512; Calibrated: 2021/2/11
- Phantom: SAM_Left; Type: SAM; Serial: TP:1479
- Measurement SW: DASY52, Version 52.10 (4); SEMCAD X Version 14.6.14 (7483)

Pin=100mW/Area Scan (71x71x1): Interpolated grid: dx=1.200 mm, dy=1.200 mm
Maximum value of SAR (interpolated) = 15.2 W/kg

Pin=100mW/Zoom Scan (7x7x8)/Cube 0: Measurement grid: dx=5mm, dy=5mm, dz=1.4mm
Reference Value = 61.51 V/m; Power Drift = 0.12 dB
Peak SAR (extrapolated) = 20.9 W/kg
SAR(1 g) = 7.09 W/kg; SAR(10 g) = 2.45 W/kg
Maximum value of SAR (measured) = 14.9 W/kg



0 dB = 14.9 W/kg = 11.73 dBW/kg

System Check_Head_3900MHz

DUT: D3900V2-1017

Communication System: CW; Frequency: 3900 MHz; Duty Cycle: 1:1

Medium: HSL_3900_211203 Medium parameters used: $f = 3900$ MHz; $\sigma = 3.31$ S/m; $\epsilon_r = 36.89$; $\rho = 1000$ kg/m³

Ambient Temperature : 23.6 °C ; Liquid Temperature : 22.6 °C

DASY5 Configuration:

- Probe: EX3DV4 - SN7625; ConvF(6.2, 6.2, 6.2) @ 3900 MHz; Calibrated: 2021/1/19
- Sensor-Surface: 1.4mm (Mechanical Surface Detection)
- Electronics: DAE4 Sn1512; Calibrated: 2021/2/11
- Phantom: SAM_Left; Type: SAM; Serial: TP:1479
- Measurement SW: DASY52, Version 52.10 (4); SEMCAD X Version 14.6.14 (7483)

Pin=100mW/Area Scan (71x71x1): Interpolated grid: dx=1.200 mm, dy=1.200 mm

Maximum value of SAR (interpolated) = 15.2 W/kg

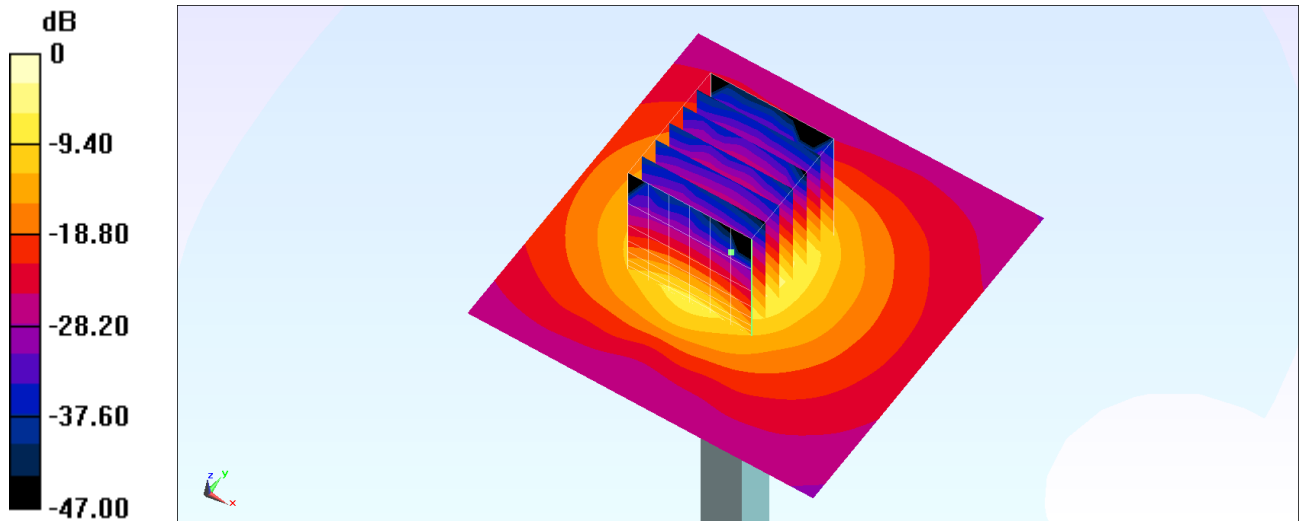
Pin=100mW/Zoom Scan (7x7x8)/Cube 0: Measurement grid: dx=5mm, dy=5mm, dz=1.4mm

Reference Value = 61.51 V/m; Power Drift = 0.17 dB

Peak SAR (extrapolated) = 20.9 W/kg

SAR(1 g) = 7.07 W/kg; SAR(10 g) = 2.44 W/kg

Maximum value of SAR (measured) = 14.9 W/kg



0 dB = 14.9 W/kg = 11.73 dBW/kg

System Check_Head_3900MHz

DUT: D3900V2-1017

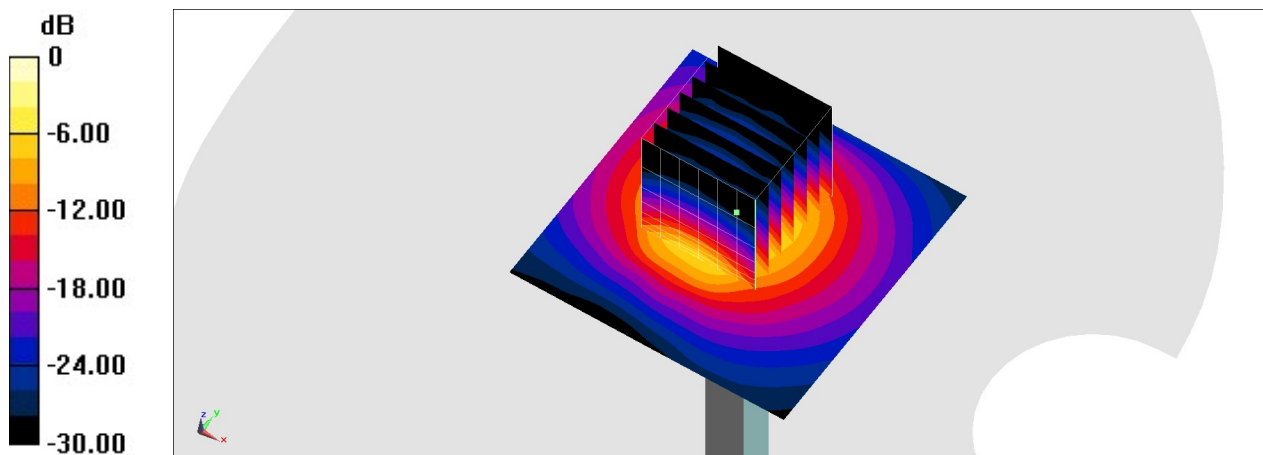
Communication System: CW; Frequency: 3900 MHz; Duty Cycle: 1:1
Medium: HSL_3900_211206 Medium parameters used: $f = 3900 \text{ MHz}$; $\sigma = 3.389 \text{ S/m}$; $\epsilon_r = 37.053$;
 $\rho = 1000 \text{ kg/m}^3$
Ambient Temperature : $23.4 \text{ }^\circ\text{C}$; Liquid Temperature : $22.4 \text{ }^\circ\text{C}$

DASY5 Configuration:

- Probe: EX3DV4 - SN3931; ConvF(6.55, 6.55, 6.55) @ 3900 MHz; Calibrated: 2021/10/21
- Sensor-Surface: 1.4mm (Mechanical Surface Detection)
- Electronics: DAE4 Sn699; Calibrated: 2021/2/16
- Phantom: Twin-SAM V5.0 (30deg probe tilt)_Left; Type: QD 000 P40 CD; Serial: 1479
- Measurement SW: DASY52, Version 52.10 (4); SEMCAD X Version 14.6.14 (7501)

Pin=100mW/Area Scan (61x61x1): Interpolated grid: $dx=1.200 \text{ mm}$, $dy=1.200 \text{ mm}$
Maximum value of SAR (interpolated) = 14.6 W/kg

Pin=100mW/Zoom Scan (7x7x8)/Cube 0: Measurement grid: $dx=5\text{mm}$, $dy=5\text{mm}$, $dz=1.4\text{mm}$
Reference Value = 60.41 V/m ; Power Drift = 0.19 dB
Peak SAR (extrapolated) = 20.0 W/kg
SAR(1 g) = 7.11 W/kg ; SAR(10 g) = 2.57 W/kg
Maximum value of SAR (measured) = 14.5 W/kg



0 dB = $14.5 \text{ W/kg} = 11.61 \text{ dBW/kg}$

System Check_Head_5250MHz

DUT: D5GHzV2-1006

Communication System: CW; Frequency: 5250 MHz; Duty Cycle: 1:1

Medium: HSL_5G_211218 Medium parameters used : $f = 5250$ MHz; $\sigma = 4.803$ S/m; $\epsilon_r = 36.842$; $\rho = 1000$ kg/m³

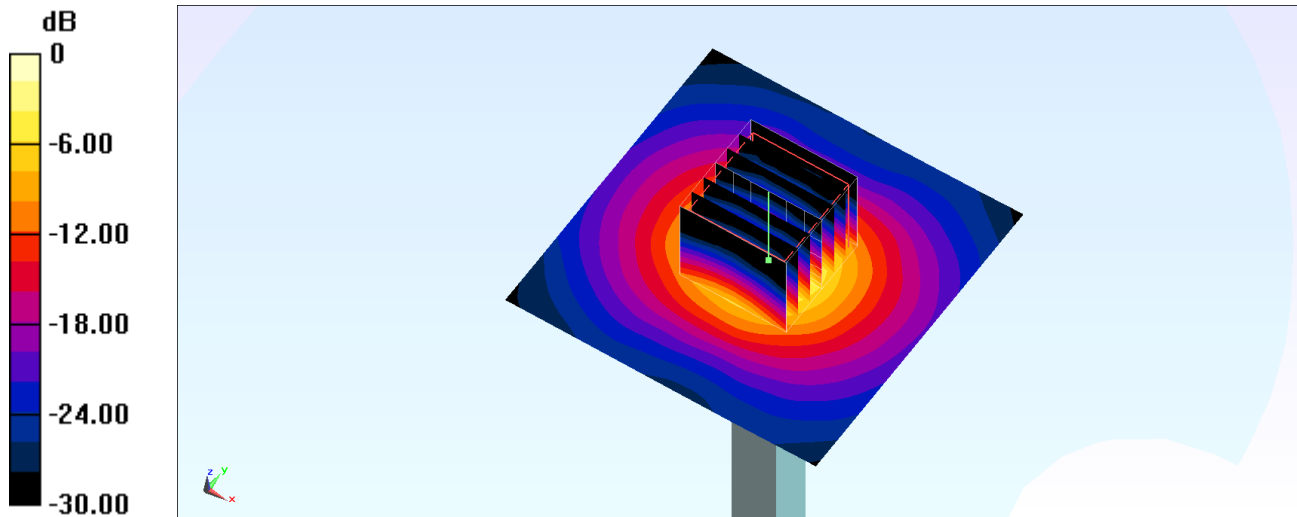
Ambient Temperature : 23.3 °C; Liquid Temperature : 22.3 °C

DASY5 Configuration:

- Probe: EX3DV4 - SN3642; ConvF(4.42, 4.42, 4.42) @ 5250 MHz; Calibrated: 2021/4/26
- Sensor-Surface: 1.4mm (Mechanical Surface Detection)
- Electronics: DAE4 Sn656; Calibrated: 2021/1/22
- Phantom: SAM_Right; Type: QD000P40CD; Serial: TP:1681
- Measurement SW: DASY52, Version 52.10 (4); SEMCAD X Version 14.6.14 (7501)

Pin=100mW/Area Scan (71x71x1): Interpolated grid: dx=1.000 mm, dy=1.000 mm
Maximum value of SAR (interpolated) = 24.8 W/kg

Pin=100mW/Zoom Scan (7x7x7)/Cube 0: Measurement grid: dx=4mm, dy=4mm, dz=1.4mm
Reference Value = 82.48 V/m; Power Drift = -0.17 dB
Peak SAR (extrapolated) = 36.3 W/kg
SAR(1 g) = 8.86 W/kg; SAR(10 g) = 2.51 W/kg
Maximum value of SAR (measured) = 22.5 W/kg



0 dB = 22.5 W/kg = 13.52 dBW/kg

System Check_Head_5250MHz

DUT: D5GHzV2-1006

Communication System: CW; Frequency: 5250 MHz; Duty Cycle: 1:1

Medium: HSL_5G_211229 Medium parameters used: $f = 5250$ MHz; $\sigma = 4.624$ S/m; $\epsilon_r = 35.863$; $\rho = 1000$ kg/m³

Ambient Temperature : 23.3 °C; Liquid Temperature : 22.3 °C

DASY5 Configuration:

- Probe: EX3DV4 - SN3642; ConvF(4.42, 4.42, 4.42) @ 5250 MHz; Calibrated: 2021/4/26
- Sensor-Surface: 1.4mm (Mechanical Surface Detection)
- Electronics: DAE4 Sn656; Calibrated: 2021/1/22
- Phantom: SAM_Right; Type: QD000P40CD; Serial: TP:1681
- Measurement SW: DASY52, Version 52.10 (4); SEMCAD X Version 14.6.14 (7501)

Pin=100mW/Area Scan (71x71x1): Interpolated grid: dx=1.000 mm, dy=1.000 mm

Maximum value of SAR (interpolated) = 25.6 W/kg

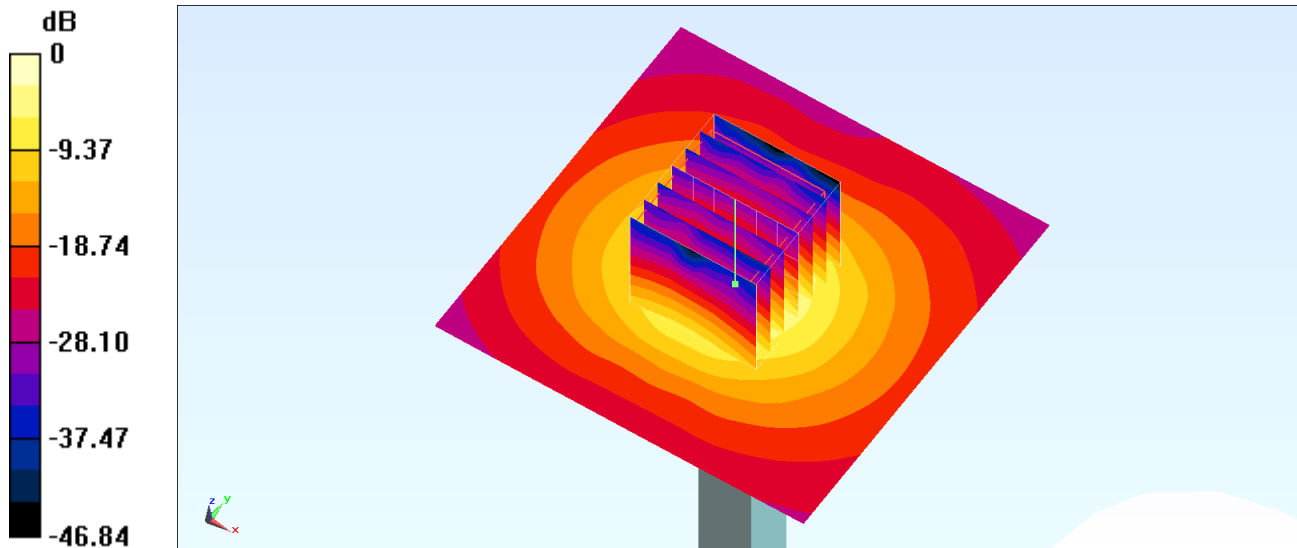
Pin=100mW/Zoom Scan (7x7x7)/Cube 0: Measurement grid: dx=4mm, dy=4mm, dz=1.4mm

Reference Value = 74.01 V/m; Power Drift = 0.13 dB

Peak SAR (extrapolated) = 35.5 W/kg

SAR(1 g) = 8.71 W/kg; SAR(10 g) = 2.49 W/kg

Maximum value of SAR (measured) = 21.8 W/kg



0 dB = 21.8 W/kg = 13.38 dBW/kg

System Check_Head_5250MHz

DUT: D5GHzV2-1006

Communication System: CW; Frequency: 5250 MHz; Duty Cycle: 1:1

Medium: HSL_5G_211231 Medium parameters used : $f = 5250$ MHz; $\sigma = 4.832$ S/m; $\epsilon_r = 36.944$; $\rho = 1000$ kg/m³

Ambient Temperature : 23.5 °C ; Liquid Temperature : 22.5 °C

DASY5 Configuration:

- Probe: EX3DV4 - SN3642; ConvF(4.42, 4.42, 4.42) @ 5250 MHz; Calibrated: 2021/4/26
- Sensor-Surface: 1.4mm (Mechanical Surface Detection)
- Electronics: DAE4 Sn656; Calibrated: 2021/1/22
- Phantom: SAM_Right; Type: QD000P40CD; Serial: TP:1681
- Measurement SW: DASY52, Version 52.10 (4); SEMCAD X Version 14.6.14 (7501)

Pin=100mW/Area Scan (71x71x1): Interpolated grid: dx=1.000 mm, dy=1.000 mm

Maximum value of SAR (interpolated) = 25.0 W/kg

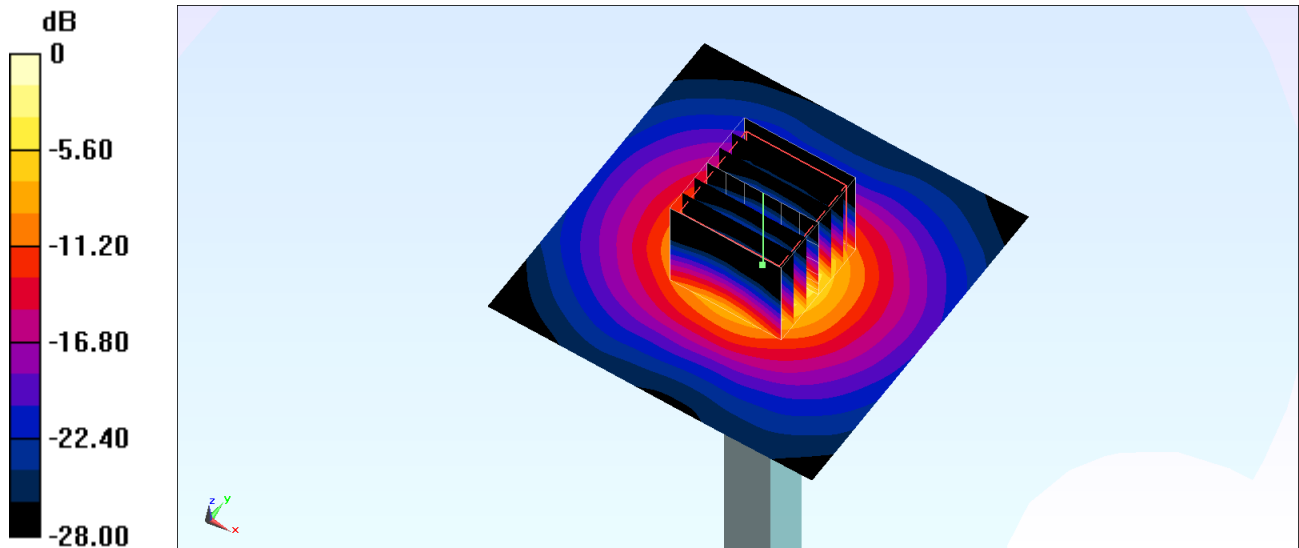
Pin=100mW/Zoom Scan (7x7x7)/Cube 0: Measurement grid: dx=4mm, dy=4mm, dz=1.4mm

Reference Value = 82.48 V/m; Power Drift = -0.17 dB

Peak SAR (extrapolated) = 36.5 W/kg

SAR(1 g) = 8.91 W/kg; SAR(10 g) = 2.52 W/kg

Maximum value of SAR (measured) = 22.7 W/kg



0 dB = 22.7 W/kg = 13.56 dBW/kg

System Check_Head_5250MHz

DUT: D5GHzV2-1006

Communication System: CW; Frequency: 5250 MHz; Duty Cycle: 1:1

Medium: HSL_5G_220102 Medium parameters used : $f = 5250$ MHz; $\sigma = 4.857$ S/m; $\epsilon_r = 37.076$; $\rho = 1000$ kg/m³

Ambient Temperature : 23.1 °C ; Liquid Temperature : 22.1 °C

DASY5 Configuration:

- Probe: EX3DV4 - SN3642; ConvF(4.42, 4.42, 4.42) @ 5250 MHz; Calibrated: 2021/4/26
- Sensor-Surface: 1.4mm (Mechanical Surface Detection)
- Electronics: DAE4 Sn656; Calibrated: 2021/1/22
- Phantom: SAM_Right; Type: QD000P40CD; Serial: TP:1681
- Measurement SW: DASY52, Version 52.10 (4); SEMCAD X Version 14.6.14 (7501)

Pin=100mW/Area Scan (71x71x1): Interpolated grid: dx=1.000 mm, dy=1.000 mm

Maximum value of SAR (interpolated) = 25.1 W/kg

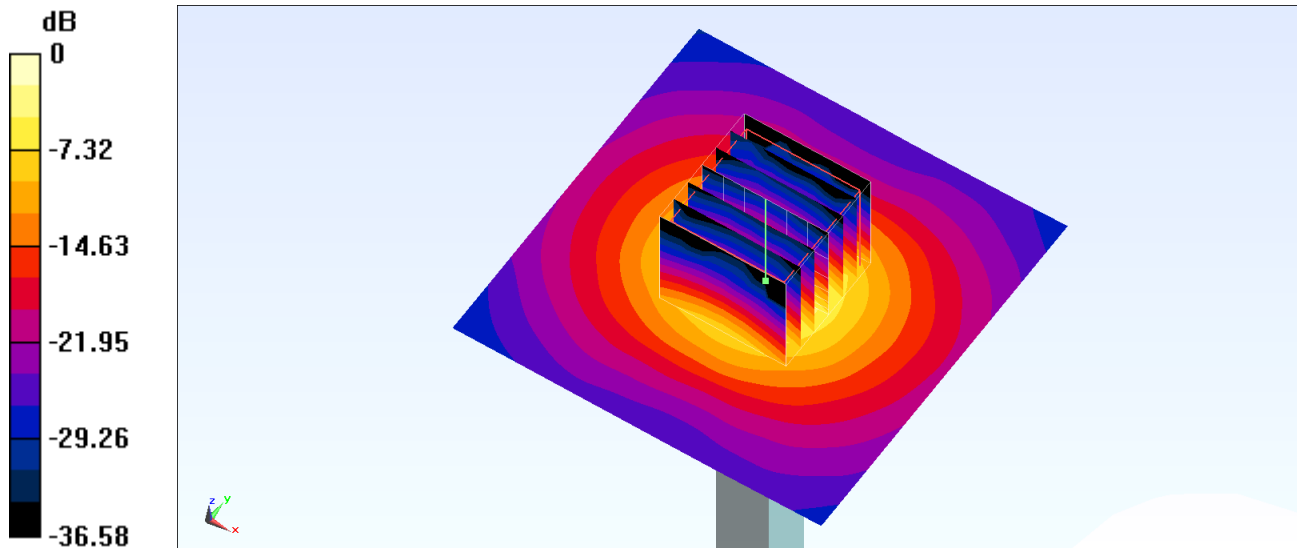
Pin=100mW/Zoom Scan (7x7x7)/Cube 0: Measurement grid: dx=4mm, dy=4mm, dz=1.4mm

Reference Value = 82.48 V/m; Power Drift = -0.17 dB

Peak SAR (extrapolated) = 36.7 W/kg

SAR(1 g) = 8.74 W/kg; SAR(10 g) = 2.41 W/kg

Maximum value of SAR (measured) = 22.8 W/kg



0 dB = 22.8 W/kg = 13.58 dBW/kg

System Check_Head_5250MHz

DUT: D5GHzV2-1006

Communication System: CW; Frequency: 5250 MHz; Duty Cycle: 1:1

Medium: HSL_5G_220104 Medium parameters used: $f = 5250$ MHz; $\sigma = 4.856$ S/m; $\epsilon_r = 37.064$; $\rho = 1000$ kg/m³

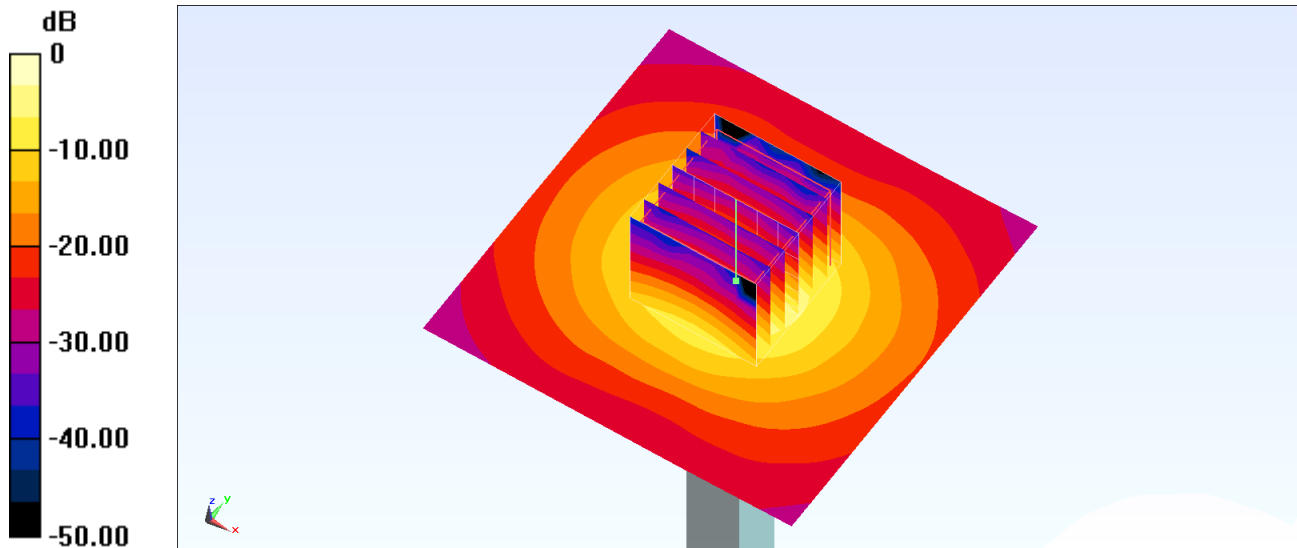
Ambient Temperature : 23.3 °C ; Liquid Temperature : 22.3 °C

DASY5 Configuration:

- Probe: EX3DV4 - SN3642; ConvF(4.42, 4.42, 4.42) @ 5250 MHz; Calibrated: 2021/4/26
- Sensor-Surface: 1.4mm (Mechanical Surface Detection)
- Electronics: DAE4 Sn656; Calibrated: 2021/1/22
- Phantom: SAM_Right; Type: QD000P40CD; Serial: TP:1681
- Measurement SW: DASY52, Version 52.10 (4); SEMCAD X Version 14.6.14 (7501)

Pin=100mW/Area Scan (71x71x1): Interpolated grid: dx=1.000 mm, dy=1.000 mm
Maximum value of SAR (interpolated) = 24.9 W/kg

Pin=100mW/Zoom Scan (7x7x7)/Cube 0: Measurement grid: dx=4mm, dy=4mm, dz=1.4mm
Reference Value = 82.39 V/m; Power Drift = -0.07 dB
Peak SAR (extrapolated) = 36.5 W/kg
SAR(1 g) = 8.86 W/kg; SAR(10 g) = 2.51 W/kg
Maximum value of SAR (measured) = 22.8 W/kg



0 dB = 22.8 W/kg = 13.58 dBW/kg

System Check_Head_5250MHz

DUT: D5GHzV2-1006

Communication System: CW; Frequency: 5250 MHz; Duty Cycle: 1:1

Medium: HSL_5G_220106 Medium parameters used: $f = 5250$ MHz; $\sigma = 4.793$ S/m; $\epsilon_r =$

37.577 ; $\rho = 1000$ kg/m³

Ambient Temperature : 23.4 °C ; Liquid Temperature : 22.4 °C

DASY5 Configuration:

- Probe: EX3DV4 - SN7346; ConvF(5.45, 5.45, 5.45) @ 5250 MHz; Calibrated: 2021/6/25
- Sensor-Surface: 1.4mm (Mechanical Surface Detection)
- Electronics: DAE4 Sn1512; Calibrated: 2021/2/11
- Phantom: SAM_Left; Type: SAM; Serial: TP:1479
- Measurement SW: DASY52, Version 52.10 (4); SEMCAD X Version 14.6.14 (7483)

Pin=100mW/Area Scan (71x71x1): Interpolated grid: dx=1.000 mm, dy=1.000 mm

Maximum value of SAR (interpolated) = 17.7 W/kg

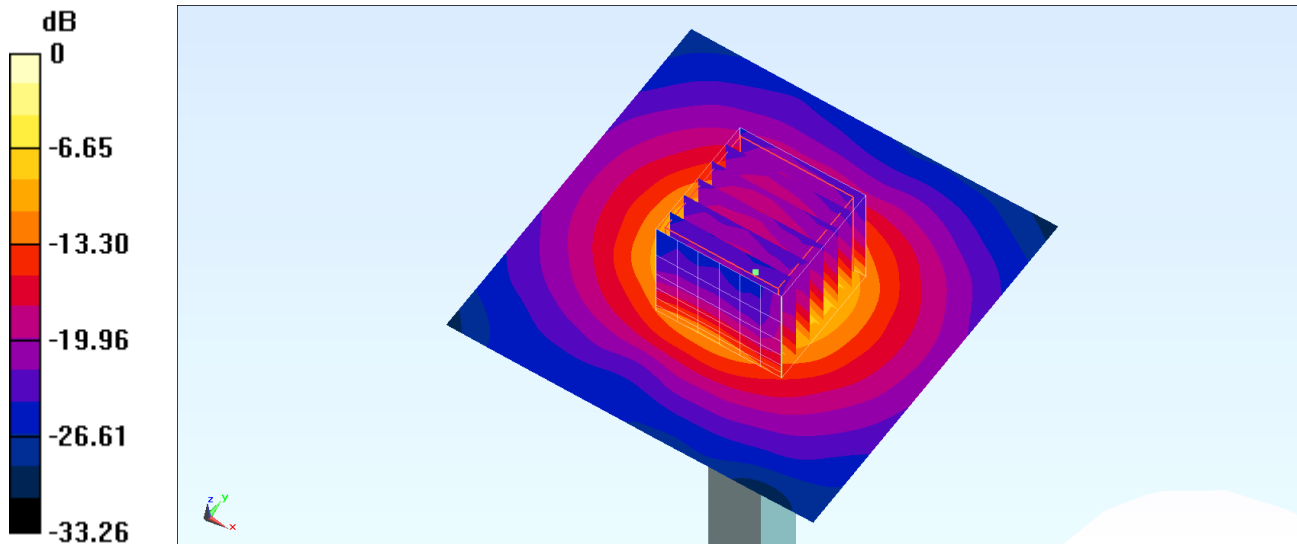
Pin=100mW/Zoom Scan (7x7x7)/Cube 0: Measurement grid: dx=4mm, dy=4mm, dz=1.4mm

Reference Value = 68.20 V/m; Power Drift = 0.08 dB

Peak SAR (extrapolated) = 32.8 W/kg

SAR(1 g) = 8.48 W/kg; SAR(10 g) = 2.41 W/kg

Maximum value of SAR (measured) = 20.8 W/kg



0 dB = 20.8 W/kg = 13.18 dBW/kg

System Check_Head_5250MHz

DUT: D5GHzV2-1006

Communication System: CW; Frequency: 5250 MHz; Duty Cycle: 1:1

Medium: HSL_5G_220107 Medium parameters used: $f = 5250$ MHz; $\sigma = 4.718$ S/m; $\epsilon_r = 37.253$; $\rho = 1000$ kg/m³

Ambient Temperature : 23.4 °C ; Liquid Temperature : 22.4 °C

DASY5 Configuration:

- Probe: EX3DV4 - SN7306; ConvF(5.33, 5.33, 5.33) @ 5250 MHz; Calibrated: 2021/7/26
- Sensor-Surface: 1.4mm (Mechanical Surface Detection)
- Electronics: DAE4 Sn1512; Calibrated: 2021/2/11
- Phantom: SAM_Left; Type: SAM; Serial: TP:1477
- Measurement SW: DASY52, Version 52.10 (4); SEMCAD X Version 14.6.14 (7483)

Pin=100mW/Area Scan (71x71x1): Interpolated grid: dx=1.000 mm, dy=1.000 mm

Maximum value of SAR (interpolated) = 24.8 W/kg

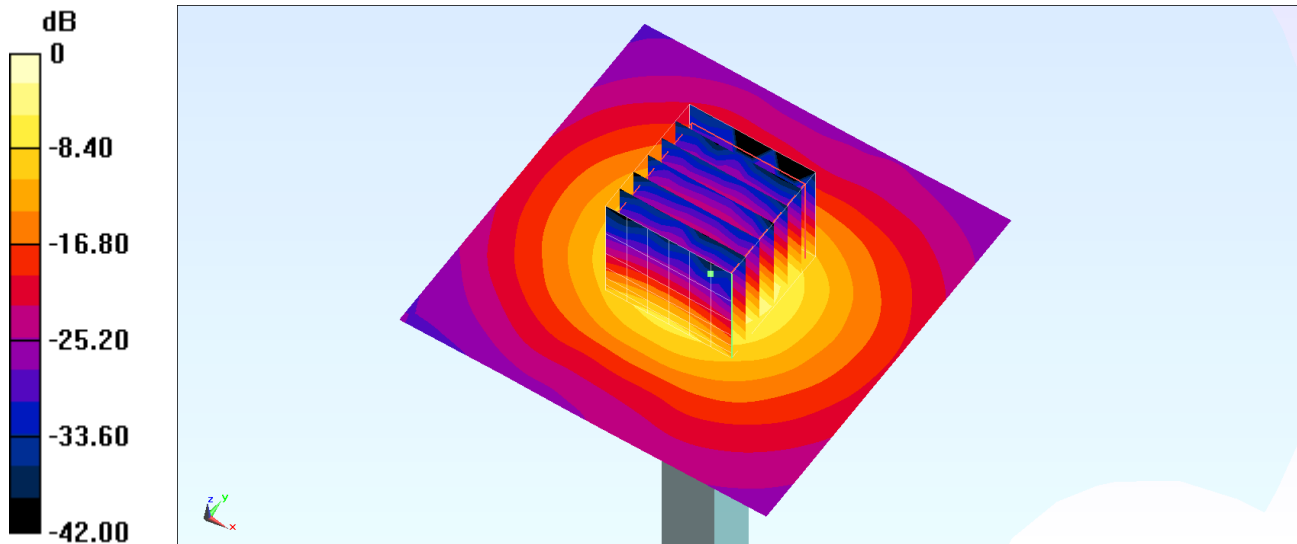
Pin=100mW/Zoom Scan (7x7x7)/Cube 0: Measurement grid: dx=4mm, dy=4mm, dz=1.4mm

Reference Value = 79.00 V/m; Power Drift = -0.15 dB

Peak SAR (extrapolated) = 34.7 W/kg

SAR(1 g) = 8.67 W/kg; SAR(10 g) = 2.52 W/kg

Maximum value of SAR (measured) = 22.0 W/kg



0 dB = 22.0 W/kg = 13.42 dBW/kg

System Check_Head_5600MHz

DUT: D5GHzV2-1006

Communication System: CW ; Frequency: 5600 MHz;Duty Cycle: 1:1

Medium: HSL_5G_211223 Medium parameters used: $f = 5600$ MHz; $\sigma = 4.938$ S/m; $\epsilon_r = 35.423$; $\rho = 1000$ kg/m³

Ambient Temperature : 23.2 °C ; Liquid Temperature : 22.2 °C

DASY5 Configuration:

- Probe: EX3DV4 - SN3642; ConvF(4.17, 4.17, 4.17) @ 5600 MHz; Calibrated: 2021/4/26
- Sensor-Surface: 1.4mm (Mechanical Surface Detection)
- Electronics: DAE4 Sn656; Calibrated: 2021/1/22
- Phantom: SAM_Right; Type: QD000P40CD; Serial: TP:1681
- Measurement SW: DASY52, Version 52.10 (4);SEMCAD X Version 14.6.14 (7501)

Pin=100mW/Area Scan (71x71x1): Interpolated grid: dx=1.000 mm, dy=1.000 mm

Maximum value of SAR (interpolated) = 22.0 W/kg

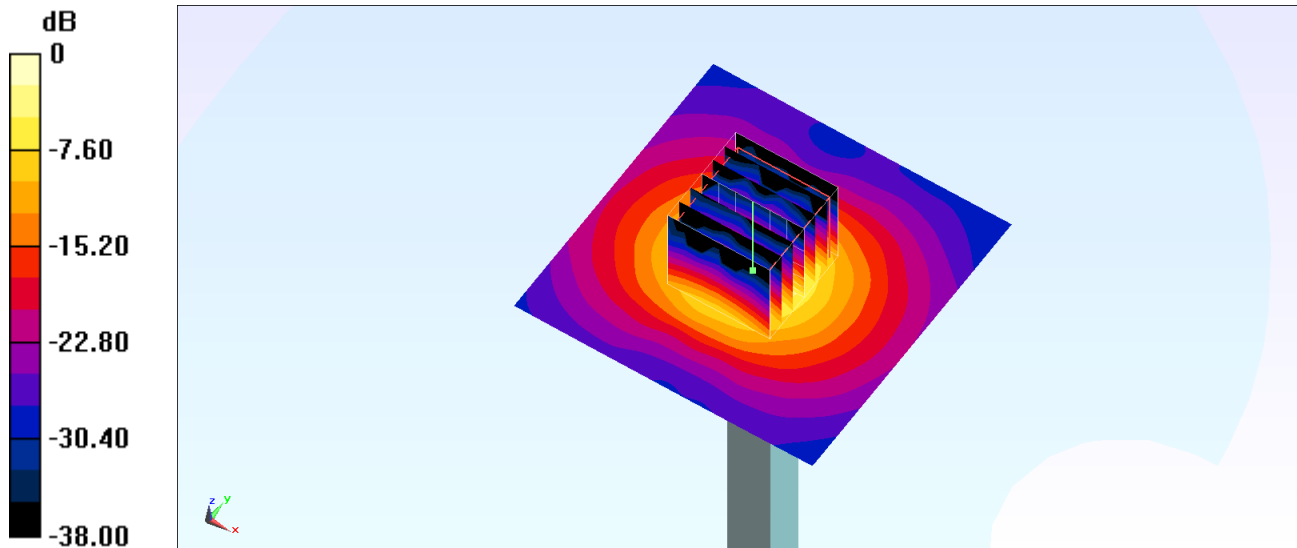
Pin=100mW/Zoom Scan (7x7x7)/Cube 0: Measurement grid: dx=4mm, dy=4mm, dz=1.4mm

Reference Value = 74.21 V/m; Power Drift = 0.02 dB

Peak SAR (extrapolated) = 39.4 W/kg

SAR(1 g) = 8.9 W/kg; SAR(10 g) = 2.51 W/kg

Maximum value of SAR (measured) = 23.3 W/kg



System Check_Head_5600MHz

DUT: D5GHzV2-1006

Communication System: CW ; Frequency: 5600 MHz;Duty Cycle: 1:1

Medium: HSL_5G_211229 Medium parameters used: $f = 5600$ MHz; $\sigma = 4.947$ S/m; $\epsilon_r = 35.377$; $\rho = 1000$ kg/m³

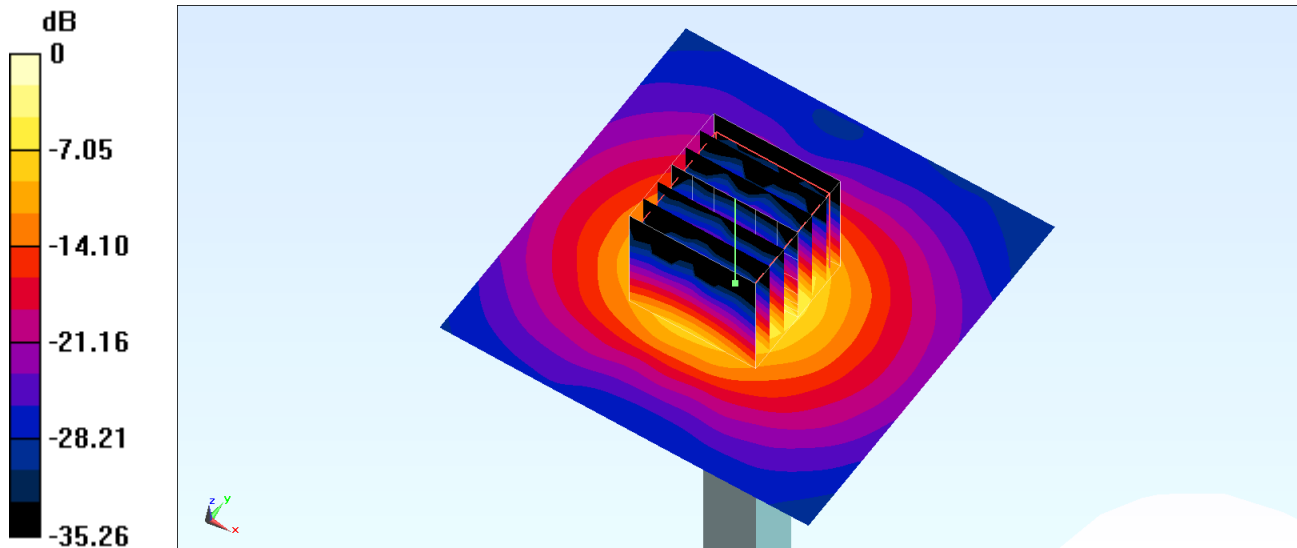
Ambient Temperature : 23.3 °C ; Liquid Temperature : 22.3 °C

DASY5 Configuration:

- Probe: EX3DV4 - SN3642; ConvF(4.17, 4.17, 4.17) @ 5600 MHz; Calibrated: 2021/4/26
- Sensor-Surface: 1.4mm (Mechanical Surface Detection)
- Electronics: DAE4 Sn656; Calibrated: 2021/1/22
- Phantom: SAM_Right; Type: QD000P40CD; Serial: TP:1681
- Measurement SW: DASY52, Version 52.10 (4);SEMCAD X Version 14.6.14 (7501)

Pin=100mW/Area Scan (71x71x1): Interpolated grid: dx=1.000 mm, dy=1.000 mm
Maximum value of SAR (interpolated) = 22.1 W/kg

Pin=100mW/Zoom Scan (7x7x7)/Cube 0: Measurement grid: dx=4mm, dy=4mm, dz=1.4mm
Reference Value = 74.21 V/m; Power Drift = 0.02 dB
Peak SAR (extrapolated) = 39.5 W/kg
SAR(1 g) = 8.92 W/kg; SAR(10 g) = 2.52 W/kg
Maximum value of SAR (measured) = 23.4 W/kg



0 dB = 23.4 W/kg = 13.69 dBW/kg

System Check_Head_5600MHz

DUT: D5GHzV2-1006

Communication System: CW ; Frequency: 5600 MHz;Duty Cycle: 1:1

Medium: HSL_5G_211231 Medium parameters used: $f = 5600$ MHz; $\sigma = 5.212$ S/m; $\epsilon_r = 36.433$; $\rho = 1000$ kg/m³

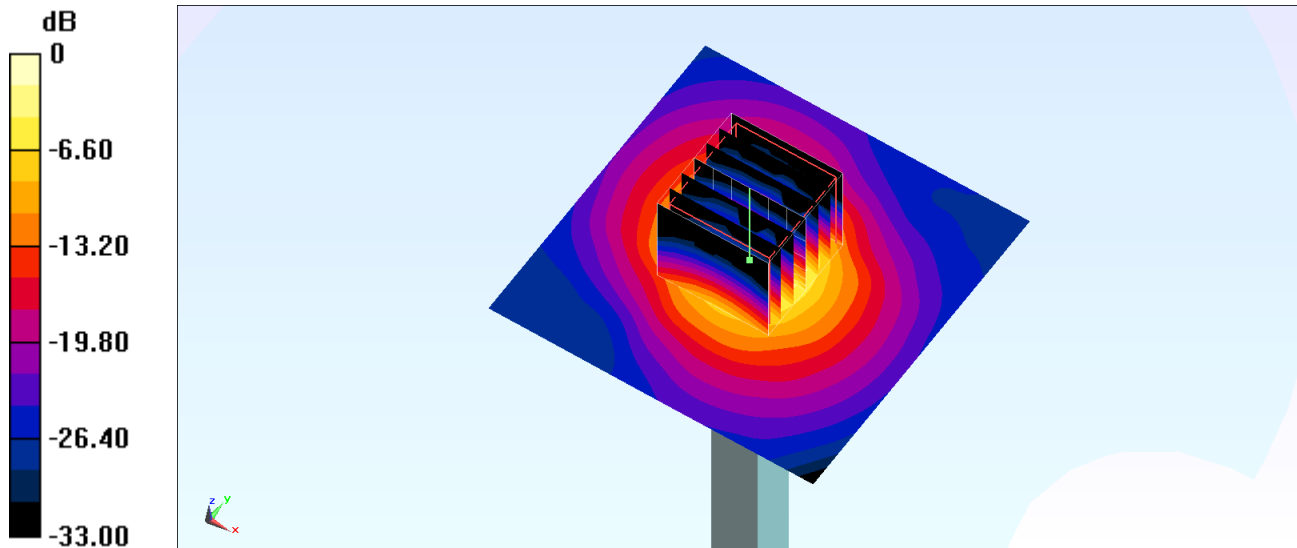
Ambient Temperature : 23.5 °C ; Liquid Temperature : 22.5 °C

DASY5 Configuration:

- Probe: EX3DV4 - SN3642; ConvF(4.17, 4.17, 4.17) @ 5600 MHz; Calibrated: 2021/4/26
- Sensor-Surface: 1.4mm (Mechanical Surface Detection)
- Electronics: DAE4 Sn656; Calibrated: 2021/1/22
- Phantom: SAM_Right; Type: QD000P40CD; Serial: TP:1681
- Measurement SW: DASY52, Version 52.10 (4);SEMCAD X Version 14.6.14 (7501)

Pin=100mW/Area Scan (71x71x1): Interpolated grid: dx=1.000 mm, dy=1.000 mm
Maximum value of SAR (interpolated) = 24.7 W/kg

Pin=100mW/Zoom Scan (7x7x7)/Cube 0: Measurement grid: dx=4mm, dy=4mm, dz=1.4mm
Reference Value = 84.27 V/m; Power Drift = -0.16 dB
Peak SAR (extrapolated) = 42.6 W/kg
SAR(1 g) = 9.28 W/kg; SAR(10 g) = 2.57 W/kg
Maximum value of SAR (measured) = 24.3 W/kg



0 dB = 24.3 W/kg = 13.86 dBW/kg

System Check_Head_5600MHz

DUT: D5GHzV2-1006

Communication System: CW ; Frequency: 5600 MHz;Duty Cycle: 1:1

Medium: HSL_5G_220102 Medium parameters used: $f = 5600$ MHz; $\sigma = 5.238$ S/m; $\epsilon_r = 36.565$; $\rho = 1000$ kg/m³

Ambient Temperature : 23.1 °C ; Liquid Temperature : 22.1 °C

DASY5 Configuration:

- Probe: EX3DV4 - SN3642; ConvF(4.17, 4.17, 4.17) @ 5600 MHz; Calibrated: 2021/4/26
- Sensor-Surface: 1.4mm (Mechanical Surface Detection)
- Electronics: DAE4 Sn656; Calibrated: 2021/1/22
- Phantom: SAM_Right; Type: QD000P40CD; Serial: TP:1681
- Measurement SW: DASY52, Version 52.10 (4);SEMCAD X Version 14.6.14 (7501)

Pin=100mW/Area Scan (71x71x1): Interpolated grid: dx=1.000 mm, dy=1.000 mm

Maximum value of SAR (interpolated) = 24.9 W/kg

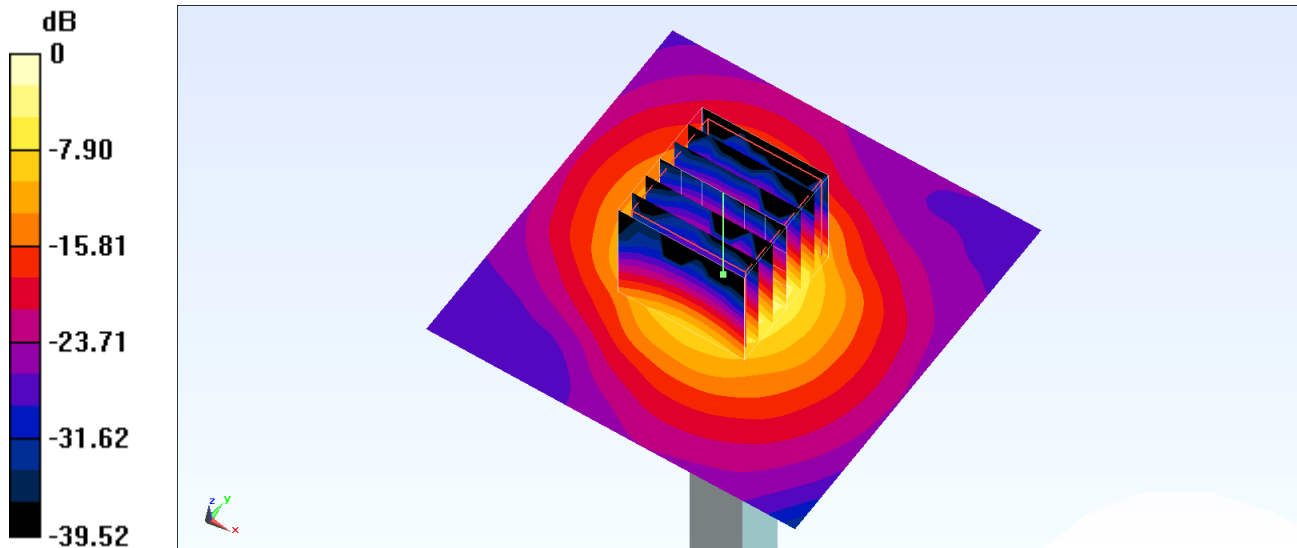
Pin=100mW/Zoom Scan (7x7x7)/Cube 0: Measurement grid: dx=4mm, dy=4mm, dz=1.4mm

Reference Value = 84.27 V/m; Power Drift = -0.12 dB

Peak SAR (extrapolated) = 42.8 W/kg

SAR(1 g) = 9.12 W/kg; SAR(10 g) = 2.58 W/kg

Maximum value of SAR (measured) = 24.5 W/kg



0 dB = 24.5 W/kg = 13.89 dBW/kg

System Check_Head_5600MHz

DUT: D5GHzV2-1006

Communication System: CW ; Frequency: 5600 MHz;Duty Cycle: 1:1

Medium: HSL_5G_220104 Medium parameters used: $f = 5600$ MHz; $\sigma = 5.236$ S/m; $\epsilon_r = 36.553$; $\rho = 1000$ kg/m³

Ambient Temperature : 23.3 °C ; Liquid Temperature : 22.3 °C

DASY5 Configuration:

- Probe: EX3DV4 - SN3642; ConvF(4.17, 4.17, 4.17) @ 5600 MHz; Calibrated: 2021/4/26
- Sensor-Surface: 1.4mm (Mechanical Surface Detection)
- Electronics: DAE4 Sn656; Calibrated: 2021/1/22
- Phantom: SAM_Right; Type: QD000P40CD; Serial: TP:1681
- Measurement SW: DASY52, Version 52.10 (4);SEMCAD X Version 14.6.14 (7501)

Pin=100mW/Area Scan (71x71x1): Interpolated grid: dx=1.000 mm, dy=1.000 mm

Maximum value of SAR (interpolated) = 24.9 W/kg

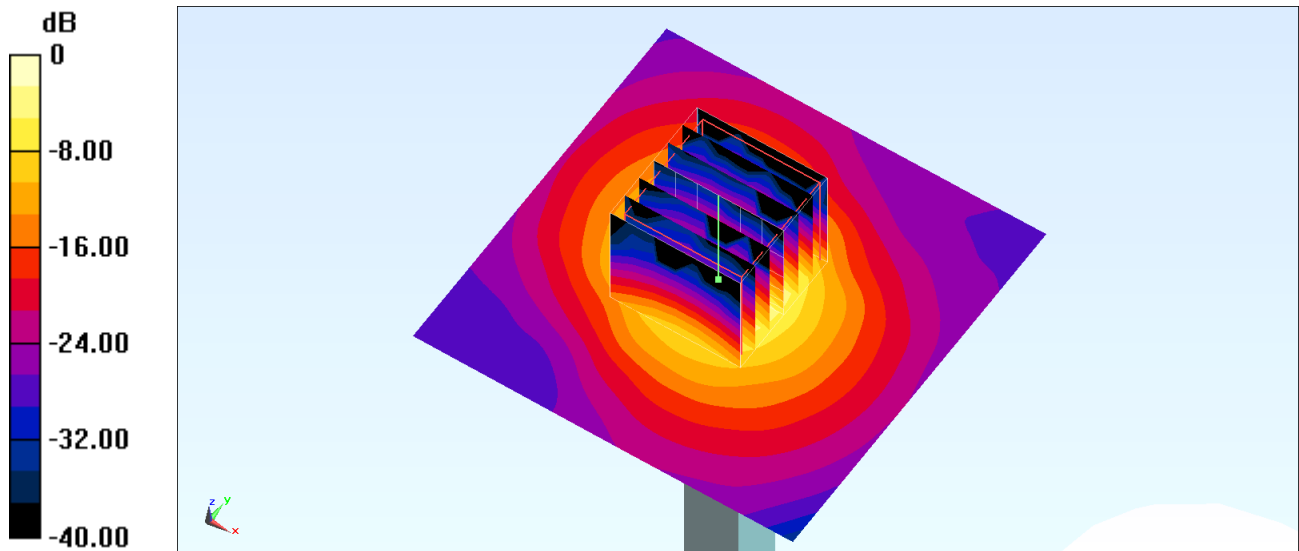
Pin=100mW/Zoom Scan (7x7x7)/Cube 0: Measurement grid: dx=4mm, dy=4mm, dz=1.4mm

Reference Value = 84.27 V/m; Power Drift = -0.16 dB

Peak SAR (extrapolated) = 42.8 W/kg

SAR(1 g) = 9.32 W/kg; SAR(10 g) = 2.58 W/kg

Maximum value of SAR (measured) = 24.5 W/kg



0 dB = 24.5 W/kg = 13.89 dBW/kg

System Check_Head_5600MHz

DUT: D5GHzV2-1006

Communication System: CW; Frequency: 5600 MHz; Duty Cycle: 1:1

Medium: HSL_5G_220106 Medium parameters used: $f = 5600$ MHz; $\sigma = 5.183$ S/m; $\epsilon_r = 37.019$; $\rho = 1000$ kg/m³

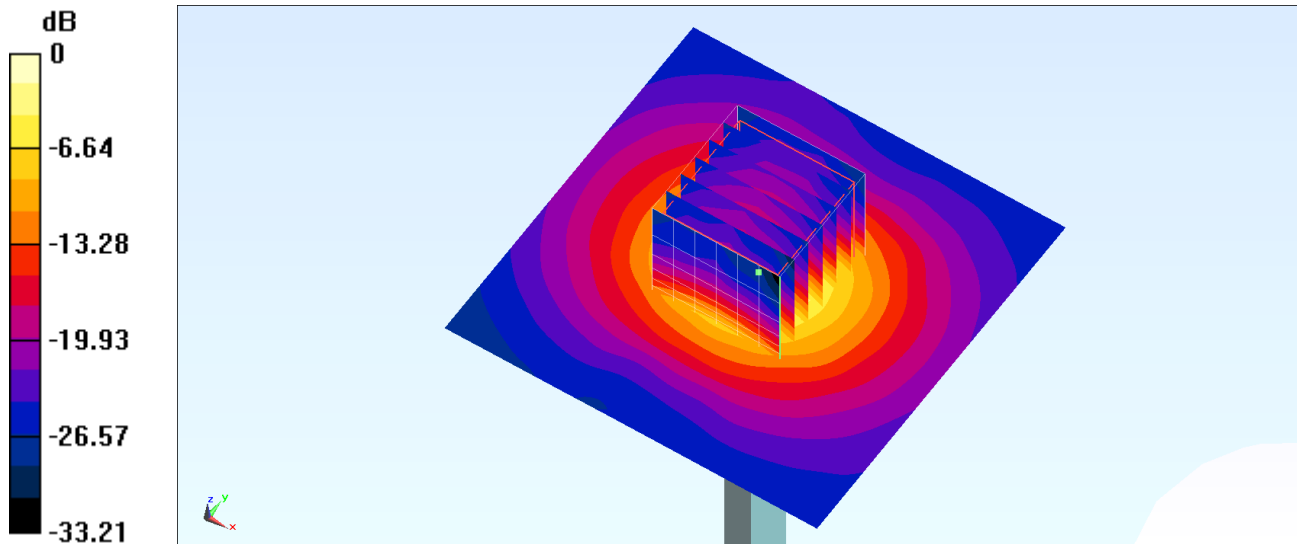
Ambient Temperature : 23.4 °C ; Liquid Temperature : 22.4 °C

DASY5 Configuration:

- Probe: EX3DV4 - SN7346; ConvF(4.84, 4.84, 4.84) @ 5600 MHz; Calibrated: 2021/6/25
- Sensor-Surface: 1.4mm (Mechanical Surface Detection)
- Electronics: DAE4 Sn1512; Calibrated: 2021/2/11
- Phantom: SAM_Left; Type: SAM; Serial: TP:1479
- Measurement SW: DASY52, Version 52.10 (4); SEMCAD X Version 14.6.14 (7483)

Pin=100mW/Area Scan (71x71x1): Interpolated grid: dx=1.000 mm, dy=1.000 mm
Maximum value of SAR (interpolated) = 20.8 W/kg

Pin=100mW/Zoom Scan (7x7x7)/Cube 0: Measurement grid: dx=4mm, dy=4mm, dz=1.4mm
Reference Value = 70.68 V/m; Power Drift = -0.19 dB
Peak SAR (extrapolated) = 32.7 W/kg
SAR(1 g) = 8.27 W/kg; SAR(10 g) = 2.39 W/kg
Maximum value of SAR (measured) = 21.2 W/kg



0 dB = 21.2 W/kg = 13.26 dBW/kg

System Check_Head_5600MHz

DUT: D5GHzV2-1006

Communication System: CW; Frequency: 5600 MHz; Duty Cycle: 1:1

Medium: HSL_5G_220107 Medium parameters used: $f = 5600$ MHz; $\sigma = 5.054$ S/m; $\epsilon_r = 36.798$; $\rho = 1000$ kg/m³

Ambient Temperature : 23.4 °C; Liquid Temperature : 22.4 °C

DASY5 Configuration:

- Probe: EX3DV4 - SN7306; ConvF(4.66, 4.66, 4.66) @ 5600 MHz; Calibrated: 2021/7/26
- Sensor-Surface: 1.4mm (Mechanical Surface Detection)
- Electronics: DAE4 Sn1512; Calibrated: 2021/2/11
- Phantom: SAM_Left; Type: SAM; Serial: TP:1477
- Measurement SW: DASY52, Version 52.10 (4); SEMCAD X Version 14.6.14 (7483)

Pin=50mW/Area Scan (71x71x1): Interpolated grid: dx=1.000 mm, dy=1.000 mm

Maximum value of SAR (interpolated) = 10.3 W/kg

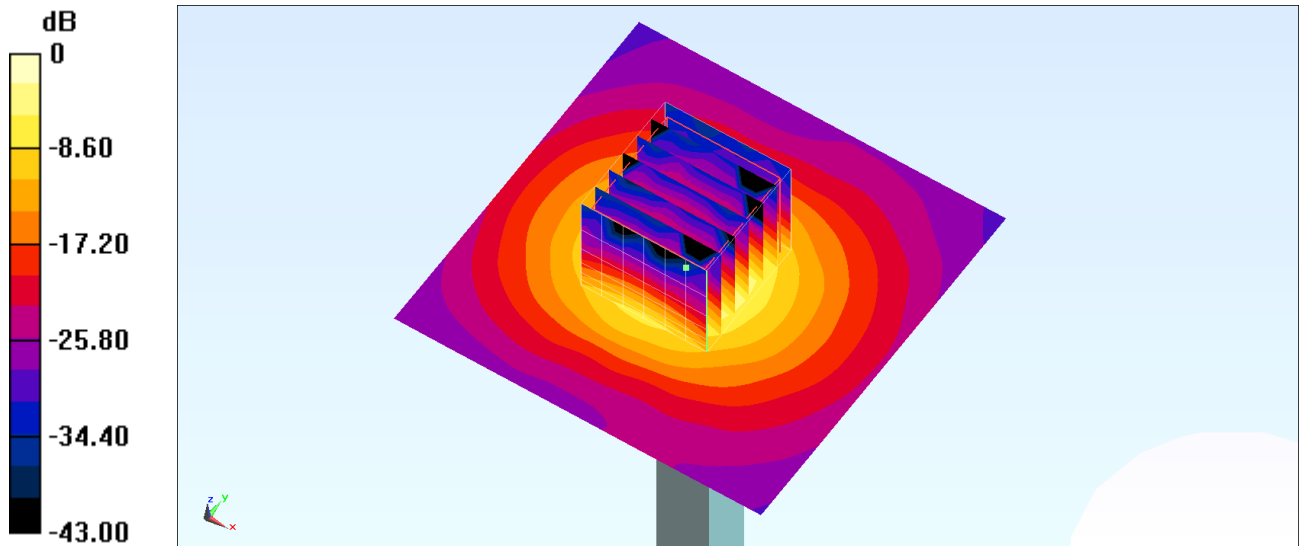
Pin=50mW/Zoom Scan (7x7x7)/Cube 0: Measurement grid: dx=4mm, dy=4mm, dz=1.4mm

Reference Value = 49.89 V/m; Power Drift = 0.08 dB

Peak SAR (extrapolated) = 18.0 W/kg

SAR(1 g) = 4.08 W/kg; SAR(10 g) = 1.15 W/kg

Maximum value of SAR (measured) = 10.7 W/kg



0 dB = 10.7 W/kg = 10.29 dBW/kg

System Check_Head_5750MHz

DUT: D5GHzV2-1006

Communication System: CW; Frequency: 5750 MHz; Duty Cycle: 1:1

Medium: HSL_5G_211223 Medium parameters used: $f = 5750$ MHz; $\sigma = 5.129$ S/m; $\epsilon_r = 35.363$; $\rho = 1000$ kg/m³

Ambient Temperature : 23.2 °C ; Liquid Temperature : 22.2 °C

DASY5 Configuration:

- Probe: EX3DV4 - SN3642; ConvF(4.18, 4.18, 4.18) @ 5750 MHz; Calibrated: 2021/4/26
- Sensor-Surface: 1.4mm (Mechanical Surface Detection)
- Electronics: DAE4 Sn656; Calibrated: 2021/1/22
- Phantom: SAM_Right; Type: QD000P40CD; Serial: TP:1681
- Measurement SW: DASY52, Version 52.10 (4); SEMCAD X Version 14.6.14 (7501)

Pin=100mW/Area Scan (71x71x1): Interpolated grid: dx=1.000 mm, dy=1.000 mm

Maximum value of SAR (interpolated) = 22.7 W/kg

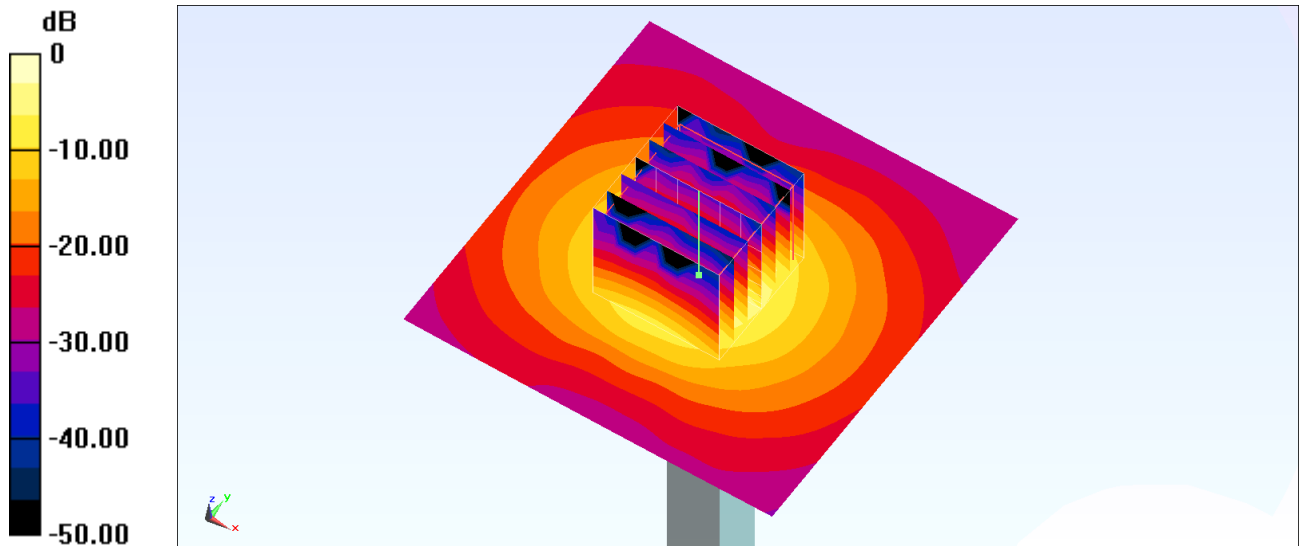
Pin=100mW/Zoom Scan (7x7x7)/Cube 0: Measurement grid: dx=4mm, dy=4mm, dz=1.4mm

Reference Value = 73.99 V/m; Power Drift = 0.02 dB

Peak SAR (extrapolated) = 40.7 W/kg

SAR(1 g) = 8.79 W/kg; SAR(10 g) = 2.49 W/kg

Maximum value of SAR (measured) = 24.1 W/kg



0 dB = 24.1 W/kg = 13.82 dBW/kg

System Check_Head_5750MHz

DUT: D5GHzV2-1006

Communication System: CW ; Frequency: 5750 MHz;Duty Cycle: 1:1

Medium: HSL_5G_211224 Medium parameters used: $f = 5750$ MHz; $\sigma = 5.134$ S/m; $\epsilon_r = 35.379$; $\rho = 1000$ kg/m³

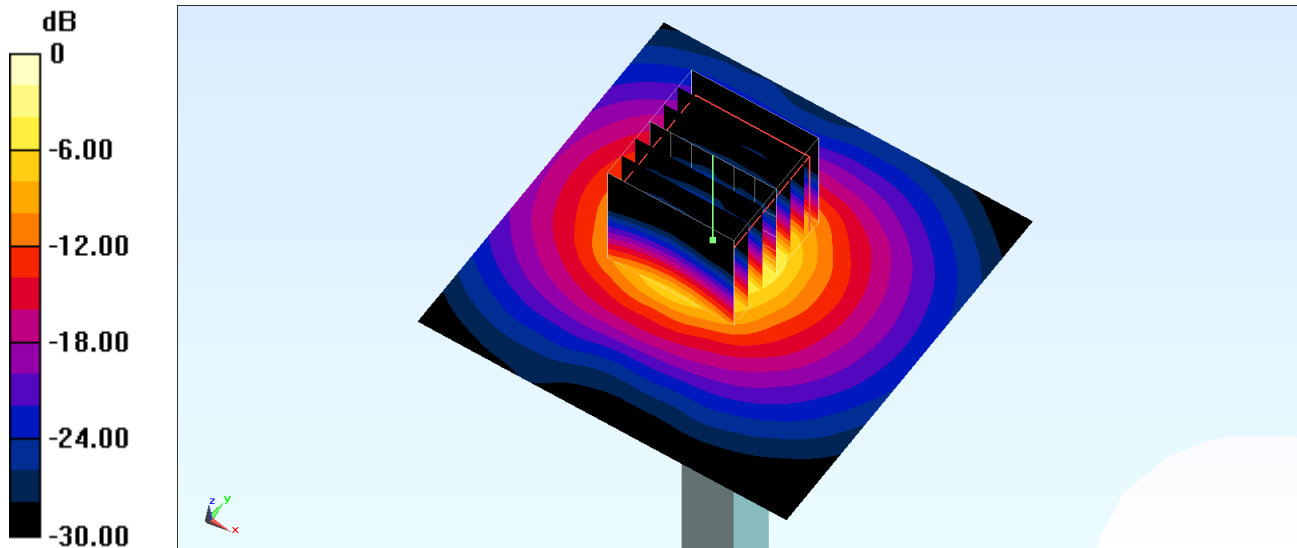
Ambient Temperature : 23.3 °C ; Liquid Temperature : 22.3 °C

DASY5 Configuration:

- Probe: EX3DV4 - SN3931; ConvF(4.73, 4.73, 4.73) @ 5750 MHz; Calibrated: 2021/10/21
- Sensor-Surface: 1.4mm (Mechanical Surface Detection)
- Electronics: DAE4 Sn1399; Calibrated: 2021/2/16
- Phantom: SAM_Right; Type: QD000P40CD; Serial: TP:1681
- Measurement SW: DASY52, Version 52.10 (4);SEMCAD X Version 14.6.14 (7501)

Pin=100mW/Area Scan (71x71x1): Interpolated grid: dx=1.000 mm, dy=1.000 mm
Maximum value of SAR (interpolated) = 21.9 W/kg

Pin=100mW/Zoom Scan (7x7x7)/Cube 0: Measurement grid: dx=4mm, dy=4mm, dz=1.4mm
Reference Value = 59.69 V/m; Power Drift = 0.08 dB
Peak SAR (extrapolated) = 38.6 W/kg
SAR(1 g) = 8.36 W/kg; SAR(10 g) = 2.35 W/kg
Maximum value of SAR (measured) = 22.0 W/kg



0 dB = 22.0 W/kg = 13.42 dBW/kg

System Check_Head_5750MHz

DUT: D5GHzV2-1006

Communication System: CW; Frequency: 5750 MHz; Duty Cycle: 1:1

Medium: HSL_5G_211227 Medium parameters used: $f = 5750$ MHz; $\sigma = 5.139$ S/m; $\epsilon_r = 35.326$; $\rho = 1000$ kg/m³

Ambient Temperature : 23.3 °C ; Liquid Temperature : 22.3 °C

DASY5 Configuration:

- Probe: EX3DV4 - SN3642; ConvF(4.18, 4.18, 4.18) @ 5750 MHz; Calibrated: 2021/4/26
- Sensor-Surface: 1.4mm (Mechanical Surface Detection)
- Electronics: DAE4 Sn699; Calibrated: 2021/2/16
- Phantom: SAM_Right; Type: QD000P40CD; Serial: TP:1681
- Measurement SW: DASY52, Version 52.10 (4); SEMCAD X Version 14.6.14 (7501)

Pin=100mW/Area Scan (71x71x1): Interpolated grid: dx=1.000 mm, dy=1.000 mm

Maximum value of SAR (interpolated) = 20.1 W/kg

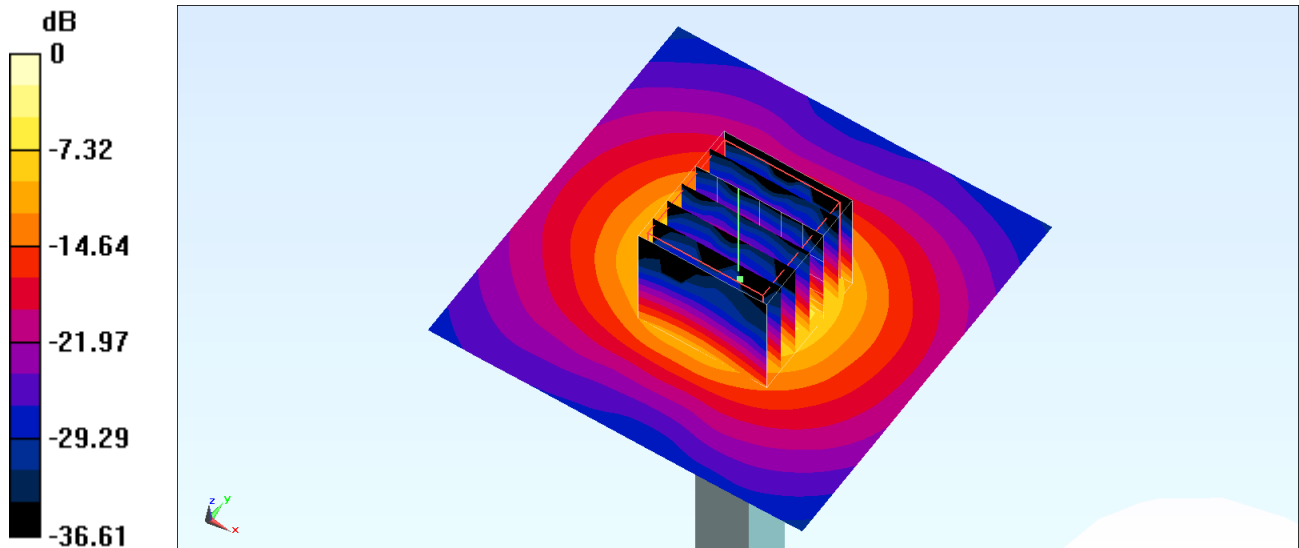
Pin=100mW/Zoom Scan (7x7x7)/Cube 0: Measurement grid: dx=4mm, dy=4mm, dz=1.4mm

Reference Value = 69.40 V/m; Power Drift = -0.05 dB

Peak SAR (extrapolated) = 35.3 W/kg

SAR(1 g) = 7.69 W/kg; SAR(10 g) = 2.11 W/kg

Maximum value of SAR (measured) = 19.3 W/kg



0 dB = 19.3 W/kg = 12.86 dBW/kg

System Check_Head_5750MHz

DUT: D5GHzV2-1006

Communication System: CW ; Frequency: 5750 MHz;Duty Cycle: 1:1

Medium: HSL_5G_211229 Medium parameters used: $f = 5750$ MHz; $\sigma = 5.138$ S/m; $\epsilon_r = 35.317$; $\rho = 1000$ kg/m³

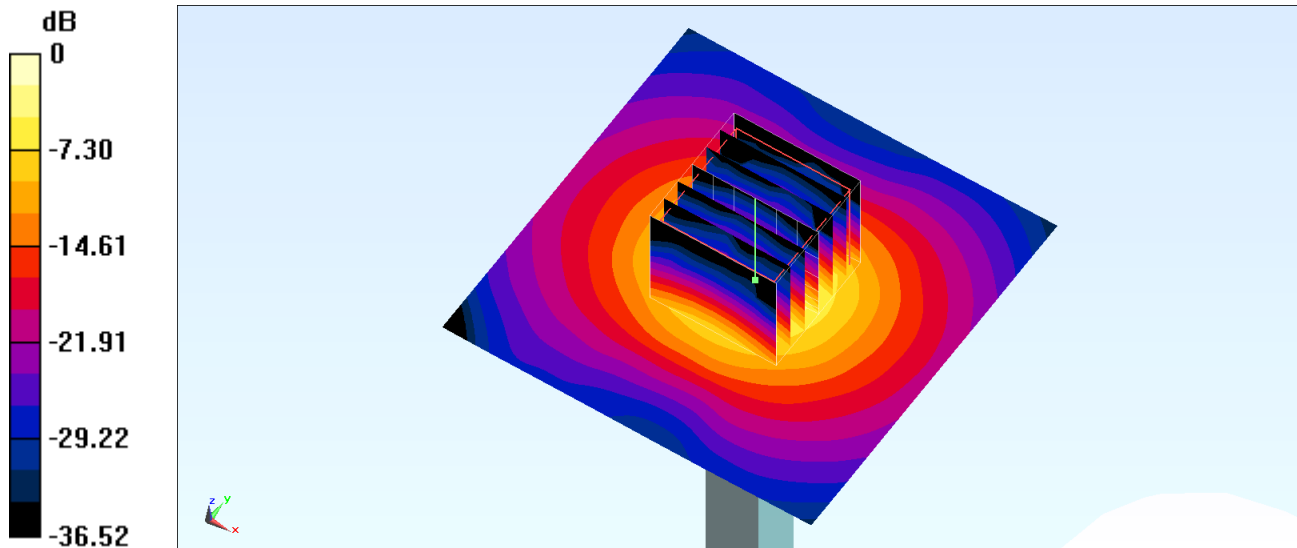
Ambient Temperature : 23.3 °C ; Liquid Temperature : 22.3 °C

DASY5 Configuration:

- Probe: EX3DV4 - SN3642; ConvF(4.18, 4.18, 4.18) @ 5750 MHz; Calibrated: 2021/4/26
- Sensor-Surface: 1.4mm (Mechanical Surface Detection)
- Electronics: DAE4 Sn656; Calibrated: 2021/1/22
- Phantom: SAM_Right; Type: QD000P40CD; Serial: TP:1681
- Measurement SW: DASY52, Version 52.10 (4);SEMCAD X Version 14.6.14 (7501)

Pin=100mW/Area Scan (71x71x1): Interpolated grid: dx=1.000 mm, dy=1.000 mm
Maximum value of SAR (interpolated) = 21.9 W/kg

Pin=100mW/Zoom Scan (7x7x7)/Cube 0: Measurement grid: dx=4mm, dy=4mm, dz=1.4mm
Reference Value = 73.06 V/m; Power Drift = -0.04 dB
Peak SAR (extrapolated) = 39.1 W/kg
SAR(1 g) = 8.43 W/kg; SAR(10 g) = 2.37 W/kg
Maximum value of SAR (measured) = 22.5 W/kg



0 dB = 22.5 W/kg = 13.52 dBW/kg

System Check_Head_5750MHz

DUT: D5GHzV2-1006

Communication System: CW ; Frequency: 5750 MHz;Duty Cycle: 1:1

Medium: HSL_5G_211231 Medium parameters used: $f = 5750$ MHz; $\sigma = 5.381$ S/m; $\epsilon_r = 36.249$; $\rho = 1000$ kg/m³

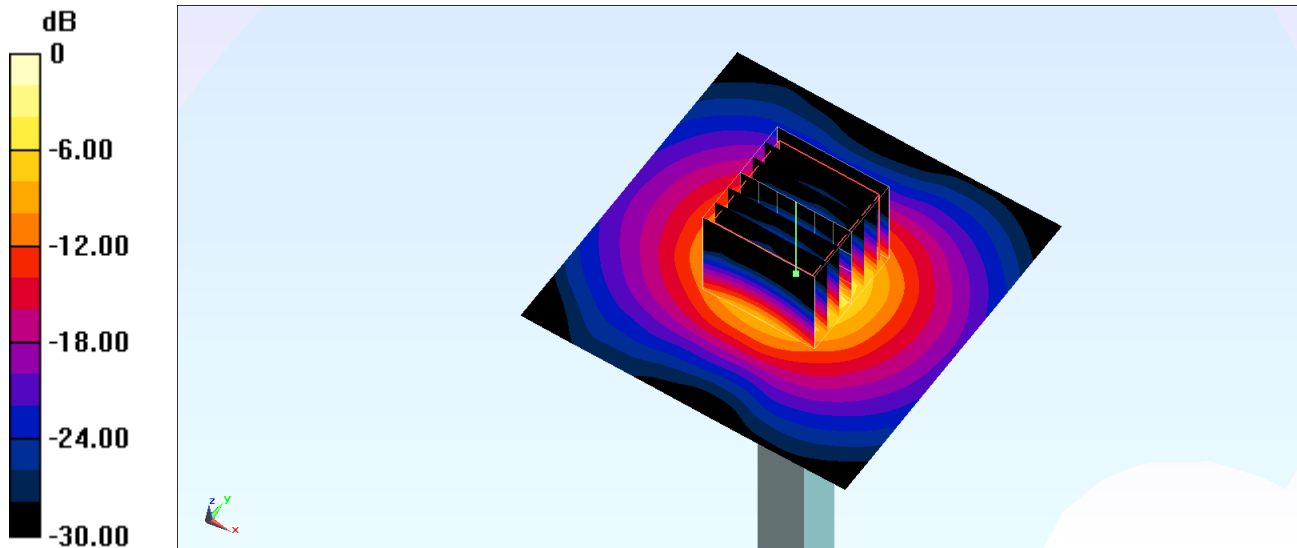
Ambient Temperature : 23.5 °C ; Liquid Temperature : 22.5 °C

DASY5 Configuration:

- Probe: EX3DV4 - SN3642; ConvF(4.18, 4.18, 4.18) @ 5750 MHz; Calibrated: 2021/4/26
- Sensor-Surface: 1.4mm (Mechanical Surface Detection)
- Electronics: DAE4 Sn656; Calibrated: 2021/1/22
- Phantom: SAM_Right; Type: QD000P40CD; Serial: TP:1681
- Measurement SW: DASY52, Version 52.10 (4);SEMCAD X Version 14.6.14 (7501)

Pin=100mW/Area Scan (71x71x1): Interpolated grid: dx=1.000 mm, dy=1.000 mm
Maximum value of SAR (interpolated) = 22.9 W/kg

Pin=100mW/Zoom Scan (7x7x7)/Cube 0: Measurement grid: dx=4mm, dy=4mm, dz=1.4mm
Reference Value = 73.06 V/m; Power Drift = -0.04 dB
Peak SAR (extrapolated) = 41.0 W/kg
SAR(1 g) = 8.83 W/kg; SAR(10 g) = 2.48 W/kg
Maximum value of SAR (measured) = 23.6 W/kg



0 dB = 23.6 W/kg = 13.73 dBW/kg

System Check_Head_5750MHz

DUT: D5GHzV2-1006

Communication System: CW ; Frequency: 5750 MHz;Duty Cycle: 1:1

Medium: HSL_5G_220102 Medium parameters used: $f = 5750$ MHz; $\sigma = 5.408$ S/m; $\epsilon_r = 36.382$; $\rho = 1000$ kg/m³

Ambient Temperature : 23.1 °C ; Liquid Temperature : 22.1 °C

DASY5 Configuration:

- Probe: EX3DV4 - SN3642; ConvF(4.18, 4.18, 4.18) @ 5750 MHz; Calibrated: 2021/4/26
- Sensor-Surface: 1.4mm (Mechanical Surface Detection)
- Electronics: DAE4 Sn656; Calibrated: 2021/1/22
- Phantom: SAM_Right; Type: QD000P40CD; Serial: TP:1681
- Measurement SW: DASY52, Version 52.10 (4);SEMCAD X Version 14.6.14 (7501)

Pin=100mW/Area Scan (71x71x1): Interpolated grid: dx=1.000 mm, dy=1.000 mm

Maximum value of SAR (interpolated) = 23.0 W/kg

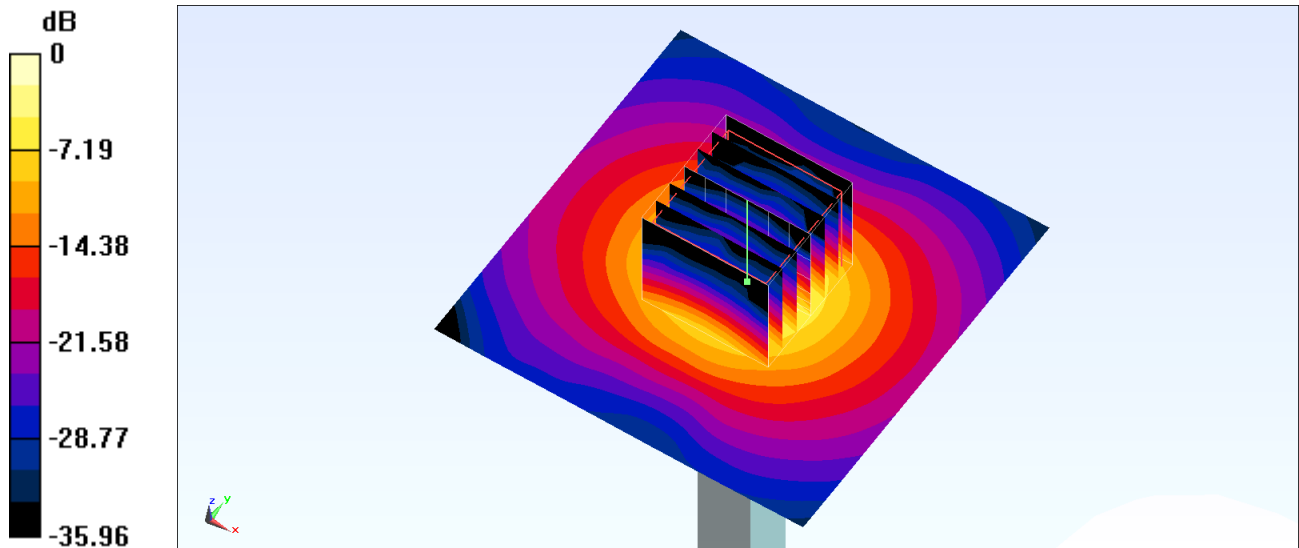
Pin=100mW/Zoom Scan (7x7x7)/Cube 0: Measurement grid: dx=4mm, dy=4mm, dz=1.4mm

Reference Value = 73.06 V/m; Power Drift = -0.04 dB

Peak SAR (extrapolated) = 41.2 W/kg

SAR(1 g) = 8.69 W/kg; SAR(10 g) = 2.45 W/kg

Maximum value of SAR (measured) = 23.7 W/kg



0 dB = 23.7 W/kg = 13.75 dBW/kg

System Check_Head_5750MHz

DUT: D5GHzV2-1006

Communication System: CW ; Frequency: 5750 MHz;Duty Cycle: 1:1

Medium: HSL_5G_220104 Medium parameters used: $f = 5750$ MHz; $\sigma = 5.407$ S/m; $\epsilon_r = 36.37$; $\rho = 1000$ kg/m³

Ambient Temperature : 23.3 °C ; Liquid Temperature : 22.3 °C

DASY5 Configuration:

- Probe: EX3DV4 - SN3642; ConvF(4.18, 4.18, 4.18) @ 5750 MHz; Calibrated: 2021/4/26
- Sensor-Surface: 1.4mm (Mechanical Surface Detection)
- Electronics: DAE4 Sn656; Calibrated: 2021/1/22
- Phantom: SAM_Right; Type: QD000P40CD; Serial: TP:1681
- Measurement SW: DASY52, Version 52.10 (4);SEMCAD X Version 14.6.14 (7501)

Pin=100mW/Area Scan (71x71x1): Interpolated grid: dx=1.000 mm, dy=1.000 mm

Maximum value of SAR (interpolated) = 22.4 W/kg

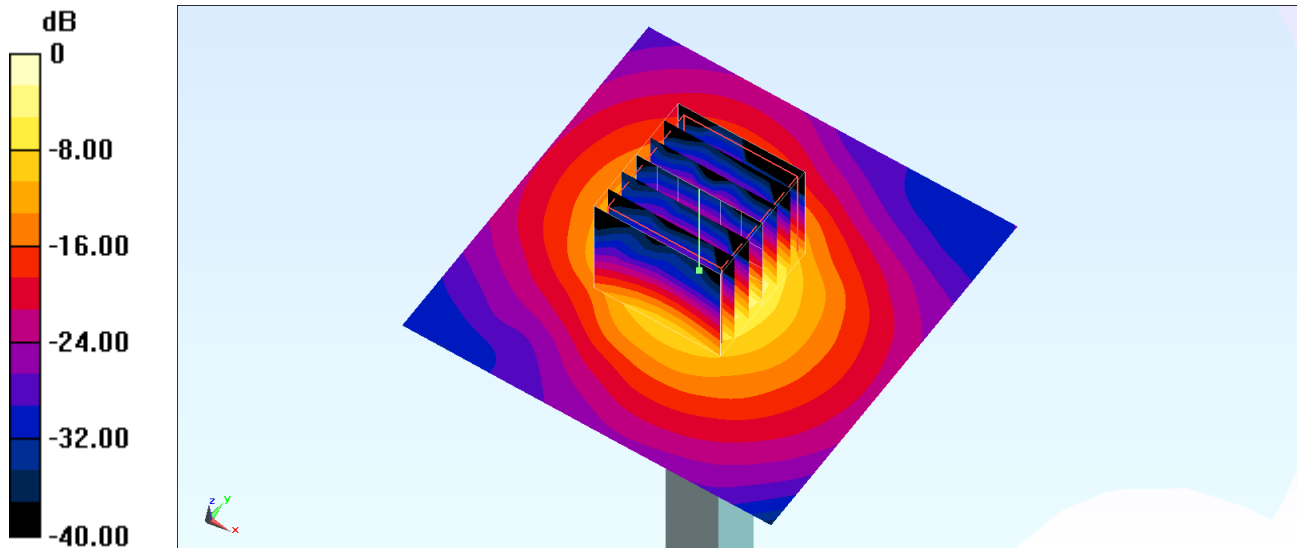
Pin=100mW/Zoom Scan (7x7x7)/Cube 0: Measurement grid: dx=4mm, dy=4mm, dz=1.4mm

Reference Value = 73.38 V/m; Power Drift = 0.09 dB

Peak SAR (extrapolated) = 43.4 W/kg

SAR(1 g) = 8.91 W/kg; SAR(10 g) = 2.49 W/kg

Maximum value of SAR (measured) = 24.2 W/kg



0 dB = 24.2 W/kg = 13.84 dBW/kg

System Check_Head_5750MHz

DUT: D5GHzV2-1006

Communication System: CW; Frequency: 5750 MHz; Duty Cycle: 1:1

Medium: HSL_5G_220106 Medium parameters used: $f = 5750$ MHz; $\sigma = 5.328$ S/m; $\epsilon_r = 36.834$; $\rho = 1000$ kg/m³

Ambient Temperature : 23.4 °C ; Liquid Temperature : 22.4 °C

DASY5 Configuration:

- Probe: EX3DV4 - SN7346; ConvF(4.87, 4.87, 4.87) @ 5750 MHz; Calibrated: 2021/6/25
- Sensor-Surface: 1.4mm (Mechanical Surface Detection)
- Electronics: DAE4 Sn1512; Calibrated: 2021/2/11
- Phantom: SAM_Left; Type: SAM; Serial: TP:1479
- Measurement SW: DASY52, Version 52.10 (4); SEMCAD X Version 14.6.14 (7483)

Pin=100mW/Area Scan (71x71x1): Interpolated grid: dx=1.000 mm, dy=1.000 mm

Maximum value of SAR (interpolated) = 19.7 W/kg

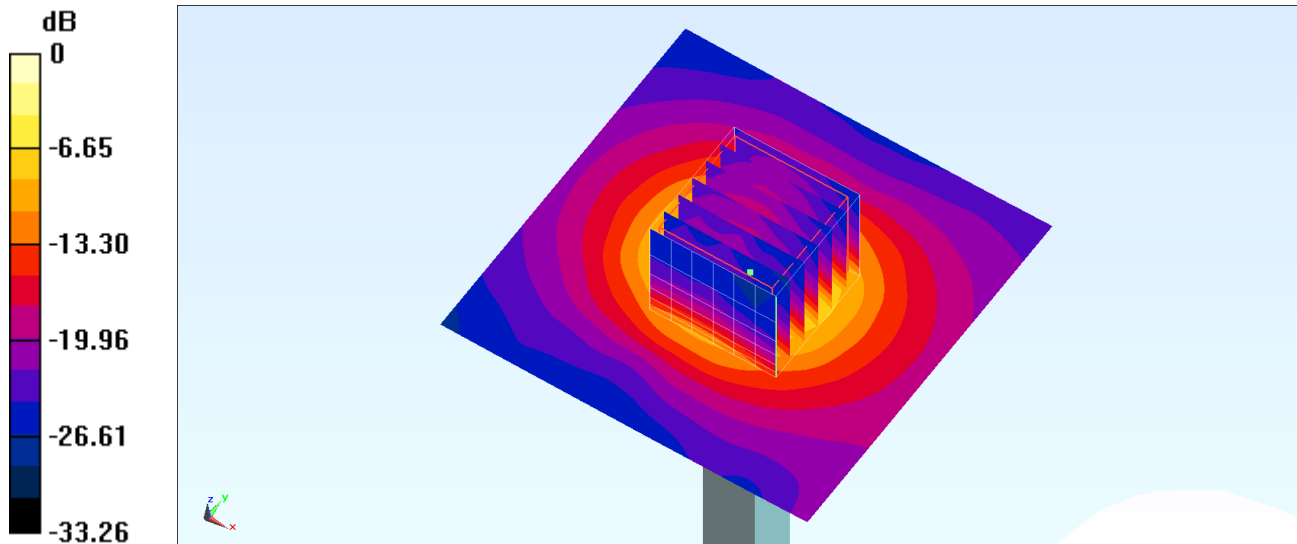
Pin=100mW/Zoom Scan (7x7x7)/Cube 0: Measurement grid: dx=4mm, dy=4mm, dz=1.4mm

Reference Value = 68.55 V/m; Power Drift = -0.09 dB

Peak SAR (extrapolated) = 33.4 W/kg

SAR(1 g) = 7.96 W/kg; SAR(10 g) = 2.23 W/kg

Maximum value of SAR (measured) = 20.3 W/kg



0 dB = 20.3 W/kg = 13.07 dBW/kg

System Check_Head_5750MHz

DUT: D5GHzV2-1006

Communication System: CW; Frequency: 5750 MHz; Duty Cycle: 1:1

Medium: HSL_5G_220107 Medium parameters used: $f = 5750$ MHz; $\sigma = 5.175$ S/m; $\epsilon_r = 36.52$; $\rho = 1000$ kg/m³

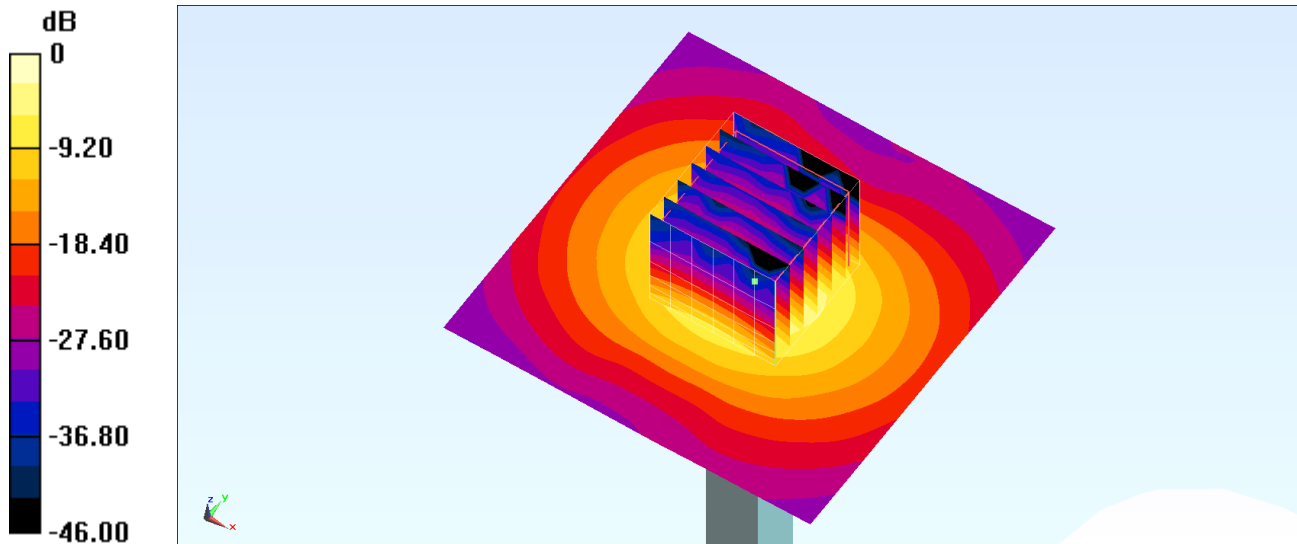
Ambient Temperature : 23.4 °C ; Liquid Temperature : 22.4 °C

DASY5 Configuration:

- Probe: EX3DV4 - SN7306; ConvF(4.95, 4.95, 4.95) @ 5750 MHz; Calibrated: 2021/7/26
- Sensor-Surface: 1.4mm (Mechanical Surface Detection)
- Electronics: DAE4 Sn1512; Calibrated: 2021/2/11
- Phantom: SAM_Left; Type: SAM; Serial: TP:1477
- Measurement SW: DASY52, Version 52.10 (4); SEMCAD X Version 14.6.14 (7483)

Pin=100mW/Area Scan (71x71x1): Interpolated grid: dx=1.000 mm, dy=1.000 mm
Maximum value of SAR (interpolated) = 22.6 W/kg

Pin=100mW/Zoom Scan (7x7x7)/Cube 0: Measurement grid: dx=4mm, dy=4mm, dz=1.4mm
Reference Value = 69.51 V/m; Power Drift = 0.06 dB
Peak SAR (extrapolated) = 36.2 W/kg
SAR(1 g) = 8.15 W/kg; SAR(10 g) = 2.34 W/kg
Maximum value of SAR (measured) = 21.4 W/kg



0 dB = 21.4 W/kg = 13.30 dBW/kg

System Check_Head_5850MHz

DUT: D5GHzV2-1171

Communication System: CW ; Frequency: 5850 MHz;Duty Cycle: 1:1

Medium: HSL_5G_211227 Medium parameters used : $f = 5850$ MHz; $\sigma = 5.239$ S/m; $\epsilon_r = 35.189$; $\rho = 1000$ kg/m³

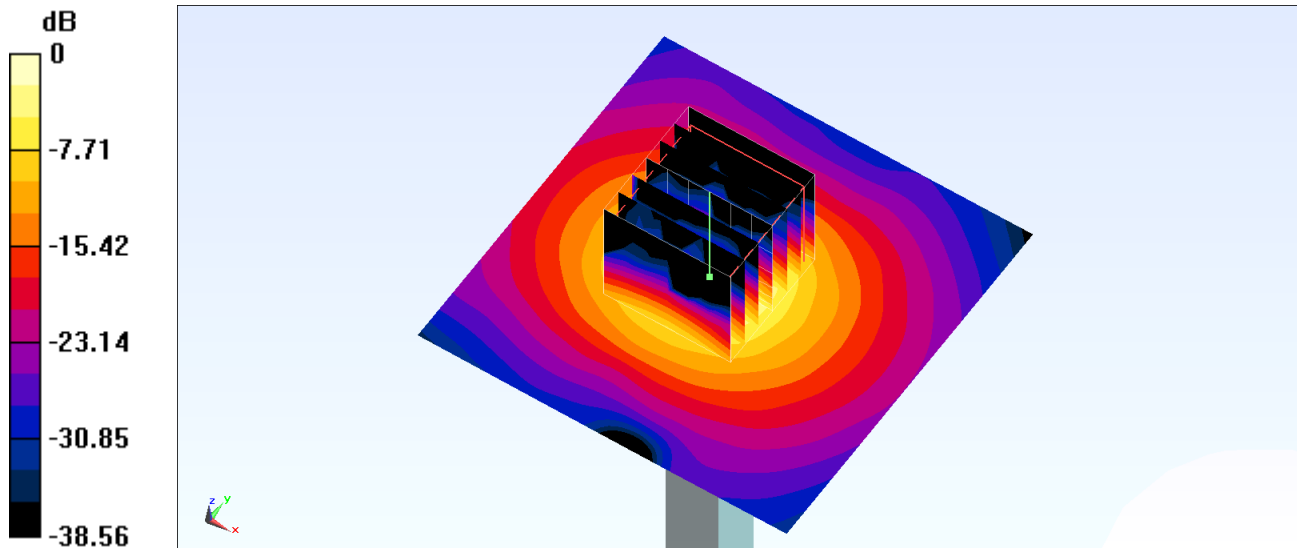
Ambient Temperature : 23.3 °C ; Liquid Temperature : 22.3 °C

DASY5 Configuration:

- Probe: EX3DV4 - SN3642; ConvF(4.18, 4.18, 4.18) @ 5850 MHz; Calibrated: 2021/4/26
- Sensor-Surface: 1.4mm (Mechanical Surface Detection)
- Electronics: DAE4 Sn699; Calibrated: 2021/2/16
- Phantom: SAM_Right; Type: QD000P40CD; Serial: TP:1681
- Measurement SW: DASY52, Version 52.10 (4);SEMCAD X Version 14.6.14 (7501)

Pin=100mW/Area Scan (71x71x1): Interpolated grid: dx=1.000 mm, dy=1.000 mm
Maximum value of SAR (interpolated) = 18.9 W/kg

Pin=100mW/Zoom Scan (7x7x7)/Cube 0: Measurement grid: dx=4mm, dy=4mm, dz=1.4mm
Reference Value = 64.49 V/m; Power Drift = 0.04 dB
Peak SAR (extrapolated) = 35.5 W/kg
SAR(1 g) = 7.62 W/kg; SAR(10 g) = 2.15 W/kg
Maximum value of SAR (measured) = 19.8 W/kg



0 dB = 19.8 W/kg = 12.97 dBW/kg

System Check_Head_5850MHz

DUT: D5GHzV2-1171

Communication System: CW ; Frequency: 5850 MHz;Duty Cycle: 1:1

Medium: HSL_5G_211229 Medium parameters used : $f = 5850$ MHz; $\sigma = 5.238$ S/m; $\epsilon_r = 35.18$; $\rho = 1000$ kg/m³

Ambient Temperature : 23.3 °C ; Liquid Temperature : 22.3 °C

DASY5 Configuration:

- Probe: EX3DV4 - SN3642; ConvF(4.18, 4.18, 4.18) @ 5850 MHz; Calibrated: 2021/4/26
- Sensor-Surface: 1.4mm (Mechanical Surface Detection)
- Electronics: DAE4 Sn656; Calibrated: 2021/1/22
- Phantom: SAM_Right; Type: QD000P40CD; Serial: TP:1681
- Measurement SW: DASY52, Version 52.10 (4);SEMCAD X Version 14.6.14 (7501)

Pin=100mW/Area Scan (71x71x1): Interpolated grid: dx=1.000 mm, dy=1.000 mm

Maximum value of SAR (interpolated) = 19.7 W/kg

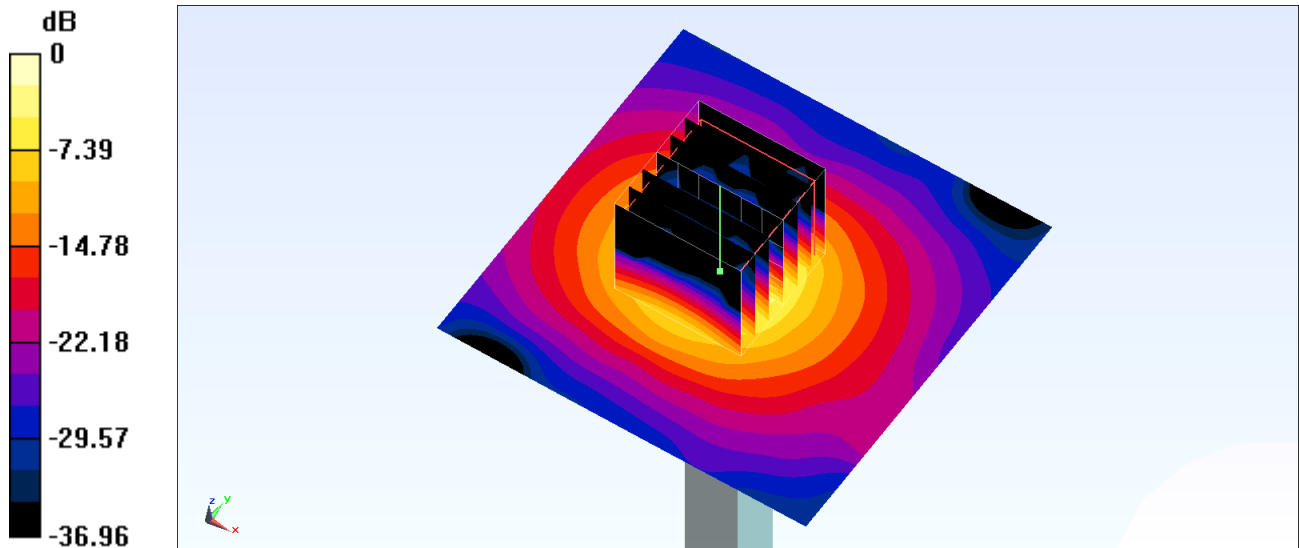
Pin=100mW/Zoom Scan (7x7x7)/Cube 0: Measurement grid: dx=4mm, dy=4mm, dz=1.4mm

Reference Value = 62.70 V/m; Power Drift = 0.05 dB

Peak SAR (extrapolated) = 37.0 W/kg

SAR(1 g) = 7.56 W/kg; SAR(10 g) = 2.11 W/kg

Maximum value of SAR (measured) = 20.8 W/kg



0 dB = 20.8 W/kg = 13.18 dBW/kg

System Check_Head_5850MHz

DUT: D5GHzV2-1171

Communication System: CW ; Frequency: 5850 MHz;Duty Cycle: 1:1

Medium: HSL_5G_220102 Medium parameters used : $f = 5850$ MHz; $\sigma = 5.523$ S/m; $\epsilon_r = 36.22$; $\rho = 1000$ kg/m³

Ambient Temperature : 23.1 °C ; Liquid Temperature : 22.1 °C

DASY5 Configuration:

- Probe: EX3DV4 - SN3642; ConvF(4.18, 4.18, 4.18) @ 5850 MHz; Calibrated: 2021/4/26
- Sensor-Surface: 1.4mm (Mechanical Surface Detection)
- Electronics: DAE4 Sn656; Calibrated: 2021/1/22
- Phantom: SAM_Right; Type: QD000P40CD; Serial: TP:1681
- Measurement SW: DASY52, Version 52.10 (4);SEMCAD X Version 14.6.14 (7501)

Pin=100mW/Area Scan (71x71x1): Interpolated grid: dx=1.000 mm, dy=1.000 mm

Maximum value of SAR (interpolated) = 22.5 W/kg

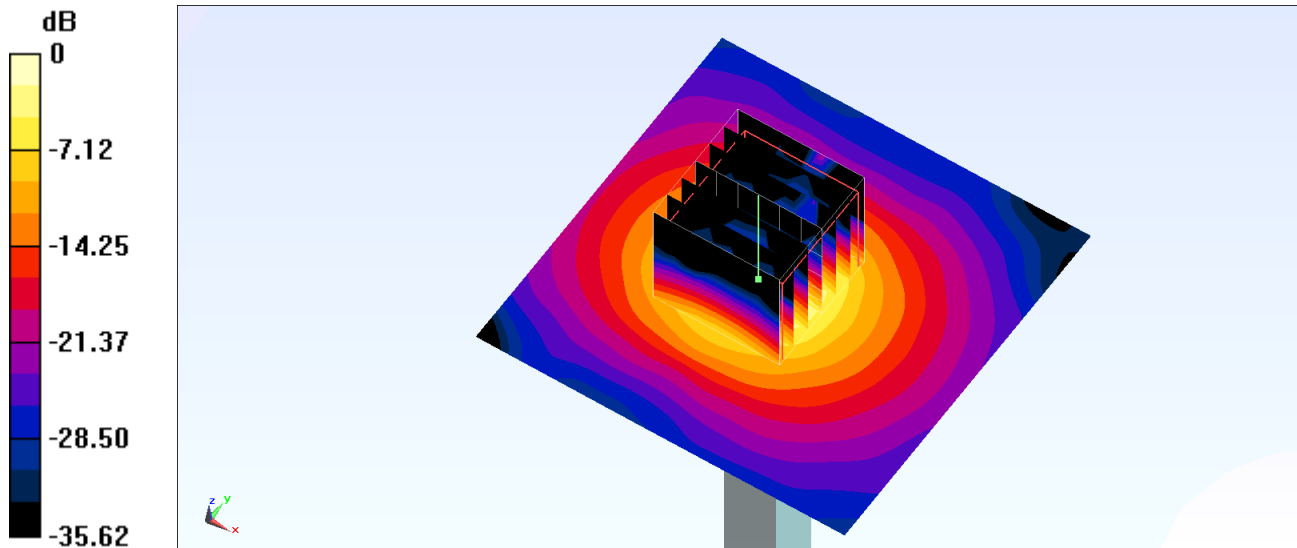
Pin=100mW/Zoom Scan (7x7x7)/Cube 0: Measurement grid: dx=4mm, dy=4mm, dz=1.4mm

Reference Value = 69.11 V/m; Power Drift = -0.13 dB

Peak SAR (extrapolated) = 40.3 W/kg

SAR(1 g) = 8.24 W/kg; SAR(10 g) = 2.3 W/kg

Maximum value of SAR (measured) = 22.3 W/kg



0 dB = 22.3 W/kg = 13.48 dBW/kg

System Check_Head_5850MHz

DUT: D5GHzV2-1171

Communication System: CW ; Frequency: 5850 MHz;Duty Cycle: 1:1

Medium: HSL_5G_220104 Medium parameters used : $f = 5850$ MHz; $\sigma = 5.521$ S/m; $\epsilon_r = 36.207$; $\rho = 1000$ kg/m³

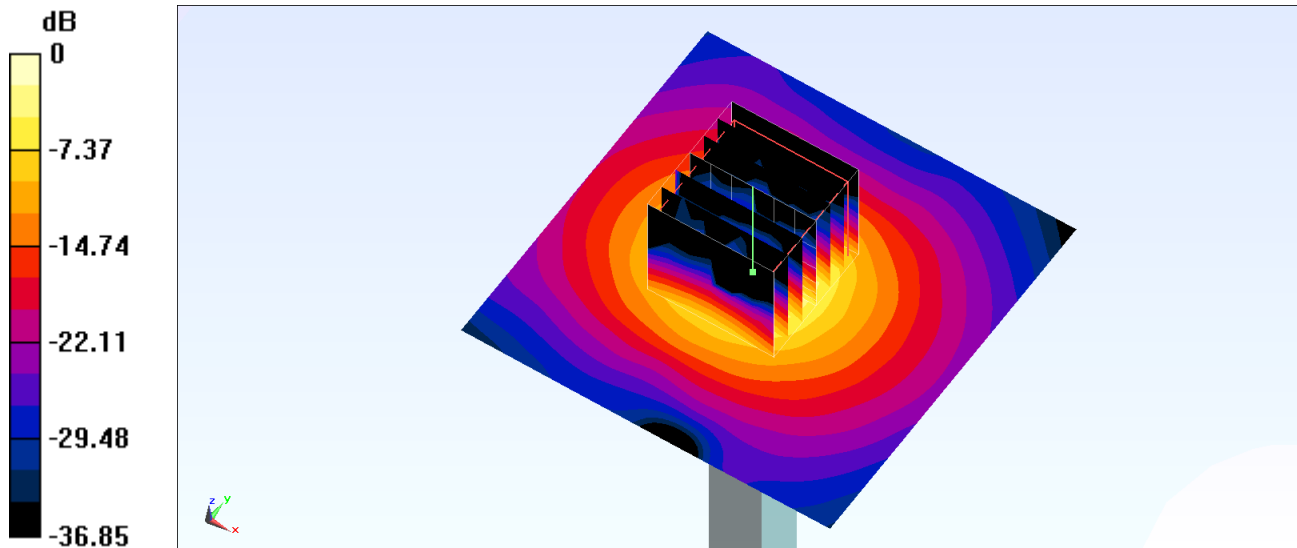
Ambient Temperature : 23.3 °C ; Liquid Temperature : 22.3 °C

DASY5 Configuration:

- Probe: EX3DV4 - SN3642; ConvF(4.18, 4.18, 4.18) @ 5850 MHz; Calibrated: 2021/4/26
- Sensor-Surface: 1.4mm (Mechanical Surface Detection)
- Electronics: DAE4 Sn656; Calibrated: 2021/1/22
- Phantom: SAM_Right; Type: QD000P40CD; Serial: TP:1681
- Measurement SW: DASY52, Version 52.10 (4);SEMCAD X Version 14.6.14 (7501)

Pin=100mW/Area Scan (71x71x1): Interpolated grid: dx=1.000 mm, dy=1.000 mm
Maximum value of SAR (interpolated) = 20.0 W/kg

Pin=100mW/Zoom Scan (7x7x7)/Cube 0: Measurement grid: dx=4mm, dy=4mm, dz=1.4mm
Reference Value = 64.58 V/m; Power Drift = 0.13 dB
Peak SAR (extrapolated) = 37.5 W/kg
SAR(1 g) = 7.73 W/kg; SAR(10 g) = 2.16 W/kg
Maximum value of SAR (measured) = 20.9 W/kg



0 dB = 20.9 W/kg = 13.20 dBW/kg

System Check_Head_6500MHz

Communication System: ; Frequency: 6500.0

Medium: HSL_6G_220102 Medium parameters used: $f= 6500.0$ MHz; $\sigma= 5.91$ S/m; $\epsilon_r = 33.45$

Ambient Temperature: 23.1°C; Liquid Temperature: 22.1°C

DASY6 Configuration:

- Probe: EX3DV4 - SN3728; ConvF(4.95, 4.95, 4.95); Calibrated: 2021-02-23
- Sensor-Surface: 1.4 mm
- Electronics: DAE3 Sn577; Calibrated: 2021-09-15
- Phantom: Twin-SAM V4.0 (30deg probe tilt); Serial: 1488; Section: Flat
- Measurement Software: cDASY6 V6.6.0.13926
- UID: CW
- MAIA: Area Scan: N/A; Zoom Scan: N/A

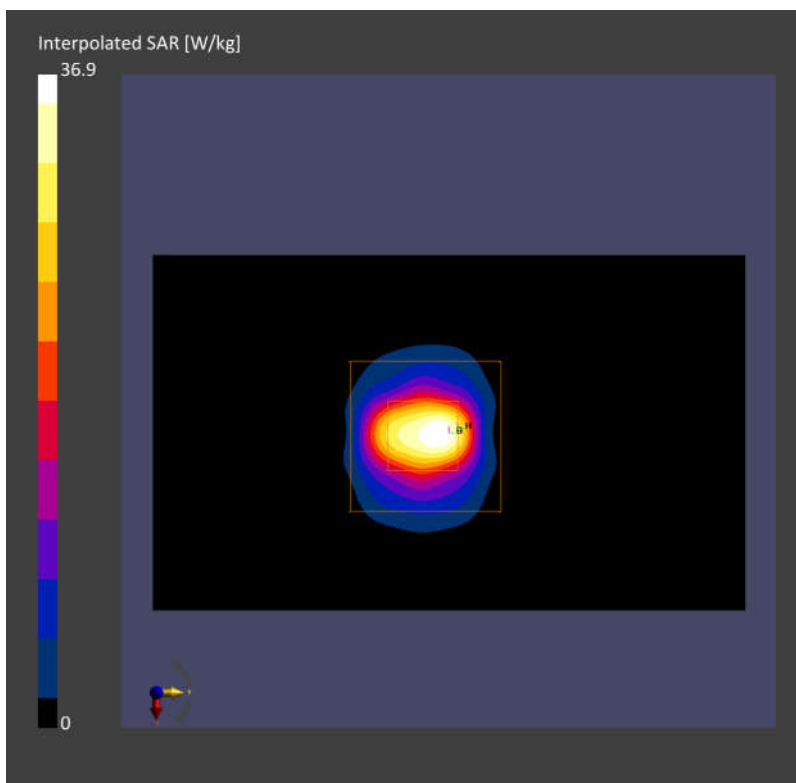
Area Scan (51.0 mm x 85.0 mm): Measurement Grid: 8.5 mm x 8.5 mm

SAR (1g) = 24.4 W/kg; SAR (10g) = 5.34 W/kg;

Zoom Scan (23.8 mm x 23.8 mm x 22.0 mm): Measurement Grid: 3.4 mm x 3.4 mm x 1.4 mm

Power Drift = 0.02 dB

SAR (1g) = 31.8 W/kg; SAR (10g) = 5.91 W/kg;



System Check_Head_6500MHz

Communication System: ; Frequency: 6500.0

Medium: HSL_6G_220113 Medium parameters used: $f= 6500.0$ MHz; $\sigma= 6.01$ S/m; $\epsilon_r = 34.29$

Ambient Temperature: 23.5°C; Liquid Temperature: 22.5°C

DASY6 Configuration:

- Probe: EX3DV4 - SN3728; ConvF(4.95, 4.95, 4.95); Calibrated: 2021-02-23
- Sensor-Surface: 1.4 mm
- Electronics: DAE3 Sn577; Calibrated: 2021-09-15
- Phantom: Twin-SAM V4.0 (30deg probe tilt); Serial: 1488; Section: Flat
- Measurement Software: cDASY6 V6.6.0.13926
- UID: CW
- MAIA: Area Scan: N/A; Zoom Scan: N/A

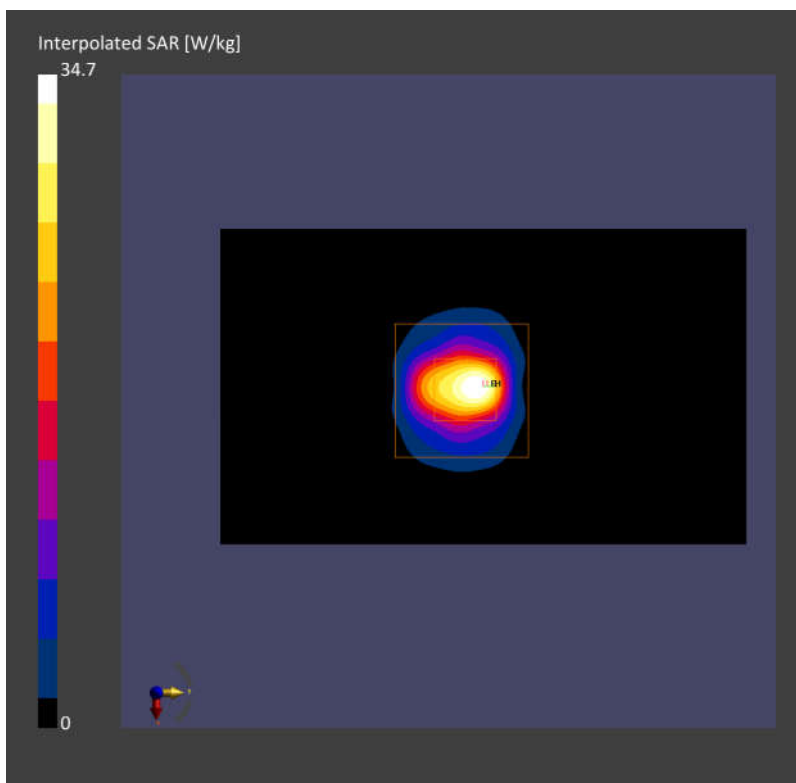
Area Scan (51.0 mm x 85.0 mm): Measurement Grid: 8.5 mm x 8.5 mm

SAR (1g) = 21.9 W/kg; SAR (10g) = 4.76 W/kg;

Zoom Scan (23.8 mm x 23.8 mm x 22.0 mm): Measurement Grid: 3.4 mm x 3.4 mm x 1.4 mm

Power Drift = 0.00 dB

SAR (1g) = 28.1 W/kg; SAR (10g) = 5.27 W/kg;



Measurement Report for Device

Device Under Test Properties

Model, Manufacturer	Dimensions [mm]	IMEI	DUT Type
Device,	70.0 x 50.0 x 8.0		5G Verification Source

Exposure Conditions

Phantom Section	Position, Test Distance [mm]	Frequency [MHz]	Conversion Factor
5G	FRONT, 10.00	10000.0	1.0

Hardware Setup

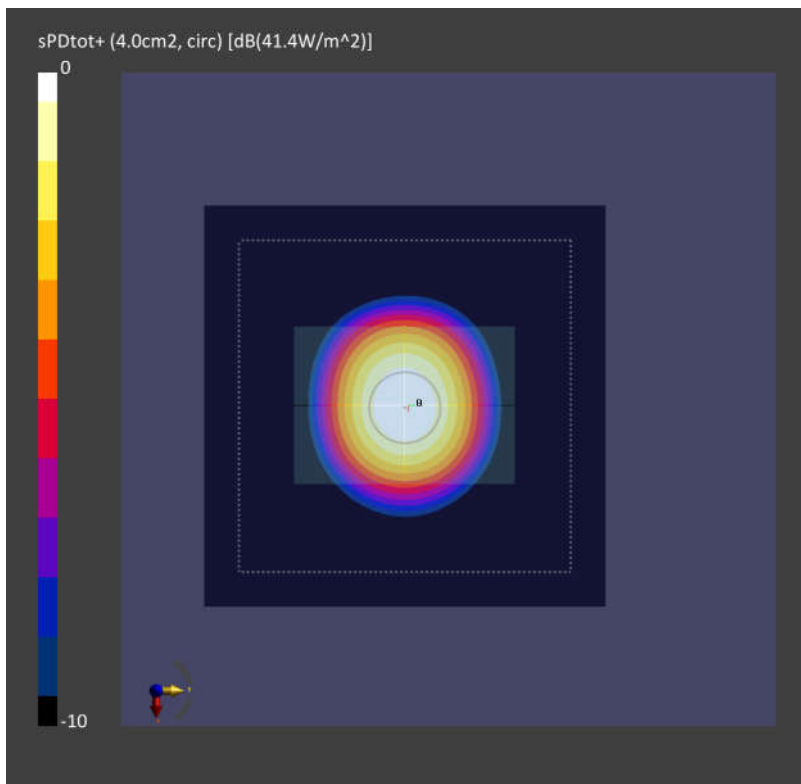
Phantom	Medium	Probe, Calibration Date	DAE, Calibration Date
mmWave - 1044	Air -	EUmmWV3 - SN9424_F1-55GHz, 2021-03-23	DAE3 Sn577, 2021-09-15

Scans Setup

Scan Type	5G Scan
Grid Extents [mm]	120.0 x 120.0
Grid Steps [lambda]	0.25 x 0.25
Sensor Surface [mm]	10.0

Measurement Results

Date	2021-12-24, 16:13
Avg. Area [cm ²]	4.00
psPDn+ [W/m ²]	41.3
psPDtot+ [W/m ²]	41.4
H _{max} [A/m]	0.364
E _{max} [V/m]	134
max _(Stot) [W/m ²]	48.3
Power Drift [dB]	0.05



Measurement Report for Device

Device Under Test Properties

Model, Manufacturer	Dimensions [mm]	IMEI	DUT Type
Device,	70.0 x 50.0 x 8.0		5G Verification Source

Exposure Conditions

Phantom Section	Position, Test Distance [mm]	Frequency [MHz]	Conversion Factor
5G	FRONT, 10.00	10000.0	1.0

Hardware Setup

Phantom	Medium	Probe, Calibration Date	DAE, Calibration Date
mmWave - 1044	Air -	EUmmWV3 - SN9424_F1-55GHz, 2021-03-23	DAE3 Sn577, 2021-09-15

Scans Setup

Scan Type	5G Scan
Grid Extents [mm]	120.0 x 120.0
Grid Steps [lambda]	0.25 x 0.25
Sensor Surface [mm]	10.0

Measurement Results

Date	2021-01-12, 08:32
Avg. Area [cm ²]	4.00
psPDn+ [W/m ²]	39.2
psPDtot+ [W/m ²]	39.2
H _{max} [A/m]	0.339
E _{max} [V/m]	131
max _(Stot) [W/m ²]	43.3
Power Drift [dB]	-0.01

